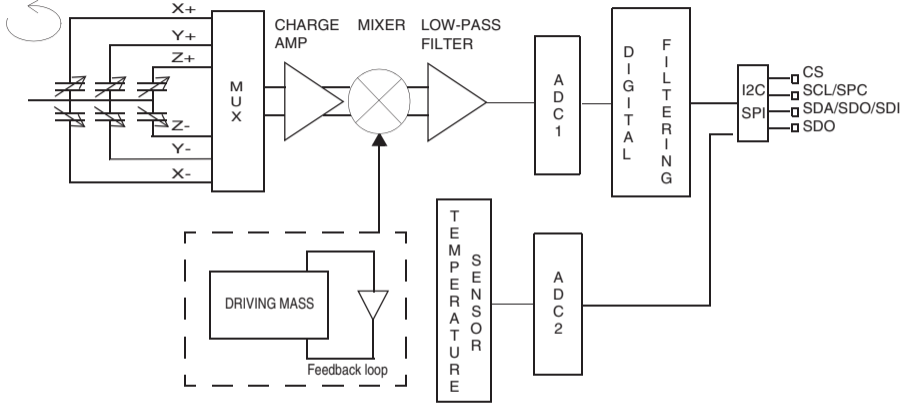


$+\vec{\Omega}_{x,y,z}$



CS
SCL/SPC
SDA/SDO/SDI
SDO

