



Figure 2. Oscillator circuit schematic

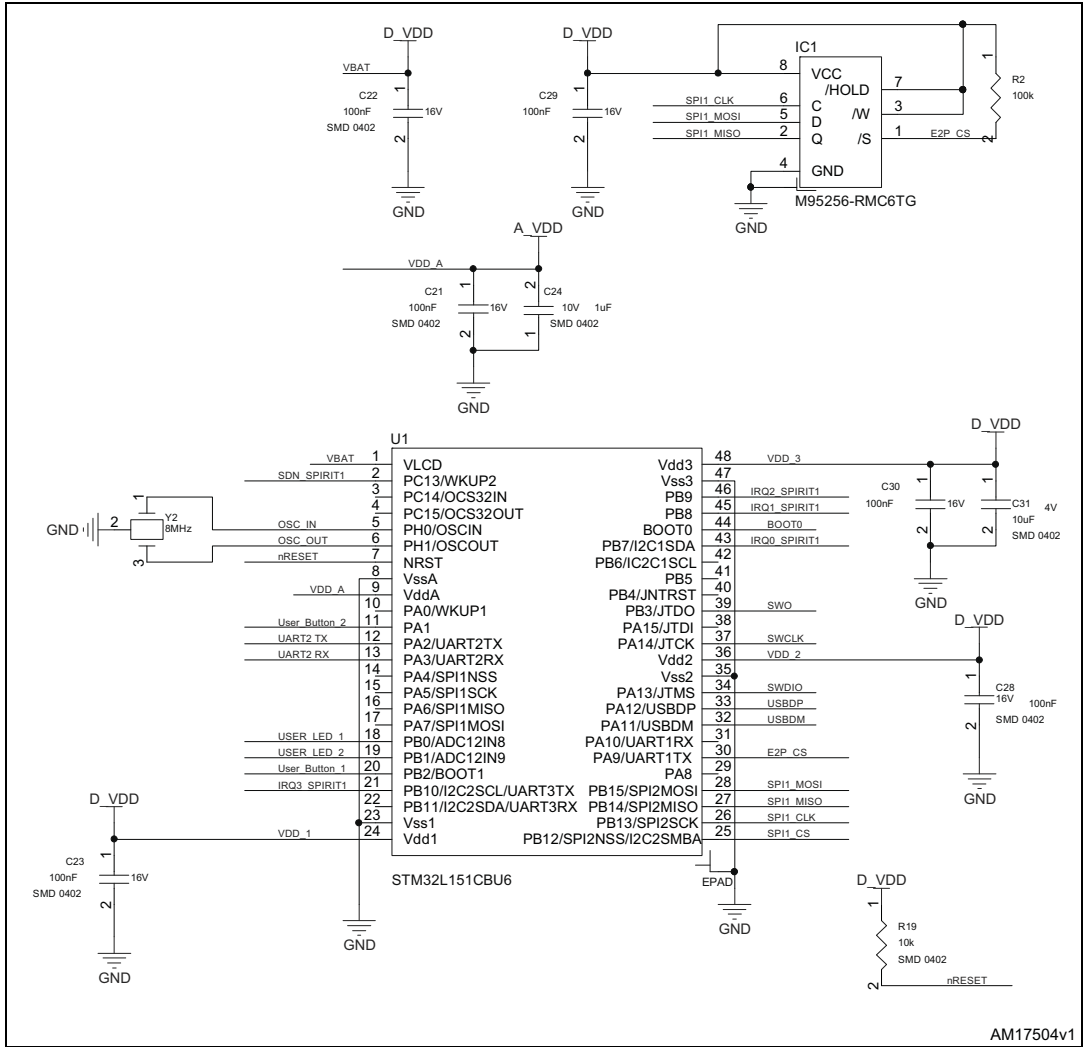


Figure 3. SWD circuit schematic

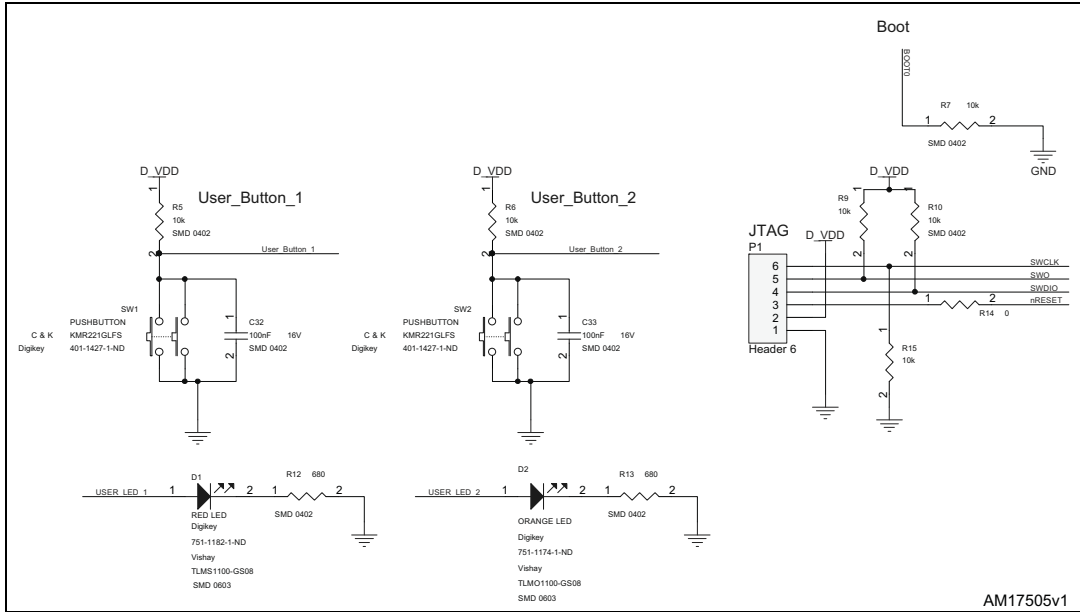


Figure 4. USB circuit schematic

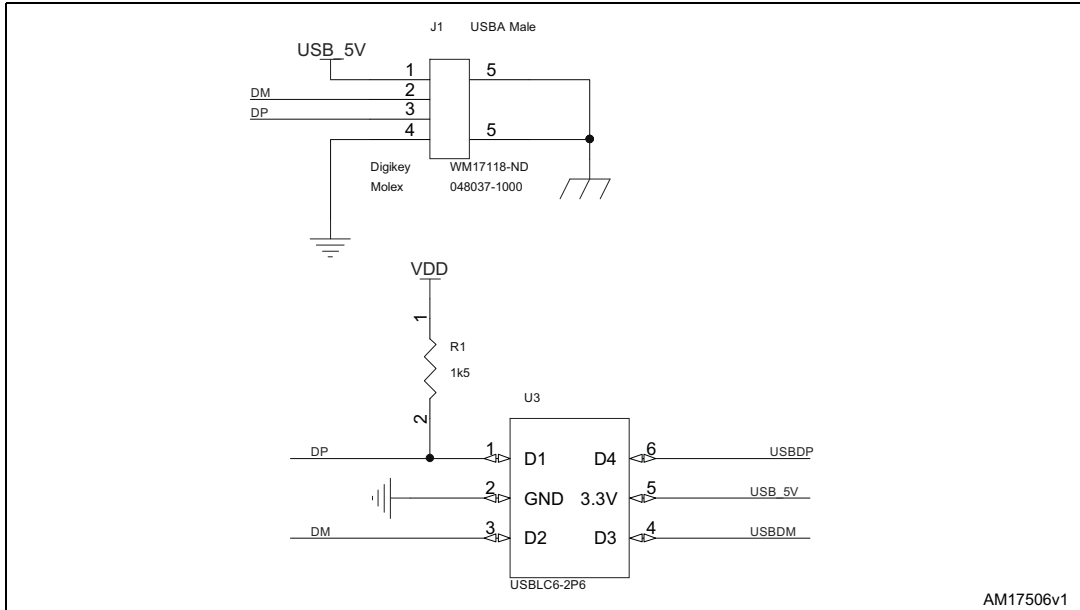


Figure 5. Power management circuit schematic

