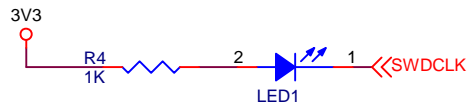
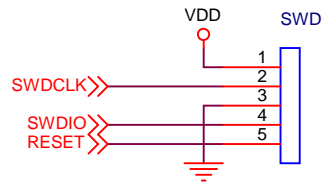
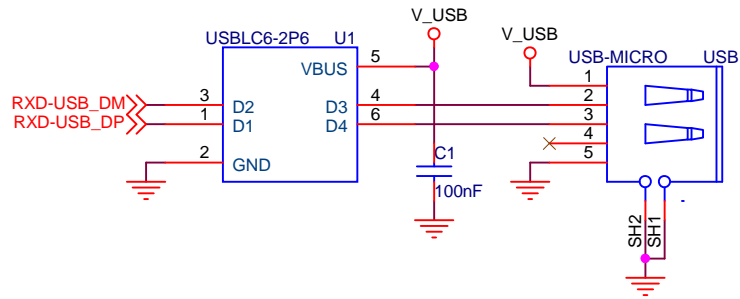
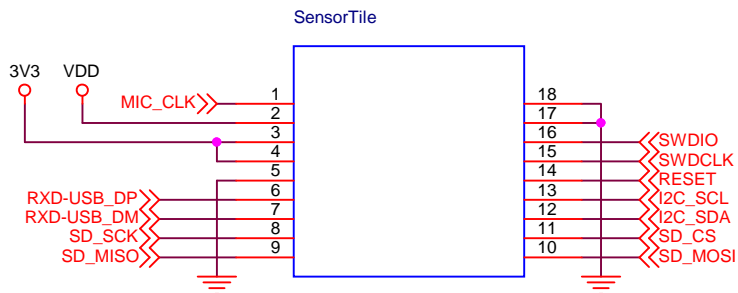


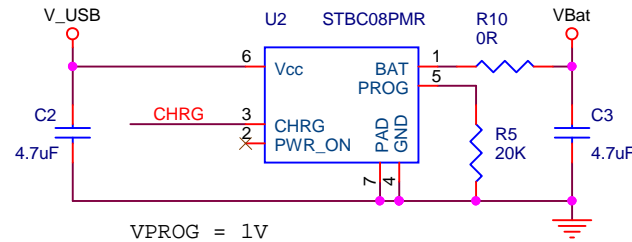
USB, SWD, Power switch



SensorTile Footprint



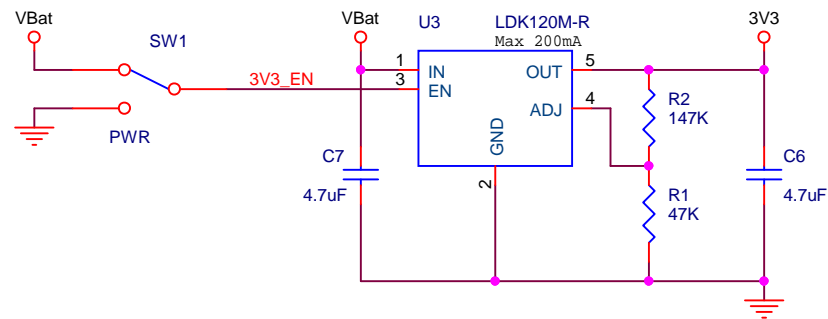
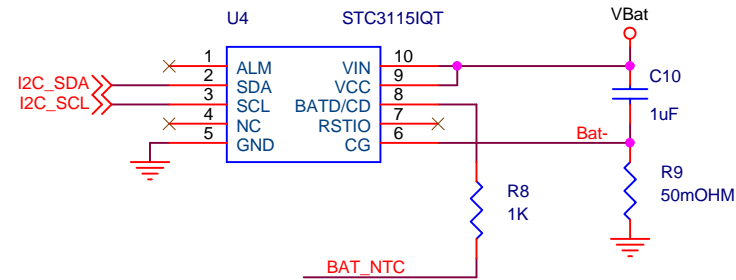
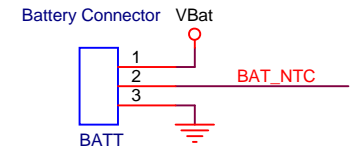
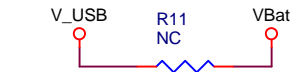
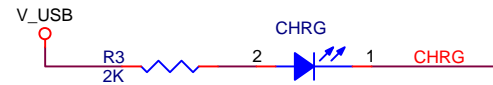
Battery Charger

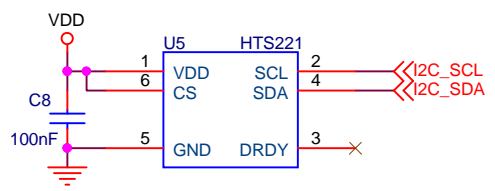
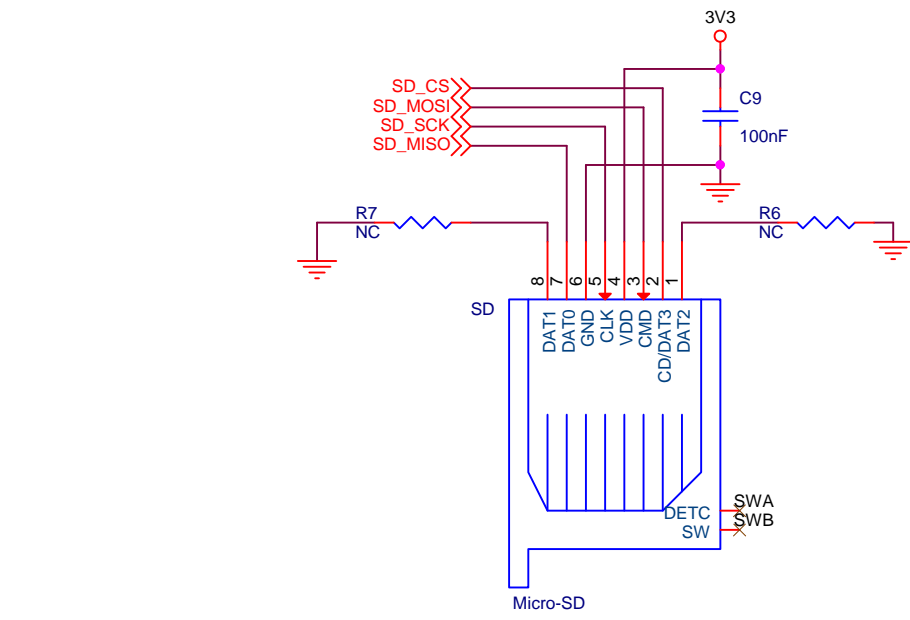


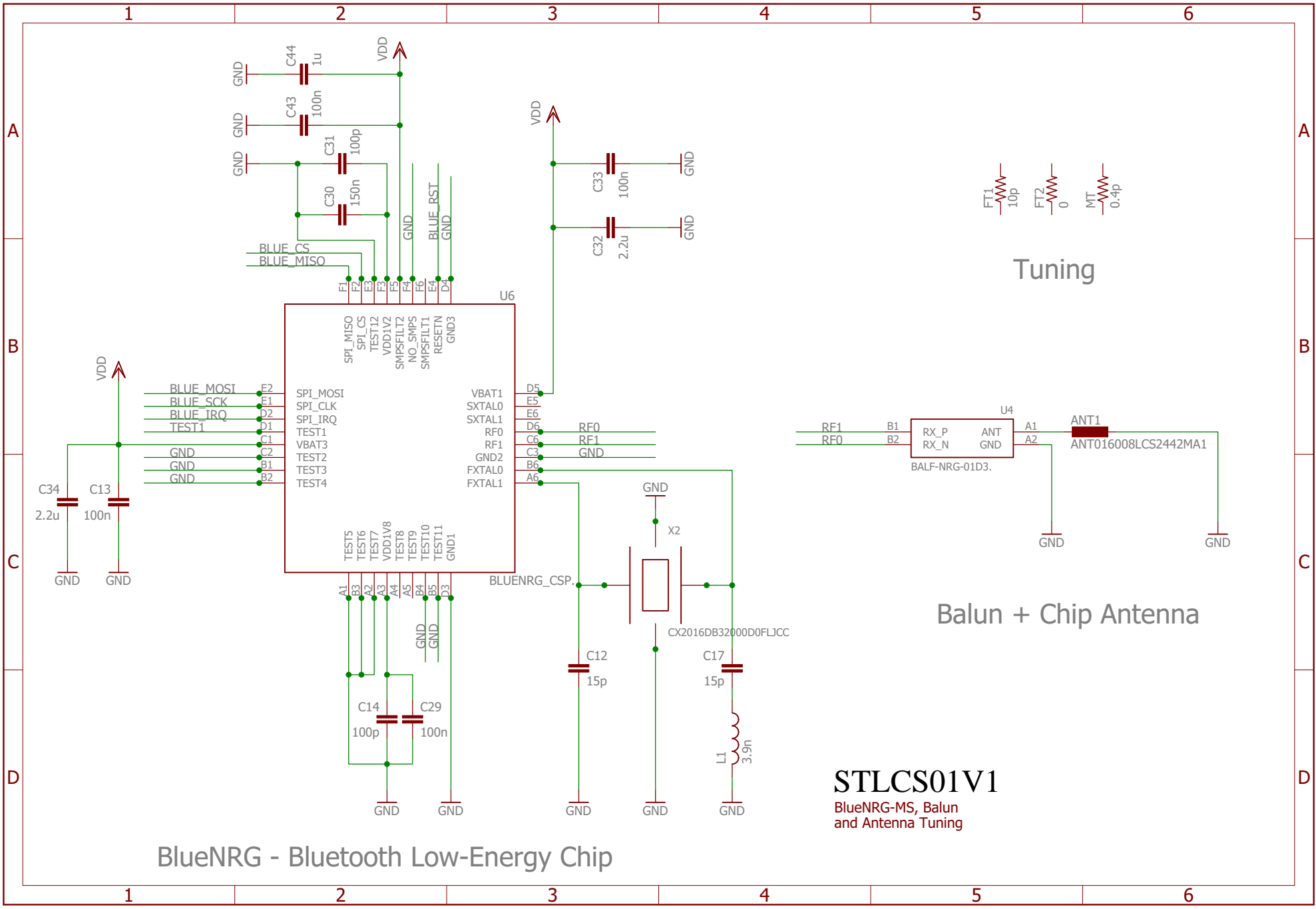
$$V_{PROG} = 1V$$

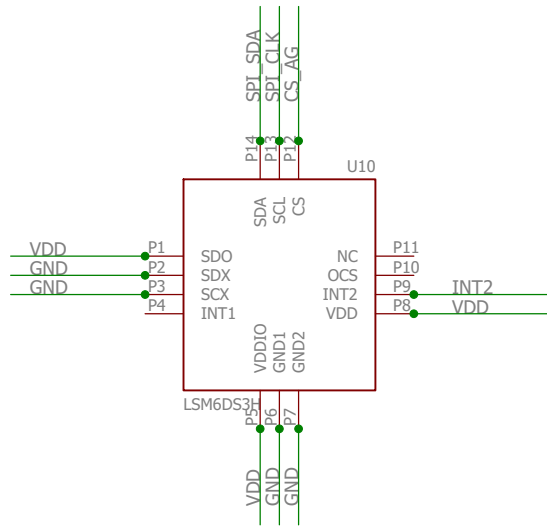
$$I_{BAT} = (V_{PROG}/R_{PROG}) \times 1000$$

$$R_{PROG} = 1000 * V_{PROG} / I_{BAT}$$

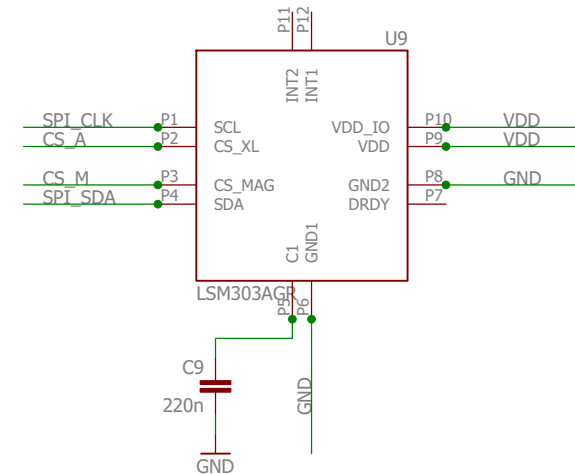
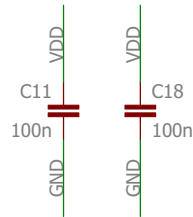




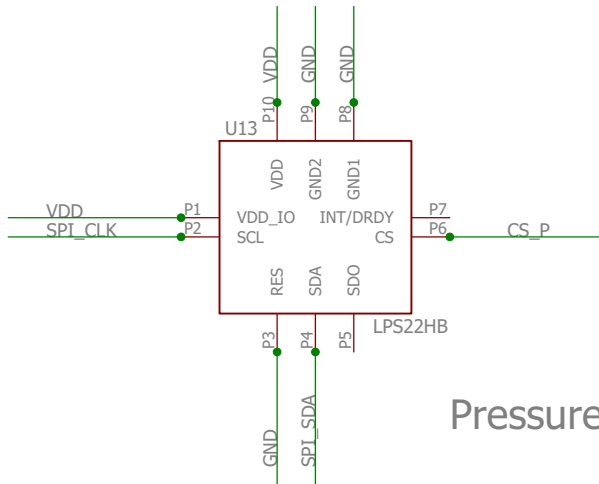




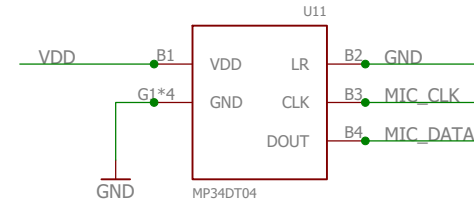
Accelerometer + Gyroscope



Accelerometer + Magnetometer

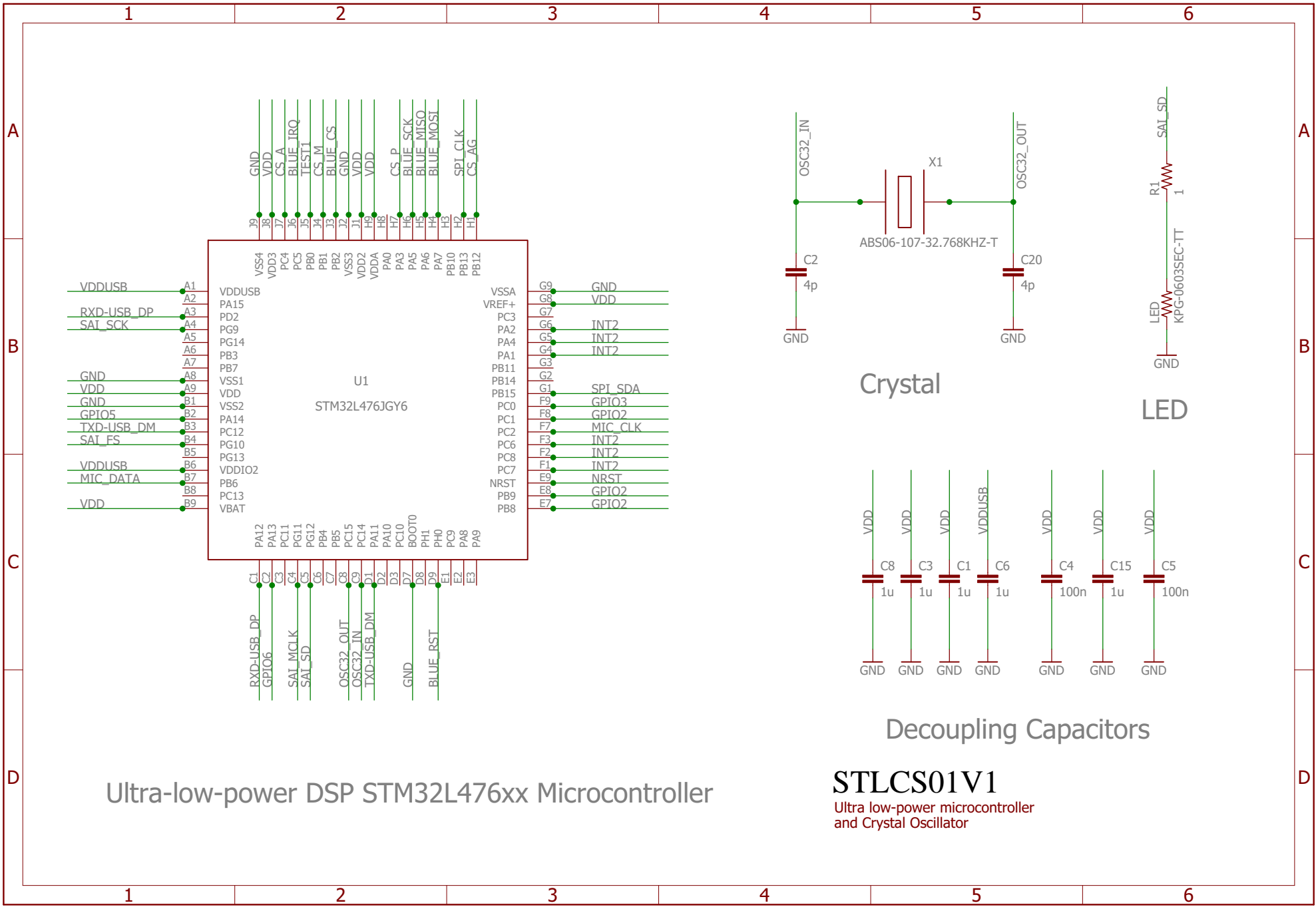


Pressure Sensor



Digital Microphone

STLCS01V1
MEMS Sensors and Microphone



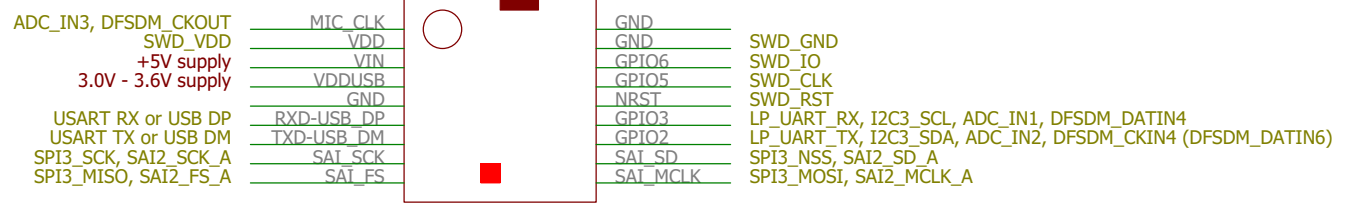
Ultra-low-power DSP STM32L476xx Microcontroller

STLCS01V1
 Ultra low-power microcontroller
 and Crystal Oscillator

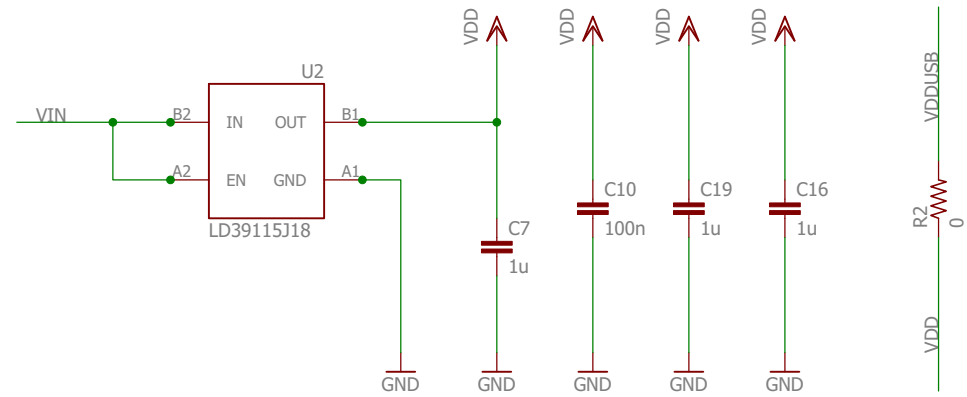
Crystal

LED

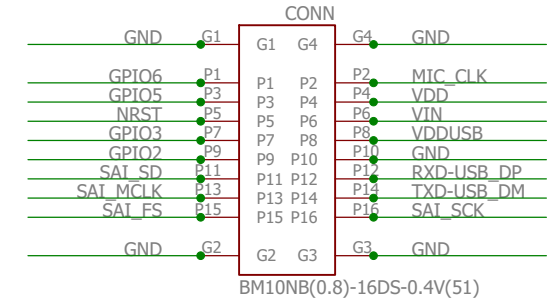
Decoupling Capacitors



Half-Moon Pin output



Low-Drop Out Voltage Regulator

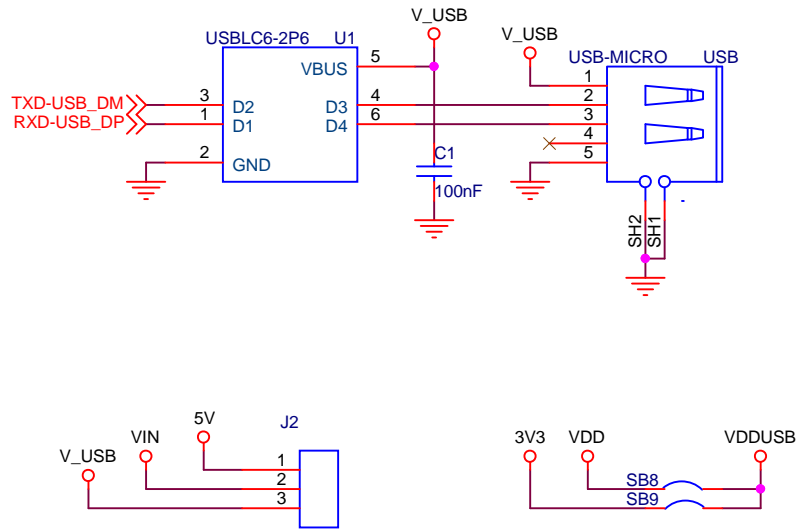


Hirose bottom connector (optional)

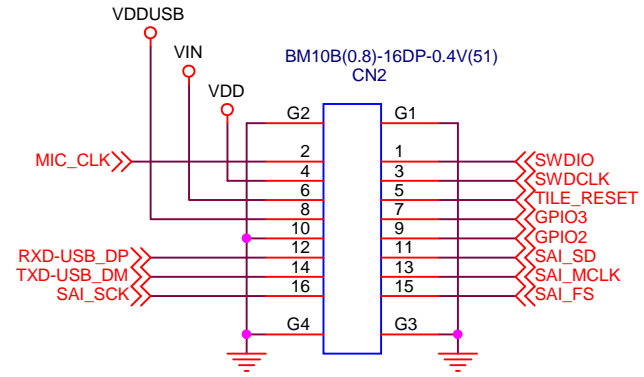
STLCS01V1

Low-drop out voltage regulator and connectors

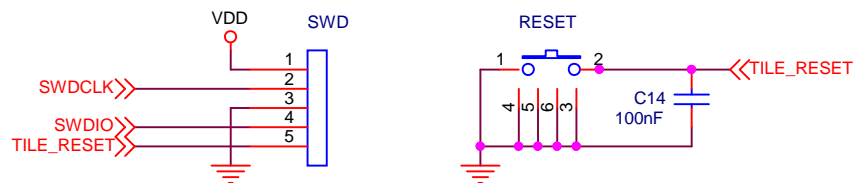
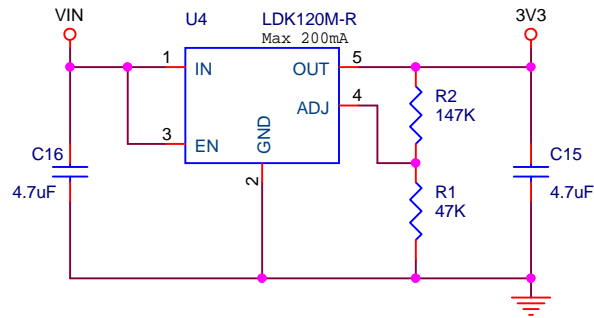
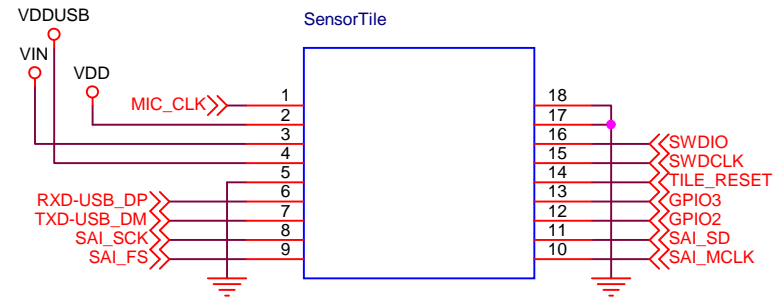
USB, SWD, Power



SensorTile Connector

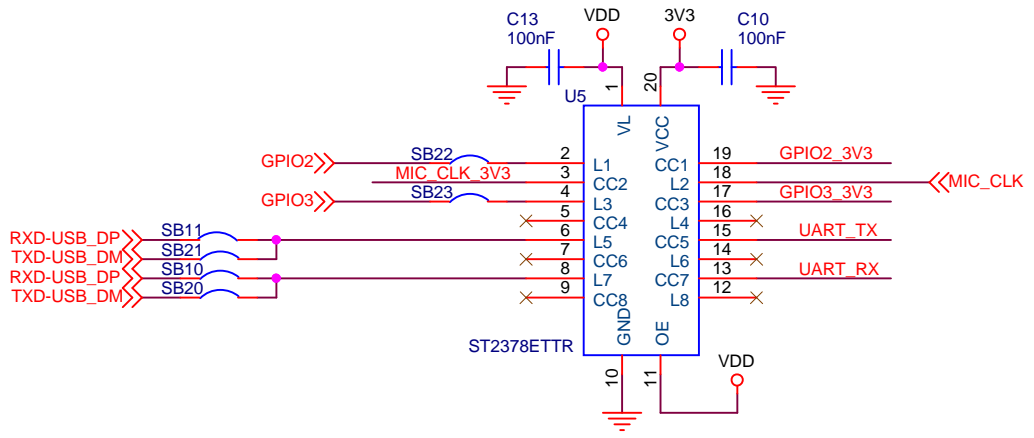
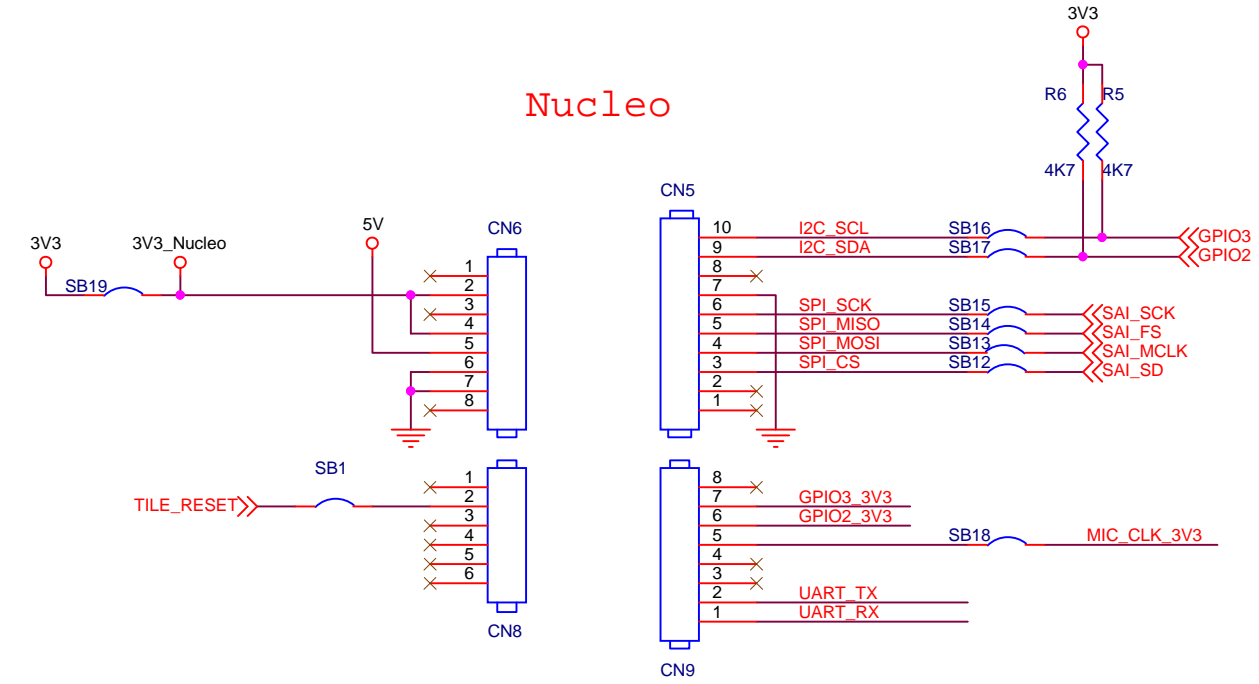


SensorTile Footprint



STLCX01V1
 Power and connectors

Nucleo



STLCX01V1

Connectors and Level Translator