

Complementary power transistors

Preliminary data

Features

- Very low collector-emitter saturation voltage
- High current gain characteristic
- Fast switching speed
- Fully insulated package

Applications

- Voltage regulation
- Computer and peripheral equipment
- Audio amplifier
- Relay driver

Description

The devices are manufactured using new "PB-HCD" (power bipolar high current density) technology. The resulting transistor shows exceptional high gain performances coupled with very low saturation voltage.

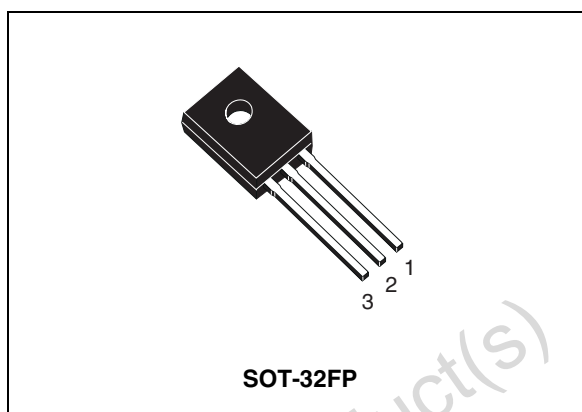


Figure 1. Internal schematic diagrams

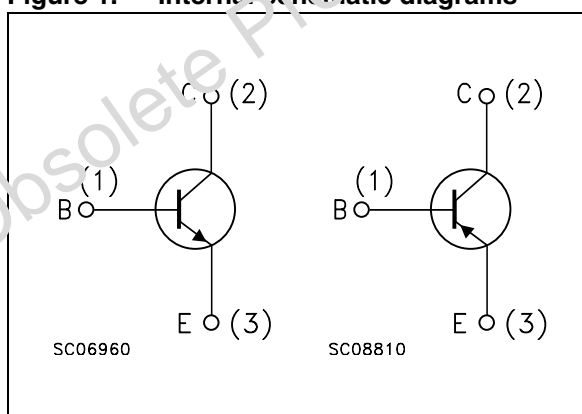


Table 1. Device summary

Order codes	Marking	Package	Packaging
2ST1480	2ST1480	SOT-32FP	Bag
2ST2480	2ST2480		

1 Absolute maximum rating

Table 2. Absolute maximum ratings

Symbol	Parameter	Value		Unit
		NPN	2ST1480	
		PNP	2ST2480	
V_{CBO}	Collector-base voltage ($I_E = 0$)		80	V
V_{CEO}	Collector-emitter voltage ($I_B = 0$)		80	V
V_{EBO}	Emitter-base voltage ($I_C = 0$)		5	V
I_C	Collector current		4	A
I_{CM}	Collector peak current		8	A
I_B	Base current		0.4	A
P_{tot}	Total dissipation at $T_C \leq 25\text{ °C}$		20	W
T_{stg}	Storage temperature		-65 to 150	°C
T_J	Max. operating junction temperature		150	°C

Table 3. Thermal data

Symbol	Parameter	Value	Unit
R_{thJC}	Thermal resistance junction-case Max	6.3	°C/W

2 Electrical characteristics

$T_{case} = 25\text{ }^\circ\text{C}$; unless otherwise specified.

Table 4. Electrical characteristics

Symbol	Parameter	Test conditions	Min.	Typ.	Max.	Unit
I_{CBO}	Collector cut-off current ($I_E = 0$)	$V_{CE} = 80\text{ V}$			30	μA
I_{EBO}	Emitter cut-off current ($I_C = 0$)	$V_{EB} = 5\text{ V}$			100	μA
$V_{(BR)CEO}^{(1)}$	Collector-emitter breakdown voltage ($I_B = 0$)	$I_C = 50\text{ mA}$	80			V
$V_{CE(sat)}^{(1)}$	Collector-emitter saturation voltage	$I_C = 3\text{ A}$ $I_B = 300\text{ mA}$			0.4	V
$V_{BE(on)}^{(1)}$	Base-emitter on voltage	$I_C = 3\text{ A}$ $V_{CE} = 5\text{ V}$		0.8	1	V
$h_{FE}^{(1)}$	DC current gain	$I_C = 0.5\text{ A}$ $V_{CE} = 5\text{ V}$ for 2ST1480 $I_C = 3\text{ A}$ $V_{CE} = 5\text{ V}$ for 2ST2480	120 120 15		240 300	
f_T	Transition frequency	$I_C = 0.5\text{ A}$ $V_{CE} = 5\text{ V}$		130		MHz
C_{CBO}	Collector-base capacitance ($I_E = 0$)	$V_{CB} = 10\text{ V}$ $f = 1\text{ MHz}$		60		pF

1. Pulse test: pulse duration $\leq 300\text{ }\mu\text{s}$, duty cycle $\leq 2\%$

Note: For PNP type voltage and current are negative.

2.1 Electrical characteristic (curves)

Figure 2. Safe operating area

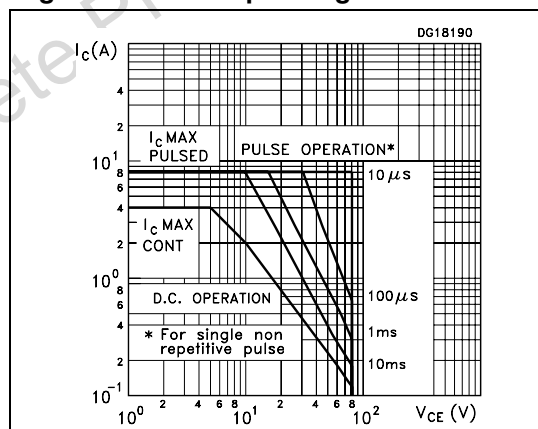
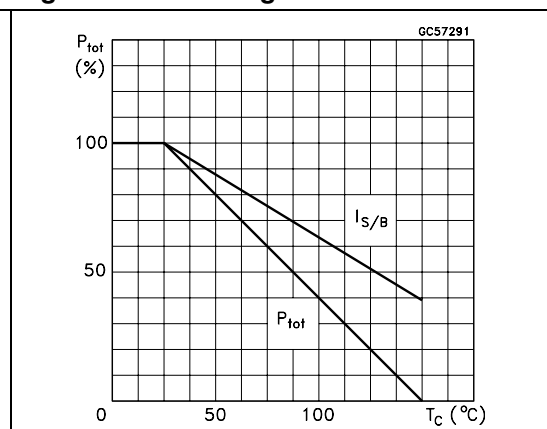


Figure 3. Derating curve



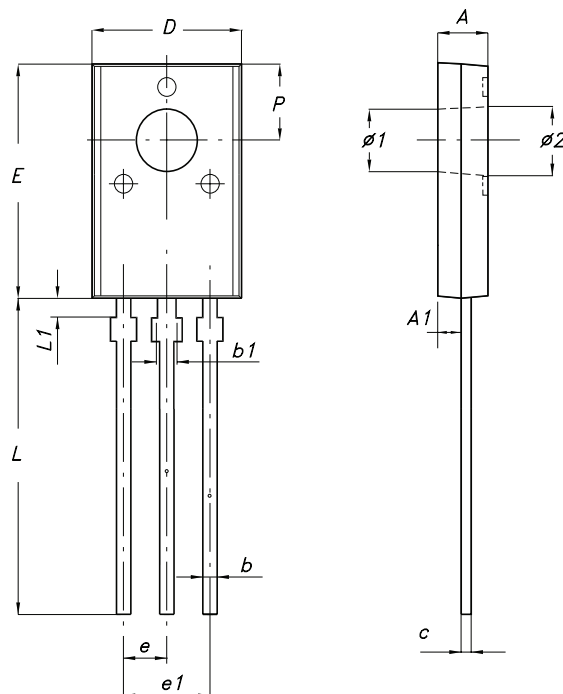
3 Package mechanical data

In order to meet environmental requirements, ST offers these devices in different grades of ECOPACK® packages, depending on their level of environmental compliance. ECOPACK® specifications, grade definitions and product status are available at: www.st.com. ECOPACK® is an ST trademark.

Obsolete Product(s) - Obsolete Product(s)

SOT-32FP mechanical data

DIM.	mm.		
	MIN.	TYP	MAX.
A	3.00		3.40
A1	1.80		2.20
b	0.66		0.86
b1	1.17		1.37
c	0.45		0.60
D	7.80		8.20
E	10.80		11.20
e		2.28	
e1	4.46		4.66
L	15.30		15.70
L1	1.30		1.50
P	4.04		4.24
$\phi 1$	2.90		3.10
$\phi 2$	3.10		3.30



8120996B

4 Revision history

Table 5. Document revision history

Date	Revision	Changes
09-Oct-2009	1	Initial release.

Obsolete Product(s) - Obsolete Product(s)

Please Read Carefully:

Information in this document is provided solely in connection with ST products. STMicroelectronics NV and its subsidiaries ("ST") reserve the right to make changes, corrections, modifications or improvements, to this document, and the products and services described herein at any time, without notice.

All ST products are sold pursuant to ST's terms and conditions of sale.

Purchasers are solely responsible for the choice, selection and use of the ST products and services described herein, and ST assumes no liability whatsoever relating to the choice, selection or use of the ST products and services described herein.

No license, express or implied, by estoppel or otherwise, to any intellectual property rights is granted under this document. If any part of this document refers to any third party products or services it shall not be deemed a license grant by ST for the use of such third party products or services, or any intellectual property contained therein or considered as a warranty covering the use in any manner whatsoever of such third party products or services or any intellectual property contained therein.

UNLESS OTHERWISE SET FORTH IN ST'S TERMS AND CONDITIONS OF SALE ST DISCLAIMS ANY EXPRESS OR IMPLIED WARRANTY WITH RESPECT TO THE USE AND/OR SALE OF ST PRODUCTS INCLUDING WITHOUT LIMITATION IMPLIED WARRANTIES OF MERCHANTABILITY, FITNESS FOR A PARTICULAR PURPOSE (AND THEIR EQUIVALENTS UNDER THE LAWS OF ANY JURISDICTION), OR INFRINGEMENT OF ANY PATENT, COPYRIGHT OR OTHER INTELLECTUAL PROPERTY RIGHT.

UNLESS EXPRESSLY APPROVED IN WRITING BY AN AUTHORIZED ST REPRESENTATIVE, ST PRODUCTS ARE NOT RECOMMENDED, AUTHORIZED OR WARRANTED FOR USE IN MILITARY, AIR CRAFT, SPACE, LIFE SAVING, OR LIFE SUSTAINING APPLICATIONS, NOR IN PRODUCTS OR SYSTEMS WHERE FAILURE OR MALFUNCTION MAY RESULT IN PERSONAL INJURY, DEATH, OR SEVERE PROPERTY OR ENVIRONMENTAL DAMAGE. ST PRODUCTS WHICH ARE NOT SPECIFIED AS "AUTOMOTIVE GRADE" MAY ONLY BE USED IN AUTOMOTIVE APPLICATIONS AT USER'S OWN RISK.

Resale of ST products with provisions different from the statements and/or technical features set forth in this document shall immediately void any warranty granted by ST for the ST product or service described herein and shall not create or extend in any manner whatsoever, any liability of ST.

ST and the ST logo are trademarks or registered trademarks of ST in various countries.

Information in this document supersedes and replaces all information previously supplied.

The ST logo is a registered trademark of STMicroelectronics. All other names are the property of their respective owners.

© 2009 STMicroelectronics - All rights reserved

STMicroelectronics group of companies

Australia - Belgium - Brazil - Canada - China - Czech Republic - Finland - France - Germany - Hong Kong - India - Israel - Italy - Japan - Malaysia - Malta - Morocco - Philippines - Singapore - Spain - Sweden - Switzerland - United Kingdom - United States of America

www.st.com