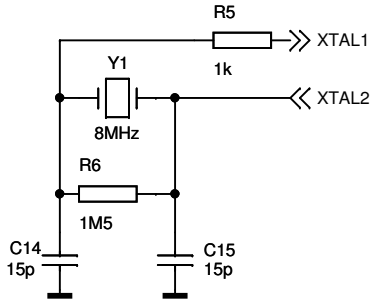
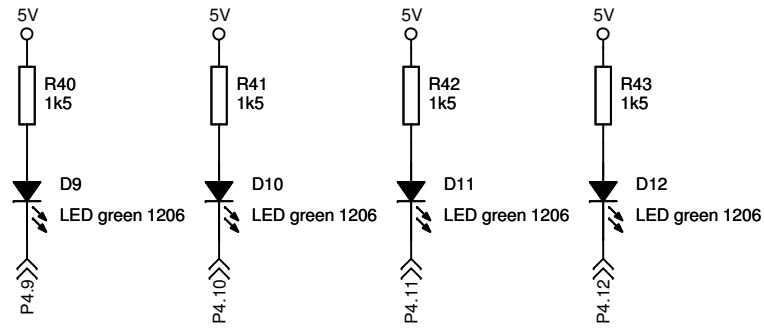


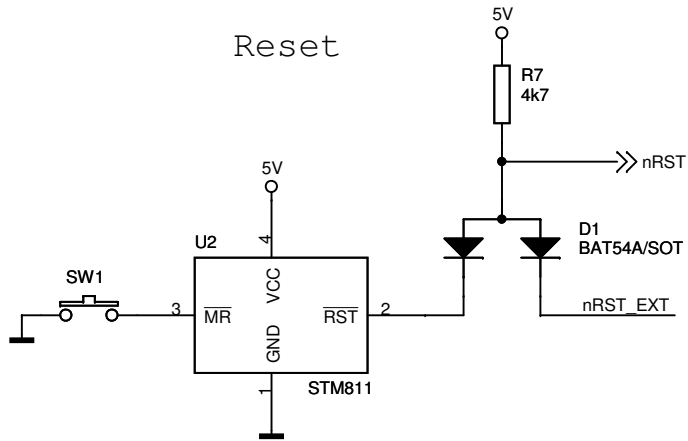
Clock



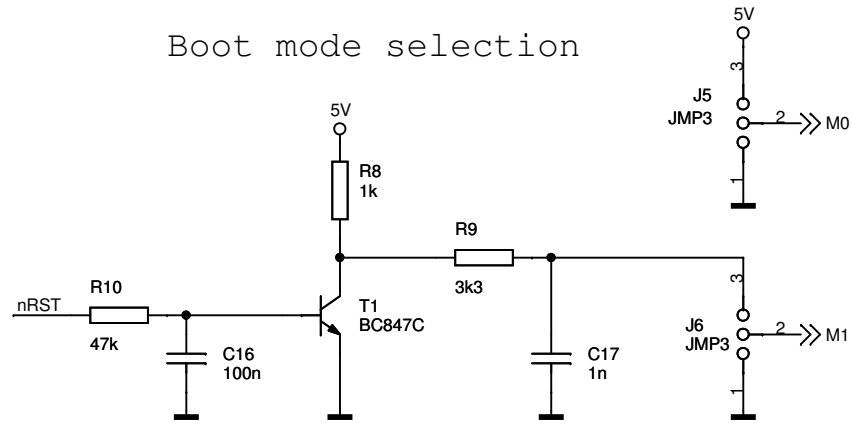
User LEDs



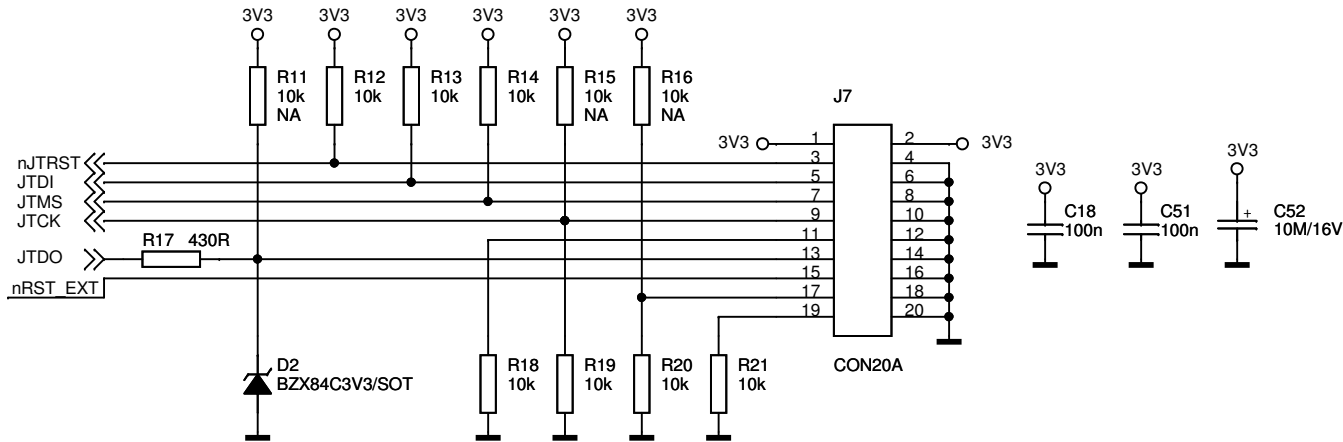
Reset



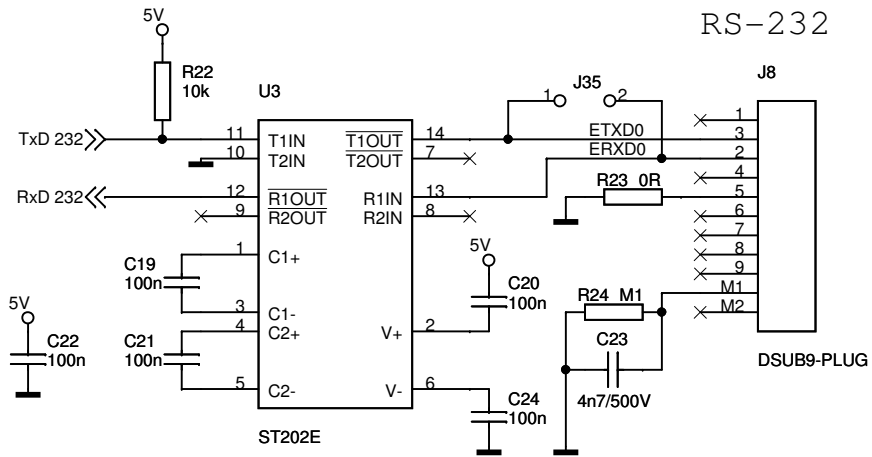
Boot mode selection



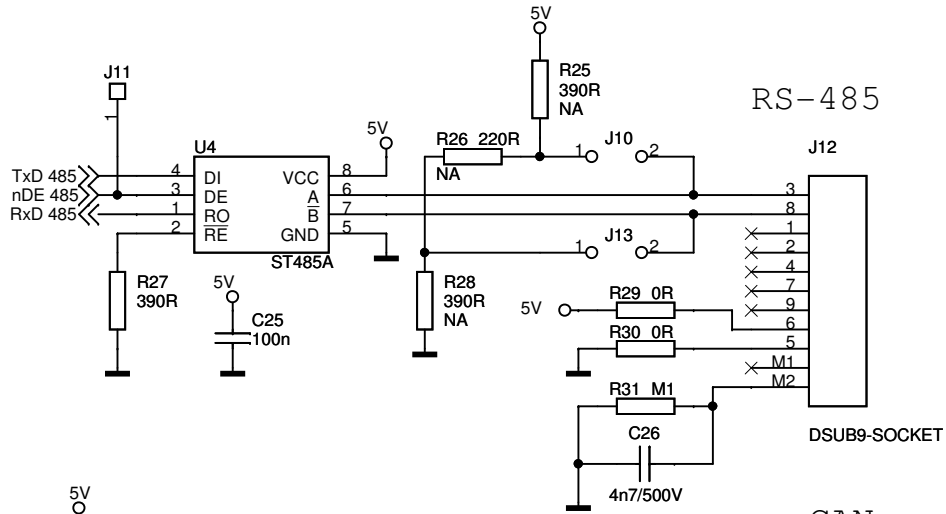
JTAG



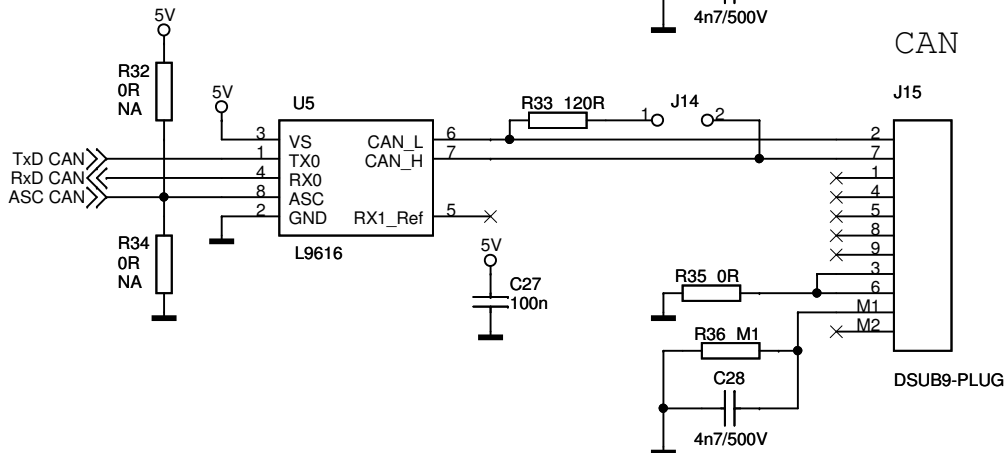
RS-232



RS-485

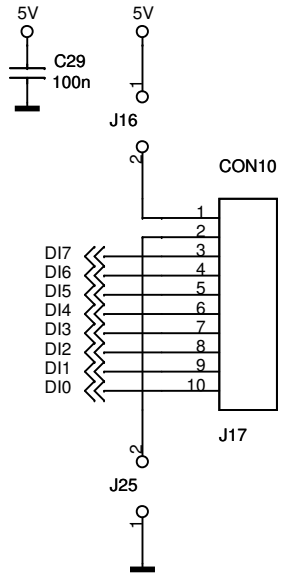


CAN



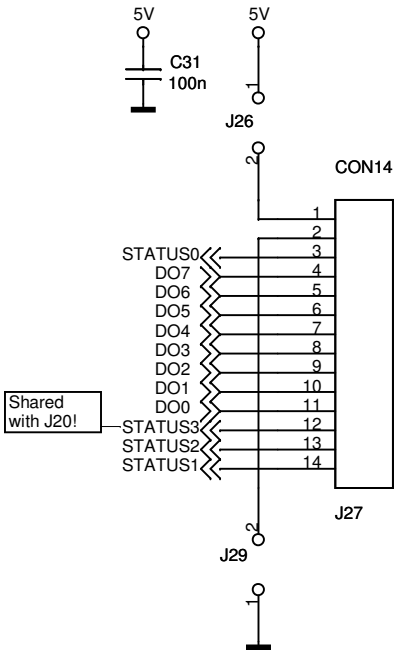
8bit IN con.

(CLT, PCLT compatible)

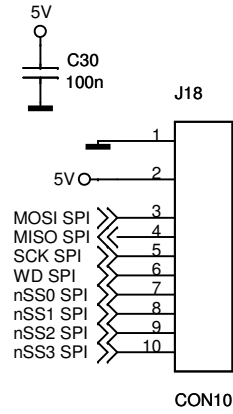


8bit OUT con.

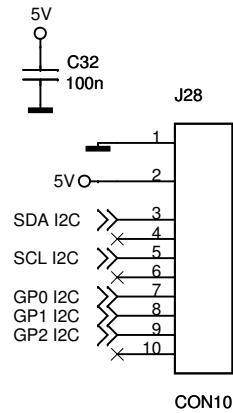
(VN808, VN340 compatible)



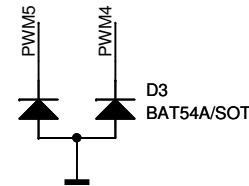
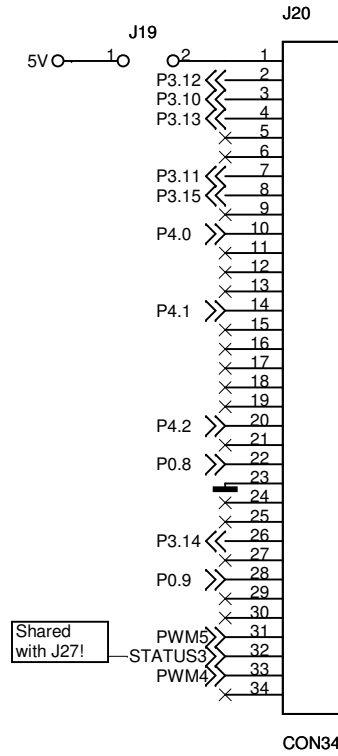
SPI



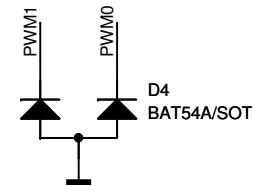
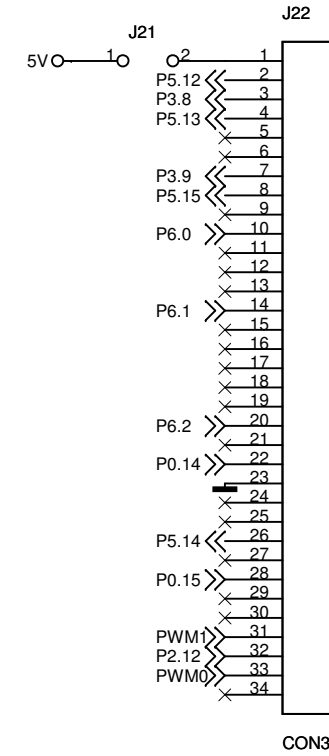
I2C



MC con. #1



MC con. #2



MC con. #3

