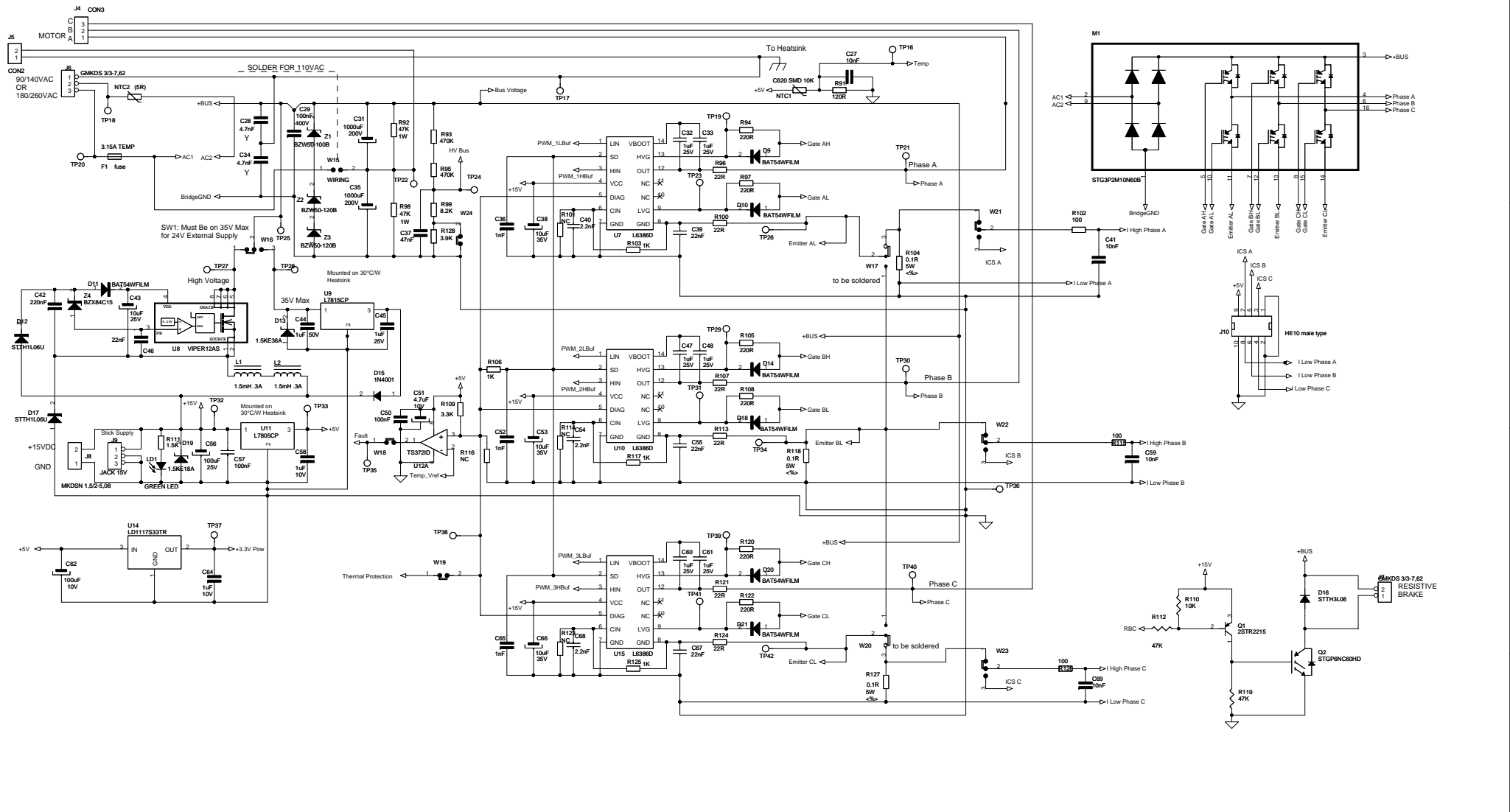


Title		IGBT PM EV KIT - POWER BOARD	
Size	Document Number	Rev 0.3a	
Date:	Friday, June 29, 2007	Sheet	1 of 2



File	IGBT PM EV KIT - POWER BOARD	
Size	Document Number	Rev
Date:	Friday, June 29, 2007	Sheet 2 of 2