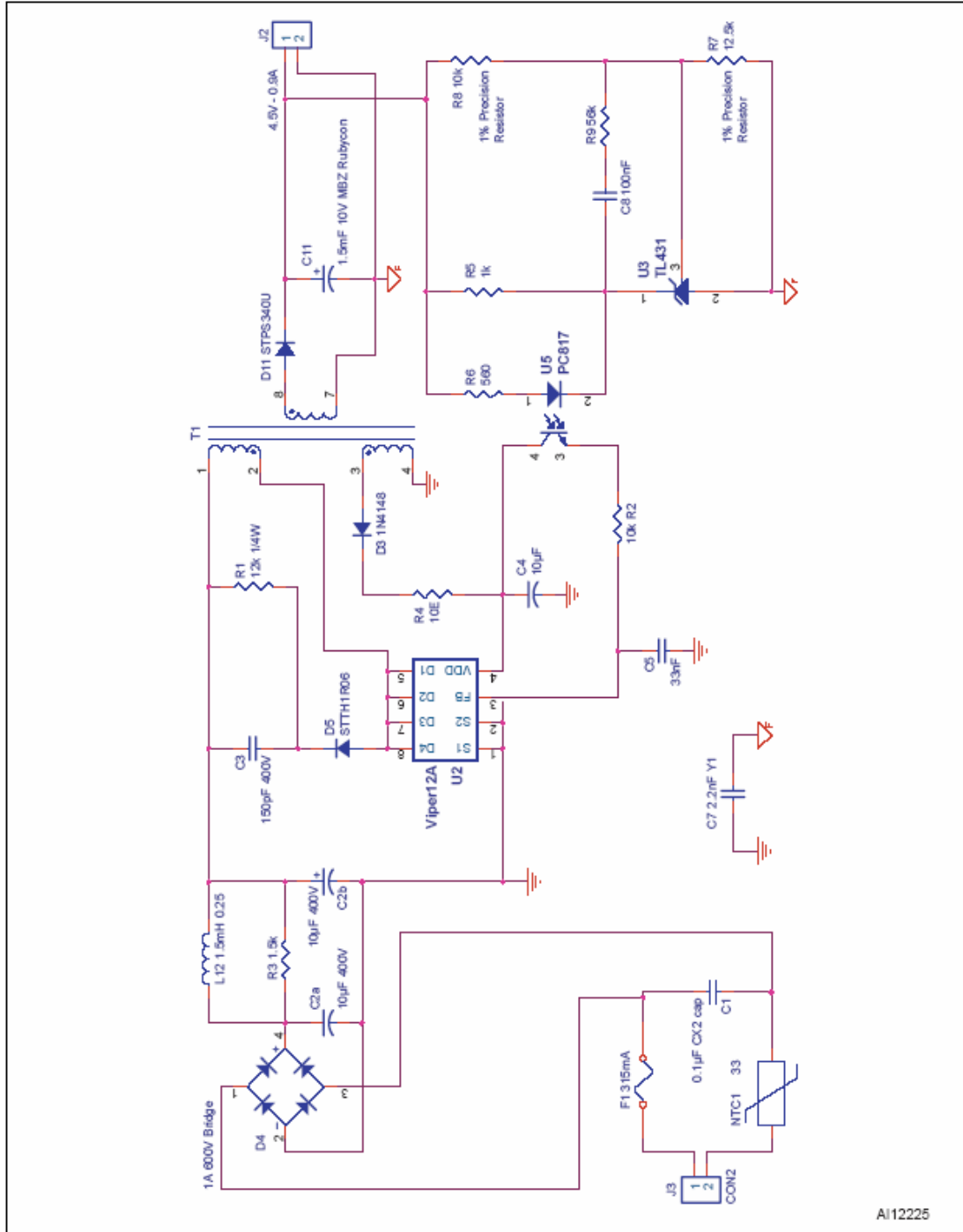


Figure 25. STEVAL-ISA011V1 Schematic



AI12225