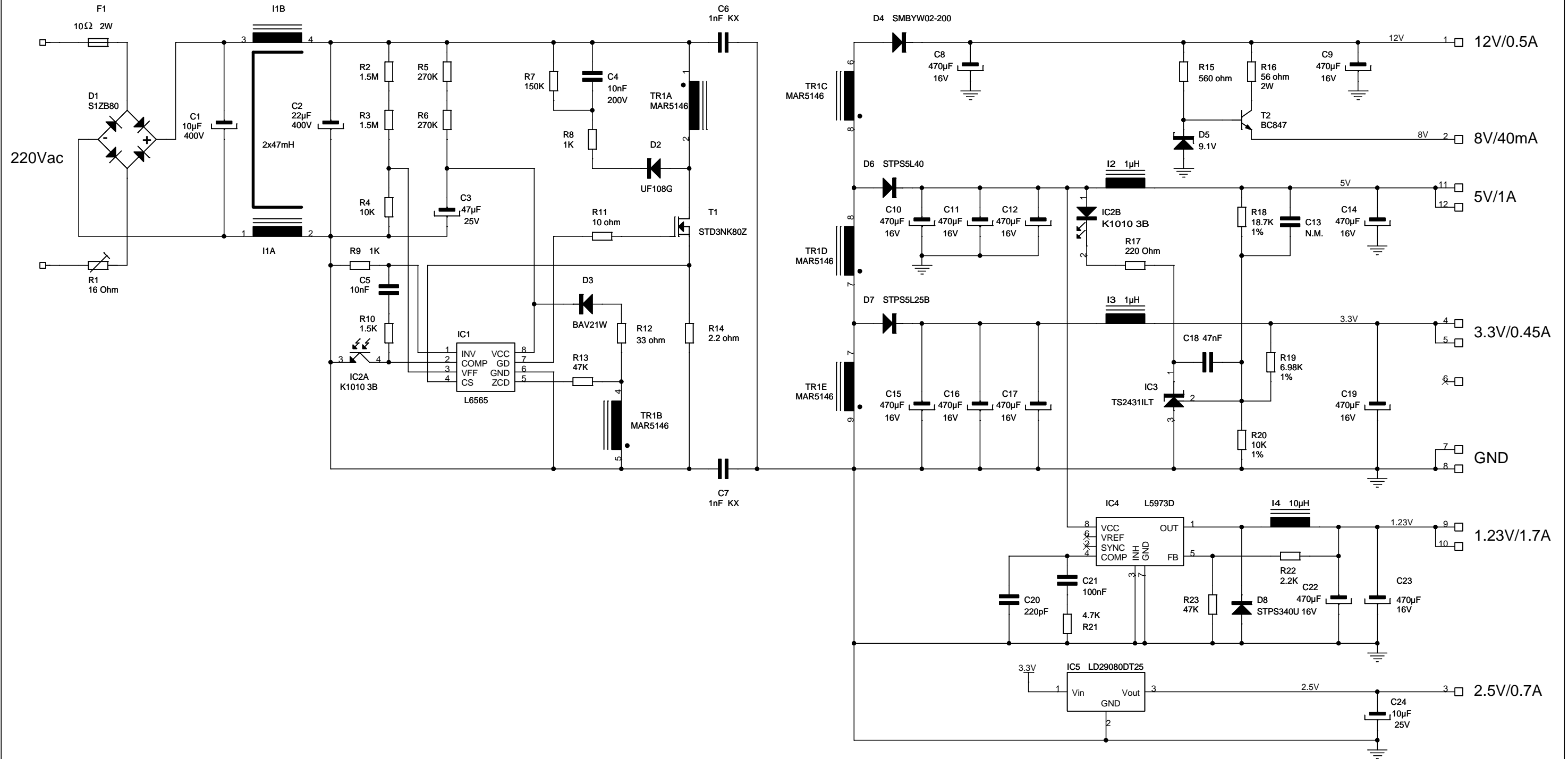



REV.	DATE	DESCRIPTION OF REVISION AND AUTHOR
A	13/10/05	FIRST ISSUE
02	30/11/05	Cambiato R4-R8-R10-R18-R19-C13-C18-C21-IC1 Mod. PCB versione V02. (agg. R23, pinout IC5,T2)
03	19/05/06	Corretto codice TR1 da MAR5145 a MAR5146



 <p>Subsystem Product Group. Use of this form is settled by ADCS procedure No.7611706. Copyright STMicroelectronics. Unauthorized reproduction and communication are strictly prohibited.</p>	<h2>SCHEMATIC DIAGRAM</h2>	Doc. ref.: STB-CATANIA (EU version)		
		Drawing No.: PC789.PR3		
		Drawn by: G.Brambilla	Approved by:	
		Passed by:	Date: 19/05/05	Sheet 1 of 1