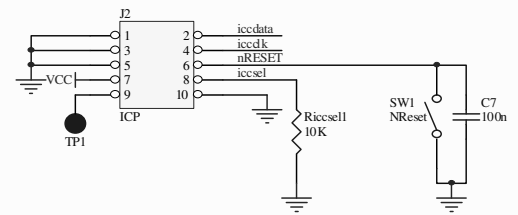
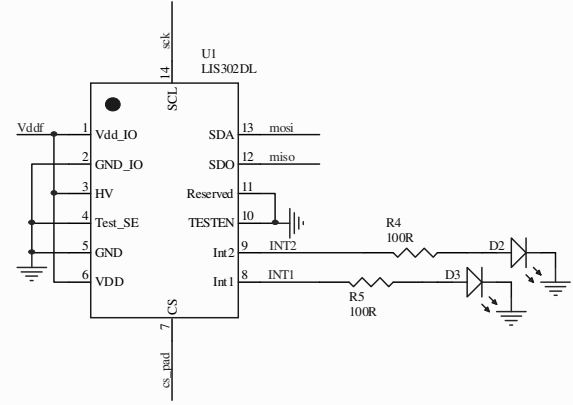
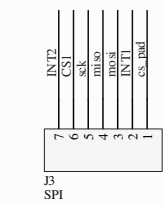
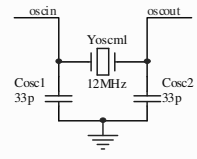
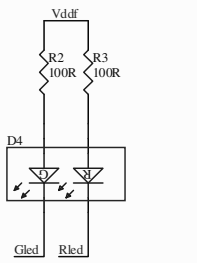
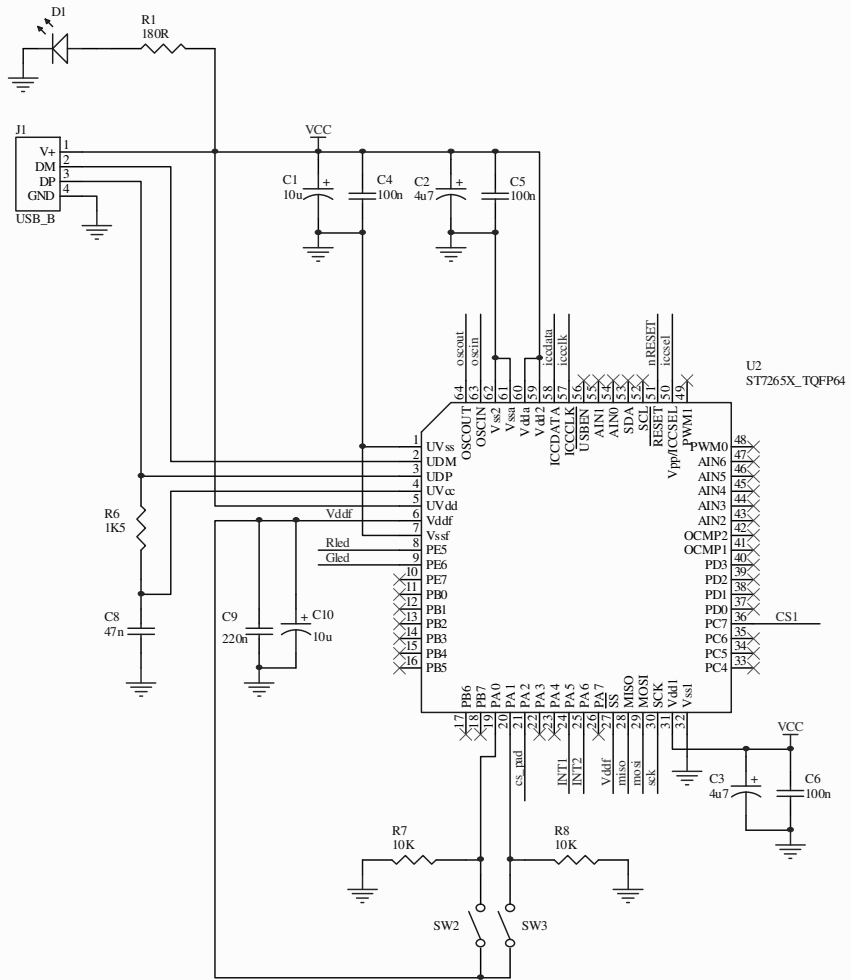


MBU
Application Lab.
EK302DL



Title			EK302DL		
Size	Number		Revision		
B			1.1		
Date:	9/12/2006	Sheet 1 of 1			
File:	CAMBUA_EK302DL_Rev1.1.schdoc	Drawn By:	Bendiscoli P. - Minotti M.		