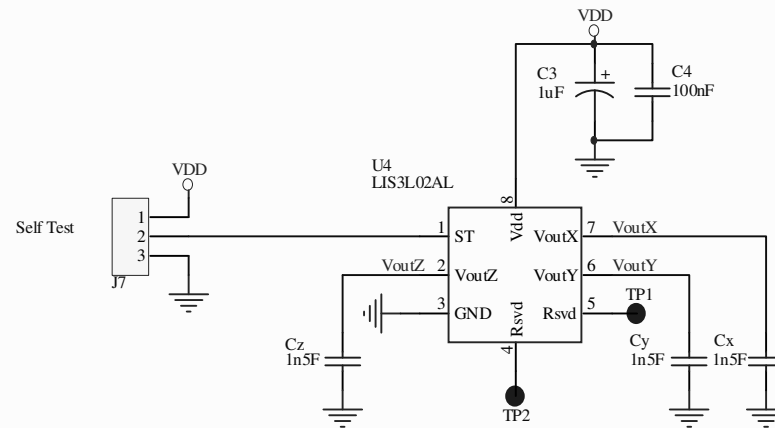
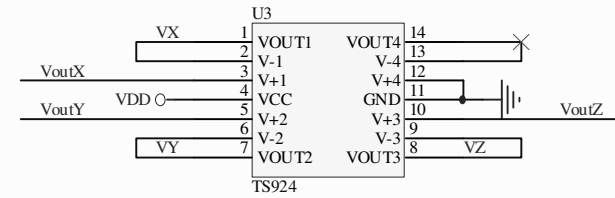
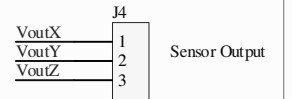
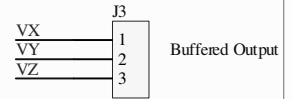
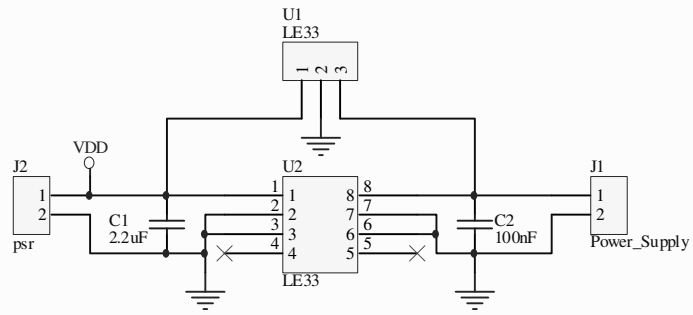


# FTM MBU Application Lab

LE33 linear voltage regulator  
case: SO8 or TO92

TS924 rail to rail Low noise  
Quad operational amplifier



Title <b>EK3L02AL</b>			STMicroelectronics S.r.l. Via Tolomeo 1 20010 Comaredo (MI) - Italy	
Size: A4	Number:	Revision: 1.0a		
Date: 5/23/2006	Time: 2:58:40 PM	Sheet 1 of 1	Marinoni A. - Minotti M.	
File: C:\MBU\EK3L02AL\EK3L02AL_rev1.schdoc				