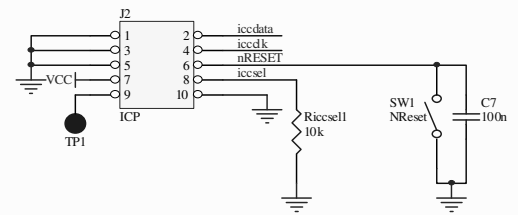
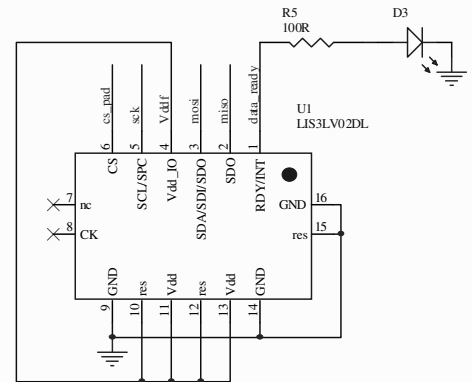
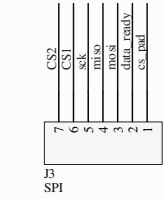
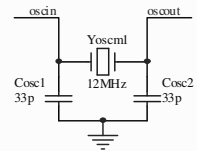
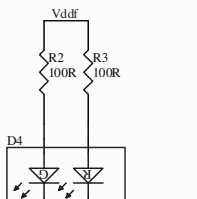
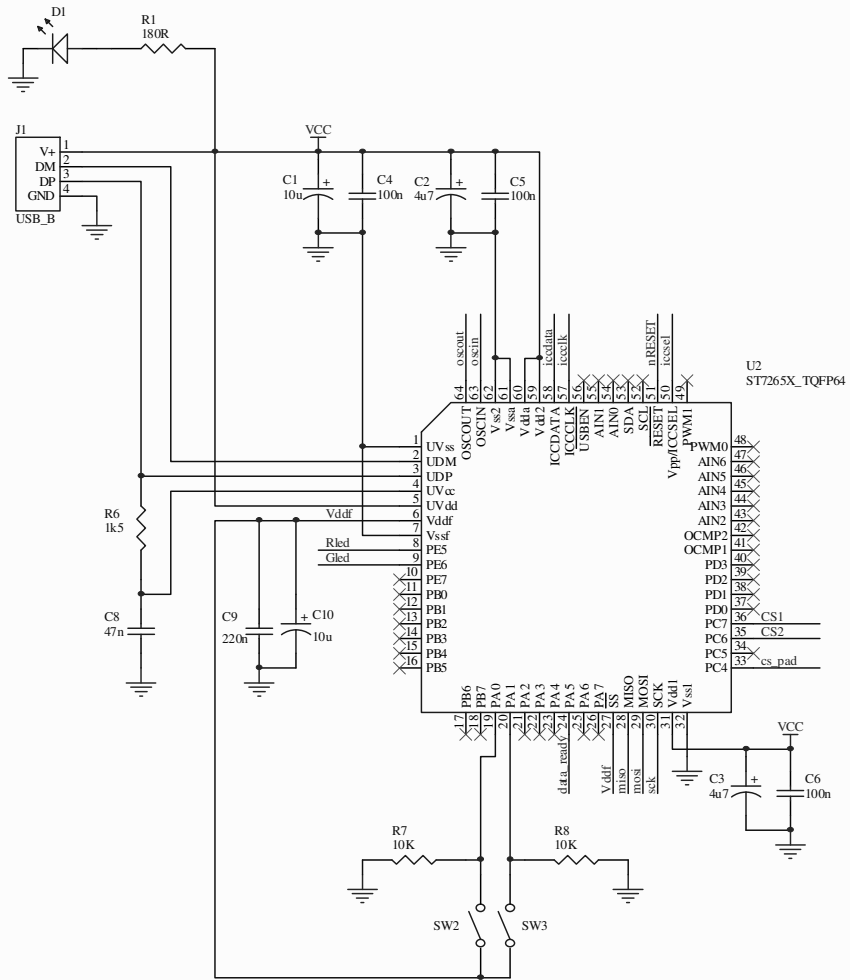


MBU
Application Lab.
EK3LV02DL



Title			EK3LV02DL		
Size	Number		Revision		
B			1.2		
Date:	5/23/2006	Sheet	1 of 1		
File:	CAMBUA_EK3LV02DL_Rev1.2.schdoc	Drawn By:			