

DOCSIS 2.0+ cable modem chip with channel bonding

Data Brief

Features

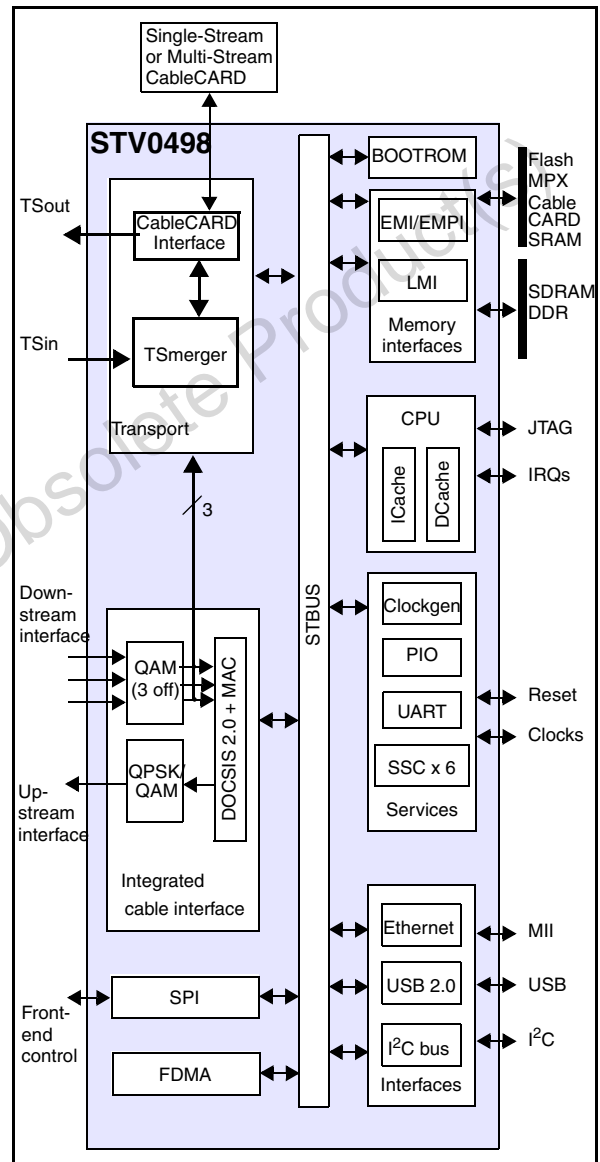
- High performance ST40 32-bit RISC CPU
- Code authentication mechanism embedded
- Three QAM demodulators with FECs
- Additional TS input
- DOCSIS 2.0 MAC and PHY
- Supports downstream channel bonding, compatible with DOCSIS 3.0 specification
- Supports SCTE-55 PHY parts 1 and 2
- Four-input stream merger
- Multi-Stream CableCARD interface
- Local memory interface
- USB 2.0 interface (includes PHY)
- Ethernet MII and reduced MII interfaces
- Configurable GPIO
- Flexible multi-channel DMA
- JTAG/TAP interface
- Special Isolate mode allows fully independent DOCSIS and video operations
- Glue-less interfacing to ST decoder devices
- Full toolset support
- 23mm x 23mm PBGA, 386+36 pins, 1mm pitch
 - Pb-free, RoHS (2002/95/EC) compliant.

Description

The STV0498 is a cable front-end solution for interactive and PVR set-top boxes.

Built around a powerful 450-DMIP processor there are three QAM demodulators with FEC, a DOCSIS modem supporting full DOCSIS2.0 operations and channel bonding up to 120 Mbit/s. The STV0498 supports both IPV4 and IPV6 protocols.

Ethernet and USB2.0 interfaces provide low-cost connections to the host computer.



Applications

- DOCSIS 2.0+ cable modem module
- Interactive cable set-top box
- eMTA terminal.

1 Applications

The STV0498 kit, when accompanied with a back-end decoder, provides a complete low-cost solution for interactive cable set-top boxes.

The STV0498 has been designed to work as a kit with an analog front-end companion chip, the STV0130. This analog chip does the analog-digital conversion for the QAM signal input and the digital-analog conversion for the DOCSIS return path whilst the STV0498 does the digital operations.

The STV0498 performs downstream and upstream operations for video and data. Three high-performance QAM/FEC modules demodulate and correct the cable signals to be sent either to a stream merger for video application or to the DOCSIS media access controller (MAC) for data flow. The forward error correction (FEC) blocks support the ITU-T J83 Annex A, B and C specification. The demodulators support square constellation from the QPSK used in legacy out-of-band (SCTE-55 parts 1 and 2) to QAM 256 and non-square constellation such as QAM 32 and QAM 128. The Japanese transport stream multiplex (TSMF) is also supported.

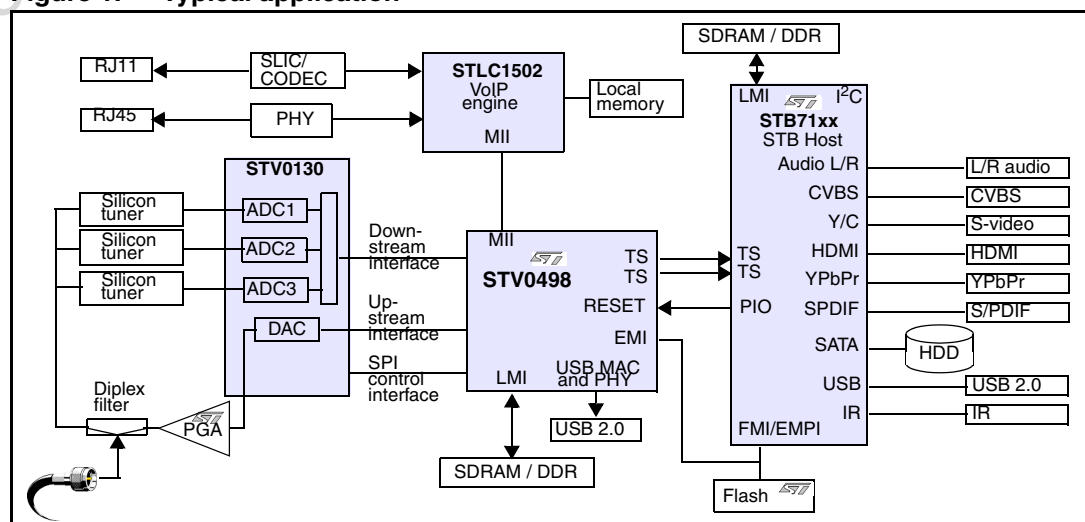
The merged video stream is compatible with Multi-Stream CableCARD. This stream is then sent to a standard video decoder. Up to three video channels can be received simultaneously.

The DOCSIS subsystem is fully compatible with the DOCSIS 2.0 specification and supports downstream channel bonding, compatible with the DOCSIS 3.0 specification, bringing the data rate up to 120 Mbit/s. Up to 16 QOS channels can be supported simultaneously. The STV0130 analog block provides direct connection to the upstream power amplifier. All DOCSIS operations are controlled by a high performance CPU running the OS21 operating system.

Integrated peripheral blocks (the Ethernet and USB interfaces, for example) provide low-cost connections between the DOCSIS modem and the host computer. MPX is a primary connection mode between the STV0498 and ST decoder chips.

Several modes of operations are available, from a stand-alone mode to a fully embedded solution with the back-end device.

Figure 1. Typical application



2 Revision history

Table 1. Document revision history

Date	Revision	Changes
16-Feb-2007	1	Initial release.

Obsolete Product(s) - Obsolete Product(s)

Please Read Carefully:

Information in this document is provided solely in connection with ST products. STMicroelectronics NV and its subsidiaries ("ST") reserve the right to make changes, corrections, modifications or improvements, to this document, and the products and services described herein at any time, without notice.

All ST products are sold pursuant to ST's terms and conditions of sale.

Purchasers are solely responsible for the choice, selection and use of the ST products and services described herein, and ST assumes no liability whatsoever relating to the choice, selection or use of the ST products and services described herein.

No license, express or implied, by estoppel or otherwise, to any intellectual property rights is granted under this document. If any part of this document refers to any third party products or services it shall not be deemed a license grant by ST for the use of such third party products or services, or any intellectual property contained therein or considered as a warranty covering the use in any manner whatsoever of such third party products or services or any intellectual property contained therein.

UNLESS OTHERWISE SET FORTH IN ST'S TERMS AND CONDITIONS OF SALE ST DISCLAIMS ANY EXPRESS OR IMPLIED WARRANTY WITH RESPECT TO THE USE AND/OR SALE OF ST PRODUCTS INCLUDING WITHOUT LIMITATION IMPLIED WARRANTIES OF MERCHANTABILITY, FITNESS FOR A PARTICULAR PURPOSE (AND THEIR EQUIVALENTS UNDER THE LAWS OF ANY JURISDICTION), OR INFRINGEMENT OF ANY PATENT, COPYRIGHT OR OTHER INTELLECTUAL PROPERTY RIGHT.

UNLESS EXPRESSLY APPROVED IN WRITING BY AN AUTHORIZED ST REPRESENTATIVE, ST PRODUCTS ARE NOT RECOMMENDED, AUTHORIZED OR WARRANTED FOR USE IN MILITARY, AIR CRAFT, SPACE, LIFE SAVING, OR LIFE SUSTAINING APPLICATIONS, NOR IN PRODUCTS OR SYSTEMS WHERE FAILURE OR MALFUNCTION MAY RESULT IN PERSONAL INJURY, DEATH, OR SEVERE PROPERTY OR ENVIRONMENTAL DAMAGE. ST PRODUCTS WHICH ARE NOT SPECIFIED AS "AUTOMOTIVE GRADE" MAY ONLY BE USED IN AUTOMOTIVE APPLICATIONS AT USER'S OWN RISK.

Resale of ST products with provisions different from the statements and/or technical features set forth in this document shall immediately void any warranty granted by ST for the ST product or service described herein and shall not create or extend in any manner whatsoever, any liability of ST.

ST and the ST logo are trademarks or registered trademarks of ST in various countries.

Information in this document supersedes and replaces all information previously supplied.

The ST logo is a registered trademark of STMicroelectronics. All other names are the property of their respective owners.

© 2007 STMicroelectronics - All rights reserved

STMicroelectronics group of companies

Australia - Belgium - Brazil - Canada - China - Czech Republic - Finland - France - Germany - Hong Kong - India - Israel - Italy - Japan - Malaysia - Malta - Morocco - Singapore - Spain - Sweden - Switzerland - United Kingdom - United States of America

www.st.com