
STM32F205xx, STM32F207xx, STM32F215xx, and STM32F217xx
advanced Arm[®]-based 32-bit MCUs

Introduction

This reference manual is addressed to application developers. It provides complete information on how to use the STM32F205xx, STM32F207xx, STM32F215xx, and STM32F217xx microcontroller memory and peripherals. These devices, are referred to as STM32F20x and STM32F21x throughout the document, unless otherwise specified.

The STM32F20x and STM32F21x constitute a family of microcontrollers with different memory sizes, packages and peripherals.

For ordering information, mechanical and electrical device characteristics, refer to the STM32F20x and STM32F21x datasheets.

For information on programming, erasing and protection of the internal flash memory, refer to PM0059 “*STM32F205/215, STM32F207/217 Flash programming manual*”.

For information on the Arm[®] Cortex[®]-M3 core, refer to the Cortex[®]-M3 *Technical Reference Manual*.

STM32F20x and STM32F21x microcontrollers include ST state-of-the-art patented technology.

Related documents

Available from www.arm.com:

- *Cortex[®]-M3 Technical Reference Manual*, available from <http://infocenter.arm.com>

Available from your STMicroelectronics sales office:

- *STM32F20x and STM32F21x datasheets and errata sheets*
- *STM32F205/215, STM32F207/217 Flash programming manual*
- *Cortex[®]-M3 programming manual (PM0056)*

Contents

1	Documentation conventions	46
1.1	General information	46
1.2	List of abbreviations for registers	46
1.3	Glossary	46
1.4	Peripheral availability	47
2	Memory and bus architecture	48
2.1	System architecture	48
2.1.1	S0: I-bus	49
2.1.2	S1: D-bus	49
2.1.3	S2: S-bus	49
2.1.4	S3, S4: DMA memory bus	49
2.1.5	S5: DMA peripheral bus	50
2.1.6	S6: Ethernet DMA bus	50
2.1.7	S7: USB OTG HS DMA bus	50
2.1.8	BusMatrix	50
2.1.9	AHB/APB bridges (APB)	50
2.2	Memory organization	50
2.3	Memory map	51
2.3.1	Embedded SRAM	53
2.3.2	Bit banding	54
2.3.3	Embedded Flash memory	55
2.3.4	Flash memory read interface	55
2.3.5	Adaptive real-time memory accelerator (ART Accelerator™)	58
2.4	Boot configuration	58
3	CRC calculation unit	61
3.1	CRC introduction	61
3.2	CRC main features	61
3.3	CRC functional description	62
3.4	CRC registers	62
3.4.1	Data register (CRC_DR)	62
3.4.2	Independent data register (CRC_IDR)	62

	3.4.3	Control register (CRC_CR)	63
	3.4.4	CRC register map	63
4		Power control (PWR)	64
	4.1	Power supplies	64
	4.1.1	Independent A/D converter supply and reference voltage	65
	4.1.2	Battery backup domain	65
	4.1.3	Voltage regulator	67
	4.2	Power supply supervisor	68
	4.2.1	Power-on reset (POR)/power-down reset (PDR)	68
	4.2.2	Brownout reset (BOR)	69
	4.2.3	Programmable voltage detector (PVD)	69
	4.3	Low-power modes	70
	4.3.1	Slowing down system clocks	72
	4.3.2	Peripheral clock gating	72
	4.3.3	Sleep mode	73
	4.3.4	Stop mode	74
	4.3.5	Standby mode	76
	4.3.6	Programming the RTC alternate functions to wake up the device from the Stop and Standby modes	78
	4.4	Power control registers	80
	4.4.1	PWR power control register (PWR_CR)	80
	4.4.2	PWR power control/status register (PWR_CSR)	81
	4.4.3	PWR register map	83
5		Reset and clock control (RCC)	84
	5.1	Reset	84
	5.1.1	System reset	84
	5.1.2	Power reset	84
	5.1.3	Backup domain reset	85
	5.2	Clocks	85
	5.2.1	HSE clock	88
	5.2.2	HSI clock	89
	5.2.3	PLL configuration	90
	5.2.4	LSE clock	90
	5.2.5	LSI clock	91
	5.2.6	System clock (SYSCLK) selection	91

5.2.7	Clock security system (CSS)	91
5.2.8	RTC/AWU clock	92
5.2.9	Watchdog clock	92
5.2.10	Clock-out capability	93
5.2.11	Internal/external clock measurement using TIM5/TIM11	93
5.3	RCC registers	95
5.3.1	RCC clock control register (RCC_CR)	95
5.3.2	RCC PLL configuration register (RCC_PLLCFGR)	96
5.3.3	RCC clock configuration register (RCC_CFGR)	98
5.3.4	RCC clock interrupt register (RCC_CIR)	101
5.3.5	RCC AHB1 peripheral reset register (RCC_AHB1RSTR)	103
5.3.6	RCC AHB2 peripheral reset register (RCC_AHB2RSTR)	105
5.3.7	RCC AHB3 peripheral reset register (RCC_AHB3RSTR)	106
5.3.8	RCC APB1 peripheral reset register (RCC_APB1RSTR)	106
5.3.9	RCC APB2 peripheral reset register (RCC_APB2RSTR)	109
5.3.10	RCC AHB1 peripheral clock register (RCC_AHB1ENR)	111
5.3.11	RCC AHB2 peripheral clock enable register (RCC_AHB2ENR)	113
5.3.12	RCC AHB3 peripheral clock enable register (RCC_AHB3ENR)	114
5.3.13	RCC APB1 peripheral clock enable register (RCC_APB1ENR)	114
5.3.14	RCC APB2 peripheral clock enable register (RCC_APB2ENR)	117
5.3.15	RCC AHB1 peripheral clock enable in low power mode register (RCC_AHB1LPENR)	118
5.3.16	RCC AHB2 peripheral clock enable in low power mode register (RCC_AHB2LPENR)	121
5.3.17	RCC AHB3 peripheral clock enable in low power mode register (RCC_AHB3LPENR)	121
5.3.18	RCC APB1 peripheral clock enable in low power mode register (RCC_APB1LPENR)	122
5.3.19	RCC APB2 peripheral clock enabled in low power mode register (RCC_APB2LPENR)	125
5.3.20	RCC Backup domain control register (RCC_BDCR)	126
5.3.21	RCC clock control & status register (RCC_CSR)	128
5.3.22	RCC spread spectrum clock generation register (RCC_SSCGR)	129
5.3.23	RCC PLLI2S configuration register (RCC_PLLI2SCFGR)	130
5.3.24	RCC register map	132
6	General-purpose I/Os (GPIO)	135
6.1	GPIO introduction	135

6.2	GPIO main features	135
6.3	GPIO functional description	135
6.3.1	General-purpose I/O (GPIO)	137
6.3.2	I/O pin multiplexer and mapping	138
6.3.3	I/O port control registers	141
6.3.4	I/O port data registers	141
6.3.5	I/O data bitwise handling	141
6.3.6	GPIO locking mechanism	141
6.3.7	I/O alternate function input/output	142
6.3.8	External interrupt/wake-up lines	142
6.3.9	Input configuration	142
6.3.10	Output configuration	143
6.3.11	Alternate function configuration	144
6.3.12	Analog configuration	145
6.3.13	Using the OSC32_IN/OSC32_OUT pins as GPIO PC14/PC15 port pins	145
6.3.14	Using the OSC_IN/OSC_OUT pins as GPIO PH0/PH1 port pins	145
6.3.15	Selection of RTC_AF1 and RTC_AF2 alternate functions	146
6.4	GPIO registers	148
6.4.1	GPIO port mode register (GPIOx_MODER) (x = A..I)	148
6.4.2	GPIO port output type register (GPIOx_OTYPER) (x = A..I)	148
6.4.3	GPIO port output speed register (GPIOx_OSPEEDR) (x = A..I)	149
6.4.4	GPIO port pull-up/pull-down register (GPIOx_PUPDR) (x = A..I)	149
6.4.5	GPIO port input data register (GPIOx_IDR) (x = A..I)	150
6.4.6	GPIO port output data register (GPIOx_ODR) (x = A..I)	150
6.4.7	GPIO port bit set/reset register (GPIOx_BSRR) (x = A..I)	150
6.4.8	GPIO port configuration lock register (GPIOx_LCKR) (x = A..I)	151
6.4.9	GPIO alternate function low register (GPIOx_AFRL) (x = A..I)	152
6.4.10	GPIO alternate function high register (GPIOx_AFRH) (x = A..I)	153
6.4.11	GPIO register map	154
7	System configuration controller (SYSCFG)	156
7.1	I/O compensation cell	156

7.2	SYSCFG registers	156
7.2.1	SYSCFG memory remap register (SYSCFG_MEMRMP)	156
7.2.2	SYSCFG peripheral mode configuration register (SYSCFG_PMC) ..	157
7.2.3	SYSCFG external interrupt configuration register 1 (SYSCFG_EXTICR1)	157
7.2.4	SYSCFG external interrupt configuration register 2 (SYSCFG_EXTICR2)	158
7.2.5	SYSCFG external interrupt configuration register 3 (SYSCFG_EXTICR3)	158
7.2.6	SYSCFG external interrupt configuration register 4 (SYSCFG_EXTICR4)	159
7.2.7	Compensation cell control register (SYSCFG_CMPCR)	159
7.2.8	SYSCFG register map	160
8	Interrupts and events	161
8.1	Nested vectored interrupt controller (NVIC)	161
8.1.1	NVIC features	161
8.1.2	SysTick calibration value register	161
8.1.3	Interrupt and exception vectors	161
8.2	External interrupt/event controller (EXTI)	165
8.2.1	EXTI main features	165
8.2.2	EXTI block diagram	166
8.2.3	Wake-up event management	166
8.2.4	Functional description	166
8.2.5	External interrupt/event line mapping	168
8.3	EXTI registers	169
8.3.1	Interrupt mask register (EXTI_IMR)	169
8.3.2	Event mask register (EXTI_EMR)	169
8.3.3	Rising trigger selection register (EXTI_RTISR)	170
8.3.4	Falling trigger selection register (EXTI_FTISR)	170
8.3.5	Software interrupt event register (EXTI_SWIER)	171
8.3.6	Pending register (EXTI_PR)	171
8.3.7	EXTI register map	172
9	DMA controller (DMA)	173
9.1	DMA introduction	173
9.2	DMA main features	173
9.3	DMA functional description	175

9.3.1	General description	175
9.3.2	DMA transactions	176
9.3.3	Channel selection	177
9.3.4	Arbiter	178
9.3.5	DMA streams	178
9.3.6	Source, destination and transfer modes	179
9.3.7	Pointer incrementation	182
9.3.8	Circular mode	183
9.3.9	Double buffer mode	183
9.3.10	Programmable data width, packing/unpacking, endianness	184
9.3.11	Single and burst transfers	186
9.3.12	FIFO	187
9.3.13	DMA transfer completion	189
9.3.14	DMA transfer suspension	190
9.3.15	Flow controller	190
9.3.16	Summary of the possible DMA configurations	192
9.3.17	Stream configuration procedure	192
9.3.18	Error management	193
9.4	DMA interrupts	194
9.5	DMA registers	195
9.5.1	DMA low interrupt status register (DMA_LISR)	195
9.5.2	DMA high interrupt status register (DMA_HISR)	196
9.5.3	DMA low interrupt flag clear register (DMA_LIFCR)	197
9.5.4	DMA high interrupt flag clear register (DMA_HIFCR)	197
9.5.5	DMA stream x configuration register (DMA_SxCR) (x = 0..7)	198
9.5.6	DMA stream x number of data register (DMA_SxNDTR) (x = 0..7)	201
9.5.7	DMA stream x peripheral address register (DMA_SxPAR) (x = 0..7)	201
9.5.8	DMA stream x memory 0 address register (DMA_SxM0AR) (x = 0..7)	202
9.5.9	DMA stream x memory 1 address register (DMA_SxM1AR) (x = 0..7)	202
9.5.10	DMA stream x FIFO control register (DMA_SxFCR) (x = 0..7)	203
9.5.11	DMA register map	205
10	Analog-to-digital converter (ADC)	209
10.1	ADC introduction	209
10.2	ADC main features	209
10.3	ADC functional description	210
10.3.1	ADC on-off control	211

10.3.2	ADC clock	211
10.3.3	Channel selection	211
10.3.4	Single conversion mode	212
10.3.5	Continuous conversion mode	212
10.3.6	Timing diagram	213
10.3.7	Analog watchdog	213
10.3.8	Scan mode	214
10.3.9	Injected channel management	214
10.3.10	Discontinuous mode	215
10.4	Data alignment	217
10.5	Channel-wise programmable sampling time	218
10.6	Conversion on external trigger and trigger polarity	218
10.7	Fast conversion mode	220
10.8	Data management	221
10.8.1	Using the DMA	221
10.8.2	Managing a sequence of conversions without using the DMA	221
10.8.3	Conversions without DMA and without overrun detection	222
10.9	Multi ADC mode	222
10.9.1	Injected simultaneous mode	225
10.9.2	Regular simultaneous mode	226
10.9.3	Interleaved mode	228
10.9.4	Alternate trigger mode	229
10.9.5	Combined regular/injected simultaneous mode	231
10.9.6	Combined regular simultaneous + alternate trigger mode	232
10.10	Temperature sensor	233
10.11	Battery charge monitoring	235
10.12	ADC interrupts	235
10.13	ADC registers	236
10.13.1	ADC status register (ADC_SR)	236
10.13.2	ADC control register 1 (ADC_CR1)	237
10.13.3	ADC control register 2 (ADC_CR2)	239
10.13.4	ADC sample time register 1 (ADC_SMPR1)	241
10.13.5	ADC sample time register 2 (ADC_SMPR2)	241
10.13.6	ADC injected channel data offset register x (ADC_JOFRx) (x=1..4)	242
10.13.7	ADC watchdog higher threshold register (ADC_HTR)	242
10.13.8	ADC watchdog lower threshold register (ADC_LTR)	243

10.13.9	ADC regular sequence register 1 (ADC_SQR1)	243
10.13.10	ADC regular sequence register 2 (ADC_SQR2)	244
10.13.11	ADC regular sequence register 3 (ADC_SQR3)	244
10.13.12	ADC injected sequence register (ADC_JSQR)	245
10.13.13	ADC injected data register x (ADC_JDRx) (x= 1..4)	246
10.13.14	ADC regular data register (ADC_DR)	246
10.13.15	ADC Common status register (ADC_CSR)	247
10.13.16	ADC common control register (ADC_CCR)	247
10.13.17	ADC common regular data register for dual and triple modes (ADC_CDR)	250
10.13.18	ADC register map	250
11	Digital-to-analog converter (DAC)	253
11.1	DAC introduction	253
11.2	DAC main features	253
11.3	DAC functional description	255
11.3.1	DAC channel enable	255
11.3.2	DAC output buffer enable	255
11.3.3	DAC data format	255
11.3.4	DAC conversion	256
11.3.5	DAC output voltage	257
11.3.6	DAC trigger selection	257
11.3.7	DMA request	258
11.3.8	Noise generation	258
11.3.9	Triangle-wave generation	259
11.4	Dual DAC channel conversion	260
11.4.1	Independent trigger without wave generation	261
11.4.2	Independent trigger with single LFSR generation	261
11.4.3	Independent trigger with different LFSR generation	261
11.4.4	Independent trigger with single triangle generation	262
11.4.5	Independent trigger with different triangle generation	262
11.4.6	Simultaneous software start	262
11.4.7	Simultaneous trigger without wave generation	263
11.4.8	Simultaneous trigger with single LFSR generation	263
11.4.9	Simultaneous trigger with different LFSR generation	263
11.4.10	Simultaneous trigger with single triangle generation	264
11.4.11	Simultaneous trigger with different triangle generation	264

11.5	DAC registers	265
11.5.1	DAC control register (DAC_CR)	265
11.5.2	DAC software trigger register (DAC_SWTRIGR)	268
11.5.3	DAC channel1 12-bit right-aligned data holding register (DAC_DHR12R1)	268
11.5.4	DAC channel1 12-bit left aligned data holding register (DAC_DHR12L1)	269
11.5.5	DAC channel1 8-bit right aligned data holding register (DAC_DHR8R1)	269
11.5.6	DAC channel2 12-bit right aligned data holding register (DAC_DHR12R2)	270
11.5.7	DAC channel2 12-bit left aligned data holding register (DAC_DHR12L2)	270
11.5.8	DAC channel2 8-bit right-aligned data holding register (DAC_DHR8R2)	270
11.5.9	Dual DAC 12-bit right-aligned data holding register (DAC_DHR12RD)	271
11.5.10	DUAL DAC 12-bit left aligned data holding register (DAC_DHR12LD)	271
11.5.11	DUAL DAC 8-bit right aligned data holding register (DAC_DHR8RD)	272
11.5.12	DAC channel1 data output register (DAC_DOR1)	272
11.5.13	DAC channel2 data output register (DAC_DOR2)	272
11.5.14	DAC status register (DAC_SR)	273
11.5.15	DAC register map	273
12	Digital camera interface (DCMI)	275
12.1	DCMI introduction	275
12.2	DCMI main features	275
12.3	DCMI pins	275
12.4	DCMI clocks	275
12.5	DCMI functional overview	276
12.5.1	DMA interface	277
12.5.2	DCMI physical interface	277
12.5.3	Synchronization	279
12.5.4	Capture modes	281
12.5.5	Crop feature	283
12.5.6	JPEG format	285
12.5.7	FIFO	285

12.6	Data format description	285
12.6.1	Data formats	285
12.6.2	Monochrome format	286
12.6.3	RGB format	286
12.6.4	YCbCr format	286
12.7	DCMI interrupts	287
12.8	DCMI register description	287
12.8.1	DCMI control register 1 (DCMI_CR)	287
12.8.2	DCMI status register (DCMI_SR)	289
12.8.3	DCMI raw interrupt status register (DCMI_RIS)	290
12.8.4	DCMI interrupt enable register (DCMI_IER)	291
12.8.5	DCMI masked interrupt status register (DCMI_MIS)	292
12.8.6	DCMI interrupt clear register (DCMI_ICR)	293
12.8.7	DCMI embedded synchronization code register (DCMI_ESCR)	293
12.8.8	DCMI embedded synchronization unmask register (DCMI_ESUR)	294
12.8.9	DCMI crop window start (DCMI_CWSTRT)	295
12.8.10	DCMI crop window size (DCMI_CWSIZE)	295
12.8.11	DCMI data register (DCMI_DR)	296
12.8.12	DCMI register map	296
13	Advanced-control timers (TIM1 and TIM8)	298
13.1	TIM1 and TIM8 introduction	298
13.2	TIM1 and TIM8 main features	298
13.3	TIM1 and TIM8 functional description	300
13.3.1	Time-base unit	300
13.3.2	Counter modes	302
13.3.3	Repetition counter	311
13.3.4	Clock selection	313
13.3.5	Capture/compare channels	316
13.3.6	Input capture mode	319
13.3.7	PWM input mode	320
13.3.8	Forced output mode	320
13.3.9	Output compare mode	321
13.3.10	PWM mode	322
13.3.11	Complementary outputs and dead-time insertion	325
13.3.12	Using the break function	327

13.3.13	Clearing the OCxREF signal on an external event	330
13.3.14	6-step PWM generation	331
13.3.15	One-pulse mode	332
13.3.16	Encoder interface mode	333
13.3.17	Timer input XOR function	336
13.3.18	Interfacing with Hall sensors	336
13.3.19	TIMx and external trigger synchronization	338
13.3.20	Timer synchronization	341
13.3.21	Debug mode	341
13.4	TIM1 and TIM8 registers	342
13.4.1	TIM1 and TIM8 control register 1 (TIMx_CR1)	342
13.4.2	TIM1 and TIM8 control register 2 (TIMx_CR2)	343
13.4.3	TIM1 and TIM8 slave mode control register (TIMx_SMCR)	345
13.4.4	TIM1 and TIM8 DMA/interrupt enable register (TIMx_DIER)	347
13.4.5	TIM1 and TIM8 status register (TIMx_SR)	349
13.4.6	TIM1 and TIM8 event generation register (TIMx_EGR)	350
13.4.7	TIM1 and TIM8 capture/compare mode register 1 (TIMx_CCMR1)	351
13.4.8	TIM1 and TIM8 capture/compare mode register 2 (TIMx_CCMR2)	354
13.4.9	TIM1 and TIM8 capture/compare enable register (TIMx_CCER)	356
13.4.10	TIM1 and TIM8 counter (TIMx_CNT)	359
13.4.11	TIM1 and TIM8 prescaler (TIMx_PSC)	359
13.4.12	TIM1 and TIM8 auto-reload register (TIMx_ARR)	359
13.4.13	TIM1 and TIM8 repetition counter register (TIMx_RCR)	360
13.4.14	TIM1 and TIM8 capture/compare register 1 (TIMx_CCR1)	360
13.4.15	TIM1 and TIM8 capture/compare register 2 (TIMx_CCR2)	361
13.4.16	TIM1 and TIM8 capture/compare register 3 (TIMx_CCR3)	361
13.4.17	TIM1 and TIM8 capture/compare register 4 (TIMx_CCR4)	362
13.4.18	TIM1 and TIM8 break and dead-time register (TIMx_BDTR)	362
13.4.19	TIM1 and TIM8 DMA control register (TIMx_DCR)	364
13.4.20	TIM1 and TIM8 DMA address for full transfer (TIMx_DMAR)	365
13.4.21	TIM1 and TIM8 register map	366
14	General-purpose timers (TIM2 to TIM5)	368
14.1	TIM2 to TIM5 introduction	368
14.2	TIM2 to TIM5 main features	368
14.3	TIM2 to TIM5 functional description	370
14.3.1	Time-base unit	370

14.3.2	Counter modes	371
14.3.3	Clock selection	381
14.3.4	Capture/compare channels	384
14.3.5	Input capture mode	386
14.3.6	PWM input mode	387
14.3.7	Forced output mode	388
14.3.8	Output compare mode	388
14.3.9	PWM mode	389
14.3.10	One-pulse mode	392
14.3.11	Clearing the OCxREF signal on an external event	393
14.3.12	Encoder interface mode	394
14.3.13	Timer input XOR function	397
14.3.14	Timers and external trigger synchronization	397
14.3.15	Timer synchronization	400
14.3.16	Debug mode	405
14.4	TIM2 to TIM5 registers	406
14.4.1	TIMx control register 1 (TIMx_CR1)	406
14.4.2	TIMx control register 2 (TIMx_CR2)	407
14.4.3	TIMx slave mode control register (TIMx_SMCR)	408
14.4.4	TIMx DMA/Interrupt enable register (TIMx_DIER)	411
14.4.5	TIMx status register (TIMx_SR)	412
14.4.6	TIMx event generation register (TIMx_EGR)	413
14.4.7	TIMx capture/compare mode register 1 (TIMx_CCMR1)	414
14.4.8	TIMx capture/compare mode register 2 (TIMx_CCMR2)	417
14.4.9	TIMx capture/compare enable register (TIMx_CCER)	418
14.4.10	TIMx counter (TIMx_CNT)	420
14.4.11	TIMx prescaler (TIMx_PSC)	420
14.4.12	TIMx auto-reload register (TIMx_ARR)	420
14.4.13	TIMx capture/compare register 1 (TIMx_CCR1)	421
14.4.14	TIMx capture/compare register 2 (TIMx_CCR2)	421
14.4.15	TIMx capture/compare register 3 (TIMx_CCR3)	422
14.4.16	TIMx capture/compare register 4 (TIMx_CCR4)	422
14.4.17	TIMx DMA control register (TIMx_DCR)	423
14.4.18	TIMx DMA address for full transfer (TIMx_DMAR)	423
14.4.19	TIM2 option register (TIM2_OR)	424
14.4.20	TIM5 option register (TIM5_OR)	425
14.4.21	TIMx register map	426

15	General-purpose timers (TIM9 to TIM14)	428
15.1	TIM9 to TIM14 introduction	428
15.2	TIM9 to TIM14 main features	428
15.2.1	TIM9/TIM12 main features	428
15.2.2	TIM10/TIM11 and TIM13/TIM14 main features	429
15.3	TIM9 to TIM14 functional description	431
15.3.1	Time-base unit	431
15.3.2	Counter modes	433
15.3.3	Clock selection	436
15.3.4	Capture/compare channels	438
15.3.5	Input capture mode	439
15.3.6	PWM input mode (only for TIM9/12)	441
15.3.7	Forced output mode	442
15.3.8	Output compare mode	442
15.3.9	PWM mode	443
15.3.10	One-pulse mode	444
15.3.11	TIM9/12 external trigger synchronization	446
15.3.12	Timer synchronization (TIM9/12)	449
15.3.13	Debug mode	449
15.4	TIM9 and TIM12 registers	450
15.4.1	TIM9/12 control register 1 (TIMx_CR1)	450
15.4.2	TIM9/12 control register 2 (TIMx_CR2)	451
15.4.3	TIM9/12 slave mode control register (TIMx_SMCR)	452
15.4.4	TIM9/12 Interrupt enable register (TIMx_DIER)	453
15.4.5	TIM9/12 status register (TIMx_SR)	455
15.4.6	TIM9/12 event generation register (TIMx_EGR)	456
15.4.7	TIM9/12 capture/compare mode register 1 (TIMx_CCMR1)	457
15.4.8	TIM9/12 capture/compare enable register (TIMx_CCER)	460
15.4.9	TIM9/12 counter (TIMx_CNT)	461
15.4.10	TIM9/12 prescaler (TIMx_PSC)	461
15.4.11	TIM9/12 auto-reload register (TIMx_ARR)	461
15.4.12	TIM9/12 capture/compare register 1 (TIMx_CCR1)	462
15.4.13	TIM9/12 capture/compare register 2 (TIMx_CCR2)	462
15.4.14	TIM9/12 register map	463
15.5	TIM10/11/13/14 registers	465
15.5.1	TIM10/11/13/14 control register 1 (TIMx_CR1)	465

15.5.2	TIM10/11/13/14 Interrupt enable register (TIMx_DIER)	466
15.5.3	TIM10/11/13/14 status register (TIMx_SR)	466
15.5.4	TIM10/11/13/14 event generation register (TIMx_EGR)	467
15.5.5	TIM10/11/13/14 capture/compare mode register 1 (TIMx_CCMR1)	467
15.5.6	TIM10/11/13/14 capture/compare enable register (TIMx_CCER)	470
15.5.7	TIM10/11/13/14 counter (TIMx_CNT)	471
15.5.8	TIM10/11/13/14 prescaler (TIMx_PSC)	471
15.5.9	TIM10/11/13/14 auto-reload register (TIMx_ARR)	471
15.5.10	TIM10/11/13/14 capture/compare register 1 (TIMx_CCR1)	472
15.5.11	TIM11 option register 1 (TIM11_OR)	472
15.5.12	TIM10/11/13/14 register map	473
16	Basic timers (TIM6 and TIM7)	475
16.1	TIM6 and TIM7 introduction	475
16.2	TIM6 and TIM7 main features	475
16.3	TIM6 and TIM7 functional description	476
16.3.1	Time-base unit	476
16.3.2	Counting mode	478
16.3.3	Clock source	480
16.3.4	Debug mode	481
16.4	TIM6 and TIM7 registers	481
16.4.1	TIM6 and TIM7 control register 1 (TIMx_CR1)	481
16.4.2	TIM6 and TIM7 control register 2 (TIMx_CR2)	483
16.4.3	TIM6 and TIM7 DMA/Interrupt enable register (TIMx_DIER)	483
16.4.4	TIM6 and TIM7 status register (TIMx_SR)	484
16.4.5	TIM6 and TIM7 event generation register (TIMx_EGR)	484
16.4.6	TIM6 and TIM7 counter (TIMx_CNT)	484
16.4.7	TIM6 and TIM7 prescaler (TIMx_PSC)	485
16.4.8	TIM6 and TIM7 auto-reload register (TIMx_ARR)	485
16.4.9	TIM6 and TIM7 register map	486
17	Independent watchdog (IWDG)	487
17.1	IWDG introduction	487
17.2	IWDG main features	487
17.3	IWDG functional description	487
17.3.1	Hardware watchdog	487

17.3.2	Register access protection	488
17.3.3	Debug mode	488
17.4	IWDG registers	489
17.4.1	Key register (IWDG_KR)	489
17.4.2	Prescaler register (IWDG_PR)	489
17.4.3	Reload register (IWDG_RLR)	490
17.4.4	Status register (IWDG_SR)	490
17.4.5	IWDG register map	491
18	Window watchdog (WWDG)	492
18.1	WWDG introduction	492
18.2	WWDG main features	492
18.3	WWDG functional description	492
18.4	How to program the watchdog timeout	494
18.5	Debug mode	495
18.6	WWDG registers	496
18.6.1	Control register (WWDG_CR)	496
18.6.2	Configuration register (WWDG_CFR)	497
18.6.3	Status register (WWDG_SR)	497
18.6.4	WWDG register map	498
19	Cryptographic processor (CRYP)	499
19.1	CRYP introduction	499
19.2	CRYP main features	499
19.3	CRYP functional description	501
19.3.1	DES/TDES cryptographic core	501
19.3.2	AES cryptographic core	506
19.3.3	Data type	513
19.3.4	Initialization vectors - CRYP_IV0...1(L/R)	515
19.3.5	CRYP busy state	517
19.3.6	Procedure to perform an encryption or a decryption	518
19.3.7	Context swapping	519
19.4	CRYP interrupts	521
19.5	CRYP DMA interface	522
19.6	CRYP registers	522
19.6.1	CRYP control register (CRYP_CR)	522

19.6.2	CRYP status register (CRYP_SR)	525
19.6.3	CRYP data input register (CRYP_DIN)	526
19.6.4	CRYP data output register (CRYP_DOUT)	527
19.6.5	CRYP DMA control register (CRYP_DMACR)	528
19.6.6	CRYP interrupt mask set/clear register (CRYP_IMSCR)	528
19.6.7	CRYP raw interrupt status register (CRYP_RISR)	529
19.6.8	CRYP masked interrupt status register (CRYP_MISR)	529
19.6.9	CRYP key registers (CRYP_K0...3(L/R)R)	530
19.6.10	CRYP initialization vector registers (CRYP_IV0...1(L/R)R)	532
19.6.11	CRYP register map	533
20	Random number generator (RNG)	535
20.1	RNG introduction	535
20.2	RNG main features	535
20.3	RNG functional description	535
20.3.1	Operation	536
20.3.2	Error management	536
20.4	RNG registers	536
20.4.1	RNG control register (RNG_CR)	537
20.4.2	RNG status register (RNG_SR)	537
20.4.3	RNG data register (RNG_DR)	538
20.4.4	RNG register map	539
21	Hash processor (HASH)	540
21.1	HASH introduction	540
21.2	HASH main features	540
21.3	HASH functional description	540
21.3.1	Duration of the processing	543
21.3.2	Data type	543
21.3.3	Message digest computing	545
21.3.4	Message padding	546
21.3.5	Hash operation	547
21.3.6	HMAC operation	547
21.3.7	Context swapping	548
21.3.8	HASH interrupt	549
21.4	HASH registers	550

21.4.1	HASH control register (HASH_CR)	550
21.4.2	HASH data input register (HASH_DIN)	553
21.4.3	HASH start register (HASH_STR)	554
21.4.4	HASH digest registers (HASH_HR0..4)	555
21.4.5	HASH interrupt enable register (HASH_IMR)	556
21.4.6	HASH status register (HASH_SR)	557
21.4.7	HASH context swap registers (HASH_CSRx)	558
21.4.8	HASH register map	559
22	Real-time clock (RTC)	561
22.1	Introduction	561
22.2	RTC main features	562
22.3	RTC functional description	563
22.3.1	Clock and prescalers	563
22.3.2	Real-time clock and calendar	564
22.3.3	Programmable alarms	564
22.3.4	Periodic auto-wakeup	564
22.3.5	RTC initialization and configuration	565
22.3.6	Reading the calendar	567
22.3.7	Resetting the RTC	567
22.3.8	RTC reference clock detection	568
22.3.9	RTC coarse digital calibration	569
22.3.10	Timestamp function	569
22.3.11	Tamper detection	570
22.3.12	Calibration clock output	571
22.3.13	Alarm output	572
22.4	RTC and low-power modes	572
22.5	RTC interrupts	572
22.6	RTC registers	574
22.6.1	RTC time register (RTC_TR)	574
22.6.2	RTC date register (RTC_DR)	575
22.6.3	RTC control register (RTC_CR)	576
22.6.4	RTC initialization and status register (RTC_ISR)	578
22.6.5	RTC prescaler register (RTC_PRER)	580
22.6.6	RTC wake-up timer register (RTC_WUTR)	580
22.6.7	RTC calibration register (RTC_CALIBR)	581

22.6.8	RTC alarm A register (RTC_ALRMAR)	582
22.6.9	RTC alarm B register (RTC_ALRMBR)	583
22.6.10	RTC write protection register (RTC_WPR)	584
22.6.11	RTC time stamp time register (RTC_TSTR)	584
22.6.12	RTC time stamp date register (RTC_TSDR)	585
22.6.13	RTC tamper and alternate function configuration register (RTC_TAFCR)	586
22.6.14	RTC backup registers (RTC_BKPxR)	587
22.6.15	RTC register map	587
23	Inter-integrated circuit (I2C) interface	589
23.1	I ² C introduction	589
23.2	I ² C main features	589
23.3	I ² C functional description	590
23.3.1	Mode selection	590
23.3.2	I2C target mode	592
23.3.3	I2C controller mode	594
23.3.4	Error conditions	599
23.3.5	SDA/SCL line control	600
23.3.6	SMBus	600
23.3.7	DMA requests	603
23.3.8	Packet error checking	605
23.4	I ² C interrupts	605
23.5	I ² C debug mode	607
23.6	I ² C registers	607
23.6.1	I ² C Control register 1 (I2C_CR1)	607
23.6.2	I ² C Control register 2 (I2C_CR2)	609
23.6.3	I ² C Own address register 1 (I2C_OAR1)	611
23.6.4	I ² C Own address register 2 (I2C_OAR2)	611
23.6.5	I ² C Data register (I2C_DR)	612
23.6.6	I ² C Status register 1 (I2C_SR1)	612
23.6.7	I ² C Status register 2 (I2C_SR2)	615
23.6.8	I ² C Clock control register (I2C_CCR)	617
23.6.9	I ² C TRISE register (I2C_TRISE)	618
23.6.10	I2C register map	619

24	Universal synchronous asynchronous receiver transmitter (USART)	620
24.1	USART introduction	620
24.2	USART main features	620
24.3	USART functional description	621
24.3.1	USART character description	624
24.3.2	Transmitter	625
24.3.3	Receiver	628
24.3.4	Fractional baud rate generation	633
24.3.5	USART receiver tolerance to clock deviation	641
24.3.6	Multiprocessor communication	642
24.3.7	Parity control	644
24.3.8	LIN (local interconnection network) mode	645
24.3.9	USART synchronous mode	647
24.3.10	Single-wire half-duplex communication	649
24.3.11	Smartcard	650
24.3.12	IrDA SIR ENDEC block	652
24.3.13	Continuous communication using DMA	654
24.3.14	Hardware flow control	656
24.4	USART interrupts	659
24.5	USART mode configuration	660
24.6	USART registers	660
24.6.1	Status register (USART_SR)	660
24.6.2	Data register (USART_DR)	663
24.6.3	Baud rate register (USART_BRR)	663
24.6.4	Control register 1 (USART_CR1)	663
24.6.5	Control register 2 (USART_CR2)	666
24.6.6	Control register 3 (USART_CR3)	667
24.6.7	Guard time and prescaler register (USART_GTPR)	670
24.6.8	USART register map	671
25	Serial peripheral interface (SPI)	672
25.1	SPI introduction	672
25.2	SPI and I ² S main features	673
25.2.1	SPI features	673
25.2.2	I ² S features	673

25.3	SPI functional description	675
25.3.1	General description	675
25.3.2	Configuring the SPI in slave mode	679
25.3.3	Configuring the SPI in master mode	681
25.3.4	Configuring the SPI for half-duplex communication	683
25.3.5	Data transmission and reception procedures	684
25.3.6	CRC calculation	690
25.3.7	Status flags	691
25.3.8	Disabling the SPI	692
25.3.9	SPI communication using DMA (direct memory addressing)	693
25.3.10	Error flags	695
25.3.11	SPI interrupts	697
25.4	I ² S functional description	698
25.4.1	I ² S general description	698
25.4.2	Supported audio protocols	699
25.4.3	Clock generator	706
25.4.4	I ² S master mode	708
25.4.5	I ² S slave mode	710
25.4.6	Status flags	712
25.4.7	Error flags	713
25.4.8	I ² S interrupts	713
25.4.9	DMA features	714
25.5	SPI and I ² S registers	715
25.5.1	SPI control register 1 (SPI_CR1) (not used in I ² S mode)	715
25.5.2	SPI control register 2 (SPI_CR2)	717
25.5.3	SPI status register (SPI_SR)	718
25.5.4	SPI data register (SPI_DR)	719
25.5.5	SPI CRC polynomial register (SPI_CRCPR) (not used in I ² S mode)	719
25.5.6	SPI RX CRC register (SPI_RXCRCR) (not used in I ² S mode)	720
25.5.7	SPI TX CRC register (SPI_TXCRCR) (not used in I ² S mode)	720
25.5.8	SPI_I ² S configuration register (SPI_I2SCFGR)	721
25.5.9	SPI_I ² S prescaler register (SPI_I2SPR)	722
25.5.10	SPI register map	723
26	Secure digital input/output interface (SDIO)	724
26.1	SDIO main features	724

26.2	SDIO bus topology	725
26.3	SDIO functional description	727
26.3.1	SDIO adapter	728
26.3.2	SDIO APB2 interface	738
26.4	Card functional description	739
26.4.1	Card identification mode	739
26.4.2	Card reset	739
26.4.3	Operating voltage range validation	739
26.4.4	Card identification process	740
26.4.5	Block write	741
26.4.6	Block read	741
26.4.7	Stream access, stream write and stream read (MultiMediaCard only)	742
26.4.8	Erase: group erase and sector erase	743
26.4.9	Wide bus selection or deselection	744
26.4.10	Protection management	744
26.4.11	Card status register	747
26.4.12	SD status register	750
26.4.13	SD I/O mode	754
26.4.14	Commands and responses	755
26.5	Response formats	758
26.5.1	R1 (normal response command)	759
26.5.2	R1b	759
26.5.3	R2 (CID, CSD register)	759
26.5.4	R3 (OCR register)	759
26.5.5	R4 (Fast I/O)	760
26.5.6	R4b	760
26.5.7	R5 (interrupt request)	761
26.5.8	R6	761
26.6	SDIO I/O card-specific operations	762
26.6.1	SDIO I/O read wait operation by SDIO_D2 signaling	762
26.6.2	SDIO read wait operation by stopping SDIO_CK	762
26.6.3	SDIO suspend/resume operation	763
26.6.4	SDIO interrupts	763
26.7	CE-ATA specific operations	763
26.7.1	Command completion signal disable	763
26.7.2	Command completion signal enable	763

26.7.3	CE-ATA interrupt	764
26.7.4	Aborting CMD61	764
26.8	HW flow control	764
26.9	SDIO registers	764
26.9.1	SDIO power control register (SDIO_POWER)	764
26.9.2	SDI clock control register (SDIO_CLKCR)	765
26.9.3	SDIO argument register (SDIO_ARG)	766
26.9.4	SDIO command register (SDIO_CMD)	766
26.9.5	SDIO command response register (SDIO_RESPCMD)	767
26.9.6	SDIO response 1..4 register (SDIO_RESPx)	768
26.9.7	SDIO data timer register (SDIO_DTIMER)	768
26.9.8	SDIO data length register (SDIO_DLEN)	769
26.9.9	SDIO data control register (SDIO_DCTRL)	770
26.9.10	SDIO data counter register (SDIO_DCOUNT)	771
26.9.11	SDIO status register (SDIO_STA)	771
26.9.12	SDIO interrupt clear register (SDIO_ICR)	773
26.9.13	SDIO mask register (SDIO_MASK)	774
26.9.14	SDIO FIFO counter register (SDIO_FIFOCNT)	777
26.9.15	SDIO data FIFO register (SDIO_FIFO)	777
26.9.16	SDIO register map	778
27	Controller area network (bxCAN)	779
27.1	bxCAN introduction	779
27.2	bxCAN main features	779
27.3	bxCAN general description	780
27.3.1	CAN 2.0B active core	780
27.3.2	Control, status and configuration registers	781
27.3.3	Tx mailboxes	781
27.3.4	Acceptance filters	781
27.4	bxCAN operating modes	782
27.4.1	Initialization mode	783
27.4.2	Normal mode	783
27.4.3	Sleep mode (low-power)	783
27.5	Test mode	784
27.5.1	Silent mode	784
27.5.2	Loop back mode	785

27.5.3	Loop back combined with silent mode	785
27.6	Debug mode	786
27.7	bxCAN functional description	786
27.7.1	Transmission handling	786
27.7.2	Time triggered communication mode	788
27.7.3	Reception handling	788
27.7.4	Identifier filtering	790
27.7.5	Message storage	794
27.7.6	Error management	796
27.7.7	Bit timing	796
27.8	bxCAN interrupts	798
27.9	CAN registers	800
27.9.1	Register access protection	800
27.9.2	CAN control and status registers	800
27.9.3	CAN mailbox registers	809
27.9.4	CAN filter registers	814
27.9.5	bxCAN register map	819
28	Ethernet (ETH): media access control (MAC) with DMA controller	823
28.1	Ethernet introduction	823
28.2	Ethernet main features	823
28.2.1	MAC core features	824
28.2.2	DMA features	825
28.2.3	PTP features	825
28.3	Ethernet pins	826
28.4	Ethernet functional description: SMI, MII and RMII	827
28.4.1	Station management interface: SMI	827
28.4.2	Media-independent interface: MII	830
28.4.3	Reduced media-independent interface: RMII	832
28.4.4	MII/RMII selection	834
28.5	Ethernet functional description: MAC 802.3	834
28.5.1	MAC 802.3 frame format	835
28.5.2	MAC frame transmission	839
28.5.3	MAC frame reception	846
28.5.4	MAC interrupts	851

28.5.5	MAC filtering	851
28.5.6	MAC loopback mode	854
28.5.7	MAC management counters: MMC	854
28.5.8	Power management: PMT	855
28.5.9	Precision time protocol (IEEE1588 PTP)	859
28.6	Ethernet functional description: DMA controller operation	865
28.6.1	Initialization of a transfer using DMA	866
28.6.2	Host bus burst access	866
28.6.3	Host data buffer alignment	867
28.6.4	Buffer size calculations	867
28.6.5	DMA arbiter	868
28.6.6	Error response to DMA	868
28.6.7	Tx DMA configuration	868
28.6.8	Rx DMA configuration	880
28.6.9	DMA interrupts	890
28.7	Ethernet interrupts	891
28.8	Ethernet register descriptions	892
28.8.1	MAC register description	892
28.8.2	MMC register description	909
28.8.3	IEEE 1588 time stamp registers	915
28.8.4	DMA register description	921
28.8.5	Ethernet register maps	935
29	USB on-the-go full-speed (OTG_FS)	939
29.1	OTG_FS introduction	939
29.2	OTG_FS main features	940
29.2.1	General features	940
29.2.2	Host-mode features	941
29.2.3	Peripheral-mode features	941
29.3	OTG_FS functional description	942
29.3.1	OTG pins	942
29.3.2	OTG full-speed core	942
29.3.3	Full-speed OTG PHY	943
29.4	OTG dual role device (DRD)	944
29.4.1	ID line detection	944
29.4.2	HNP dual role device	944

- 29.4.3 SRP dual role device 945
- 29.5 USB peripheral 945
 - 29.5.1 SRP-capable peripheral 946
 - 29.5.2 Peripheral states 946
 - 29.5.3 Peripheral endpoints 947
- 29.6 USB host 949
 - 29.6.1 SRP-capable host 950
 - 29.6.2 USB host states 950
 - 29.6.3 Host channels 952
 - 29.6.4 Host scheduler 953
- 29.7 SOF trigger 954
 - 29.7.1 Host SOFs 954
 - 29.7.2 Peripheral SOFs 955
- 29.8 OTG low-power modes 955
- 29.9 Dynamic update of the OTG_FS_HFIR register 956
- 29.10 USB data FIFOs 957
- 29.11 Peripheral FIFO architecture 958
 - 29.11.1 Peripheral Rx FIFO 958
 - 29.11.2 Peripheral Tx FIFOs 959
- 29.12 Host FIFO architecture 959
 - 29.12.1 Host Rx FIFO 959
 - 29.12.2 Host Tx FIFOs 960
- 29.13 FIFO RAM allocation 960
 - 29.13.1 Device mode 960
 - 29.13.2 Host mode 961
- 29.14 USB system performance 961
- 29.15 OTG_FS interrupts 962
- 29.16 OTG_FS control and status registers 964
 - 29.16.1 CSR memory map 965
 - 29.16.2 OTG_FS global registers 970
 - 29.16.3 Host-mode registers 991
 - 29.16.4 Device-mode registers 1001
 - 29.16.5 OTG_FS power and clock gating control register
(OTG_FS_PCGCCTL) 1024
 - 29.16.6 OTG_FS register map 1025
- 29.17 OTG_FS programming model 1034

	29.17.1	Core initialization	1034
	29.17.2	Host initialization	1035
	29.17.3	Device initialization	1035
	29.17.4	Host programming model	1036
	29.17.5	Device programming model	1052
	29.17.6	Operational model	1054
	29.17.7	Worst case response time	1072
	29.17.8	OTG programming model	1073
30		USB on-the-go high-speed (OTG_HS)	1080
	30.1	OTG_HS introduction	1080
	30.2	OTG_HS main features	1080
	30.2.1	General features	1081
	30.2.2	Host-mode features	1082
	30.2.3	Peripheral-mode features	1082
	30.3	OTG_HS functional description	1082
	30.3.1	OTG pins	1083
	30.3.2	High-speed OTG PHY	1083
	30.3.3	Embedded Full-speed OTG PHY	1084
	30.4	OTG dual-role device	1084
	30.4.1	ID line detection	1084
	30.4.2	HNP dual role device	1084
	30.4.3	SRP dual-role device	1085
	30.5	USB functional description in peripheral mode	1085
	30.5.1	SRP-capable peripheral	1085
	30.5.2	Peripheral states	1086
	30.5.3	Peripheral endpoints	1087
	30.6	USB functional description on host mode	1090
	30.6.1	SRP-capable host	1090
	30.6.2	USB host states	1091
	30.6.3	Host channels	1092
	30.6.4	Host scheduler	1094
	30.7	SOF trigger	1095
	30.7.1	Host SOFs	1095
	30.7.2	Peripheral SOFs	1095
	30.8	OTG_HS low-power modes	1096

30.9	Dynamic update of the OTG_HS_HFIR register	1097
30.10	FIFO RAM allocation	1098
30.10.1	Peripheral mode	1098
30.10.2	Host mode	1098
30.11	OTG_HS interrupts	1099
30.12	OTG_HS control and status registers	1101
30.12.1	CSR memory map	1101
30.12.2	OTG_HS global registers	1106
30.12.3	Host-mode registers	1129
30.12.4	Device-mode registers	1142
30.12.5	OTG_HS power and clock gating control register (OTG_HS_PCGCTL)	1171
30.12.6	OTG_HS register map	1171
30.13	OTG_HS programming model	1186
30.13.1	Core initialization	1186
30.13.2	Host initialization	1187
30.13.3	Device initialization	1188
30.13.4	DMA mode	1188
30.13.5	Host programming model	1188
30.13.6	Device programming model	1214
30.13.7	Operational model	1216
30.13.8	Worst case response time	1235
30.13.9	OTG programming model	1237
31	Flexible static memory controller (FSMC)	1243
31.1	FSMC main features	1243
31.2	Block diagram	1244
31.3	AHB interface	1244
31.3.1	Supported memories and transactions	1245
31.4	External device address mapping	1246
31.4.1	NOR/PSRAM address mapping	1246
31.4.2	NAND/PC Card address mapping	1247
31.5	NOR flash/PSRAM controller	1248
31.5.1	External memory interface signals	1249
31.5.2	Supported memories and transactions	1251
31.5.3	General timing rules	1252

31.5.4	NOR flash/PSRAM controller asynchronous transactions	1253
31.5.5	Synchronous transactions	1270
31.5.6	NOR/PSRAM control registers	1276
31.6	NAND flash/PC Card controller	1283
31.6.1	External memory interface signals	1284
31.6.2	NAND flash / PC Card supported memories and transactions	1286
31.6.3	Timing diagrams for NAND and PC Card	1286
31.6.4	NAND flash operations	1287
31.6.5	NAND flash prewait functionality	1288
31.6.6	Computation of the error correction code (ECC) in NAND flash memory	1289
31.6.7	PC Card/CompactFlash operations	1290
31.6.8	NAND flash/PC Card control registers	1292
31.6.9	FSMC register map	1299
32	Debug support (DBG)	1301
32.1	Overview	1301
32.2	Reference Arm® documentation	1302
32.3	SWJ debug port (serial wire and JTAG)	1302
32.3.1	Mechanism to select the JTAG-DP or the SW-DP	1303
32.4	Pinout and debug port pins	1303
32.4.1	SWJ debug port pins	1304
32.4.2	Flexible SWJ-DP pin assignment	1304
32.4.3	Internal pull-up and pull-down on JTAG pins	1304
32.4.4	Using serial wire and releasing the unused debug pins as GPIOs	1305
32.5	STM32F20x and STM32F21x JTAG TAP connection	1305
32.6	ID codes and locking mechanism	1306
32.6.1	MCU device ID code	1306
32.6.2	Boundary scan TAP	1307
32.6.3	Cortex®-M3 TAP	1307
32.6.4	Cortex®-M3 JEDEC-106 ID code	1307
32.7	JTAG debug port	1307
32.8	SW debug port	1309
32.8.1	SW protocol introduction	1309
32.8.2	SW protocol sequence	1309
32.8.3	SW-DP state machine (reset, idle states, ID code)	1310

32.8.4	DP and AP read/write accesses	1311
32.8.5	SW-DP registers	1311
32.8.6	SW-AP registers	1312
32.9	AHB-AP (AHB access port) - valid for both JTAG-DP and SW-DP	1312
32.10	Core debug	1313
32.11	Capability of the debugger host to connect under system reset	1314
32.12	FPB (Flash patch breakpoint)	1314
32.13	DWT (data watchpoint trigger)	1315
32.14	ITM (instrumentation trace macrocell)	1315
32.14.1	General description	1315
32.14.2	Time stamp packets, synchronization and overflow packets	1315
32.15	ETM (Embedded Trace Macrocell™)	1317
32.15.1	ETM general description	1317
32.15.2	ETM signal protocol and packet types	1317
32.15.3	Main ETM registers	1318
32.15.4	ETM configuration example	1318
32.16	MCU debug component (DBGMCU)	1318
32.16.1	Debug support for low-power modes	1318
32.16.2	Debug support for timers, watchdog, bxCAN and I ² C	1319
32.16.3	Debug MCU configuration register	1319
32.16.4	Debug MCU APB1 freeze register (DBGMCU_APB1_FZ)	1321
32.16.5	Debug MCU APB2 Freeze register (DBGMCU_APB2_FZ)	1322
32.17	TPIU (trace port interface unit)	1323
32.17.1	Introduction	1323
32.17.2	TRACE pin assignment	1324
32.17.3	TPUI formatter	1325
32.17.4	TPUI frame synchronization packets	1326
32.17.5	Transmission of the synchronization frame packet	1326
32.17.6	Synchronous mode	1326
32.17.7	Asynchronous mode	1327
32.17.8	TRACECLKIN connection inside the STM32F20x and STM32F21x	1327
32.17.9	TPIU registers	1327
32.17.10	Example of configuration	1328
32.18	DBG register map	1329

33	Device electronic signature	1330
	33.1 Unique device ID register (96 bits)	1330
	33.2 Flash size	1331
34	Important security notice	1332
35	Revision history	1333

List of tables

Table 1.	STM32F20x and STM32F21x register boundary addresses	51
Table 2.	Flash module organization	55
Table 3.	Number of wait states according to Cortex [®] -M3 clock frequency.	56
Table 4.	Boot modes.	58
Table 5.	Memory mapping vs. Boot mode/physical remap.	59
Table 6.	CRC calculation unit register map and reset values.	63
Table 7.	Low-power mode summary	72
Table 8.	Sleep-now.	73
Table 9.	Sleep-on-exit.	73
Table 10.	Stop mode	75
Table 11.	Standby mode.	77
Table 12.	PWR - register map and reset values.	83
Table 13.	RCC register map and reset values	132
Table 14.	Port bit configuration table	136
Table 15.	Flexible SWJ-DP pin assignment	139
Table 16.	RTC_AF1 pin	146
Table 17.	RTC_AF2 pin	147
Table 18.	GPIO register map and reset values	154
Table 19.	SYSCFG register map and reset values.	160
Table 20.	Vector table.	161
Table 21.	External interrupt/event controller register map and reset values.	172
Table 22.	DMA1 request mapping	177
Table 23.	DMA2 request mapping	178
Table 24.	Source and destination address	179
Table 25.	Source and destination address registers in Double buffer mode (DBM=1).	184
Table 26.	Packing/unpacking & endian behavior (bit PINC = MINC = 1)	185
Table 27.	Restriction on NDT versus PSIZE and MSIZE	186
Table 28.	FIFO threshold configurations	188
Table 29.	Possible DMA configurations	192
Table 30.	DMA interrupt requests.	194
Table 31.	DMA register map and reset values	205
Table 32.	ADC pins.	211
Table 33.	Analog watchdog channel selection	214
Table 34.	Configuring the trigger polarity	218
Table 35.	External trigger for regular channels.	219
Table 36.	External trigger for injected channels	220
Table 37.	ADC interrupts	235
Table 38.	ADC global register map.	250
Table 39.	ADC register map and reset values for each ADC	251
Table 40.	ADC register map and reset values (common ADC registers)	252
Table 41.	DAC pins.	254
Table 42.	External triggers	257
Table 43.	DAC register map	273
Table 44.	DCMI pins	275
Table 45.	DCMI signals	277
Table 46.	Positioning of captured data bytes in 32-bit words (8-bit width)	278
Table 47.	Positioning of captured data bytes in 32-bit words (10-bit width)	278
Table 48.	Positioning of captured data bytes in 32-bit words (12-bit width)	279

Table 49.	Positioning of captured data bytes in 32-bit words (14-bit width)	279
Table 50.	Data storage in monochrome progressive video format	286
Table 51.	Data storage in RGB progressive video format	286
Table 52.	Data storage in YCbCr progressive video format	287
Table 53.	DCMI interrupts	287
Table 54.	DCMI register map and reset values	296
Table 55.	Counting direction versus encoder signals	334
Table 56.	TIMx Internal trigger connection	347
Table 57.	Output control bits for complementary OCx and OCxN channels with break feature	358
Table 58.	TIM1 and TIM8 register map and reset values	366
Table 59.	Counting direction versus encoder signals	395
Table 60.	TIMx internal trigger connection	410
Table 61.	Output control bit for standard OCx channels	419
Table 62.	TIM2 to TIM5 register map and reset values	426
Table 63.	TIMx internal trigger connection	453
Table 64.	Output control bit for standard OCx channels	461
Table 65.	TIM9/12 register map and reset values	463
Table 66.	Output control bit for standard OCx channels	470
Table 67.	TIM10/11/13/14 register map and reset values	473
Table 68.	TIM6 and TIM7 register map and reset values	486
Table 69.	Min/max IWDG timeout period (in ms) at 32 kHz (LSI)	488
Table 70.	IWDG register map and reset values	491
Table 71.	Minimum and maximum timeout values at 30 MHz (f_{PCLK1})	495
Table 72.	WWDG register map and reset values	498
Table 73.	Number of cycles required to process each 128-bit block	499
Table 74.	Data types	513
Table 75.	CRYP register map and reset values	533
Table 76.	RNG register map and reset map	539
Table 77.	HASH register map and reset values	559
Table 78.	Effect of low-power modes on RTC	572
Table 79.	Interrupt control bits	573
Table 80.	RTC register map and reset values	587
Table 81.	SMBus vs. I2C	601
Table 82.	I2C Interrupt requests	605
Table 83.	I2C register map and reset values	619
Table 84.	Noise detection from sampled data	632
Table 85.	Error calculation for programmed baud rates at $f_{PCLK} = 8$ MHz or $f_{PCLK} = 12$ MHz, oversampling by 16	635
Table 86.	Error calculation for programmed baud rates at $f_{PCLK} = 8$ MHz or $f_{PCLK} = 12$ MHz, oversampling by 8	636
Table 87.	Error calculation for programmed baud rates at $f_{PCLK} = 16$ MHz or $f_{PCLK} = 24$ MHz, oversampling by 16	636
Table 88.	Error calculation for programmed baud rates at $f_{PCLK} = 16$ MHz or $f_{PCLK} = 24$ MHz, oversampling by 8	637
Table 89.	Error calculation for programmed baud rates at $f_{PCLK} = 8$ MHz or $f_{PCLK} = 16$ MHz, oversampling by 16	638
Table 90.	Error calculation for programmed baud rates at $f_{PCLK} = 8$ MHz or $f_{PCLK} = 16$ MHz, oversampling by 8	638
Table 91.	Error calculation for programmed baud rates at $f_{PCLK} = 30$ MHz or $f_{PCLK} = 60$ MHz, oversampling by 16	639
Table 92.	Error calculation for programmed baud rates at $f_{PCLK} = 30$ MHz or $f_{PCLK} = 60$ MHz, oversampling by 8	639

	oversampling by 8	640
Table 93.	USART receiver's tolerance when DIV fraction is 0	642
Table 94.	USART receiver tolerance when DIV_Fraction is different from 0	642
Table 95.	Frame formats	644
Table 96.	USART interrupt requests	659
Table 97.	USART mode configuration	660
Table 98.	USART register map and reset values	671
Table 99.	SPI interrupt requests	697
Table 100.	Audio frequency precision (for PLLM VCO = 1 MHz or 2 MHz)	708
Table 101.	I ² S interrupt requests	713
Table 102.	SPI register map and reset values	723
Table 103.	SDIO I/O definitions	728
Table 104.	Command format	732
Table 105.	Short response format	733
Table 106.	Long response format	733
Table 107.	Command path status flags	733
Table 108.	Data token format	736
Table 109.	Transmit FIFO status flags	737
Table 110.	Receive FIFO status flags	738
Table 111.	Card status	748
Table 112.	SD status	750
Table 113.	Speed class code field	752
Table 114.	Performance move field	752
Table 115.	AU_SIZE field	752
Table 116.	Maximum AU size	753
Table 117.	Erase size field	753
Table 118.	Erase timeout field	753
Table 119.	Erase offset field	754
Table 120.	Block-oriented write commands	756
Table 121.	Block-oriented write protection commands	757
Table 122.	Erase commands	757
Table 123.	I/O mode commands	757
Table 124.	Lock card	758
Table 125.	Application-specific commands	758
Table 126.	R1 response	759
Table 127.	R2 response	759
Table 128.	R3 response	760
Table 129.	R4 response	760
Table 130.	R4b response	760
Table 131.	R5 response	761
Table 132.	R6 response	761
Table 133.	Response type and SDIO_RESPx registers	768
Table 134.	SDIO register map	778
Table 135.	Transmit mailbox mapping	794
Table 136.	Receive mailbox mapping	794
Table 137.	bxCAN register map and reset values	819
Table 138.	Alternate function mapping	826
Table 139.	Management frame format	828
Table 140.	Clock range	830
Table 141.	TX interface signal encoding	831
Table 142.	RX interface signal encoding	832
Table 143.	Frame statuses	848

Table 144.	Destination address filtering	853
Table 145.	Source address filtering	854
Table 146.	Receive descriptor 0 - encoding for bits 7, 5 and 0 (normal descriptor format only, EDFE=0)	885
Table 147.	Time stamp snapshot dependency on registers bits	917
Table 148.	Ethernet register map and reset values	935
Table 149.	OTG_FS input/output pins	942
Table 150.	Compatibility of STM32 low power modes with the OTG	955
Table 151.	Core global control and status registers (CSRs)	965
Table 152.	Host-mode control and status registers (CSRs)	966
Table 153.	Device-mode control and status registers	967
Table 154.	Data FIFO (DFIFO) access register map	968
Table 155.	Power and clock gating control and status registers	969
Table 156.	TRDT values	975
Table 157.	Minimum duration for soft disconnect	1003
Table 158.	OTG_FS register map and reset values	1025
Table 159.	OTG_HS input/output pins	1083
Table 160.	Compatibility of STM32 low power modes with the OTG	1096
Table 161.	Core global control and status registers (CSRs)	1102
Table 162.	Host-mode control and status registers (CSRs)	1103
Table 163.	Device-mode control and status registers	1104
Table 164.	Data FIFO (DFIFO) access register map	1106
Table 165.	Power and clock gating control and status registers	1106
Table 166.	TRDT values	1113
Table 167.	Minimum duration for soft disconnect	1145
Table 168.	OTG_HS register map and reset values	1171
Table 169.	NOR/PSRAM bank selection	1247
Table 170.	External memory address	1247
Table 171.	Memory mapping and timing registers	1247
Table 172.	NAND bank selections	1248
Table 173.	Programmable NOR/PSRAM access parameters	1249
Table 174.	Nonmultiplexed I/O NOR flash	1249
Table 175.	Multiplexed I/O NOR flash	1250
Table 176.	Nonmultiplexed I/Os PSRAM/SRAM	1250
Table 177.	Multiplexed I/O PSRAM	1251
Table 178.	NOR flash/PSRAM controller: example of supported memories and transactions	1251
Table 179.	FSMC_BCRx bit fields	1254
Table 180.	FSMC_BTRx bit fields	1255
Table 181.	FSMC_BCRx bit fields	1256
Table 182.	FSMC_BTRx bit fields	1257
Table 183.	FSMC_BWTRx bit fields	1257
Table 184.	FSMC_BCRx bit fields	1259
Table 185.	FSMC_BTRx bit fields	1260
Table 186.	FSMC_BWTRx bit fields	1260
Table 187.	FSMC_BCRx bit fields	1262
Table 188.	FSMC_BTRx bit fields	1262
Table 189.	FSMC_BWTRx bit fields	1263
Table 190.	FSMC_BCRx bit fields	1264
Table 191.	FSMC_BTRx bit fields	1265
Table 192.	FSMC_BWTRx bit fields	1265
Table 193.	FSMC_BCRx bit fields	1267
Table 194.	FSMC_BTRx bit fields	1267

Table 195.	FSMC_BCRx bit fields	1272
Table 196.	FSMC_BTRx bit fields	1273
Table 197.	FSMC_BCRx bit fields	1274
Table 198.	FSMC_BTRx bit fields	1275
Table 199.	Programmable NAND/PC Card access parameters	1284
Table 200.	8-bit NAND flash	1284
Table 201.	16-bit NAND flash	1285
Table 202.	16-bit PC Card	1285
Table 203.	Supported memories and transactions	1286
Table 204.	16-bit PC-Card signals and access type	1291
Table 205.	ECC result relevant bits	1298
Table 206.	FSMC register map	1299
Table 207.	SWJ debug port pins	1304
Table 208.	Flexible SWJ-DP pin assignment	1304
Table 209.	JTAG debug port data registers	1308
Table 210.	32-bit debug port registers addressed through the shifted value A[3:2]	1309
Table 211.	Packet request (8-bits)	1310
Table 212.	ACK response (3 bits)	1310
Table 213.	DATA transfer (33 bits)	1310
Table 214.	SW-DP registers	1311
Table 215.	Cortex [®] -M3 AHB-AP registers	1313
Table 216.	Core debug registers	1313
Table 217.	Main ITM registers	1316
Table 218.	Main ETM registers	1318
Table 219.	Asynchronous TRACE pin assignment	1324
Table 220.	Synchronous TRACE pin assignment	1324
Table 221.	Flexible TRACE pin assignment	1325
Table 222.	Important TPIU registers	1327
Table 223.	DBG register map and reset values	1329
Table 224.	Document revision history	1333

List of figures

Figure 1.	System architecture	49
Figure 2.	CRC calculation unit block diagram	61
Figure 3.	Power supply overview	64
Figure 4.	Backup SRAM	67
Figure 5.	Power-on/power-down reset waveform	68
Figure 6.	BOR thresholds	69
Figure 7.	PVD thresholds	70
Figure 8.	Simplified diagram of the reset circuit	85
Figure 9.	Clock tree	87
Figure 10.	HSE/LSE clock sources	89
Figure 11.	Frequency measurement with TIM5 in Input capture mode	94
Figure 12.	Frequency measurement with TIM11 in Input capture mode	94
Figure 13.	Basic structure of a 5 V-tolerant I/O port bit	136
Figure 14.	Selecting an alternate function	140
Figure 15.	Input floating/pull up/pull down configurations	143
Figure 16.	Output configuration	144
Figure 17.	Alternate function configuration	144
Figure 18.	High impedance-analog configuration	145
Figure 19.	External interrupt/event controller block diagram	166
Figure 20.	External interrupt/event GPIO mapping	168
Figure 21.	DMA block diagram	175
Figure 22.	System implementation of the two DMA controllers	176
Figure 23.	Channel selection	177
Figure 24.	Peripheral-to-memory mode	180
Figure 25.	Memory-to-peripheral mode	181
Figure 26.	Memory-to-memory mode	182
Figure 27.	FIFO structure	187
Figure 28.	Single ADC block diagram	210
Figure 29.	Timing diagram	213
Figure 30.	Analog watchdog's guarded area	213
Figure 31.	Injected conversion latency	215
Figure 32.	Right alignment of 12-bit data	217
Figure 33.	Left alignment of 12-bit data	217
Figure 34.	Left alignment of 6-bit data	217
Figure 35.	Multi ADC block diagram ⁽¹⁾	223
Figure 36.	Injected simultaneous mode on 4 channels: dual ADC mode	226
Figure 37.	Injected simultaneous mode on 4 channels: triple ADC mode	226
Figure 38.	Regular simultaneous mode on 16 channels: dual ADC mode	227
Figure 39.	Regular simultaneous mode on 16 channels: triple ADC mode	227
Figure 40.	Interleaved mode on 1 channel in continuous conversion mode: dual ADC mode	228
Figure 41.	Interleaved mode on 1 channel in continuous conversion mode: triple ADC mode	229
Figure 42.	Alternate trigger: injected group of each ADC	230
Figure 43.	Alternate trigger: 4 injected channels (each ADC) in discontinuous mode	231
Figure 44.	Alternate trigger: injected group of each ADC	231
Figure 45.	Alternate + regular simultaneous	232
Figure 46.	Case of trigger occurring during injected conversion	233
Figure 47.	Temperature sensor and VREFINT channel block diagram	234
Figure 48.	DAC channel block diagram	254

Figure 49.	Data registers in single DAC channel mode	256
Figure 50.	Data registers in dual DAC channel mode	256
Figure 51.	Timing diagram for conversion with trigger disabled $TEN = 0$	257
Figure 52.	DAC LFSR register calculation algorithm	259
Figure 53.	DAC conversion (SW trigger enabled) with LFSR wave generation	259
Figure 54.	DAC triangle wave generation	260
Figure 55.	DAC conversion (SW trigger enabled) with triangle wave generation	260
Figure 56.	DCMI block diagram	276
Figure 57.	Top-level block diagram	277
Figure 58.	DCMI signal waveforms	278
Figure 59.	Timing diagram	280
Figure 60.	Frame capture waveforms in Snapshot mode	282
Figure 61.	Frame capture waveforms in continuous grab mode	283
Figure 62.	Coordinates and size of the window after cropping	284
Figure 63.	Data capture waveforms	284
Figure 64.	Pixel raster scan order	285
Figure 65.	Advanced-control timer block diagram	299
Figure 66.	Counter timing diagram with prescaler division change from 1 to 2	301
Figure 67.	Counter timing diagram with prescaler division change from 1 to 4	301
Figure 68.	Counter timing diagram, internal clock divided by 1	302
Figure 69.	Counter timing diagram, internal clock divided by 2	303
Figure 70.	Counter timing diagram, internal clock divided by 4	303
Figure 71.	Counter timing diagram, internal clock divided by N	303
Figure 72.	Counter timing diagram, update event when $ARPE=0$ (TIMx_ARR not preloaded)	304
Figure 73.	Counter timing diagram, update event when $ARPE=1$ (TIMx_ARR preloaded)	304
Figure 74.	Counter timing diagram, internal clock divided by 1	306
Figure 75.	Counter timing diagram, internal clock divided by 2	306
Figure 76.	Counter timing diagram, internal clock divided by 4	307
Figure 77.	Counter timing diagram, internal clock divided by N	307
Figure 78.	Counter timing diagram, update event when repetition counter is not used	308
Figure 79.	Counter timing diagram, internal clock divided by 1, $TIMx_ARR=0x6$	309
Figure 80.	Counter timing diagram, internal clock divided by 2	309
Figure 81.	Counter timing diagram, internal clock divided by 4, $TIMx_ARR=0x36$	310
Figure 82.	Counter timing diagram, internal clock divided by N	310
Figure 83.	Counter timing diagram, update event with $ARPE=1$ (counter underflow)	311
Figure 84.	Counter timing diagram, Update event with $ARPE=1$ (counter overflow)	311
Figure 85.	Update rate examples depending on mode and TIMx_RCR register settings	312
Figure 86.	Control circuit in normal mode, internal clock divided by 1	313
Figure 87.	TI2 external clock connection example	314
Figure 88.	Control circuit in external clock mode 1	315
Figure 89.	External trigger input block	315
Figure 90.	Control circuit in external clock mode 2	316
Figure 91.	Capture/compare channel (example: channel 1 input stage)	317
Figure 92.	Capture/compare channel 1 main circuit	317
Figure 93.	Output stage of capture/compare channel (channel 1 to 3)	318
Figure 94.	Output stage of capture/compare channel (channel 4)	318
Figure 95.	PWM input mode timing	320
Figure 96.	Output compare mode, toggle on OC1	322
Figure 97.	Edge-aligned PWM waveforms ($ARR=8$)	323
Figure 98.	Center-aligned PWM waveforms ($ARR=8$)	324
Figure 99.	Complementary output with dead-time insertion	326
Figure 100.	Dead-time waveforms with delay greater than the negative pulse	326

Figure 101. Dead-time waveforms with delay greater than the positive pulse.	326
Figure 102. Output behavior in response to a break	329
Figure 103. Clearing TIMx OCxREF	330
Figure 104. 6-step generation, COM example (OSSR=1).	331
Figure 105. Example of one pulse mode	332
Figure 106. Example of counter operation in encoder interface mode	335
Figure 107. Example of encoder interface mode with TI1FP1 polarity inverted.	335
Figure 108. Example of Hall sensor interface	337
Figure 109. Control circuit in reset mode	338
Figure 110. Control circuit in gated mode	339
Figure 111. Control circuit in trigger mode	340
Figure 112. Control circuit in external clock mode 2 + trigger mode	341
Figure 113. General-purpose timer block diagram	369
Figure 114. Counter timing diagram with prescaler division change from 1 to 2	371
Figure 115. Counter timing diagram with prescaler division change from 1 to 4	371
Figure 116. Counter timing diagram, internal clock divided by 1	372
Figure 117. Counter timing diagram, internal clock divided by 2	372
Figure 118. Counter timing diagram, internal clock divided by 4	373
Figure 119. Counter timing diagram, internal clock divided by N	373
Figure 120. Counter timing diagram, Update event when ARPE=0 (TIMx_ARR not preloaded).	374
Figure 121. Counter timing diagram, Update event when ARPE=1 (TIMx_ARR preloaded).	374
Figure 122. Counter timing diagram, internal clock divided by 1	375
Figure 123. Counter timing diagram, internal clock divided by 2	376
Figure 124. Counter timing diagram, internal clock divided by 4	376
Figure 125. Counter timing diagram, internal clock divided by N	376
Figure 126. Counter timing diagram, Update event	377
Figure 127. Counter timing diagram, internal clock divided by 1, TIMx_ARR=0x6	378
Figure 128. Counter timing diagram, internal clock divided by 2	378
Figure 129. Counter timing diagram, internal clock divided by 4, TIMx_ARR=0x36	379
Figure 130. Counter timing diagram, internal clock divided by N	379
Figure 131. Counter timing diagram, Update event with ARPE=1 (counter underflow).	380
Figure 132. Counter timing diagram, Update event with ARPE=1 (counter overflow).	380
Figure 133. Control circuit in normal mode, internal clock divided by 1	381
Figure 134. TI2 external clock connection example.	382
Figure 135. Control circuit in external clock mode 1	383
Figure 136. External trigger input block	383
Figure 137. Control circuit in external clock mode 2	384
Figure 138. Capture/compare channel (example: channel 1 input stage).	384
Figure 139. Capture/compare channel 1 main circuit	385
Figure 140. Output stage of capture/compare channel (channel 1).	385
Figure 141. PWM input mode timing	387
Figure 142. Output compare mode, toggle on OC1	389
Figure 143. Edge-aligned PWM waveforms (ARR=8).	390
Figure 144. Center-aligned PWM waveforms (ARR=8).	391
Figure 145. Example of one-pulse mode	392
Figure 146. Clearing TIMx OCxREF	394
Figure 147. Example of counter operation in encoder interface mode	396
Figure 148. Example of encoder interface mode with TI1FP1 polarity inverted	396
Figure 149. Control circuit in reset mode	397
Figure 150. Control circuit in gated mode	398
Figure 151. Control circuit in trigger mode	399
Figure 152. Control circuit in external clock mode 2 + trigger mode	400

Figure 153. Master/Slave timer example	400
Figure 154. Gating timer 2 with OC1REF of timer 1	401
Figure 155. Gating timer 2 with Enable of timer 1	402
Figure 156. Triggering timer 2 with update of timer 1	403
Figure 157. Triggering timer 2 with Enable of timer 1	404
Figure 158. Triggering timer 1 and 2 with timer 1 TI1 input	405
Figure 159. General-purpose timer block diagram (TIM9 and TIM12)	429
Figure 160. General-purpose timer block diagram (TIM10/11/13/14)	430
Figure 161. Counter timing diagram with prescaler division change from 1 to 2	432
Figure 162. Counter timing diagram with prescaler division change from 1 to 4	432
Figure 163. Counter timing diagram, internal clock divided by 1	433
Figure 164. Counter timing diagram, internal clock divided by 2	434
Figure 165. Counter timing diagram, internal clock divided by 4	434
Figure 166. Counter timing diagram, internal clock divided by N	434
Figure 167. Counter timing diagram, update event when ARPE=0 (TIMx_ARR not preloaded)	435
Figure 168. Counter timing diagram, update event when ARPE=1 (TIMx_ARR preloaded)	435
Figure 169. Control circuit in normal mode, internal clock divided by 1	436
Figure 170. TI2 external clock connection example	437
Figure 171. Control circuit in external clock mode 1	437
Figure 172. Capture/compare channel (example: channel 1 input stage)	438
Figure 173. Capture/compare channel 1 main circuit	439
Figure 174. Output stage of capture/compare channel (channel 1)	439
Figure 175. PWM input mode timing	441
Figure 176. Output compare mode, toggle on OC1	443
Figure 177. Edge-aligned PWM waveforms (ARR=8)	444
Figure 178. Example of one pulse mode	445
Figure 179. Control circuit in reset mode	447
Figure 180. Control circuit in gated mode	448
Figure 181. Control circuit in trigger mode	448
Figure 182. Basic timer block diagram	475
Figure 183. Counter timing diagram with prescaler division change from 1 to 2	477
Figure 184. Counter timing diagram with prescaler division change from 1 to 4	477
Figure 185. Counter timing diagram, internal clock divided by 1	478
Figure 186. Counter timing diagram, internal clock divided by 2	479
Figure 187. Counter timing diagram, internal clock divided by 4	479
Figure 188. Counter timing diagram, internal clock divided by N	479
Figure 189. Counter timing diagram, update event when ARPE=0 (TIMx_ARR not preloaded)	480
Figure 190. Counter timing diagram, update event when ARPE=1 (TIMx_ARR preloaded)	480
Figure 191. Control circuit in normal mode, internal clock divided by 1	481
Figure 192. Independent watchdog block diagram	488
Figure 193. Watchdog block diagram	493
Figure 194. Window watchdog timing diagram	494
Figure 195. Block diagram	501
Figure 196. DES/TDES-ECB mode encryption	503
Figure 197. DES/TDES-ECB mode decryption	503
Figure 198. DES/TDES-CBC mode encryption	505
Figure 199. DES/TDES-CBC mode decryption	506
Figure 200. AES-ECB mode encryption	507
Figure 201. AES-ECB mode decryption	508
Figure 202. AES-CBC mode encryption	509

Figure 203. AES-CBC mode decryption	510
Figure 204. AES-CTR mode encryption	511
Figure 205. AES-CTR mode decryption	512
Figure 206. Initial counter block structure for the Counter mode	512
Figure 207. 64-bit block construction according to DATATYPE	515
Figure 208. Initialization vectors use in the TDES-CBC encryption	517
Figure 209. CRYPT interrupt mapping diagram	522
Figure 210. Block diagram	535
Figure 211. Block diagram	541
Figure 212. Block diagram	542
Figure 213. Bit, byte and half-word swapping	544
Figure 214. HASH interrupt mapping diagram	549
Figure 215. RTC block diagram	563
Figure 216. I2C bus protocol	591
Figure 217. I2C block diagram	592
Figure 218. Transfer sequence diagram for target transmitter	593
Figure 219. Transfer sequence diagram for target receiver	594
Figure 220. Transfer sequence diagram for controller transmitter	597
Figure 221. Transfer sequence diagram for controller receiver	598
Figure 222. I2C interrupt mapping diagram	606
Figure 223. USART block diagram	623
Figure 224. Word length programming	624
Figure 225. Configurable stop bits	626
Figure 226. TC/TXE behavior when transmitting	627
Figure 227. Start bit detection when oversampling by 16 or 8	628
Figure 228. Data sampling when oversampling by 16	631
Figure 229. Data sampling when oversampling by 8	632
Figure 230. Mute mode using Idle line detection	643
Figure 231. Mute mode using address mark detection	643
Figure 232. Break detection in LIN mode (11-bit break length - LBDL bit is set)	646
Figure 233. Break detection in LIN mode vs. Framing error detection	647
Figure 234. USART example of synchronous transmission	648
Figure 235. USART data clock timing diagram (M=0)	648
Figure 236. USART data clock timing diagram (M=1)	649
Figure 237. RX data setup/hold time	649
Figure 238. ISO 7816-3 asynchronous protocol	650
Figure 239. Parity error detection using the 1.5 stop bits	651
Figure 240. IrDA SIR ENDEC- block diagram	653
Figure 241. IrDA data modulation (3/16) -Normal mode	653
Figure 242. Transmission using DMA	655
Figure 243. Reception using DMA	656
Figure 244. Hardware flow control between 2 USARTs	656
Figure 245. RTS flow control	657
Figure 246. CTS flow control	658
Figure 247. USART interrupt mapping diagram	659
Figure 248. SPI block diagram	675
Figure 249. Single master/single slave application	676
Figure 250. Data clock timing diagram	678
Figure 251. TI mode - Slave mode, single transfer	680
Figure 252. TI mode - Slave mode, continuous transfer	681
Figure 253. TI mode - master mode, single transfer	682
Figure 254. TI mode - master mode, continuous transfer	683

Figure 255. TXE/RXNE/BSY behavior in Master / full-duplex mode (BIDIMODE=0 and RXONLY=0) in case of continuous transfers	686
Figure 256. TXE/RXNE/BSY behavior in Slave / full-duplex mode (BIDIMODE=0, RXONLY=0) in case of continuous transfers	687
Figure 257. TXE/BSY behavior in Master transmit-only mode (BIDIMODE=0 and RXONLY=0) in case of continuous transfers	688
Figure 258. TXE/BSY in Slave transmit-only mode (BIDIMODE=0 and RXONLY=0) in case of continuous transfers	688
Figure 259. RXNE behavior in receive-only mode (BIDIRMODE=0 and RXONLY=1) in case of continuous transfers	689
Figure 260. TXE/BSY behavior when transmitting (BIDIRMODE=0 and RXONLY=0) in case of discontinuous transfers	690
Figure 261. Transmission using DMA	694
Figure 262. Reception using DMA	695
Figure 263. TI mode frame format error detection	697
Figure 264. I ² S block diagram	698
Figure 265. I ² S Philips protocol waveforms (16/32-bit full accuracy, CPOL = 0).	700
Figure 266. I ² S Philips standard waveforms (24-bit frame with CPOL = 0).	700
Figure 267. Transmitting 0x8EAA33	701
Figure 268. Receiving 0x8EAA33	701
Figure 269. I ² S Philips standard (16-bit extended to 32-bit packet frame with CPOL = 0)	701
Figure 270. Example	701
Figure 271. MSB justified 16-bit or 32-bit full-accuracy length with CPOL = 0	702
Figure 272. MSB justified 24-bit frame length with CPOL = 0	702
Figure 273. MSB justified 16-bit extended to 32-bit packet frame with CPOL = 0	703
Figure 274. LSB justified 16-bit or 32-bit full-accuracy with CPOL = 0	703
Figure 275. LSB justified 24-bit frame length with CPOL = 0.	703
Figure 276. Operations required to transmit 0x3478AE.	704
Figure 277. Operations required to receive 0x3478AE	704
Figure 278. LSB justified 16-bit extended to 32-bit packet frame with CPOL = 0	704
Figure 279. Example of LSB justified 16-bit extended to 32-bit packet frame	705
Figure 280. PCM standard waveforms (16-bit)	705
Figure 281. PCM standard waveforms (16-bit extended to 32-bit packet frame).	706
Figure 282. Audio sampling frequency definition	706
Figure 283. I ² S clock generator architecture	707
Figure 284. SDIO “no response” and “no data” operations	725
Figure 285. SDIO (multiple) block read operation	725
Figure 286. SDIO (multiple) block write operation	726
Figure 287. SDIO sequential read operation	726
Figure 288. SDIO sequential write operation	726
Figure 289. SDIO block diagram	727
Figure 290. SDIO adapter	728
Figure 291. Control unit	729
Figure 292. SDIO adapter command path	730
Figure 293. Command path state machine (CPSM)	731
Figure 294. SDIO command transfer	732
Figure 295. Data path	734
Figure 296. Data path state machine (DPSM)	735
Figure 297. CAN network topology	780
Figure 298. Dual CAN block diagram	782
Figure 299. bxCAN operating modes.	784
Figure 300. bxCAN in silent mode	785

Figure 301. bxCAN in loop back mode	785
Figure 302. bxCAN in combined mode	786
Figure 303. Transmit mailbox states	788
Figure 304. Receive FIFO states	789
Figure 305. Filter bank scale configuration - register organization	791
Figure 306. Example of filter numbering	792
Figure 307. Filtering mechanism - Example	793
Figure 308. CAN error state diagram	795
Figure 309. Bit timing	797
Figure 310. CAN frames	798
Figure 311. Event flags and interrupt generation	799
Figure 312. RX and TX mailboxes	810
Figure 313. ETH block diagram	827
Figure 314. SMI interface signals	828
Figure 315. MDIO timing and frame structure - Write cycle	829
Figure 316. MDIO timing and frame structure - Read cycle	830
Figure 317. Media independent interface signals	830
Figure 318. MII clock sources	832
Figure 319. Reduced media-independent interface signals	833
Figure 320. RMII clock sources	833
Figure 321. Clock scheme	834
Figure 322. Address field format	836
Figure 323. MAC frame format	838
Figure 324. Tagged MAC frame format	838
Figure 325. Transmission bit order	844
Figure 326. Transmission with no collision	845
Figure 327. Transmission with collision	845
Figure 328. Frame transmission in MMI and RMII modes	846
Figure 329. Receive bit order	850
Figure 330. Reception with no error	850
Figure 331. Reception with errors	850
Figure 332. Reception with false carrier indication	851
Figure 333. MAC core interrupt masking scheme	851
Figure 334. Wake-up frame filter register	856
Figure 335. Networked time synchronization	859
Figure 336. System time update using the Fine correction method	862
Figure 337. PTP trigger output to TIM2 ITR1 connection	864
Figure 338. PPS output	865
Figure 339. Descriptor ring and chain structure	866
Figure 340. TxDMA operation in Default mode	870
Figure 341. TxDMA operation in OSF mode	872
Figure 342. Normal transmit descriptor	873
Figure 343. Enhanced transmit descriptor	879
Figure 344. Receive DMA operation	881
Figure 345. Normal Rx DMA descriptor structure	883
Figure 346. Enhanced receive descriptor field format with IEEE1588 time stamp enabled	888
Figure 347. Interrupt scheme	891
Figure 348. Ethernet MAC remote wake-up frame filter register (ETH_MACRWUFR)	901
Figure 349. OTG full-speed block diagram	942
Figure 350. OTG A-B device connection	944
Figure 351. USB peripheral-only connection	946
Figure 352. USB host-only connection	950

Figure 353. SOF connectivity	954
Figure 354. Updating OTG_FS_HFIR dynamically	957
Figure 355. Device-mode FIFO address mapping and AHB FIFO access mapping	958
Figure 356. Host-mode FIFO address mapping and AHB FIFO access mapping	959
Figure 357. Interrupt hierarchy	963
Figure 358. CSR memory map	965
Figure 359. Transmit FIFO write task	1037
Figure 360. Receive FIFO read task	1038
Figure 361. Normal bulk/control OUT/SETUP and bulk/control IN transactions	1039
Figure 362. Bulk/control IN transactions	1042
Figure 363. Normal interrupt OUT/IN transactions	1044
Figure 364. Normal isochronous OUT/IN transactions	1049
Figure 365. Receive FIFO packet read	1055
Figure 366. Processing a SETUP packet	1057
Figure 367. Bulk OUT transaction	1064
Figure 368. TRDT max timing case	1073
Figure 369. A-device SRP	1074
Figure 370. B-device SRP	1075
Figure 371. A-device HNP	1076
Figure 372. B-device HNP	1078
Figure 373. USB OTG interface block diagram	1083
Figure 374. USB host-only connection	1090
Figure 375. SOF trigger output to TIM2 ITR1 connection	1095
Figure 376. Updating OTG_HS_HFIR dynamically	1097
Figure 377. Interrupt hierarchy	1100
Figure 378. CSR memory map	1102
Figure 379. Transmit FIFO write task	1191
Figure 380. Receive FIFO read task	1192
Figure 381. Normal bulk/control OUT/SETUP and bulk/control IN transactions - DMA mode	1193
Figure 382. Normal bulk/control OUT/SETUP and bulk/control IN transactions - Slave mode	1194
Figure 383. Bulk/control IN transactions - DMA mode	1197
Figure 384. Bulk/control IN transactions - Slave mode	1198
Figure 385. Normal interrupt OUT/IN transactions - DMA mode	1200
Figure 386. Normal interrupt OUT/IN transactions - Slave mode	1201
Figure 387. Normal isochronous OUT/IN transactions - DMA mode	1206
Figure 388. Normal isochronous OUT/IN transactions - Slave mode	1207
Figure 389. Receive FIFO packet read in slave mode	1218
Figure 390. Processing a SETUP packet	1220
Figure 391. Slave mode bulk OUT transaction	1227
Figure 392. TRDT max timing case	1236
Figure 393. A-device SRP	1237
Figure 394. B-device SRP	1238
Figure 395. A-device HNP	1239
Figure 396. B-device HNP	1241
Figure 397. FSMC block diagram	1244
Figure 398. FSMC memory banks	1246
Figure 399. Mode1 read accesses	1253
Figure 400. Mode1 write accesses	1254
Figure 401. ModeA read accesses	1255
Figure 402. ModeA write accesses	1256

Figure 403. Mode2 and mode B read accesses	1258
Figure 404. Mode2 write accesses	1258
Figure 405. Mode B write accesses	1259
Figure 406. Mode C read accesses	1261
Figure 407. Mode C write accesses	1261
Figure 408. Mode D read accesses	1263
Figure 409. Mode D write accesses	1264
Figure 410. Multiplexed read accesses	1266
Figure 411. Multiplexed write accesses	1266
Figure 412. Asynchronous wait during a read access	1269
Figure 413. Asynchronous wait during a write access	1269
Figure 414. Wait configurations	1271
Figure 415. Synchronous multiplexed read mode - NOR, PSRAM (CRAM)	1272
Figure 416. Synchronous multiplexed write mode - PSRAM (CRAM)	1274
Figure 417. NAND/PC Card controller timing for common memory access	1287
Figure 418. Access to non 'CE don't care' NAND-Flash	1288
Figure 419. Block diagram of STM32 MCU and Cortex [®] -M3-level debug support	1301
Figure 420. SWJ debug port	1303
Figure 421. JTAG TAP connections	1306
Figure 422. TPIU block diagram	1323

1 Documentation conventions

1.1 General information

The STM32F205xx, STM32F207xx, STM32F215xx and STM32F217xx devices have an Arm^{®(a)} Cortex[®]-M3 core.



1.2 List of abbreviations for registers

The following abbreviations are used in register descriptions:

read/write (rw)	Software can read and write to these bits.
read-only (r)	Software can only read these bits.
write-only (w)	Software can only write to this bit. Reading the bit returns the reset value.
read/clear (rc_w1)	Software can read as well as clear this bit by writing 1. Writing '0' has no effect on the bit value.
read/clear (rc_w0)	Software can read as well as clear this bit by writing 0. Writing '1' has no effect on the bit value.
read/clear by read (rc_r)	Software can read this bit. Reading this bit automatically clears it to '0'. Writing '0' has no effect on the bit value.
read/set (rs)	Software can read as well as set this bit. Writing '0' has no effect on the bit value.
read-only write trigger (rt_w)	Software can read this bit. Writing '0' or '1' triggers an event but has no effect on the bit value.
toggle (t)	Software can only toggle this bit by writing '1'. Writing '0' has no effect.
Reserved (Res.)	Reserved bit, must be kept at reset value.

1.3 Glossary

- Word: data of 32-bit length.
- Half-word: data of 16-bit length.
- Byte: data of 8-bit length.

a. Arm is a registered trademark of Arm Limited (or its subsidiaries) in the US and/or elsewhere.

1.4 Peripheral availability

For peripheral availability and number across all STM32F20x and STM32F21x sales types, refer to the STM32F20x and STM32F21x datasheets.

2 Memory and bus architecture

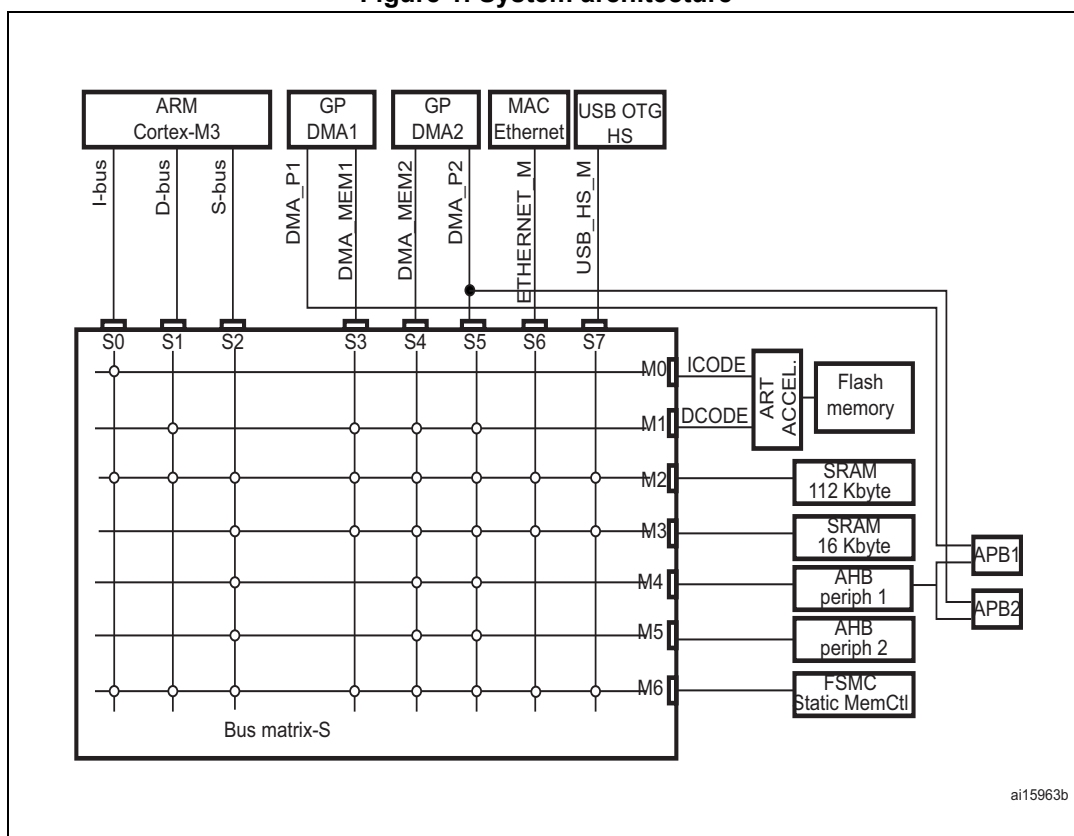
2.1 System architecture

The main system consists of 32-bit multilayer AHB bus matrix that interconnects:

- Height masters:
 - Cortex[®]-M3 core I-bus, D-bus and S-bus
 - DMA1 memory bus
 - DMA2 memory bus
 - DMA2 peripheral bus
 - Ethernet DMA bus
 - USB OTG HS DMA bus
- Seven slaves:
 - Internal Flash memory ICode bus
 - Internal Flash memory DCode bus
 - Main internal SRAM1 (112 KB)
 - Auxiliary internal SRAM2 (16 KB)
 - AHB1 peripherals including AHB to APB bridges and APB peripherals
 - AHB2 peripherals
 - FSMC

The bus matrix provides access from a master to a slave, enabling concurrent access and efficient operation even when several high-speed peripherals work simultaneously. This architecture is shown in [Figure 1](#).

Figure 1. System architecture



2.1.1 S0: I-bus

This bus connects the Instruction bus of the Cortex[®]-M3 core to the BusMatrix. This bus is used by the core to fetch instructions. The target of this bus is a memory containing code (internal Flash memory/SRAM or external memories through the FSMC).

2.1.2 S1: D-bus

This bus connects the databus of the Cortex[®]-M3 to the BusMatrix. This bus is used by the core for literal load and debug access. The target of this bus is a memory containing code or data (internal Flash memory /SRAM or external memories through the FSMC).

2.1.3 S2: S-bus

This bus connects the system bus of the Cortex[®]-M3 core to a BusMatrix. This bus is used to access data located in a peripheral or in SRAM. Instructions may also be fetch on this bus (less efficient than ICode). The targets of this bus are the 112 KB & 16 KB internal SRAMs, the AHB1 peripherals including the APB peripherals, the AHB2 peripherals and the external memories through the FSMC.

2.1.4 S3, S4: DMA memory bus

This bus connects the DMA memory bus master interface to the BusMatrix. It is used by the DMA to perform transfer to/from memories. The targets of this bus are data memories: internal SRAM and external memories through the FSMC.

2.1.5 S5: DMA peripheral bus

This bus connects the DMA peripheral master bus interface to the BusMatrix. This bus is used by the DMA to access AHB peripherals or to perform memory-to-memory transfers. The targets of this bus are the AHB and APB peripherals plus data memories: internal SRAM and external memories through the FSMC.

2.1.6 S6: Ethernet DMA bus

This bus connects the Ethernet DMA master interface to the BusMatrix. This bus is used by the Ethernet DMA to load/store data to a memory. The targets of this bus are data memories: internal SRAM and external memories through the FSMC.

2.1.7 S7: USB OTG HS DMA bus

This bus connects the USB OTG HS DMA master interface to the BusMatrix. This bus is used by the USB OTG DMA to load/store data to a memory. The targets of this bus are data memories: internal SRAM and external memories through the FSMC.

2.1.8 BusMatrix

The BusMatrix manages the access arbitration between masters. The arbitration uses a round-robin algorithm.

2.1.9 AHB/APB bridges (APB)

The two AHB/APB bridges provide full synchronous connections between the AHB and the two APB buses, allowing flexible selection of the peripheral frequency:

- APB1, limited to 30 MHz for low-speed peripherals
- APB2, limited to 60 MHz for high-speed peripherals

Refer to [Table 1 on page 51](#) for the address mapping of AHB and APB peripherals.

After each device reset, all peripheral clocks are disabled (except for the SRAM and Flash memory interface). Before using a peripheral you have to enable its clock in the RCC_AHBxENR or RCC_APBxENR register.

Note: When a 16- or an 8-bit access is performed on an APB register, the access is transformed into a 32-bit access: the bridge duplicates the 16- or 8-bit data to feed the 32-bit vector.

2.2 Memory organization

Program memory, data memory, registers and I/O ports are organized within the same linear 4 Gbyte address space.

The bytes are coded in memory in little endian format. The lowest numbered byte in a word is considered the word's least significant byte and the highest numbered byte, the word's most significant.

For the detailed mapping of peripheral registers, refer to the related chapters.

The addressable memory space is divided into 8 main blocks, each of 512 MB.

All the memory areas that are not allocated to on-chip memories and peripherals are considered "Reserved"). Refer to the memory map figure in the product datasheet.

2.3 Memory map

See the datasheet corresponding to your device for a comprehensive diagram of the memory map. [Table 1](#) gives the boundary addresses of the peripherals available in all STM32F20x and STM32F21x devices.

Table 1. STM32F20x and STM32F21x register boundary addresses

Boundary address	Peripheral	Bus	Register map
0xA000 0000 - 0xA000 0FFF	FSMC control register	AHB3	Section 31.6.9: FSMC register map on page 1299
0x5006 0800 - 0x5006 0BFF	RNG	AHB2	Section 20.4.4: RNG register map on page 539
0x5006 0400 - 0x5006 07FF	HASH		Section 21.4.8: HASH register map on page 559
0x5006 0000 - 0x5006 03FF	CRYP		Section 19.6.11: CRYP register map on page 533
0x5005 0000 - 0x5005 03FF	DCMI		Section 12.8.12: DCMI register map on page 296
0x5000 0000 - 0x5003 FFFF	USB OTG FS		Section 29.16.6: OTG_FS register map on page 1025
0x4004 0000 - 0x4007 FFFF	USB OTG HS		Section 30.12.6: OTG_HS register map on page 1171
0x4002 9000 - 0x4002 93FF	ETHERNET MAC	AHB1	Section 28.8.5: Ethernet register maps on page 935
0x4002 8C00 - 0x4002 8FFF			
0x4002 8800 - 0x4002 8BFF			
0x4002 8400 - 0x4002 87FF			
0x4002 8000 - 0x4002 83FF			
0x4002 6400 - 0x4002 67FF			
0x4002 6000 - 0x4002 63FF	DMA1		
0x4002 4000 - 0x4002 4FFF	BKPSRAM		
0x4002 3C00 - 0x4002 3FFF	Flash interface register		See Flash programming manual
0x4002 3800 - 0x4002 3BFF	RCC		Section 5.3.24: RCC register map on page 132
0x4002 3000 - 0x4002 33FF	CRC		Section 3.4.4: CRC register map on page 63
0x4002 2000 - 0x4002 23FF	GPIOI		Section 6.4.11: GPIO register map on page 154
0x4002 1C00 - 0x4002 1FFF	GPIOH		
0x4002 1800 - 0x4002 1BFF	GPIOG		
0x4002 1400 - 0x4002 17FF	GPIOF		
0x4002 1000 - 0x4002 13FF	GPIOE		
0x4002 0C00 - 0x4002 0FFF	GIPOD		
0x4002 0800 - 0x4002 0BFF	GPIOC		
0x4002 0400 - 0x4002 07FF	GPIOB		
0x4002 0000 - 0x4002 03FF	GPIOA		

Table 1. STM32F20x and STM32F21x register boundary addresses (continued)

Boundary address	Peripheral	Bus	Register map
0x4001 4800 - 0x4001 4BFF	TIM11	APB2	Section 15.5.12: TIM10/11/13/14 register map on page 473
0x4001 4400 - 0x4001 47FF	TIM10		
0x4001 4000 - 0x4001 43FF	TIM9		Section 15.4.14: TIM9/12 register map on page 463
0x4001 3C00 - 0x4001 3FFF	EXTI		Section 8.3.7: EXTI register map on page 172
0x4001 3800 - 0x4001 3BFF	SYSCFG		Section 7.2.8: SYSCFG register map on page 160
0x4001 3000 - 0x4001 33FF	SPI1		Section 25.5.10: SPI register map on page 723
0x4001 2C00 - 0x4001 2FFF	SDIO		Section 26.9.16: SDIO register map on page 778
0x4001 2000 - 0x4001 23FF	ADC1 - ADC2 - ADC3		Section 10.13.18: ADC register map on page 250
0x4001 1400 - 0x4001 17FF	USART6		Section 24.6.8: USART register map on page 671
0x4001 1000 - 0x4001 13FF	USART1		
0x4001 0400 - 0x4001 07FF	TIM8		Section 13.4.21: TIM1 and TIM8 register map on page 366
0x4001 0000 - 0x4001 03FF	TIM1		

Table 1. STM32F20x and STM32F21x register boundary addresses (continued)

Boundary address	Peripheral	Bus	Register map
0x4000 7400 - 0x4000 77FF	DAC	APB1	Section 11.5.15: DAC register map on page 273
0x4000 7000 - 0x4000 73FF	PWR		Section 4.4.3: PWR register map on page 83
0x4000 6800 - 0x4000 6BFF	CAN2		Section 27.9.5: bxCAN register map on page 819
0x4000 6400 - 0x4000 67FF	CAN1		
0x4000 5C00 - 0x4000 5FFF	I2C3		Section 23.6.10: I2C register map on page 619
0x4000 5800 - 0x4000 5BFF	I2C2		
0x4000 5400 - 0x4000 57FF	I2C1		
0x4000 5000 - 0x4000 53FF	UART5		Section 24.6.8: USART register map on page 671
0x4000 4C00 - 0x4000 4FFF	UART4		
0x4000 4800 - 0x4000 4BFF	USART3		
0x4000 4400 - 0x4000 47FF	USART2		
0x4000 3C00 - 0x4000 3FFF	SPI3 / I2S3		Section 25.5.10: SPI register map on page 723
0x4000 3800 - 0x4000 3BFF	SPI2 / I2S2		
0x4000 3000 - 0x4000 33FF	IWDG		Section 17.4.5: IWDG register map on page 491
0x4000 2C00 - 0x4000 2FFF	WWDG		Section 18.6.4: WWDG register map on page 498
0x4000 2800 - 0x4000 2BFF	RTC & BKP Registers		Section 22.6.15: RTC register map on page 587
0x4000 2000 - 0x4000 23FF	TIM14		Section 15.5.12: TIM10/11/13/14 register map on page 473
0x4000 1C00 - 0x4000 1FFF	TIM13		
0x4000 1800 - 0x4000 1BFF	TIM12		Section 15.4.14: TIM9/12 register map on page 463
0x4000 1400 - 0x4000 17FF	TIM7		Section 16.4.9: TIM6 and TIM7 register map on page 486
0x4000 1000 - 0x4000 13FF	TIM6		
0x4000 0C00 - 0x4000 0FFF	TIM5		Section 14.4.21: TIMx register map on page 426
0x4000 0800 - 0x4000 0BFF	TIM4		
0x4000 0400 - 0x4000 07FF	TIM3		
0x4000 0000 - 0x4000 03FF	TIM2		

2.3.1 Embedded SRAM

The STM32F20x and STM32F21x feature 4 Kbytes of backup SRAM (see [Section 4.1.2: Battery backup domain](#)) plus 128 Kbytes of system SRAM.

The system SRAM can be accessed as bytes, half-words (16 bits) or full words (32 bits). The start address of the SRAM is 0x2000 0000. Read and write operations are performed at CPU speed with 0 wait state.

The system SRAM is split up into two blocks, of 112 KB and 16 KB, with a capability for concurrent access from by the AHB masters (like the Ethernet or the USB OTG HS): for

instance, the Ethernet MAC can read/write from/to the 16 KB SRAM while the CPU is reading/writing from/to the 112 KB SRAM.

The CPU can access the system SRAM through the System Bus or through the I-Code/D-Code buses when boot from SRAM is selected or when physical remap is selected (SYSCFG memory remap register (SYSCFG_MEMRMP) in the SYSCFG controller). To get the max performance on SRAM execution, physical remap should be selected (boot or software selection).

2.3.2 Bit banding

The Cortex[®]-M3 memory map includes two bit-band regions. These regions map each word in an alias region of memory to a bit in a bit-band region of memory. Writing to a word in the alias region has the same effect as a read-modify-write operation on the targeted bit in the bit-band region.

In the STM32F20x and STM32F21x both the peripheral registers and the SRAM are mapped to a bit-band region, so that single bit-band write and read operations are allowed. The operations are only available for Cortex[®]-M3 accesses, and not from other bus masters (e.g. DMA).

A mapping formula shows how to reference each word in the alias region to a corresponding bit in the bit-band region. The mapping formula is:

$$bit_word_addr = bit_band_base + (byte_offset \times 32) + (bit_number \times 4)$$

where:

- *bit_word_addr* is the address of the word in the alias memory region that maps to the targeted bit
- *bit_band_base* is the starting address of the alias region
- *byte_offset* is the number of the byte in the bit-band region that contains the targeted bit
- *bit_number* is the bit position (0-7) of the targeted bit

Example

The following example shows how to map bit 2 of the byte located at SRAM address 0x20000300 to the alias region:

$$0x22006008 = 0x22000000 + (0x300 \times 32) + (2 \times 4)$$

Writing to address 0x22006008 has the same effect as a read-modify-write operation on bit 2 of the byte at SRAM address 0x20000300.

Reading address 0x22006008 returns the value (0x01 or 0x00) of bit 2 of the byte at SRAM address 0x20000300 (0x01: bit set; 0x00: bit reset).

For more information on bit-banding, refer to the *Cortex[®]-M3 programming manual* (see [Related documents on page 1](#)).

2.3.3 Embedded Flash memory

The Flash memory has the following main features:

- Capacity up to 1 Mbyte
- 128 bits wide data read
- Byte, half-word, word and double word write
- Sector and mass erase
- Memory organization

The Flash memory is organized as follows:

- A main memory block divided into 4 sectors of 16 Kbytes, 1 sector of 64 Kbytes, and 7 sectors of 128 Kbytes
- System memory from which the device boots in System memory boot mode
- 512 OTP (one-time programmable) bytes for user data
The OTP area contains 16 additional bytes used to lock the corresponding OTP data block.
- Option bytes to configure read and write protection, BOR level, watchdog software/hardware and reset when the device is in Standby or Stop mode

Table 2. Flash module organization

Block	Name	Block base addresses	Size
Main memory	Sector 0	0x0800 0000 - 0x0800 3FFF	16 Kbyte
	Sector 1	0x0800 4000 - 0x0800 7FFF	16 Kbyte
	Sector 2	0x0800 8000 - 0x0800 BFFF	16 Kbyte
	Sector 3	0x0800 C000 - 0x0800 FFFF	16 Kbyte
	Sector 4	0x0801 0000 - 0x0801 FFFF	64 Kbyte
	Sector 5	0x0802 0000 - 0x0803 FFFF	128 Kbyte
	Sector 6	0x0804 0000 - 0x0805 FFFF	128 Kbyte
	.	.	.
	Sector 11	0x080E 0000 - 0x080F FFFF	128 Kbyte
System memory		0x1FFF 0000 - 0x1FFF 77FF	30 Kbyte
OTP		0x1FFF 7800 - 0x1FFF 7A0F	528 bytes
Option bytes		0x1FFF C000 - 0x1FFF C00F	16 bytes

2.3.4 Flash memory read interface

Relation between CPU clock frequency and Flash memory read time

To correctly read data from Flash memory, the number of wait states (LATENCY) must be correctly programmed in the *Flash access control register (FLASH_ACR)* according to the frequency of the Cortex[®]-M3 clock and the supply voltage of the device. *Table 3* shows the correspondence between wait states and core clock frequency.

Table 3. Number of wait states according to Cortex[®]-M3 clock frequency

Wait states (WS) (LATENCY)	HCLK - Cortex [®] -M3 clock frequency (MHz)			
	Voltage range 2.7 to 3.6 V	Voltage range 2.4 to 2.7 V	Voltage range 2.1 to 2.4 V	Voltage range 1.8 ⁽¹⁾ to 2.1 V
0 WS (1 CPU cycle)	$0 < \text{HCLK} \leq 30$	$0 < \text{HCLK} \leq 24$	$0 < \text{HCLK} \leq 18$	$0 < \text{HCLK} \leq 16$
1 WS (2 CPU cycles)	$30 < \text{HCLK} \leq 60$	$24 < \text{HCLK} \leq 48$	$18 < \text{HCLK} \leq 36$	$16 < \text{HCLK} \leq 32$
2 WS (3 CPU cycles)	$60 < \text{HCLK} \leq 90$	$48 < \text{HCLK} \leq 72$	$36 < \text{HCLK} \leq 54$	$32 < \text{HCLK} \leq 48$
3 WS (4 CPU cycles)	$90 < \text{HCLK} \leq 120$	$72 < \text{HCLK} \leq 96$	$54 < \text{HCLK} \leq 72$	$48 < \text{HCLK} \leq 64$
4 WS (5 CPU cycles)		$96 < \text{HCLK} \leq 120$	$72 < \text{HCLK} \leq 90$	$64 < \text{HCLK} \leq 80$
5 WS (6 CPU cycles)			$90 < \text{HCLK} \leq 108$	$80 < \text{HCLK} \leq 96$
6 WS (7 CPU cycles)			$108 < \text{HCLK} \leq 120$	$96 < \text{HCLK} \leq 112$
7 WS (8 CPU cycles)				$112 < \text{HCLK} \leq 120$

1. If IRROFF is set to VDD on STM32F20xx devices, this value can be lowered to 1.65 V when the device operates in a reduced temperature range.

After reset, the CPU clock frequency is 16 MHz and 0 wait state (WS) is configured in the FLASH_ACR register.

It is highly recommended to use the following software sequences to tune the number of wait states needed to access the Flash memory with the CPU frequency.

Increasing the CPU frequency

- Program the new number of wait states to the LATENCY bits in the FLASH_ACR register
- Check that the new number of wait states is used to access the Flash memory by reading the FLASH_ACR register
- Modify the CPU clock source by writing the SW bits in the [RCC clock configuration register \(RCC_CFGR\)](#)
- If needed, modify the CPU clock prescaler by writing the HPRE bits in RCC_CFGR
- Check that the new CPU clock source or/and the new CPU clock prescaler value is/are taken into account by reading the clock source status (SWS bits) or/and the AHB prescaler value (HPRE bits), respectively, in the RCC_CFGR register

Decreasing the CPU frequency

- Modify the CPU clock source by writing the SW bits in the RCC_CFGR register
- If needed, modify the CPU clock prescaler by writing the HPRE bits in RCC_CFGR
- Check that the new CPU clock source or/and the new CPU clock prescaler value is/are taken into account by reading the clock source status (SWS bits) or/and the AHB prescaler value (HPRE bits), respectively, in the RCC_CFGR register
- Program the new number of wait states to the LATENCY bits in FLASH_ACR
- Check that the new number of wait states is used to access the Flash memory by reading the FLASH_ACR register

Note: A change in CPU clock configuration or wait state (WS) configuration may not be effective straight away. To make sure that the current CPU clock frequency is the one you have

configured, you can check the AHB prescaler factor and clock source status values. To make sure that the number of WS you have programmed is effective, you can read the FLASH_ACR register.

The FLASH_ACR register is used to enable/disable the acceleration features and control the Flash memory access time according to CPU frequency. The tables below provides the bit map and bit descriptions for this register.

For complete information on Flash memory operations and register configurations, refer to the STM32F20x and STM32F21x Flash programming manual (PM0059).

Flash access control register (FLASH_ACR)

The Flash access control register is used to enable/disable the acceleration features and control the Flash memory access time according to CPU frequency.

Address offset: 0x00

Reset value: 0x0000 0000

Access: no wait state, word, half-word and byte access

31	30	29	28	27	26	25	24	23	22	21	20	19	18	17	16
Reserved															
15	14	13	12	11	10	9	8	7	6	5	4	3	2	1	0
Reserved			DCRST	ICRST	DCEN	ICEN	PRFTEN	Reserved					LATENCY		
			rw	w	rw	rw	rw						rw	rw	rw

Bits 31:11 Reserved, must be kept cleared.

Bit 12 **DCRST**: Data cache reset

0: Data cache is not reset

1: Data cache is reset

This bit can be written only when the D cache is disabled.

Bit 11 **ICRST**: Instruction cache reset

0: Instruction cache is not reset

1: Instruction cache is reset

This bit can be written only when the I cache is disabled.

Bit 10 **DCEN**: Data cache enable

0: Data cache is disabled

1: Data cache is enabled

Bit 9 **ICEN**: Instruction cache enable

0: Instruction cache is disabled

1: Instruction cache is enabled

Bit 8 **PRFTEN**: Prefetch enable

0: Prefetch is disabled

1: Prefetch is enabled

Bits 7:3 Reserved, must be kept cleared.

Bits 2:0 **LATENCY**: Latency

These bits represent the ratio of the CPU clock period to the Flash memory access time.

000: Zero wait state

001: One wait state

010: Two wait states

011: Three wait states

100: Four wait states

101: Five wait states

110: Six wait states

111: Seven wait states

2.3.5 Adaptive real-time memory accelerator (ART Accelerator™)

The ART Accelerator™ is a memory accelerator which is optimized for STM32 industry-standard Arm® Cortex®-M3 processors. It balances the inherent performance advantage of the Arm® Cortex®-M3 over Flash memory technologies, which normally requires the processor to wait for the Flash memory at higher operating frequencies. Thanks to the ART Accelerator™, the CPU can operate up to 120 MHz without wait states, thereby increasing the overall system speed and efficiency.

To release the processor full 150 DMIPS performance at this frequency the accelerator implements an instruction prefetch queue and branch cache, which enables program execution from Flash memory at up to 120 MHz without wait states.

2.4 Boot configuration

Due to its fixed memory map, the code area starts from address 0x0000 0000 (accessed through the ICode/DCode buses) while the data area (SRAM) starts from address 0x2000 0000 (accessed through the system bus). The Cortex®-M3 CPU always fetches the reset vector on the ICode bus, which implies to have the boot space available only in the code area (typically, Flash memory). STM32F20x and STM32F21x microcontrollers implement a special mechanism to be able to boot from other memories (like the internal SRAM).

In the STM32F20x and STM32F21x, three different boot modes can be selected through the BOOT[1:0] pins as shown in [Table 4](#).

Table 4. Boot modes

Boot mode selection pins		Boot mode	Aliasing
BOOT1	BOOT0		
x	0	Main Flash memory	Main Flash memory is selected as the boot space
0	1	System memory	System memory is selected as the boot space
1	1	Embedded SRAM	Embedded SRAM is selected as the boot space

The values on the BOOT pins are latched on the 4th rising edge of SYSCCLK after a reset. It is up to the user to set the BOOT1 and BOOT0 pins after reset to select the required boot mode.

BOOT0 is a dedicated pin while BOOT1 is shared with a GPIO pin. Once BOOT1 has been sampled, the corresponding GPIO pin is free and can be used for other purposes.

The BOOT pins are also resampled when the device exits the Standby mode. Consequently, they must be kept in the required Boot mode configuration when the device is in the Standby mode. After this startup delay is over, the CPU fetches the top-of-stack value from address 0x0000 0000, then starts code execution from the boot memory starting from 0x0000 0004.

Note: When the device boots from SRAM, in the application initialization code, you have to relocate the vector table in SRAM using the NVIC exception table and the offset register.

Physical remap

Once the boot pins are selected, the application software can modify the memory accessible in the code area (in this way the code can be executed through the ICode bus in place of the System bus). This modification is performed by programming the [Section 7.2.1: SYSCFG memory remap register \(SYSCFG_MEMRMP\)](#) in the SYSCFG controller.

The following memories can thus be remapped:

- Main Flash memory
- System memory
- Embedded SRAM1 (112 KB)
- FSMC Bank 1 (NOR/PSRAM 1 and 2)

Table 5. Memory mapping vs. Boot mode/physical remap

Addresses	Boot/Remap in main Flash memory	Boot/Remap in embedded SRAM	Boot/Remap in System memory	Remap in FSMC
0x2001 C000 - 0x2001 FFFF	SRAM2 (16 KB)	SRAM2 (16 KB)	SRAM2 (16 KB)	SRAM2 (16 KB)
0x2000 0000 - 0x2001 BFFF	SRAM1 (112 KB)	SRAM1 (112 KB)	SRAM1 (112 KB)	SRAM1 (112 KB)
0x1FFF 0000 - 0x1FFF 77FF	System memory	System memory	System memory	System memory
0x0810 0000 - 0x0FFF FFFF	Reserved	Reserved	Reserved	Reserved
0x0800 0000 - 0x080F FFFF	Flash memory	Flash memory	Flash memory	Flash memory
0x0400 0000 - 0x07FF FFFF	Reserved	Reserved	Reserved	FSMC Bank1 NOR/PSRAM 2 (Aliased)
0x0000 0000 - 0x03FF FFFF ⁽¹⁾⁽²⁾	Flash (1 MB) Aliased	SRAM1 (112 KB) Aliased	System memory (30 KB) Aliased	FSMC Bank1 NOR/PSRAM 1 (Aliased)

1. When the FSMC is remapped at address 0x0000 0000, only the first two regions of Bank 1 memory controller (Bank1 NOR/PSRAM 1 and NOR/PSRAM 2) can be remapped. In remap mode, the CPU can access the external memory via ICode bus instead of System bus which boosts up the performance. However, in remap mode, the FSMC addressing is fixed to the remap address area only (Bank1 NOR/PSRAM 1 and NOR/PSRAM 2) and FSMC control registers are not accessible. The FSMC remap function must be disabled to allows addressing other memory devices through the FSMC and/or to access FSMC control registers.
2. Even when aliased in the boot memory space, the related memory is still accessible at its original memory space.

Embedded bootloader

The embedded bootloader mode is used to reprogram the Flash memory using one of the following serial interfaces:

- USART1(PA9/PA10)
- USART3(PB10/11 and PC10/11)
- CAN2(PB5/13)
- USB OTG FS(PA11/12) in Device mode (DFU: device firmware upgrade).

The USART peripherals operate at the internal 16 MHz oscillator (HSI) frequency, while the CAN and USB OTG FS require an external clock (HSE) multiple of 1 MHz (ranging from 4 to 26 MHz).

The embedded bootloader code is located in system memory. It is programmed by ST during production. For additional information, refer to application note AN2606.

3 CRC calculation unit

This section applies to the whole STM32F20x and STM32F21x and family, unless otherwise specified.

3.1 CRC introduction

The CRC (cyclic redundancy check) calculation unit is used to get a CRC code from a 32-bit data word and a fixed generator polynomial.

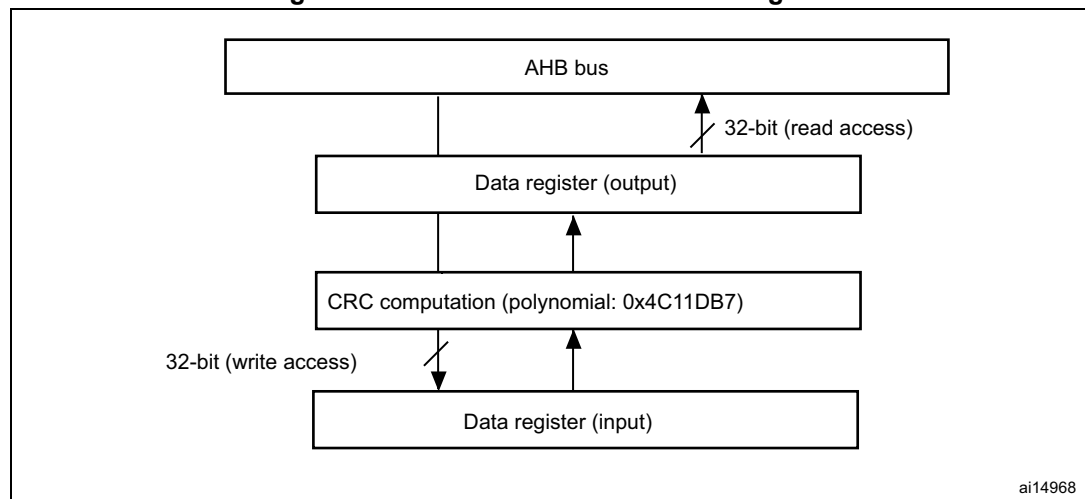
Among other applications, CRC-based techniques are used to verify data transmission or storage integrity. In the scope of the EN/IEC 60335-1 standard, they offer a means of verifying the flash memory integrity. The CRC calculation unit helps compute a signature of the software during runtime, to be compared with a reference signature generated at link-time and stored at a given memory location.

3.2 CRC main features

- Uses CRC-32 (Ethernet) polynomial: 0x4C11DB7
 - $X^{32} + X^{26} + X^{23} + X^{22} + X^{16} + X^{12} + X^{11} + X^{10} + X^8 + X^7 + X^5 + X^4 + X^2 + X + 1$
- Single input/output 32-bit data register
- CRC computation done in 4 AHB clock cycles (HCLK)
- General-purpose 8-bit register (can be used for temporary storage)

The block diagram is shown in [Figure 2](#).

Figure 2. CRC calculation unit block diagram



3.3 CRC functional description

The CRC calculation unit mainly consists of a single 32-bit data register, which:

- is used as an input register to enter new data in the CRC calculator (when writing into the register)
- holds the result of the previous CRC calculation (when reading the register)

Each write operation into the data register creates a combination of the previous CRC value and the new one (CRC computation is done on the whole 32-bit data word, and not byte per byte).

The write operation is stalled until the end of the CRC computation, thus allowing back-to-back write accesses or consecutive write and read accesses.

The CRC calculator can be reset to 0xFFFF FFFF with the RESET control bit in the CRC_CR register. This operation does not affect the contents of the CRC_IDR register.

3.4 CRC registers

The CRC calculation unit contains two data registers and a control register. The peripheral The CRC registers have to be accessed by words (32 bits).

3.4.1 Data register (CRC_DR)

Address offset: 0x00

Reset value: 0xFFFF FFFF

31	30	29	28	27	26	25	24	23	22	21	20	19	18	17	16
DR [31:16]															
rw	rw	rw	rw	rw	rw	rw	rw	rw	rw	rw	rw	rw	rw	rw	rw
15	14	13	12	11	10	9	8	7	6	5	4	3	2	1	0
DR [15:0]															
rw	rw	rw	rw	rw	rw	rw	rw	rw	rw	rw	rw	rw	rw	rw	rw

Bits 31:0 **Data register bits**

Used as an input register when writing new data into the CRC calculator.
 Holds the previous CRC calculation result when it is read.

3.4.2 Independent data register (CRC_IDR)

Address offset: 0x04

Reset value: 0x0000 0000

31	30	29	28	27	26	25	24	23	22	21	20	19	18	17	16
Reserved															
15	14	13	12	11	10	9	8	7	6	5	4	3	2	1	0
Reserved								IDR[7:0]							
								rw	rw	rw	rw	rw	rw	rw	rw

Bits 31:8 Reserved, must be kept at reset value.

Bits 7:0 **General-purpose 8-bit data register bits**

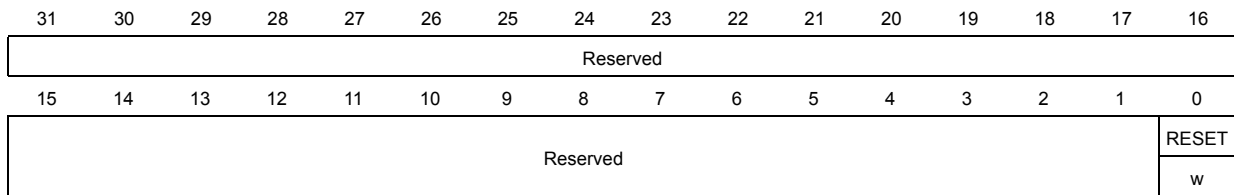
Can be used as a temporary storage location for one byte.

This register is not affected by CRC resets generated by the RESET bit in the CRC_CR register.

3.4.3 Control register (CRC_CR)

Address offset: 0x08

Reset value: 0x0000 0000



Bits 31:1 Reserved, must be kept at reset value.

Bit 0 **RESET bit**

Resets the CRC calculation unit and sets the data register to 0xFFFF FFFF.

This bit can only be set, it is automatically cleared by hardware.

3.4.4 CRC register map

The following table provides the CRC register map and reset values.

Table 6. CRC calculation unit register map and reset values

Offset	Register	31-24	23-16	15-8	7	6	5	4	3	2	1	0	
0x00	CRC_DR	Data register											
	Reset value	0xFFFF FFFF											
0x04	CRC_IDR	Reserved			Independent data register								
	Reset value				0x00								
0x08	CRC_CR	Reserved										RESET	
	Reset value											0	

4 Power control (PWR)

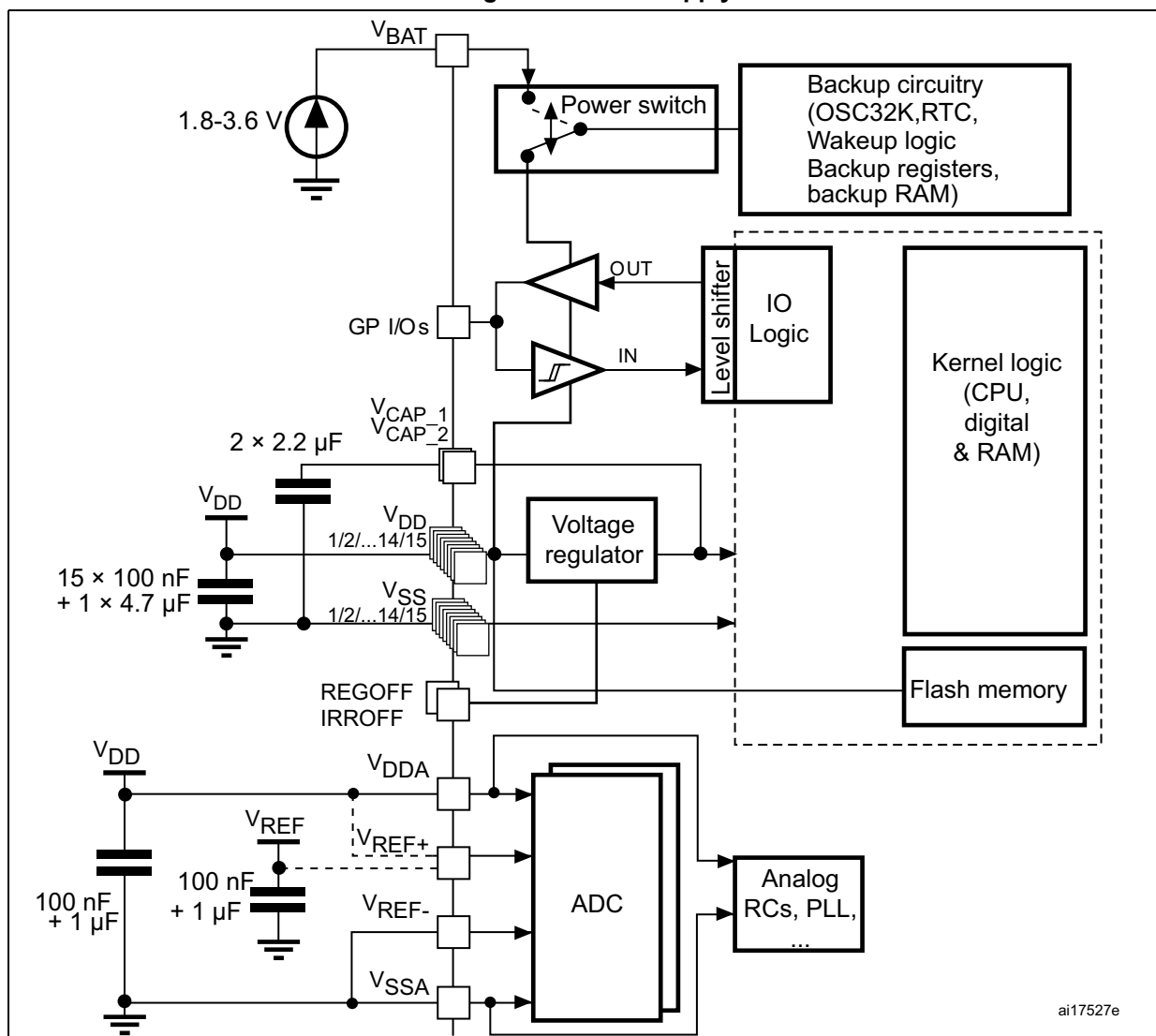
4.1 Power supplies

The device requires a 1.8-to-3.6 V operating voltage supply (V_{DD}). An embedded linear voltage regulator is used to supply the internal 1.2 V digital power.

The real-time clock (RTC), the RTC backup registers, and the backup SRAM (BKP SRAM) can be powered from the V_{BAT} voltage when the main V_{DD} supply is powered off.

Note: Depending on the operating power supply range, some peripheral may be used with limited functionality and performance. For more details refer to section “General operating conditions” in STM32F2xx datasheets.

Figure 3. Power supply overview



- 1. V_{DDA} and V_{SSA} must be connected to V_{DD} and V_{SS} , respectively.
- 2. IRROFF is only available on WLCSP package.

4.1.1 Independent A/D converter supply and reference voltage

To improve conversion accuracy, the ADC has an independent power supply which can be separately filtered and shielded from noise on the PCB.

- The ADC voltage supply input is available on a separate V_{DDA} pin.
- An isolated supply ground connection is provided on pin V_{SSA} .

To ensure a better accuracy of low voltage inputs, the user can connect a separate external reference voltage ADC input on V_{REF} . The voltage on V_{REF} ranges from 1.8 V to V_{DDA} .

4.1.2 Battery backup domain

Backup domain description

To retain the content of the RTC backup registers, backup SRAM, and supply the RTC when V_{DD} is turned off, V_{BAT} pin can be connected to an optional standby voltage supplied by a battery or by another source.

To allow the RTC to operate even when the main digital supply (V_{DD}) is turned off, the V_{BAT} pin powers the following blocks:

- The RTC
- The LSE oscillator
- The backup SRAM when the low-power backup regulator is enabled
- PC13 to PC15 I/Os, plus PI8 I/O (when available)

The switch to the V_{BAT} supply is controlled by the power-down reset embedded in the Reset block.

Warning: During $t_{RSTTEMPO}$ (temporization at V_{DD} startup) or after a PDR is detected, the power switch between V_{BAT} and V_{DD} remains connected to V_{BAT} .
During the startup phase, if V_{DD} is established in less than $t_{RSTTEMPO}$ (Refer to the datasheet for the value of $t_{RSTTEMPO}$) and $V_{DD} > V_{BAT} + 0.6$ V, a current may be injected into V_{BAT} through an internal diode connected between V_{DD} and the power switch (V_{BAT}).
If the power supply/battery connected to the V_{BAT} pin cannot support this current injection, it is strongly recommended to connect an external low-drop diode between this power supply and the V_{BAT} pin.

If no external battery is used in the application, it is recommended to connect the V_{BAT} pin to V_{DD} supply, and add a 100 nF external decoupling ceramic capacitor on V_{BAT} pin.

When the backup domain is supplied by V_{DD} (analog switch connected to V_{DD}), the following functions are available:

- PC14 and PC15 can be used as either GPIO or LSE pins
- PC13 can be used as a GPIO or as the RTC_AF1 pin (refer to [Table 16: RTC_AF1 pin](#) for more details about this pin configuration)
- PI8 can be used as a GPIO or as the RTC_AF2 pin (refer to [Table 17: RTC_AF2 pin](#) for more details about this pin configuration)

Note: Due to the fact that the switch only sinks a limited amount of current (3 mA), the use of GPIOs PC13 to PC15 and PI8 are restricted: only one I/O at a time can be used as an output, the speed has to be limited to 2 MHz with a maximum load of 30 pF and these I/Os must not be used as a current source (e.g. to drive an LED).

When the backup domain is supplied by V_{BAT} (analog switch connected to V_{BAT} because V_{DD} is not present), the following functions are available:

- PC14 and PC15 can be used as LSE pins only
- PC13 can be used as the RTC_AF1 pin (refer to [Table 16: RTC_AF1 pin](#) for more details about this pin configuration)
- PI8 can be used as the RTC_AF2 pin (refer to [Table 17: RTC_AF2 pin](#) for more details about this pin configuration)

Backup domain access

After reset, the backup domain (RTC registers, RTC backup register and backup SRAM) is protected against possible unwanted write accesses. To enable access to the backup domain, proceed as follows:

- Access to the RTC and RTC backup registers
 1. Enable the power interface clock by setting the PWREN bits in the [RCC APB1 peripheral clock enable register \(RCC_APB1ENR\)](#)
 2. Set the DBP bit in the [PWR power control register \(PWR_CR\)](#) to enable access to the backup domain
 3. Select the RTC clock source: see [Section 5.2.8: RTC/AWU clock](#)
 4. Enable the RTC clock by programming the RTCEN [15] bit in the [RCC Backup domain control register \(RCC_BDCR\)](#)
- Access to the backup SRAM
 1. Enable the power interface clock by setting the PWREN bits in the [RCC APB1 peripheral clock enable register \(RCC_APB1ENR\)](#)
 2. Set the DBP bit in the [PWR power control register \(PWR_CR\)](#) to enable access to the backup domain
 3. Enable the backup SRAM clock by setting BKPSRAMEN bit in the [RCC AHB1 peripheral clock register \(RCC_AHB1ENR\)](#)

RTC and RTC backup registers

The real-time clock (RTC) is an independent BCD timer/counter. The RTC provides a time-of-day clock/calendar, two programmable alarm interrupts, and a periodic programmable wakeup flag with interrupt capability. The RTC contains 20 backup data registers (80 bytes) which are reset when a tamper detection event occurs. For more details refer to [Section 22: Real-time clock \(RTC\)](#).

Backup SRAM

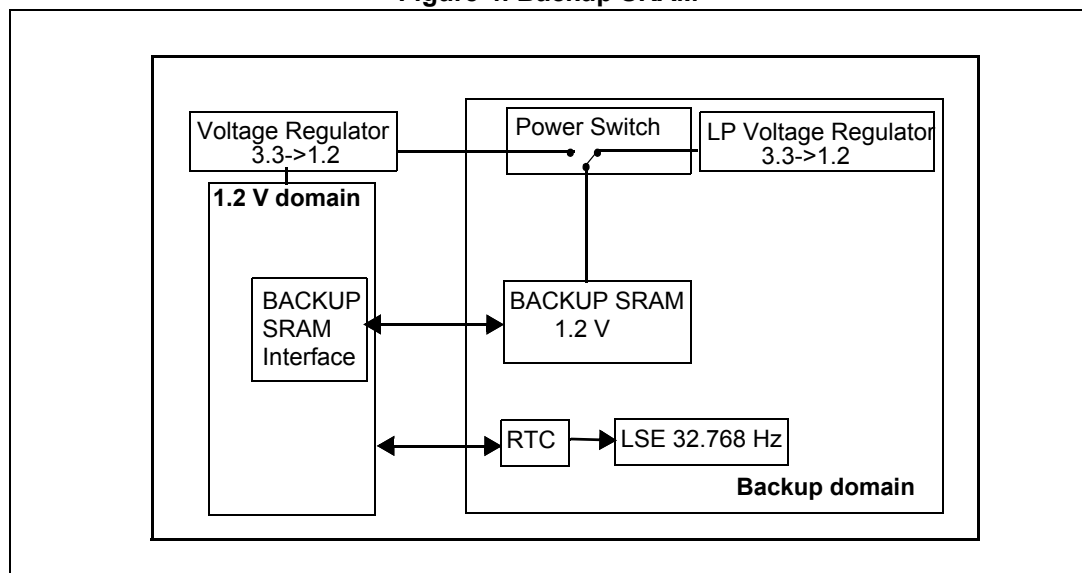
The backup domain includes 4 Kbytes of backup SRAM addressed in 32-bit, 16-bit or 8-bit mode. Its content is retained even in Standby or V_{BAT} mode when the low-power backup regulator is enabled. It can be considered as an internal EEPROM when V_{BAT} is always present.

When the backup domain is supplied by V_{DD} (analog switch connected to V_{DD}), the backup SRAM is powered from V_{DD} which replaces the V_{BAT} power supply to save battery life.

When the backup domain is supplied by V_{BAT} (analog switch connected to V_{BAT} because V_{DD} is not present), the backup SRAM is powered by a dedicated low-power regulator. This regulator can be ON or OFF depending whether the application needs the backup SRAM function in Standby and V_{BAT} modes or not. The power down of this regulator is controlled by a dedicated bit, the BRE control bit of the PWR_CSR register (see [Section 4.4.2](#)).

The backup SRAM is not mass erased by a tamper event. It is read protected to prevent confidential data, such as cryptographic private key, from being accessed. The backup SRAM can be erased only through the flash interface when a protection level change from level 1 to level 0 is requested. Refer to the description of Read protection (RDP) in the programming manual.

Figure 4. Backup SRAM



4.1.3 Voltage regulator

An embedded linear voltage regulator supplies all the digital circuitries except for the backup domain and the Standby circuitry. The regulator output voltage is 1.2 V.

This voltage regulator requires two external capacitors to be connected to two dedicated pins, V_{CAP_1} and V_{CAP_2} available in all packages.

The voltage regulator is always enabled after Reset. It works in three different modes depending on the application modes.

- In Run mode, the regulator supplies full power to the 1.2 V domain (core, memories and digital peripherals).
- In Stop mode the regulator supplies low power to the 1.2 V domain, preserving the content of registers and internal SRAM.
- In Standby mode, the regulator is powered down. The content of the registers and SRAM are lost except for the Standby circuitry and the backup domain.

Note: Depending on the selected package, the voltage regulator can be deactivated. For more details, refer to the Voltage regulator section in STM32F2xx datasheets.

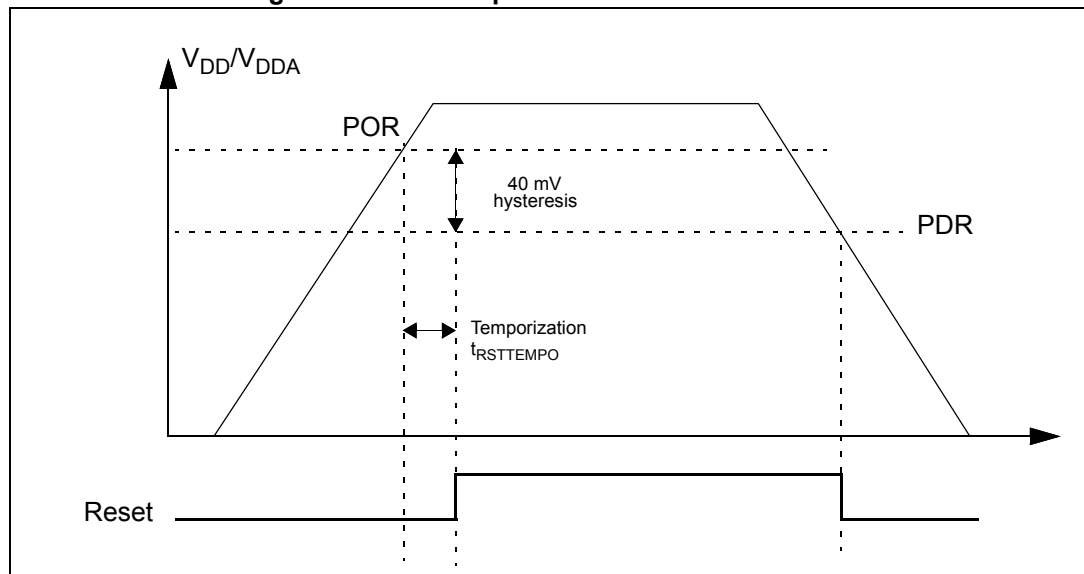
4.2 Power supply supervisor

4.2.1 Power-on reset (POR)/power-down reset (PDR)

The device has an integrated POR/PDR circuitry that allows proper operation starting from/down to 1.8 V.

The device remains in Reset mode when V_{DD}/V_{DDA} is below a specified threshold, $V_{POR/PDR}$, without the need for an external reset circuit. For more details concerning the power-on/power-down reset threshold, refer to the electrical characteristics of the datasheet.

Figure 5. Power-on/power-down reset waveform



4.2.2 Brownout reset (BOR)

During power on, the Brownout reset (BOR) keeps the device under reset until the supply voltage reaches the specified V_{BOR} threshold.

V_{BOR} is configured through device option bytes. By default, BOR is off. Three programmable V_{BOR} threshold levels can be selected:

BOR Level 3 (V_{BOR3}). Brownout threshold level 3.

BOR Level 2 (V_{BOR2}). Brownout threshold level 2.

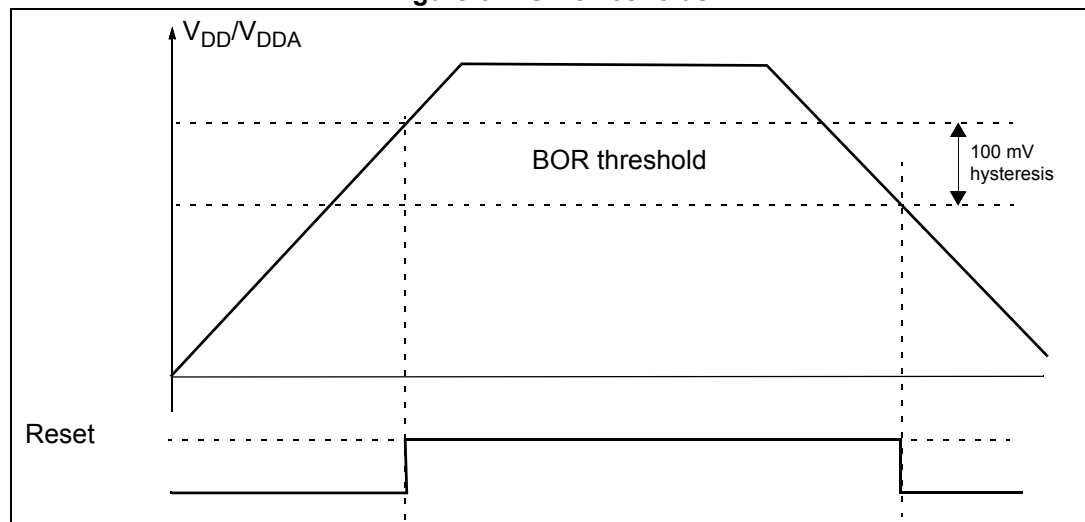
BOR Level 1 (V_{BOR1}). Brownout threshold level 1.

Note: For full details about BOR characteristics, refer to Section “Electrical characteristics” in the device datasheet.

When the supply voltage (V_{DD}) drops below the selected V_{BOR} threshold, a device reset is generated. The BOR can be disabled by programming the device option bytes. Therefore, the power-on and power-down is then monitored by the POR/ PDR (see [Section 4.2.1](#)).

The BOR threshold hysteresis is ~100 mV (between the rising and the falling edge of the supply voltage).

Figure 6. BOR thresholds



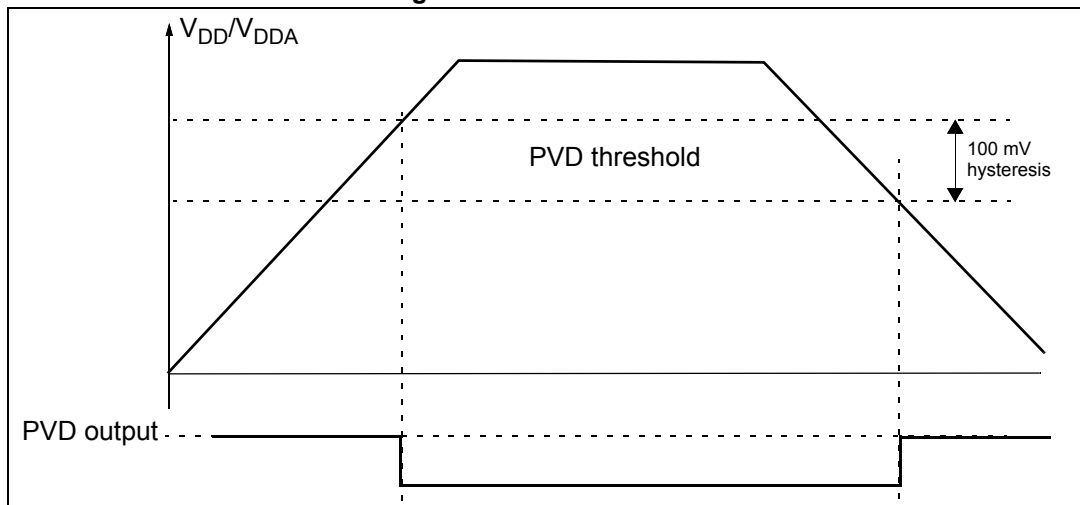
4.2.3 Programmable voltage detector (PVD)

You can use the PVD to monitor the V_{DD}/V_{DDA} power supply by comparing it to a threshold selected by the PLS[2:0] bits in the [PWR power control register \(PWR_CR\)](#).

The PVD is enabled by setting the PVDE bit.

A PVDO flag is available, in the [PWR power control/status register \(PWR_CSR\)](#), to indicate if V_{DD}/V_{DDA} is higher or lower than the PVD threshold. This event is internally connected to the EXTI line16 and can generate an interrupt if enabled through the EXTI registers. The PVD output interrupt can be generated when V_{DD}/V_{DDA} drops below the PVD threshold and/or when V_{DD}/V_{DDA} rises above the PVD threshold depending on EXTI line16 rising/falling edge configuration. As an example the service routine could perform emergency shutdown tasks.

Figure 7. PVD thresholds



4.3 Low-power modes

By default, the microcontroller is in Run mode after a system or a power-on reset. In Run mode the CPU is clocked by HCLK and the program code is executed. Several low-power modes are available to save power when the CPU does not need to be kept running, for example when waiting for an external event. It is up to the user to select the mode that gives the best compromise between low-power consumption, short startup time and available wakeup sources.

The devices feature three low-power modes:

- Sleep mode (Cortex[®]-M3 core stopped, peripherals kept running)
- Stop mode (all clocks are stopped)
- Standby mode (1.2 V domain powered off)

In addition, the power consumption in Run mode can be reduced by one of the following means:

- Slowing down the system clocks
- Gating the clocks to the APBx and AHBx peripherals when they are unused.

Entering low-power mode

Low-power modes are entered by the MCU by executing the WFI (Wait For Interrupt), or WFE (Wait for Event) instructions, or when the SLEEPONEXIT bit in the Cortex[®]-M3 System Control register is set on Return from ISR.

Exiting low-power mode

The MCU exits from Sleep and Stop modes low-power mode depending on the way the low-power mode was entered:

- If the WFI instruction or Return from ISR was used to enter the low-power mode, any peripheral interrupt acknowledged by the NVIC can wake up the device.
- If the WFE instruction is used to enter the low-power mode, the MCU exits the low-power mode as soon as an event occurs. The wakeup event can be generated either by:
 - NVIC IRQ interrupt:

When SEVONPEND = 0 in the Cortex[®]-M3 System Control register: by enabling an interrupt in the peripheral control register and in the NVIC. When the MCU resumes from WFE, the peripheral interrupt pending bit and the NVIC peripheral IRQ channel pending bit (in the NVIC interrupt clear pending register) have to be cleared. Only NVIC interrupts with sufficient priority will wakeup and interrupt the MCU.

When SEVONPEND = 1 in the Cortex[®]-M3 System Control register: by enabling an interrupt in the peripheral control register and optionally in the NVIC. When the MCU resumes from WFE, the peripheral interrupt pending bit and when enabled the NVIC peripheral IRQ channel pending bit (in the NVIC interrupt clear pending register) have to be cleared. All NVIC interrupts will wakeup the MCU, even the disabled ones. Only enabled NVIC interrupts with sufficient priority will wakeup and interrupt the MCU.
 - Event

This is done by configuring a EXTI line in event mode. When the CPU resumes from WFE, it is not necessary to clear the EXTI peripheral interrupt pending bit or the NVIC IRQ channel pending bit as the pending bits corresponding to the event line is not set. It may be necessary to clear the interrupt flag in the peripheral.

The MCU exits from Standby low-power mode through an external reset (NRST pin), an IWDG reset, a rising edge on one of the enabled WKUPx pins or a RTC event occurs (see [Figure 215: RTC block diagram](#)).

After waking up from Standby mode, program execution restarts in the same way as after a Reset (boot pin sampling, option bytes loading, reset vector is fetched, etc.).

Table 7. Low-power mode summary

Mode name	Entry	Wakeup	Effect on 1.2 V domain clocks	Effect on V _{DD} domain clocks	Voltage regulator
Sleep (Sleep now or Sleep-on-exit)	WFI or Return from ISR	Any interrupt	CPU CLK OFF no effect on other clocks or analog clock sources	None	ON
	WFE	Wakeup event			
Stop	PDDS and LPDS bits + SLEEPDEEP bit + WFI, Return from ISR or WFE	Any EXTI line (configured in the EXTI registers, internal and external lines)	All 1.2 V domain clocks OFF	HSI and HSE oscillators OFF	ON or in low- power mode (depends on PWR power control register (PWR_CR))
Standby	PDDS bit + SLEEPDEEP bit + WFI, Return from ISR or WFE	WKUP pin rising edge, RTC alarm (Alarm A or Alarm B), RTC Wakeup event, RTC tamper event, RTC time stamp event, external reset in NRST pin, IWDG reset			OFF

4.3.1 Slowing down system clocks

In Run mode the speed of the system clocks (SYSCLK, HCLK, PCLK1, PCLK2) can be reduced by programming the prescaler registers. These prescalers can also be used to slow down peripherals before entering Sleep mode.

For more details refer to [Section 5.3.3: RCC clock configuration register \(RCC_CFGR\)](#).

4.3.2 Peripheral clock gating

In Run mode, the HCLKx and PCLKx for individual peripherals and memories can be stopped at any time to reduce power consumption.

To further reduce power consumption in Sleep mode the peripheral clocks can be disabled prior to executing the WFI or WFE instructions.

Peripheral clock gating is controlled by the AHB1 peripheral clock enable register (RCC_AHB1ENR), AHB2 peripheral clock enable register (RCC_AHB2ENR), AHB3 peripheral clock enable register (RCC_AHB3ENR) (see [RCC APB1 peripheral clock enable register \(RCC_APB1ENR\)](#) and [RCC APB2 peripheral clock enable register \(RCC_APB2ENR\)](#)).

Disabling the peripherals clocks in Sleep mode can be performed automatically by resetting the corresponding bit in RCC_AHBxLPENR and RCC_APBxLPENR registers.

4.3.3 Sleep mode

Entering Sleep mode

The Sleep mode is entered according to [Entering low-power mode](#), when the SLEEPDEEP bit in the Cortex[®]-M3 System Control register is cleared.

Refer to [Table 8](#) and [Table 9](#) for details on how to enter Sleep mode.

Exiting Sleep mode

The Sleep mode is exited according to [Exiting low-power mode](#).

Refer to [Table 8](#) and [Table 9](#) for more details on how to exit Sleep mode.

Table 8. Sleep-now

Sleep-now mode	Description
Mode entry	WFI (Wait for Interrupt) or WFE (Wait for Event) while: – SLEEPDEEP = 0 Refer to the Cortex [®] -M3 System Control register.
	On Return from ISR while: – SLEEPDEEP = 0 and – SLEEPONEXIT = 1 Refer to the Cortex [®] -M3 System Control register.
Mode exit	If WFI or return from ISR was used for entry: Interrupt: Refer to Table 20: Vector table If WFE was used for entry and SEVONPEND = 0: Wakeup event: Refer to Section 8.2.3: Wake-up event management If WFE was used for entry and SEVONPEND = 1 Interrupt even when disabled in NVIC (refer to Table 20: Vector table) or Wakeup event (refer to Section 8.2.3: Wake-up event management)
Wakeup latency	None

Table 9. Sleep-on-exit

Sleep-on-exit	Description
Mode entry	WFI (Wait for Interrupt) or WFE (Wait for Event) while: – SLEEPDEEP = 0 Refer to the Cortex [®] -M3 System Control register.
	On Return from ISR while: – SLEEPDEEP = 0 and – SLEEPONEXIT = 1 Refer to the Cortex [®] -M3 System Control register.
Mode exit	Interrupt: refer to Table 20: Vector table .
Wakeup latency	None

4.3.4 Stop mode

The Stop mode is based on the Cortex[®]-M3 deepsleep mode combined with peripheral clock gating. The voltage regulator can be configured either in normal or low-power mode. In Stop mode, all clocks in the 1.2 V domain are stopped, the PLLs, the HSI and the HSE RC oscillators are disabled. Internal SRAM and register contents are preserved.

By setting the FPDS bit in the PWR_CR register, the flash memory also enters power down mode when the device enters Stop mode. When the flash memory is in power down mode, an additional startup delay is incurred when waking up from Stop mode.

Entering Stop mode

The Stop mode is entered according to [Section : Entering low-power mode](#), when the SLEEPDEEP bit in the Cortex[®]-M3 System Control register is set.

Refer to [Table 10](#) for details on how to enter the Stop mode.

To further reduce power consumption in Stop mode, the internal voltage regulator can be put in low-power mode. This is configured by the LPDS bit of the [PWR power control register \(PWR_CR\)](#).

If flash memory programming is ongoing, the Stop mode entry is delayed until the memory access is finished.

If an access to the APB domain is ongoing, the Stop mode entry is delayed until the APB access is finished.

In Stop mode, the following features can be selected by programming individual control bits:

- Independent watchdog (IWDG): the IWDG is started by writing to its Key register or by hardware option. Once started it cannot be stopped except by a Reset. See [Section 17.3: IWDG functional description](#).
- Real-time clock (RTC): this is configured by the RTCEN bit in the [RCC Backup domain control register \(RCC_BDCR\)](#)
- Internal RC oscillator (LSI RC): this is configured by the LSION bit in the [RCC clock control & status register \(RCC_CSR\)](#).
- External 32.768 kHz oscillator (LSE OSC): this is configured by the LSEON bit in the [RCC Backup domain control register \(RCC_BDCR\)](#).

The ADC or DAC can also consume power during the Stop mode, unless they are disabled before entering it. To disable them, the ADON bit in the ADC_CR2 register and the ENx bit in the DAC_CR register must both be written to 0.

If the application needs to disable the external clock before entering the stop mode, the HSEON bit must be first disabled and the system clock switched on HSI.

Otherwise, if the HSEON bit is kept enabled while external clock (external oscillator) can be removed before entering stop mode, the clock security system (CSS) feature must be enabled to detect any external oscillator failure and avoid a malfunction behavior when entering stop mode.

Exiting Stop mode

The Stop mode is exited according to [Exiting low-power mode](#).

Refer to [Table 10](#) for more details on how to exit Stop mode.

When exiting Stop mode by issuing an interrupt or a wakeup event, the HSI RC oscillator is selected as system clock.

When the voltage regulator operates in low-power mode, an additional startup delay is incurred when waking up from Stop mode. By keeping the internal regulator ON during Stop mode, the consumption is higher although the startup time is reduced.

Table 10. Stop mode

Stop mode	Description
Mode entry	WFI (Wait for Interrupt) or WFE (Wait for Event) while: <ul style="list-style-type: none"> – SLEEPDEEP bit is set in Cortex[®]-M3 System Control register – PDDS bit is cleared in Power Control register (PWR_CR) – Select the voltage regulator mode by configuring LPDS bit in PWR_CR.
	On Return from ISR: <ul style="list-style-type: none"> – SLEEPDEEP bit is set in Cortex[®]-M3 System Control register – SLEEPONEXIT = 1 – PDDS bit is cleared in Power Control register (PWR_CR)
	<i>Note: To enter Stop mode, all EXTI Line pending bits (in Section 8.3.6: Pending register (EXTI_PR)), all peripheral interrupts pending bits, the RTC Alarm (Alarm A and Alarm B), RTC wakeup, RTC tamper, and RTC time stamp flags, must be reset. Otherwise, the Stop mode entry procedure is ignored and program execution continues.</i>
Mode exit	If WFI or return from ISR was used for entry: <p>Any EXTI lines configured in Interrupt mode (the corresponding EXTI Interrupt vector must be enabled in the NVIC). The interrupt source can be external interrupts or peripherals with wakeup capability. Refer to Table 20: Vector table on page 161.</p> If WFE was used for entry and SEVONPEND = 0 <p>Any EXTI lines configured in event mode. Refer to Section 8.3.6: Pending register (EXTI_PR).</p> If WFE was used for entry and SEVONPEND = 1: <ul style="list-style-type: none"> – Any EXTI lines configured in Interrupt mode (even if the corresponding EXTI Interrupt vector is disabled in the NVIC). The interrupt source can be an external interrupt or a peripheral with wakeup capability. Refer to Table 20: Vector table on page 161 Wakeup event: refer to Section 8.2.3: Wake-up event management
Wakeup latency	HSI RC wakeup time + regulator wakeup time from Low-power mode

4.3.5 Standby mode

The Standby mode allows to achieve the lowest power consumption. It is based on the Cortex[®]-M3 deepsleep mode, with the voltage regulator disabled. The 1.2 V domain is consequently powered off. The PLLs, the HSI oscillator and the HSE oscillator are also switched off. SRAM and register contents are lost except for registers in the backup domain (RTC registers, RTC backup register and backup SRAM), and Standby circuitry (see [Figure 3](#)).

Entering Standby mode

The Standby mode is entered according to [Section : Entering low-power mode](#), when the SLEEPDEEP bit in the Cortex[®]-M3 System Control register is set.

Refer to [Table 11](#) for more details on how to enter Standby mode.

In Standby mode, the following features can be selected by programming individual control bits:

- Independent watchdog (IWDG): the IWDG is started by writing to its Key register or by hardware option. Once started it cannot be stopped except by a reset. See [Section 17.3: IWDG functional description](#).
- Real-time clock (RTC): this is configured by the RTCEN bit in the backup domain control register (RCC_BDCR)
- Internal RC oscillator (LSI RC): this is configured by the LSION bit in the Control/status register (RCC_CSR).
- External 32.768 kHz oscillator (LSE OSC): this is configured by the LSEON bit in the backup domain control register (RCC_BDCR)

Exiting Standby mode

The Standby mode is exited according to [Exiting low-power mode](#). The SBF status flag in PWR_CR (see [Section 4.4.2](#)) indicates that the MCU was in Standby mode. All registers are reset after wakeup from Standby except for PWR_CR.

The microcontroller exits Standby mode when an external Reset (NRST pin), an IWDG Reset, a rising edge on WKUP pin, an RTC alarm, a tamper event, or a time stamp event is detected. All registers are reset after wakeup from Standby except for [PWR power control/status register \(PWR_CSR\)](#).

After waking up from Standby mode, program execution restarts in the same way as after a Reset (boot pins sampling, vector reset is fetched, etc.). The SBF status flag in the [PWR power control/status register \(PWR_CSR\)](#) indicates that the MCU was in Standby mode.

Refer to [Table 11](#) for more details on how to exit Standby mode.

Table 11. Standby mode

Standby mode	Description
Mode entry	WFI (Wait for Interrupt) or WFE (Wait for Event) while: <ul style="list-style-type: none"> – SLEEPDEEP is set in Cortex[®]-M3 System Control register – PDDS bit is set in Power Control register (PWR_CR) – WUF bit is cleared in Power Control/Status register (PWR_CR) – the RTC flag corresponding to the chosen wakeup source (RTC Alarm A, RTC Alarm B, RTC wakeup, Tamper or Timestamp flags) is cleared
	On return from ISR while: <ul style="list-style-type: none"> – SLEEPDEEP bit is set in Cortex[®]-M3 System Control register and – SLEEPONEXIT = 1 and – PDDS bit is set in Power Control register (PWR_CR) and – WUF bit is cleared in Power Control/Status register (PWR_SR)
Mode exit	WKUP pin rising edge, RTC alarm (Alarm A and Alarm B), RTC wakeup, tamper event, time stamp event, external reset in NRST pin, IWDG reset.
Wakeup latency	Reset phase.

I/O states in Standby mode

In Standby mode, all I/O pins are high impedance except for:

- Reset pad (still available)
- RTC_AF1 pin (PC13) if configured for tamper, time stamp, RTC Alarm out, or RTC clock calibration out
- RTC_AF2 pin (PI8) if configured for tamper or time stamp
- WKUP pin (PA0), if enabled

Debug mode

By default, the debug connection is lost if the application puts the MCU in Stop or Standby mode while the debug features are used. This is due to the fact that the Cortex[®]-M3 core is no longer clocked.

However, by setting some configuration bits in the DBGMCU_CR register, the software can be debugged even when using the low-power modes extensively. For more details, refer to [Section 32.16.1: Debug support for low-power modes](#).

4.3.6 Programming the RTC alternate functions to wake up the device from the Stop and Standby modes

The MCU can be woken up from a low-power mode by an RTC alternate function.

The RTC alternate functions are the RTC alarms (Alarm A and Alarm B), RTC wakeup, RTC tamper event detection and RTC time stamp event detection.

These RTC alternate functions can wake up the system from the Stop and Standby low-power modes.

The system can also wake up from low-power modes without depending on an external interrupt (Auto-wakeup mode), by using the RTC alarm or the RTC wakeup events.

The RTC provides a programmable time base for waking up from the Stop or Standby mode at regular intervals.

For this purpose, two of the three alternate RTC clock sources can be selected by programming the RTCSEL[1:0] bits in the *RCC Backup domain control register (RCC_BDCR)*:

- Low-power 32.768 kHz external crystal oscillator (LSE OSC)
This clock source provides a precise time base with a very low-power consumption (additional consumption of less than 1 μ A under typical conditions)
- Low-power internal RC oscillator (LSI RC)
This clock source has the advantage of saving the cost of the 32.768 kHz crystal. This internal RC oscillator is designed to use minimum power.

RTC alternate functions to wake up the device from the Stop mode

- To wake up the device from the Stop mode with an RTC alarm event, it is necessary to:
 - a) Configure the EXTI Line 17 to be sensitive to rising edges (Interrupt or Event modes)
 - b) Enable the RTC Alarm Interrupt in the RTC_CR register
 - c) Configure the RTC to generate the RTC alarm
- To wake up the device from the Stop mode with an RTC tamper or time stamp event, it is necessary to:
 - a) Configure the EXTI Line 21 to be sensitive to rising edges (Interrupt or Event modes)
 - b) Enable the RTC time stamp Interrupt in the RTC_CR register or the RTC tamper interrupt in the RTC_TAFCR register
 - c) Configure the RTC to detect the tamper or time stamp event
- To wake up the device from the Stop mode with an RTC wakeup event, it is necessary to:
 - a) Configure the EXTI Line 22 to be sensitive to rising edges (Interrupt or Event modes)
 - b) Enable the RTC wakeup interrupt in the RTC_CR register
 - c) Configure the RTC to generate the RTC Wakeup event

RTC alternate functions to wake up the device from the Standby mode

- To wake up the device from the Standby mode with an RTC alarm event, it is necessary to:
 - a) Enable the RTC alarm interrupt in the RTC_CR register
 - b) Configure the RTC to generate the RTC alarm
- To wake up the device from the Standby mode with an RTC tamper or time stamp event, it is necessary to:
 - a) Enable the RTC time stamp interrupt in the RTC_CR register or the RTC tamper interrupt in the RTC_TAFCR register
 - b) Configure the RTC to detect the tamper or time stamp event
- To wake up the device from the Standby mode with an RTC wakeup event, it is necessary to:
 - a) Enable the RTC wakeup interrupt in the RTC_CR register
 - b) Configure the RTC to generate the RTC wakeup event

Safe RTC alternate function wakeup flag clearing sequence

If the selected RTC alternate function is set before the PWR wakeup flag (WUTF) is cleared, it will not be detected on the next event as detection is made once on the rising edge.

To avoid bouncing on the pins onto which the RTC alternate functions are mapped, and exit correctly from the Stop and Standby modes, it is recommended to follow the sequence below before entering the Standby mode:

- When using RTC alarm to wake up the device from the low-power modes:
 - a) Disable the RTC alarm interrupt (ALRAIE or ALRBIE bits in the RTC_CR register)
 - b) Clear the RTC alarm (ALRAF/ALRBF) flag
 - c) Clear the PWR Wakeup (WUF) flag
 - d) Enable the RTC alarm interrupt
 - e) Re-enter the low-power mode
- When using RTC wakeup to wake up the device from the low-power modes:
 - a) Disable the RTC Wakeup interrupt (WUTIE bit in the RTC_CR register)
 - b) Clear the RTC Wakeup (WUTF) flag
 - c) Clear the PWR Wakeup (WUF) flag
 - d) Enable the RTC Wakeup interrupt
 - e) Re-enter the low-power mode
- When using RTC tamper to wake up the device from the low-power modes:
 - a) Disable the RTC tamper interrupt (TAMPIE bit in the RTC_TAFCR register)
 - b) Clear the Tamper (TAMP1F/TSF) flag
 - c) Clear the PWR Wakeup (WUF) flag
 - d) Enable the RTC tamper interrupt
 - e) Re-enter the low-power mode
- When using RTC time stamp to wake up the device from the low-power modes:
 - a) Disable the RTC time stamp interrupt (TSIE bit in RTC_CR)
 - b) Clear the RTC time stamp (TSF) flag
 - c) Clear the PWR Wakeup (WUF) flag

- d) Enable the RTC TimeStamp interrupt
- e) Re-enter the low-power mode

4.4 Power control registers

The power control registers can be accessed by half-words (16 bits) or words (32 bits).

4.4.1 PWR power control register (PWR_CR)

Address offset: 0x00

Reset value: 0x0000 0000 (reset by wakeup from Standby mode)

31	30	29	28	27	26	25	24	23	22	21	20	19	18	17	16
Reserved															
15	14	13	12	11	10	9	8	7	6	5	4	3	2	1	0
Reserved						FPDS	DBP	PLS[2:0]			PVDE	CSBF	CWUF	PDDS	LPDS
						rw	rw	rw	rw	rw	rw	rc_w1	rc_w1	rw	rw

Bits 31:10 Reserved, always read as 0.

Bit 9 **FPDS**: Flash power down in Stop mode

When set, the flash memory enters power down mode when the device enters Stop mode. This allows to achieve a lower consumption in stop mode but a longer restart time.

- 0: Flash memory not in power down when the device is in Stop mode
- 1: Flash memory in power down when the device is in Stop mode

Bit 8 **DBP**: Disable backup domain write protection

In reset state, the RCC_BDCR register, the RTC registers (including the backup registers), and the BRE bit of the PWR_CSR register, are protected against parasitic write access. This bit must be set to enable write access to these registers.

- 0: Access to RTC and RTC Backup registers and backup SRAM disabled
- 1: Access to RTC and RTC Backup registers and backup SRAM enabled

Bits 7:5 **PLS[2:0]**: PVD level selection

These bits are written by software to select the voltage threshold detected by the PVD

- 000: 2.0 V
- 001: 2.1 V
- 010: 2.3 V
- 011: 2.5 V
- 100: 2.6 V
- 101: 2.7 V
- 110: 2.8 V
- 111: 2.9 V

Note: Refer to the electrical characteristics of the datasheet for more details.

Bit 4 **PVDE**: PVD detector enable

This bit is set and cleared by software.

- 0: PVD disabled
- 1: PVD enabled

- Bit 3 **CSBF**: Clear standby flag
 This bit is always read as 0.
 0: No effect
 1: Clear the SBF Standby Flag (write).
- Bit 2 **CWUF**: Clear wakeup flag
 This bit is always read as 0.
 0: No effect
 1: Clear the WUF Wakeup Flag **after 2 System clock cycles**
- Bit 1 **PDDS**: Power down deepsleep
 This bit is set and cleared by software. It works together with the LPDS bit.
 0: Enter Stop mode when the CPU enters deepsleep. The regulator status depends on the LPDS bit.
 1: Enter Standby mode when the CPU enters deepsleep.
- Bit 0 **LPDS**: Low-power deep sleep
 This bit is set and cleared by software. It works together with the PDDS bit.
 0: Voltage regulator on during Stop mode
 1: Voltage regulator in low-power mode during Stop mode

4.4.2 PWR power control/status register (PWR_CSR)

Address offset: 0x04

Reset value: 0x0000 0000 (not reset by wakeup from Standby mode)

Additional APB cycles are needed to read this register versus a standard APB read.

31	30	29	28	27	26	25	24	23	22	21	20	19	18	17	16		
Reserved																	
Res.																	
15	14	13	12	11	10	9	8	7	6	5	4	3	2	1	0		
Reserved Res.						BRE rw		EWUP rw		Reserved Res.				BRR r	PVDO r	SBF r	WUF r

Bits 31:10 Reserved, always read as 0.

- Bit 9 **BRE**: Backup regulator enable
 When set, the Backup regulator (used to maintain backup SRAM content in Standby and V_{BAT} modes) is enabled. If BRE is reset, the backup regulator is switched off. The backup SRAM can still be used but its content is lost in the Standby and V_{BAT} modes. Once set, the application must wait that the Backup Regulator Ready flag (BRR) is set to indicate that the data written into the RAM are maintained in the Standby and V_{BAT} modes. The DBP bit of PWR_CR register must be set to 1 before PWR_CSR.BRE can be written.
 0: Backup regulator disabled
 1: Backup regulator enabled
Note: This bit is not reset when the device wakes up from Standby mode, by a system reset, or by a power reset.

Bit 8 **EWUP**: Enable WKUP pin

This bit is set and cleared by software.

0: WKUP pin is used for general purpose I/O. An event on the WKUP pin does not wakeup the device from Standby mode.

1: WKUP pin is used for wakeup from Standby mode and forced in input pull down configuration (rising edge on WKUP pin wakes-up the system from Standby mode).

Note: This bit is reset by a system reset.

Bits 7:4 Reserved, always read as 0.

Bit 3 **BRR**: Backup regulator ready

Set by hardware to indicate that the Backup Regulator is ready.

0: Backup Regulator not ready

1: Backup Regulator ready

Note: This bit is not reset when the device wakes up from Standby mode or by a system reset or power reset.

Bit 2 **PVDO**: PVD output

This bit is set and cleared by hardware. It is valid only if PVD is enabled by the PVDE bit.

0: V_{DD}/V_{DDA} is higher than the PVD threshold selected with the PLS[2:0] bits.

1: V_{DD}/V_{DDA} is lower than the PVD threshold selected with the PLS[2:0] bits.

Note: The PVD is stopped by Standby mode. For this reason, this bit is equal to 0 after Standby or reset until the PVDE bit is set.

Bit 1 **SBF**: Standby flag

This bit is set by hardware and cleared only by a POR/PDR (power-on reset/power-down reset) or by setting the CSBF bit in the [PWR power control register \(PWR_CR\)](#).

0: Device has not been in Standby mode

1: Device has been in Standby mode

Bit 0 **WUF**: Wakeup flag

This bit is set by hardware and cleared by a system reset or by setting the CWUF bit in the PWR_CR register.

0: No wakeup event occurred

1: A wakeup event was received from the WKUP pin or from the RTC alarm (Alarm A or Alarm B), RTC Tamper event, RTC TimeStamp event or RTC Wakeup).

Note: An additional wakeup event is detected if the WKUP pin is enabled (by setting the EWUP bit) when the WKUP pin level is already high.

4.4.3 PWR register map

The following table summarizes the PWR registers.

Table 12. PWR - register map and reset values

Offset	Register	31	30	29	28	27	26	25	24	23	22	21	20	19	18	17	16	15	14	13	12	11	10	9	8	7	6	5	4	3	2	1	0															
0x000	PWR_CR	Reserved																						FPDS	DBP	PLS [2:0]		PVDE		CSBF	CWUF	PDDS	LPDS															
	Reset value																							0	0	0	0	0	0	0	0	0	0															
0x004	PWR_CSR	Reserved																						BRE	EWUP	Reserved		BRR	PVDO	SBF	WUF																	
	Reset value																							0	0			0	0	0	0																	

Refer to [Section 2.3 on page 51](#) for the register boundary addresses.

5 Reset and clock control (RCC)

5.1 Reset

There are three types of reset, defined as system Reset, power Reset and backup domain Reset.

5.1.1 System reset

A system reset sets all registers to their reset values except the reset flags in the clock controller CSR register and the registers in the Backup domain (see [Figure 8](#)).

A system reset sets all registers to their reset values unless specified otherwise in the register description

A system reset is generated when one of the following events occurs:

1. A low level on the NRST pin (external reset)
2. Window watchdog end of count condition (WWDG reset)
3. Independent watchdog end of count condition (IWDG reset)
4. A software reset (SW reset) (see [Software reset](#))
5. Low-power management reset (see [Low-power management reset](#))

Software reset

The reset source can be identified by checking the reset flags in the [RCC clock control & status register \(RCC_CSR\)](#).

The SYSRESETREQ bit in Cortex[®]-M3 Application Interrupt and Reset Control Register must be set to force a software reset on the device. Refer to the Cortex[™]-M3 technical reference manual for more details.

Low-power management reset

There are two ways of generating a low-power management reset:

1. Reset generated when entering the Standby mode:
This type of reset is enabled by resetting the nRST_STDBY bit in the user option bytes. In this case, whenever a Standby mode entry sequence is successfully executed, the device is reset instead of entering the Standby mode.
2. Reset when entering the Stop mode:
This type of reset is enabled by resetting the nRST_STOP bit in the user option bytes. In this case, whenever a Stop mode entry sequence is successfully executed, the device is reset instead of entering the Stop mode.

For further information on the user option bytes, refer to the STM32F20x and STM32F21x Flash programming manual available from your ST sales office.

5.1.2 Power reset

A power reset is generated when one of the following events occurs:

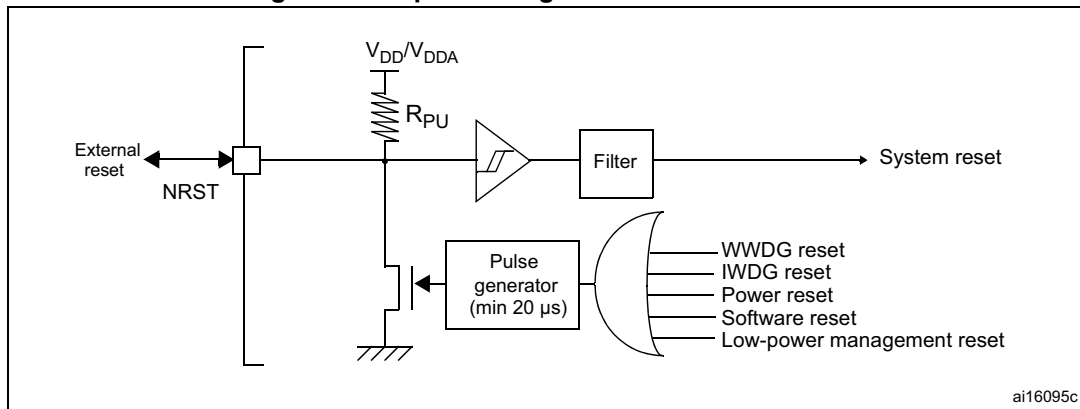
1. Power-on/power-down reset (POR/PDR reset) or brownout (BOR) reset
2. When exiting the Standby mode

A power reset sets all registers to their reset values except the Backup domain (see [Figure 8](#))

These sources act on the NRST pin and it is always kept low during the delay phase. The RESET service routine vector is fixed at address 0x0000_0004 in the memory map. For more details, refer to [Table 20: Vector table](#).

The system reset signal provided to the device is output on the NRST pin. The pulse generator guarantees a minimum reset pulse duration of 20 μs for each internal reset source (external or internal reset). In case of an external reset, the reset pulse is generated while the NRST pin is asserted low.

Figure 8. Simplified diagram of the reset circuit



The Backup domain has two specific resets that affect only the Backup domain (see [Figure 8](#)).

5.1.3 Backup domain reset

The backup domain reset sets all RTC registers, the RCC_BDCR register and the BRE bit of PWR_CSR register to their reset values. The BKPSRAM is not affected by this reset. The only way of resetting the BKPSRAM is through the Flash interface, by requesting a protection level change from 1 to 0.

Note: Bit DBP of PWR_CR register must be set to 1 to generate the backup domain reset.

A backup domain reset is generated when one of the following events occurs:

1. Software reset, triggered by setting the BDRST bit in the [RCC Backup domain control register \(RCC_BDCR\)](#).
2. V_{DD} or V_{BAT} power on, if both supplies have previously been powered off.

5.2 Clocks

Three different clock sources can be used to drive the system clock (SYSCLK):

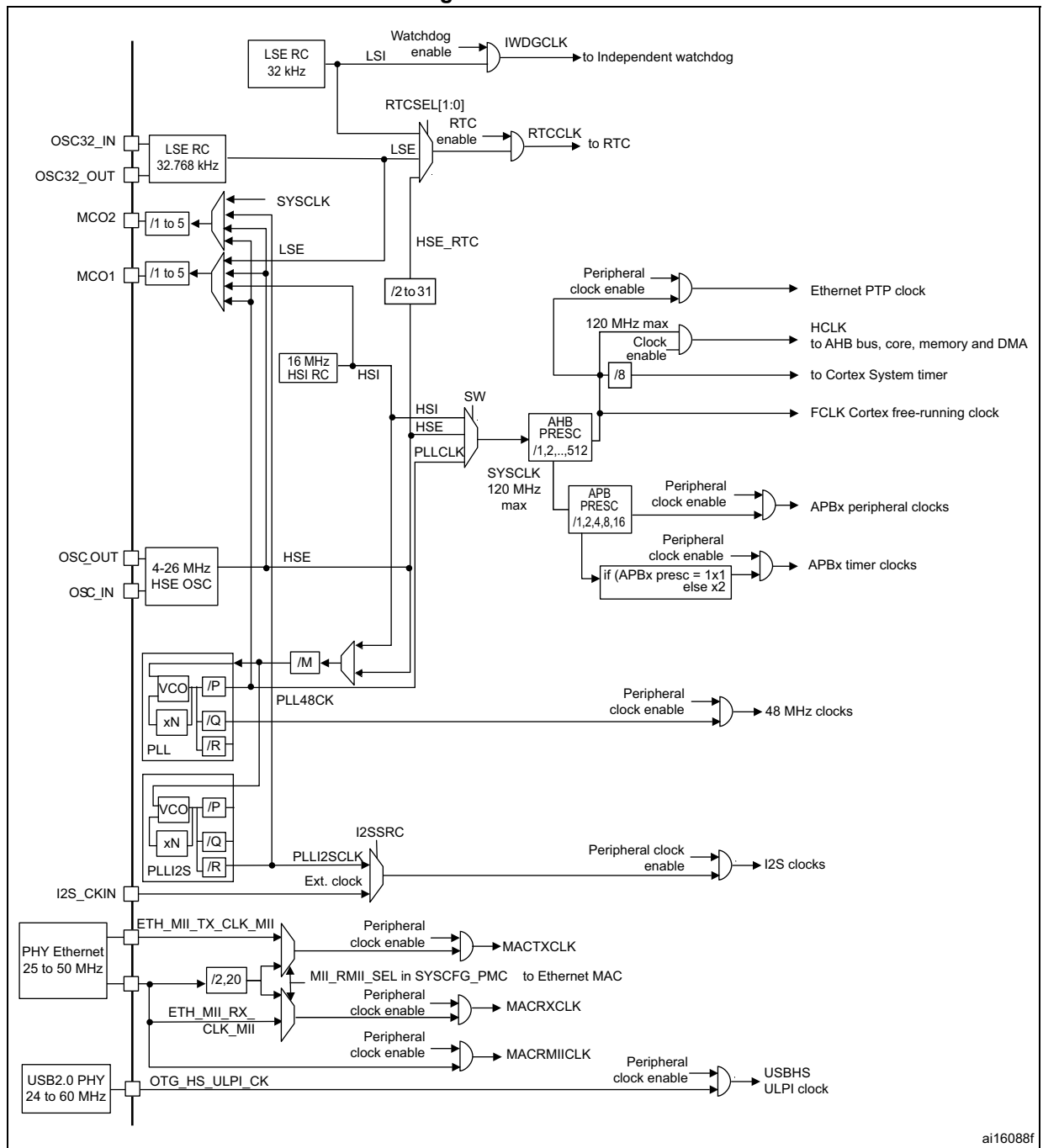
- HSI oscillator clock
- HSE oscillator clock
- Main PLL (PLL) clock

The devices have the two following secondary clock sources:

- 32 kHz low-speed internal RC (LSI RC) which drives the independent watchdog and, optionally, the RTC used for Auto-wakeup from the Stop/Standby mode.
- 32.768 kHz low-speed external crystal (LSE crystal) which optionally drives the RTC clock (RTCCLK)

Each clock source can be switched on or off independently when it is not used, to optimize power consumption.

Figure 9. Clock tree



ai16088f

1. For full details about the internal and external clock source characteristics, refer to the Electrical characteristics section in the device datasheet

The clock controller provides a high degree of flexibility to the application in the choice of the external crystal or the oscillator to run the core and peripherals at the highest frequency and, guarantee the appropriate frequency for peripherals that need a specific clock like Ethernet, USB OTG FS and HS, I2S and SDIO.

Several prescalers are used to configure the AHB frequency, the high-speed APB (APB2), and the low-speed APB (APB1) domains. The maximum frequency of the AHB domain is

120 MHz. The maximum allowed frequency of the high-speed APB2 domain is 60 MHz. The maximum allowed frequency of the low-speed APB1 domain is 30 MHz

All peripheral clocks are derived from the system clock (SYSCLK) except for:

- The USB OTG FS clock (48 MHz), the random analog generator (RNG) clock (≤ 48 MHz) and the SDIO clock (≤ 48 MHz) which are coming from a specific output of PLL (PLL48CLK)
- The I2S clock
To achieve high-quality audio performance, the I2S clock can be derived either from a specific PLL (PLL12S) or from an external clock mapped on the I2S_CKIN pin. For more information about I2S clock frequency and precision, refer to [Section 25.4.3: Clock generator](#).
- The USB OTG HS (60 MHz) clock which is provided from the external PHY
- The Ethernet MAC clocks (TX, RX and RMII) which are provided from the external PHY. For further information on the Ethernet configuration, refer to [Section 28.4.4: MII/RMII selection](#) in the Ethernet peripheral description. When the Ethernet is used, the AHB clock frequency must be at least 25 MHz.

The RCC feeds the external clock of the Cortex System Timer (SysTick) with the AHB clock (HCLK) divided by 8. The SysTick can work either with this clock or with the Cortex clock (HCLK), configurable in the SysTick control and status register.

The timer clock frequencies are automatically set by hardware. There are two cases:

1. If the APB prescaler is 1, the timer clock frequencies are set to the same frequency as that of the APB domain to which the timers are connected.
2. Otherwise, they are set to twice ($\times 2$) the frequency of the APB domain to which the timers are connected.

FCLK acts as Cortex™-M3 free-running clock. For more details, refer to the Cortex™-M3 technical reference manual.

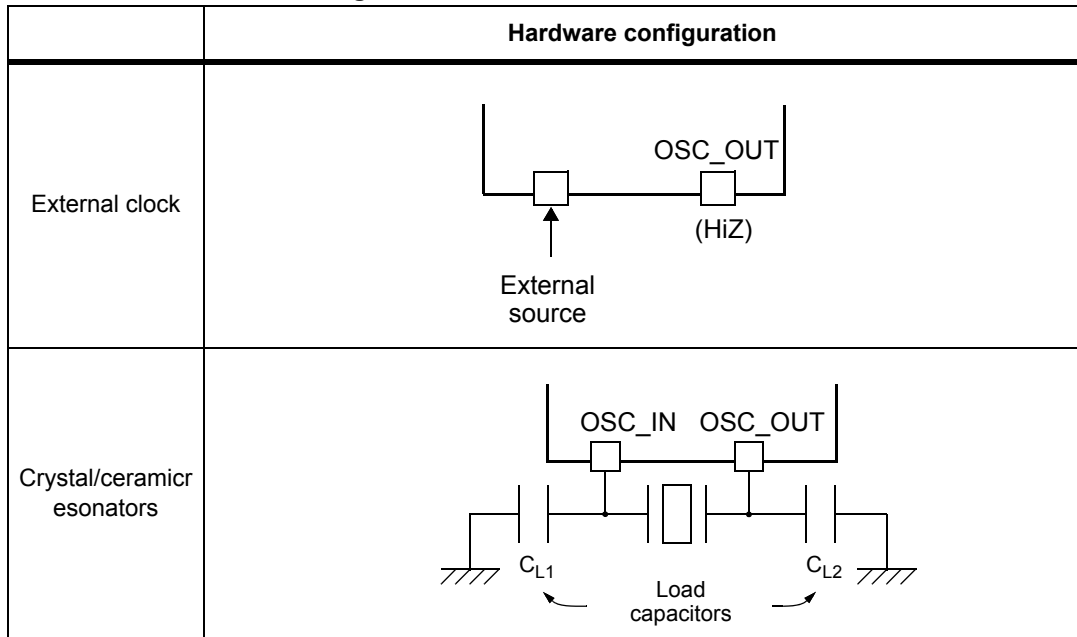
5.2.1 HSE clock

The high speed external clock signal (HSE) can be generated from two possible clock sources:

- HSE external crystal/ceramic resonator
- HSE external user clock

The resonator and the load capacitors have to be placed as close as possible to the oscillator pins in order to minimize output distortion and startup stabilization time. The loading capacitance values must be adjusted according to the selected oscillator.

Figure 10. HSE/LSE clock sources



External source (HSE bypass)

In this mode, an external clock source must be provided. You select this mode by setting the HSEBYP and HSEON bits in the *RCC clock control register (RCC_CR)*. The external clock signal (square, sinus or triangle) with ~50% duty cycle has to drive the OSC_IN pin while the OSC_OUT pin should be left hi-Z. See *Figure 10*.

External crystal/ceramic resonator (HSE crystal)

The HSE has the advantage of producing a very accurate rate on the main clock.

The associated hardware configuration is shown in *Figure 10*. Refer to the electrical characteristics section of the *datasheet* for more details.

The HSERDY flag in the *RCC clock control register (RCC_CR)* indicates if the high-speed external oscillator is stable or not. At startup, the clock is not released until this bit is set by hardware. An interrupt can be generated if enabled in the *RCC clock interrupt register (RCC_CIR)*.

The HSE Crystal can be switched on and off using the HSEON bit in the *RCC clock control register (RCC_CR)*.

5.2.2 HSI clock

The HSI clock signal is generated from an internal 16 MHz RC oscillator and can be used directly as a system clock, or used as PLL input.

The HSI RC oscillator has the advantage of providing a clock source at low cost (no external components). It also has a faster startup time than the HSE crystal oscillator however, even with calibration the frequency is less accurate than an external crystal oscillator or ceramic resonator.

Calibration

RC oscillator frequencies can vary from one chip to another due to manufacturing process variations, this is why each device is factory calibrated by ST for 1% accuracy at $T_A = 25\text{ }^\circ\text{C}$.

After reset, the factory calibration value is loaded in the HSICAL[7:0] bits in the [RCC clock control register \(RCC_CR\)](#).

If the application is subject to voltage or temperature variations this may affect the RC oscillator speed. You can trim the HSI frequency in the application using the HSITRIM[4:0] bits in the [RCC clock control register \(RCC_CR\)](#).

The HSIRDY flag in the [RCC clock control register \(RCC_CR\)](#) indicates if the HSI RC is stable or not. At startup, the HSI RC output clock is not released until this bit is set by hardware.

The HSI RC can be switched on and off using the HSION bit in the [RCC clock control register \(RCC_CR\)](#).

The HSI signal can also be used as a backup source (auxiliary clock) if the HSE crystal oscillator fails. Refer to [Section 5.2.7](#).

5.2.3 PLL configuration

The STM32F2xx devices feature two PLLs:

- A main PLL (PLL) clocked by the HSE or HSI oscillator and featuring two different output clocks:
 - The first output is used to generate the high speed system clock (up to 120 MHz)
 - The second output is used to generate the clock for the USB OTG FS (48 MHz), the random analog generator (≤ 48 MHz) and the SDIO (≤ 48 MHz).
- A dedicated PLL (PLLI2S) used to generate an accurate clock to achieve high-quality audio performance on the I2S interface.

Since the main-PLL configuration parameters cannot be changed once PLL is enabled, it is recommended to configure PLL before enabling it (selection of the HSI or HSE oscillator as PLL clock source, and configuration of division factors M, N, P, and Q).

The PLLI2S uses the same input clock as PLL (PLLM[5:0] and PLLSRC bits are common to both PLLs). However, the PLLI2S has dedicated enable/disable and division factors (N and R) configuration bits. Once the PLLI2S is enabled, the configuration parameters cannot be changed.

The two PLLs are disabled by hardware when entering Stop and Standby modes, or when an HSE failure occurs when HSE or PLL (clocked by HSE) are used as system clock. [RCC PLL configuration register \(RCC_PLLCFGR\)](#) and [RCC clock configuration register \(RCC_CFGR\)](#) can be used to configure PLL and PLLI2S, respectively.

5.2.4 LSE clock

The LSE crystal is a 32.768 kHz low-speed external (LSE) crystal or ceramic resonator. It has the advantage providing a low-power but highly accurate clock source to the real-time clock peripheral (RTC) for clock/calendar or other timing functions.

The LSE crystal is switched on and off using the LSEON bit in [RCC Backup domain control register \(RCC_BDCR\)](#).

The LSE RDY flag in the *RCC Backup domain control register (RCC_BDCR)* indicates if the LSE crystal is stable or not. At startup, the LSE crystal output clock signal is not released until this bit is set by hardware. An interrupt can be generated if enabled in the *RCC clock interrupt register (RCC_CIR)*.

External source (LSE bypass)

In this mode, an external clock source must be provided. It must have a frequency up to 1 MHz. You select this mode by setting the LSEBYP and LSEON bits in the *RCC Backup domain control register (RCC_BDCR)*. The external clock signal (square, sinus or triangle) with ~50% duty cycle has to drive the OSC32_IN pin while the OSC32_OUT pin should be left Hi-Z. See *Figure 10*.

5.2.5 LSI clock

The LSI RC acts as a low-power clock source that can be kept running in Stop and Standby mode for the independent watchdog (IWDG) and Auto-wakeup unit (AWU). The clock frequency is around 32 kHz. For more details, refer to the electrical characteristics section of the datasheets.

The LSI RC can be switched on and off using the LSION bit in the *RCC clock control & status register (RCC_CSR)*.

The LSIRDY flag in the *RCC clock control & status register (RCC_CSR)* indicates if the low-speed internal oscillator is stable or not. At startup, the clock is not released until this bit is set by hardware. An interrupt can be generated if enabled in the *RCC clock interrupt register (RCC_CIR)*.

5.2.6 System clock (SYSCLK) selection

After a system reset, the HSI oscillator is selected as the system clock. When a clock source is used directly or through PLL as the system clock, it is not possible to stop it.

A switch from one clock source to another occurs only if the target clock source is ready (clock stable after startup delay or PLL locked). If a clock source that is not yet ready is selected, the switch occurs when the clock source is ready. Status bits in the *RCC clock control register (RCC_CR)* indicate which clock(s) is (are) ready and which clock is currently used as the system clock.

5.2.7 Clock security system (CSS)

The clock security system can be activated by software. In this case, the clock detector is enabled after the HSE oscillator startup delay, and disabled when this oscillator is stopped.

If a failure is detected on the HSE clock, this oscillator is automatically disabled, a clock failure event is sent to the break inputs of advanced-control timers TIM1 and TIM8, and an interrupt is generated to inform the software about the failure (clock security system interrupt CSSI), allowing the MCU to perform rescue operations. The CSSI is linked to the Cortex™-M3 NMI (non-maskable interrupt) exception vector.

Note: When the CSS is enabled, if the HSE clock happens to fail, the CSS generates an interrupt, which causes the automatic generation of an NMI. The NMI is executed indefinitely unless the CSS interrupt pending bit is cleared. As a consequence, the application has to clear the CSS interrupt in the NMI ISR by setting the CSSC bit in the Clock interrupt register (RCC_CIR).

If the HSE oscillator is used directly or indirectly as the system clock (indirectly meaning that it is directly used as PLL input clock, and that PLL clock is the system clock) and a failure is detected, then the system clock switches to the HSI oscillator and the HSE oscillator is disabled.

If the HSE oscillator clock was the clock source of PLL used as the system clock when the failure occurred, PLL is also disabled. In this case, if the PLLI2S was enabled, it is also disabled when the HSE fails.

5.2.8 RTC/AWU clock

Once the RTCCLK clock source has been selected, the only possible way of modifying the selection is to reset the power domain.

The RTCCLK clock source can be either the HSE 1 MHz (HSE divided by a programmable prescaler), the LSE or the LSI clock. This is selected by programming the RTCSEL[1:0] bits in the *RCC Backup domain control register (RCC_BDCR)* and the RTCPRE[4:0] bits in *RCC clock configuration register (RCC_CFGR)*. This selection cannot be modified without resetting the Backup domain.

If the LSE is selected as the RTC clock, the RTC will work normally if the backup or the system supply disappears. If the LSI is selected as the AWU clock, the AWU state is not guaranteed if the system supply disappears. If the HSE oscillator divided by a value between 2 and 31 is used as the RTC clock, the RTC state is not guaranteed if the backup or the system supply disappears.

The LSE clock is in the Backup domain, whereas the HSE and LSI clocks are not. As a consequence:

- If LSE is selected as the RTC clock:
 - The RTC continues to work even if the V_{DD} supply is switched off, provided the V_{BAT} supply is maintained.
- If LSI is selected as the Auto-wakeup unit (AWU) clock:
 - The AWU state is not guaranteed if the V_{DD} supply is powered off. Refer to [Section 5.2.5: LSI clock on page 91](#) for more details on LSI calibration.
- If the HSE clock is used as the RTC clock:
 - The RTC state is not guaranteed if the V_{DD} supply is powered off or if the internal voltage regulator is powered off (removing power from the 1.2 V domain).

Note: To read the RTC calendar register when the APB1 clock frequency is less than seven times the RTC clock frequency ($f_{APB1} < 7 \times f_{RTCLK}$), the software must read the calendar time and date registers twice. The data are correct if the second read access to RTC_TR gives the same result than the first one. Otherwise a third read access must be performed.

5.2.9 Watchdog clock

If the independent watchdog (IWDG) is started by either hardware option or software access, the LSI oscillator is forced ON and cannot be disabled. After the LSI oscillator temporization, the clock is provided to the IWDG.

5.2.10 Clock-out capability

Two microcontroller clock output (MCO) pins are available:

- MCO1

You can output four different clock sources onto the MCO1 pin (PA8) using the configurable prescaler (from 1 to 5):

- HSI clock
- LSE clock
- HSE clock
- PLL clock

The desired clock source is selected using the MCO1PRE[2:0] and MCO1[1:0] bits in the [RCC clock configuration register \(RCC_CFGR\)](#).

- MCO2

You can output four different clock sources onto the MCO2 pin (PC9) using the configurable prescaler (from 1 to 5):

- HSE clock
- PLL clock
- System clock (SYSCLK)
- PLLI2S clock

The desired clock source is selected using the MCO2PRE[2:0] and MCO2 bits in the [RCC clock configuration register \(RCC_CFGR\)](#).

For the different MCO pins, the corresponding GPIO port has to be programmed in alternate function mode.

The selected clock to output onto MCO must not exceed 100 MHz (the maximum I/O speed).

5.2.11 Internal/external clock measurement using TIM5/TIM11

It is possible to indirectly measure the frequencies of all on-board clock source generators by means of the input capture of TIM5 channel4 and TIM11 channel1 as shown in [Figure 11](#) and [Figure 11](#).

Internal/external clock measurement using TIM5 channel4

TIM5 has an input multiplexer which allows choosing whether the input capture is triggered by the I/O or by an internal clock. This selection is performed through the TI4_RMP [1:0] bits in the TIM5_OR register.

The primary purpose of having the LSE connected to the channel4 input capture is to be able to precisely measure the HSI (this requires to have the HSI used as the system clock source). The number of HSI clock counts between consecutive edges of the LSE signal provides a measurement of the internal clock period. Taking advantage of the high precision of LSE crystals (typically a few tens of ppm) we can determine the internal clock frequency with the same resolution, and trim the source to compensate for manufacturing-process and/or temperature- and voltage-related frequency deviations.

The HSI oscillator has dedicated, user-accessible calibration bits for this purpose.

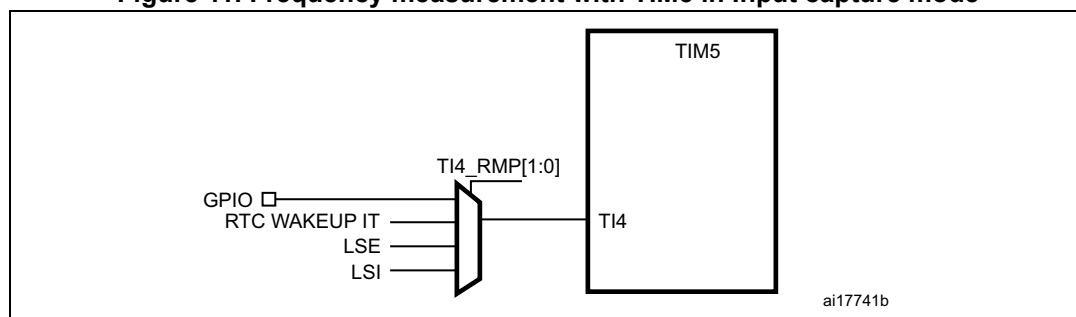
The basic concept consists in providing a relative measurement (e.g. HSI/LSE ratio): the precision is therefore tightly linked to the ratio between the two clock sources. The greater the ratio, the better the measurement.

It is also possible to measure the LSI frequency: this is useful for applications that do not have a crystal. The ultralow-power LSI oscillator has a large manufacturing process deviation: by measuring it versus the HSI clock source, it is possible to determine its frequency with the precision of the HSI. The measured value can be used to have more accurate RTC time base timeouts (when LSI is used as the RTC clock source) and/or an IWDG timeout with an acceptable accuracy.

Use the following procedure to measure the LSI frequency:

1. Enable the TIM5 timer and configure channel4 in Input capture mode.
2. Set the TI4_RMP bits in the TIM5_OR register to 0x01 to connect the LSI clock internally to TIM5 channel4 input capture for calibration purposes.
3. Measure the LSI clock frequency using the TIM5 capture/compare 4 event or interrupt.
4. Use the measured LSI frequency to update the prescaler of the RTC depending on the desired time base and/or to compute the IWDG timeout.

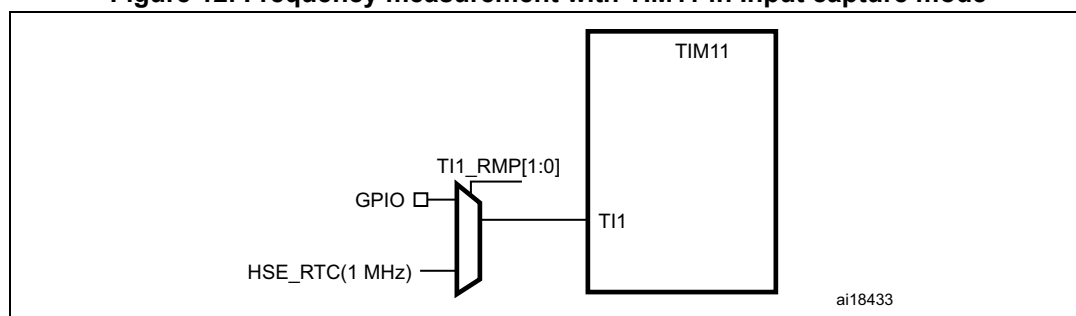
Figure 11. Frequency measurement with TIM5 in Input capture mode



Internal/external clock measurement using TIM11 channel1

TIM11 has an input multiplexer which allows choosing whether the input capture is triggered by the I/O or by an internal clock. This selection is performed through TI1_RMP [1:0] bits in the TIM11_OR register. The HSE_RTC clock (HSE divided by a programmable prescaler) is connected to channel 1 input capture to have a rough indication of the external crystal frequency. This requires that the HSI is the system clock source. This can be useful for instance to ensure compliance with the IEC 60730/IEC 61335 standards which require to be able to determine harmonic or subharmonic frequencies (–50/+100% deviations).

Figure 12. Frequency measurement with TIM11 in Input capture mode



5.3 RCC registers

The RCC registers can be accessed by bytes (8 bits), half-words (16 bits) or words (32 bits). Refer to [Section 1.2 on page 46](#) for a list of abbreviations used in register descriptions.

5.3.1 RCC clock control register (RCC_CR)

Address offset: 0x00

Reset value: 0x0000 XX83 where X is undefined.

Access: no wait state, word, half-word and byte access

31	30	29	28	27	26	25	24	23	22	21	20	19	18	17	16
Reserved				PLLI2S RDY	PLLI2S SON	PLLRDY	PLLO N	Reserved				CSS ON	HSE BYP	HSE RDY	HSE ON
				r	rw	r	rw					rw	rw	r	rw
15	14	13	12	11	10	9	8	7	6	5	4	3	2	1	0
HSICAL[7:0]								HSITRIM[4:0]					Res.	HSI RDY	HSIO N
r	r	r	r	r	r	r	r	rw	rw	rw	rw	rw		r	rw

Bits 31:28 Reserved, always read as 0.

Bit 27 **PLLI2SRDY**: PLLI2S clock ready flag
 Set by hardware to indicate that the PLLI2S is locked.
 0: PLLI2S unlocked
 1: PLLI2S locked

Bit 26 **PLLI2SON**: PLLI2S enable
 Set and cleared by software to enable PLLI2S.
 Cleared by hardware when entering Stop or Standby mode.
 0: PLLI2S OFF
 1: PLLI2S ON

Bit 25 **PLLRDY**: Main PLL (PLL) clock ready flag
 Set by hardware to indicate that PLL is locked.
 0: PLL unlocked
 1: PLL locked

Bit 24 **PLLON**: Main PLL (PLL) enable
 Set and cleared by software to enable PLL.
 Cleared by hardware when entering Stop or Standby mode. This bit cannot be reset if PLL clock is used as the system clock.
 0: PLL OFF
 1: PLL ON

Bits 23:20 Reserved, always read as 0.

Bit 19 **CSSON**: Clock security system enable
 Set and cleared by software to enable the clock security system. When CSSON is set, the clock detector is enabled by hardware when the HSE oscillator is ready, and disabled by hardware if an oscillator failure is detected.
 0: Clock security system OFF (Clock detector OFF)
 1: Clock security system ON (Clock detector ON if HSE oscillator is stable, OFF if not)

- Bit 18 **HSEBYP**: HSE clock bypass
 Set and cleared by software to bypass the oscillator with an external clock. The external clock must be enabled with the HSEON bit, to be used by the device.
 The HSEBYP bit can be written only if the HSE oscillator is disabled.
 0: HSE oscillator not bypassed
 1: HSE oscillator bypassed with an external clock
- Bit 17 **HSERDY**: HSE clock ready flag
 Set by hardware to indicate that the HSE oscillator is stable. After the HSEON bit is cleared, HSERDY goes low after 6 HSE oscillator clock cycles.
 0: HSE oscillator not ready
 1: HSE oscillator ready
- Bit 16 **HSEON**: HSE clock enable
 Set and cleared by software.
 Cleared by hardware to stop the HSE oscillator when entering Stop or Standby mode. This bit cannot be reset if the HSE oscillator is used directly or indirectly as the system clock.
 0: HSE oscillator OFF
 1: HSE oscillator ON
- Bits 15:8 **HSICAL[7:0]**: Internal high-speed clock calibration
 These bits are initialized automatically at startup.
- Bits 7:3 **HSITRIM[4:0]**: Internal high-speed clock trimming
 These bits provide an additional user-programmable trimming value that is added to the HSICAL[7:0] bits. It can be programmed to adjust to variations in voltage and temperature that influence the frequency of the internal HSI RC.
 The default value is 16, which, when added to the HSICAL value, should trim the HSI to 16 MHz \pm 1%. The typical trimming step ($F_{HSITRIM}$) between two consecutive HSICAL steps is around 80 kHz.
- Bit 2 Reserved, always read as 0.
- Bit 1 **HSIRDY**: Internal high-speed clock ready flag
 Set by hardware to indicate that the HSI oscillator is stable. After the HSION bit is cleared, HSIRDY goes low after 6 HSI clock cycles.
 0: HSI oscillator not ready
 1: HSI oscillator ready
- Bit 0 **HSION**: Internal high-speed clock enable
 Set and cleared by software.
 Set by hardware to force the HSI oscillator ON when leaving the Stop or Standby mode or in case of a failure of the HSE oscillator used directly or indirectly as the system clock. This bit cannot be cleared if the HSI is used directly or indirectly as the system clock.
 0: HSI oscillator OFF
 1: HSI oscillator ON

5.3.2 RCC PLL configuration register (RCC_PLLCFGR)

Address offset: 0x04

Reset value: 0x24003010

Access: no wait state, word, half-word and byte access.

This register is used to configure the PLL clock outputs according to the formulas:

- $f_{(VCO\ clock)} = f_{(PLL\ clock\ input)} \times (PLL_N / PLL_M)$

- $f_{(PLL \text{ general clock output})} = f_{(VCO \text{ clock})} / PLLP$
- $f_{(USB \text{ OTG FS, SDIO, RNG clock output})} = f_{(VCO \text{ clock})} / PLLQ$

31	30	29	28	27	26	25	24	23	22	21	20	19	18	17	16
Reserved				PLLQ3	PLLQ2	PLLQ1	PLLQ0	Reserved	PLLSRC	Reserved				PLLP1	PLLP0
				rw	rw	rw	rw		rw					rw	rw
15	14	13	12	11	10	9	8	7	6	5	4	3	2	1	0
Reserved	PLLN8	PLLN7	PLLN6	PLLN5	PLLN4	PLLN3	PLLN2	PLLN1	PLLN0	PLLM5	PLLM4	PLLM3	PLLM2	PLLM1	PLLM0
	rw	rw	rw	rw	rw	rw	rw	rw	rw	rw	rw	rw	rw	rw	rw

Bit 31:28 Reserved, must be kept at reset value.

Bits 27:24 **PLLQ**: Main PLL (PLL) division factor for USB OTG FS, SDIO and random number generator clocks

Set and cleared by software to control the frequency of USB OTG FS clock, the random number generator clock and the SDIO clock. These bits should be written only if PLL is disabled.

Caution: The USB OTG FS requires a 48 MHz clock to work correctly. The SDIO and the random number generator need a frequency lower than or equal to 48 MHz to work correctly.

USB OTG FS clock frequency = VCO frequency / PLLQ with $2 \leq PLLQ \leq 15$

0000: PLLQ = 0, wrong configuration

0001: PLLQ = 1, wrong configuration

0010: PLLQ = 2

0011: PLLQ = 3

0100: PLLQ = 4

...

1111: PLLQ = 15

Bit 23 Reserved, always read as 0.

Bit 22 **PLLSRC**: Main PLL(PLL) and audio PLL (PLLI2S) entry clock source

Set and cleared by software to select PLL and PLLI2S clock source. This bit can be written only when PLL and PLLI2S are disabled.

0: HSI clock selected as PLL and PLLI2S clock entry

1: HSE oscillator clock selected as PLL and PLLI2S clock entry

Bits 21:18 Reserved, always read as 0.

Bits 17:16 **PLLP**: Main PLL (PLL) division factor for main system clock

Set and cleared by software to control the frequency of the general PLL output clock. These bits can be written only if PLL is disabled.

Caution: The software has to set these bits correctly not to exceed 120 MHz on this domain.

PLL output clock frequency = VCO frequency / PLLP with PLLP = 2, 4, 6, or 8

00: PLLP = 2

01: PLLP = 4

10: PLLP = 6

11: PLLP = 8

Bits 14:6 **PLLN**: Main PLL (PLL) multiplication factor for VCO

Set and cleared by software to control the multiplication factor of the VCO. These bits can be written only when PLL is disabled. Only half-word and word accesses are allowed to write these bits.

Caution: The software has to set these bits correctly to ensure that the VCO output frequency is between 192 and 432 MHz.

$$\text{VCO output frequency} = \text{VCO input frequency} \times \text{PLLN with } 192 \leq \text{PLLN} \leq 432$$

000000000: PLLN = 0, wrong configuration

000000001: PLLN = 1, wrong configuration

...

011000000: PLLN = 192

011000001: PLLN = 193

011000010: PLLN = 194

...

110110000: PLLN = 432

110110001: PLLN = 433, wrong configuration

...

111111111: PLLN = 511, wrong configuration

Bits 5:0 **PLLM**: Division factor for the main PLL (PLL) and audio PLL (PLLI2S) input clock

Set and cleared by software to divide the PLL and PLLI2S input clock before the VCO. These bits can be written only when the PLL and PLLI2S are disabled.

Caution: The software has to set these bits correctly to ensure that the VCO input frequency ranges from 1 to 2 MHz. It is recommended to select a frequency of 2 MHz to limit PLL jitter.

$$\text{VCO input frequency} = \text{PLL input clock frequency} / \text{PLLM with } 2 \leq \text{PLLM} \leq 63$$

000000: PLLM = 0, wrong configuration

000001: PLLM = 1, wrong configuration

000010: PLLM = 2

000011: PLLM = 3

000100: PLLM = 4

...

111110: PLLM = 62

111111: PLLM = 63

5.3.3 RCC clock configuration register (RCC_CFGR)

Address offset: 0x08

Reset value: 0x0000 0000

Access: $0 \leq \text{wait state} \leq 2$, word, half-word and byte access

1 or 2 wait states inserted only if the access occurs during a clock source switch.

31	30	29	28	27	26	25	24	23	22	21	20	19	18	17	16
MCO2		MCO2 PRE[2:0]			MCO1 PRE[2:0]			I2SSC R	MCO1		RTCPRE[4:0]				
rw		rw	rw	rw	rw	rw	rw	rw	rw		rw	rw	rw	rw	rw
15	14	13	12	11	10	9	8	7	6	5	4	3	2	1	0
PPRE2[2:0]			PPRE1[2:0]			Reserved		HPRE[3:0]				SWS1	SWS0	SW1	SW0
rw	rw	rw	rw	rw	rw			rw	rw	rw	rw	r	r	rw	rw

- Bits 31:30 **MCO2[1:0]**: Microcontroller clock output 2
Set and cleared by software. Clock source selection may generate glitches on MCO2. It is highly recommended to configure these bits only after reset before enabling the external oscillators and the PLLs.
00: System clock (SYSCLK) selected
01: PLLI2S clock selected
10: HSE oscillator clock selected
11: PLL clock selected
- Bits 27:29 **MCO2PRE**: MCO2 prescaler
Set and cleared by software to configure the prescaler of the MCO2. Modification of this prescaler may generate glitches on MCO2. It is highly recommended to change this prescaler only after reset before enabling the external oscillators and the PLLs.
0xx: no division
100: division by 2
101: division by 3
110: division by 4
111: division by 5
- Bits 24:26 **MCO1PRE**: MCO1 prescaler
Set and cleared by software to configure the prescaler of the MCO1. Modification of this prescaler may generate glitches on MCO1. It is highly recommended to change this prescaler only after reset before enabling the external oscillators and the PLL.
0xx: no division
100: division by 2
101: division by 3
110: division by 4
111: division by 5
- Bit 23 **I2SSRC**: I2S clock selection
Set and cleared by software. This bit allows to select the I2S clock source between the PLLI2S clock and the external clock. It is highly recommended to change this bit only after reset and before enabling the I2S module.
0: PLLI2S clock used as I2S clock source
1: External clock mapped on the I2S_CKIN pin used as I2S clock source
- Bits 22:21 **MCO1**: Microcontroller clock output 1
Set and cleared by software. Clock source selection may generate glitches on MCO1. It is highly recommended to configure these bits only after reset before enabling the external oscillators and PLL.
00: HSI clock selected
01: LSE oscillator selected
10: HSE oscillator clock selected
11: PLL clock selected

Bits 20:16 **RTCPRE**: HSE division factor for RTC clock

Set and cleared by software to divide the HSE clock input clock to generate a 1 MHz clock for RTC.

Caution: The software has to set these bits correctly to ensure that the clock supplied to the RTC is 1 MHz. These bits must be configured if needed before selecting the RTC clock source.

00000: no clock

00001: no clock

00010: HSE/2

00011: HSE/3

00100: HSE/4

...

11110: HSE/30

11111: HSE/31

Bits 15:13 **PPRE2**: APB high-speed prescaler (APB2)

Set and cleared by software to control APB high-speed clock division factor.

Caution: The software has to set these bits correctly not to exceed 60 MHz on this domain. The clocks are divided with the new prescaler factor from 1 to 16 AHB cycles after PPRE2 write.

0xx: AHB clock not divided

100: AHB clock divided by 2

101: AHB clock divided by 4

110: AHB clock divided by 8

111: AHB clock divided by 16

Bits 12:10 **PPRE1**: APB Low speed prescaler (APB1)

Set and cleared by software to control APB low-speed clock division factor.

Caution: The software has to set these bits correctly not to exceed 30 MHz on this domain. The clocks are divided with the new prescaler factor from 1 to 16 AHB cycles after PPRE1 write.

0xx: AHB clock not divided

100: AHB clock divided by 2

101: AHB clock divided by 4

110: AHB clock divided by 8

111: AHB clock divided by 16

Bits 9:8 Reserved

Bits 7:4 **HPRE**: AHB prescaler

Set and cleared by software to control AHB clock division factor.

Caution: The clocks are divided with the new prescaler factor from 1 to 16 AHB cycles after HPRE write.

Caution: The AHB clock frequency must be at least 25 MHz when the Ethernet is used.

0xxx: system clock not divided

1000: system clock divided by 2

1001: system clock divided by 4

1010: system clock divided by 8

1011: system clock divided by 16

1100: system clock divided by 64

1101: system clock divided by 128

1110: system clock divided by 256

1111: system clock divided by 512

Bits 3:2 **SWS**: System clock switch status

Set and cleared by hardware to indicate which clock source is used as the system clock.
 00: HSI oscillator used as the system clock
 01: HSE oscillator used as the system clock
 10: PLL used as the system clock
 11: not applicable

Bits 1:0 **SW**: System clock switch

Set and cleared by software to select the system clock source.
 Set by hardware to force the HSI selection when leaving the Stop or Standby mode or in case of failure of the HSE oscillator used directly or indirectly as the system clock.
 00: HSI oscillator selected as system clock
 01: HSE oscillator selected as system clock
 10: PLL selected as system clock
 11: not allowed

5.3.4 RCC clock interrupt register (RCC_CIR)

Address offset: 0x0C

Reset value: 0x0000 0000

Access: no wait state, word, half-word and byte access

31	30	29	28	27	26	25	24	23	22	21	20	19	18	17	16
Reserved								CSSC	Reserv ed	PLL12S RDYC	PLL RDYC	HSE RDYC	HSI RDYC	LSE RDYC	LSI RDYC
								w		w	w	w	w	w	w
15	14	13	12	11	10	9	8	7	6	5	4	3	2	1	0
Reserved		PLL12S RDYIE	PLL RDYIE	HSE RDYIE	HSI RDYIE	LSE RDYIE	LSI RDYIE	CSSF	Reserv ed	PLL12S RDYF	PLL RDYF	HSE RDYF	HSI RDYF	LSE RDYF	LSI RDYF
		rw	rw	rw	rw	rw	rw	r		r	r	r	r	r	r

Bits 31:24 Reserved, always read as 0.

Bit 23 **CSSC**: Clock security system interrupt clear

This bit is set by software to clear the CSSF flag.
 0: No effect
 1: Clear CSSF flag

Bits 22 Reserved, always read as 0.

Bit 21 **PLL12SRDYC**: PLL12S ready interrupt clear

This bit is set by software to clear the PLL12SRDYF flag.
 0: No effect
 1: PLL12SRDYF cleared

Bit 20 **PLLRDYC**: Main PLL(PLL) ready interrupt clear

This bit is set by software to clear the PLLRDYF flag.
 0: No effect
 1: PLLRDYF cleared

- Bit 19 **HSERDYC**: HSE ready interrupt clear
This bit is set by software to clear the HSERDYF flag.
0: No effect
1: HSERDYF cleared
- Bit 18 **HSIRDYC**: HSI ready interrupt clear
This bit is set by software to clear the HSIRDYF flag.
0: No effect
1: HSIRDYF cleared
- Bit 17 **LSERDYC**: LSE ready interrupt clear
This bit is set by software to clear the LSERDYF flag.
0: No effect
1: LSERDYF cleared
- Bit 16 **LSIRDYC**: LSI ready interrupt clear
This bit is set by software to clear the LSIRDYF flag.
0: No effect
1: LSIRDYF cleared
- Bits 15:12 Reserved, always read as 0.
- Bit 13 **PLLI2SRDYIE**: PLLI2S ready interrupt enable
Set and cleared by software to enable/disable interrupt caused by PLLI2S lock.
0: PLLI2S lock interrupt disabled
1: PLLI2S lock interrupt enabled
- Bit 12 **PLLRDYIE**: Main PLL (PLL) ready interrupt enable
Set and cleared by software to enable/disable interrupt caused by PLL lock.
0: PLL lock interrupt disabled
1: PLL lock interrupt enabled
- Bit 11 **HSERDYIE**: HSE ready interrupt enable
Set and cleared by software to enable/disable interrupt caused by the HSE oscillator stabilization.
0: HSE ready interrupt disabled
1: HSE ready interrupt enabled
- Bit 10 **HSIRDYIE**: HSI ready interrupt enable
Set and cleared by software to enable/disable interrupt caused by the HSI oscillator stabilization.
0: HSI ready interrupt disabled
1: HSI ready interrupt enabled
- Bit 9 **LSERDYIE**: LSE ready interrupt enable
Set and cleared by software to enable/disable interrupt caused by the LSE oscillator stabilization.
0: LSE ready interrupt disabled
1: LSE ready interrupt enabled
- Bit 8 **LSIRDYIE**: LSI ready interrupt enable
Set and cleared by software to enable/disable interrupt caused by LSI oscillator stabilization.
0: LSI ready interrupt disabled
1: LSI ready interrupt enabled

- Bit 7 **CSSF**: Clock security system interrupt flag
Set by hardware when a failure is detected in the HSE oscillator.
Cleared by software setting the CSSC bit.
0: No clock security interrupt caused by HSE clock failure
1: Clock security interrupt caused by HSE clock failure
- Bits 6 Reserved, always read as 0.
- Bit 5 **PLLI2SRDYF**: PLLI2S ready interrupt flag
Set by hardware when the PLLI2S locks and PLLI2SRDYE is set.
Cleared by software setting the PLLR2SDYC bit.
0: No clock ready interrupt caused by PLLI2S lock
1: Clock ready interrupt caused by PLLI2S lock
- Bit 4 **PLLRDYF**: Main PLL (PLL) ready interrupt flag
Set by hardware when PLL locks and PLLRDYE is set.
Cleared by software setting the PLLRDYC bit.
0: No clock ready interrupt caused by PLL lock
1: Clock ready interrupt caused by PLL lock
- Bit 3 **HSERDYF**: HSE ready interrupt flag
Set by hardware when External High Speed clock becomes stable and HSERDYE is set.
Cleared by software setting the HSERDYC bit.
0: No clock ready interrupt caused by the HSE oscillator
1: Clock ready interrupt caused by the HSE oscillator
- Bit 2 **HSIRDYF**: HSI ready interrupt flag
Set by hardware when the Internal High Speed clock becomes stable and HSIRDYE is set.
Cleared by software setting the HSIRDYC bit.
0: No clock ready interrupt caused by the HSI oscillator
1: Clock ready interrupt caused by the HSI oscillator
- Bit 1 **LSERDYF**: LSE ready interrupt flag
Set by hardware when the External Low Speed clock becomes stable and LSERDYE is set.
Cleared by software setting the LSERDYC bit.
0: No clock ready interrupt caused by the LSE oscillator
1: Clock ready interrupt caused by the LSE oscillator
- Bit 0 **LSIRDYF**: LSI ready interrupt flag
Set by hardware when the internal low speed clock becomes stable and LSIRDYE is set.
Cleared by software setting the LSIRDYC bit.
0: No clock ready interrupt caused by the LSI oscillator
1: Clock ready interrupt caused by the LSI oscillator

5.3.5 RCC AHB1 peripheral reset register (RCC_AHB1RSTR)

Address offset: 0x10

Reset value: 0x0000 0000

Access: no wait state, word, half-word and byte access.

31	30	29	28	27	26	25	24	23	22	21	20	19	18	17	16
Reserved		OTGHS RST	Reserved			ETHMAC RST	Reserved		DMA2 RST	DMA1 RST	Reserved				
		rw				rw			rw	rw					
15	14	13	12	11	10	9	8	7	6	5	4	3	2	1	0
Reserved			CRCRS T	Reserved			GPIOI RST	GPIOH RST	GPIOGG RST	GPIOF RST	GPIOE RST	GPIOD RST	GPIOC RST	GPIOB RST	GPIOA RST
			rw				rw	rw	rw	rw	rw	rw	rw	rw	rw

Bits 31:30 Reserved, always read as 0.

Bit 29 **OTGHSRST**: USB OTG HS module reset
 Set and cleared by software.
 0: does not reset the USB OTG HS module
 1: resets the USB OTG HS module

Bits 28:26 Reserved, always read as 0.

Bit 25 **ETHMACRST**: Ethernet MAC reset
 Set and cleared by software.
 0: does not reset Ethernet MAC
 1: resets Ethernet MAC

Bits 24:23 Reserved, always read as 0

Bit 22 **DMA2RST**: DMA2 reset
 Set and cleared by software.
 0: does not reset DMA2
 1: resets DMA2

Bit 21 **DMA1RST**: DMA2 reset
 Set and cleared by software.
 0: does not reset DMA2
 1: resets DMA2

Bits 20:13 Reserved, always read as 0.

Bit 12 **CRCRST**: CRC reset
 Set and cleared by software.
 0: does not reset CRC
 1: resets CRC

Bits 11:9 Reserved, always read as 0

Bit 8 **GPIOIRST**: IO port I reset
 Set and cleared by software.
 0: does not reset IO port I
 1: resets IO port I

Bit 7 **GPIOHRST**: IO port H reset
 Set and cleared by software.
 0: does not reset IO port H
 1: resets IO port H

Bits 6 **GPIOGRST**: IO port G reset
 Set and cleared by software.
 0: does not reset IO port G
 1: resets IO port G

- Bit 5 **GPIOFRST**: IO port F reset
Set and cleared by software.
0: does not reset IO port F
1: resets IO port F
- Bit 4 **GPIOERST**: IO port E reset
Set and cleared by software.
0: does not reset IO port E
1: resets IO port E
- Bit 3 **GPIODRST**: IO port D reset
Set and cleared by software.
0: does not reset IO port D
1: resets IO port D
- Bit 2 **GPIOCRST**: IO port C reset
Set and cleared by software.
0: does not reset IO port C
1: resets IO port C
- Bit 1 **GPIOBRST**: IO port B reset
Set and cleared by software.
0: does not reset IO port B
1: resets IO port B
- Bit 0 **GPIOARST**: IO port A reset
Set and cleared by software.
0: does not reset IO port A
1: resets IO port A

5.3.6 RCC AHB2 peripheral reset register (RCC_AHB2RSTR)

Address offset: 0x14

Reset value: 0x0000 0000

Access: no wait state, word, half-word and byte access

31	30	29	28	27	26	25	24	23	22	21	20	19	18	17	16
Reserved															
15	14	13	12	11	10	9	8	7	6	5	4	3	2	1	0
Reserved								OTGFS RST	RNG RST	HASH RST	CRYP RST	Reserved			DCMI RST
								rw	rw	rw	rw				rw

Bits 31:8 Reserved, always read as 0.

- Bit 7 **OTGFSRST**: USB OTG FS module reset
Set and cleared by software.
0: does not reset the USB OTG FS module
1: resets the USB OTG FS module
- Bit 6 **RNGRST**: Random number generator module reset
Set and cleared by software.
0: does not reset the random number generator module
1: resets the random number generator module

- Bit 5 **HASHRST**: Hash module reset
Set and cleared by software.
0: does not reset the HASH module
1: resets the HASH module
- Bit 4 **CRYPRST**: Cryptographic module reset
Set and cleared by software.
0: does not reset the cryptographic module
1: resets the cryptographic module
- Bit 3:1 Reserved, always read as 0
- Bit 0 **DCMIRST**: Camera interface reset
Set and cleared by software.
0: does not reset the Camera interface
1: resets the Camera interface

5.3.7 RCC AHB3 peripheral reset register (RCC_AHB3RSTR)

Address offset: 0x18

Reset value: 0x0000 0000

Access: no wait state, word, half-word and byte access.

31	30	29	28	27	26	25	24	23	22	21	20	19	18	17	16
Reserved															
15	14	13	12	11	10	9	8	7	6	5	4	3	2	1	0
Reserved														FSMCRST	
														rw	

- Bits 31:1 Reserved, always read as 0.
- Bit 0 **FSMCRST**: Flexible static memory controller module reset
Set and cleared by software.
0: does not reset the FSMC module
1: resets the FSMC module

5.3.8 RCC APB1 peripheral reset register (RCC_APB1RSTR)

Address offset: 0x20

Reset value: 0x0000 0000

Access: no wait state, word, half-word and byte access.

31	30	29	28	27	26	25	24	23	22	21	20	19	18	17	16
Reserved		DACRST	PWR RST	Reserved	CAN2 RST	CAN1 RST	Reserved	I2C3 RST	I2C2 RST	I2C1 RST	UART5 RST	UART4 RST	UART3 RST	UART2 RST	Reserved
		rw	rw			rw		rw	rw	rw	rw	rw	rw	rw	
15	14	13	12	11	10	9	8	7	6	5	4	3	2	1	0
SPI3 RST	SPI2 RST	Reserved		WWDG RST	Reserved		TIM14 RST	TIM13 RST	TIM12 RST	TIM7 RST	TIM6 RST	TIM5 RST	TIM4 RST	TIM3 RST	TIM2 RST
rw	rw			rw			rw	rw	rw	rw	rw	rw	rw	rw	rw

Bits 31:30 Reserved, always read as 0.

Bit 29 **DACRST**: DAC reset
 Set and cleared by software.
 0: does not reset the DAC interface
 1: resets the DAC interface

Bit 28 **PWRRST**: Power interface reset
 Set and cleared by software.
 0: does not reset the power interface
 1: resets the power interface

Bit 27 Reserved, always read as 0

Bit 26 **CAN2RST**: CAN2 reset
 Set and cleared by software.
 0: does not reset CAN2
 1: resets CAN2

Bit 25 **CAN1RST**: CAN1 reset
 Set and cleared by software.
 0: does not reset CAN1
 1: resets CAN1

Bit 24 Reserved, always read as 0.

Bit 23 **I2C3RST**: I2C3 reset
 Set and cleared by software.
 0: does not reset I2C3
 1: resets I2C3

Bit 22 **I2C2RST**: I2C 2 reset
 Set and cleared by software.
 0: does not reset I2C2
 1: resets I2C 2

Bit 21 **I2C1RST**: I2C 1 reset
 Set and cleared by software.
 0: does not reset I2C1
 1: resets I2C1

Bit 20 **UART5RST**: USART 5 reset
 Set and cleared by software.
 0: does not reset UART5
 1: resets UART5

- Bit 19 **UART4RST**: USART 4 reset
Set and cleared by software.
0: does not reset UART4
1: resets UART4
- Bit 18 **USART3RST**: USART 3 reset
Set and cleared by software.
0: does not reset USART3
1: resets USART3
- Bit 17 **USART2RST**: USART 2 reset
Set and cleared by software.
0: does not reset USART2
1: resets USART2
- Bit 16 Reserved, always read as 0.
- Bit 15 **SPI3RST**: SPI 3 reset
Set and cleared by software.
0: does not reset SPI3
1: resets SPI3
- Bit 14 **SPI2RST**: SPI 2 reset
Set and cleared by software.
0: does not reset SPI2
1: resets SPI2
- Bits 13:12 Reserved, always read as 0.
- Bit 11 **WWDGRST**: Window watchdog reset
Set and cleared by software.
0: does not reset the window watchdog
1: resets the window watchdog
- Bits 10:9 Reserved, always read as 0.
- Bit 8 **TIM14RST**: TIM14 reset
Set and cleared by software.
0: does not reset TIM14
1: resets TIM14
- Bit 7 **TIM13RST**: TIM13 reset
Set and cleared by software.
0: does not reset TIM13
1: resets TIM13
- Bit 6 **TIM12RST**: TIM12 reset
Set and cleared by software.
0: does not reset TIM12
1: resets TIM12
- Bit 5 **TIM7RST**: TIM7 reset
Set and cleared by software.
0: does not reset TIM7
1: resets TIM7

- Bit 4 **TIM6RST**: TIM6 reset
Set and cleared by software.
0: does not reset TIM6
1: resets TIM6
- Bit 3 **TIM5RST**: TIM5 reset
Set and cleared by software.
0: does not reset TIM5
1: resets TIM5
- Bit 2 **TIM4RST**: TIM4 reset
Set and cleared by software.
0: does not reset TIM4
1: resets TIM4
- Bit 1 **TIM3RST**: TIM3 reset
Set and cleared by software.
0: does not reset TIM3
1: resets TIM3
- Bit 0 **TIM2RST**: TIM2 reset
Set and cleared by software.
0: does not reset TIM2
1: resets TIM2

5.3.9 RCC APB2 peripheral reset register (RCC_APB2RSTR)

Address offset: 0x24

Reset value: 0x0000 0000

Access: no wait state, word, half-word and byte access.

31												30												29												28												27												26												25												24												23												22												21												20												19												18												17												16																																																											
Reserved																								TIM11 RST	TIM10 RST	TIM9 RST																																																																																																																																																																																																																					
																								rw	rw	rw																																																																																																																																																																																																																					
15															14															13															12															11															10															9															8															7															6															5															4															3															2															1															0														
Reserved	SYSCFG RST	Reserved	SPI1 RST	SDIO RST	Reserved										ADC RST	Reserved										USART 6 RST	USART 1 RST	Reserved										TIM8 RST	TIM1 RST																																																																																																																																																																																																								
	rw		rw	rw											rw											rw	rw											rw	rw																																																																																																																																																																																																								

Bits 31:19 Reserved, always read as 0.

- Bit 18 **TIM11RST**: TIM11 reset
Set and cleared by software.
0: does not reset TIM11
1: resets TIM11
- Bit 17 **TIM10RST**: TIM10 reset
Set and cleared by software.
0: does not reset TIM10
1: resets TIM10

- Bit 16 **TIM9RST**: TIM9 reset
Set and cleared by software.
0: does not reset TIM9
1: resets TIM9
- Bit 15 Reserved, always read as 0.
- Bit 14 **SYSCFGRST**: System configuration controller reset
Set and cleared by software.
0: does not reset the System configuration controller
1: resets the System configuration controller
- Bit 13 Reserved, always read as 0.
- Bit 12 **SPI1RST**: SPI 1 reset
Set and cleared by software.
0: does not reset SPI1
1: resets SPI1
- Bit 11 **SDIORST**: SDIO reset
Set and cleared by software.
0: does not reset the SDIO module
1: resets the SDIO module
- Bits 10:9 Reserved, always read as 0
- Bit 8 **ADCRST**: ADC interface reset (common to all ADCs)
Set and cleared by software.
0: does not reset the ADC interface
1: resets the ADC interface
- Bits 7:6 Reserved, always read as 0.
- Bit 5 **USART6RST**: USART6 reset
Set and cleared by software.
0: does not reset USART6
1: resets USART6
- Bit 4 **USART1RST**: USART1 reset
Set and cleared by software.
0: does not reset USART1
1: resets USART1
- Bits 3:2 Reserved, always read as 0.
- Bit 1 **TIM8RST**: TIM8 reset
Set and cleared by software.
0: does not reset TIM8
1: resets TIM8
- Bit 0 **TIM1RST**: TIM1 reset
Set and cleared by software.
0: does not reset TIM1
1: resets TIM1

5.3.10 RCC AHB1 peripheral clock register (RCC_AHB1ENR)

Address offset: 0x30

Reset value: 0x0000 0000

Access: no wait state, word, half-word and byte access.

31	30	29	28	27	26	25	24	23	22	21	20	19	18	17	16	
Reserved	OTGHSULPIEN	OTGHS EN	ETHMACPTPEN	ETHMACRXEN	ETHMACTXEN	ETHMACEN	Reserved			DMA2EN	DMA1EN	Reserved			BKPSRAMEN	Reserved
	rw	rw	rw	rw	rw	rw				rw	rw				rw	
15	14	13	12	11	10	9	8	7	6	5	4	3	2	1	0	
Reserved			CRCEN	Reserved				GPIODEN	GPIODEN	GPIODEN	GPIODEN	GPIODEN	GPIODEN	GPIODEN	GPIODEN	GPIODEN
			rw					rw	rw	rw	rw	rw	rw	rw	rw	rw

Bits 31 Reserved, always read as 0.

Bit 30 **OTGHSULPIEN**: USB OTG HSULPI clock enable

Set and cleared by software.

0: USB OTG HS ULPI clock disabled

1: USB OTG HS ULPI clock enabled

Bit 29 **OTGHS EN**: USB OTG HS clock enable

Set and cleared by software.

0: USB OTG HS clock disabled

1: USB OTG HS clock enabled

Bit 28 **ETHMACPTPEN**: Ethernet PTP clock enable

Set and cleared by software.

0: Ethernet PTP clock disabled

1: Ethernet PTP clock enabled

Bit 27 **ETHMACRXEN**: Ethernet Reception clock enable

Set and cleared by software.

0: Ethernet Reception clock disabled

1: Ethernet Reception clock enabled

Bit 26 **ETHMACTXEN**: Ethernet Transmission clock enable

Set and cleared by software.

0: Ethernet Transmission clock disabled

1: Ethernet Transmission clock enabled

Bit 25 **ETHMACEN**: Ethernet MAC clock enable

Set and cleared by software.

0: Ethernet MAC clock disabled

1: Ethernet MAC clock enabled

Bits 24:23 Reserved, always read as 0.

Bit 22 **DMA2EN**: DMA2 clock enable

Set and cleared by software.

0: DMA2 clock disabled

1: DMA2 clock enabled

- Bit 21 **DMA1EN**: DMA1 clock enable
Set and cleared by software.
0: DMA1 clock disabled
1: DMA1 clock enabled
- Bits 20:19 Reserved, always read as 0.
- Bit 18 **BKPSRAMEN**: Backup SRAM interface clock enable
Set and cleared by software.
0: Backup SRAM interface clock disabled
1: Backup SRAM interface clock enabled
- Bits 17:13 Reserved, always read as 0.
- Bit 12 **CRCEN**: CRC clock enable
Set and cleared by software.
0: CRC clock disabled
1: CRC clock enabled
- Bits 11:9 Reserved, always read as 0.
- Bit 8 **GPIOIEN**: IO port I clock enable
Set and cleared by software.
0: IO port I clock disabled
1: IO port I clock enabled
- Bit 7 **GPIOHEN**: IO port H clock enable
Set and cleared by software.
0: IO port H clock disabled
1: IO port H clock enabled
- Bit 6 **GPIOGEN**: IO port G clock enable
Set and cleared by software.
0: IO port G clock disabled
1: IO port G clock enabled
- Bit 5 **GPIOFEN**: IO port F clock enable
Set and cleared by software.
0: IO port F clock disabled
1: IO port F clock enabled
- Bit 4 **GPIOEEN**: IO port E clock enable
Set and cleared by software.
0: IO port E clock disabled
1: IO port E clock enabled
- Bit 3 **GPIODEN**: IO port D clock enable
Set and cleared by software.
0: IO port D clock disabled
1: IO port D clock enabled
- Bit 2 **GPIOCEN**: IO port C clock enable
Set and cleared by software.
0: IO port C clock disabled
1: IO port C clock enabled

Bit 1 **GPIOBEN**: IO port B clock enable
 Set and cleared by software.
 0: IO port B clock disabled
 1: IO port B clock enabled

Bit 0 **GPIOAEN**: IO port A clock enable
 Set and cleared by software.
 0: IO port A clock disabled
 1: IO port A clock enabled

5.3.11 RCC AHB2 peripheral clock enable register (RCC_AHB2ENR)

Address offset: 0x34

Reset value: 0x0000 0000

Access: no wait state, word, half-word and byte access.

31	30	29	28	27	26	25	24	23	22	21	20	19	18	17	16
Reserved															
15	14	13	12	11	10	9	8	7	6	5	4	3	2	1	0
Reserved								OTGFS EN	RNG EN	HASH EN	CRYP EN	Reserved			DCMI EN
								rw	rw	rw	rw				rw

Bits 31:8 Reserved, always read as 0.

Bit 7 **OTGFSEN**: USB OTG FS clock enable
 Set and cleared by software.
 0: USB OTG FS clock disabled
 1: USB OTG FS clock enabled

Bit 6 **RNGEN**: Random number generator clock enable
 Set and cleared by software.
 0: Random number generator clock disabled
 1: Random number generator clock enabled

Bit 5 **HASHEN**: Hash modules clock enable
 Set and cleared by software.
 0: Hash modules clock disabled
 1: Hash modules clock enabled

Bit 4 **CRYPEN**: Cryptographic modules clock enable
 Set and cleared by software.
 0: cryptographic module clock disabled
 1: cryptographic module clock enabled

Bit 3:1 Reserved, always read as 0

Bit 0 **DCMIEN**: Camera interface enable
 Set and cleared by software.
 0: Camera interface clock disabled
 1: Camera interface clock enabled

5.3.12 RCC AHB3 peripheral clock enable register (RCC_AHB3ENR)

Address offset: 0x38

Reset value: 0x0000 0000

Access: no wait state, word, half-word and byte access.

31	30	29	28	27	26	25	24	23	22	21	20	19	18	17	16
Reserved															
15	14	13	12	11	10	9	8	7	6	5	4	3	2	1	0
Reserved															FSMCEN
															rw

Bits 31:1 Reserved, always read as 0.

Bit 0 **FSMCEN**: Flexible static memory controller module clock enable

Set and cleared by software.

0: FSMC module clock disabled

1: FSMC module clock enabled

5.3.13 RCC APB1 peripheral clock enable register (RCC_APB1ENR)

Address offset: 0x40

Reset value: 0x0000 0000

Access: no wait state, word, half-word and byte access.

31	30	29	28	27	26	25	24	23	22	21	20	19	18	17	16
Reserved	DAC EN	PWR EN	Reserved	CAN2 EN	CAN1 EN	Reserved	I2C3 EN	I2C2 EN	I2C1 EN	UART5 EN	UART4 EN	USART3 EN	USART2 EN	Reserved	
	rw	rw		rw	rw		rw	rw	rw	rw	rw	rw	rw		rw
15	14	13	12	11	10	9	8	7	6	5	4	3	2	1	0
SPI3 EN	SPI2 EN	Reserved		WWDG EN	Reserved		TIM14 EN	TIM13 EN	TIM12 EN	TIM7 EN	TIM6 EN	TIM5 EN	TIM4 EN	TIM3 EN	TIM2 EN
rw	rw			rw			rw	rw	rw	rw	rw	rw	rw	rw	rw

Bits 31:30 Reserved, always read as 0.

Bit 29 **DACEN**: DAC interface clock enable

Set and cleared by software.

0: DAC interface clock disabled

1: DAC interface clock enable

Bit 28 **PWREN**: Power interface clock enable

Set and cleared by software.

0: Power interface clock disabled

1: Power interface clock enable

Bit 27 Reserved, always read as 0.

Bit 26 **CAN2EN**: CAN 2 clock enable

Set and cleared by software.

0: CAN 2 clock disabled

1: CAN 2 clock enabled

- Bit 25 **CAN1EN**: CAN 1 clock enable
Set and cleared by software.
0: CAN 1 clock disabled
1: CAN 1 clock enabled
- Bit 24 Reserved, always read as 0.
- Bit 23 **I2C3EN**: I2C3 clock enable
Set and cleared by software.
0: I2C3 clock disabled
1: I2C3 clock enabled
- Bit 22 **I2C2EN**: I2C2 clock enable
Set and cleared by software.
0: I2C2 clock disabled
1: I2C2 clock enabled
- Bit 21 **I2C1EN**: I2C1 clock enable
Set and cleared by software.
0: I2C1 clock disabled
1: I2C1 clock enabled
- Bit 20 **UART5EN**: UART5 clock enable
Set and cleared by software.
0: UART5 clock disabled
1: UART5 clock enabled
- Bit 19 **UART4EN**: UART4 clock enable
Set and cleared by software.
0: UART4 clock disabled
1: UART4 clock enabled
- Bit 18 **USART3EN**: USART3 clock enable
Set and cleared by software.
0: USART3 clock disabled
1: USART3 clock enabled
- Bit 17 **USART2EN**: USART 2 clock enable
Set and cleared by software.
0: USART2 clock disabled
1: USART2 clock enabled
- Bit 16 Reserved, always read as 0.
- Bit 15 **SPI3EN**: SPI3 clock enable
Set and cleared by software.
0: SPI3 clock disabled
1: SPI3 clock enabled
- Bit 14 **SPI2EN**: SPI2 clock enable
Set and cleared by software.
0: SPI2 clock disabled
1: SPI2 clock enabled
- Bits 13:12 Reserved, always read as 0.

- Bit 11 **WWDGEN**: Window watchdog clock enable
Set and cleared by software.
0: Window watchdog clock disabled
1: Window watchdog clock enabled
- Bit 10:9 Reserved, always read as 0.
- Bit 8 **TIM14EN**: TIM14 clock enable
Set and cleared by software.
0: TIM14 clock disabled
1: TIM14 clock enabled
- Bit 7 **TIM13EN**: TIM13 clock enable
Set and cleared by software.
0: TIM13 clock disabled
1: TIM13 clock enabled
- Bit 6 **TIM12EN**: TIM12 clock enable
Set and cleared by software.
0: TIM12 clock disabled
1: TIM12 clock enabled
- Bit 5 **TIM7EN**: TIM7 clock enable
Set and cleared by software.
0: TIM7 clock disabled
1: TIM7 clock enabled
- Bit 4 **TIM6EN**: TIM6 clock enable
Set and cleared by software.
0: TIM6 clock disabled
1: TIM6 clock enabled
- Bit 3 **TIM5EN**: TIM5 clock enable
Set and cleared by software.
0: TIM5 clock disabled
1: TIM5 clock enabled
- Bit 2 **TIM4EN**: TIM4 clock enable
Set and cleared by software.
0: TIM4 clock disabled
1: TIM4 clock enabled
- Bit 1 **TIM3EN**: TIM3 clock enable
Set and cleared by software.
0: TIM3 clock disabled
1: TIM3 clock enabled
- Bit 0 **TIM2EN**: TIM2 clock enable
Set and cleared by software.
0: TIM2 clock disabled
1: TIM2 clock enabled

5.3.14 RCC APB2 peripheral clock enable register (RCC_APB2ENR)

Address offset: 0x44

Reset value: 0x0000 0000

Access: no wait state, word, half-word and byte access.

Reserved												TIM11 EN	TIM10 EN	TIM9 EN
												rw	rw	rw
Reserved	SYSCFG EN	Reserved	SPI1 EN	SDIO EN	ADC3 EN	ADC2 EN	ADC1 EN	Reserved	USART6 EN	USART1 EN	Reserved	TIM8 EN	TIM1 EN	
rw	rw	rw	rw	rw	rw	rw	rw	rw	rw	rw	rw	rw	rw	

Bits 31:19 Reserved, always read as 0.

Bit 18 **TIM11EN**: TIM11 clock enable
 Set and cleared by software.
 0: TIM11 clock disabled
 1: TIM11 clock enabled

Bit 17 **TIM10EN**: TIM10 clock enable
 Set and cleared by software.
 0: TIM10 clock disabled
 1: TIM10 clock enabled

Bit 16 **TIM9EN**: TIM9 clock enable
 Set and cleared by software.
 0: TIM9 clock disabled
 1: TIM9 clock enabled

Bit 15 Reserved, always read as 0.

Bit 14 **SYSCFGEN**: System configuration controller clock enable
 Set and cleared by software.
 0: System configuration controller clock disabled
 1: System configuration controller clock enabled

Bit 13 Reserved, always read as 0.

Bit 12 **SPI1EN**: SPI1 clock enable
 Set and cleared by software.
 0: SPI1 clock disabled
 1: SPI1 clock enabled

Bit 11 **SDIOEN**: SDIO clock enable
 Set and cleared by software.
 0: SDIO module clock disabled
 1: SDIO module clock enabled

Bit 10 **ADC3EN**: ADC3 clock enable
 Set and cleared by software.
 0: ADC3 clock disabled
 1: ADC3 clock disabled

- Bit 9 **ADC2EN**: ADC2 clock enable
Set and cleared by software.
0: ADC2 clock disabled
1: ADC2 clock disabled
- Bit 8 **ADC1EN**: ADC1 clock enable
Set and cleared by software.
0: ADC1 clock disabled
1: ADC1 clock disabled
- Bits 7:6 Reserved, always read as 0.
- Bit 5 **USART6EN**: USART6 clock enable
Set and cleared by software.
0: USART6 clock disabled
1: USART6 clock enabled
- Bit 4 **USART1EN**: USART1 clock enable
Set and cleared by software.
0: USART1 clock disabled
1: USART1 clock enabled
- Bits 3:2 Reserved, always read as 0.
- Bit 1 **TIM8EN**: TIM8 clock enable
Set and cleared by software.
0: TIM8 clock disabled
1: TIM8 clock enabled
- Bit 0 **TIM1EN**: TIM1 clock enable
Set and cleared by software.
0: TIM1 clock disabled
1: TIM1 clock enabled

5.3.15 RCC AHB1 peripheral clock enable in low power mode register (RCC_AHB1LPENR)

Address offset: 0x50

Reset value: 0x7E67 91FF

Access: no wait state, word, half-word and byte access.

31	30	29	28	27	26	25	24	23	22	21	20	19	18	17	16	
Reser- ved	OTGHS ULPILPEN	OTGHS LPEN	ETHPTP LPEN	ETHRX LPEN	ETHTX LPEN	ETHMAC LPEN	Reserved			DMA2 LPEN	DMA1 LPEN	Reserved		BKPSRA M LPEN	SRAM2 LPEN	SRAM1 LPEN
	rw	rw	rw	rw	rw	rw				rw	rw			rw	rw	rw
15	14	13	12	11	10	9	8	7	6	5	4	3	2	1	0	
FLITF LPEN	Reserved		CRC LPEN	Reserved			GPIOI LPEN	GPIOH LPEN	GPIOGG LPEN	GPIOF LPEN	GPIOE LPEN	GPIOD LPEN	GPIOC LPEN	GPIOB LPEN	GPIOA LPEN	
	rw		rw				rw	rw	rw	rw	rw	rw	rw	rw	rw	

Bit 31 Reserved, always read as 0.

- Bit 30 **OTGHSULPILPEN**: USB OTG HS ULPI clock enable during Sleep mode
Set and cleared by software.
0: USB OTG HS ULPI clock disabled during Sleep mode
1: USB OTG HS ULPI clock enabled during Sleep mode
- Bit 29 **OTGHSLPEN**: USB OTG HS clock enable during Sleep mode
Set and cleared by software.
0: USB OTG HS clock disabled during Sleep mode
1: USB OTG HS clock enabled during Sleep mode
- Bit 28 **ETHMACPTLPEN**: Ethernet PTP clock enable during Sleep mode
Set and cleared by software.
0: Ethernet PTP clock disabled during Sleep mode
1: Ethernet PTP clock enabled during Sleep mode
- Bit 27 **ETHMACRXLPEN**: Ethernet reception clock enable during Sleep mode
Set and cleared by software.
0: Ethernet reception clock disabled during Sleep mode
1: Ethernet reception clock enabled during Sleep mode
- Bit 26 **ETHMACTXLPEN**: Ethernet transmission clock enable during Sleep mode
Set and cleared by software.
0: Ethernet transmission clock disabled during sleep mode
1: Ethernet transmission clock enabled during sleep mode
- Bit 25 **ETHMACLPEN**: Ethernet MAC clock enable during Sleep mode
Set and cleared by software.
0: Ethernet MAC clock disabled during Sleep mode
1: Ethernet MAC clock enabled during Sleep mode
- Bits 24:23 Reserved, always read as 0
- Bit 22 **DMA2LPEN**: DMA2 clock enable during Sleep mode
Set and cleared by software.
0: DMA2 clock disabled during Sleep mode
1: DMA2 clock enabled during Sleep mode
- Bit 21 **DMA1LPEN**: DMA1 clock enable during Sleep mode
Set and cleared by software.
0: DMA1 clock disabled during Sleep mode
1: DMA1 clock enabled during Sleep mode
- Bits 20:19 Reserved, always read as 0.
- Bit 18 **BKPSRAMLPEN**: Backup SRAM interface clock enable during Sleep mode
Set and cleared by software.
0: Backup SRAM interface clock disabled during Sleep mode
1: Backup SRAM interface clock enabled during Sleep mode
- Bit 17 **SRAM2LPEN**: SRAM 2 interface clock enable during Sleep mode
Set and cleared by software.
0: SRAM 2 interface clock disabled during Sleep mode
1: SRAM 2 interface clock enabled during Sleep mode
- Bit 16 **SRAM1LPEN**: SRAM 1 interface clock enable during Sleep mode
Set and cleared by software.
0: SRAM 1 interface clock disabled during Sleep mode
1: SRAM 1 interface clock enabled during Sleep mode

- Bit 15 **FLITFLPEN**: Flash interface clock enable during Sleep mode
Set and cleared by software.
0: Flash interface clock disabled during Sleep mode
1: Flash interface clock enabled during Sleep mode
- Bits 14:13 Reserved, always read as 0
- Bit 12 **CRCLPEN**: CRC clock enable during Sleep mode
Set and cleared by software.
0: CRC clock disabled during Sleep mode
1: CRC clock enabled during Sleep mode
- Bits 11:9 Reserved, always read as 0
- Bit 8 **GPIOLPEN**: IO port I clock enable during Sleep mode
Set and cleared by software.
0: IO port I clock disabled during Sleep mode
1: IO port I clock enabled during Sleep mode
- Bit 7 **GPIOHPEN**: IO port H clock enable during Sleep mode
Set and cleared by software.
0: IO port H clock disabled during Sleep mode
1: IO port H clock enabled during Sleep mode
- Bits 6 **GPIOGLPEN**: IO port G clock enable during Sleep mode
Set and cleared by software.
0: IO port G clock disabled during Sleep mode
1: IO port G clock enabled during Sleep mode
- Bit 5 **GPIOFPEN**: IO port F clock enable during Sleep mode
Set and cleared by software.
0: IO port F clock disabled during Sleep mode
1: IO port F clock enabled during Sleep mode
- Bit 4 **GPIOEPEN**: IO port E clock enable during Sleep mode
Set and cleared by software.
0: IO port E clock disabled during Sleep mode
1: IO port E clock enabled during Sleep mode
- Bit 3 **GPIODPEN**: IO port D clock enable during Sleep mode
Set and cleared by software.
0: IO port D clock disabled during Sleep mode
1: IO port D clock enabled during Sleep mode
- Bit 2 **GPIOCLPEN**: IO port C clock enable during Sleep mode
Set and cleared by software.
0: IO port C clock disabled during Sleep mode
1: IO port C clock enabled during Sleep mode
- Bit 1 **GPIOBLEN**: IO port B clock enable during Sleep mode
Set and cleared by software.
0: IO port B clock disabled during Sleep mode
1: IO port B clock enabled during Sleep mode
- Bit 0 **GPIOALPEN**: IO port A clock enable during sleep mode
Set and cleared by software.
0: IO port A clock disabled during Sleep mode
1: IO port A clock enabled during Sleep mode

5.3.16 RCC AHB2 peripheral clock enable in low power mode register (RCC_AHB2LPENR)

Address offset: 0x54

Reset value: 0x0000 00F1

Access: no wait state, word, half-word and byte access.

31	30	29	28	27	26	25	24	23	22	21	20	19	18	17	16
Reserved															
15	14	13	12	11	10	9	8	7	6	5	4	3	2	1	0
Reserved								OTGFS LPEN	RNG LPEN	HASH LPEN	CRYP LPEN	Reserved			DCMI LPEN
								rw	rw	rw	rw				rw

Bits 31:8 Reserved, always read as 0.

Bit 7 **OTGFSLPEN**: USB OTG FS clock enable during Sleep mode

Set and cleared by software.

0: USB OTG FS clock disabled during Sleep mode

1: USB OTG FS clock enabled during Sleep mode

Bit 6 **RNGLPEN**: Random number generator clock enable during Sleep mode

Set and cleared by software.

0: Random number generator clock disabled during Sleep mode

1: Random number generator clock enabled during Sleep mode

Bit 5 **HASHLPEN**: Hash modules clock enable during Sleep mode

Set and cleared by software.

0: Hash modules clock disabled during Sleep mode

1: Hash modules clock enabled during Sleep mode

Bit 4 **CRYPLPEN**: Cryptography modules clock enable during Sleep mode

Set and cleared by software.

0: cryptography modules clock disabled during Sleep mode

1: cryptography modules clock enabled during Sleep mode

Bit 3:1 Reserved, always read as 0

Bit 0 **DCMILPEN**: Camera interface enable during Sleep mode

Set and cleared by software.

0: Camera interface clock disabled during Sleep mode

1: Camera interface clock enabled during Sleep mode

5.3.17 RCC AHB3 peripheral clock enable in low power mode register (RCC_AHB3LPENR)

Address offset: 0x58

Reset value: 0x0000 0001

Access: no wait state, word, half-word and byte access.

31	30	29	28	27	26	25	24	23	22	21	20	19	18	17	16
Reserved															
15	14	13	12	11	10	9	8	7	6	5	4	3	2	1	0
Reserved														FSMC LPEN	
														rw	

Bits 31:1 Reserved, always read as 0.

FSMCLPEN: Flexible static memory controller module clock enable during Sleep mode

- Bit 0 Set and cleared by software.
 - 0: FSMC module clock disabled during Sleep mode
 - 1: FSMC module clock enabled during Sleep mode

5.3.18 RCC APB1 peripheral clock enable in low power mode register (RCC_APB1LPENR)

Address offset: 0x60

Reset value: 0x36FE C9FF

Access: no wait state, word, half-word and byte access.

31	30	29	28	27	26	25	24	23	22	21	20	19	18	17	16
Reserved		DAC LPEN	PWR LPEN	RESERVED	CAN2 LPEN	CAN1 LPEN	Reserved	I2C3 LPEN	I2C2 LPEN	I2C1 LPEN	UART5 LPEN	UART4 LPEN	USART3 LPEN	USART2 LPEN	Reserved
		rw	rw		rw	rw		rw	rw	rw	rw	rw	rw	rw	
15	14	13	12	11	10	9	8	7	6	5	4	3	2	1	0
SPI3 LPEN	SPI2 LPEN	Reserved		WWDG LPEN	Reserved		TIM14 LPEN	TIM13 LPEN	TIM12 LPEN	TIM7 LPEN	TIM6 LPEN	TIM5 LPEN	TIM4 LPEN	TIM3 LPEN	TIM2 LPEN
rw	rw			rw			rw	rw	rw	rw	rw	rw	rw	rw	rw

Bits 31:30 Reserved, always read as 0.

Bit 29 **DACL PEN:** DAC interface clock enable during Sleep mode

- Set and cleared by software.
 - 0: DAC interface clock disabled during Sleep mode
 - 1: DAC interface clock enabled during Sleep mode

Bit 28 **PWRLPEN:** Power interface clock enable during Sleep mode

- Set and cleared by software.
 - 0: Power interface clock disabled during Sleep mode
 - 1: Power interface clock enabled during Sleep mode

Bit 27 Reserved, always read as 0.

Bit 26 **CAN2LPEN:** CAN 2 clock enable during Sleep mode

- Set and cleared by software.
 - 0: CAN 2 clock disabled during sleep mode
 - 1: CAN 2 clock enabled during sleep mode

- Bit 25 **CAN1LPEN**: CAN 1 clock enable during Sleep mode
Set and cleared by software.
0: CAN 1 clock disabled during Sleep mode
1: CAN 1 clock enabled during Sleep mode
- Bit 24 Reserved, always read as 0.
- Bit 23 **I2C3LPEN**: I2C3 clock enable during Sleep mode
Set and cleared by software.
0: I2C3 clock disabled during Sleep mode
1: I2C3 clock enabled during Sleep mode
- Bit 22 **I2C2LPEN**: I2C2 clock enable during Sleep mode
Set and cleared by software.
0: I2C2 clock disabled during Sleep mode
1: I2C2 clock enabled during Sleep mode
- Bit 21 **I2C1LPEN**: I2C1 clock enable during Sleep mode
Set and cleared by software.
0: I2C1 clock disabled during Sleep mode
1: I2C1 clock enabled during Sleep mode
- Bit 20 **UART5LPEN**: UART5 clock enable during Sleep mode
Set and cleared by software.
0: UART5 clock disabled during Sleep mode
1: UART5 clock enabled during Sleep mode
- Bit 19 **UART4LPEN**: UART4 clock enable during Sleep mode
Set and cleared by software.
0: UART4 clock disabled during Sleep mode
1: UART4 clock enabled during Sleep mode
- Bit 18 **USART3LPEN**: USART3 clock enable during Sleep mode
Set and cleared by software.
0: USART3 clock disabled during Sleep mode
1: USART3 clock enabled during Sleep mode
- Bit 17 **USART2LPEN**: USART2 clock enable during Sleep mode
Set and cleared by software.
0: USART2 clock disabled during Sleep mode
1: USART2 clock enabled during Sleep mode
- Bit 16 Reserved, always read as 0.
- Bit 15 **SPI3LPEN**: SPI3 clock enable during Sleep mode
Set and cleared by software.
0: SPI3 clock disabled during Sleep mode
1: SPI3 clock enabled during Sleep mode
- Bit 14 **SPI2LPEN**: SPI2 clock enable during Sleep mode
Set and cleared by software.
0: SPI2 clock disabled during Sleep mode
1: SPI2 clock enabled during Sleep mode
- Bits 13:12 Reserved, always read as 0.

Bit 11 **WWDGLPEN**: Window watchdog clock enable during Sleep mode
Set and cleared by software.
0: Window watchdog clock disabled during sleep mode
1: Window watchdog clock enabled during sleep mode

Bits 10:9 Reserved, always read as 0.

Bit 8 **TIM14LPEN**: TIM14 clock enable during Sleep mode
Set and cleared by software.
0: TIM14 clock disabled during Sleep mode
1: TIM14 clock enabled during Sleep mode

Bit 7 **TIM13LPEN**: TIM13 clock enable during Sleep mode
Set and cleared by software.
0: TIM13 clock disabled during Sleep mode
1: TIM13 clock enabled during Sleep mode

Bit 6 **TIM12LPEN**: TIM12 clock enable during Sleep mode
Set and cleared by software.
0: TIM12 clock disabled during Sleep mode
1: TIM12 clock enabled during Sleep mode

Bit 5 **TIM7LPEN**: TIM7 clock enable during Sleep mode
Set and cleared by software.
0: TIM7 clock disabled during Sleep mode
1: TIM7 clock enabled during Sleep mode

Bit 4 **TIM6LPEN**: TIM6 clock enable during Sleep mode
Set and cleared by software.
0: TIM6 clock disabled during Sleep mode
1: TIM6 clock enabled during Sleep mode

Bit 3 **TIM5LPEN**: TIM5 clock enable during Sleep mode
Set and cleared by software.
0: TIM5 clock disabled during Sleep mode
1: TIM5 clock enabled during Sleep mode

Bit 2 **TIM4LPEN**: TIM4 clock enable during Sleep mode
Set and cleared by software.
0: TIM4 clock disabled during Sleep mode
1: TIM4 clock enabled during Sleep mode

Bit 1 **TIM3LPEN**: TIM3 clock enable during Sleep mode
Set and cleared by software.
0: TIM3 clock disabled during Sleep mode
1: TIM3 clock enabled during Sleep mode

Bit 0 **TIM2LPEN**: TIM2 clock enable during Sleep mode
Set and cleared by software.
0: TIM2 clock disabled during Sleep mode
1: TIM2 clock enabled during Sleep mode

5.3.19 RCC APB2 peripheral clock enabled in low power mode register (RCC_APB2LPENR)

Address offset: 0x64

Reset value: 0x0007 5F33

Access: no wait state, word, half-word and byte access.

31															30															29															28															27															26															25															24															23															22															21															20															19															18															17															16														
Reserved																								TIM11 LPEN					TIM10 LPEN					TIM9 LPEN																																																																																																																																																																																																													
rw																								rw					rw					rw																																																																																																																																																																																																													
15															14															13															12															11															10															9															8															7															6															5															4															3															2															1															0														
Reserved					SYSC FG LPEN					Reserved					SPI1 LPEN					SDIO LPEN					ADC3 LPEN					ADC2 LPEN					ADC1 LPEN					Reserved					USART 6 LPEN					USART 1 LPEN					Reserved					TIM8 LPEN					TIM1 LPEN																																																																																																																																																																														
rw					rw					rw					rw					rw					rw					rw					rw					rw					rw					rw					rw					rw																																																																																																																																																																																			

Bits 31:19 Reserved, always read as 0.

Bit 18 **TIM11LPEN**: TIM11 clock enable during Sleep mode
 Set and cleared by software.
 0: TIM11 clock disabled during Sleep mode
 1: TIM11 clock enabled during Sleep mode

Bit 17 **TIM10LPEN**: TIM10 clock enable during Sleep mode
 Set and cleared by software.
 0: TIM10 clock disabled during Sleep mode
 1: TIM10 clock enabled during Sleep mode

Bit 16 **TIM9LPEN**: TIM9 clock enable during sleep mode
 Set and cleared by software.
 0: TIM9 clock disabled during Sleep mode
 1: TIM9 clock enabled during Sleep mode

Bit 15 Reserved, always read as 0.

Bit 14 **SYSCFGLPEN**: System configuration controller clock enable during Sleep mode
 Set and cleared by software.
 0: System configuration controller clock disabled during Sleep mode
 1: System configuration controller clock enabled during Sleep mode

Bits 13 Reserved, always read as 0.

Bit 12 **SPI1LPEN**: SPI 1 clock enable during Sleep mode
 Set and cleared by software.
 0: SPI 1 clock disabled during Sleep mode
 1: SPI 1 clock enabled during Sleep mode

Bit 11 **SDIOLPEN**: SDIO clock enable during Sleep mode
 Set and cleared by software.
 0: SDIO module clock disabled during Sleep mode
 1: SDIO module clock enabled during Sleep mode

- Bit 10 **ADC3LPEN**: ADC 3 clock enable during Sleep mode
Set and cleared by software.
0: ADC 3 clock disabled during Sleep mode
1: ADC 3 clock disabled during Sleep mode
- Bit 9 **ADC2LPEN**: ADC2 clock enable during Sleep mode
Set and cleared by software.
0: ADC2 clock disabled during Sleep mode
1: ADC2 clock disabled during Sleep mode
- Bit 8 **ADC1LPEN**: ADC1 clock enable during Sleep mode
Set and cleared by software.
0: ADC1 clock disabled during Sleep mode
1: ADC1 clock enabled during Sleep mode
- Bits 7:6 Reserved, always read as 0.
- Bit 5 **USART6LPEN**: USART6 clock enable during Sleep mode
Set and cleared by software.
0: USART6 clock disabled during Sleep mode
1: USART6 clock enabled during Sleep mode
- Bit 4 **USART1LPEN**: USART1 clock enable during Sleep mode
Set and cleared by software.
0: USART1 clock disabled during Sleep mode
1: USART1 clock enabled during Sleep mode
- Bits 3:2 Reserved, always read as 0.
- Bit 1 **TIM8LPEN**: TIM8 clock enable during Sleep mode
Set and cleared by software.
0: TIM8 clock disabled during Sleep mode
1: TIM8 clock enabled during Sleep mode
- Bit 0 **TIM1LPEN**: TIM1 clock enable during Sleep mode
Set and cleared by software.
0: TIM1 clock disabled during Sleep mode
1: TIM1 clock enabled during Sleep mode

5.3.20 RCC Backup domain control register (RCC_BDCR)

Address offset: 0x70

Reset value: 0x0000 0000, reset by Backup domain reset.

Access: $0 \leq \text{wait state} \leq 3$, word, half-word and byte access

Wait states are inserted in case of successive accesses to this register.

The LSEON, LSEBYP, RTCSEL and RTCEN bits in the *RCC Backup domain control register (RCC_BDCR)* are in the Backup domain. As a result, after Reset, these bits are write-protected and the DBP bit in the *PWR power control register (PWR_CR)* has to be set before these can be modified. Refer to [Section 5.1.1](#) for further information. These bits are only reset after a Backup domain Reset (see [Section 5.1.3](#)). Any internal or external Reset does not have any effect on these bits.

31	30	29	28	27	26	25	24	23	22	21	20	19	18	17	16
Reserved															BDRST
															rw
15	14	13	12	11	10	9	8	7	6	5	4	3	2	1	0
RTCEN	Reserved					RTCSEL[1:0]		Reserved					LSEBYP	LSERDY	LSEON
rw						rw	rw						rw	r	rw

Bits 31:17 Reserved, always read as 0.

Bit 16 **BDRST**: Backup domain software reset

Set and cleared by software.

0: Reset not activated

1: Resets the entire Backup domain

Note: The BKPSRAM is not affected by this reset, the only way of resetting the BKPSRAM is through the Flash interface when a protection level change from level 1 to level 0 is requested.

Bit 15 **RTCEN**: RTC clock enable

Set and cleared by software.

0: RTC clock disabled

1: RTC clock enabled

Bits 14:10 Reserved, always read as 0.

Bits 9:8 **RTCSEL[1:0]**: RTC clock source selection

Set by software to select the clock source for the RTC. Once the RTC clock source has been selected, it cannot be changed anymore unless the Backup domain is reset. The BDRST bit can be used to reset them.

00: No clock

01: LSE oscillator clock used as the RTC clock

10: LSI oscillator clock used as the RTC clock

11: HSE oscillator clock divided by a programmable prescaler (selection through the RTCPRE[4:0] bits in the RCC clock configuration register (RCC_CFGR)) used as the RTC clock

Bits 7:3 Reserved, always read as 0.

Bit 2 **LSEBYP**: External low-speed oscillator bypass

Set and cleared by software to bypass oscillator. This bit can be written only when the LSE clock is disabled.

0: LSE oscillator not bypassed

1: LSE oscillator bypassed

Bit 1 **LSERDY**: External low-speed oscillator ready

Set and cleared by hardware to indicate when the external 32 kHz oscillator is stable. After the LSEON bit is cleared, LSERDY goes low after 6 external low-speed oscillator clock cycles.

0: LSE clock not ready

1: LSE clock ready

Bit 0 **LSEON**: External low-speed oscillator enable

Set and cleared by software.

0: LSE clock OFF

1: LSE clock ON

5.3.21 RCC clock control & status register (RCC_CSR)

Address offset: 0x74

Reset value: 0x0E00 0000, reset by system reset, except reset flags by power reset only.

Access: 0 ≤ wait state ≤ 3, word, half-word and byte access

Wait states are inserted in case of successive accesses to this register.

31	30	29	28	27	26	25	24	23	22	21	20	19	18	17	16
LPWR RSTF	WWDG RSTF	IWDG RSTF	SFT RSTF	POR RSTF	PIN RSTF	BORRS TF	RMVF	Reserved							
rw	rw	rw	rw	rw	rw	rw	rw								
15	14	13	12	11	10	9	8	7	6	5	4	3	2	1	0
Reserved													LSIRDY	LSION	
													r	rw	

- Bit 31 LPWRRSTF:** Low-power reset flag
 Set by hardware when a Low-power management reset occurs.
 Cleared by writing to the RMVF bit.
 0: No Low-power management reset occurred
 1: Low-power management reset occurred
 For further information on Low-power management reset, refer to [Low-power management reset](#).
- Bit 30 WWDGRSTF:** Window watchdog reset flag
 Set by hardware when a window watchdog reset occurs.
 Cleared by writing to the RMVF bit.
 0: No window watchdog reset occurred
 1: Window watchdog reset occurred
- Bit 29 IWDGRSTF:** Independent watchdog reset flag
 Set by hardware when an independent watchdog reset from V_{DD} domain occurs.
 Cleared by writing to the RMVF bit.
 0: No watchdog reset occurred
 1: Watchdog reset occurred
- Bit 28 SFTRSTF:** Software reset flag
 Set by hardware when a software reset occurs.
 Cleared by writing to the RMVF bit.
 0: No software reset occurred
 1: Software reset occurred
- Bit 27 PORRSTF:** POR/PDR reset flag
 Set by hardware when a POR/PDR reset occurs.
 Cleared by writing to the RMVF bit.
 0: No POR/PDR reset occurred
 1: POR/PDR reset occurred
- Bit 26 PINRSTF:** PIN reset flag
 Set by hardware when a reset from the NRST pin occurs.
 Cleared by writing to the RMVF bit.
 0: No reset from NRST pin occurred
 1: Reset from NRST pin occurred

Bit 25 **BORRSTF**: BOR reset flag
 Cleared by software by writing the RMVF bit.
 Set by hardware when a POR/PDR or BOR reset occurs.
 0: No POR/PDR or BOR reset occurred
 1: POR/PDR or BOR reset occurred

Bit 24 **RMVF**: Remove reset flag
 Set by software to clear the reset flags.
 0: No effect
 1: Clear the reset flags

Bits 23:2 Reserved, always read as 0.

Bit 1 **LSIRDY**: Internal low-speed oscillator ready
 Set and cleared by hardware to indicate when the internal RC 40 kHz oscillator is stable.
 After the LSION bit is cleared, LSIRDY goes low after 3 LSI clock cycles.
 0: LSI RC oscillator not ready
 1: LSI RC oscillator ready

Bit 0 **LSION**: Internal low-speed oscillator enable
 Set and cleared by software.
 0: LSI RC oscillator OFF
 1: LSI RC oscillator ON

5.3.22 RCC spread spectrum clock generation register (RCC_SSCGR)

Address offset: 0x80

Reset value: 0x0000 0000

Access: no wait state, word, half-word and byte access.

The spread spectrum clock generation is available only for the main PLL.

The RCC_SSCGR register must be written either before the main PLL is enabled or after the main PLL disabled.

Note: For full details about PLL spread spectrum clock generation (SSCG) characteristics, refer to the "Electrical characteristics" section in your device datasheet.

31	30	29	28	27	26	25	24	23	22	21	20	19	18	17	16
SSCG EN	SPR EAD SEL	Reserved			INCSTEP										
					r/w	r/w	r/w		r/w	r/w	r/w	r/w	r/w	r/w	r/w
15	14	13	12	11	10	9	8	7	6	5	4	3	2	1	0
INCSTEP			MODPER												
r/w	r/w	r/w	r/w	r/w	r/w	r/w	r/w	r/w	r/w	r/w	r/w	r/w	r/w	r/w	r/w

Bits 31 **SSCGEN**: Spread spectrum modulation enable
 Set and cleared by software.
 0: Spread spectrum modulation DISABLE. (To write after clearing CR[24]=PLLON bit)
 1: Spread spectrum modulation ENABLE. (To write before setting CR[24]=PLLON bit)

Bit 30 **SPREADSEL**: Spread Select
 Set and cleared by software.
 To write before to set CR[24]=PLLON bit.
 0: Center spread
 1: Down spread

Bit 29:28 Reserved

Bit 27:13 **INCSTEP**: Incrementation step
 Set and cleared by software. To write before setting CR[24]=PLLON bit.
 Configuration input for modulation profile amplitude.

Bit 12:0 **MODPER**: Modulation period
 Set and cleared by software. To write before setting CR[24]=PLLON bit.
 Configuration input for modulation profile period.

5.3.23 RCC PLLI2S configuration register (RCC_PLLI2SCFGR)

Address offset: 0x84

Reset value: 0x2000 3000

Access: no wait state, word, half-word and byte access.

This register is used to configure the PLLI2S clock outputs according to the formulas:

- $f_{(VCO\ clock)} = f_{(PLLI2S\ clock\ input)} \times (PLLI2SN / PLLM)$
- $f_{(PLL\ I2S\ clock\ output)} = f_{(VCO\ clock)} / PLLI2SR$

31	30	29	28	27	26	25	24	23	22	21	20	19	18	17	16
Reserv ed	PLLI2S R2	PLLI2S R1	PLLI2S R0	Reserved											
	rw	rw	rw												
15	14	13	12	11	10	9	8	7	6	5	4	3	2	1	0
Reserv ed	PLLI2SN 8	PLLI2SN 7	PLLI2SN 6	PLLI2SN 5	PLLI2SN 4	PLLI2SN 3	PLLI2SN 2	PLLI2SN 1	PLLI2SN 0	Reserved					
	rw	rw	rw	rw	rw	rw	rw	rw	rw						

Bit 31 Reserved, always read as 0.

Bits 30:28 **PLLI2SR**: PLLI2S division factor for I2S clocks

Set and cleared by software to control the I2S clock frequency. These bits should be written only if the PLLI2S is disabled. The factor must be chosen in accordance with the prescaler values inside the I2S peripherals, to reach 0.3% error when using standard crystals and 0% error with audio crystals. For more information about I2S clock frequency and precision, refer to [Section 25.4.3: Clock generator](#) in the I2S chapter.

Caution: The I2Ss requires a frequency lower than or equal to 192 MHz to work correctly.

I2S clock frequency = VCO frequency / PLLR with $2 \leq PLLR \leq 7$

000: PLLR = 0, wrong configuration

001: PLLR = 1, wrong configuration

010: PLLR = 2

...

111: PLLR = 7

Bits 27:15 Reserved, always read as 0.

Bits 14:6 **PLLI2SN**: PLLI2S multiplication factor for VCO

Set and cleared by software to control the multiplication factor of the VCO. These bits can be written only when the PLLI2S is disabled. Only half-word and word accesses are allowed to write these bits.

Caution: The software has to set these bits correctly to ensure that the VCO output frequency is between 192 and 432 MHz.

VCO output frequency = VCO input frequency × PLLI2SN with $192 \leq \text{PLLI2SN} \leq 432$

00000000: PLLI2SN = 0, wrong configuration

00000001: PLLI2SN = 1, wrong configuration

...

01100000: PLLI2SN = 192

01100001: PLLI2SN = 193

01100010: PLLI2SN = 194

...

11011000: PLLI2SN = 432

11011000: PLLI2SN = 433, wrong configuration

...

11111111: PLLI2SN = 511, wrong configuration

Bits 5:0 Reserved, always read as 0.

5.3.24 RCC register map

Table 13 gives the register map and reset values.

Table 13. RCC register map and reset values

Addr. offset	Register name	31	30	29	28	27	26	25	24	23	22	21	20	19	18	17	16	15	14	13	12	11	10	9	8	7	6	5	4	3	2	1	0		
0x00	RCC_CR	Reserved				PLL12SRDY	PLL12SON	PLL12RDY	PLL12ON	Reserved				CSSON	HSEBYP	HSERDY	HSEON	HSICAL7	HSICAL6	HSICAL5	HSICAL4	HSICAL3	HSICAL2	HSICAL1	HSICAL0	HSITRIM4	HSITRIM3	HSITRIM2	HSITRIM1	HSITRIM0	Reserved	HSIRDY	HSION		
0x04	RCC_PLLCFGR	Reserved				PLLQ3	PLLQ2	PLLQ1	PLLQ0	Reserved	PLLSRC	Reserved				Reserved	PLLP1	PLLP0	Reserved	Reserved	PLLN8	PLLN7	PLLN6	PLLN5	PLLN4	PLLN3	PLLN2	PLLN1	PLLN0	PLLM5	PLLM4	PLLM3	PLLM2	PLLM1	PLLM0
0x08	RCC_CFGR	MCO21	MCO20	MCO2PRE2	MCO2PRE1	MCO2PRE0	MCO1PRE2	MCO1PRE1	MCO1PRE0	I2SSRC	MCO11	MCO10	RTCPRE4	RTCPRE3	RTCPRE2	RTCPRE1	RTCPRE0	PPRE2	PPRE1	PPRE0	PPRE2	PPRE1	PPRE0	Reserved	Reserved	HPRE3	HPRE2	HPRE1	HPRE0	SWS1	SWS0	SW1	SW0		
0x0C	RCC_CIR	Reserved				Reserved				CSSC	Reserved	PLL12SRDYC	PLL12RDYC	HSERDYC	HSIRDYC	LSERDYC	LSIRDYC	Reserved	Reserved	PLL12SRDYIE	PLL12RDYIE	HSERDYIE	HSIRDYIE	LSERDYIE	LSIRDYIE	CSSF	Reserved	PLL12SRDYF	PLL12RDYF	HSERDYF	HSIRDYF	LSERDYF	LSIRDYF		
0x10	RCC_AHB1RSTR	Reserved	OTGHSRST	Reserved				ETHMACRST	Reserved	DMA2RST	DMA1RST	Reserved				CRCRST	Reserved				GPIORST	GPIORST	GPIORST	GPIORST	GPIORST	GPIORST	GPIORST	GPIORST	GPIORST	GPIORST	GPIORST	GPIORST	GPIORST	GPIORST	
0x14	RCC_AHB2RSTR	Reserved																OTGFSRST	RNGRST	HSABRST	CRYPST	Reserved				DCMRST									
0x18	RCC_AHB3RSTR	Reserved																Reserved										FSMCRST							
0x1C	Reserved	Reserved																																	
0x20	RCC_APB1RSTR	Reserved	DACRST	PWRST	Reserved	CAN2RST	CAN1RST	Reserved	I2C3RST	I2C2RST	I2C1RST	UART5RST	UART4RST	UART3RST	UART2RST	Reserved	SPI3RST	SPI2RST	Reserved	Reserved	WWDGRST	Reserved	Reserved	TIM14RST	TIM13RST	TIM12RST	TIM7RST	TIM6RST	TIM5RST	TIM4RST	TIM3RST	TIM2RST			
0x24	RCC_APB2RSTR	Reserved																TIM11RST	TIM10RST	TIM9RST	Reserved	SYSCFGST	Reserved	SPI1RST	SDIORST	Reserved	ADCRST	Reserved	USART6RST	USART1RST	Reserved	TIM8RST	TIM1RST		
0x28	Reserved	Reserved																																	
0x2C	Reserved	Reserved																																	
0x30	RCC_AHB1ENR	Reserved	OTGHSULPIEN	OTGHSEN	ETHMACPTPEN	ETHMACRXEN	ETHMACTXEN	ETHMACEN	Reserved	DMA2EN	DMA1EN	Reserved	BKPSRAMEN	Reserved				Reserved	Reserved	CRCEN	Reserved				GPIOEN	GPIOEN	GPIOEN	GPIOEN	GPIOEN	GPIOEN	GPIOEN	GPIOEN	GPIOEN	GPIOEN	GPIOEN



Table 13. RCC register map and reset values (continued)

Addr. offset	Register name	31	30	29	28	27	26	25	24	23	22	21	20	19	18	17	16	15	14	13	12	11	10	9	8	7	6	5	4	3	2	1	0
0x34	RCC_AHB2 ENR	Reserved																								OTGFSEN	RNGEN	HASHEN	CRYPEN	Reserved	DCMIEN		
0x38	RCC_AHB3 ENR	Reserved																											FSMCEN				
0x3C	Reserved	Reserved																															
0x40	RCC_APB1 ENR	Reserved	DACEN	PWREN	Reserved	CAN2EN	CAN1EN	Reserved	I2C3EN	I2C2EN	I2C1EN	UART5EN	UART4EN	USART3EN	USART2EN	Reserved	SPI3EN	SPI2EN	Reserved	WWDGEN	Reserved	TIM14EN	TIM13EN	TIM12EN	TIM7EN	TIM6EN	TIM5EN	TIM4EN	TIM3EN	TIM2EN			
0x44	RCC_APB2 ENR	Reserved													TIM11EN	TIM10EN	TIM9EN	Reserved	SPI3EN	SYSCFGEN	Reserved	SPI1EN	SDIOEN	ADC3EN	ADC2EN	ADC1EN	Reserved	USART6EN	USART1EN	Reserved	TIM8EN	TIM1EN	
0x48	Reserved	Reserved																															
0x4C	Reserved	Reserved																															
0x50	RCC_AHB1 LPENR	Reserved	OTGHSULPILPEN	OTGHSLPEN	ETHMACPTLPEN	ETHMACRXL PEN	ETHMACTXLPEN	ETHMACLPEN	Reserved	DMA2LPEN	DMA1LPEN	Reserved	BKPSRAMLPEN	SRAM2LPEN	SRAM1LPEN	FLITLPEN	Reserved	CRCLPEN	Reserved	GPIOILPEN	GPIOHLPEN	GPIOGLPEN	GPIOFLPEN	GPIOELPEN	GPIOILPEN	GPIOCLPEN	GPIOBLPEN	GPIOALPEN					
0x54	RCC_AHB2 LPENR	Reserved																								OTGFSLPEN	RNGLPEN	HASHLPEN	CRYP LPEN	Reserved	DCMILPEN		
0x58	RCC_AHB3 LPENR	Reserved																											FSMCLPEN				
0x5C	Reserved	Reserved																															
0x60	RCC_APB1 LPENR	Reserved	DACL PEN	PWR LPEN	Reserved	CAN2LPEN	CAN1LPEN	Reserved	I2C3LPEN	I2C2LPEN	I2C1LPEN	UART5LPEN	UART4LPEN	USART3LPEN	USART2LPEN	Reserved	SPI3LPEN	SPI2LPEN	Reserved	WWDGLPEN	Reserved	TIM14LPEN	TIM13LPEN	TIM12LPEN	TIM7LPEN	TIM6LPEN	TIM5LPEN	TIM4LPEN	TIM3LPEN	TIM2LPEN			
0x64	RCC_APB2 LPENR	Reserved													TIM11LPEN	TIM10LPEN	TIM9LPEN	Reserved	SPI3LPEN	SYSCFGLPEN	Reserved	SPI1LPEN	SDIOLPEN	ADC3LPEN	ADC2LPEN	ADC1LPEN	Reserved	USART6LPEN	USART1LPEN	Reserved	TIM8LPEN	TIM1LPEN	
0x68	Reserved	Reserved																															
0x6C	Reserved	Reserved																															
0x70	RCC_BDCR	Reserved															BD RST	RTCEN	Reserved	RTCSEL 1	RTCSEL 0	Reserved	LSEBYP	LSE R DY	LSEON								

Table 13. RCC register map and reset values (continued)

Addr. offset	Register name	31	30	29	28	27	26	25	24	23	22	21	20	19	18	17	16	15	14	13	12	11	10	9	8	7	6	5	4	3	2	1	0
0x74	RCC_CSR	LPWRRSTF	WWDGRSTF	WDGRSTF	SFTRSTF	PORRSTF	PADRSTF	BORRSTF	RMVF	Reserved																	LSIRDY	LSION					
0x78	Reserved	Reserved																															
0x7C	Reserved	Reserved																															
0x80	RCC_SSCGR	SSCGEN	SPREADSEL	Reserved		INCSTEP										MODPER																	
0x84	RCC_PLLI2SCFGR	Reserved	PLLI2S Rx		Reserved										PLLI2SNx					Reserved													

Refer to [Section 2.3 on page 51](#) for the register boundary addresses.

6 General-purpose I/Os (GPIO)

This section applies to the whole STM32F20x and STM32F21x family, unless otherwise specified.

6.1 GPIO introduction

Each general-purpose I/O port has four 32-bit configuration registers (GPIOx_MODER, GPIOx_OTYPER, GPIOx_OSPEEDR and GPIOx_PUPDR), two 32-bit data registers (GPIOx_IDR and GPIOx_ODR), a 32-bit set/reset register (GPIOx_BSRR), a 32-bit locking register (GPIOx_LCKR) and two 32-bit alternate function selection register (GPIOx_AFRH and GPIOx_AFRL).

6.2 GPIO main features

- Up to 16 I/Os under control
- Output states: push-pull or open drain + pull-up/down
- Output data from output data register (GPIOx_ODR) or peripheral (alternate function output)
- Speed selection for each I/O
- Input states: floating, pull-up/down, analog
- Input data to input data register (GPIOx_IDR) or peripheral (alternate function input)
- Bit set and reset register (GPIOx_BSRR) for bitwise write access to GPIOx_ODR
- Locking mechanism (GPIOx_LCKR) provided to freeze the I/O configuration
- Analog function
- Alternate function input/output selection registers (at most 16 AFs per I/O)
- Fast toggle capable of changing every two clock cycles
- Highly flexible pin multiplexing allows the use of I/O pins as GPIOs or as one of several peripheral functions

6.3 GPIO functional description

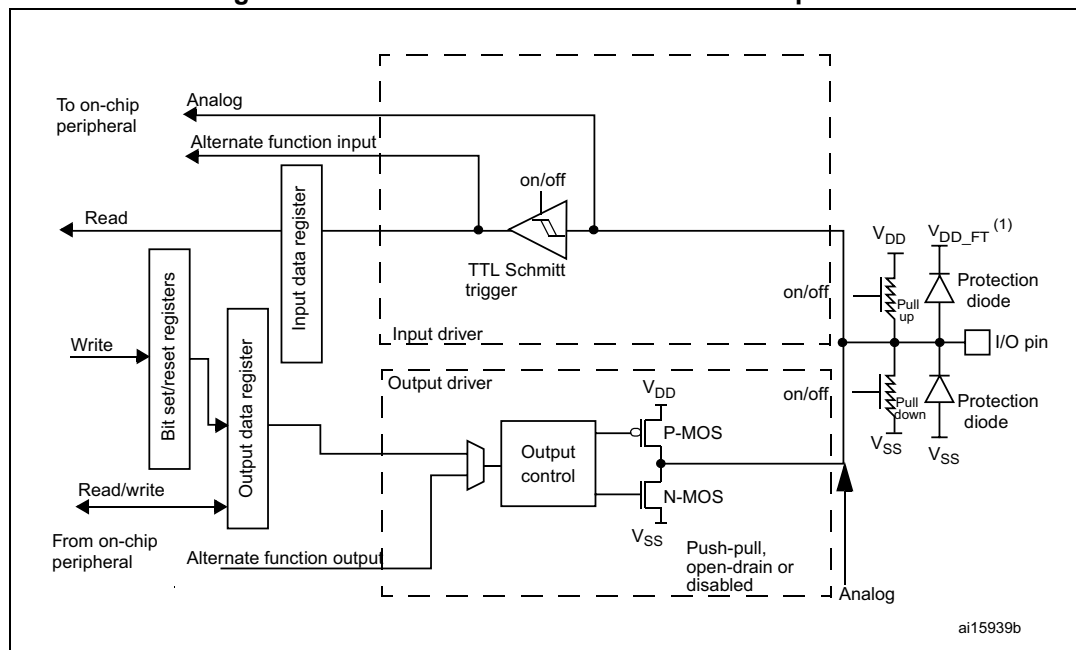
Subject to the specific hardware characteristics of each I/O port listed in the datasheet, each port bit of the general-purpose I/O (GPIO) ports can be individually configured by software in several modes:

- Input floating
- Input pull-up
- Input-pull-down
- Analog
- Output open-drain with pull-up or pull-down capability
- Output push-pull with pull-up or pull-down capability
- Alternate function push-pull with pull-up or pull-down capability
- Alternate function open-drain with pull-up or pull-down capability

Each I/O port bit is freely programmable, however the I/O port registers have to be accessed as 32-bit words, half-words or bytes. The purpose of the GPIOx_BSRR register is to allow atomic read/modify accesses to any of the GPIO registers. In this way, there is no risk of an IRQ occurring between the read and the modify access.

Figure 13 shows the basic structure of a 5 V-tolerant I/O port bit. Table 18 gives the possible port bit configurations.

Figure 13. Basic structure of a 5 V-tolerant I/O port bit



1. V_{DD_FT} is a potential specific to 5 V-tolerant I/Os and different from V_{DD} .

Table 14. Port bit configuration table⁽¹⁾

MODER(i) [1:0]	OTYPER(i)	OSPEEDR(i) [B:A]	PUPDR(i) [1:0]		I/O configuration		
01	0	SPEED [B:A]	0	0	GP output	PP	
	0		0	1	GP output	PP + PU	
	0		1	0	GP output	PP + PD	
	0		1	1	1	Reserved	
	1		0	0	0	GP output	OD
	1		0	1	1	GP output	OD + PU
	1		1	0	0	GP output	OD + PD
	1		1	1	1	Reserved (GP output OD)	

Table 14. Port bit configuration table⁽¹⁾ (continued)

MODER(i) [1:0]	OTYPER(i)	OSPEEDR(i) [B:A]		PUPDR(i) [1:0]		I/O configuration	
10	0	SPEED [B:A]		0	0	AF	PP
	0			0	1	AF	PP + PU
	0			1	0	AF	PP + PD
	0			1	1	Reserved	
	1			0	0	AF	OD
	1			0	1	AF	OD + PU
	1			1	0	AF	OD + PD
	1			1	1	Reserved	
00	x	x	x	0	0	Input	Floating
	x	x	x	0	1	Input	PU
	x	x	x	1	0	Input	PD
	x	x	x	1	1	Reserved (input floating)	
11	x	x	x	0	0	Input/output	Analog
	x	x	x	0	1	Reserved	
	x	x	x	1	0		
	x	x	x	1	1		

1. GP = general-purpose, PP = push-pull, PU = pull-up, PD = pull-down, OD = open-drain, AF = alternate function.

6.3.1 General-purpose I/O (GPIO)

During and just after reset, the alternate functions are not active and the I/O ports are configured in input floating mode.

The debug pins are in AF pull-up/pull-down after reset:

- PA15: JTDI in pull-up
- PA14: JTCK/SWCLK in pull-down
- PA13: JTMS/SWDAT in pull-up
- PB4: NJTRST in pull-up
- PB3: JTDO in floating state

When the pin is configured as output, the value written to the output data register (GPIOx_ODR) is output on the I/O pin. It is possible to use the output driver in push-pull mode or open-drain mode (only the N-MOS is activated when 0 is output).

The input data register (GPIOx_IDR) captures the data present on the I/O pin at every AHB1 clock cycle.

All GPIO pins have weak internal pull-up and pull-down resistors, which can be activated or not depending on the value in the GPIOx_PUPDR register.

6.3.2 I/O pin multiplexer and mapping

The microcontroller I/O pins are connected to onboard peripherals/modules through a multiplexer that allows only one peripheral's alternate function (AF) connected to an I/O pin at a time. In this way, there can be no conflict between peripherals sharing the same I/O pin.

Each I/O pin has a multiplexer with sixteen alternate function inputs (AF0 to AF15) that can be configured through the GPIOx_AFRL (for pin 0 to 7) and GPIOx_AFRH (for pin 8 to 15) registers:

- After reset all I/Os are connected to the system's alternate function 0 (AF0).
- The peripherals' alternate functions are mapped from AF1 to AF13.
- Cortex[®]-M3 output EVENTOUT signal can be used by configuring the I/O pin to output on AF15.
An event can be signaled through the configured pin after executing SEV assembly instruction. It can be used as internal trigger for some peripheral or externally on related GPIO.

This structure is shown in [Figure 14](#).

In addition to this flexible I/O multiplexing architecture, each peripheral has alternate functions mapped onto different I/O pins to optimize the number of peripherals available in smaller packages.

To use an I/O in a given configuration, proceed as follows:

- **System function**
Connect the I/O to AF0 and configure it depending on the function used:
 - JTAG/SWD, after each device reset these pins are assigned as dedicated pins immediately usable by the debugger host (not controlled by the GPIO controller)
 - RTC_50Hz: this pin should be configured in Input floating mode
 - MCO1 and MCO2: these pins have to be configured in alternate function mode.

Note: The user can disable some or all of the JTAG/SWD pins and so release the associated pins for GPIO usage (released pins highlighted in gray in the table).

For more details refer to [Section 5.2.10: Clock-out capability](#).

Table 15. Flexible SWJ-DP pin assignment

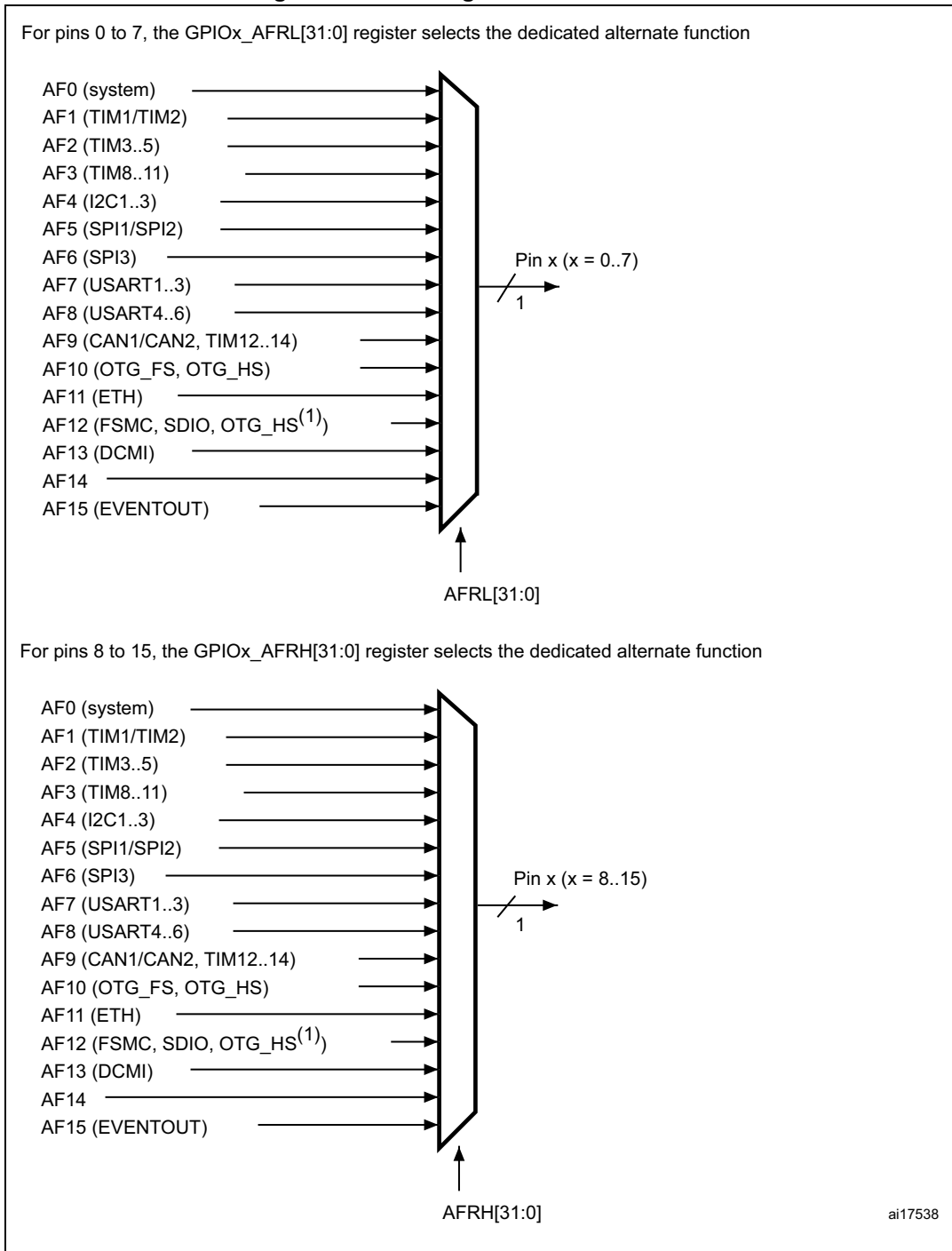
Available debug ports	SWJ I/O pin assigned				
	PA13/ JTMS/ SWDIO	PA14/ JTCK/ SWCLK	PA15/ JTDI	PB3/ JTDO	PB4/ NJTRST
Full SWJ (JTAG-DP + SW-DP) - Reset state	X	X	X	X	X
Full SWJ (JTAG-DP + SW-DP) but without NJTRST	X	X	X	X	
JTAG-DP disabled and SW-DP enabled	X	X			
JTAG-DP disabled and SW-DP disabled	Released				

- **GPIO**
Configure the desired I/O as output or input in the GPIOx_MODER register.
- **Peripheral alternate function**
For the ADC and DAC, configure the desired I/O as analog in the GPIOx_MODER register.
For other peripherals:
 - Configure the desired I/O as an alternate function in the GPIOx_MODER register
 - Select the type, pull-up/pull-down and output speed via the GPIOx_OTYPER, GPIOx_PUPDR and GPIOx_OSPEEDR registers, respectively
 - Connect the I/O to the desired AFx in the GPIOx_AFRL or GPIOx_AFRH register
- **EVENTOUT**
Configure the I/O pin used to output the Cortex®-M3 EVENTOUT signal by connecting it to AF15

Note: **EVENTOUT** is not mapped onto the following I/O pins: PC13, PC14, PC15, PH0, PH1 and PI8.

Refer to the “Alternate function mapping” table in the datasheets for the detailed mapping of the system and peripherals’ alternate function I/O pins.

Figure 14. Selecting an alternate function



1. Configured in FS.

6.3.3 I/O port control registers

Each of the GPIOs has four 32-bit memory-mapped control registers (GPIOx_MODER, GPIOx_OTYPER, GPIOx_OSPEEDR, GPIOx_PUPDR) to configure up to 16 I/Os.

The GPIOx_MODER register is used to select the I/O direction (input, output, AF, analog). The GPIOx_OTYPER and GPIOx_OSPEEDR registers are used to select the output type (push-pull or open-drain) and speed (the I/O speed pins are directly connected to the corresponding GPIOx_OSPEEDR register bits whatever the I/O direction). The GPIOx_PUPDR register is used to select the pull-up/pull-down whatever the I/O direction.

6.3.4 I/O port data registers

Each GPIO has two 16-bit memory-mapped data registers: input and output data registers (GPIOx_IDR and GPIOx_ODR). GPIOx_ODR stores the data to be output, it is read/write accessible. The data input through the I/O are stored into the input data register (GPIOx_IDR), a read-only register.

See [Section 6.4.5](#) and [Section 6.4.6](#) for the register descriptions.

6.3.5 I/O data bitwise handling

The bit set reset register (GPIOx_BSRR) is a 32-bit register which allows the application to set and reset each individual bit in the output data register (GPIOx_ODR). The bit set reset register has twice the size of GPIOx_ODR.

To each bit in GPIOx_ODR, correspond two control bits in GPIOx_BSRR: BSRR(i) and BSRR(i+SIZE). When written to 1, bit BSRR(i) sets the corresponding ODR(i) bit. When written to 1, bit BSRR(i+SIZE) resets the ODR(i) corresponding bit.

Writing any bit to 0 in GPIOx_BSRR does not have any effect on the corresponding bit in GPIOx_ODR. If there is an attempt to both set and reset a bit in GPIOx_BSRR, the set action takes priority.

Using the GPIOx_BSRR register to change the values of individual bits in GPIOx_ODR is a “one-shot” effect that does not lock the GPIOx_ODR bits. The GPIOx_ODR bits can always be accessed directly. The GPIOx_BSRR register provides a way of performing atomic bitwise handling.

There is no need for the software to disable interrupts when programming the GPIOx_ODR at bit level: it is possible to modify one or more bits in a single atomic AHB1 write access.

6.3.6 GPIO locking mechanism

It is possible to freeze the GPIO control registers by applying a specific write sequence to the GPIOx_LCKR register. The frozen registers are GPIOx_MODER, GPIOx_OTYPER, GPIOx_OSPEEDR, GPIOx_PUPDR, GPIOx_AFRL and GPIOx_AFRH.

To write the GPIOx_LCKR register, a specific write / read sequence has to be applied. When the right LOCK sequence is applied to bit 16 in this register, the value of LCKR[15:0] is used to lock the configuration of the I/Os (during the write sequence the LCKR[15:0] value must be the same). When the LOCK sequence has been applied to a port bit, the value of the port bit can no longer be modified until the next MCU or peripheral reset. Each GPIOx_LCKR bit freezes the corresponding bit in the control registers (GPIOx_MODER, GPIOx_OTYPER, GPIOx_OSPEEDR, GPIOx_PUPDR, GPIOx_AFRL and GPIOx_AFRH).

The LOCK sequence (refer to [Section 6.4.8: GPIO port configuration lock register \(GPIOx_LCKR\) \(x = A..I\)](#)) can only be performed using a word (32-bit long) access to the GPIOx_LCKR register due to the fact that GPIOx_LCKR bit 16 has to be set at the same time as the [15:0] bits.

For more details refer to LCKR register description in [Section 6.4.8](#).

6.3.7 I/O alternate function input/output

Two registers are provided to select one out of the sixteen alternate function inputs/outputs available for each I/O. With these registers, you can connect an alternate function to some other pin as required by your application.

This means that a number of possible peripheral functions are multiplexed on each GPIO using the GPIOx_AFRL and GPIOx_AFRH alternate function registers. The application can thus select any one of the possible functions for each I/O. The AF selection signal being common to the alternate function input and alternate function output, a single channel is selected for the alternate function input/output of one I/O.

To know which functions are multiplexed on each GPIO pin, refer to the datasheets.

Note: *The application is allowed to select one of the possible peripheral functions for each I/O at a time.*

6.3.8 External interrupt/wake-up lines

All ports have external interrupt capability. To use external interrupt lines, the port must be configured in input mode, refer to [Section 8.2: External interrupt/event controller \(EXTI\)](#) and [Section 8.2.3: Wake-up event management](#).

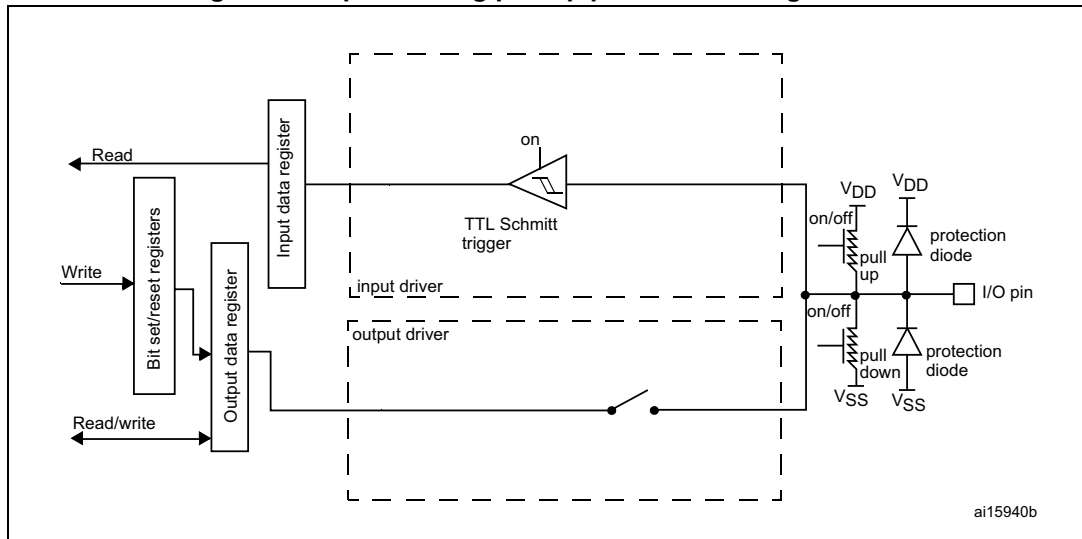
6.3.9 Input configuration

When the I/O port is programmed as Input:

- the output buffer is disabled
- the Schmitt trigger input is activated
- the pull-up and pull-down resistors are activated depending on the value in the GPIOx_PUPDR register
- The data present on the I/O pin are sampled into the input data register every AHB1 clock cycle
- A read access to the input data register provides the I/O State

[Figure 15](#) shows the input configuration of the I/O port bit.

Figure 15. Input floating/pull up/pull down configurations



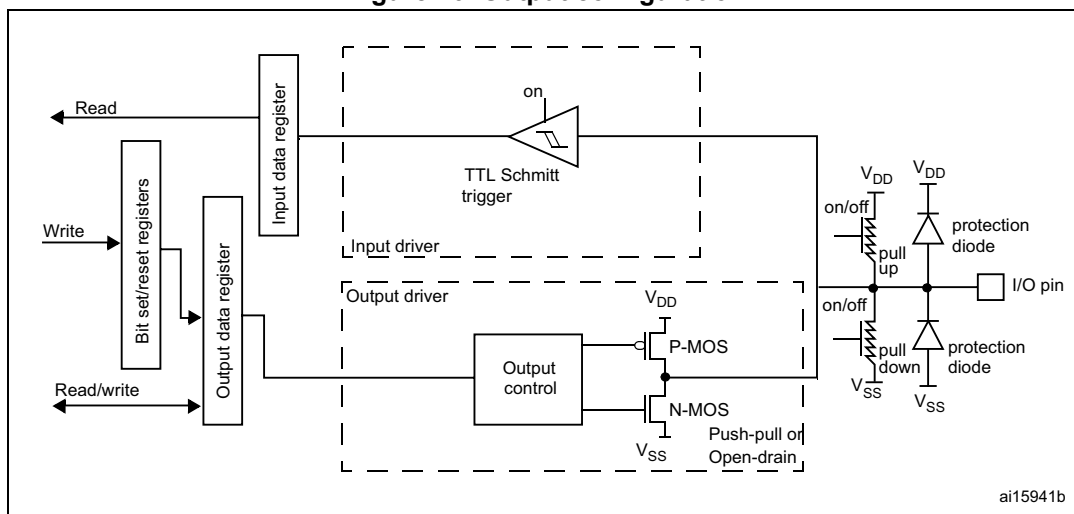
6.3.10 Output configuration

When the I/O port is programmed as output:

- The output buffer is enabled:
 - Open drain mode: A “0” in the Output register activates the N-MOS whereas a “1” in the Output register leaves the port in Hi-Z (the P-MOS is never activated)
 - Push-pull mode: A “0” in the Output register activates the N-MOS whereas a “1” in the Output register activates the P-MOS
- The Schmitt trigger input is activated
- The weak pull-up and pull-down resistors are activated or not depending on the value in the GPIOx_PUPDR register
- The data present on the I/O pin are sampled into the input data register every AHB1 clock cycle
- A read access to the input data register gets the I/O state
- A read access to the output data register gets the last written value

Figure 16 shows the output configuration of the I/O port bit.

Figure 16. Output configuration



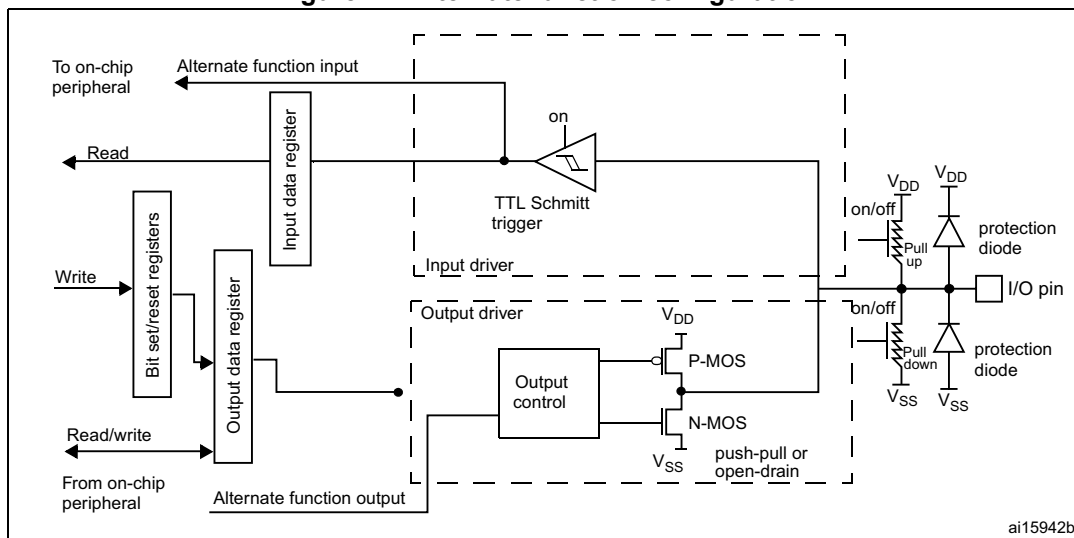
6.3.11 Alternate function configuration

When the I/O port is programmed as alternate function:

- The output buffer can be configured as open-drain or push-pull
- The output buffer is driven by the signal coming from the peripheral (transmitter enable and data)
- The Schmitt trigger input is activated
- The weak pull-up and pull-down resistors are activated or not depending on the value in the GPIOx_PUPDR register
- The data present on the I/O pin are sampled into the input data register every AHB1 clock cycle
- A read access to the input data register gets the I/O state

Figure 17 shows the Alternate function configuration of the I/O port bit.

Figure 17. Alternate function configuration



6.3.12 Analog configuration

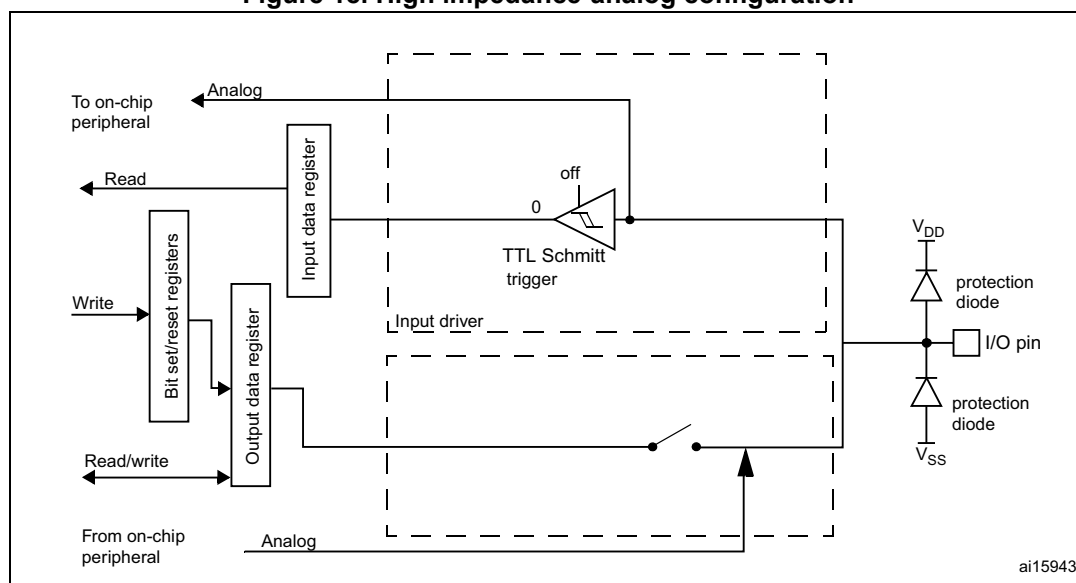
When the I/O port is programmed as analog configuration:

- The output buffer is disabled
- The Schmitt trigger input is deactivated, providing zero consumption for every analog value of the I/O pin. The output of the Schmitt trigger is forced to a constant value (0).
- The weak pull-up and pull-down resistors are disabled
- Read access to the input data register gets the value “0”

Note: In the analog configuration, the I/O pins cannot be 5 Volt tolerant.

Figure 18 shows the high-impedance, analog-input configuration of the I/O port bit.

Figure 18. High impedance-analog configuration



6.3.13 Using the OSC32_IN/OSC32_OUT pins as GPIO PC14/PC15 port pins

The LSE oscillator pins OSC32_IN and OSC32_OUT can be used as general-purpose PC14 and PC15 I/Os, respectively, when the LSE oscillator is off. The PC14 and PC15 I/Os are only configured as LSE oscillator pins OSC32_IN and OSC32_OUT when the LSE oscillator is ON. This is done by setting the LSEON bit in the RCC_BDCR register. The LSE has priority over the GPIO function.

Note: The PC14/PC15 GPIO functionality is lost when the 1.2 V domain is powered off (by the device entering the standby mode) or when the backup domain is supplied by V_{BAT} (V_{DD} no more supplied). In this case the I/Os are set in analog input mode.

6.3.14 Using the OSC_IN/OSC_OUT pins as GPIO PH0/PH1 port pins

The HSE oscillator pins OSC_IN/OSC_OUT can be used as general-purpose PH0/PH1 I/Os, respectively, when the HSE oscillator is OFF. (after reset, the HSE oscillator is off). The PH0/PH1 I/Os are only configured as OSC_IN/OSC_OUT HSE oscillator pins when the HSE oscillator is ON. This is done by setting the HSEON bit in the RCC_CR register. The HSE has priority over the GPIO function.

6.3.15 Selection of RTC_AF1 and RTC_AF2 alternate functions

The STM32F4xx feature two GPIO pins RTC_AF1 and RTC_AF2 that can be used for the detection of a tamper or time stamp event, or AFO_ALARM, or AFO_CALIB RTC outputs.

- The RTC_AF1 (PC13) can be used for the following purposes:

RTC AFO_ALARM output: this output can be RTC Alarm A, RTC Alarm B or RTC Wake-up depending on the OSEL[1:0] bits in the RTC_CR register

- RTC AFO_CALIB output: this feature is enabled by setting the COE[23] in the RTC_CR register
- RTC AFI_TAMPER1: tamper event detection
- RTC AFI_TIMESTAMP: time stamp event detection

The RTC_AF2 (PI8) can be used for the following purposes:

- RTC AFI_TAMPER1: tamper event detection
- RTC AFI_TAMPER2: tamper event detection
- RTC AFI_TIMESTAMP: time stamp event detection

The selection of the corresponding pin is performed through the RTC_TAFCR register as follows:

- TAMP1INSEL is used to select which pin is used as the AFI_TAMPER1 tamper input
- TSINSEL is used to select which pin is used as the AFI_TIMESTAMP time stamp input
- ALARMOUTTYPE is used to select whether the RTC AFO_ALARM is output in push-pull or open-drain mode

The output mechanism follows the priority order listed in [Table 16](#) and [Table 17](#).

Table 16. RTC_AF1 pin⁽¹⁾

Pin configuration and function	AFO_ALARM enabled	AFO_CALIB enabled	Tamper enabled	Time stamp enabled	TAMP1INSEL TAMPER1 pin selection	TSINSEL TIMESTAMP pin selection	ALARMOUTTYPE AFO_ALARM configuration
Alarm out output OD	1	Don't care	Don't care	Don't care	Don't care	Don't care	0
Alarm out output PP	1	Don't care	Don't care	Don't care	Don't care	Don't care	1
Calibration out output PP	0	1	Don't care	Don't care	Don't care	Don't care	Don't care
TAMPER1 input floating	0	0	1	0	0	Don't care	Don't care
TIMESTAMP and TAMPER1 input floating	0	0	1	1	0	0	Don't care
TIMESTAMP input floating	0	0	0	1	Don't care	0	Don't care
Standard GPIO	0	0	0	0	Don't care	Don't care	Don't care

1. OD: open drain; PP: push-pull.

Table 17. RTC_AF2 pin

Pin configuration and function	Tamper enabled	Time stamp enabled	TAMP1INSEL TAMPER1 pin selection	TSINSEL TIMESTAMP pin selection	ALARMOUTTYPE AFO_ALARM configuration
TAMPER1 input floating	1	0	1	Don't care	Don't care
TIMESTAMP and TAMPER1 input floating	1	1	1	1	Don't care
TIMESTAMP input floating	0	1	Don't care	1	Don't care
Standard GPIO	0	0	Don't care	Don't care	Don't care

6.4 GPIO registers

This section gives a detailed description of the GPIO registers.

For a summary of register bits, register address offsets and reset values, refer to [Table 18](#).

The GPIO registers can be accessed by byte (8 bits), half-words (16 bits) or words (32 bits).

6.4.1 GPIO port mode register (GPIOx_MODER) (x = A..I)

Address offset: 0x00

Reset values:

- 0xA800 0000 for port A
- 0x0000 0280 for port B
- 0x0000 0000 for other ports

31	30	29	28	27	26	25	24	23	22	21	20	19	18	17	16
MODER15[1:0]		MODER14[1:0]		MODER13[1:0]		MODER12[1:0]		MODER11[1:0]		MODER10[1:0]		MODER9[1:0]		MODER8[1:0]	
r/w	r/w	r/w	r/w	r/w	r/w	r/w	r/w	r/w	r/w	r/w	r/w	r/w	r/w	r/w	r/w
15	14	13	12	11	10	9	8	7	6	5	4	3	2	1	0
MODER7[1:0]		MODER6[1:0]		MODER5[1:0]		MODER4[1:0]		MODER3[1:0]		MODER2[1:0]		MODER1[1:0]		MODER0[1:0]	
r/w	r/w	r/w	r/w	r/w	r/w	r/w	r/w	r/w	r/w	r/w	r/w	r/w	r/w	r/w	r/w

Bits 2y:2y+1 **MODERy[1:0]**: Port x configuration bits (y = 0..15)

These bits are written by software to configure the I/O direction mode.

- 00: Input (reset state)
- 01: General purpose output mode
- 10: Alternate function mode
- 11: Analog mode

6.4.2 GPIO port output type register (GPIOx_OTYPER) (x = A..I)

Address offset: 0x04

Reset value: 0x0000 0000

31	30	29	28	27	26	25	24	23	22	21	20	19	18	17	16
Reserved															
15	14	13	12	11	10	9	8	7	6	5	4	3	2	1	0
OT15	OT14	OT13	OT12	OT11	OT10	OT9	OT8	OT7	OT6	OT5	OT4	OT3	OT2	OT1	OT0
r/w	r/w	r/w	r/w	r/w	r/w	r/w	r/w	r/w	r/w	r/w	r/w	r/w	r/w	r/w	r/w

Bits 31:16 Reserved, must be kept at reset value.

Bits 15:0 **OTy**: Port x configuration bits (y = 0..15)

These bits are written by software to configure the output type of the I/O port.

- 0: Output push-pull (reset state)
- 1: Output open-drain

6.4.3 GPIO port output speed register (GPIOx_OSPEEDR) (x = A..I)

Address offset: 0x08

Reset values:

- 0x0000 00C0 for port B
- 0x0000 0000 for other ports

31	30	29	28	27	26	25	24	23	22	21	20	19	18	17	16
OSPEEDR15 [1:0]		OSPEEDR14 [1:0]		OSPEEDR13 [1:0]		OSPEEDR12 [1:0]		OSPEEDR11 [1:0]		OSPEEDR10 [1:0]		OSPEEDR9 [1:0]		OSPEEDR8 [1:0]	
r/w	r/w	r/w	r/w	r/w	r/w	r/w	r/w	r/w	r/w	r/w	r/w	r/w	r/w	r/w	r/w
15	14	13	12	11	10	9	8	7	6	5	4	3	2	1	0
OSPEEDR7[1:0]		OSPEEDR6[1:0]		OSPEEDR5[1:0]		OSPEEDR4[1:0]		OSPEEDR3[1:0]		OSPEEDR2[1:0]		OSPEEDR1 [1:0]		OSPEEDR0 [1:0]	
r/w	r/w	r/w	r/w	r/w	r/w	r/w	r/w	r/w	r/w	r/w	r/w	r/w	r/w	r/w	r/w

Bits 2y:2y+1 **OSPEEDRy[1:0]**: Port x configuration bits (y = 0..15)

These bits are written by software to configure the I/O output speed.

- 00: Low speed
- 01: Medium speed
- 10: High speed
- 11: Very high speed

Note: Refer to the product datasheets for the values of OSPEEDRy bits versus V_{DD} range and external load.

6.4.4 GPIO port pull-up/pull-down register (GPIOx_PUPDR) (x = A..I)

Address offset: 0x0C

Reset values:

- 0x6400 0000 for port A
- 0x0000 0100 for port B
- 0x0000 0000 for other ports

31	30	29	28	27	26	25	24	23	22	21	20	19	18	17	16
PUPDR15[1:0]		PUPDR14[1:0]		PUPDR13[1:0]		PUPDR12[1:0]		PUPDR11[1:0]		PUPDR10[1:0]		PUPDR9[1:0]		PUPDR8[1:0]	
r/w	r/w	r/w	r/w	r/w	r/w	r/w	r/w	r/w	r/w	r/w	r/w	r/w	r/w	r/w	r/w
15	14	13	12	11	10	9	8	7	6	5	4	3	2	1	0
PUPDR7[1:0]		PUPDR6[1:0]		PUPDR5[1:0]		PUPDR4[1:0]		PUPDR3[1:0]		PUPDR2[1:0]		PUPDR1[1:0]		PUPDR0[1:0]	
r/w	r/w	r/w	r/w	r/w	r/w	r/w	r/w	r/w	r/w	r/w	r/w	r/w	r/w	r/w	r/w

Bits 2y:2y+1 **PUPDRy[1:0]**: Port x configuration bits (y = 0..15)

These bits are written by software to configure the I/O pull-up or pull-down

- 00: No pull-up, pull-down
- 01: Pull-up
- 10: Pull-down
- 11: Reserved

6.4.5 GPIO port input data register (GPIOx_IDR) (x = A..I)

Address offset: 0x10

Reset value: 0x0000 XXXX (where X means undefined)

31	30	29	28	27	26	25	24	23	22	21	20	19	18	17	16
Reserved															
15	14	13	12	11	10	9	8	7	6	5	4	3	2	1	0
IDR15	IDR14	IDR13	IDR12	IDR11	IDR10	IDR9	IDR8	IDR7	IDR6	IDR5	IDR4	IDR3	IDR2	IDR1	IDR0
r	r	r	r	r	r	r	r	r	r	r	r	r	r	r	r

Bits 31:16 Reserved, must be kept at reset value.

Bits 15:0 **IDRy**: Port input data (y = 0..15)

These bits are read-only and can be accessed in word mode only. They contain the input value of the corresponding I/O port.

6.4.6 GPIO port output data register (GPIOx_ODR) (x = A..I)

Address offset: 0x14

Reset value: 0x0000 0000

31	30	29	28	27	26	25	24	23	22	21	20	19	18	17	16
Reserved															
15	14	13	12	11	10	9	8	7	6	5	4	3	2	1	0
ODR15	ODR14	ODR13	ODR12	ODR11	ODR10	ODR9	ODR8	ODR7	ODR6	ODR5	ODR4	ODR3	ODR2	ODR1	ODR0
rw	rw	rw	rw	rw	rw	rw	rw	rw	rw	rw	rw	rw	rw	rw	rw

Bits 31:16 Reserved, must be kept at reset value.

Bits 15:0 **ODRy**: Port output data (y = 0..15)

These bits can be read and written by software.

Note: For atomic bit set/reset, the ODR bits can be individually set and reset by writing to the GPIOx_BSRR register (x = A..I).

6.4.7 GPIO port bit set/reset register (GPIOx_BSRR) (x = A..I)

Address offset: 0x18

Reset value: 0x0000 0000

31	30	29	28	27	26	25	24	23	22	21	20	19	18	17	16
BR15	BR14	BR13	BR12	BR11	BR10	BR9	BR8	BR7	BR6	BR5	BR4	BR3	BR2	BR1	BR0
w	w	w	w	w	w	w	w	w	w	w	w	w	w	w	w
15	14	13	12	11	10	9	8	7	6	5	4	3	2	1	0
BS15	BS14	BS13	BS12	BS11	BS10	BS9	BS8	BS7	BS6	BS5	BS4	BS3	BS2	BS1	BS0
w	w	w	w	w	w	w	w	w	w	w	w	w	w	w	w

Bits 31:16 **BRy**: Port x reset bit y (y = 0..15)

These bits are write-only and can be accessed in word, half-word or byte mode. A read to these bits returns the value 0x0000.

- 0: No action on the corresponding ODRx bit
- 1: Resets the corresponding ODRx bit

Note: If both BSx and BRx are set, BSx has priority.

Bits 15:0 **BSy**: Port x set bit y (y= 0..15)

These bits are write-only and can be accessed in word, half-word or byte mode. A read to these bits returns the value 0x0000.

- 0: No action on the corresponding ODRx bit
- 1: Sets the corresponding ODRx bit

6.4.8 GPIO port configuration lock register (GPIOx_LCKR) (x = A..I)

This register is used to lock the configuration of the port bits when a correct write sequence is applied to bit 16 (LCKK). The value of bits [15:0] is used to lock the configuration of the GPIO. During the write sequence, the value of LCKR[15:0] must not change. When the LOCK sequence has been applied on a port bit, the value of this port bit can no longer be modified until the next MCU or peripheral reset.

Note: A specific write sequence is used to write to the GPIOx_LCKR register. Only word access (32-bit long) is allowed during this write sequence.

Each lock bit freezes a specific configuration register (control and alternate function registers).

Address offset: 0x1C

Reset value: 0x0000 0000

Access: 32-bit word only, read/write register

31	30	29	28	27	26	25	24	23	22	21	20	19	18	17	16
Reserved															LCKK
															rw
15	14	13	12	11	10	9	8	7	6	5	4	3	2	1	0
LCK15	LCK14	LCK13	LCK12	LCK11	LCK10	LCK9	LCK8	LCK7	LCK6	LCK5	LCK4	LCK3	LCK2	LCK1	LCK0
rw	rw	rw	rw	rw	rw	rw	rw	rw	rw	rw	rw	rw	rw	rw	rw

Bits 31:17 Reserved, must be kept at reset value.

Bit 16 **LCKK[16]**: Lock key

This bit can be read any time. It can only be modified using the lock key write sequence.
 0: Port configuration lock key not active
 1: Port configuration lock key active. The GPIOx_LCKR register is locked until an MCU reset or a peripheral reset occurs.

LOCK key write sequence:

WR LCKR[16] = '1' + LCKR[15:0]

WR LCKR[16] = '0' + LCKR[15:0]

WR LCKR[16] = '1' + LCKR[15:0]

RD LCKR

RD LCKR[16] = '1' (this read operation is optional but it confirms that the lock is active)

Note: During the LOCK key write sequence, the value of LCK[15:0] must not change.

Any error in the lock sequence aborts the lock.

After the first lock sequence on any bit of the port, any read access on the LCKK bit returns '1' until the next CPU reset.

Bits 15:0 **LCKy**: Port x lock bit y (y= 0..15)

These bits are read/write but can only be written when the LCKK bit is '0.

0: Port configuration not locked

1: Port configuration locked

6.4.9 GPIO alternate function low register (GPIOx_AFRL) (x = A..I)

Address offset: 0x20

Reset value: 0x0000 0000

31	30	29	28	27	26	25	24	23	22	21	20	19	18	17	16
AFRL7[3:0]				AFRL6[3:0]				AFRL5[3:0]				AFRL4[3:0]			
rw	rw	rw	rw	rw	rw	rw	rw	rw	rw	rw	rw	rw	rw	rw	rw
15	14	13	12	11	10	9	8	7	6	5	4	3	2	1	0
AFRL3[3:0]				AFRL2[3:0]				AFRL1[3:0]				AFRL0[3:0]			
rw	rw	rw	rw	rw	rw	rw	rw	rw	rw	rw	rw	rw	rw	rw	rw

Bits 31:0 **AFRLy**: Alternate function selection for port x bit y (y = 0..7)

These bits are written by software to configure alternate function I/Os

AFRLy selection:

- | | |
|-----------|------------|
| 0000: AF0 | 1000: AF8 |
| 0001: AF1 | 1001: AF9 |
| 0010: AF2 | 1010: AF10 |
| 0011: AF3 | 1011: AF11 |
| 0100: AF4 | 1100: AF12 |
| 0101: AF5 | 1101: AF13 |
| 0110: AF6 | 1110: AF14 |
| 0111: AF7 | 1111: AF15 |



**6.4.10 GPIO alternate function high register (GPIOx_AFRH)
(x = A..I)**

Address offset: 0x24

Reset value: 0x0000 0000

31	30	29	28	27	26	25	24	23	22	21	20	19	18	17	16
AFRH15[3:0]				AFRH14[3:0]				AFRH13[3:0]				AFRH12[3:0]			
rw	rw	rw	rw	rw	rw	rw	rw	rw	rw	rw	rw	rw	rw	rw	rw
15	14	13	12	11	10	9	8	7	6	5	4	3	2	1	0
AFRH11[3:0]				AFRH10[3:0]				AFRH9[3:0]				AFRH8[3:0]			
rw	rw	rw	rw	rw	rw	rw	rw	rw	rw	rw	rw	rw	rw	rw	rw

Bits 31:0 **AFRH_y**: Alternate function selection for port x bit y (y = 8..15)

These bits are written by software to configure alternate function I/Os

AFRH_y selection:

0000: AF0	1000: AF8
0001: AF1	1001: AF9
0010: AF2	1010: AF10
0011: AF3	1011: AF11
0100: AF4	1100: AF12
0101: AF5	1101: AF13
0110: AF6	1110: AF14
0111: AF7	1111: AF15

6.4.11 GPIO register map

The following table gives the GPIO register map and the reset values.

Table 18. GPIO register map and reset values

Offset	Register	31	30	29	28	27	26	25	24	23	22	21	20	19	18	17	16	15	14	13	12	11	10	9	8	7	6	5	4	3	2	1	0
		0x00	GPIOA_MODER	MODER15[1:0]		MODER14[1:0]		MODER13[1:0]		MODER12[1:0]		MODER11[1:0]		MODER10[1:0]		MODER9[1:0]		MODER8[1:0]		MODER7[1:0]		MODER6[1:0]		MODER5[1:0]		MODER4[1:0]		MODER3[1:0]		MODER2[1:0]		MODER1[1:0]	
	Reset value	1	0	1	0	1	0	0	0	0	0	0	0	0	0	0	0	0	0	0	0	0	0	0	0	0	0	0	0	0	0	0	0
0x00	GPIOB_MODER	MODER15[1:0]		MODER14[1:0]		MODER13[1:0]		MODER12[1:0]		MODER11[1:0]		MODER10[1:0]		MODER9[1:0]		MODER8[1:0]		MODER7[1:0]		MODER6[1:0]		MODER5[1:0]		MODER4[1:0]		MODER3[1:0]		MODER2[1:0]		MODER1[1:0]		MODER0[1:0]	
	Reset value	0	0	0	0	0	0	0	0	0	0	0	0	0	0	0	0	0	0	0	0	0	0	1	0	1	0	0	0	0	0	0	0
0x00	GPIOx_MODER (where x = C..I)	MODER15[1:0]		MODER14[1:0]		MODER13[1:0]		MODER12[1:0]		MODER11[1:0]		MODER10[1:0]		MODER9[1:0]		MODER8[1:0]		MODER7[1:0]		MODER6[1:0]		MODER5[1:0]		MODER4[1:0]		MODER3[1:0]		MODER2[1:0]		MODER1[1:0]		MODER0[1:0]	
	Reset value	0	0	0	0	0	0	0	0	0	0	0	0	0	0	0	0	0	0	0	0	0	0	0	0	0	0	0	0	0	0	0	0
0x04	GPIOx_OTYPER (where x = A..I)	Reserved															OT15	OT14	OT13	OT12	OT11	OT10	OT9	OT8	OT7	OT6	OT5	OT4	OT3	OT2	OT1	OT0	
	Reset value																0	0	0	0	0	0	0	0	0	0	0	0	0	0	0	0	0
0x08	GPIOx_OSPEEDR (where x = A..I except B)	OSPEEDR15[1:0]		OSPEEDR14[1:0]		OSPEEDR13[1:0]		OSPEEDR12[1:0]		OSPEEDR11[1:0]		OSPEEDR10[1:0]		OSPEEDR9[1:0]		OSPEEDR8[1:0]		OSPEEDR7[1:0]		OSPEEDR6[1:0]		OSPEEDR5[1:0]		OSPEEDR4[1:0]		OSPEEDR3[1:0]		OSPEEDR2[1:0]		OSPEEDR1[1:0]		OSPEEDR0[1:0]	
	Reset value	0	0	0	0	0	0	0	0	0	0	0	0	0	0	0	0	0	0	0	0	0	0	0	0	0	0	0	0	0	0	0	
0x08	GPIOB_OSPEEDR	OSPEEDR15[1:0]		OSPEEDR14[1:0]		OSPEEDR13[1:0]		OSPEEDR12[1:0]		OSPEEDR11[1:0]		OSPEEDR10[1:0]		OSPEEDR9[1:0]		OSPEEDR8[1:0]		OSPEEDR7[1:0]		OSPEEDR6[1:0]		OSPEEDR5[1:0]		OSPEEDR4[1:0]		OSPEEDR3[1:0]		OSPEEDR2[1:0]		OSPEEDR1[1:0]		OSPEEDR0[1:0]	
	Reset value	0	0	0	0	0	0	0	0	0	0	0	0	0	0	0	0	0	0	0	0	0	0	0	0	0	0	0	0	0	0	0	
0x0C	GPIOA_PUPDR	PUPDR15[1:0]		PUPDR14[1:0]		PUPDR13[1:0]		PUPDR12[1:0]		PUPDR11[1:0]		PUPDR10[1:0]		PUPDR9[1:0]		PUPDR8[1:0]		PUPDR7[1:0]		PUPDR6[1:0]		PUPDR5[1:0]		PUPDR4[1:0]		PUPDR3[1:0]		PUPDR2[1:0]		PUPDR1[1:0]		PUPDR0[1:0]	
	Reset value	0	1	1	0	0	1	0	0	0	0	0	0	0	0	0	0	0	0	0	0	0	0	0	0	0	0	0	0	0	0	0	
0x0C	GPIOB_PUPDR	PUPDR15[1:0]		PUPDR14[1:0]		PUPDR13[1:0]		PUPDR12[1:0]		PUPDR11[1:0]		PUPDR10[1:0]		PUPDR9[1:0]		PUPDR8[1:0]		PUPDR7[1:0]		PUPDR6[1:0]		PUPDR5[1:0]		PUPDR4[1:0]		PUPDR3[1:0]		PUPDR2[1:0]		PUPDR1[1:0]		PUPDR0[1:0]	
	Reset value	0	0	0	0	0	0	0	0	0	0	0	0	0	0	0	0	0	0	0	0	0	0	0	0	1	0	0	0	0	0	0	



Table 18. GPIO register map and reset values (continued)

Offset	Register	31	30	29	28	27	26	25	24	23	22	21	20	19	18	17	16	15	14	13	12	11	10	9	8	7	6	5	4	3	2	1	0	
0x0C	GPIOx_PUPDR (where x = C..I)	PUPDR15[1:0]		PUPDR14[1:0]		PUPDR13[1:0]		PUPDR12[1:0]		PUPDR11[1:0]		PUPDR10[1:0]		PUPDR9[1:0]		PUPDR8[1:0]		PUPDR7[1:0]		PUPDR6[1:0]		PUPDR5[1:0]		PUPDR4[1:0]		PUPDR3[1:0]		PUPDR2[1:0]		PUPDR1[1:0]		PUPDR0[1:0]		
	Reset value	0	0	0	0	0	0	0	0	0	0	0	0	0	0	0	0	0	0	0	0	0	0	0	0	0	0	0	0	0	0	0	0	
0x10	GPIOx_IDR (where x = A..I)	Reserved																IDR15	IDR14	IDR13	IDR12	IDR11	IDR10	IDR9	IDR8	IDR7	IDR6	IDR5	IDR4	IDR3	IDR2	IDR1	IDR0	
	Reset value																	x	x	x	x	x	x	x	x	x	x	x	x	x	x	x	x	x
0x14	GPIOx_ODR (where x = A..I)	Reserved																ODR15	ODR14	ODR13	ODR12	ODR11	ODR10	ODR9	ODR8	ODR7	ODR6	ODR5	ODR4	ODR3	ODR2	ODR1	ODR0	
	Reset value																	0	0	0	0	0	0	0	0	0	0	0	0	0	0	0	0	0
0x18	GPIOx_BSRR (where x = A..I)	BR15	BR14	BR13	BR12	BR11	BR10	BR9	BR8	BR7	BR6	BR5	BR4	BR3	BR2	BR1	BR0	BS15	BS14	BS13	BS12	BS11	BS10	BS9	BS8	BS7	BS6	BS5	BS4	BS3	BS2	BS1	BS0	
	Reset value	0	0	0	0	0	0	0	0	0	0	0	0	0	0	0	0	0	0	0	0	0	0	0	0	0	0	0	0	0	0	0	0	
0x1C	GPIOx_LCKR (where x = A..I)	Reserved																LCKK	LCK15	LCK14	LCK13	LCK12	LCK11	LCK10	LCK9	LCK8	LCK7	LCK6	LCK5	LCK4	LCK3	LCK2	LCK1	LCK0
	Reset value																	0	0	0	0	0	0	0	0	0	0	0	0	0	0	0	0	0
0x20	GPIOx_AFRL (where x = A..I)	AFRL7[3:0]				AFRL6[3:0]				AFRL5[3:0]				AFRL4[3:0]				AFRL3[3:0]				AFRL2[3:0]				AFRL1[3:0]				AFRL0[3:0]				
	Reset value	0	0	0	0	0	0	0	0	0	0	0	0	0	0	0	0	0	0	0	0	0	0	0	0	0	0	0	0	0	0	0	0	0
0x24	GPIOx_AFRH (where x = A..I)	AFRH15[3:0]				AFRH14[3:0]				AFRH13[3:0]				AFRH12[3:0]				AFRH11[3:0]				AFRH10[3:0]				AFRH9[3:0]				AFRH8[3:0]				
	Reset value	0	0	0	0	0	0	0	0	0	0	0	0	0	0	0	0	0	0	0	0	0	0	0	0	0	0	0	0	0	0	0	0	0

Refer to [Section 2.3: Memory map](#) for the register boundary addresses.

7 System configuration controller (SYSCFG)

The system configuration controller is mainly used to remap the memory accessible in the code area, select the Ethernet PHY interface and manage the external interrupt line connection to the GPIOs.

7.1 I/O compensation cell

By default the I/O compensation cell is not used. However when the I/O output buffer speed is configured in 50 MHz or 100 MHz mode, it is recommended to use the compensation cell for slew rate control on I/O $t_{r(I/O)out}/t_{r(I/O)out}$ commutation to reduce the I/O noise on power supply.

When the compensation cell is enabled, a READY flag is set to indicate that the compensation cell is ready and can be used. The I/O compensation cell can be used only when the supply voltage ranges from 2.4 to 3.6 V.

7.2 SYSCFG registers

The SYSCFG registers have to be accessed by words (32 bits).

7.2.1 SYSCFG memory remap register (SYSCFG_MEMRMP)

This register is used for specific configurations on memory remap:

- Two bits are used to configure the type of memory accessible at address 0x0000 0000. These bits are used to select the physical remap by software and so, bypass the BOOT pins.
- After reset these bits take the value selected by the BOOT pins. When booting from main Flash memory with BOOT pins set to 10 [(BOOT1,BOOT0) = (1,0)] this register takes the value 0x00.

When the FSMC is remapped at address 0x0000 0000, only the first two regions of Bank 1 memory controller (Bank1 NOR/PSRAM 1 and NOR/PSRAM 2) can be remapped. In remap mode, the CPU can access the external memory via ICode bus instead of System bus which boosts up the performance. However, in remap mode, the FSMC addressing is fixed to the remap address area only (Bank1 NOR/PSRAM 1 and NOR/PSRAM 2) and FSMC control registers are not accessible. The FSMC remap function must be disabled to allows addressing other memory devices through the FSMC and/or to access FSMC control registers

Address offset: 0x00

Reset value: 0x0000 000X (X is the memory mode selected by the BOOT pins)

31	30	29	28	27	26	25	24	23	22	21	20	19	18	17	16
Reserved															
15	14	13	12	11	10	9	8	7	6	5	4	3	2	1	0
Reserved														MEM_MODE	
														rw	rw

Bits 31:2 Reserved

Bits 1:0 **MEM_MODE**: Memory mapping selection

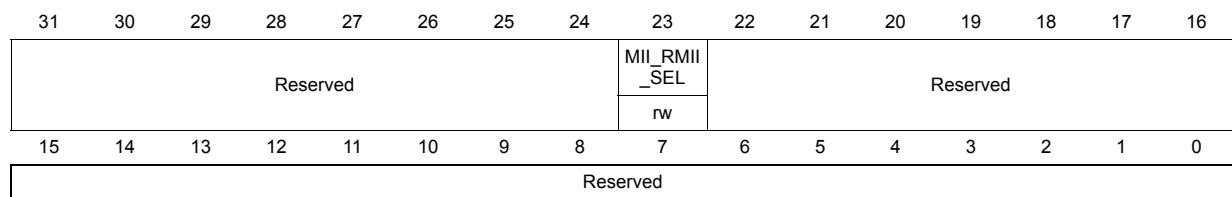
Set and cleared by software. This bit controls the memory internal mapping at address 0x0000 0000. After reset these bits take on the memory mapping selected by the BOOT pins.

- 00: Main Flash memory mapped at 0x0000 0000
- 01: System Flash memory mapped at 0x0000 0000
- 10: FSMC Bank1 (NOR/PSRAM 1 and 2) mapped at 0x0000 0000
- 11: Embedded SRAM (112kB) mapped at 0x0000 0000

7.2.2 SYSCFG peripheral mode configuration register (SYSCFG_PMC)

Address offset: 0x04

Reset value: 0x0000 0000



Bits 31:24 Reserved

Bit 23 **MII_RMII_SEL**: Ethernet PHY interface selection

Set and Cleared by software. These bits control the PHY interface for the Ethernet MAC.

- 0: MII interface is selected
- 1: RMII PHY interface is selected

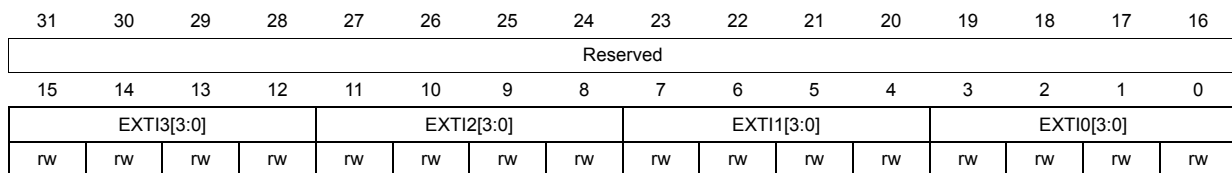
Note: This configuration must be done while the MAC is under reset and before enabling the MAC clocks.

Bits 22:0 Reserved

7.2.3 SYSCFG external interrupt configuration register 1 (SYSCFG_EXTICR1)

Address offset: 0x08

Reset value: 0x0000



Bits 31:16 Reserved

Bits 15:0 **EXTIx[3:0]**: EXTI x configuration (x = 0 to 3)

These bits are written by software to select the source input for the EXTIx external interrupt.

- 0000: PA[x] pin
- 0001: PB[x] pin
- 0010: PC[x] pin
- 0011: PD[x] pin
- 0100: PE[x] pin
- 0101: PF[C] pin
- 0110: PG[x] pin
- 0111: PH[x] pin
- 1000: PI[x] pin

7.2.4 SYSCFG external interrupt configuration register 2 (SYSCFG_EXTICR2)

Address offset: 0x0C

Reset value: 0x0000

31	30	29	28	27	26	25	24	23	22	21	20	19	18	17	16
Reserved															
15	14	13	12	11	10	9	8	7	6	5	4	3	2	1	0
EXTI7[3:0]				EXTI6[3:0]				EXTI5[3:0]				EXTI4[3:0]			
rw	rw	rw	rw	rw	rw	rw	rw	rw	rw	rw	rw	rw	rw	rw	rw

Bits 31:16 Reserved

Bits 15:0 **EXTIx[3:0]**: EXTI x configuration (x = 4 to 7)

These bits are written by software to select the source input for the EXTIx external interrupt.

- 0000: PA[x] pin
- 0001: PB[x] pin
- 0010: PC[x] pin
- 0011: PD[x] pin
- 0100: PE[x] pin
- 0101: PF[x] pin
- 0110: PG[x] pin
- 0111: PH[x] pin
- 1000: PI[x] pin

7.2.5 SYSCFG external interrupt configuration register 3 (SYSCFG_EXTICR3)

Address offset: 0x10

Reset value: 0x0000

31	30	29	28	27	26	25	24	23	22	21	20	19	18	17	16
Reserved															
15	14	13	12	11	10	9	8	7	6	5	4	3	2	1	0
EXTI11[3:0]				EXTI10[3:0]				EXTI9[3:0]				EXTI8[3:0]			
rw	rw	rw	rw	rw	rw	rw	rw	rw	rw	rw	rw	rw	rw	rw	rw

Bits 31:16 Reserved

Bits 15:0 **EXTIx[3:0]**: EXTI x configuration (x = 8 to 11)

These bits are written by software to select the source input for the EXTIx external interrupt.

- 0000: PA[x] pin
- 0001: PB[x] pin
- 0010: PC[x] pin
- 0011: PD[x] pin
- 0100: PE[x] pin
- 0101: PF[x] pin
- 0110: PG[x] pin
- 0111: PH[x] pin
- 1000: PI[x] pin

7.2.6 SYSCFG external interrupt configuration register 4 (SYSCFG_EXTICR4)

Address offset: 0x14

Reset value: 0x0000

31	30	29	28	27	26	25	24	23	22	21	20	19	18	17	16
Reserved															
15	14	13	12	11	10	9	8	7	6	5	4	3	2	1	0
EXTI15[3:0]				EXTI14[3:0]				EXTI13[3:0]				EXTI12[3:0]			
rw	rw	rw	rw	rw	rw	rw	rw	rw	rw	rw	rw	rw	rw	rw	rw

Bits 31:16 Reserved

Bits 15:0 **EXTIx[3:0]**: EXTI x configuration (x = 12 to 15)

These bits are written by software to select the source input for the EXTIx external interrupt.

- 0000: PA[x] pin
- 0001: PB[x] pin
- 0010: PC[x] pin
- 0011: PD[x] pin
- 0100: PE[x] pin
- 0101: PF[x] pin
- 0110: PG[x] pin
- 0111: PH[x] pin

Note: PI[15:12] are not used.

7.2.7 Compensation cell control register (SYSCFG_CMPCR)

Address offset: 0x20

Reset value: 0x0000 0000

31	30	29	28	27	26	25	24	23	22	21	20	19	18	17	16
Reserved															
15	14	13	12	11	10	9	8	7	6	5	4	3	2	1	0
Reserved								READY	Reserved						CMP_PD
								r							rw

- Bits 31:9 Reserved
- Bit 8 **READY**: Compensation cell ready flag
 - 0: I/O compensation cell not ready
 - 1: O compensation cell ready
- Bits 7:2 Reserved
- Bit 0 **CMP_PD**: Compensation cell power-down
 - 0: I/O compensation cell power-down mode
 - 1: I/O compensation cell enabled

7.2.8 SYSCFG register map

The following table gives the SYSCFG register map and the reset values.

Table 19. SYSCFG register map and reset values

Off-set	Register	31	30	29	28	27	26	25	24	23	22	21	20	19	18	17	16	15	14	13	12	11	10	9	8	7	6	5	4	3	2	1	0
0x00	SYSCFG_MEMRM Reset value	Reserved																										MEM_MODE	x	x			
0x04	SYSCFG_PMC Reset value	Reserved										MIL_RMII_SEL	Reserved																0				
0x08	SYSCFG_EXTICR1 Reset value	Reserved										EXTI3[3:0]				EXTI2[3:0]				EXTI1[3:0]				EXTI0[3:0]				0	0	0	0		
0x0C	SYSCFG_EXTICR2 Reset value	Reserved										EXTI7[3:0]				EXTI6[3:0]				EXTI5[3:0]				EXTI4[3:0]				0	0	0	0		
0x10	SYSCFG_EXTICR3 Reset value	Reserved										EXTI11[3:0]				EXTI10[3:0]				EXTI9[3:0]				EXTI8[3:0]				0	0	0	0		
0x14	SYSCFG_EXTICR4 Reset value	Reserved										EXTI15[3:0]				EXTI14[3:0]				EXTI13[3:0]				EXTI12[3:0]				0	0	0	0		
0x20	SYSCFG_CMPCR Reset value	Reserved																						READY	Reserved						CMP_PD	0	

Refer to [Section 2.3 on page 51](#) for the register boundary addresses.x



8 Interrupts and events

This Section applies to the whole STM32F20x and STM32F21x family, unless otherwise specified.

8.1 Nested vectored interrupt controller (NVIC)

8.1.1 NVIC features

The nested vector interrupt controller NVIC includes the following features:

- 81 maskable interrupt channels (not including the 16 interrupt lines of Cortex[®]-M3)
- 16 programmable priority levels (4 bits of interrupt priority are used)
- low-latency exception and interrupt handling
- power management control
- implementation of system control registers

The NVIC and the processor core interface are closely coupled, which enables low latency interrupt processing and efficient processing of late arriving interrupts.

All interrupts including the core exceptions are managed by the NVIC. For more information on exceptions and NVIC programming, refer to PM0056 programming manual.

8.1.2 SysTick calibration value register

The SysTick calibration value is fixed to 15000, which gives a reference time base of 1 ms with the SysTick clock set to 15 MHz (max HCLK/8).

8.1.3 Interrupt and exception vectors

[Table 20](#) is the vector table for the STM32F20x and STM32F21x devices.

Table 20. Vector table

Position	Priority	Type of priority	Acronym	Description	Address
	-	-	-	Reserved	0x0000_0000
	-3	Fixed	Reset	Reset	0x0000_0004
	-2	Fixed	NMI	Non maskable interrupt. The RCC Clock Security System (CSS) is linked to the NMI vector.	0x0000_0008
	-1	Fixed	HardFault	All class of fault	0x0000_000C
	0	Settable	MemManage	Memory management	0x0000_0010

Table 20. Vector table (continued)

Position	Priority	Type of priority	Acronym	Description	Address
	1	Settable	BusFault	Pre-fetch fault, memory access fault	0x0000_0014
	2	Settable	UsageFault	Undefined instruction or illegal state	0x0000_0018
	-	-	-	Reserved	0x0000_001C - 0x0000_002B
	3	Settable	SVCall	System service call via SWI instruction	0x0000_002C
	4	Settable	Debug Monitor	Debug Monitor	0x0000_0030
	-	-	-	Reserved	0x0000_0034
	5	Settable	PendSV	Pendable request for system service	0x0000_0038
	6	Settable	SysTick	System tick timer	0x0000_003C
0	7	Settable	WWDG	Window Watchdog interrupt	0x0000_0040
1	8	Settable	PVD	PVD through EXTI line detection interrupt	0x0000_0044
2	9	Settable	TAMP_STAMP	Tamper and TimeStamp interrupts through the EXTI line	0x0000_0048
3	10	Settable	RTC_WKUP	RTC wake-up interrupt through the EXTI line	0x0000_004C
4	11	Settable	FLASH	Flash global interrupt	0x0000_0050
5	12	Settable	RCC	RCC global interrupt	0x0000_0054
6	13	Settable	EXTI0	EXTI Line0 interrupt	0x0000_0058
7	14	Settable	EXTI1	EXTI Line1 interrupt	0x0000_005C
8	15	Settable	EXTI2	EXTI Line2 interrupt	0x0000_0060
9	16	Settable	EXTI3	EXTI Line3 interrupt	0x0000_0064
10	17	Settable	EXTI4	EXTI Line4 interrupt	0x0000_0068
11	18	Settable	DMA1_Stream0	DMA1 Stream0 global interrupt	0x0000_006C
12	19	Settable	DMA1_Stream1	DMA1 Stream1 global interrupt	0x0000_0070
13	20	Settable	DMA1_Stream2	DMA1 Stream2 global interrupt	0x0000_0074
14	21	Settable	DMA1_Stream3	DMA1 Stream3 global interrupt	0x0000_0078
15	22	Settable	DMA1_Stream4	DMA1 Stream4 global interrupt	0x0000_007C
16	23	Settable	DMA1_Stream5	DMA1 Stream5 global interrupt	0x0000_0080
17	24	Settable	DMA1_Stream6	DMA1 Stream6 global interrupt	0x0000_0084

Table 20. Vector table (continued)

Position	Priority	Type of priority	Acronym	Description	Address
18	25	Settable	ADC	ADC1, ADC2 and ADC3 global interrupts	0x0000_0088
19	26	Settable	CAN1_TX	CAN1 TX interrupts	0x0000_008C
20	27	Settable	CAN1_RX0	CAN1 RX0 interrupts	0x0000_0090
21	28	Settable	CAN1_RX1	CAN1 RX1 interrupt	0x0000_0094
22	29	Settable	CAN1_SCE	CAN1 SCE interrupt	0x0000_0098
23	30	Settable	EXTI9_5	EXTI Line[9:5] interrupts	0x0000_009C
24	31	Settable	TIM1_BRK_TIM9	TIM1 Break interrupt and TIM9 global interrupt	0x0000_00A0
25	32	Settable	TIM1_UP_TIM10	TIM1 Update interrupt and TIM10 global interrupt	0x0000_00A4
26	33	Settable	TIM1_TRG_COM_TIM11	TIM1 Trigger and Commutation interrupts and TIM11 global interrupt	0x0000_00A8
27	34	Settable	TIM1_CC	TIM1 Capture Compare interrupt	0x0000_00AC
28	35	Settable	TIM2	TIM2 global interrupt	0x0000_00B0
29	36	Settable	TIM3	TIM3 global interrupt	0x0000_00B4
30	37	Settable	TIM4	TIM4 global interrupt	0x0000_00B8
31	38	Settable	I2C1_EV	I ² C1 event interrupt	0x0000_00BC
32	39	Settable	I2C1_ER	I ² C1 error interrupt	0x0000_00C0
33	40	Settable	I2C2_EV	I ² C2 event interrupt	0x0000_00C4
34	41	Settable	I2C2_ER	I ² C2 error interrupt	0x0000_00C8
35	42	Settable	SPI1	SPI1 global interrupt	0x0000_00CC
36	43	Settable	SPI2	SPI2 global interrupt	0x0000_00D0
37	44	Settable	USART1	USART1 global interrupt	0x0000_00D4
38	45	Settable	USART2	USART2 global interrupt	0x0000_00D8
39	46	Settable	USART3	USART3 global interrupt	0x0000_00DC
40	47	Settable	EXTI15_10	EXTI Line[15:10] interrupts	0x0000_00E0
41	48	Settable	RTC_Alarm	RTC Alarms (A and B) through EXTI line interrupt	0x0000_00E4
42	49	Settable	OTG_FS_WKUP	USB On-The-Go FS wake-up through EXTI line interrupt	0x0000_00E8
43	50	Settable	TIM8_BRK_TIM12	TIM8 Break interrupt and TIM12 global interrupt	0x0000_00EC

Table 20. Vector table (continued)

Position	Priority	Type of priority	Acronym	Description	Address
44	51	Settable	TIM8_UP_TIM13	TIM8 Update interrupt and TIM13 global interrupt	0x0000_00F0
45	52	Settable	TIM8_TRG_COM_TIM14	TIM8 Trigger and Commutation interrupts and TIM14 global interrupt	0x0000_00F4
46	53	Settable	TIM8_CC	TIM8 Capture Compare interrupt	0x0000_00F8
47	54	Settable	DMA1_Stream7	DMA1 Stream7 global interrupt	0x0000_00FC
48	55	Settable	FSMC	FSMC global interrupt	0x0000_0100
49	56	Settable	SDIO	SDIO global interrupt	0x0000_0104
50	57	Settable	TIM5	TIM5 global interrupt	0x0000_0108
51	58	Settable	SPI3	SPI3 global interrupt	0x0000_010C
52	59	Settable	UART4	UART4 global interrupt	0x0000_0110
53	60	Settable	UART5	UART5 global interrupt	0x0000_0114
54	61	Settable	TIM6_DAC	TIM6 global interrupt, DAC1 and DAC2 underrun error interrupts	0x0000_0118
55	62	Settable	TIM7	TIM7 global interrupt	0x0000_011C
56	63	Settable	DMA2_Stream0	DMA2 Stream0 global interrupt	0x0000_0120
57	64	Settable	DMA2_Stream1	DMA2 Stream1 global interrupt	0x0000_0124
58	65	Settable	DMA2_Stream2	DMA2 Stream2 global interrupt	0x0000_0128
59	66	Settable	DMA2_Stream3	DMA2 Stream3 global interrupt	0x0000_012C
60	67	Settable	DMA2_Stream4	DMA2 Stream4 global interrupt	0x0000_0130
61	68	Settable	ETH	Ethernet global interrupt	0x0000_0134
62	69	Settable	ETH_WKUP	Ethernet wake-up through EXTI line interrupt	0x0000_0138
63	70	Settable	CAN2_TX	CAN2 TX interrupts	0x0000_013C
64	71	Settable	CAN2_RX0	CAN2 RX0 interrupts	0x0000_0140
65	72	Settable	CAN2_RX1	CAN2 RX1 interrupt	0x0000_0144
66	73	Settable	CAN2_SCE	CAN2 SCE interrupt	0x0000_0148
67	74	Settable	OTG_FS	USB On The Go FS global interrupt	0x0000_014C
68	75	Settable	DMA2_Stream5	DMA2 Stream5 global interrupt	0x0000_0150
69	76	Settable	DMA2_Stream6	DMA2 Stream6 global interrupt	0x0000_0154
70	77	Settable	DMA2_Stream7	DMA2 Stream7 global interrupt	0x0000_0158

Table 20. Vector table (continued)

Position	Priority	Type of priority	Acronym	Description	Address
71	78	Settable	USART6	USART6 global interrupt	0x0000_015C
72	79	Settable	I2C3_EV	I ² C3 event interrupt	0x0000_0160
73	80	Settable	I2C3_ER	I ² C3 error interrupt	0x0000_0164
74	81	Settable	OTG_HS_EP1_OUT	USB On The Go HS End Point 1 Out global interrupt	0x0000_0168
75	82	Settable	OTG_HS_EP1_IN	USB On The Go HS End Point 1 In global interrupt	0x0000_016C
76	83	Settable	OTG_HS_WKUP	USB On The Go HS wake-up through EXTI interrupt	0x0000_0170
77	84	Settable	OTG_HS	USB On The Go HS global interrupt	0x0000_0174
78	85	Settable	DCMI	DCMI global interrupt	0x0000_0178
79	86	Settable	CRYP	CRYP crypto global interrupt	0x0000_017C
80	87	Settable	HASH_RNG	Hash and Rng global interrupt	0x0000_0180

8.2 External interrupt/event controller (EXTI)

The external interrupt/event controller consists of up to 23 edge detectors for generating event/interrupt requests. Each input line can be independently configured to select the type (interrupt or event) and the corresponding trigger event (rising or falling or both). Each line can also be masked independently. A pending register maintains the status line of the interrupt requests.

8.2.1 EXTI main features

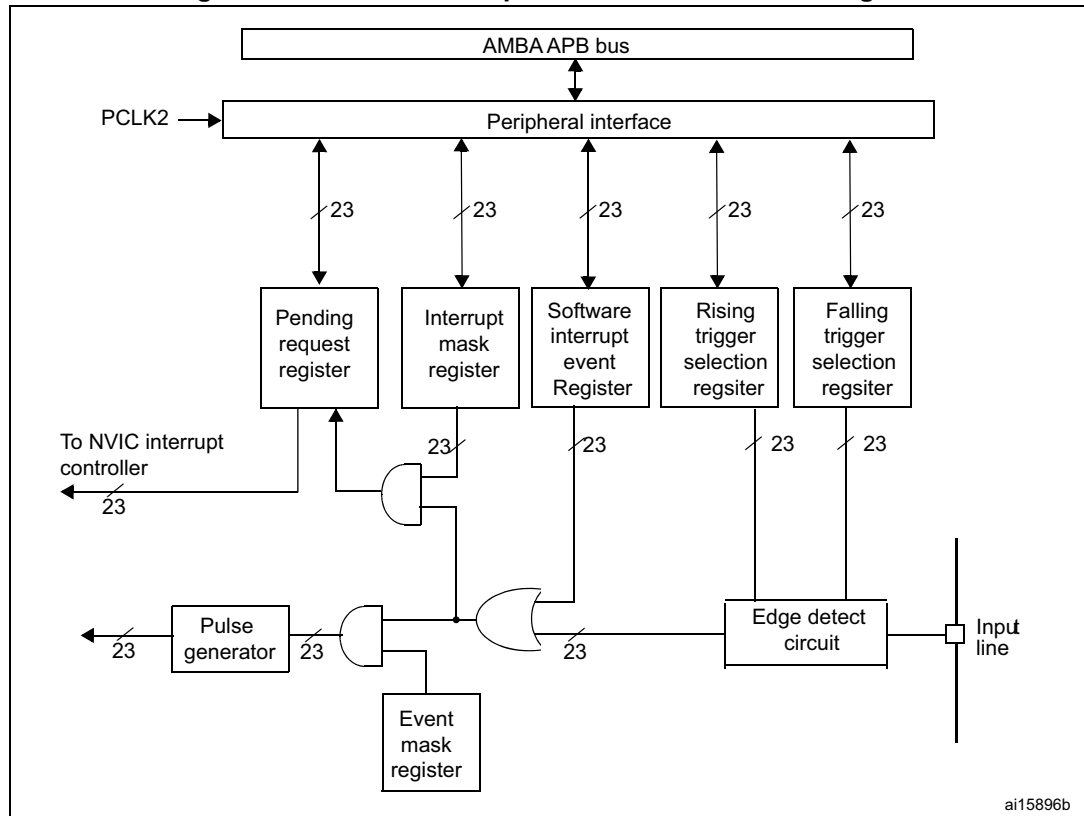
The main features of the EXTI controller are the following:

- independent trigger and mask on each interrupt/event line
- dedicated status bit for each interrupt line
- generation of up to 23 software event/interrupt requests
- detection of external signals with a pulse width lower than the APB2 clock period. Refer to the electrical characteristics section of the STM32F20x and STM32F21x datasheets for details on this parameter.

8.2.2 EXTI block diagram

Figure 19 shows the block diagram.

Figure 19. External interrupt/event controller block diagram



8.2.3 Wake-up event management

The STM32F20x and STM32F21x are able to handle external or internal events in order to wake up the core (WFE). The wake-up event can be generated either by:

- enabling an interrupt in the peripheral control register but not in the NVIC, and enabling the SEVONPEND bit in the Cortex[®]-M3 System Control register. When the MCU resumes from WFE, the peripheral interrupt pending bit and the peripheral NVIC IRQ channel pending bit (in the NVIC interrupt clear pending register) have to be cleared.
- or configuring an external or internal EXTI line in event mode. When the CPU resumes from WFE, it is not necessary to clear the peripheral interrupt pending bit or the NVIC IRQ channel pending bit as the pending bit corresponding to the event line is not set.

To use an external line as a wake-up event, refer to [Section 8.2.4: Functional description](#).

8.2.4 Functional description

To generate the interrupt, the interrupt line should be configured and enabled. This is done by programming the two trigger registers with the desired edge detection and by enabling the interrupt request by writing a '1' to the corresponding bit in the interrupt mask register. When the selected edge occurs on the external interrupt line, an interrupt request is

generated. The pending bit corresponding to the interrupt line is also set. This request is reset by writing a '1' in the pending register.

To generate the event, the event line should be configured and enabled. This is done by programming the two trigger registers with the desired edge detection and by enabling the event request by writing a '1' to the corresponding bit in the event mask register. When the selected edge occurs on the event line, an event pulse is generated. The pending bit corresponding to the event line is not set.

An interrupt/event request can also be generated by software by writing a '1' in the software interrupt/event register.

Hardware interrupt selection

To configure the 23 lines as interrupt sources, use the following procedure:

- Configure the mask bits of the 23 interrupt lines (EXTI_IMR)
- Configure the Trigger selection bits of the interrupt lines (EXTI_RTISR and EXTI_FTISR)
- Configure the enable and mask bits that control the NVIC IRQ channel mapped to the external interrupt controller (EXTI) so that an interrupt coming from one of the 23 lines can be correctly acknowledged.

Hardware event selection

To configure the 23 lines as event sources, use the following procedure:

- Configure the mask bits of the 23 event lines (EXTI_EMR)
- Configure the Trigger selection bits of the event lines (EXTI_RTISR and EXTI_FTISR)

Software interrupt/event selection

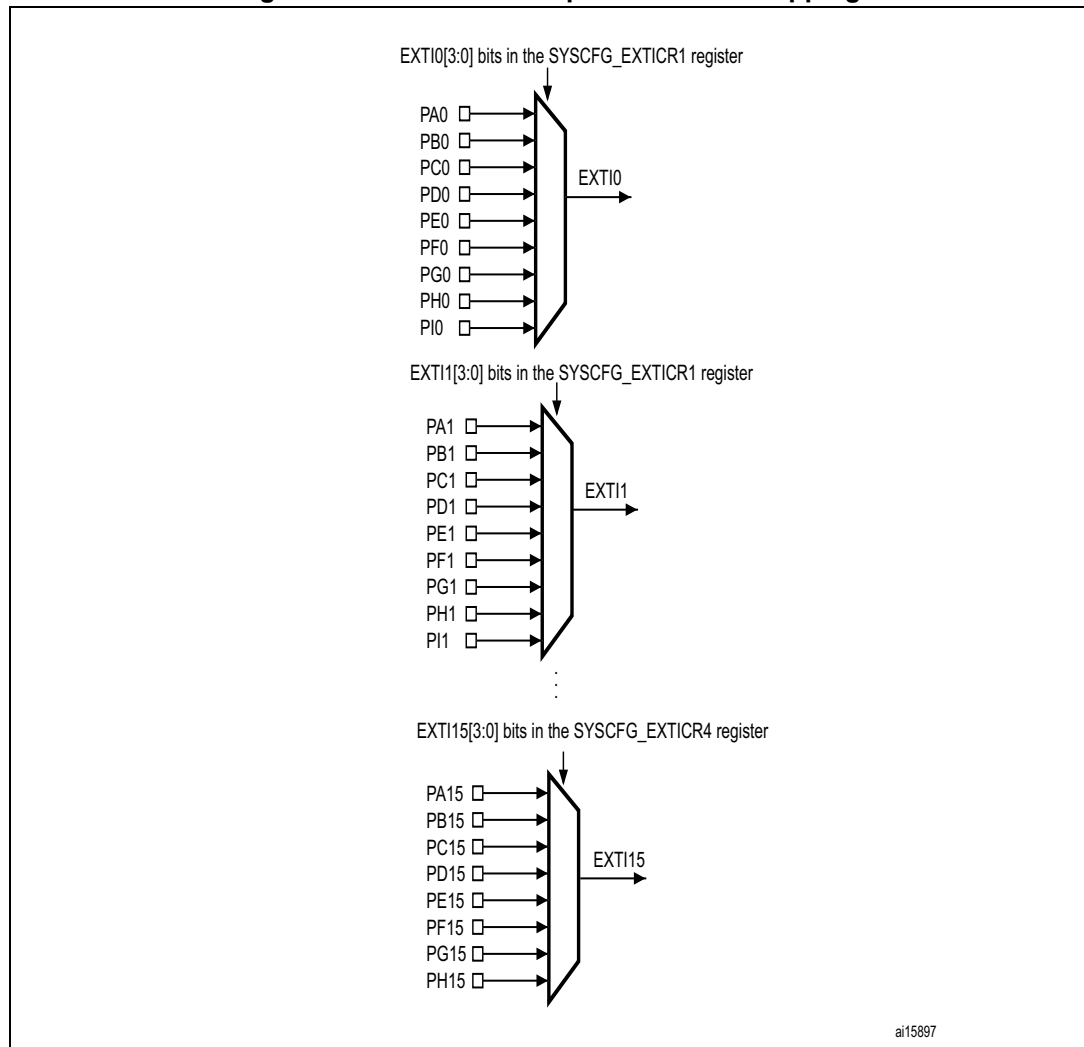
The 23 lines can be configured as software interrupt/event lines. The following is the procedure to generate a software interrupt.

- Configure the mask bits of the 23 interrupt/event lines (EXTI_IMR, EXTI_EMR)
- Set the required bit in the software interrupt register (EXTI_SWIER)

8.2.5 External interrupt/event line mapping

The 140 GPIOs are connected to the 16 external interrupt/event lines in the following manner:

Figure 20. External interrupt/event GPIO mapping



The seven other EXTI lines are connected as follows:

- EXTI line 16 is connected to the PVD output
- EXTI line 17 is connected to the RTC Alarm event
- EXTI line 18 is connected to the USB OTG FS Wake-up event
- EXTI line 19 is connected to the Ethernet Wake-up event
- EXTI line 20 is connected to the USB OTG HS (configured in FS) Wake-up event
- EXTI line 21 is connected to the RTC Tamper and TimeStamp events
- EXTI line 22 is connected to the RTC Wake-up event

8.3 EXTI registers

Refer to [Section 1.2 on page 46](#) for a list of abbreviations used in register descriptions.

The peripheral registers have to be accessed by words (32 bits).

8.3.1 Interrupt mask register (EXTI_IMR)

Address offset: 0x00

Reset value: 0x0000 0000

31	30	29	28	27	26	25	24	23	22	21	20	19	18	17	16
Reserved									MR22	MR21	MR20	MR19	MR18	MR17	MR16
									r/w	r/w	r/w	r/w	r/w	r/w	r/w
15	14	13	12	11	10	9	8	7	6	5	4	3	2	1	0
MR15	MR14	MR13	MR12	MR11	MR10	MR9	MR8	MR7	MR6	MR5	MR4	MR3	MR2	MR1	MR0
r/w	r/w	r/w	r/w	r/w	r/w	r/w	r/w	r/w	r/w	r/w	r/w	r/w	r/w	r/w	r/w

Bits 31:23 Reserved, must be kept at reset value (0).

Bits 22:0 **MRx**: Interrupt mask on line x

0: Interrupt request from line x is masked

1: Interrupt request from line x is not masked

8.3.2 Event mask register (EXTI_EMR)

Address offset: 0x04

Reset value: 0x0000 0000

31	30	29	28	27	26	25	24	23	22	21	20	19	18	17	16
Reserved									MR22	MR21	MR20	MR19	MR18	MR17	MR16
									r/w	r/w	r/w	r/w	r/w	r/w	r/w
15	14	13	12	11	10	9	8	7	6	5	4	3	2	1	0
MR15	MR14	MR13	MR12	MR11	MR10	MR9	MR8	MR7	MR6	MR5	MR4	MR3	MR2	MR1	MR0
r/w	r/w	r/w	r/w	r/w	r/w	r/w	r/w	r/w	r/w	r/w	r/w	r/w	r/w	r/w	r/w

Bits 31:23 Reserved, must be kept at reset value (0).

Bits 22:0 **MRx**: Event mask on line x

0: Event request from line x is masked

1: Event request from line x is not masked

8.3.3 Rising trigger selection register (EXTI_RTSR)

Address offset: 0x08
 Reset value: 0x0000 0000

31	30	29	28	27	26	25	24	23	22	21	20	19	18	17	16
Reserved									TR22	TR21	TR20	TR19	TR18	TR17	TR16
									rW	rW	rW	rW	rW	rW	rW
15	14	13	12	11	10	9	8	7	6	5	4	3	2	1	0
TR15	TR14	TR13	TR12	TR11	TR10	TR9	TR8	TR7	TR6	TR5	TR4	TR3	TR2	TR1	TR0
rW	rW	rW	rW	rW	rW	rW	rW	rW	rW	rW	rW	rW	rW	rW	rW

Bits 31:23 Reserved, must be kept at reset value (0).

Bits 22:0 **TRx**: Rising trigger event configuration bit of line x
 0: Rising trigger disabled (for Event and Interrupt) for input line
 1: Rising trigger enabled (for Event and Interrupt) for input line

Note: The external wake-up lines are edge triggered, no glitch must be generated on these lines. If a rising edge occurs on the external interrupt line while writing to the EXTI_RTISR register, the pending bit is be set.

Rising and falling edge triggers can be set for the same interrupt line. In this configuration, both generate a trigger condition.

8.3.4 Falling trigger selection register (EXTI_FTISR)

Address offset: 0x0C
 Reset value: 0x0000 0000

31	30	29	28	27	26	25	24	23	22	21	20	19	18	17	16
Reserved									TR22	TR21	TR20	TR19	TR18	TR17	TR16
									rW	rW	rW	rW	rW	rW	rW
15	14	13	12	11	10	9	8	7	6	5	4	3	2	1	0
TR15	TR14	TR13	TR12	TR11	TR10	TR9	TR8	TR7	TR6	TR5	TR4	TR3	TR2	TR1	TR0
rW	rW	rW	rW	rW	rW	rW	rW	rW	rW	rW	rW	rW	rW	rW	rW

Bits 31:23 Reserved, must be kept at reset value (0).

Bits 22:0 **TRx**: Falling trigger event configuration bit of line x
 0: Falling trigger disabled (for Event and Interrupt) for input line
 1: Falling trigger enabled (for Event and Interrupt) for input line.

Note: The external wake-up lines are edge triggered, no glitch must be generated on these lines. If a falling edge occurs on the external interrupt line while writing to the EXTI_FTISR register, the pending bit is not set.

Rising and falling edge triggers can be set for the same interrupt line. In this configuration, both generate a trigger condition.

8.3.5 Software interrupt event register (EXTI_SWIER)

Address offset: 0x10
 Reset value: 0x0000 0000

31	30	29	28	27	26	25	24	23	22	21	20	19	18	17	16
Reserved									SWIER 22	SWIER 21	SWIER 20	SWIER 19	SWIER 18	SWIER 17	SWIER 16
									rw	rw	rw	rw	rw	rw	rw
15	14	13	12	11	10	9	8	7	6	5	4	3	2	1	0
SWIER 15	SWIER 14	SWIER 13	SWIER 12	SWIER 11	SWIER 10	SWIER 9	SWIER 8	SWIER 7	SWIER 6	SWIER 5	SWIER 4	SWIER 3	SWIER 2	SWIER 1	SWIER 0
rw	rw	rw	rw	rw	rw	rw	rw	rw	rw	rw	rw	rw	rw	rw	rw

Bits 31:23 Reserved, must be kept at reset value (0).

Bits 22:0 **SWIERx**: Software Interrupt on line x

Writing a 1 to this bit when it is at 0 sets the corresponding pending bit in EXTI_PR. If the interrupt is enabled on this line on the EXTI_IMR and EXTI_EMR, an interrupt request is generated.

This bit is cleared by clearing the corresponding bit in EXTI_PR (by writing a 1 to the bit).

8.3.6 Pending register (EXTI_PR)

Address offset: 0x14
 Reset value: undefined

31	30	29	28	27	26	25	24	23	22	21	20	19	18	17	16
Reserved									PR22	PR21	PR20	PR19	PR18	PR17	PR16
									rc_w1	rc_w1	rc_w1	rc_w1	rc_w1	rc_w1	rc_w1
15	14	13	12	11	10	9	8	7	6	5	4	3	2	1	0
PR15	PR14	PR13	PR12	PR11	PR10	PR9	PR8	PR7	PR6	PR5	PR4	PR3	PR2	PR1	PR0
rc_w1	rc_w1	rc_w1	rc_w1	rc_w1	rc_w1	rc_w1	rc_w1	rc_w1	rc_w1	rc_w1	rc_w1	rc_w1	rc_w1	rc_w1	rc_w1

Bits 31:23 Reserved, must be kept at reset value (0).

Bits 22:0 **PRx**: Pending bit

0: No trigger request occurred

1: selected trigger request occurred

This bit is set when the selected edge event arrives on the external interrupt line. This bit is cleared by writing a 1 to the bit or by changing the sensitivity of the edge detector.

8.3.7 EXTI register map

Table 21 gives the EXTI register map and the reset values.

Table 21. External interrupt/event controller register map and reset values

Offset	Register	31	30	29	28	27	26	25	24	23	22	21	20	19	18	17	16	15	14	13	12	11	10	9	8	7	6	5	4	3	2	1	0								
0x00	EXTI_IMR	Reserved										MR[22:0]																													
	Reset value											0	0	0	0	0	0	0	0	0	0	0	0	0	0	0	0	0	0	0	0	0	0	0	0	0	0	0	0	0	0
0x04	EXTI_EMR	Reserved										MR[22:0]																													
	Reset value											0	0	0	0	0	0	0	0	0	0	0	0	0	0	0	0	0	0	0	0	0	0	0	0	0	0	0	0	0	0
0x08	EXTI_RTSR	Reserved										TR[22:0]																													
	Reset value											0	0	0	0	0	0	0	0	0	0	0	0	0	0	0	0	0	0	0	0	0	0	0	0	0	0	0	0	0	0
0x0C	EXTI_FTSTR	Reserved										TR[22:0]																													
	Reset value											0	0	0	0	0	0	0	0	0	0	0	0	0	0	0	0	0	0	0	0	0	0	0	0	0	0	0	0	0	0
0x10	EXTI_SWIER	Reserved										SWIER[22:0]																													
	Reset value											0	0	0	0	0	0	0	0	0	0	0	0	0	0	0	0	0	0	0	0	0	0	0	0	0	0	0	0	0	0
0x14	EXTI_PR	Reserved										PR[22:0]																													
	Reset value											0	0	0	0	0	0	0	0	0	0	0	0	0	0	0	0	0	0	0	0	0	0	0	0	0	0	0	0	0	0

Refer to [Section 2.3 on page 51](#) for the register boundary addresses.

9 DMA controller (DMA)

9.1 DMA introduction

Direct memory access (DMA) is used in order to provide high-speed data transfer between peripherals and memory and between memory and memory. Data can be quickly moved by DMA without any CPU action. This keeps CPU resources free for other operations.

The DMA controller combines a powerful dual AHB master bus architecture with independent FIFO to optimize the bandwidth of the system, based on a complex bus matrix architecture.

The two DMA controllers have 16 streams in total (8 for each controller), each dedicated to managing memory access requests from one or more peripherals. Each stream can have up to 8 channels (requests) in total. And each has an arbiter for handling the priority between DMA requests.

9.2 DMA main features

The main DMA features are:

- Dual AHB master bus architecture, one dedicated to memory accesses and one dedicated to peripheral accesses
- AHB slave programming interface supporting only 32-bit accesses
- 8 streams for each DMA controller, up to 8 channels (requests) per stream
- Four-word depth 32 first-in, first-out memory buffers (FIFOs) per stream, that can be used in FIFO mode or direct mode:
 - FIFO mode: with threshold level software selectable between 1/4, 1/2 or 3/4 of the FIFO size
 - Direct modeEach DMA request immediately initiates a transfer from/to the memory. When it is configured in direct mode (FIFO disabled), to transfer data in memory-to-peripheral mode, the DMA preloads only one data from the memory to the internal

FIFO to ensure an immediate data transfer as soon as a DMA request is triggered by a peripheral.

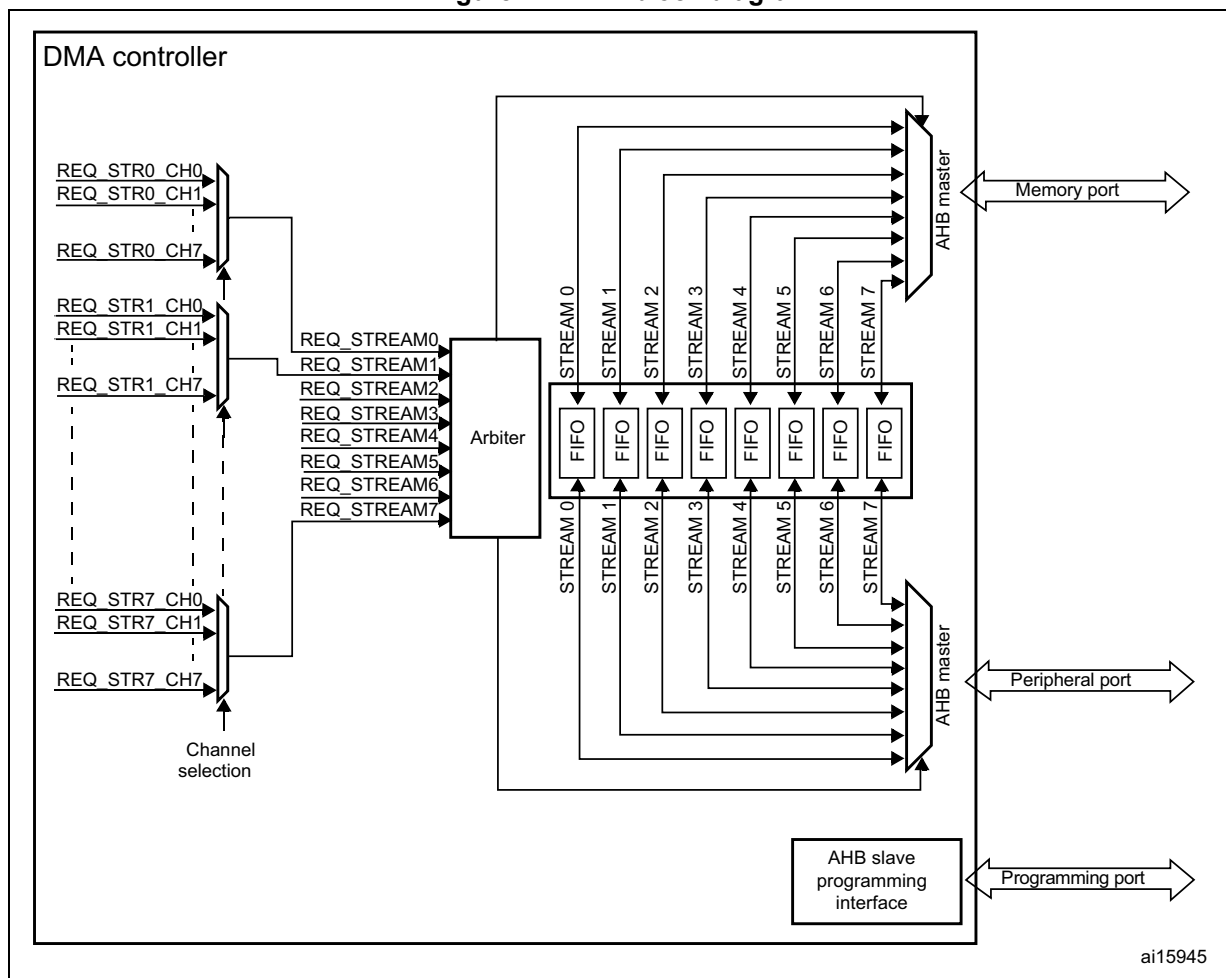
- Each stream can be configured by hardware to be:
 - a regular channel that supports peripheral-to-memory, memory-to-peripheral and memory-to-memory transfers
 - a double buffer channel that also supports double buffering on the memory side
- Each of the 8 streams are connected to dedicated hardware DMA channels (requests)
- Priorities between DMA stream requests are software-programmable (4 levels consisting of very high, high, medium, low) or hardware in case of equality (request 0 has priority over request 1, etc.)
- Each stream also supports software trigger for memory-to-memory transfers (only available for the DMA2 controller)
- Each stream request can be selected among up to 8 possible channel requests. This selection is software-configurable and allows several peripherals to initiate DMA requests
- The number of data items to be transferred can be managed either by the DMA controller or by the peripheral:
 - DMA flow controller: the number of data items to be transferred is software-programmable from 1 to 65535
 - Peripheral flow controller: the number of data items to be transferred is unknown and controlled by the source or the destination peripheral that signals the end of the transfer by hardware
- Independent source and destination transfer width (byte, half-word, word): when the data widths of the source and destination are not equal, the DMA automatically packs/unpacks the necessary transfers to optimize the bandwidth. This feature is only available in FIFO mode
- Incrementing or non-incrementing addressing for source and destination
- Supports incremental burst transfers of 4, 8 or 16 beats. The size of the burst is software-configurable, usually equal to half the FIFO size of the peripheral
- Each stream supports circular buffer management
- 5 event flags (DMA Half Transfer, DMA Transfer complete, DMA Transfer Error, DMA FIFO Error, Direct Mode Error) logically ORed together in a single interrupt request for each stream

9.3 DMA functional description

9.3.1 General description

Figure 21 shows the block diagram of a DMA.

Figure 21. DMA block diagram



The DMA controller performs direct memory transfer: as an AHB master, it can take the control of the AHB bus matrix to initiate AHB transactions.

It can carry out the following transactions:

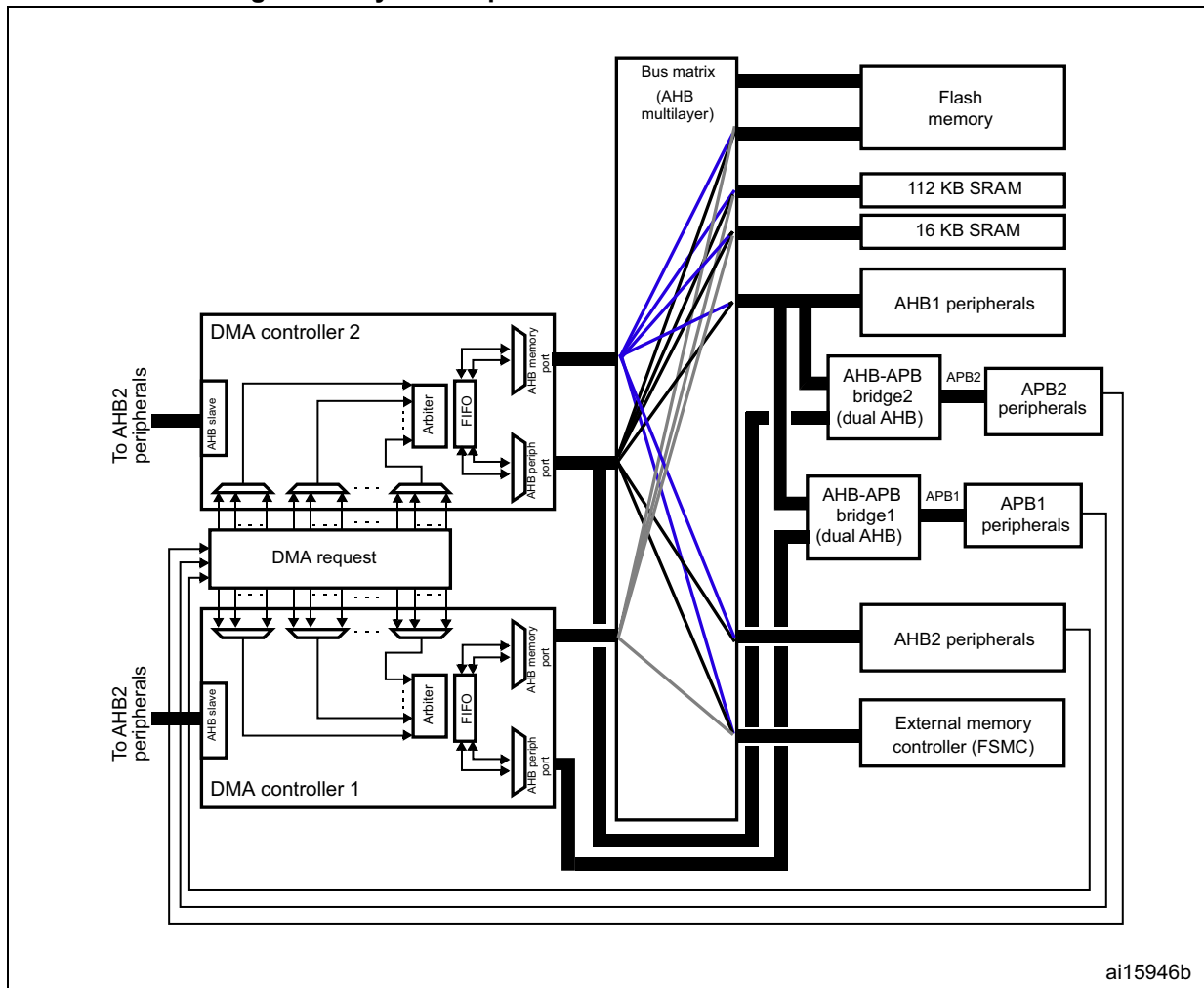
- peripheral-to-memory
- memory-to-peripheral
- memory-to-memory

The DMA controller provides two AHB master ports: the *AHB memory port*, intended to be connected to memories and the *AHB peripheral port*, intended to be connected to peripherals. However, to allow memory-to-memory transfers, the *AHB peripheral port* must also have access to the memories.

The AHB slave port is used to program the DMA controller (it supports only 32-bit accesses).

See [Figure 22](#) for the implementation of the system of two DMA controllers.

Figure 22. System implementation of the two DMA controllers



ai15946b

1. The DMA1 controller AHB peripheral port is not connected to the bus matrix like DMA2 controller. As a result, only DMA2 streams are able to perform memory-to-memory transfers.

9.3.2 DMA transactions

A DMA transaction consists of a sequence of a given number of data transfers. The number of data items to be transferred and their width (8-bit, 16-bit or 32-bit) are software-programmable.

Each DMA transfer consists of three operations:

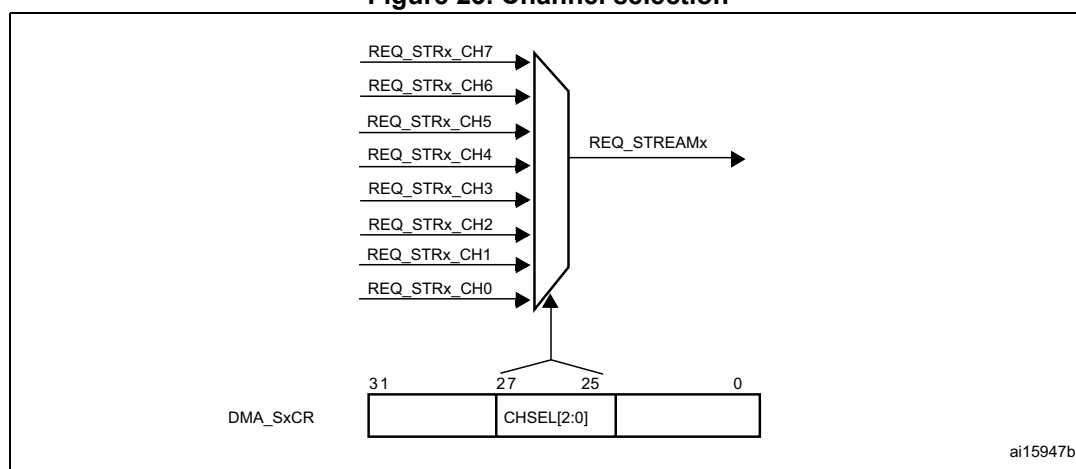
- A loading from the peripheral data register or a location in memory, addressed through the DMA_SxPAR or DMA_SxM0AR register
- A storage of the data loaded to the peripheral data register or a location in memory addressed through the DMA_SxPAR or DMA_SxM0AR register
- A post-decrement of the DMA_SxNDTR register, which contains the number of transactions that still have to be performed

After an event, the peripheral sends a request signal to the DMA controller. The DMA controller serves the request depending on the channel priorities. As soon as the DMA controller accesses the peripheral, an Acknowledge signal is sent to the peripheral by the DMA controller. The peripheral releases its request as soon as it gets the Acknowledge signal from the DMA controller. Once the request has been deasserted by the peripheral, the DMA controller releases the Acknowledge signal. If there are more requests, the peripheral can initiate the next transaction.

9.3.3 Channel selection

Each stream is associated with a DMA request that can be selected out of 8 possible channel requests. The selection is controlled by the CHSEL[2:0] bits in the DMA_SxCR register.

Figure 23. Channel selection



The 8 requests from the peripherals (TIM, ADC, SPI, I2C, etc.) are independently connected to each channel and their connection depends on the product implementation.

See the following table(s) for examples of DMA request mappings.

Table 22. DMA1 request mapping

Peripheral requests	Stream 0	Stream 1	Stream 2	Stream 3	Stream 4	Stream 5	Stream 6	Stream 7
Channel 0	SPI3_RX	-	SPI3_RX	SPI2_RX	SPI2_TX	SPI3_TX	-	SPI3_TX
Channel 1	I2C1_RX	-	TIM7_UP	-	TIM7_UP	I2C1_RX	I2C1_TX	I2C1_TX
Channel 2	TIM4_CH1	-	I2S3_ext_RX	TIM4_CH2	I2S2_ext_TX	I2S3_ext_TX	TIM4_UP	TIM4_CH3
Channel 3	I2S3_ext_RX	TIM2_UP TIM2_CH3	I2C3_RX	I2S2_ext_RX	I2C3_TX	TIM2_CH1	TIM2_CH2 TIM2_CH4	TIM2_UP TIM2_CH4
Channel 4	UART5_RX	USART3_RX	UART4_RX	USART3_TX	UART4_TX	USART2_RX	USART2_TX	UART5_TX
Channel 5	-	-	TIM3_CH4 TIM3_UP	-	TIM3_CH1 TIM3_TRIG	TIM3_CH2	-	TIM3_CH3
Channel 6	TIM5_CH3 TIM5_UP	TIM5_CH4 TIM5_TRIG	TIM5_CH1	TIM5_CH4 TIM5_TRIG	TIM5_CH2	-	TIM5_UP	-
Channel 7	-	TIM6_UP	I2C2_RX	I2C2_RX	USART3_TX	DAC1	DAC2	I2C2_TX

Table 23. DMA2 request mapping

Peripheral requests	Stream 0	Stream 1	Stream 2	Stream 3	Stream 4	Stream 5	Stream 6	Stream 7
Channel 0	ADC1	-	TIM8_CH1 TIM8_CH2 TIM8_CH3	-	ADC1	-	TIM1_CH1 TIM1_CH2 TIM1_CH3	-
Channel 1	-	DCMI	ADC2	ADC2	-	-	-	DCMI
Channel 2	ADC3	ADC3	-	-	-	CRYP_OUT	CRYP_IN	HASH_IN
Channel 3	SPI1_RX	-	SPI1_RX	SPI1_TX	-	SPI1_TX	-	-
Channel 4	-	-	USART1_RX	SDIO	-	USART1_RX	SDIO	USART1_TX
Channel 5	-	USART6_RX	USART6_RX	-	-	-	USART6_TX	USART6_TX
Channel 6	TIM1_TRIG	TIM1_CH1	TIM1_CH2	TIM1_CH1	TIM1_CH4 TIM1_TRIG TIM1_COM	TIM1_UP	TIM1_CH3	-
Channel 7	-	TIM8_UP	TIM8_CH1	TIM8_CH2	TIM8_CH3	-	-	TIM8_CH4 TIM8_TRIG TIM8_COM

9.3.4 Arbiter

An arbiter manages the 8 DMA stream requests based on their priority for each of the two AHB master ports (memory and peripheral ports) and launches the peripheral/memory access sequences.

Priorities are managed in two stages:

- Software: each stream priority can be configured in the DMA_SxCR register. There are four levels:
 - Very high priority
 - High priority
 - Medium priority
 - Low priority
- Hardware: If two requests have the same software priority level, the stream with the lower number takes priority over the stream with the higher number. For example, Stream 2 takes priority over Stream 4.

9.3.5 DMA streams

Each of the 8 DMA controller streams provides a unidirectional transfer link between a source and a destination.

Each stream can be configured to perform:

- Regular type transactions: memory-to-peripherals, peripherals-to-memory or memory-to-memory transfers
- Double-buffer type transactions: double buffer transfers using two memory pointers for the memory (while the DMA is reading/writing from/to a buffer, the application can write/read to/from the other buffer).

The amount of data to be transferred (up to 65535) is programmable and related to the source width of the peripheral that requests the DMA transfer connected to the peripheral

AHB port. The register that contains the amount of data items to be transferred is decremented after each transaction.

9.3.6 Source, destination and transfer modes

Both source and destination transfers can address peripherals and memories in the entire 4 GB area, at addresses comprised between 0x0000 0000 and 0xFFFF FFFF.

The direction is configured using the DIR[1:0] bits in the DMA_SxCR register and offers three possibilities: memory-to-peripheral, peripheral-to-memory or memory-to-memory transfers. [Table 24](#) describes the corresponding source and destination addresses.

Table 24. Source and destination address

Bits DIR[1:0] of the DMA_SxCR register	Direction	Source address	Destination address
00	Peripheral-to-memory	DMA_SxPAR	DMA_SxM0AR
01	Memory-to-peripheral	DMA_SxM0AR	DMA_SxPAR
10	Memory-to-memory	DMA_SxPAR	DMA_SxM0AR
11	reserved	-	-

When the data width (programmed in the PSIZE or MSIZE bits in the DMA_SxCR register) is a half-word or a word, respectively, the peripheral or memory address written into the DMA_SxPAR or DMA_SxM0AR/M1AR registers has to be aligned on a word or half-word address boundary, respectively.

Peripheral-to-memory mode

[Figure 24](#) describes this mode.

When this mode is enabled (by setting the bit EN in the DMA_SxCR register), each time a peripheral request occurs, the stream initiates a transfer from the source to fill the FIFO.

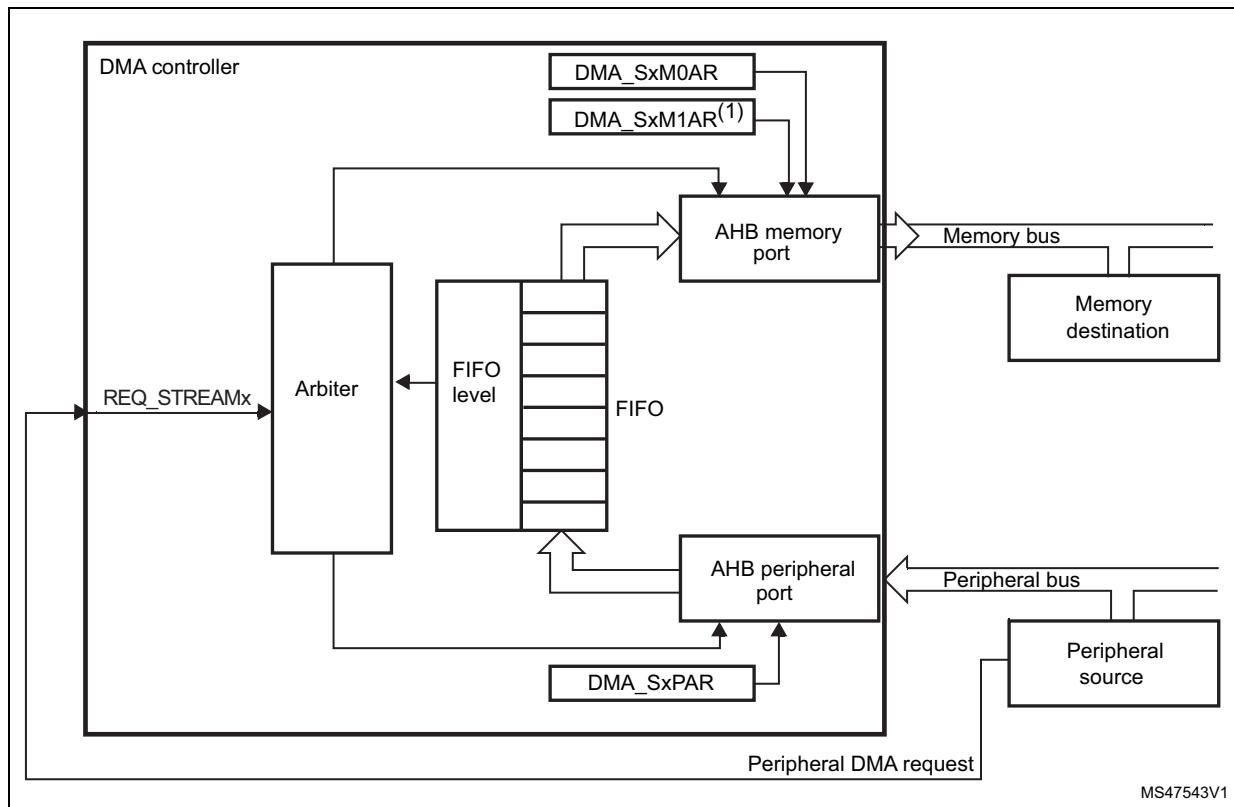
When the threshold level of the FIFO is reached, the contents of the FIFO are drained and stored into the destination.

The transfer stops once the DMA_SxNDTR register reaches zero, when the peripheral requests the end of transfers (in case of a peripheral flow controller) or when the EN bit in the DMA_SxCR register is cleared by software.

In direct mode (when the DMDIS value in the DMA_SxFCR register is '0'), the threshold level of the FIFO is not used: after each single data transfer from the peripheral to the FIFO, the corresponding data are immediately drained and stored into the destination.

The stream has access to the AHB source or destination port only if the arbitration of the corresponding stream is won. This arbitration is performed using the priority defined for each stream using the PL[1:0] bits in the DMA_SxCR register.

Figure 24. Peripheral-to-memory mode



1. For double-buffer mode.

Memory-to-peripheral mode

Figure 25 describes this mode.

When this mode is enabled (by setting the EN bit in the DMA_SxCR register), the stream immediately initiates transfers from the source to entirely fill the FIFO.

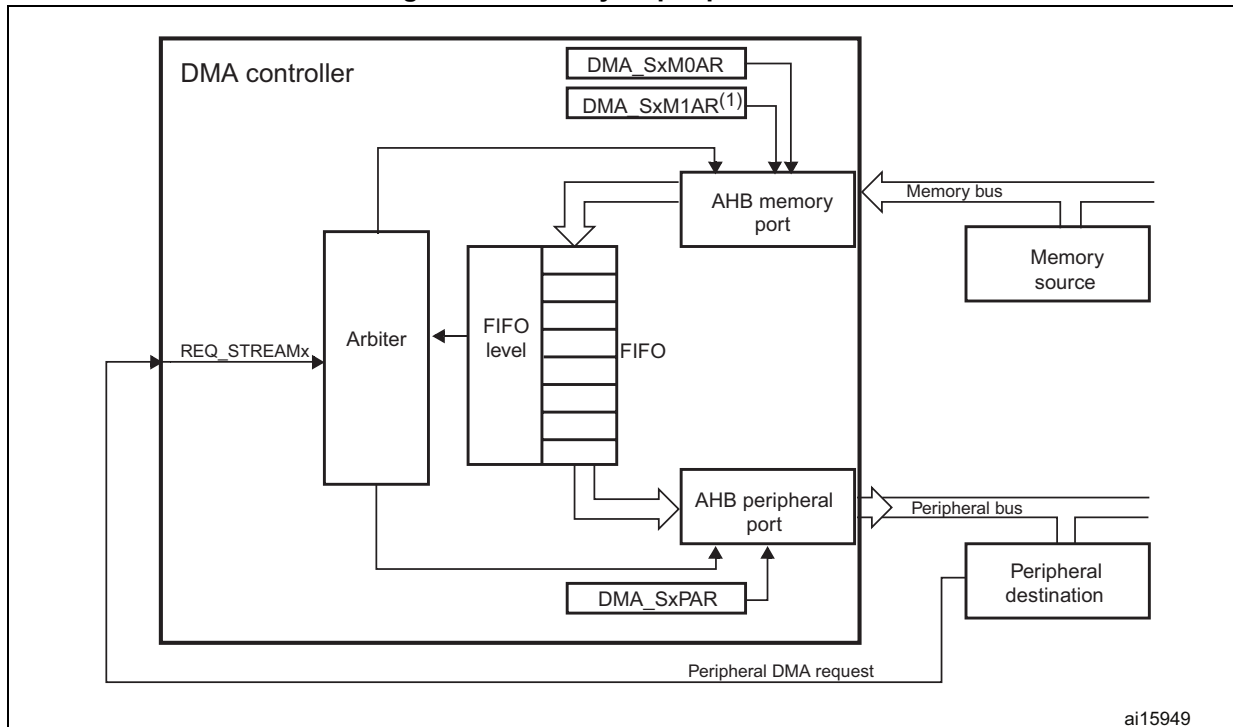
Each time a peripheral request occurs, the contents of the FIFO are drained and stored into the destination. When the level of the FIFO is lower than or equal to the predefined threshold level, the FIFO is fully reloaded with data from the memory.

The transfer stops once the DMA_SxNDTR register reaches zero, when the peripheral requests the end of transfers (in case of a peripheral flow controller) or when the EN bit in the DMA_SxCR register is cleared by software.

In direct mode (when the DMDIS value in the DMA_SxFCR register is '0'), the threshold level of the FIFO is not used. Once the stream is enabled, the DMA preloads the first data to transfer into an internal FIFO. As soon as the peripheral requests a data transfer, the DMA transfers the preloaded value into the configured destination. It then reloads again the empty internal FIFO with the next data to be transfer. The preloaded data size corresponds to the value of the PSIZE bitfield in the DMA_SxCR register.

The stream has access to the AHB source or destination port only if the arbitration of the corresponding stream is won. This arbitration is performed using the priority defined for each stream using the PL[1:0] bits in the DMA_SxCR register.

Figure 25. Memory-to-peripheral mode



1. For double-buffer mode.

Memory-to-memory mode

The DMA channels can also work without being triggered by a request from a peripheral. This is the memory-to-memory mode, described in [Figure 26](#).

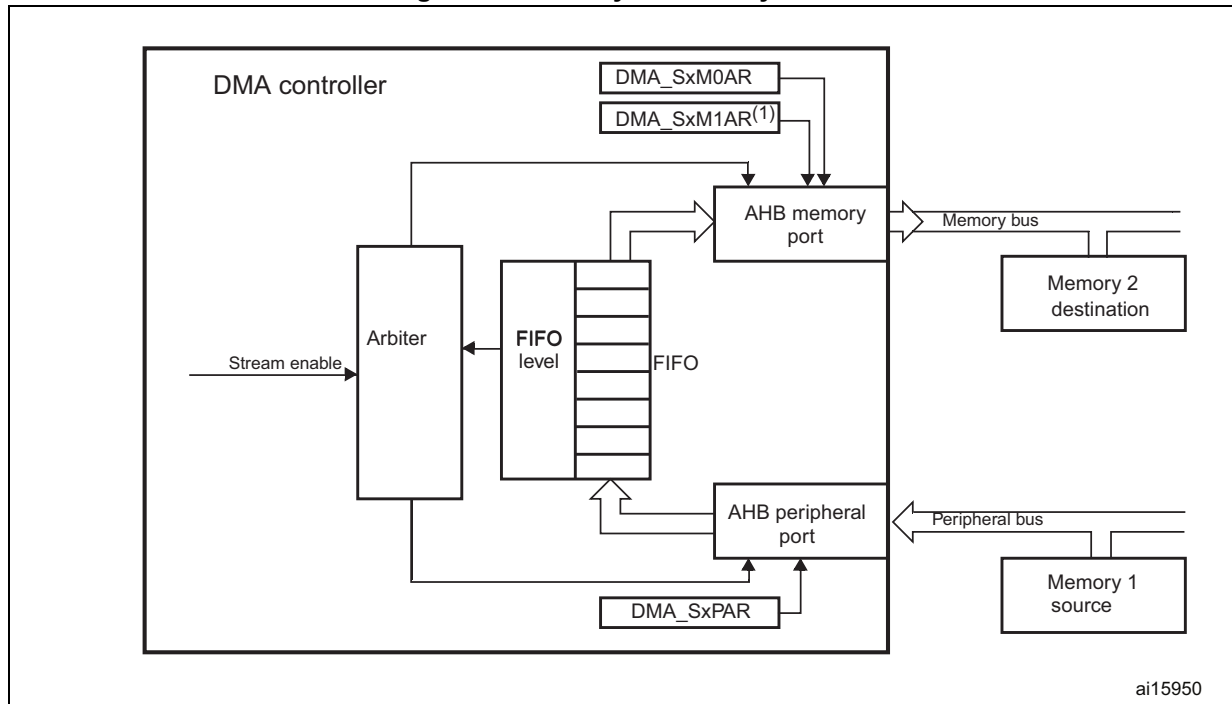
When the stream is enabled by setting the Enable bit (EN) in the DMA_SxCR register, the stream immediately starts to fill the FIFO up to the threshold level. When the threshold level is reached, the FIFO contents are drained and stored into the destination.

The transfer stops once the DMA_SxNDTR register reaches zero or when the EN bit in the DMA_SxCR register is cleared by software.

The stream has access to the AHB source or destination port only if the arbitration of the corresponding stream is won. This arbitration is performed using the priority defined for each stream using the PL[1:0] bits in the DMA_SxCR register.

Note: When memory-to-memory mode is used, the Circular and direct modes are not allowed. Only the DMA2 controller is able to perform memory-to-memory transfers.

Figure 26. Memory-to-memory mode



1. For double-buffer mode.

9.3.7 Pointer incrementation

Peripheral and memory pointers can optionally be automatically post-incremented or kept constant after each transfer depending on the PINC and MINC bits in the DMA_SxCR register.

Disabling the Increment mode is useful when the peripheral source or destination data are accessed through a single register.

If the Increment mode is enabled, the address of the next transfer is the address of the previous one incremented by 1 (for bytes), 2 (for half-words) or 4 (for words) depending on the data width programmed in the PSIZE or MSIZE bits in the DMA_SxCR register.

In order to optimize the packing operation, it is possible to fix the increment offset size for the peripheral address whatever the size of the data transferred on the AHB peripheral port. The PINCOS bit in the DMA_SxCR register is used to align the increment offset size with the data size on the peripheral AHB port, or on a 32-bit address (the address is then incremented by 4). The PINCOS bit has an impact on the AHB peripheral port only.

If PINCOS bit is set, the address of the next transfer is the address of the previous one incremented by 4 (automatically aligned on a 32-bit address) whatever the PSIZE value. The AHB memory port, however, is not impacted by this operation.

9.3.8 Circular mode

The Circular mode is available to handle circular buffers and continuous data flows (e.g. ADC scan mode). This feature can be enabled using the CIRC bit in the DMA_SxCR register.

When the circular mode is activated, the number of data items to be transferred is automatically reloaded with the initial value programmed during the stream configuration phase, and the DMA requests continue to be served.

Note: In the circular mode, it is mandatory to respect the following rule in case of a burst mode configured for memory:

$DMA_SxNDTR = \text{Multiple of } ((Mburst\ beat) \times (Msize)/(Psize)), \text{ where:}$

- $(Mburst\ beat) = 4, 8 \text{ or } 16$ (depending on the MBURST bits in the DMA_SxCR register)
- $((Msize)/(Psize)) = 1, 2, 4, 1/2 \text{ or } 1/4$ (Msize and Psize represent the MSIZE and PSIZE bits in the DMA_SxCR register. They are byte dependent)
- $DMA_SxNDTR = \text{Number of data items to transfer on the AHB peripheral port}$

For example: Mburst beat = 8 (INCR8), MSIZE = '00' (byte) and PSIZE = '01' (half-word), in this case: DMA_SxNDTR must be a multiple of $(8 \times 1/2 = 4)$.

If this formula is not respected, the DMA behavior and data integrity are not guaranteed.

NDTR must also be a multiple of the Peripheral burst size multiplied by the peripheral data size, otherwise this could result in a bad DMA behavior.

9.3.9 Double buffer mode

This mode is available for all the DMA1 and DMA2 streams.

The Double buffer mode is enabled by setting the DBM bit in the DMA_SxCR register.

A double-buffer stream works as a regular (single buffer) stream with the difference that it has two memory pointers. When the Double buffer mode is enabled, the Circular mode is automatically enabled (CIRC bit in DMA_SxCR is don't care) and at each end of transaction, the memory pointers are swapped.

In this mode, the DMA controller swaps from one memory target to another at each end of transaction. This allows the software to process one memory area while the second is being filled/used by the DMA transfer. The double-buffer stream can work in both directions (the memory can be either the source or the destination) as described in [Table 25](#).

Note: In Double buffer mode, it is possible to update the base address for the AHB memory port on-the-fly (DMA_SxM0AR or DMA_SxM1AR) when the stream is enabled, by respecting the following conditions:

- When the CT bit is '0' in the DMA_SxCR register, the DMA_SxM1AR register can be written. Attempting to write to this register while CT = '1' sets an error flag (TEIF) and the stream is automatically disabled.
- When the CT bit is '1' in the DMA_SxCR register, the DMA_SxM0AR register can be written. Attempting to write to this register while CT = '0', sets an error flag (TEIF) and the stream is automatically disabled.

To avoid any error condition, it is advised to change the base address as soon as the TCIF flag is asserted because, at this point, the targeted memory must have changed from memory 0 to 1 (or from 1 to 0) depending on the value of CT in the DMA_SxCR register in accordance with one of the two above conditions.

For all the other modes (except the Double buffer mode), the memory address registers are write-protected as soon as the stream is enabled.

Table 25. Source and destination address registers in Double buffer mode (DBM=1)

Bits DIR[1:0] of the DMA_SxCR register	Direction	Source address	Destination address
00	Peripheral-to-memory	DMA_SxPAR	DMA_SxM0AR / DMA_SxM1AR
01	Memory-to-peripheral	DMA_SxM0AR / DMA_SxM1AR	DMA_SxPAR
10	Not allowed ⁽¹⁾		
11	Reserved	-	-

1. When the Double buffer mode is enabled, the Circular mode is automatically enabled. Since the memory-to-memory mode is not compatible with the Circular mode, when the Double buffer mode is enabled, it is not allowed to configure the memory-to-memory mode.

9.3.10 Programmable data width, packing/unpacking, endianness

The number of data items to be transferred has to be programmed into DMA_SxNDTR (number of data items to transfer bit, NDT) before enabling the stream (except when the flow controller is the peripheral, PFCTRL bit in DMA_SxCR is set).

When using the internal FIFO, the data widths of the source and destination data are programmable through the PSIZE and MSIZE bits in the DMA_SxCR register (can be 8-, 16- or 32-bit).

When PSIZE and MSIZE are not equal:

- The data width of the number of data items to transfer, configured in the DMA_SxNDTR register is equal to the width of the peripheral bus (configured by the PSIZE bits in the DMA_SxCR register). For instance, in case of peripheral-to-memory, memory-to-peripheral or memory-to-memory transfers and if the PSIZE[1:0] bits are configured for half-word, the number of bytes to be transferred is equal to $2 \times \text{NDT}$.
- The DMA controller only copes with little-endian addressing for both source and destination. This is described in [Table 26](#).

This packing/unpacking procedure may present a risk of data corruption when the operation is interrupted before the data are completely packed/unpacked. So, to ensure data coherence, the stream may be configured to generate burst transfers: in this case, each group of transfers belonging to a burst are indivisible (refer to [Section 9.3.11](#)).

In direct mode (DMDIS = 0 in the DMA_SxFCR register), the packing/unpacking of data is not possible. In this case, it is not allowed to have different source and destination transfer data widths: both are equal and defined by the PSIZE bits in the DMA_SxCR MSIZE bits are don't care).

Table 26. Packing/unpacking & endian behavior (bit PINC = MINC = 1)

AHB memory port width	AHB peripheral port width	Number of data items to transfer (NDT)	Memory transfer number	Memory port address / byte lane	Peripheral transfer number	Peripheral port address / byte lane	
						PINCOS = 1	PINCOS = 0
8	8	4	1	0x0 / B0[7:0] 0x1 / B1[7:0] 0x2 / B2[7:0] 0x3 / B3[7:0]	1	0x0 / B0[7:0] 0x4 / B1[7:0] 0x8 / B2[7:0] 0xC / B3[7:0]	0x0 / B0[7:0] 0x1 / B1[7:0] 0x2 / B2[7:0] 0x3 / B3[7:0]
			2		2		
			3		3		
			4		4		
8	16	2	1	0x0 / B0[7:0] 0x1 / B1[7:0] 0x2 / B2[7:0] 0x3 / B3[7:0]	1	0x0 / B1 B0[15:0] 0x4 / B3 B2[15:0]	0x0 / B1 B0[15:0] 0x2 / B3 B2[15:0]
			2		2		
			3				
			4				
8	32	1	1	0x0 / B0[7:0] 0x1 / B1[7:0] 0x2 / B2[7:0] 0x3 / B3[7:0]	1	0x0 / B3 B2 B1 B0[31:0]	0x0 / B3 B2 B1 B0[31:0]
			2				
			3				
			4				
16	8	4	1	0x0 / B1 B0[15:0] 0x2 / B3 B2[15:0]	1	0x0 / B0[7:0] 0x4 / B1[7:0] 0x8 / B2[7:0] 0xC / B3[7:0]	0x0 / B0[7:0] 0x1 / B1[7:0] 0x2 / B2[7:0] 0x3 / B3[7:0]
			2		2		
			3		3		
			4		4		
16	16	2	1	0x0 / B1 B0[15:0] 0x2 / B1 B0[15:0]	1	0x0 / B1 B0[15:0] 0x4 / B3 B2[15:0]	0x0 / B1 B0[15:0] 0x2 / B3 B2[15:0]
			2		2		
16	32	1	1	0x0 / B1 B0[15:0] 0x2 / B3 B2[15:0]	1	0x0 / B3 B2 B1 B0[31:0]	0x0 / B3 B2 B1 B0[31:0]
			2				
32	8	4	1	0x0 / B3 B2 B1 B0[31:0]	1	0x0 / B0[7:0] 0x4 / B1[7:0] 0x8 / B2[7:0] 0xC / B3[7:0]	0x0 / B0[7:0] 0x1 / B1[7:0] 0x2 / B2[7:0] 0x3 / B3[7:0]
			2		2		
			3		3		
			4		4		
32	16	2	1	0x0 / B3 B2 B1 B0 [31:0]	1	0x0 / B1 B0[15:0] 0x4 / B3 B2[15:0]	0x0 / B1 B0[15:0] 0x2 / B3 B2[15:0]
			2		2		
32	32	1	1	0x0 / B3 B2 B1 B0 [31:0]	1	0x0 / B3 B2 B1 B0 [31:0]	0x0 / B3 B2 B1 B0 [31:0]

Note: Peripheral port may be the source or the destination (it could also be the memory source in the case of memory-to-memory transfer).

PSIZE, MSIZE and NDT[15:0] have to be configured so as to ensure that the last transfer is not incomplete. This can occur when the data width of the peripheral port (PSIZE bits) is lower than the data width of the memory port (MSIZE bits). This constraint is summarized in [Table 27](#).

Table 27. Restriction on NDT versus PSIZE and MSIZE

PSIZE[1:0] of DMA_SxCR	MSIZE[1:0] of DMA_SxCR	NDT[15:0] of DMA_SxNDTR
00 (8-bit)	01 (16-bit)	must be a multiple of 2
00 (8-bit)	10 (32-bit)	must be a multiple of 4
01 (16-bit)	10 (32-bit)	must be a multiple of 2

9.3.11 Single and burst transfers

The DMA controller can generate single transfers or incremental burst transfers of 4, 8 or 16 beats.

The size of the burst is configured by software independently for the two AHB ports by using the MBURST[1:0] and PBURST[1:0] bits in the DMA_SxCR register.

The burst size indicates the number of beats in the burst, not the number of bytes transferred.

To ensure data coherence, each group of transfers that form a burst are indivisible: AHB transfers are locked and the arbiter of the AHB bus matrix does not degrant the DMA master during the sequence of the burst transfer.

Depending on the single or burst configuration, each DMA request initiates a different number of transfers on the AHB peripheral port:

- When the AHB peripheral port is configured for single transfers, each DMA request generates a data transfer of a byte, half-word or word depending on the PSIZE[1:0] bits in the DMA_SxCR register
- When the AHB peripheral port is configured for burst transfers, each DMA request generates 4, 8 or 16 beats of byte, half word or word transfers depending on the PBURST[1:0] and PSIZE[1:0] bits in the DMA_SxCR register.

The same as above has to be considered for the AHB memory port considering the MBURST and MSIZE bits.

In direct mode, the stream can only generate single transfers and the MBURST[1:0] and PBURST[1:0] bits are forced by hardware.

The address pointers (DMA_SxPAR or DMA_SxM0AR registers) must be chosen so as to ensure that all transfers within a burst block are aligned on the address boundary equal to the size of the transfer.

The burst configuration has to be selected in order to respect the AHB protocol, where bursts must *not* cross the 1 KB address boundary because the minimum address space that can be allocated to a single slave is 1 KB. This means that the 1 KB address boundary should not be crossed by a burst block transfer, otherwise an AHB error would be generated, that is not reported by the DMA registers.

9.3.12 FIFO

FIFO structure

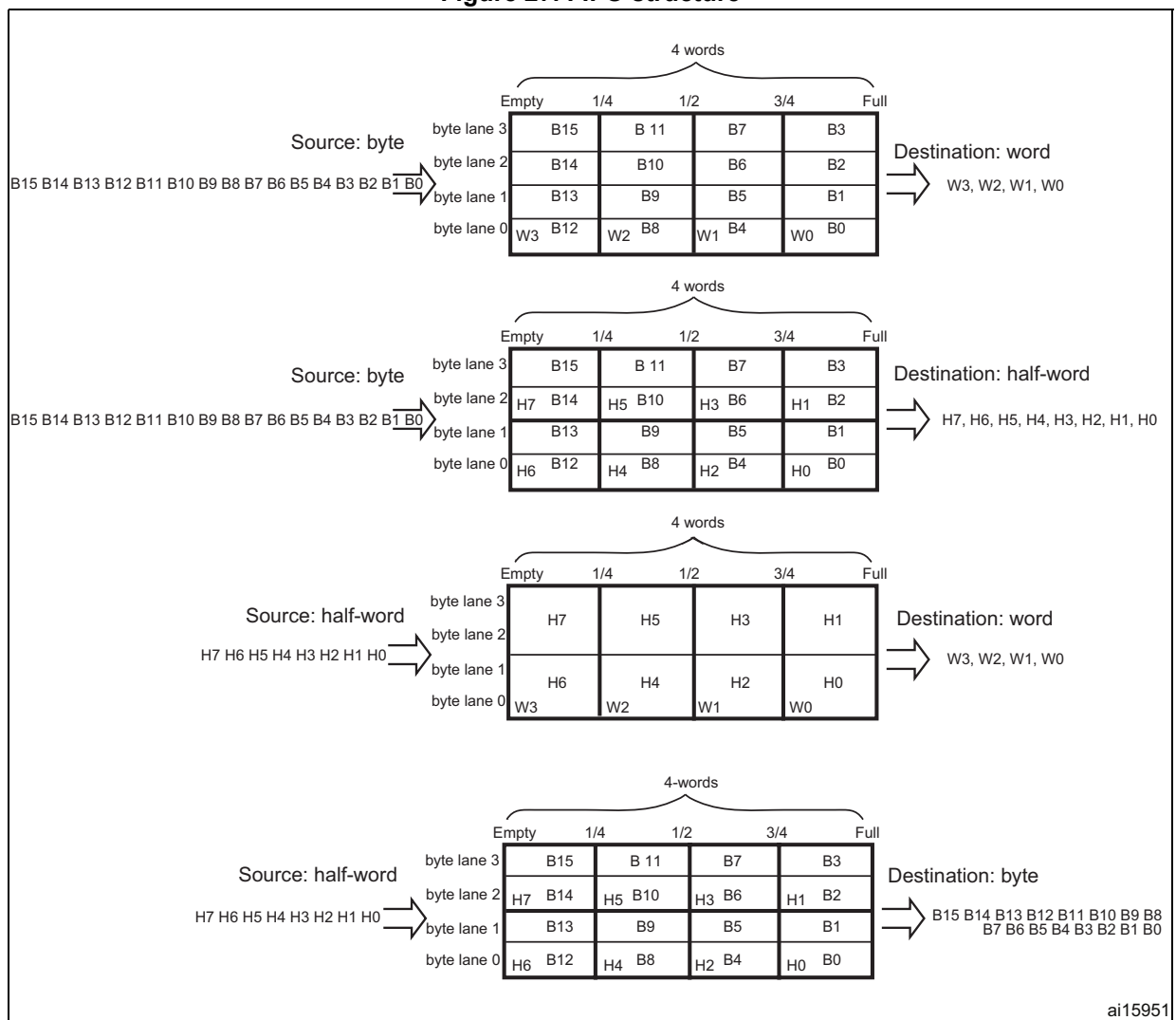
The FIFO is used to temporarily store data coming from the source before transmitting them to the destination.

Each stream has an independent 4-word FIFO and the threshold level is software-configurable between 1/4, 1/2, 3/4 or full.

To enable the use of the FIFO threshold level, the direct mode must be disabled by setting the DMDIS bit in the DMA_SxFCR register.

The structure of the FIFO differs depending on the source and destination data widths, and is described in [Figure 27](#).

Figure 27. FIFO structure



FIFO threshold and burst configuration

Caution is required when choosing the FIFO threshold (bits FTH[1:0] of the DMA_SxFCR register) and the size of the memory burst (MBURST[1:0] of the DMA_SxCR register): The content pointed by the FIFO threshold must exactly match to an integer number of memory burst transfers. If this is not in the case, a FIFO error (flag FEIFx of the DMA_HISR or DMA_LISR register) is generated when the stream is enabled, then the stream is automatically disabled. The allowed and forbidden configurations are described in the [Table 28](#).

Table 28. FIFO threshold configurations

MSIZE	FIFO level	MBURST = INCR4	MBURST = INCR8	MBURST = INCR16
Byte	1/4	1 burst of 4 beats	forbidden	forbidden
	1/2	2 bursts of 4 beats	1 burst of 8 beats	
	3/4	3 bursts of 4 beats	forbidden	
	Full	4 bursts of 4 beats	2 bursts of 8 beats	1 burst of 16 beats
Half-word	1/4	forbidden	forbidden	forbidden
	1/2	1 burst of 4 beats		
	3/4	forbidden		
	Full	2 bursts of 4 beats	1 burst of 8 beats	
Word	1/4	forbidden	forbidden	forbidden
	1/2			
	3/4			
	Full	1 burst of 4 beats		

In all cases, the burst size multiplied by the data size must not exceed the FIFO size (data size can be: 1 (byte), 2 (half-word) or 4 (word)).

Incomplete Burst transfer at the end of a DMA transfer may happen if one of the following conditions occurs:

- For the AHB peripheral port configuration: the total number of data items (set in the DMA_SxNDTR register) is not a multiple of the burst size multiplied by the data size
- For the AHB memory port configuration: the number of remaining data items in the FIFO to be transferred to the memory is not a multiple of the burst size multiplied by the data size

In such cases, the remaining data to be transferred is managed in single mode by the DMA, even if a burst transaction was requested during the DMA stream configuration.

*Note: When burst transfers are requested on the peripheral AHB port and the FIFO is used (DMDIS = 1 in the DMA_SxCR register), it is mandatory to respect the following rule to avoid permanent underrun or overrun conditions, depending on the DMA stream direction:
If (PBURST × PSIZE) = FIFO_SIZE (4 words), FIFO_Threshold = 3/4 is forbidden with PSIZE = 1, 2 or 4 and PBURST = 4, 8 or 16.*

This rule ensures that enough FIFO space at a time is free to serve the request from the peripheral.

FIFO flush

The FIFO can be flushed when the stream is disabled by resetting the EN bit in the DMA_SxCR register and when the stream is configured to manage peripheral-to-memory or memory-to-memory transfers: If some data are still present in the FIFO when the stream is disabled, the DMA controller continues transferring the remaining data to the destination (even though stream is effectively disabled). When this flush is completed, the transfer complete status bit (TCIFx) in the DMA_LISR or DMA_HISR register is set.

The remaining data counter DMA_SxNDTR keeps the value in this case to indicate how many data items are currently available in the destination memory.

Note that during the FIFO flush operation, if the number of remaining data items in the FIFO to be transferred to memory (in bytes) is less than the memory data width (for example 2 bytes in FIFO while MSIZE is configured to word), data is sent with the data width set in the MSIZE bit in the DMA_SxCR register. This means that memory is written with an undesired value. The software may read the DMA_SxNDTR register to determine the memory area that contains the good data (start address and last address).

If the number of remaining data items in the FIFO is lower than a burst size (if the MBURST bits in DMA_SxCR register are set to configure the stream to manage burst on the AHB memory port), single transactions are generated to complete the FIFO flush.

Direct mode

By default, the FIFO operates in direct mode (DMDIS bit in the DMA_SxFCR is reset) and the FIFO threshold level is not used. This mode is useful when the system requires an immediate and single transfer to or from the memory after each DMA request.

When the DMA is configured in direct mode (FIFO disabled), to transfer data in memory-to-peripheral mode, the DMA preloads one data from the memory to the internal FIFO to ensure an immediate data transfer as soon as a DMA request is triggered by a peripheral.

To avoid saturating the FIFO, it is recommended to configure the corresponding stream with a high priority.

This mode is restricted to transfers where:

- The source and destination transfer widths are equal and both defined by the PSIZE[1:0] bits in DMA_SxCR (MSIZE[1:0] bits are don't care)
- Burst transfers are not possible (PBURST[1:0] and MBURST[1:0] bits in DMA_SxCR are don't care)

Direct mode must not be used when implementing memory-to-memory transfers.

9.3.13 DMA transfer completion

Different events can generate an end of transfer by setting the TCIFx bit in the DMA_LISR or DMA_HISR status register:

- In DMA flow controller mode:
 - The DMA_SxNDTR counter has reached zero in the memory-to-peripheral mode
 - The stream is disabled before the end of transfer (by clearing the EN bit in the DMA_SxCR register) and (when transfers are peripheral-to-memory or memory-to-memory) all the remaining data have been flushed from the FIFO into the memory

- In Peripheral flow controller mode:
 - The last external burst or single request has been generated from the peripheral and (when the DMA is operating in peripheral-to-memory mode) the remaining data have been transferred from the FIFO into the memory
 - The stream is disabled by software, and (when the DMA is operating in peripheral-to-memory mode) the remaining data have been transferred from the FIFO into the memory

Note: The transfer completion is dependent on the remaining data in FIFO to be transferred into memory only in the case of peripheral-to-memory mode. This condition is not applicable in memory-to-peripheral mode.

If the stream is configured in noncircular mode, after the end of the transfer (that is when the number of data to be transferred reaches zero), the DMA is stopped (EN bit in DMA_SxCR register is cleared by Hardware) and no DMA request is served unless the software reprograms the stream and re-enables it (by setting the EN bit in the DMA_SxCR register).

9.3.14 DMA transfer suspension

At any time, a DMA transfer can be suspended to be restarted later on or to be definitively disabled before the end of the DMA transfer.

There are two cases:

- The stream disables the transfer with no later-on restart from the point where it was stopped. There is no particular action to do, except to clear the EN bit in the DMA_SxCR register to disable the stream. The stream may take time to be disabled (ongoing transfer is completed first). The transfer complete interrupt flag (TCIF in the DMA_LISR or DMA_HISR register) is set in order to indicate the end of transfer. The value of the EN bit in DMA_SxCR is now '0' to confirm the stream interruption. The DMA_SxNDTR register contains the number of remaining data items at the moment when the stream was stopped so that the software can determine how many data items have been transferred before the stream was interrupted.
- The stream suspends the transfer before the number of remaining data items to be transferred in the DMA_SxNDTR register reaches 0. The aim is to restart the transfer later by re-enabling the stream. In order to restart from the point where the transfer was stopped, the software has to read the DMA_SxNDTR register after disabling the stream by writing the EN bit in DMA_SxCR register (and then checking that it is at '0') to know the number of data items already collected. Then:
 - The peripheral and/or memory addresses have to be updated in order to adjust the address pointers
 - The SxNDTR register has to be updated with the remaining number of data items to be transferred (the value read when the stream was disabled)
 - The stream may then be re-enabled to restart the transfer from the point it was stopped

Note: Note that a Transfer complete interrupt flag (TCIF in DMA_LISR or DMA_HISR) is set to indicate the end of transfer due to the stream interruption.

9.3.15 Flow controller

The entity that controls the number of data to be transferred is known as the flow controller. This flow controller is configured independently for each stream using the PFCCTRL bit in the DMA_SxCR register.

The flow controller can be:

- The DMA controller: in this case, the number of data items to be transferred is programmed by software into the DMA_SxNDTR register before the DMA stream is enabled.
- The peripheral source or destination: this is the case when the number of data items to be transferred is unknown. The peripheral indicates by hardware to the DMA controller when the last data are being transferred. This feature is only supported for peripherals which are able to signal the end of the transfer, that is:
 - SDIO

When the peripheral flow controller is used for a given stream, the value written into the DMA_SxNDTR has no effect on the DMA transfer. Actually, whatever the value written, it is forced by hardware to 0xFFFF as soon as the stream is enabled, to respect the following schemes:

- Anticipated stream interruption: EN bit in DMA_SxCR register is reset to 0 by the software to stop the stream before the last data hardware signal (single or burst) is sent by the peripheral. In such a case, the stream is switched off and the FIFO flush is triggered in the case of a peripheral-to-memory DMA transfer. The TCIFx flag of the corresponding stream is set in the status register to indicate the DMA completion. To know the number of data items transferred during the DMA transfer, read the DMA_SxNDTR register and apply the following formula:
 - $\text{Number_of_data_transferred} = 0xFFFF - \text{DMA_SxNDTR}$
- Normal stream interruption due to the reception of a last data hardware signal: the stream is automatically interrupted when the peripheral requests the last transfer (single or burst) and when this transfer is complete. the TCIFx flag of the corresponding stream is set in the status register to indicate the DMA transfer completion. To know the number of data items transferred, read the DMA_SxNDTR register and apply the same formula as above.
- The DMA_SxNDTR register reaches 0: the TCIFx flag of the corresponding stream is set in the status register to indicate the forced DMA transfer completion. The stream is automatically switched off even though the last data hardware signal (single or burst) has not been yet asserted. The already transferred data are not lost. This means that a maximum of 65535 data items can be managed by the DMA in a single transaction, even in peripheral flow control mode.

Note: When configured in memory-to-memory mode, the DMA is always the flow controller and the PFCTRL bit is forced to 0 by hardware.

The Circular mode is forbidden in the peripheral flow controller mode.

9.3.16 Summary of the possible DMA configurations

Table 29 summarizes the different possible DMA configurations.

Table 29. Possible DMA configurations

DMA transfer mode	Source	Destination	Flow controller	Circular mode	Transfer type	Direct mode	Double buffer mode
Peripheral-to-memory	AHB peripheral port	AHB memory port	DMA	possible	single	possible	possible
					burst	forbidden	
			Peripheral	forbidden	single	possible	forbidden
					burst	forbidden	
Memory-to-peripheral	AHB memory port	AHB peripheral port	DMA	possible	single	possible	possible
					burst	forbidden	
			Peripheral	forbidden	single	possible	forbidden
					burst	forbidden	
Memory-to-memory	AHB peripheral port	AHB memory port	DMA only	forbidden	single	forbidden	forbidden
					burst		

9.3.17 Stream configuration procedure

The following sequence should be followed to configure a DMA stream x (where x is the stream number):

1. If the stream is enabled, disable it by resetting the EN bit in the DMA_SxCR register, then read this bit in order to confirm that there is no ongoing stream operation. Writing this bit to 0 is not immediately effective since it is actually written to 0 once all the current transfers have finished. When the EN bit is read as 0, this means that the stream is ready to be configured. It is therefore necessary to wait for the EN bit to be cleared before starting any stream configuration. All the stream dedicated bits set in the status register (DMA_LISR and DMA_HISR) from the previous data block DMA transfer should be cleared before the stream can be re-enabled.
2. Set the peripheral port register address in the DMA_SxPAR register. The data are moved from/ to this address to/ from the peripheral port after the peripheral event.
3. Set the memory address in the DMA_SxMA0R register (and in the DMA_SxMA1R register in the case of a double buffer mode). The data are written to or read from this memory after the peripheral event.
4. Configure the total number of data items to be transferred in the DMA_SxNDTR register. After each peripheral event or each beat of the burst, this value is decremented.
5. Select the DMA channel (request) using CHSEL[2:0] in the DMA_SxCR register.
6. If the peripheral is intended to be the flow controller and if it supports this feature, set the PFCTRL bit in the DMA_SxCR register.
7. Configure the stream priority using the PL[1:0] bits in the DMA_SxCR register.
8. Configure the FIFO usage (enable or disable, threshold in transmission and reception)
9. Configure the data transfer direction, peripheral and memory incremented/fixed mode, single or burst transactions, peripheral and memory data widths, Circular mode,

Double buffer mode and interrupts after half and/or full transfer, and/or errors in the DMA_SxCR register.

10. Activate the stream by setting the EN bit in the DMA_SxCR register.

As soon as the stream is enabled, it can serve any DMA request from the peripheral connected to the stream.

Once half the data have been transferred on the AHB destination port, the half-transfer flag (HTIF) is set and an interrupt is generated if the half-transfer interrupt enable bit (HTIE) is set. At the end of the transfer, the transfer complete flag (TCIF) is set and an interrupt is generated if the transfer complete interrupt enable bit (TCIE) is set.

Warning: To switch off a peripheral connected to a DMA stream request, it is mandatory to, first, switch off the DMA stream to which the peripheral is connected, then to wait for EN bit = 0. Only then can the peripheral be safely disabled.

9.3.18 Error management

The DMA controller can detect the following errors:

- **Transfer error:** the transfer error interrupt flag (TEIFx) is set when:
 - A bus error occurs during a DMA read or a write access
 - A write access is requested by software on a memory address register in Double buffer mode whereas the stream is enabled and the current target memory is the one impacted by the write into the memory address register (refer to [Section 9.3.9](#))
- **FIFO error:** the FIFO error interrupt flag (FEIFx) is set if:
 - A FIFO underrun condition is detected
 - A FIFO overrun condition is detected (no detection in memory-to-memory mode because requests and transfers are internally managed by the DMA)
 - The stream is enabled while the FIFO threshold level is not compatible with the size of the memory burst (refer to [Table 28](#))
- **Direct mode error:** the direct mode error interrupt flag (DMEIFx) can only be set in the peripheral-to-memory mode while operating in direct mode and when the MINC bit in the DMA_SxCR register is cleared. This flag is set when a DMA request occurs while the previous data have not yet been fully transferred into the memory (because the memory bus was not granted). In this case, the flag indicates that 2 data items were be transferred successively to the same destination address, which could be an issue if the destination is not able to manage this situation

In direct mode, the FIFO error flag can also be set under the following conditions:

- In the peripheral-to-memory mode, the FIFO can be saturated (overrun) if the memory bus is not granted for several peripheral requests
- In the memory-to-peripheral mode, an underrun condition may occur if the memory bus has not been granted before a peripheral request occurs

If the TEIFx or the FEIFx flag is set due to incompatibility between burst size and FIFO threshold level, the faulty stream is automatically disabled through a hardware clear of its EN bit in the corresponding stream configuration register (DMA_SxCR).

If the DMEIFx or the FEIFx flag is set due to an overrun or underrun condition, the faulty stream is not automatically disabled and it is up to the software to disable or not the stream by resetting the EN bit in the DMA_SxCR register. This is because there is no data loss when this kind of errors occur.

When the stream's error interrupt flag (TEIF, FEIF, DMEIF) in the DMA_LISR or DMA_HISR register is set, an interrupt is generated if the corresponding interrupt enable bit (TEIE, FEIE, DMIE) in the DMA_SxCR or DMA_SxFCR register is set.

Note: When a FIFO overrun or underrun condition occurs, the data are not lost because the peripheral request is not acknowledged by the stream until the overrun or underrun condition is cleared. If this acknowledge takes too much time, the peripheral itself may detect an overrun or underrun condition of its internal buffer and data might be lost.

9.4 DMA interrupts

For each DMA stream, an interrupt can be produced on the following events:

- Half-transfer reached
- Transfer complete
- Transfer error
- Fifo error (overrun, underrun or FIFO level error)
- Direct mode error

Separate interrupt enable control bits are available for flexibility as shown in [Table 30](#).

Table 30. DMA interrupt requests

Interrupt event	Event flag	Enable control bit
Half-transfer	HTIF	HTIE
Transfer complete	TCIF	TCIE
Transfer error	TEIF	TEIE
FIFO overrun/underrun	FEIF	FEIE
Direct mode error	DMEIF	DMEIE

Note: Before setting an Enable control bit to '1', the corresponding event flag should be cleared, otherwise an interrupt is immediately generated.

9.5 DMA registers

The DMA registers have to be accessed by words (32 bits).

9.5.1 DMA low interrupt status register (DMA_LISR)

Address offset: 0x00

Reset value: 0x0000 0000

31	30	29	28	27	26	25	24	23	22	21	20	19	18	17	16
Reserved				TCIF3	HTIF3	TEIF3	DMEIF3	Reserv ed	FEIF3	TCIF2	HTIF2	TEIF2	DMEIF2	Reserv ed	FEIF2
r	r	r	r	r	r	r	r		r	r	r	r	r		r
15	14	13	12	11	10	9	8	7	6	5	4	3	2	1	0
Reserved				TCIF1	HTIF1	TEIF1	DMEIF1	Reserv ed	FEIF1	TCIF0	HTIF0	TEIF0	DMEIF0	Reserv ed	FEIF0
r	r	r	r	r	r	r	r		r	r	r	r	r		r

Bits 31:28, 15:12 Reserved, must be kept at reset value.

Bits 27, 21, 11, 5 **TCIFx**: Stream x transfer complete interrupt flag (x = 3..0)

This bit is set by hardware. It is cleared by software writing 1 to the corresponding bit in the DMA_LIFCR register.

0: No transfer complete event on stream x

1: A transfer complete event occurred on stream x

Bits 26, 20, 10, 4 **HTIFx**: Stream x half transfer interrupt flag (x=3..0)

This bit is set by hardware. It is cleared by software writing 1 to the corresponding bit in the DMA_LIFCR register.

0: No half transfer event on stream x

1: A half transfer event occurred on stream x

Bits 25, 19, 9, 3 **TEIFx**: Stream x transfer error interrupt flag (x=3..0)

This bit is set by hardware. It is cleared by software writing 1 to the corresponding bit in the DMA_LIFCR register.

0: No transfer error on stream x

1: A transfer error occurred on stream x

Bits 24, 18, 8, 2 **DMEIFx**: Stream x direct mode error interrupt flag (x=3..0)

This bit is set by hardware. It is cleared by software writing 1 to the corresponding bit in the DMA_LIFCR register.

0: No Direct Mode Error on stream x

1: A Direct Mode Error occurred on stream x

Bits 23, 17, 7, 1 Reserved, must be kept at reset value.

Bits 22, 16, 6, 0 **FEIFx**: Stream x FIFO error interrupt flag (x=3..0)

This bit is set by hardware. It is cleared by software writing 1 to the corresponding bit in the DMA_LIFCR register.

0: No FIFO Error event on stream x

1: A FIFO Error event occurred on stream x

9.5.2 DMA high interrupt status register (DMA_HISR)

Address offset: 0x04

Reset value: 0x0000 0000

31	30	29	28	27	26	25	24	23	22	21	20	19	18	17	16
Reserved				TCIF7	HTIF7	TEIF7	DMEIF7	Reserv ed	FEIF7	TCIF6	HTIF6	TEIF6	DMEIF6	Reserv ed	FEIF6
				r	r	r	r		r	r	r	r	r		r
15	14	13	12	11	10	9	8	7	6	5	4	3	2	1	0
Reserved				TCIF5	HTIF5	TEIF5	DMEIF5	Reserv ed	FEIF5	TCIF4	HTIF4	TEIF4	DMEIF4	Reserv ed	FEIF4
				r	r	r	r		r	r	r	r	r		r

Bits 31:28, 15:12 Reserved, must be kept at reset value.

Bits 27, 21, 11, 5 **TCIFx**: Stream x transfer complete interrupt flag (x=7..4)

This bit is set by hardware. It is cleared by software writing 1 to the corresponding bit in the DMA_HIFCR register.

0: No transfer complete event on stream x

1: A transfer complete event occurred on stream x

Bits 26, 20, 10, 4 **HTIFx**: Stream x half transfer interrupt flag (x=7..4)

This bit is set by hardware. It is cleared by software writing 1 to the corresponding bit in the DMA_HIFCR register.

0: No half transfer event on stream x

1: A half transfer event occurred on stream x

Bits 25, 19, 9, 3 **TEIFx**: Stream x transfer error interrupt flag (x=7..4)

This bit is set by hardware. It is cleared by software writing 1 to the corresponding bit in the DMA_HIFCR register.

0: No transfer error on stream x

1: A transfer error occurred on stream x

Bits 24, 18, 8, 2 **DMEIFx**: Stream x direct mode error interrupt flag (x=7..4)

This bit is set by hardware. It is cleared by software writing 1 to the corresponding bit in the DMA_HIFCR register.

0: No Direct mode error on stream x

1: A Direct mode error occurred on stream x

Bits 23, 17, 7, 1 Reserved, must be kept at reset value.

Bits 22, 16, 6, 0 **FEIFx**: Stream x FIFO error interrupt flag (x=7..4)

This bit is set by hardware. It is cleared by software writing 1 to the corresponding bit in the DMA_HIFCR register.

0: No FIFO error event on stream x

1: A FIFO error event occurred on stream x

9.5.3 DMA low interrupt flag clear register (DMA_LIFCR)

Address offset: 0x08

Reset value: 0x0000 0000

31	30	29	28	27	26	25	24	23	22	21	20	19	18	17	16
Reserved				CTCIF3	CHTIF3	CTEIF3	CDMEIF3	Reserved	CFEIF3	CTCIF2	CHTIF2	CTEIF2	CDMEIF2	Reserved	CFEIF2
				w	w	w	w		w	w	w	w	w		w
15	14	13	12	11	10	9	8	7	6	5	4	3	2	1	0
Reserved				CTCIF1	CHTIF1	CTEIF1	CDMEIF1	Reserved	CFEIF1	CTCIF0	CHTIF0	CTEIF0	CDMEIF0	Reserved	CFEIF0
				w	w	w	w		w	w	w	w	w		w

Bits 31:28, 15:12 Reserved, must be kept at reset value.

Bits 27, 21, 11, 5 **CTCIFx**: Stream x clear transfer complete interrupt flag (x = 3..0)
 Writing 1 to this bit clears the corresponding TCIFx flag in the DMA_LISR register

Bits 26, 20, 10, 4 **CHTIFx**: Stream x clear half transfer interrupt flag (x = 3..0)
 Writing 1 to this bit clears the corresponding HTIFx flag in the DMA_LISR register

Bits 25, 19, 9, 3 **CTEIFx**: Stream x clear transfer error interrupt flag (x = 3..0)
 Writing 1 to this bit clears the corresponding TEIFx flag in the DMA_LISR register

Bits 24, 18, 8, 2 **CDMEIFx**: Stream x clear direct mode error interrupt flag (x = 3..0)
 Writing 1 to this bit clears the corresponding DMEIFx flag in the DMA_LISR register

Bits 23, 17, 7, 1 Reserved, must be kept at reset value.

Bits 22, 16, 6, 0 **CFEIFx**: Stream x clear FIFO error interrupt flag (x = 3..0)
 Writing 1 to this bit clears the corresponding CFEIFx flag in the DMA_LISR register

9.5.4 DMA high interrupt flag clear register (DMA_HIFCR)

Address offset: 0x0C

Reset value: 0x0000 0000

31	30	29	28	27	26	25	24	23	22	21	20	19	18	17	16
Reserved				CTCIF7	CHTIF7	CTEIF7	CDMEIF7	Reserved	CFEIF7	CTCIF6	CHTIF6	CTEIF6	CDMEIF6	Reserved	CFEIF6
				w	w	w	w		w	w	w	w	w		w
15	14	13	12	11	10	9	8	7	6	5	4	3	2	1	0
Reserved				CTCIF5	CHTIF5	CTEIF5	CDMEIF5	Reserved	CFEIF5	CTCIF4	CHTIF4	CTEIF4	CDMEIF4	Reserved	CFEIF4
				w	w	w	w		w	w	w	w	w		w

Bits 31:28, 15:12 Reserved, must be kept at reset value.

Bits 27, 21, 11, 5 **CTCIFx**: Stream x clear transfer complete interrupt flag (x = 7..4)
 Writing 1 to this bit clears the corresponding TCIFx flag in the DMA_HISR register

Bits 26, 20, 10, 4 **CHTIFx**: Stream x clear half transfer interrupt flag (x = 7..4)
 Writing 1 to this bit clears the corresponding HTIFx flag in the DMA_HISR register

Bits 25, 19, 9, 3 **CTEIFx**: Stream x clear transfer error interrupt flag (x = 7..4)
 Writing 1 to this bit clears the corresponding TEIFx flag in the DMA_HISR register



Bits 24, 18, 8, 2 **CDMEIFx**: Stream x clear direct mode error interrupt flag (x = 7..4)
 Writing 1 to this bit clears the corresponding DMEIFx flag in the DMA_HISR register

Bits 23, 17, 7, 1 Reserved, must be kept at reset value.

Bits 22, 16, 6, 0 **CFEIFx**: Stream x clear FIFO error interrupt flag (x = 7..4)
 Writing 1 to this bit clears the corresponding CFEIFx flag in the DMA_HISR register

9.5.5 DMA stream x configuration register (DMA_SxCR) (x = 0..7)

This register is used to configure the concerned stream.

Address offset: 0x10 + 0x18 × *stream number*

Reset value: 0x0000 0000

31	30	29	28	27	26	25	24	23	22	21	20	19	18	17	16
Reserved				CHSEL[2:0]			MBURST [1:0]		PBURST[1:0]		Reser-ved	CT	DBM	PL[1:0]	
				r/w	r/w	r/w	r/w	r/w	r/w	r/w		r/w	r/w	r/w	r/w
15	14	13	12	11	10	9	8	7	6	5	4	3	2	1	0
PINCOS	MSIZE[1:0]		PSIZE[1:0]		MINC	PINC	CIRC	DIR[1:0]		PFCTRL	TCIE	HTIE	TEIE	DMEIE	EN
r/w	r/w	r/w	r/w	r/w	r/w	r/w	r/w	r/w	r/w	r/w	r/w	r/w	r/w	r/w	r/w

Bits 31:28 Reserved, must be kept at reset value.

Bits 27:25 **CHSEL[2:0]**: Channel selection

These bits are set and cleared by software.

000: channel 0 selected

001: channel 1 selected

010: channel 2 selected

011: channel 3 selected

100: channel 4 selected

101: channel 5 selected

110: channel 6 selected

111: channel 7 selected

These bits are protected and can be written only if EN is '0'

Bits 24:23 **MBURST**: Memory burst transfer configuration

These bits are set and cleared by software.

00: single transfer

01: INCR4 (incremental burst of 4 beats)

10: INCR8 (incremental burst of 8 beats)

11: INCR16 (incremental burst of 16 beats)

These bits are protected and can be written only if EN is '0'

In direct mode, these bits are forced to 0x0 by hardware as soon as bit EN= '1'.

Bits 22:21 **PBURST[1:0]**: Peripheral burst transfer configuration

These bits are set and cleared by software.

00: single transfer

01: INCR4 (incremental burst of 4 beats)

10: INCR8 (incremental burst of 8 beats)

11: INCR16 (incremental burst of 16 beats)

These bits are protected and can be written only if EN is '0'

In direct mode, these bits are forced to 0x0 by hardware.

Bit 20 Reserved, must be kept at reset value.

- Bit 19 **CT**: Current target (only in double buffer mode)
 This bits is set and cleared by hardware. It can also be written by software.
 0: The current target memory is Memory 0 (addressed by the DMA_SxM0AR pointer)
 1: The current target memory is Memory 1 (addressed by the DMA_SxM1AR pointer)
 This bit can be written only if EN is '0' to indicate the target memory area of the first transfer.
 Once the stream is enabled, this bit operates as a status flag indicating which memory area is the current target.
- Bit 18 **DBM**: Double buffer mode
 This bits is set and cleared by software.
 0: No buffer switching at the end of transfer
 1: Memory target switched at the end of the DMA transfer
 This bit is protected and can be written only if EN is '0'.
- Bits 17:16 **PL[1:0]**: Priority level
 These bits are set and cleared by software.
 00: Low
 01: Medium
 10: High
 11: Very high
 These bits are protected and can be written only if EN is '0'.
- Bit 15 **PINCOS**: Peripheral increment offset size
 This bit is set and cleared by software
 0: The offset size for the peripheral address calculation is linked to the PSIZE
 1: The offset size for the peripheral address calculation is fixed to 4 (32-bit alignment).
 This bit has no meaning if bit PINC = '0'.
 This bit is protected and can be written only if EN = '0'.
 This bit is forced low by hardware when the stream is enabled (bit EN = '1') if the direct mode is selected or if PBURST are different from "00".
- Bits 14:13 **MSIZE[1:0]**: Memory data size
 These bits are set and cleared by software.
 00: byte (8-bit)
 01: half-word (16-bit)
 10: word (32-bit)
 11: reserved
 These bits are protected and can be written only if EN is '0'.
 In direct mode, MSIZE is forced by hardware to the same value as PSIZE as soon as bit EN = '1'.
- Bits 12:11 **PSIZE[1:0]**: Peripheral data size
 These bits are set and cleared by software.
 00: Byte (8-bit)
 01: Half-word (16-bit)
 10: Word (32-bit)
 11: reserved
 These bits are protected and can be written only if EN is '0'.
- Bit 10 **MINC**: Memory increment mode
 This bit is set and cleared by software.
 0: Memory address pointer is fixed
 1: Memory address pointer is incremented after each data transfer (increment is done according to MSIZE)
 This bit is protected and can be written only if EN is '0'.

- Bit 9 **PINC**: Peripheral increment mode
This bit is set and cleared by software.
0: Peripheral address pointer is fixed
1: Peripheral address pointer is incremented after each data transfer (increment is done according to PSIZE)
This bit is protected and can be written only if EN is '0'.
- Bit 8 **CIRC**: Circular mode
This bit is set and cleared by software and can be cleared by hardware.
0: Circular mode disabled
1: Circular mode enabled
When the peripheral is the flow controller (bit PFCTRL=1) and the stream is enabled (bit EN=1), then this bit is automatically forced by hardware to 0.
It is automatically forced by hardware to 1 if the DBM bit is set, as soon as the stream is enabled (bit EN='1').
- Bits 7:6 **DIR[1:0]**: Data transfer direction
These bits are set and cleared by software.
00: Peripheral-to-memory
01: Memory-to-peripheral
10: Memory-to-memory
11: reserved
These bits are protected and can be written only if EN is '0'.
- Bit 5 **PFCTRL**: Peripheral flow controller
This bit is set and cleared by software.
0: The DMA is the flow controller
1: The peripheral is the flow controller
This bit is protected and can be written only if EN is '0'.
When the memory-to-memory mode is selected (bits DIR[1:0]=10), then this bit is automatically forced to 0 by hardware.
- Bit 4 **TCIE**: Transfer complete interrupt enable
This bit is set and cleared by software.
0: TC interrupt disabled
1: TC interrupt enabled
- Bit 3 **HTIE**: Half transfer interrupt enable
This bit is set and cleared by software.
0: HT interrupt disabled
1: HT interrupt enabled
- Bit 2 **TEIE**: Transfer error interrupt enable
This bit is set and cleared by software.
0: TE interrupt disabled
1: TE interrupt enabled
- Bit 1 **DMEIE**: Direct mode error interrupt enable
This bit is set and cleared by software.
0: DME interrupt disabled
1: DME interrupt enabled

Bit 0 **EN**: Stream enable / flag stream ready when read low

This bit is set and cleared by software.

0: Stream disabled

1: Stream enabled

This bit may be cleared by hardware:

- on a DMA end of transfer (stream ready to be configured)
- if a transfer error occurs on the AHB master buses
- when the FIFO threshold on memory AHB port is not compatible with the size of the burst

When this bit is read as 0, the software is allowed to program the Configuration and FIFO bits registers. It is forbidden to write these registers when the EN bit is read as 1.

Note: Before setting EN bit to '1' to start a new transfer, the event flags corresponding to the stream in DMA_LISR or DMA_HISR register must be cleared.

9.5.6 DMA stream x number of data register (DMA_SxNDTR) (x = 0..7)

Address offset: $0x14 + 0x18 \times \text{stream number}$

Reset value: 0x0000 0000

31	30	29	28	27	26	25	24	23	22	21	20	19	18	17	16
Reserved															
15	14	13	12	11	10	9	8	7	6	5	4	3	2	1	0
NDT[15:0]															
rw	rw	rw	rw	rw	rw	rw	rw	rw	rw	rw	rw	rw	rw	rw	rw

Bits 31:16 Reserved, must be kept at reset value.

Bits 15:0 **NDT[15:0]**: Number of data items to transfer

Number of data items to be transferred (0 up to 65535). This register can be written only when the stream is disabled. When the stream is enabled, this register is read-only, indicating the remaining data items to be transmitted. This register decrements after each DMA transfer.

Once the transfer has completed, this register can either stay at zero (when the stream is in normal mode) or be reloaded automatically with the previously programmed value in the following cases:

- when the stream is configured in Circular mode.
- when the stream is enabled again by setting EN bit to '1'

If the value of this register is zero, no transaction can be served even if the stream is enabled.

9.5.7 DMA stream x peripheral address register (DMA_SxPAR) (x = 0..7)

Address offset: $0x18 + 0x18 \times \text{stream number}$

Reset value: 0x0000 0000

31	30	29	28	27	26	25	24	23	22	21	20	19	18	17	16
PAR[31:16]															
rW	rW	rW	rW	rW	rW	rW	rW	rW	rW	rW	rW	rW	rW	rW	rW
15	14	13	12	11	10	9	8	7	6	5	4	3	2	1	0
PAR[15:0]															
rW	rW	rW	rW	rW	rW	rW	rW	rW	rW	rW	rW	rW	rW	rW	rW

Bits 31:0 **PAR[31:0]**: Peripheral address

Base address of the peripheral data register from/to which the data are read/written.

These bits are write-protected and can be written only when bit EN = '0' in the DMA_SxCR register.

9.5.8 DMA stream x memory 0 address register (DMA_SxM0AR) (x = 0..7)

Address offset: $0x1C + 0x18 \times stream\ number$

Reset value: 0x0000 0000

31	30	29	28	27	26	25	24	23	22	21	20	19	18	17	16
M0A[31:16]															
rW	rW	rW	rW	rW	rW	rW	rW	rW	rW	rW	rW	rW	rW	rW	rW
15	14	13	12	11	10	9	8	7	6	5	4	3	2	1	0
M0A[15:0]															
rW	rW	rW	rW	rW	rW	rW	rW	rW	rW	rW	rW	rW	rW	rW	rW

Bits 31:0 **M0A[31:0]**: Memory 0 address

Base address of Memory area 0 from/to which the data are read/written.

These bits are write-protected. They can be written only if:

- the stream is disabled (bit EN= '0' in the DMA_SxCR register) or
- the stream is enabled (EN='1' in DMA_SxCR register) and bit CT = '1' in the DMA_SxCR register (in Double buffer mode).

9.5.9 DMA stream x memory 1 address register (DMA_SxM1AR) (x = 0..7)

Address offset: $0x20 + 0x18 \times stream\ number$

Reset value: 0x0000 0000

31	30	29	28	27	26	25	24	23	22	21	20	19	18	17	16
M1A[31:16]															
rW	rW	rW	rW	rW	rW	rW	rW	rW	rW	rW	rW	rW	rW	rW	rW
15	14	13	12	11	10	9	8	7	6	5	4	3	2	1	0
M1A[15:0]															
rW	rW	rW	rW	rW	rW	rW	rW	rW	rW	rW	rW	rW	rW	rW	rW

Bits 31:0 **M1A[31:0]**: Memory 1 address (used in case of Double buffer mode)

Base address of Memory area 1 from/to which the data are read/written.

This register is used only for the Double buffer mode.

These bits are write-protected. They can be written only if:

- the stream is disabled (bit EN= '0' in the DMA_SxCR register) or
- the stream is enabled (EN='1' in DMA_SxCR register) and bit CT = '0' in the DMA_SxCR register.

9.5.10 DMA stream x FIFO control register (DMA_SxFCR) (x = 0..7)

Address offset: 0x24 + 0x18 × *stream number*

Reset value: 0x0000 0021

31	30	29	28	27	26	25	24	23	22	21	20	19	18	17	16
Reserved															
15	14	13	12	11	10	9	8	7	6	5	4	3	2	1	0
Reserved								FEIE	Reser ved	FS[2:0]			DMDIS	FTH[1:0]	
								rw		r	r	r	rw	rw	rw

Bits 31:8 Reserved, must be kept at reset value.

Bit 7 **FEIE**: FIFO error interrupt enable

This bit is set and cleared by software.

0: FE interrupt disabled

1: FE interrupt enabled

Bit 6 Reserved, must be kept at reset value.

Bits 5:3 **FS[2:0]**: FIFO status

These bits are read-only.

000: 0 < fifo_level < 1/4

001: 1/4 ≤ fifo_level < 1/2

010: 1/2 ≤ fifo_level < 3/4

011: 3/4 ≤ fifo_level < full

100: FIFO is empty

101: FIFO is full

others: no meaning

These bits are not relevant in the direct mode (DMDIS bit is zero).

Bit 2 **DMDIS**: Direct mode disable

This bit is set and cleared by software. It can be set by hardware.

0: Direct mode enabled

1: Direct mode disabled

This bit is protected and can be written only if EN is '0'.

This bit is set by hardware if the memory-to-memory mode is selected (DIR bit in DMA_SxCR are "10") and the EN bit in the DMA_SxCR register is '1' because the direct mode is not allowed in the memory-to-memory configuration.

Bits 1:0 **FTH[1:0]**: FIFO threshold selection

These bits are set and cleared by software.

00: 1/4 full FIFO

01: 1/2 full FIFO

10: 3/4 full FIFO

11: full FIFO

These bits are not used in the direct mode when the DMIS value is zero.

These bits are protected and can be written only if EN is '0'.

9.5.11 DMA register map

Table 31 summarizes the DMA registers.

Table 31. DMA register map and reset values

Offset	Register	31	30	29	28	27	26	25	24	23	22	21	20	19	18	17	16	15	14	13	12	11	10	9	8	7	6	5	4	3	2	1	0								
0x0000	DMA_LISR	Reserved				TCIF3	HTIF3	TEIF3	DMEIF3	Reserved	FEIF3	TCIF2	HTIF2	TEIF2	DMEIF2	Reserved	FEIF2	Reserved										TCIF1	HTIF1	TEIF1	DMEIF1	Reserved	FEIF1	TCIF0	HTIF0	TEIF0	DMEIF0	Reserved	FEIF0		
	Reset value					0	0	0	0	0	0	0	0	0	0	0	0	0											0	0	0	0	0	0	0	0	0	0	0	0	0
0x0004	DMA_HISR	Reserved				TCIF7	HTIF7	TEIF7	DMEIF7	Reserved	FEIF7	TCIF6	HTIF6	TEIF6	DMEIF6	Reserved	FEIF6	Reserved										TCIF5	HTIF5	TEIF5	DMEIF5	Reserved	FEIF5	TCIF4	HTIF4	TEIF4	DMEIF4	Reserved	FEIF4		
	Reset value					0	0	0	0	0	0	0	0	0	0	0	0	0											0	0	0	0	0	0	0	0	0	0	0	0	
0x0008	DMA_LIFCR	Reserved				CTCIF3	CHTIF3	TEIF3	CDMEIF3	Reserved	CFEIF3	CTCIF2	CHTIF2	CTEIF2	CDMEIF2	Reserved	CFEIF2	Reserved										CTCIF1	CHTIF1	CTEIF1	CDMEIF1	Reserved	CFEIF1	CTCIF0	CHTIF0	CTEIF0	CDMEIF0	Reserved	CFEIF0		
	Reset value					0	0	0	0	0	0	0	0	0	0	0	0	0											0	0	0	0	0	0	0	0	0	0	0	0	
0x000C	DMA_HIFCR	Reserved				CTCIF7	CHTIF7	CTEIF7	CDMEIF7	Reserved	CFEIF7	CTCIF6	CHTIF6	CTEIF6	CDMEIF6	-	CFEIF6	Reserved										CTCIF5	CHTIF5	CTEIF5	CDMEIF5	-	CFEIF5	CTCIF4	CHTIF4	CTEIF4	CDMEIF4	-	CFEIF4		
	Reset value					0	0	0	0	0	0	0	0	0	0	0	0											0	0	0	0	0	0	0	0	0	0	0	0		
0x0010	DMA_S0CR	Reserved				CHSEL[2:0]		MBURST[1:0]		PBURST[1:0]		Reserved		CT	DBM	PL[1:0]	PINCOS		MSIZE[1:0]		PSIZE[1:0]		MNC	PINC	CIRC	DIR[1:0]		PFCTRL		TCIE	HTIE	TEIE	DMEIE	EN							
	Reset value					0	0	0	0	0	0	0	0	0	0	0	0	0	0	0	0	0	0	0	0	0	0	0	0	0	0	0	0	0							
0x0014	DMA_S0NDTR	Reserved															NDT[15:]																								
	Reset value																0	0	0	0	0	0	0	0	0	0	0	0	0	0	0	0	0	0	0	0	0	0	0	0	0
0x0018	DMA_S0PAR	PA[31:0]																																							
	Reset value	0	0	0	0	0	0	0	0	0	0	0	0	0	0	0	0	0	0	0	0	0	0	0	0	0	0	0	0	0	0	0	0	0							
0x001C	DMA_S0M0AR	M0A[31:0]																																							
	Reset value	0	0	0	0	0	0	0	0	0	0	0	0	0	0	0	0	0	0	0	0	0	0	0	0	0	0	0	0	0	0	0	0	0							
0x0020	DMA_S0M1AR	M1A[31:0]																																							
	Reset value	0	0	0	0	0	0	0	0	0	0	0	0	0	0	0	0	0	0	0	0	0	0	0	0	0	0	0	0	0	0	0	0	0							
0x0024	DMA_S0FCR	Reserved																								FEIE	FS[2:0]		DMDIS		FTH[1:0]										
	Reset value																									0	Reserved	1	0	0	0	0	1								
0x0028	DMA_S1CR	Reserved				CHSEL [2:0]		MBURST[1:1]		PBURST[1:0]		Reserved		CT	DBM	PL[1:0]	PINCOS		MSIZE[1:0]		PSIZE[1:0]		MNC	PINC	CIRC	DIR[1:0]		PFCTRL		TCIE	HTIE	TEIE	DMEIE	EN							
	Reset value					0	0	0	0	0	0	0	0	0	0	0	0	0	0	0	0	0	0	0	0	0	0	0	0	0	0	0	0	0							
0x002C	DMA_S1NDTR	Reserved															NDT[15:]																								
	Reset value																0	0	0	0	0	0	0	0	0	0	0	0	0	0	0	0	0	0	0	0	0	0	0	0	0



Table 31. DMA register map and reset values (continued)

Offset	Register	31	30	29	28	27	26	25	24	23	22	21	20	19	18	17	16	15	14	13	12	11	10	9	8	7	6	5	4	3	2	1	0	
0x0030	DMA_S1PAR	PA[31:0]																																
	Reset value	0	0	0	0	0	0	0	0	0	0	0	0	0	0	0	0	0	0	0	0	0	0	0	0	0	0	0	0	0	0	0	0	0
0x0034	DMA_S1M0AR	M0A[31:0]																																
	Reset value	0	0	0	0	0	0	0	0	0	0	0	0	0	0	0	0	0	0	0	0	0	0	0	0	0	0	0	0	0	0	0	0	0
0x0038	DMA_S1M1AR	M1A[31:0]																																
	Reset value	0	0	0	0	0	0	0	0	0	0	0	0	0	0	0	0	0	0	0	0	0	0	0	0	0	0	0	0	0	0	0	0	0
0x003C	DMA_S1FCR	Reserved																								FEIE	Reserved		FS[2:0]		DMDIS	FTH		
	Reset value																									0	0	1	0	0	0	0	1	
0x0040	DMA_S2CR	Reserved		CHSEL [2:0]		MBURST[1:0]		PBURST[1:0]		Reserved		CT	DBM	PL[1:0]	PINCOS	MSIZE[1:0]		PSIZE[1:0]		MINC	PINC	CIRC	DIR [1:0]	PFCTRL	TCIE	HTIE	TEIE	DMEIE	EN					
	Reset value			0	0	0	0	0	0	0	0	0	0	0	0	0	0	0	0	0	0	0	0	0	0	0	0	0	0	0	0			
0x0044	DMA_S2NDTR	Reserved															NDT[15:]																	
	Reset value																0																	
0x0048	DMA_S2PAR	PA[31:0]																																
	Reset value	0	0	0	0	0	0	0	0	0	0	0	0	0	0	0	0	0	0	0	0	0	0	0	0	0	0	0	0	0	0	0	0	0
0x004C	DMA_S2M0AR	M0A[31:0]																																
	Reset value	0	0	0	0	0	0	0	0	0	0	0	0	0	0	0	0	0	0	0	0	0	0	0	0	0	0	0	0	0	0	0	0	0
0x0050	DMA_S2M1AR	M1A[31:0]																																
	Reset value	0	0	0	0	0	0	0	0	0	0	0	0	0	0	0	0	0	0	0	0	0	0	0	0	0	0	0	0	0	0	0	0	0
0x0054	DMA_S2FCR	Reserved																								FEIE	Reserved		FS[2:0]		DMDIS	FTH		
	Reset value																									0	0	1	0	0	0	0	1	
0x0058	DMA_S3CR	Reserved		CHSEL[2:0]		MBURST[1:0]		PBURST[1:0]		Reserved		CT	DBM	PL[1:0]	PINCOS	MSIZE[1:0]		PSIZE[1:0]		MINC	PINC	CIRC	DIR[1:0]	PFCTRL	TCIE	HTIE	TEIE	DMEIE	EN					
	Reset value			0	0	0	0	0	0	0	0	0	0	0	0	0	0	0	0	0	0	0	0	0	0	0	0	0	0	0	0			
0x005C	DMA_S3NDTR	Reserved															NDT[15:]																	
	Reset value																0																	
0x0060	DMA_S3PAR	PA[31:0]																																
	Reset value	0	0	0	0	0	0	0	0	0	0	0	0	0	0	0	0	0	0	0	0	0	0	0	0	0	0	0	0	0	0	0	0	0
0x0064	DMA_S3M0AR	M0A[31:0]																																
	Reset value	0	0	0	0	0	0	0	0	0	0	0	0	0	0	0	0	0	0	0	0	0	0	0	0	0	0	0	0	0	0	0	0	0



Table 31. DMA register map and reset values (continued)

Offset	Register	31	30	29	28	27	26	25	24	23	22	21	20	19	18	17	16	15	14	13	12	11	10	9	8	7	6	5	4	3	2	1	0											
0x0068	DMA_S3M1AR	M1A[31:0]																																										
	Reset value	0	0	0	0	0	0	0	0	0	0	0	0	0	0	0	0	0	0	0	0	0	0	0	0	0	0	0	0	0	0	0	0	0										
0x006C	DMA_S3FCR	Reserved																								FEIE	Reserved	FS[2:0]			DMDIS	FTH												
	Reset value																									0		1	0	0	0	0	1											
0x0070	DMA_S4CR	Reserved				CHSEL[2:0]		MBURST[1:0]		PBURST[1:0]		Reserved	CT	DBM	PL[1:0]	PINCOS	MSIZE[1:0]		PSIZE[1:0]		MINC	PINC	CIRC	DIR	Reserved	PFCCTRL	TCIE	HTIE	TEIE	DMEIE	EN													
	Reset value					0	0	0	0	0	0	0	0	0	0	0	0	0	0	0	0	0	0	0	0	0	0	0	0	0	0	0												
0x0074	DMA_S4NDTR	Reserved														NDT[15:]																												
	Reset value															0	0	0	0	0	0	0	0	0	0	0	0	0	0	0	0	0	0	0	0	0	0	0	0	0	0	0	0	0
0x0078	DMA_S4PAR	PA[31:0]																																										
	Reset value	0	0	0	0	0	0	0	0	0	0	0	0	0	0	0	0	0	0	0	0	0	0	0	0	0	0	0	0	0	0	0	0	0										
0x007C	DMA_S4M0AR	M0A[31:0]																																										
	Reset value	0	0	0	0	0	0	0	0	0	0	0	0	0	0	0	0	0	0	0	0	0	0	0	0	0	0	0	0	0	0	0	0	0										
0x0080	DMA_S4M1AR	M1A[31:0]																																										
	Reset value	0	0	0	0	0	0	0	0	0	0	0	0	0	0	0	0	0	0	0	0	0	0	0	0	0	0	0	0	0	0	0	0	0										
0x0084	DMA_S4FCR	Reserved																								FEIE	Reserved	FS[2:0]			DMDIS	FTH												
	Reset value																									0		1	0	0	0	0	1											
0x0088	DMA_S5CR	Reserved				CHSEL[2:0]		MBURST[1:0]		PBURST[1:0]		Reserved	CT	DBM	PL[1:0]	PINCOS	MSIZE[1:0]		PSIZE[1:0]		MINC	PINC	CIRC	DIR	Reserved	PFCCTRL	TCIE	HTIE	TEIE	DMEIE	EN													
	Reset value					0	0	0	0	0	0	0	0	0	0	0	0	0	0	0	0	0	0	0	0	0	0	0	0	0	0	0												
0x008C	DMA_S5NDTR	Reserved														NDT[15:]																												
	Reset value															0	0	0	0	0	0	0	0	0	0	0	0	0	0	0	0	0	0	0	0	0	0	0	0	0	0	0	0	0
0x0090	DMA_S5PAR	PA[31:0]																																										
	Reset value	0	0	0	0	0	0	0	0	0	0	0	0	0	0	0	0	0	0	0	0	0	0	0	0	0	0	0	0	0	0	0	0	0										
0x0094	DMA_S5M0AR	M0A[31:0]																																										
	Reset value	0	0	0	0	0	0	0	0	0	0	0	0	0	0	0	0	0	0	0	0	0	0	0	0	0	0	0	0	0	0	0	0	0										
0x0098	DMA_S5M1AR	M1A[31:0]																																										
	Reset value	0	0	0	0	0	0	0	0	0	0	0	0	0	0	0	0	0	0	0	0	0	0	0	0	0	0	0	0	0	0	0	0	0										
0x009C	DMA_S5FCR	Reserved																								FEIE	Reserved	FS[2:0]			DMDIS	FTH												
	Reset value																									0		1	0	0	0	0	1											
0x00A0	DMA_S6CR	Reserved				CHSEL[2:0]		MBURST[1:0]		PBURST[1:0]		Reserved	CT	DBM	PL[1:0]	PINCOS	MSIZE[1:0]		PSIZE[1:0]		MINC	PINC	CIRC	DIR	Reserved	PFCCTRL	TCIE	HTIE	TEIE	DMEIE	EN													
	Reset value					0	0	0	0	0	0	0	0	0	0	0	0	0	0	0	0	0	0	0	0	0	0	0	0	0	0	0												
0x00A4	DMA_S6NDTR	Reserved														NDT[15:]																												
	Reset value															0	0	0	0	0	0	0	0	0	0	0	0	0	0	0	0	0	0	0	0	0	0	0	0	0	0	0	0	0
0x00A8	DMA_S6PAR	PA[31:0]																																										
	Reset value	0	0	0	0	0	0	0	0	0	0	0	0	0	0	0	0	0	0	0	0	0	0	0	0	0	0	0	0	0	0	0	0	0										



Table 31. DMA register map and reset values (continued)

Offset	Register	31	30	29	28	27	26	25	24	23	22	21	20	19	18	17	16	15	14	13	12	11	10	9	8	7	6	5	4	3	2	1	0	
0x00AC	DMA_S6M0AR	M0A[31:0]																																
	Reset value	0	0	0	0	0	0	0	0	0	0	0	0	0	0	0	0	0	0	0	0	0	0	0	0	0	0	0	0	0	0	0	0	0
0x00B0	DMA_S6M1AR	M1A[31:0]																																
	Reset value	0	0	0	0	0	0	0	0	0	0	0	0	0	0	0	0	0	0	0	0	0	0	0	0	0	0	0	0	0	0	0	0	0
0x00B4	DMA_S6FCR	Reserved																								FEIE	Reserved	FS[2:0]			DMDIS		FTH [1:0]	
	Reset value																									0	Reserved	1 0 0			0 0		0 1	
0x00B8	DMA_S7CR	Reserved				CHSEL[2:0]		MBURST[1:0]		PBURST[1:0]		Reserved	CT	DBM	PL[1:0]	PINCOS	MSIZE[1:0]		PSIZE[1:0]		MNC	PINC	CIRC	DIR[1:0]		PFCTRL	TCIE	HTIE	TEIE	DMEIE	EN			
	Reset value					0 0 0		0 0		0 0			0	0	0 0	-	0 0		0 0		0	0	0	0 0		0	0	0	0	0	0			
0x00BC	DMA_S7NDTR	Reserved													NDT[15:.]																			
	Reset value														0 0																			
0x00C0	DMA_S7PAR	PA[31:0]																																
	Reset value	0	0	0	0	0	0	0	0	0	0	0	0	0	0	0	0	0	0	0	0	0	0	0	0	0	0	0	0	0	0	0	0	0
0x00C4	DMA_S7M0AR	M0A[31:0]																																
	Reset value	0	0	0	0	0	0	0	0	0	0	0	0	0	0	0	0	0	0	0	0	0	0	0	0	0	0	0	0	0	0	0	0	0
0x00C8	DMA_S7M1AR	M1A[31:0]																																
	Reset value	0	0	0	0	0	0	0	0	0	0	0	0	0	0	0	0	0	0	0	0	0	0	0	0	0	0	0	0	0	0	0	0	0
0x00CC	DMA_S7FCR	Reserved																								FEIE	Reserved	FS[2:0]			DMDIS		FTH [1:0]	
	Reset value																									0	Reserved	1 0 0			0 0		0 1	

Refer to [Section 2.3: Memory map](#) for the register boundary addresses.



10 Analog-to-digital converter (ADC)

This section applies to the whole STM32F20x and STM32F21x family, unless otherwise specified.

10.1 ADC introduction

The 12-bit ADC is a successive approximation analog-to-digital converter. It has up to 19 multiplexed channels allowing it to measure signals from 16 external sources, two internal sources, and the V_{BAT} channel. The A/D conversion of the channels can be performed in single, continuous, scan or discontinuous mode. The result of the ADC is stored into a left- or right-aligned 16-bit data register.

The analog watchdog feature allows the application to detect if the input voltage goes beyond the user-defined, higher or lower thresholds.

10.2 ADC main features

- 12-bit, 10-bit, 8-bit or 6-bit configurable resolution
- Interrupt generation at the end of conversion, end of injected conversion, and in case of analog watchdog or overrun events
- Single and continuous conversion modes
- Scan mode for automatic conversion of channel 0 to channel 'n'
- Data alignment with in-built data coherency
- Channel-wise programmable sampling time
- External trigger option with configurable polarity for both regular and injected conversions
- Discontinuous mode
- Dual/Triple mode (on devices with 2 ADCs or more)
- Configurable DMA data storage in Dual/Triple ADC mode
- Configurable delay between conversions in Dual/Triple interleaved mode
- ADC conversion time: 0.5 μ s with APB2 at 60 MHz
- ADC supply requirements: 2.4 V to 3.6 V at full speed and down to 1.8 V at slower speed
- ADC input range: $V_{REF-} \leq V_{IN} \leq V_{REF+}$
- DMA request generation during regular channel conversion

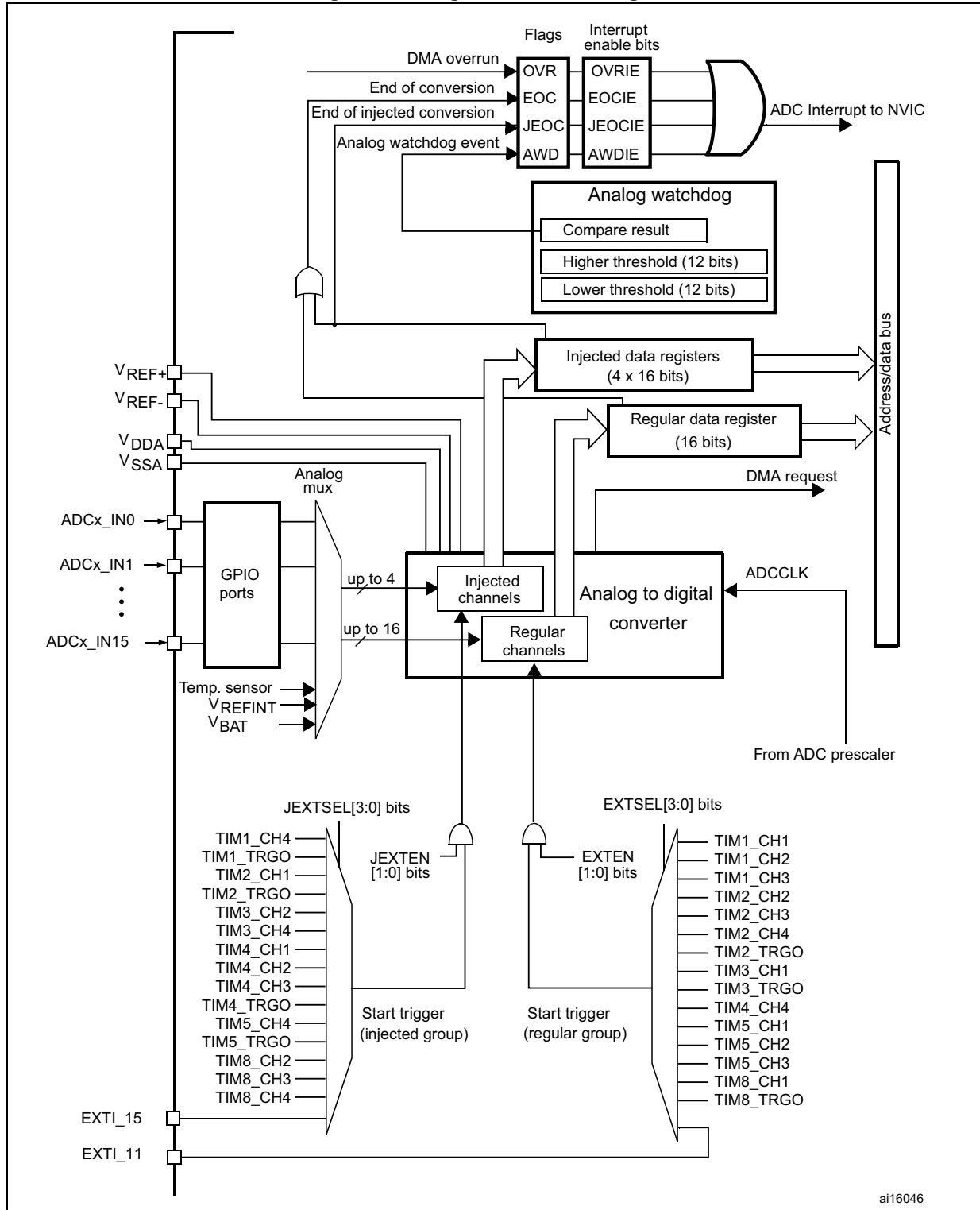
Figure 28 shows the block diagram of the ADC.

Note: V_{REF-} , if available (depending on package), must be tied to V_{SSA} .

10.3 ADC functional description

Figure 28 shows a single ADC block diagram and Table 32 gives the ADC pin description.

Figure 28. Single ADC block diagram



ai16046

Table 32. ADC pins

Name	Signal type	Remarks
V _{REF+}	Input, analog reference positive	The higher/positive reference voltage for the ADC, $1.8\text{ V} \leq V_{\text{REF+}} \leq V_{\text{DDA}}$
V _{DDA}	Input, analog supply	Analog power supply equal to V _{DD} and $2.4\text{ V} \leq V_{\text{DDA}} \leq V_{\text{DD}}$ (3.6 V) for full speed $1.8\text{ V} \leq V_{\text{DDA}} \leq V_{\text{DD}}$ (3.6 V) for reduced speed
V _{REF-}	Input, analog reference negative	The lower/negative reference voltage for the ADC, $V_{\text{REF-}} = V_{\text{SSA}}$
V _{SSA}	Input, analog supply ground	Ground for analog power supply equal to V _{SS}
ADCx_IN[15:0]	Analog input signals	16 analog input channels

10.3.1 ADC on-off control

The ADC is powered on by setting the ADON bit in the ADC_CR2 register. When the ADON bit is set for the first time, it wakes up the ADC from the Power-down mode.

Conversion starts when either the SWSTART or the JSWSTART bit is set.

You can stop conversion and put the ADC in power down mode by clearing the ADON bit. In this mode the ADC consumes almost no power (only a few μA).

10.3.2 ADC clock

The ADC features two clock schemes:

- Clock for the analog circuitry: ADCCLK, common to all ADCs
This clock is generated from the APB2 clock divided by a programmable prescaler that allows the ADC to work at $f_{\text{PCLK2}}/2, /4, /6$ or $/8$. ADCCLK maximum value is 30 MHz when the APB2 clock is at 60 MHz.
- Clock for the digital interface (used for registers read/write access)
This clock is equal to the APB2 clock. The digital interface clock can be enabled/disabled individually for each ADC through the RCC APB2 peripheral clock enable register (RCC_APB2ENR).

10.3.3 Channel selection

There are 16 multiplexed channels. It is possible to organize the conversions in two groups: regular and injected. A group consists of a sequence of conversions that can be done on any channel and in any order. For instance, it is possible to implement the conversion sequence in the following order: ADC_IN3, ADC_IN8, ADC_IN2, ADC_IN2, ADC_IN0, ADC_IN2, ADC_IN2, ADC_IN15.

- A **regular group** is composed of up to 16 conversions. The regular channels and their order in the conversion sequence must be selected in the ADC_SQRx registers. The total number of conversions in the regular group must be written in the L[3:0] bits in the ADC_SQR1 register.
- An **injected group** is composed of up to 4 conversions. The injected channels and their order in the conversion sequence must be selected in the ADC_JSQR register.

The total number of conversions in the injected group must be written in the L[1:0] bits in the ADC_JSQR register.

If the ADC_SQRx or ADC_JSQR registers are modified during a conversion, the current conversion is reset and a new start pulse is sent to the ADC to convert the newly chosen group.

Temperature sensor, V_{REFINT} and V_{BAT} internal channels

The temperature sensor is connected to channel ADC1_IN16 and the internal reference voltage V_{REFINT} is connected to ADC1_IN17. These two internal channels can be selected and converted as injected or regular channels.

The V_{BAT} channel is connected to ADC1_IN18 channel. It can also be converted as an injected or regular channel.

Note: The temperature sensor, V_{REFINT} and the V_{BAT} channel are available only on the master ADC1 peripheral.

10.3.4 Single conversion mode

In Single conversion mode the ADC does one conversion. This mode is started with the CONT bit at 0 by either:

- setting the SWSTART bit in the ADC_CR2 register (for a regular channel only)
- setting the JSWSTART bit (for an injected channel)
- external trigger (for a regular or injected channel)

Once the conversion of the selected channel is complete:

- If a regular channel was converted:
 - The converted data are stored into the 16-bit ADC_DR register
 - The EOC (end of conversion) flag is set
 - An interrupt is generated if the EOCIE bit is set
- If an injected channel was converted:
 - The converted data are stored into the 16-bit ADC_JDR1 register
 - The JEOC (end of conversion injected) flag is set
 - An interrupt is generated if the JEOCIE bit is set

Then the ADC stops.

10.3.5 Continuous conversion mode

In continuous conversion mode, the ADC starts a new conversion as soon as it finishes one. This mode is started with the CONT bit at 1 either by external trigger or by setting the SWSTART bit in the ADC_CR2 register (for regular channels only).

After each conversion:

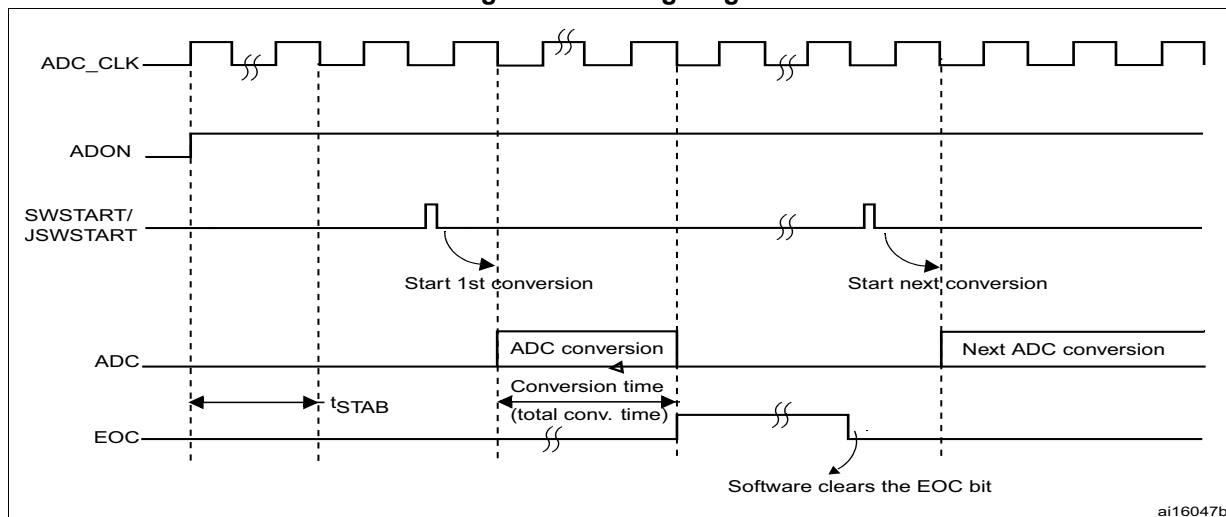
- If a regular group of channels was converted:
 - The last converted data are stored into the 16-bit ADC_DR register
 - The EOC (end of conversion) flag is set
 - An interrupt is generated if the EOCIE bit is set

Note: Injected channels cannot be converted continuously. The only exception is when an injected channel is configured to be converted automatically after regular channels in continuous mode (using JAUTO bit), refer to [Auto-injection](#) section).

10.3.6 Timing diagram

As shown in [Figure 29](#), the ADC needs a stabilization time of t_{STAB} before it starts converting accurately. After the start of the ADC conversion and after 15 clock cycles, the EOC flag is set and the 16-bit ADC data register contains the result of the conversion.

Figure 29. Timing diagram



10.3.7 Analog watchdog

The AWD analog watchdog status bit is set if the analog voltage converted by the ADC is below a lower threshold or above a higher threshold. These thresholds are programmed in the 12 least significant bits of the ADC_HTR and ADC_LTR 16-bit registers. An interrupt can be enabled by using the AWDIE bit in the ADC_CR1 register.

The threshold value is independent of the alignment selected by the ALIGN bit in the ADC_CR2 register. The analog voltage is compared to the lower and higher thresholds before alignment.

[Table 33](#) shows how the ADC_CR1 register should be configured to enable the analog watchdog on one or more channels.

Figure 30. Analog watchdog's guarded area

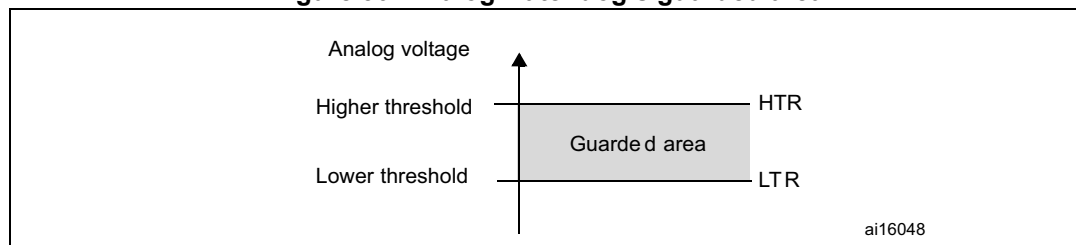


Table 33. Analog watchdog channel selection

Channels guarded by the analog watchdog	ADC_CR1 register control bits (x = don't care)		
	AWDSGL bit	AWDEN bit	JAWDEN bit
None	x	0	0
All injected channels	0	0	1
All regular channels	0	1	0
All regular and injected channels	0	1	1
Single ⁽¹⁾ injected channel	1	0	1
Single ⁽¹⁾ regular channel	1	1	0
Single ⁽¹⁾ regular or injected channel	1	1	1

1. Selected by the AWDCH[4:0] bits

10.3.8 Scan mode

This mode is used to scan a group of analog channels.

The Scan mode is selected by setting the SCAN bit in the ADC_CR1 register. Once this bit has been set, the ADC scans all the channels selected in the ADC_SQRx registers (for regular channels) or in the ADC_JSQR register (for injected channels). A single conversion is performed for each channel of the group. After each end of conversion, the next channel in the group is converted automatically. If the CONT bit is set, regular channel conversion does not stop at the last selected channel in the group but continues again from the first selected channel.

If the DMA bit is set, the direct memory access (DMA) controller is used to transfer the data converted from the regular group of channels (stored in the ADC_DR register) to SRAM after each regular channel conversion.

The EOC bit is set in the ADC_SR register:

- At the end of each regular group sequence if the EOCS bit is cleared to 0
- At the end of each regular channel conversion if the EOCS bit is set to 1

The data converted from an injected channel are always stored into the ADC_JDRx registers.

10.3.9 Injected channel management

Triggered injection

To use triggered injection, the JAUTO bit must be cleared in the ADC_CR1 register.

1. Start the conversion of a group of regular channels either by external trigger or by setting the SWSTART bit in the ADC_CR2 register.
2. If an external injected trigger occurs or if the JSWSTART bit is set during the conversion of a regular group of channels, the current conversion is reset and the injected channel sequence switches to Scan-once mode.
3. Then, the regular conversion of the regular group of channels is resumed from the last interrupted regular conversion.
If a regular event occurs during an injected conversion, the injected conversion is not

interrupted but the regular sequence is executed at the end of the injected sequence. *Figure 31* shows the corresponding timing diagram.

Note: When using triggered injection, one must ensure that the interval between trigger events is longer than the injection sequence. For instance, if the sequence length is 30 ADC clock cycles (that is two conversions with a sampling time of 3 clock periods), the minimum interval between triggers must be 31 ADC clock cycles.

Auto-injection

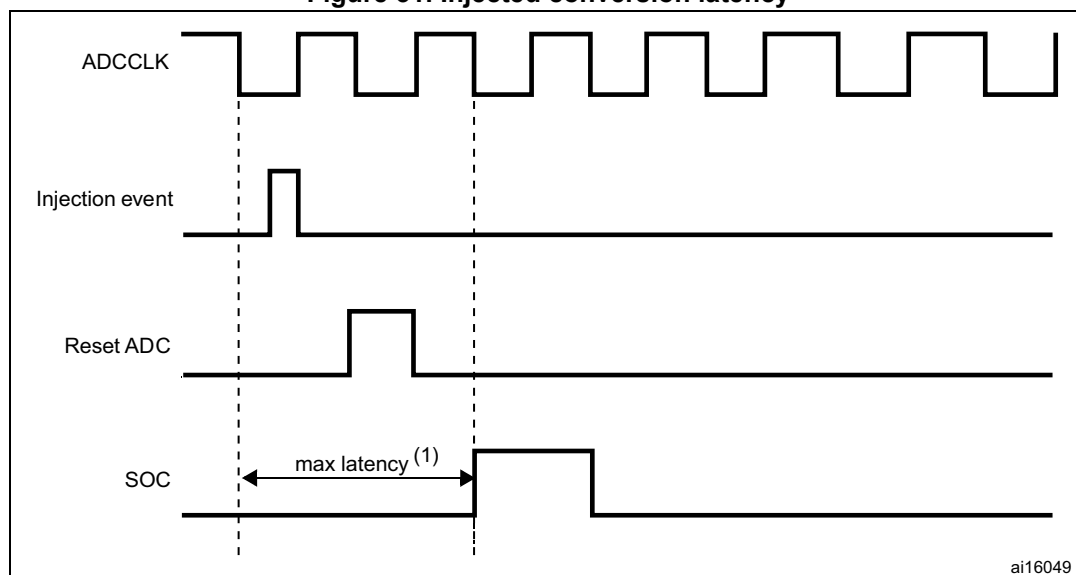
If the JAUTO bit is set, then the channels in the injected group are automatically converted after the regular group of channels. This can be used to convert a sequence of up to 20 conversions programmed in the ADC_SQRx and ADC_JSQR registers.

In this mode, external trigger on injected channels must be disabled.

If the CONT bit is also set in addition to the JAUTO bit, regular channels followed by injected channels are continuously converted.

Note: It is not possible to use both the auto-injected and discontinuous modes simultaneously.

Figure 31. Injected conversion latency



1. The maximum latency value can be found in the electrical characteristics of the STM32F20x and STM32F21x datasheets.

10.3.10 Discontinuous mode

Regular group

This mode is enabled by setting the DISCEN bit in the ADC_CR1 register. It can be used to convert a short sequence of n conversions ($n \leq 8$) that is part of the sequence of conversions selected in the ADC_SQRx registers. The value of n is specified by writing to the DISCNUM[2:0] bits in the ADC_CR1 register.

When an external trigger occurs, it starts the next n conversions selected in the ADC_SQRx registers until all the conversions in the sequence are done. The total sequence length is defined by the L[3:0] bits in the ADC_SQR1 register.

Example:

- n = 3, channels to be converted = 0, 1, 2, 3, 6, 7, 9, 10
- 1st trigger: sequence converted 0, 1, 2. An EOC event is generated at each conversion.
- 2nd trigger: sequence converted 3, 6, 7. An EOC event is generated at each conversion
- 3rd trigger: sequence converted 9, 10. An EOC event is generated at each conversion
- 4th trigger: sequence converted 0, 1, 2. An EOC event is generated at each conversion

Note: When a regular group is converted in discontinuous mode, no rollover occurs.

When all subgroups are converted, the next trigger starts the conversion of the first subgroup. In the example above, the 4th trigger reconverts the channels 0, 1 and 2 in the 1st subgroup.

Injected group

This mode is enabled by setting the JDISCEN bit in the ADC_CR1 register. It can be used to convert the sequence selected in the ADC_JSQR register, channel by channel, after an external trigger event.

When an external trigger occurs, it starts the next channel conversions selected in the ADC_JSQR registers until all the conversions in the sequence are done. The total sequence length is defined by the JL[1:0] bits in the ADC_JSQR register.

Example:

- n = 1, channels to be converted = 1, 2, 3
- 1st trigger: channel 1 converted
- 2nd trigger: channel 2 converted
- 3rd trigger: channel 3 converted and JEOC event generated
- 4th trigger: channel 1

Note: When all injected channels are converted, the next trigger starts the conversion of the first injected channel. In the example above, the 4th trigger reconverts the 1st injected channel 1.

It is not possible to use both the auto-injected and discontinuous modes simultaneously. Discontinuous mode must not be set for regular and injected groups at the same time. Discontinuous mode must be enabled only for the conversion of one group.

10.4 Data alignment

The ALIGN bit in the ADC_CR2 register selects the alignment of the data stored after conversion. Data can be right- or left-aligned as shown in [Figure 32](#) and [Figure 33](#).

The converted data value from the injected group of channels is decreased by the user-defined offset written in the ADC_JOFRx registers so the result can be a negative value. The SEXT bit represents the extended sign value.

For channels in a regular group, no offset is subtracted so only twelve bits are significant.

Figure 32. Right alignment of 12-bit data

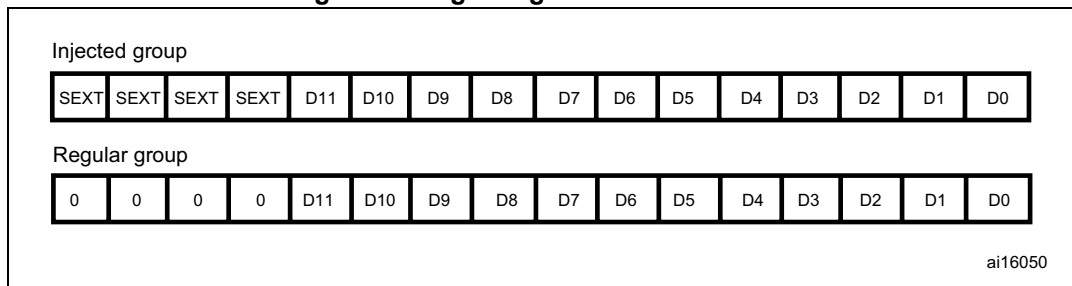
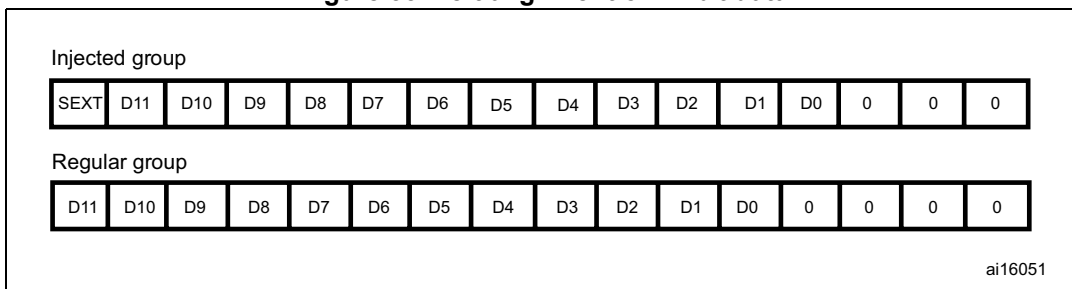
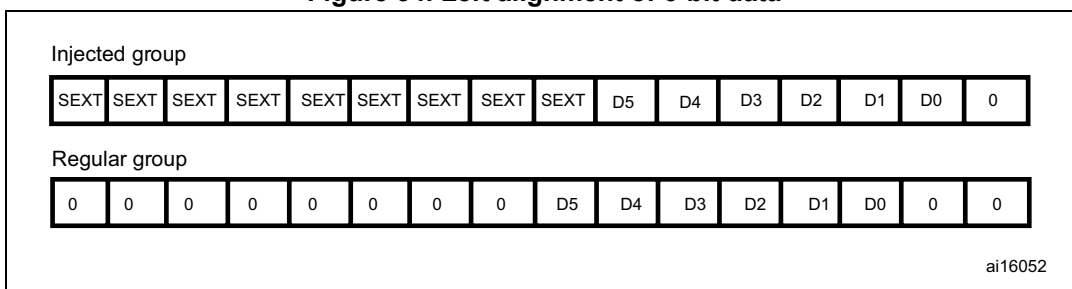


Figure 33. Left alignment of 12-bit data



Special case: when left-aligned, the data are aligned on a half-word basis except when the resolution is set to 6-bit. In that case, the data are aligned on a byte basis as shown in [Figure 34](#).

Figure 34. Left alignment of 6-bit data



10.5 Channel-wise programmable sampling time

The ADC samples the input voltage for a number of ADCCLK cycles that can be modified using the SMP[2:0] bits in the ADC_SMPR1 and ADC_SMPR2 registers. Each channel can be sampled with a different sampling time.

The total conversion time is calculated as follows:

$$T_{\text{conv}} = \text{Sampling time} + 12 \text{ cycles}$$

Example:

With ADCCLK = 30 MHz and sampling time = 3 cycles:

$$T_{\text{conv}} = 3 + 12 = 15 \text{ cycles} = 0.5 \mu\text{s with APB2 at 60 MHz}$$

10.6 Conversion on external trigger and trigger polarity

Conversion can be triggered by an external event (e.g. timer capture, EXTI line). If the EXTEN[1:0] control bits (for a regular conversion) or JEXTEN[1:0] bits (for an injected conversion) are different from “0b00”, then external events are able to trigger a conversion with the selected polarity. [Table 34](#) provides the correspondence between the EXTEN[1:0] and JEXTEN[1:0] values and the trigger polarity.

Table 34. Configuring the trigger polarity

Source	EXTEN[1:0] / JEXTEN[1:0]
Trigger detection disabled	00
Detection on the rising edge	01
Detection on the falling edge	10
Detection on both the rising and falling edges	11

Note: The polarity of the external trigger can be changed on the fly.

The EXTSEL[3:0] and JEXTSEL[3:0] control bits are used to select which out of 16 possible events can trigger conversion for the regular and injected groups.

[Table 35](#) gives the possible external trigger for regular conversion.

Table 35. External trigger for regular channels

Source	Type	EXTSEL[3:0]
TIM1_CH1 event	Internal signal from on-chip timers	0000
TIM1_CH2 event		0001
TIM1_CH3 event		0010
TIM2_CH2 event		0011
TIM2_CH3 event		0100
TIM2_CH4 event		0101
TIM2_TRGO event		0110
TIM3_CH1 event		0111
TIM3_TRGO event		1000
TIM4_CH4 event		1001
TIM5_CH1 event		1010
TIM5_CH2 event		1011
TIM5_CH3 event		1100
TIM8_CH1 event		1101
TIM8_TRGO event		1110
EXTI line11		External pin

[Table 36](#) gives the possible external trigger for injected conversion.

Table 36. External trigger for injected channels

Source	Connection type	JEXTSEL[3:0]
TIM1_CH4 event	Internal signal from on-chip timers	0000
TIM1_TRGO event		0001
TIM2_CH1 event		0010
TIM2_TRGO event		0011
TIM3_CH2 event		0100
TIM3_CH4 event		0101
TIM4_CH1 event		0110
TIM4_CH2 event		0111
TIM4_CH3 event		1000
TIM4_TRGO event		1001
TIM5_CH4 event		1010
TIM5_TRGO event		1011
TIM8_CH2 event		1100
TIM8_CH3 event		1101
TIM8_CH4 event		1110
EXTI line15	External pin	1111

Software source trigger events can be generated by setting SWSTART (for regular conversion) or JSWSTART (for injected conversion) in ADC_CR2.

A regular group conversion can be interrupted by an injected trigger.

Note: The trigger selection can be changed on the fly. However, when the selection changes, there is a time frame of 1 APB clock cycle during which the trigger detection is disabled. This is to avoid spurious detection during transitions.

10.7 Fast conversion mode

It is possible to perform faster conversion by reducing the ADC resolution. The RES bits are used to select the number of bits available in the data register. The minimum conversion time for each resolution is then as follows:

- 12 bits: $3 + 12 = 15$ ADCCLK cycles
- 10 bits: $3 + 10 = 13$ ADCCLK cycles
- 8 bits: $3 + 8 = 11$ ADCCLK cycles
- 6 bits: $3 + 6 = 9$ ADCCLK cycles

10.8 Data management

10.8.1 Using the DMA

Since converted regular channel values are stored into a unique data register, it is useful to use DMA for conversion of more than one regular channel. This avoids the loss of the data already stored in the ADC_DR register.

When the DMA mode is enabled (DMA bit set to 1 in the ADC_CR2 register), after each conversion of a regular channel, a DMA request is generated. This allows the transfer of the converted data from the ADC_DR register to the destination location selected by the software.

Despite this, if data are lost (overflow), the OVR bit in the ADC_SR register is set and an interrupt is generated (if the OVRIE enable bit is set). DMA transfers are then disabled and DMA requests are no longer accepted. In this case, if a DMA request is made, the regular conversion in progress is aborted and further regular triggers are ignored. It is then necessary to clear the OVR flag and the DMAEN bit in the used DMA stream, and to re-initialize both the DMA and the ADC to have the wanted converted channel data transferred to the right memory location. Only then can the conversion be resumed and the data transfer, enabled again. Injected channel conversions are not impacted by overflow errors.

When OVR = 1 in DMA mode, the DMA requests are blocked after the last valid data have been transferred, which means that all the data transferred to the RAM can be considered as valid.

At the end of the last DMA transfer (number of transfers configured in the DMA controller's DMA_SxNDTR register):

- No new DMA request is issued to the DMA controller if the DDS bit is cleared to 0 in the ADC_CR2 register (this avoids generating an overflow error). However the DMA bit is not cleared by hardware. It must be written to 0, then to 1 to start a new transfer.
- Requests can continue to be generated if the DDS bit is set to 1. This allows configuring the DMA in double-buffer circular mode.

To recover the ADC from OVR state when the DMA is used, follow the steps below:

1. Reinitialize the DMA (adjust destination address and NDTR counter)
2. Clear the ADC OVR bit in ADC_SR register
3. Trigger the ADC to start the conversion.

10.8.2 Managing a sequence of conversions without using the DMA

If the conversions are slow enough, the conversion sequence can be handled by the software. In this case the EOCS bit must be set in the ADC_CR2 register for the EOC status bit to be set at the end of each conversion, and not only at the end of the sequence. When EOCS = 1, overflow detection is automatically enabled. Thus, each time a conversion is complete, EOC is set and the ADC_DR register can be read. The overflow management is the same as when the DMA is used.

To recover the ADC from OVR state when the EOCS is set, follow the steps below:

1. Clear the ADC OVR bit in ADC_SR register
2. Trigger the ADC to start the conversion.

10.8.3 Conversions without DMA and without overrun detection

It may be useful to let the ADC convert one or more channels without reading the data each time (if there is an analog watchdog for instance). For that, the DMA must be disabled (DMA = 0) and the EOC bit must be set at the end of a sequence only (EOCS = 0). In this configuration, overrun detection is disabled.

10.9 Multi ADC mode

In devices with two ADCs or more, the Dual (with two ADCs) and Triple (with three ADCs) ADC modes can be used (see [Figure 35](#)).

In multi ADC mode, the start of conversion is triggered alternately or simultaneously by the ADC1 master to the ADC2 and ADC3 slaves, depending on the mode selected by the MULTI[4:0] bits in the ADC_CCR register.

Note: In multi ADC mode, when configuring conversion trigger by an external event, the application must set trigger by the master only and disable trigger by slaves to prevent spurious triggers that would start unwanted slave conversions.

The four possible modes below are implemented:

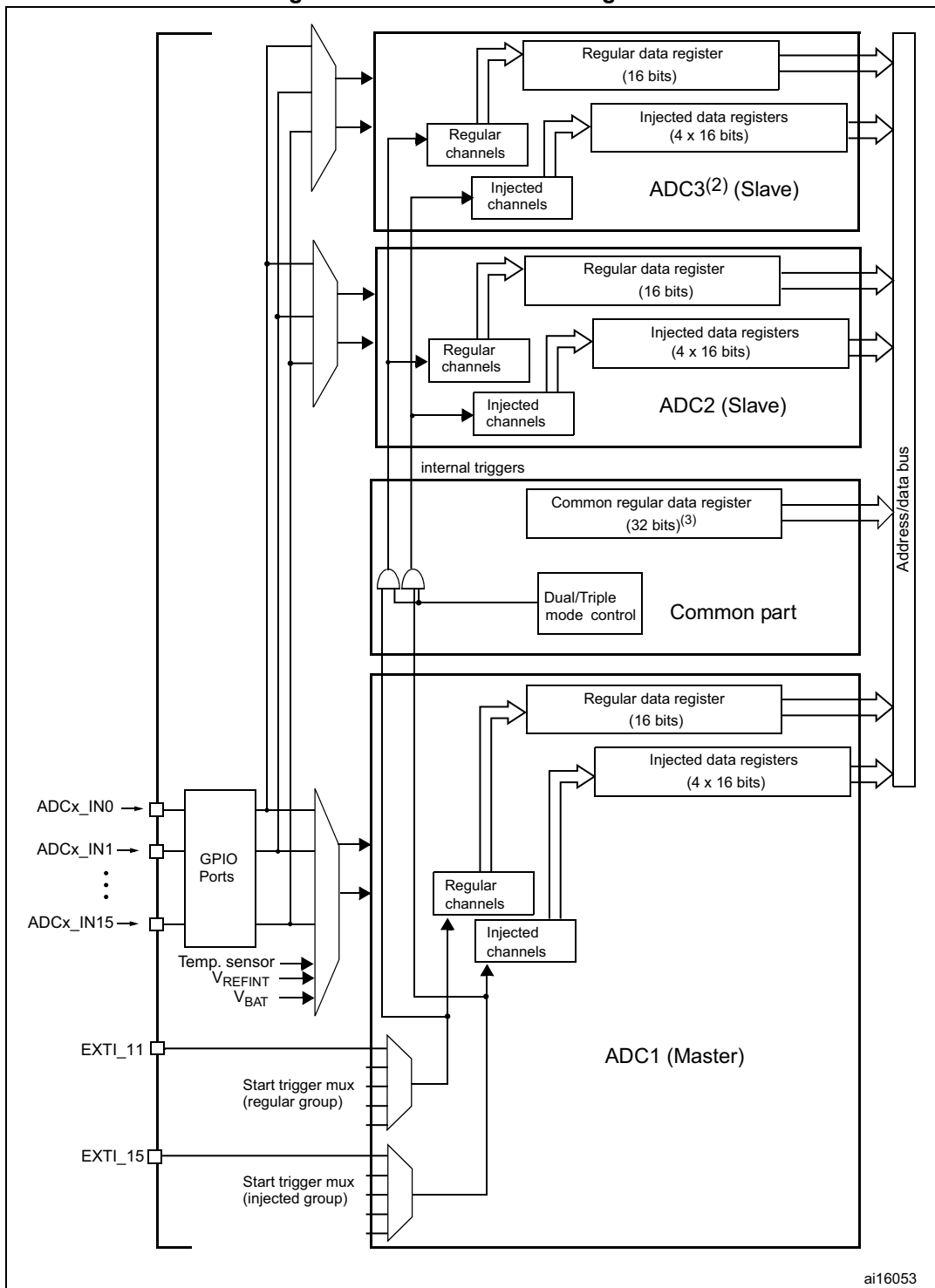
- Injected simultaneous mode
- Regular simultaneous mode
- Interleaved mode
- Alternate trigger mode

It is also possible to use the previous modes combined in the following ways:

- Injected simultaneous mode + Regular simultaneous mode
- Regular simultaneous mode + Alternate trigger mode

Note: In multi ADC mode, the converted data can be read on the multi-mode data register (ADC_CDR). The status bits can be read in the multi-mode status register (ADC_CSR).

Figure 35. Multi ADC block diagram⁽¹⁾



1. Although external triggers are present on ADC2 and ADC3 they are not shown in this diagram.
2. In the Dual ADC mode, the ADC3 slave part is not present.
3. In Triple ADC mode, the ADC common data register (ADC_CDR) contains the ADC1, ADC2 and ADC3's regular converted data. All 32 register bits are used according to a selected storage order.
In Dual ADC mode, the ADC common data register (ADC_CDR) contains both the ADC1 and ADC2's regular converted data. All 32 register bits are used.

- DMA requests in Multi ADC mode:

In Multi ADC mode the DMA may be configured to transfer converted data in three different modes. In all cases, the DMA streams to use are those connected to the ADC:

 - **DMA mode 1:** On each DMA request (one data item is available), a half-word representing an ADC-converted data item is transferred.

In Triple ADC mode, ADC1 data are transferred on the first request, ADC2 data are transferred on the second request and ADC3 data are transferred on the third request; the sequence is repeated. So the DMA first transfers ADC1 data followed by ADC2 data followed by ADC3 data and so on.

DMA mode 1 is used in regular simultaneous triple mode only.

Example:

Regular simultaneous triple mode: 3 consecutive DMA requests are generated (one for each converted data item)

1st request: `ADC_CDR[31:0] = ADC1_DR[15:0]`
 2nd request: `ADC_CDR[31:0] = ADC2_DR[15:0]`
 3rd request: `ADC_CDR[31:0] = ADC3_DR[15:0]`
 4th request: `ADC_CDR[31:0] = ADC1_DR[15:0]`
 - **DMA mode 2:** On each DMA request (two data items are available) two half-words representing two ADC-converted data items are transferred as a word.

In Dual ADC mode, both ADC2 and ADC1 data are transferred on the first request (ADC2 data take the upper half-word and ADC1 data take the lower half-word) and so on.

In Triple ADC mode, three DMA requests are generated. On the first request, both ADC2 and ADC1 data are transferred (ADC2 data take the upper half-word and ADC1 data take the lower half-word). On the second request, both ADC1 and ADC3 data are transferred (ADC1 data take the upper half-word and ADC3 data take the lower half-word). On the third request, both ADC3 and ADC2 data are transferred (ADC3 data take the upper half-word and ADC2 data take the lower half-word) and so on.

DMA mode 2 is used in interleaved mode and in regular simultaneous mode (for Dual ADC mode only).

Example:

a) Interleaved dual mode: a DMA request is generated each time 2 data items are available:

1st request: `ADC_CDR[31:0] = ADC2_DR[15:0] | ADC1_DR[15:0]`
 2nd request: `ADC_CDR[31:0] = ADC2_DR[15:0] | ADC1_DR[15:0]`

b) Interleaved triple mode: a DMA request is generated each time 2 data items are available

1st request: `ADC_CDR[31:0] = ADC2_DR[15:0] | ADC1_DR[15:0]`
 2nd request: `ADC_CDR[31:0] = ADC1_DR[15:0] | ADC3_DR[15:0]`
 3rd request: `ADC_CDR[31:0] = ADC3_DR[15:0] | ADC2_DR[15:0]`
 4th request: `ADC_CDR[31:0] = ADC2_DR[15:0] | ADC1_DR[15:0]`
 - **DMA mode 3:** This mode is similar to the DMA mode 2. The only differences are that the on each DMA request (two data items are available) two bytes

representing two ADC converted data items are transferred as a half-word. The data transfer order is similar to that of the DMA mode 2.

DMA mode 3 is used in interleaved mode in 6-bit and 8-bit resolutions (dual and triple mode).

Example:

- a) Interleaved dual mode: a DMA request is generated each time 2 data items are available
 - 1st request: $\text{ADC_CDR}[15:0] = \text{ADC2_DR}[7:0] \mid \text{ADC1_DR}[7:0]$
 - 2nd request: $\text{ADC_CDR}[15:0] = \text{ADC2_DR}[7:0] \mid \text{ADC1_DR}[7:0]$
- b) Interleaved triple mode: a DMA request is generated each time 2 data items are available
 - 1st request: $\text{ADC_CDR}[15:0] = \text{ADC2_DR}[7:0] \mid \text{ADC1_DR}[7:0]$
 - 2nd request: $\text{ADC_CDR}[15:0] = \text{ADC1_DR}[7:0] \mid \text{ADC3_DR}[7:0]$
 - 3rd request: $\text{ADC_CDR}[15:0] = \text{ADC3_DR}[7:0] \mid \text{ADC2_DR}[7:0]$
 - 4th request: $\text{ADC_CDR}[15:0] = \text{ADC2_DR}[7:0] \mid \text{ADC1_DR}[7:0]$

Overrun detection: If an overrun is detected on one of the concerned ADCs (ADC1 and ADC2 in dual and triple modes, ADC3 in triple mode only), the DMA requests are no longer issued to ensure that all the data transferred to the RAM are valid. It may happen that the EOC bit corresponding to one ADC remains set because the data register of this ADC contains valid data.

10.9.1 Injected simultaneous mode

This mode converts an injected group of channels. The external trigger source comes from the injected group multiplexer of ADC1 (selected by the JEXTSEL[3:0] bits in the ADC1_CR2 register). A simultaneous trigger is provided to ADC2 and ADC3.

Note: Do not convert the same channel on the two/three ADCs (no overlapping sampling times for the two/three ADCs when converting the same channel).

In simultaneous mode, one must convert sequences with the same length or ensure that the interval between triggers is longer than the longer of the 2 sequences (Dual ADC mode) /3 sequences (Triple ADC mode). Otherwise, the ADC with the shortest sequence may restart while the ADC with the longest sequence is completing the previous conversions.

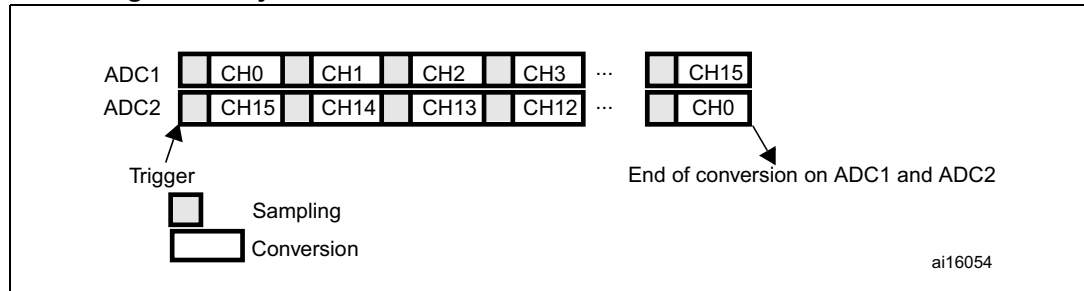
Regular conversions can be performed on one or all ADCs. In that case, they are independent of each other and are interrupted when an injected event occurs. They are resumed at the end of the injected conversion group.

Dual ADC mode

At the end of conversion event on ADC1 or ADC2:

- The converted data are stored into the ADC_JDRx registers of each ADC interface.
- A JEOC interrupt is generated (if enabled on one of the two ADC interfaces) when the ADC1/ADC2's injected channels have all been converted.

Figure 36. Injected simultaneous mode on 4 channels: dual ADC mode

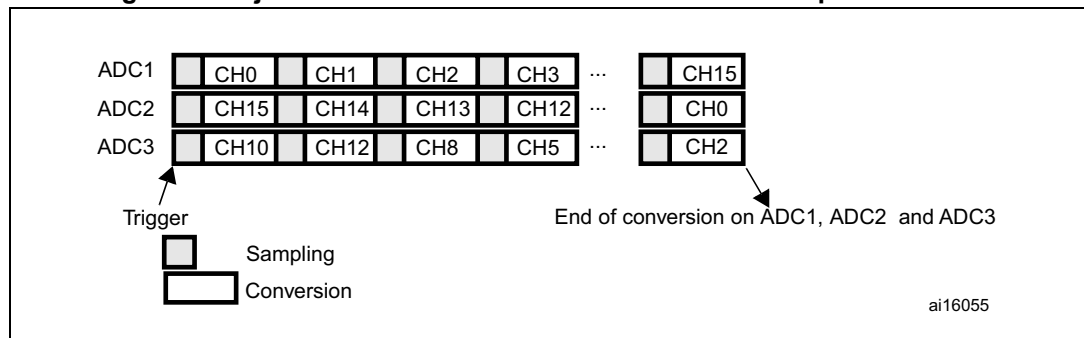


Triple ADC mode

At the end of conversion event on ADC1, ADC2 or ADC3:

- The converted data are stored into the ADC_JDRx registers of each ADC interface.
- A JEOC interrupt is generated (if enabled on one of the three ADC interfaces) when the ADC1/ADC2/ADC3's injected channels have all been converted.

Figure 37. Injected simultaneous mode on 4 channels: triple ADC mode



10.9.2 Regular simultaneous mode

This mode is performed on a regular group of channels. The external trigger source comes from the regular group multiplexer of ADC1 (selected by the EXTSEL[3:0] bits in the ADC1_CR2 register). A simultaneous trigger is provided to ADC2 and ADC3.

Note: Do not convert the same channel on the two/three ADCs (no overlapping sampling times for the two/three ADCs when converting the same channel).

In regular simultaneous mode, one must convert sequences with the same length or ensure that the interval between triggers is longer than the long conversion time of the 2 sequences (Dual ADC mode) /3 sequences (Triple ADC mode). Otherwise, the ADC with the shortest sequence may restart while the ADC with the longest sequence is completing the previous conversions.

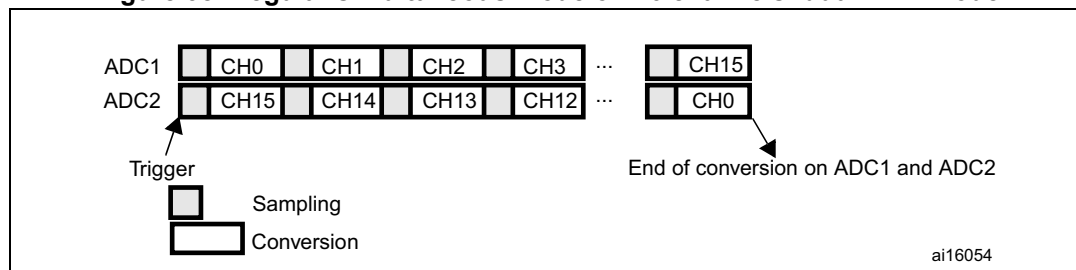
Injected conversions must be disabled.

Dual ADC mode

At the end of conversion event on ADC1 or ADC2:

- A 32-bit DMA transfer request is generated (if DMA[1:0] bits in the ADC_CCR register are equal to 0b10). This request transfers the ADC2 converted data stored in the upper half-word of the ADC_CDR 32-bit register to the SRAM and then the ADC1 converted data stored in the lower half-word of ADC_CDR to the SRAM.
- An EOC interrupt is generated (if enabled on one of the two ADC interfaces) when the ADC1/ADC2's regular channels have all been converted.

Figure 38. Regular simultaneous mode on 16 channels: dual ADC mode

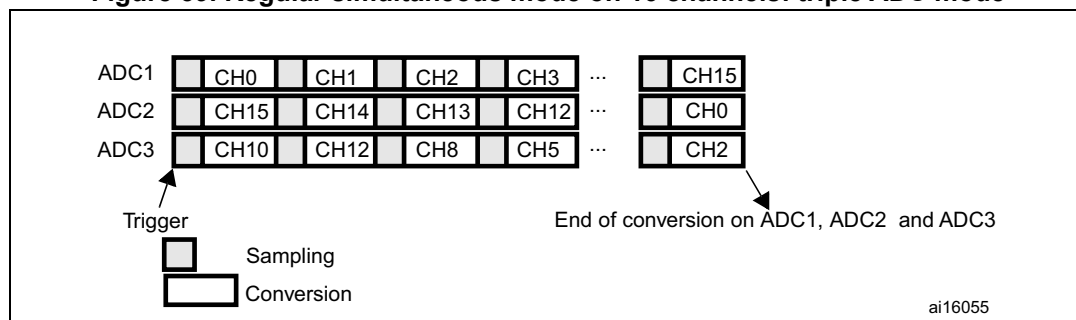


Triple ADC mode

At the end of conversion event on ADC1, ADC2 or ADC3:

- Three 32-bit DMA transfer requests are generated (if DMA[1:0] bits in the ADC_CCR register are equal to 0b01). Three transfers then take place from the ADC_CDR 32-bit register to SRAM: first the ADC1 converted data, then the ADC2 converted data and finally the ADC3 converted data. The process is repeated for each new three conversions.
- An EOC interrupt is generated (if enabled on one of the three ADC interfaces) when the ADC1/ADC2/ADC3's regular channels are have all been converted.

Figure 39. Regular simultaneous mode on 16 channels: triple ADC mode



10.9.3 Interleaved mode

This mode can be started only on a regular group (usually one channel). The external trigger source comes from the regular channel multiplexer of ADC1.

Dual ADC mode

After an external trigger occurs:

- ADC1 starts immediately
- ADC2 starts after a delay of several-ADC clock cycles

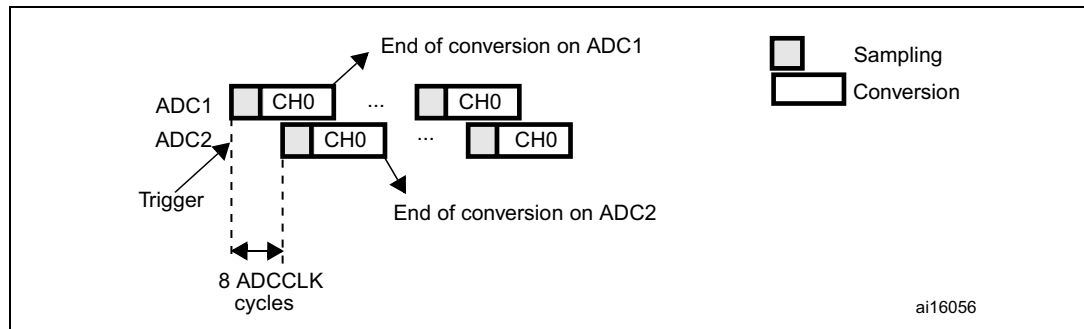
The minimum delay which separates 2 conversions in interleaved mode is configured in the DELAY bits in the ADC_CCR register. However, an ADC cannot start a conversion if the complementary ADC is still sampling its input (only one ADC can sample the input signal at a given time). In this case, the delay becomes the sampling time + 2 ADC clock cycles. For instance, if DELAY = 5 clock cycles and the sampling takes 15 clock cycles on both ADCs, then 17 clock cycles separate conversions on ADC1 and ADC2).

If the CONT bit is set on both ADC1 and ADC2, the selected regular channels of both ADCs are continuously converted.

Note: If the conversion sequence is interrupted (for instance when DMA end of transfer occurs), the multi-ADC sequencer must be reset by configuring it in independent mode first (bits DUAL[4:0] = 00000) before reprogramming the interleaved mode.

After an EOC interrupt is generated by ADC2 (if enabled through the EOCIE bit) a 32-bit DMA transfer request is generated (if the DMA[1:0] bits in ADC_CCR are equal to 0b10). This request first transfers the ADC2 converted data stored in the upper half-word of the ADC_CDR 32-bit register into SRAM, then the ADC1 converted data stored in the register's lower half-word into SRAM.

Figure 40. Interleaved mode on 1 channel in continuous conversion mode: dual ADC mode



Triple ADC mode

After an external trigger occurs:

- ADC1 starts immediately and
- ADC2 starts after a delay of several ADC clock cycles
- ADC3 starts after a delay of several ADC clock cycles referred to the ADC2 conversion

The minimum delay which separates 2 conversions in interleaved mode is configured in the DELAY bits in the ADC_CCR register. However, an ADC cannot start a conversion if the complementary ADC is still sampling its input (only one ADC can sample the input signal at

a given time). In this case, the delay becomes the sampling time + 2 ADC clock cycles. For instance, if DELAY = 5 clock cycles and the sampling takes 15 clock cycles on the three ADCs, then 17 clock cycles separate the conversions on ADC1, ADC2 and ADC3).

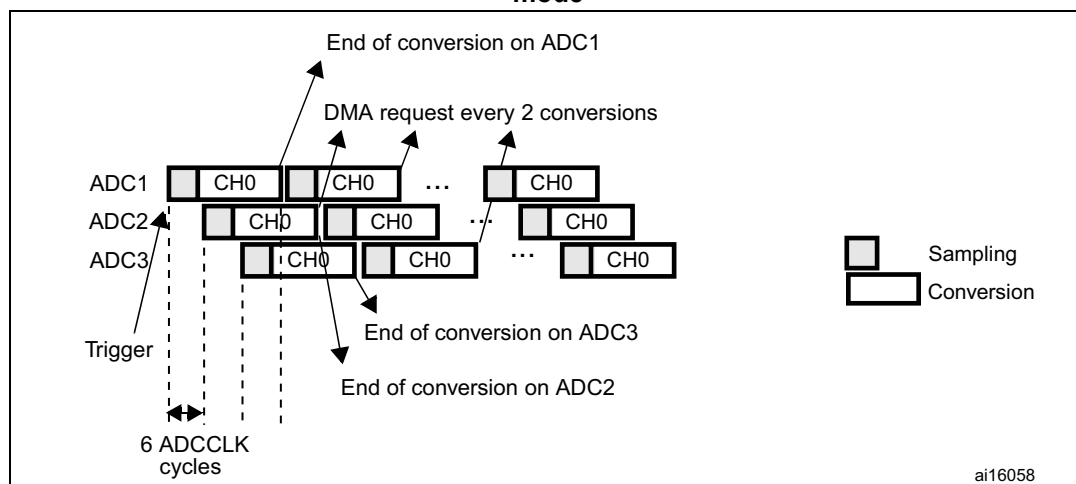
If the CONT bit is set on ADC1, ADC2 and ADC3, the selected regular channels of all ADCs are continuously converted.

Note: If the conversion sequence is interrupted (for instance when DMA end of transfer occurs), the multi-ADC sequencer must be reset by configuring it in independent mode first (bits DUAL[4:0] = 00000) before reprogramming the interleaved mode.

In this mode a DMA request is generated each time 2 data items are available, (if the DMA[1:0] bits in the ADC_CCR register are equal to 0b10). The request first transfers the first converted data stored in the lower half-word of the ADC_CDR 32-bit register to SRAM, then it transfers the second converted data stored in ADC_CDR's upper half-word to SRAM. The sequence is the following:

- 1st request: ADC_CDR[31:0] = ADC2_DR[15:0] | ADC1_DR[15:0]
- 2nd request: ADC_CDR[31:0] = ADC1_DR[15:0] | ADC3_DR[15:0]
- 3rd request: ADC_CDR[31:0] = ADC3_DR[15:0] | ADC2_DR[15:0]
- 4th request: ADC_CDR[31:0] = ADC2_DR[15:0] | ADC1_DR[15:0], ...

Figure 41. Interleaved mode on 1 channel in continuous conversion mode: triple ADC mode



10.9.4 Alternate trigger mode

This mode can be started only on an injected group. The source of external trigger comes from the injected group multiplexer of ADC1.

Note: Regular conversions can be enabled on one or all ADCs. In this case the regular conversions are independent of each other. A regular conversion is interrupted when the

ADC has to perform an injected conversion. It is resumed when the injected conversion is finished.

If the conversion sequence is interrupted (for instance when DMA end of transfer occurs), the multi-ADC sequencer must be reset by configuring it in independent mode first (bits $DUAL[4:0] = 00000$) before reprogramming the interleaved mode.

The time interval between 2 trigger events must be greater than or equal to 1 ADC clock period. The minimum time interval between 2 trigger events that start conversions on the same ADC is the same as in the single ADC mode.

Dual ADC mode

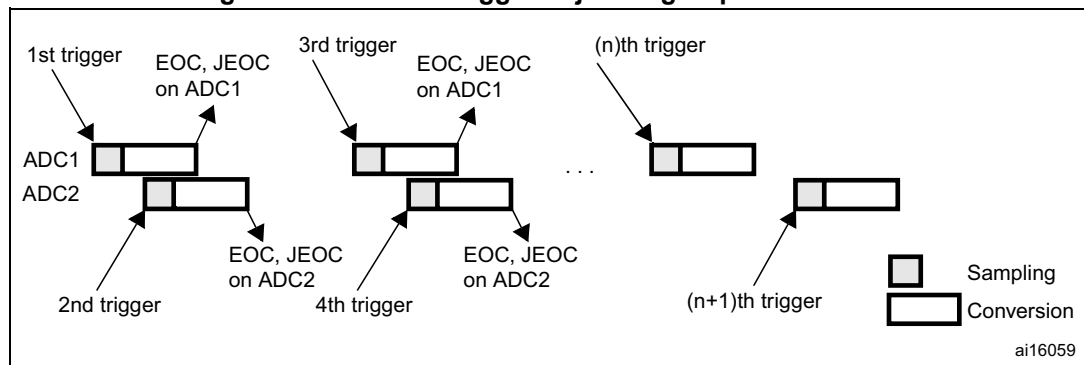
- When the 1st trigger occurs, all injected ADC1 channels in the group are converted
- When the 2nd trigger occurs, all injected ADC2 channels in the group are converted
- and so on

A JEOC interrupt, if enabled, is generated after all injected ADC1 channels in the group have been converted.

A JEOC interrupt, if enabled, is generated after all injected ADC2 channels in the group have been converted.

If another external trigger occurs after all injected channels in the group have been converted then the alternate trigger process restarts by converting the injected ADC1 channels in the group.

Figure 42. Alternate trigger: injected group of each ADC



If the injected discontinuous mode is enabled for both ADC1 and ADC2:

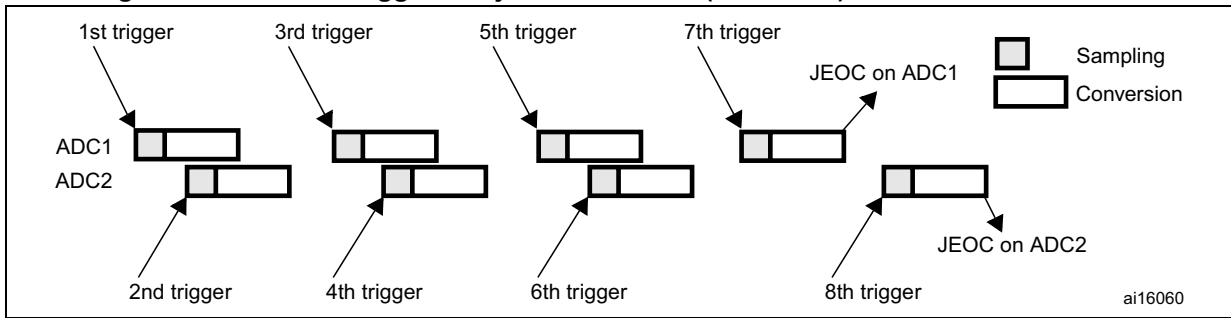
- When the 1st trigger occurs, the first injected ADC1 channel is converted.
- When the 2nd trigger occurs, the first injected ADC2 channel are converted
- and so on

A JEOC interrupt, if enabled, is generated after all injected ADC1 channels in the group have been converted.

A JEOC interrupt, if enabled, is generated after all injected ADC2 channels in the group have been converted.

If another external trigger occurs after all injected channels in the group have been converted then the alternate trigger process restarts.

Figure 43. Alternate trigger: 4 injected channels (each ADC) in discontinuous mode



Triple ADC mode

- When the 1st trigger occurs, all injected ADC1 channels in the group are converted.
- When the 2nd trigger occurs, all injected ADC2 channels in the group are converted.
- When the 3rd trigger occurs, all injected ADC3 channels in the group are converted.
- and so on

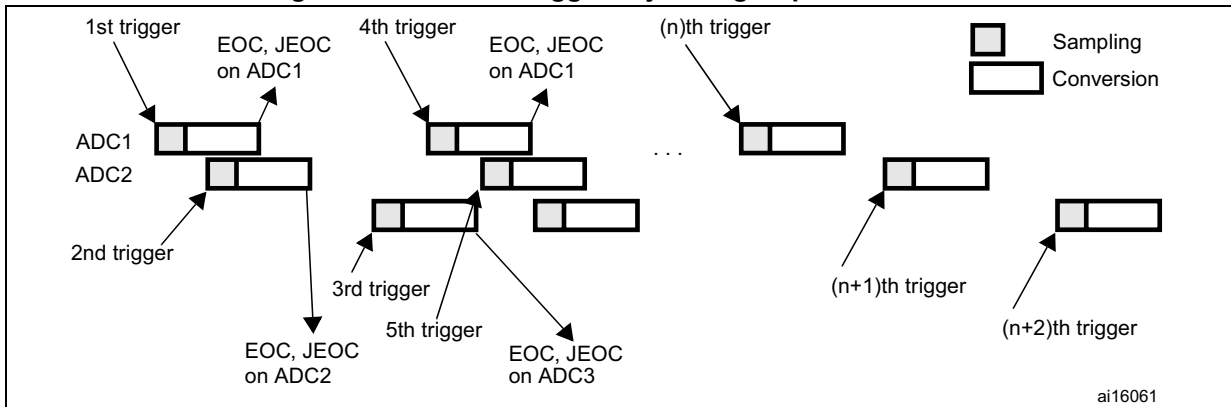
A JEOC interrupt, if enabled, is generated after all injected ADC1 channels in the group have been converted.

A JEOC interrupt, if enabled, is generated after all injected ADC2 channels in the group have been converted.

A JEOC interrupt, if enabled, is generated after all injected ADC3 channels in the group have been converted.

If another external trigger occurs after all injected channels in the group have been converted then the alternate trigger process restarts by converting the injected ADC1 channels in the group.

Figure 44. Alternate trigger: injected group of each ADC



10.9.5 Combined regular/injected simultaneous mode

It is possible to interrupt the simultaneous conversion of a regular group to start the simultaneous conversion of an injected group.

Note: In combined regular/injected simultaneous mode, one must convert sequences with the same length or ensure that the interval between triggers is longer than the long conversion time of the 2 sequences (Dual ADC mode) /3 sequences (Triple ADC mode). Otherwise, the

ADC with the shortest sequence may restart while the ADC with the longest sequence is completing the previous conversions.

10.9.6 Combined regular simultaneous + alternate trigger mode

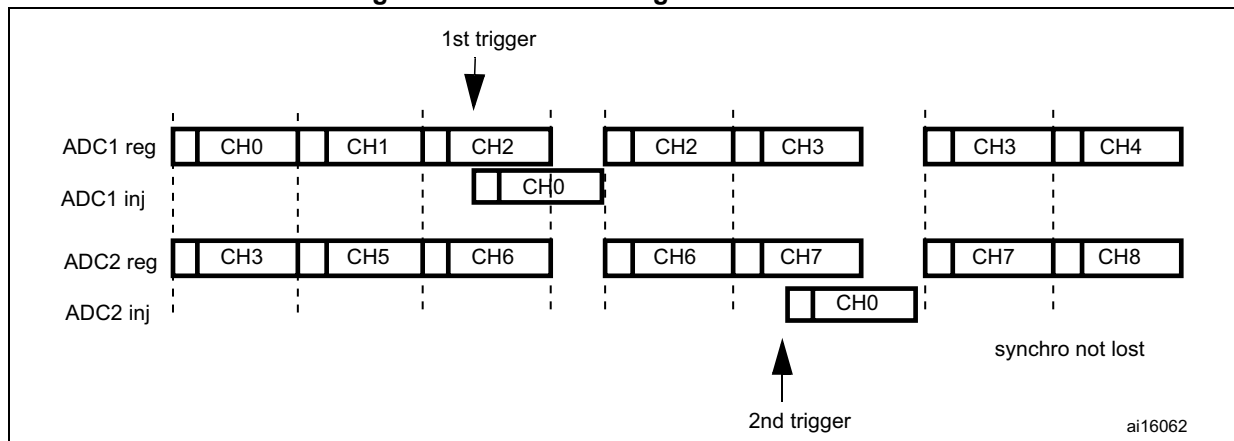
It is possible to interrupt the simultaneous conversion of a regular group to start the alternate trigger conversion of an injected group. *Figure 45* shows the behavior of an alternate trigger interrupting a simultaneous regular conversion.

The injected alternate conversion is immediately started after the injected event. If regular conversion is already running, in order to ensure synchronization after the injected conversion, the regular conversion of all (master/slave) ADCs is stopped and resumed synchronously at the end of the injected conversion.

Note: In combined regular simultaneous + alternate trigger mode, one must convert sequences with the same length or ensure that the interval between triggers is longer than the long conversion time of the 2 sequences (Dual ADC mode) / 3 sequences (Triple ADC mode). Otherwise, the ADC with the shortest sequence may restart while the ADC with the longest sequence is completing the previous conversions.

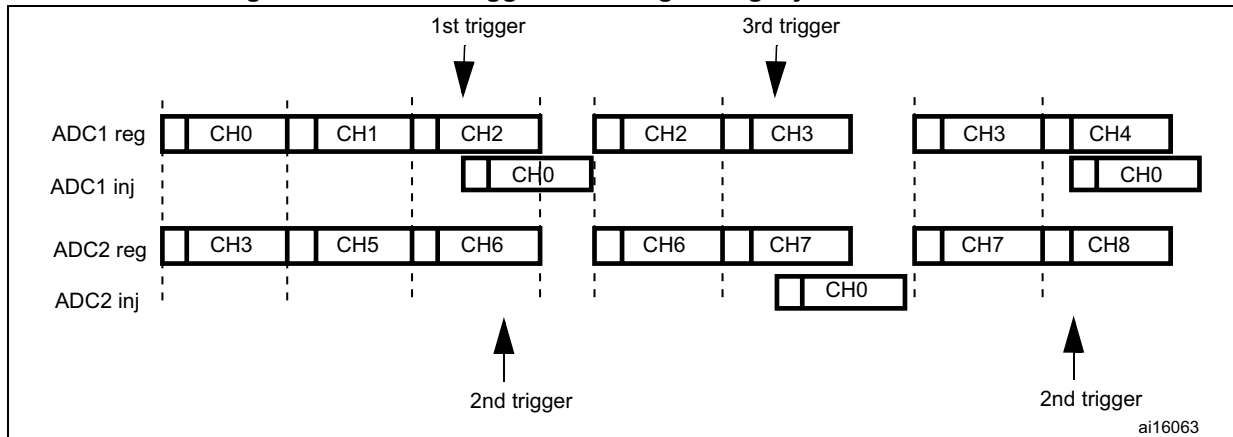
If the conversion sequence is interrupted (for instance when DMA end of transfer occurs), the multi-ADC sequencer must be reset by configuring it in independent mode first (bits DUAL[4:0] = 00000) before reprogramming the interleaved mode.

Figure 45. Alternate + regular simultaneous



If a trigger occurs during an injected conversion that has interrupted a regular conversion, it is ignored. *Figure 46* shows the behavior in this case (2nd trigger is ignored).

Figure 46. Case of trigger occurring during injected conversion



10.10 Temperature sensor

The temperature sensor can be used to measure the junction temperature (T_j) of the device.

The temperature sensor is internally connected to the ADC1_IN16 input channel which is used to convert the sensor's output voltage to a digital value.

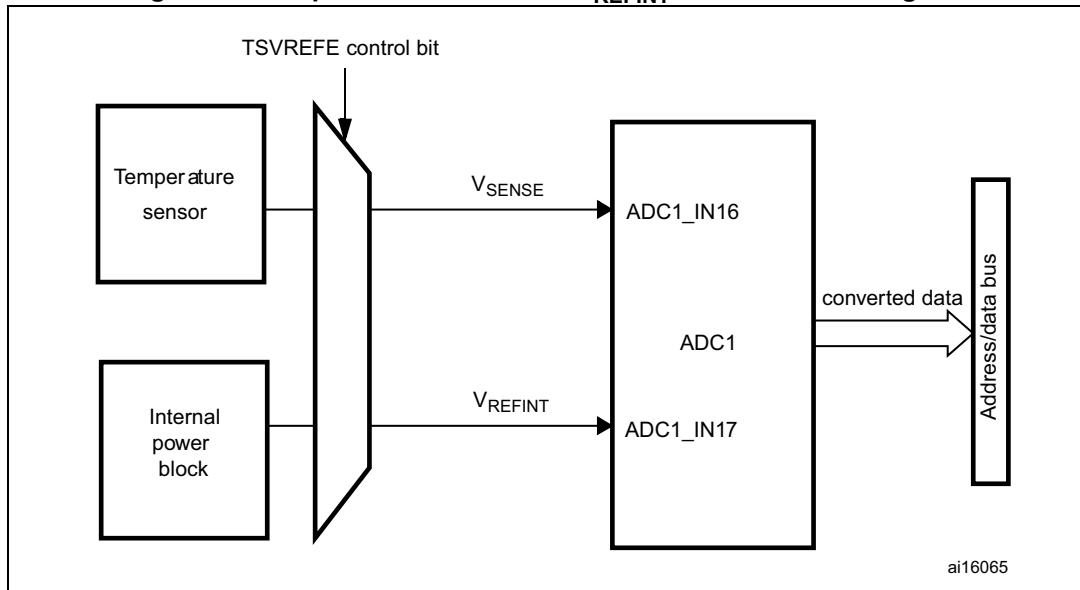
Figure 47 shows the block diagram of the temperature sensor.

When not in use, the sensor can be put in power down mode.

Note: The *TSVREFE* bit must be set to enable the conversion of both internal channels: ADC1_IN16 (temperature sensor) and ADC1_IN17 (V_{REFINT}).

Main features

- Supported temperature range: -40 to 125 °C
- Precision: ± 1.5 °C

Figure 47. Temperature sensor and V_{REFINT} channel block diagram

Reading the temperature

To use the sensor:

1. Select ADC1_IN16 input channel.
2. Select a sampling time greater than the minimum sampling time specified in the datasheet.
3. Set the TSVREFE bit in the ADC_CCR register to wake up the temperature sensor from power down mode
4. Start the ADC conversion by setting the SWSTART bit (or by external trigger)
5. Read the resulting V_{SENSE} data in the ADC data register
6. Calculate the temperature using the following formula:

$$\text{Temperature (in } ^\circ\text{C)} = \{(V_{SENSE} - V_{25}) / \text{Avg_Slope}\} + 25$$

Where:

- $V_{25} = V_{SENSE}$ value for 25°C
- Avg_Slope = average slope of the temperature vs. V_{SENSE} curve (given in $\text{mV}/^\circ\text{C}$ or $\mu\text{V}/^\circ\text{C}$)

Refer to the datasheet's electrical characteristics section for the actual values of V_{25} and Avg_Slope.

Note: *The sensor has a startup time after waking from power down mode before it can output V_{SENSE} at the correct level. The ADC also has a startup time after power-on, so to minimize the delay, the ADON and TSVREFE bits should be set at the same time.*

The temperature sensor output voltage changes linearly with temperature. The offset of this linear function depends on each chip due to process variation (up to 45°C from one chip to another).

The internal temperature sensor is more suited for applications that detect temperature variations instead of absolute temperatures. If accurate temperature reading is required, an external temperature sensor should be used.

10.11 Battery charge monitoring

The VBATE bit in the ADC_CCR register is used to switch to the battery voltage. As the V_{BAT} voltage could be higher than V_{DDA} , to ensure the correct operation of the ADC, the V_{BAT} pin is internally connected to a bridge divider by 2. This bridge is automatically enabled when VBATE is set, to connect $V_{BAT}/2$ to the ADC1_IN18 input channel. As a consequence, the converted digital value is half the V_{BAT} voltage. To prevent any unwanted consumption on the battery, it is recommended to enable the bridge divider only when needed, for ADC conversion.

10.12 ADC interrupts

An interrupt can be produced on the end of conversion for regular and injected groups, when the analog watchdog status bit is set and when the overrun status bit is set. Separate interrupt enable bits are available for flexibility.

Two other flags are present in the ADC_SR register, but there is no interrupt associated with them:

- JSTRT (Start of conversion for channels of an injected group)
- STRT (Start of conversion for channels of a regular group)

Table 37. ADC interrupts

Interrupt event	Event flag	Enable control bit
End of conversion of a regular group	EOC	EOCIE
End of conversion of an injected group	JEOC	JEOCIE
Analog watchdog status bit is set	AWD	AWDIE
Overrun	OVR	OVRIE

10.13 ADC registers

Refer to [Section 1.1: List of abbreviations for registers for registers](#) for a list of abbreviations used in register descriptions.

The peripheral registers must be written at word level (32 bits). Read accesses can be done by bytes (8 bits), half-words (16 bits) or words (32 bits).

10.13.1 ADC status register (ADC_SR)

Address offset: 0x00

Reset value: 0x0000 0000

31	30	29	28	27	26	25	24	23	22	21	20	19	18	17	16
Reserved															
15	14	13	12	11	10	9	8	7	6	5	4	3	2	1	0
Reserved										OVR	STRT	JSTRT	JEOC	EOC	AWD
										rc_w0	rc_w0	rc_w0	rc_w0	rc_w0	rc_w0

Bits 31:6 Reserved, must be kept at reset value.

Bit 5 **OVR**: Overrun

This bit is set by hardware when data are lost (either in single mode or in dual/triple mode). It is cleared by software. Overrun detection is enabled only when DMA = 1 or EOCS = 1.

0: No overrun occurred
1: Overrun has occurred

Bit 4 **STRT**: Regular channel start flag

This bit is set by hardware when regular channel conversion starts. It is cleared by software.

0: No regular channel conversion started
1: Regular channel conversion has started

Bit 3 **JSTRT**: Injected channel start flag

This bit is set by hardware when injected group conversion starts. It is cleared by software.

0: No injected group conversion started
1: Injected group conversion has started

Bit 2 **JEOC**: Injected channel end of conversion

This bit is set by hardware at the end of the conversion of all injected channels in the group. It is cleared by software.

0: Conversion is not complete
1: Conversion complete

Bit 1 **EOC**: Regular channel end of conversion

This bit is set by hardware at the end of the conversion of a regular group of channels. It is cleared by software or by reading the ADC_DR register.

0: Conversion not complete (EOCS=0), or sequence of conversions not complete (EOCS=1)
1: Conversion complete (EOCS=0), or sequence of conversions complete (EOCS=1)

Bit 0 **AWD**: Analog watchdog flag

This bit is set by hardware when the converted voltage crosses the values programmed in the ADC_LTR and ADC_HTR registers. It is cleared by software.

0: No analog watchdog event occurred
1: Analog watchdog event occurred

10.13.2 ADC control register 1 (ADC_CR1)

Address offset: 0x04

Reset value: 0x0000 0000

31	30	29	28	27	26	25	24	23	22	21	20	19	18	17	16
Reserved					OVRIE	RES		AWDEN	JAWDEN	Reserved					
					rw	rw	rw	rw	rw						
15	14	13	12	11	10	9	8	7	6	5	4	3	2	1	0
DISCNUM[2:0]			JDISCEN	DISCEN	JAUTO	AWDSGL	SCAN	JEOCIE	AWDIE	EOCIE	AWDCH[4:0]				
rw	rw	rw	rw	rw	rw	rw	rw	rw	rw	rw	rw	rw	rw	rw	rw

Bits 31:27 Reserved, must be kept at reset value.

Bit 26 **OVRIE**: Overrun interrupt enable

This bit is set and cleared by software to enable/disable the Overrun interrupt.

0: Overrun interrupt disabled

1: Overrun interrupt enabled. An interrupt is generated when the OVR bit is set.

Bits 25:24 **RES[1:0]**: Resolution

These bits are written by software to select the resolution of the conversion.

00: 12-bit (15 ADCCLK cycles)

01: 10-bit (13 ADCCLK cycles)

10: 8-bit (11 ADCCLK cycles)

11: 6-bit (9 ADCCLK cycles)

Bit 23 **AWDEN**: Analog watchdog enable on regular channels

This bit is set and cleared by software.

0: Analog watchdog disabled on regular channels

1: Analog watchdog enabled on regular channels

Bit 22 **JAWDEN**: Analog watchdog enable on injected channels

This bit is set and cleared by software.

0: Analog watchdog disabled on injected channels

1: Analog watchdog enabled on injected channels

Bits 21:16 Reserved, must be kept at reset value.

Bits 15:13 **DISCNUM[2:0]**: Discontinuous mode channel count

These bits are written by software to define the number of regular channels to be converted in discontinuous mode, after receiving an external trigger.

000: 1 channel

001: 2 channels

...

111: 8 channels

Bit 12 **JDISCEN**: Discontinuous mode on injected channels

This bit is set and cleared by software to enable/disable discontinuous mode on the injected channels of a group.

0: Discontinuous mode on injected channels disabled

1: Discontinuous mode on injected channels enabled

- Bit 11 **DISCEN**: Discontinuous mode on regular channels
This bit is set and cleared by software to enable/disable Discontinuous mode on regular channels.
0: Discontinuous mode on regular channels disabled
1: Discontinuous mode on regular channels enabled
- Bit 10 **JAUTO**: Automatic injected group conversion
This bit is set and cleared by software to enable/disable automatic injected group conversion after regular group conversion.
0: Automatic injected group conversion disabled
1: Automatic injected group conversion enabled
- Bit 9 **AWDSGL**: Enable the watchdog on a single channel in scan mode
This bit is set and cleared by software to enable/disable the analog watchdog on the channel identified by the AWDCH[4:0] bits.
0: Analog watchdog enabled on all channels
1: Analog watchdog enabled on a single channel
- Bit 8 **SCAN**: Scan mode
This bit is set and cleared by software to enable/disable the Scan mode. In Scan mode, the inputs selected through the ADC_SQRx or ADC_JSQRx registers are converted.
0: Scan mode disabled
1: Scan mode enabled
Note: An EOC interrupt is generated if the EOCIE bit is set:
 - At the end of each regular group sequence if the EOCS bit is cleared to 0
 - At the end of each regular channel conversion if the EOCS bit is set to 1*Note: A JEOC interrupt is generated only on the end of conversion of the last channel if the JEOCIE bit is set.*
- Bit 7 **JEOCIE**: Interrupt enable for injected channels
This bit is set and cleared by software to enable/disable the end of conversion interrupt for injected channels.
0: JEOC interrupt disabled
1: JEOC interrupt enabled. An interrupt is generated when the JEOC bit is set.
- Bit 6 **AWDIE**: Analog watchdog interrupt enable
This bit is set and cleared by software to enable/disable the analog watchdog interrupt.
0: Analog watchdog interrupt disabled
1: Analog watchdog interrupt enabled
- Bit 5 **EOCIE**: Interrupt enable for EOC
This bit is set and cleared by software to enable/disable the end of conversion interrupt.
0: EOC interrupt disabled
1: EOC interrupt enabled. An interrupt is generated when the EOC bit is set.
- Bits 4:0 **AWDCH[4:0]**: Analog watchdog channel select bits
These bits are set and cleared by software. They select the input channel to be guarded by the analog watchdog.
Note: 00000: ADC analog input Channel0
00001: ADC analog input Channel1
...
01111: ADC analog input Channel15
10000: ADC analog input Channel16
10001: ADC analog input Channel17
10010: ADC analog input Channel18
Other values reserved

10.13.3 ADC control register 2 (ADC_CR2)

Address offset: 0x08

Reset value: 0x0000 0000

31	30	29	28	27	26	25	24	23	22	21	20	19	18	17	16	
reserved	SWST ART	EXTEN			EXTSEL[3:0]				reserved	JSWST ART	JEXTEN			JEXTSEL[3:0]		
	r/w	r/w	r/w	r/w	r/w	r/w	r/w	r/w		r/w	r/w	r/w	r/w	r/w	r/w	r/w
15	14	13	12	11	10	9	8	7	6	5	4	3	2	1	0	
reserved				ALIGN	EOCS	DDS	DMA	Reserved						CONT	ADON	
				r/w	r/w	r/w	r/w							r/w	r/w	

Bit 31 Reserved, must be kept at reset value.

Bit 30 **SWSTART**: Start conversion of regular channels

This bit is set by software to start conversion and cleared by hardware as soon as the conversion starts.

0: Reset state

1: Starts conversion of regular channels

Note: This bit can be set only when ADON = 1 otherwise no conversion is launched.

Bits 29:28 **EXTEN**: External trigger enable for regular channels

These bits are set and cleared by software to select the external trigger polarity and enable the trigger of a regular group.

00: Trigger detection disabled

01: Trigger detection on the rising edge

10: Trigger detection on the falling edge

11: Trigger detection on both the rising and falling edges

Bits 27:24 **EXTSEL[3:0]**: External event select for regular group

These bits select the external event used to trigger the start of conversion of a regular group:

0000: Timer 1 CC1 event

0001: Timer 1 CC2 event

0010: Timer 1 CC3 event

0011: Timer 2 CC2 event

0100: Timer 2 CC3 event

0101: Timer 2 CC4 event

0110: Timer 2 TRGO event

0111: Timer 3 CC1 event

1000: Timer 3 TRGO event

1001: Timer 4 CC4 event

1010: Timer 5 CC1 event

1011: Timer 5 CC2 event

1100: Timer 5 CC3 event

1101: Timer 8 CC1 event

1110: Timer 8 TRGO event

1111: EXTI line11

Bit 23 Reserved, must be kept at reset value.

- Bit 22 **JSWSTART**: Start conversion of injected channels
This bit is set by software and cleared by hardware as soon as the conversion starts.
0: Reset state
1: Starts conversion of injected channels
Note: This bit can be set only when ADON = 1 otherwise no conversion is launched.
- Bits 21:20 **JEXTEN**: External trigger enable for injected channels
These bits are set and cleared by software to select the external trigger polarity and enable the trigger of an injected group.
00: Trigger detection disabled
01: Trigger detection on the rising edge
10: Trigger detection on the falling edge
11: Trigger detection on both the rising and falling edges
- Bits 19:16 **JEXTSEL[3:0]**: External event select for injected group
These bits select the external event used to trigger the start of conversion of an injected group.
0000: Timer 1 CC4 event
0001: Timer 1 TRGO event
0010: Timer 2 CC1 event
0011: Timer 2 TRGO event
0100: Timer 3 CC2 event
0101: Timer 3 CC4 event
0110: Timer 4 CC1 event
0111: Timer 4 CC2 event
1000: Timer 4 CC3 event
1001: Timer 4 TRGO event
1010: Timer 5 CC4 event
1011: Timer 5 TRGO event
1100: Timer 8 CC2 event
1101: Timer 8 CC3 event
1110: Timer 8 CC4 event
1111: EXTI line15
- Bits 15:12 Reserved, must be kept at reset value.
- Bit 11 **ALIGN**: Data alignment
This bit is set and cleared by software. Refer to [Figure 32](#) and [Figure 33](#).
0: Right alignment
1: Left alignment
- Bit 10 **EOCS**: End of conversion selection
This bit is set and cleared by software.
0: The EOC bit is set at the end of each sequence of regular conversions. Overrun detection is enabled only if DMA=1.
1: The EOC bit is set at the end of each regular conversion. Overrun detection is enabled.
- Bit 9 **DDS**: DMA disable selection (for single ADC mode)
This bit is set and cleared by software.
0: No new DMA request is issued after the last transfer (as configured in the DMA controller)
1: DMA requests are issued as long as data are converted and DMA=1
- Bit 8 **DMA**: Direct memory access mode (for single ADC mode)
This bit is set and cleared by software. Refer to the DMA controller chapter for more details.
0: DMA mode disabled
1: DMA mode enabled

Bits 7:2 Reserved, must be kept at reset value.

Bit 1 **CONT**: Continuous conversion

This bit is set and cleared by software. If it is set, conversion takes place continuously until it is cleared.

- 0: Single conversion mode
- 1: Continuous conversion mode

Bit 0 **ADON**: A/D Converter ON / OFF

This bit is set and cleared by software.

- Note:
- 0: Disable ADC conversion and go to power down mode
 - 1: Enable ADC

10.13.4 ADC sample time register 1 (ADC_SMPR1)

Address offset: 0x0C

Reset value: 0x0000 0000

	31	30	29	28	27	26	25	24	23	22	21	20	19	18	17	16
	Reserved					SMP18[2:0]			SMP17[2:0]			SMP16[2:0]			SMP15[2:1]	
						r/w	r/w	r/w	r/w	r/w	r/w	r/w	r/w	r/w	r/w	r/w
	15	14	13	12	11	10	9	8	7	6	5	4	3	2	1	0
SMP15_0	SMP14[2:0]			SMP13[2:0]			SMP12[2:0]			SMP11[2:0]			SMP10[2:0]			
r/w	r/w	r/w	r/w	r/w	r/w	r/w	r/w	r/w	r/w	r/w	r/w	r/w	r/w	r/w	r/w	r/w

Bits 31: 27 Reserved, must be kept at reset value.

Bits 26:0 **SMPx[2:0]**: Channel x sampling time selection

These bits are written by software to select the sampling time individually for each channel. During sampling cycles, the channel selection bits must remain unchanged.

- Note:
- 000: 3 cycles
 - 001: 15 cycles
 - 010: 28 cycles
 - 011: 56 cycles
 - 100: 84 cycles
 - 101: 112 cycles
 - 110: 144 cycles
 - 111: 480 cycles

10.13.5 ADC sample time register 2 (ADC_SMPR2)

Address offset: 0x10

Reset value: 0x0000 0000

	31	30	29	28	27	26	25	24	23	22	21	20	19	18	17	16
	Reserved		SMP9[2:0]			SMP8[2:0]			SMP7[2:0]			SMP6[2:0]			SMP5[2:1]	
			r/w	r/w	r/w	r/w	r/w	r/w	r/w	r/w	r/w	r/w	r/w	r/w	r/w	r/w
	15	14	13	12	11	10	9	8	7	6	5	4	3	2	1	0
SMP5_0	SMP4[2:0]			SMP3[2:0]			SMP2[2:0]			SMP1[2:0]			SMP0[2:0]			
r/w	r/w	r/w	r/w	r/w	r/w	r/w	r/w	r/w	r/w	r/w	r/w	r/w	r/w	r/w	r/w	r/w



Bits 31:30 Reserved, must be kept at reset value.

Bits 29:0 **SMPx[2:0]**: Channel x sampling time selection

These bits are written by software to select the sampling time individually for each channel. During sample cycles, the channel selection bits must remain unchanged.

- Note:
- 000: 3 cycles
 - 001: 15 cycles
 - 010: 28 cycles
 - 011: 56 cycles
 - 100: 84 cycles
 - 101: 112 cycles
 - 110: 144 cycles
 - 111: 480 cycles

10.13.6 ADC injected channel data offset register x (ADC_JOFRx) (x=1..4)

Address offset: 0x14-0x20

Reset value: 0x0000 0000

31	30	29	28	27	26	25	24	23	22	21	20	19	18	17	16
Reserved															
15	14	13	12	11	10	9	8	7	6	5	4	3	2	1	0
Reserved				JOFFSETx[11:0]											
				rw	rw	rw	rw	rw	rw	rw	rw	rw	rw	rw	rw

Bits 31:12 Reserved, must be kept at reset value.

Bits 11:0 **JOFFSETx[11:0]**: Data offset for injected channel x

These bits are written by software to define the offset to be subtracted from the raw converted data when converting injected channels. The conversion result can be read from in the ADC_JDRx registers.

10.13.7 ADC watchdog higher threshold register (ADC_HTR)

Address offset: 0x24

Reset value: 0x0000 0FFF

31	30	29	28	27	26	25	24	23	22	21	20	19	18	17	16
Reserved															
15	14	13	12	11	10	9	8	7	6	5	4	3	2	1	0
Reserved				HT[11:0]											
				rw	rw	rw	rw	rw	rw	rw	rw	rw	rw	rw	rw

Bits 31:12 Reserved, must be kept at reset value.

Bits 11:0 **HT[11:0]**: Analog watchdog higher threshold

These bits are written by software to define the higher threshold for the analog watchdog.

Note: The software can write to these registers when an ADC conversion is ongoing. The programmed value is effective when the next conversion is complete. Writing to this register is performed with a write delay that can create uncertainty on the effective time at which the new value is programmed.

10.13.8 ADC watchdog lower threshold register (ADC_LTR)

Address offset: 0x28

Reset value: 0x0000 0000

31	30	29	28	27	26	25	24	23	22	21	20	19	18	17	16
Reserved															
15	14	13	12	11	10	9	8	7	6	5	4	3	2	1	0
Reserved				LT[11:0]											
				rw											

Bits 31:12 Reserved, must be kept at reset value.

Bits 11:0 **LT[11:0]**: Analog watchdog lower threshold

These bits are written by software to define the lower threshold for the analog watchdog.

Note: The software can write to these registers when an ADC conversion is ongoing. The programmed value is effective when the next conversion is complete. Writing to this register is performed with a write delay that can create uncertainty on the effective time at which the new value is programmed.

10.13.9 ADC regular sequence register 1 (ADC_SQR1)

Address offset: 0x2C

Reset value: 0x0000 0000

31	30	29	28	27	26	25	24	23	22	21	20	19	18	17	16
Reserved								L[3:0]				SQ16[4:1]			
								rw				rw			
15	14	13	12	11	10	9	8	7	6	5	4	3	2	1	0
SQ16_0		SQ15[4:0]				SQ14[4:0]				SQ13[4:0]					
rw		rw				rw				rw					

Bits 31:24 Reserved, must be kept at reset value.

Bits 23:20 **L[3:0]**: Regular channel sequence length

These bits are written by software to define the total number of conversions in the regular channel conversion sequence.

0000: 1 conversion

0001: 2 conversions

...

1111: 16 conversions

Bits 19:15 **SQ16[4:0]**: 16th conversion in regular sequence

These bits are written by software with the channel number (0..18) assigned as the 16th in the conversion sequence.

- Bits 14:10 **SQ15[4:0]**: 15th conversion in regular sequence
- Bits 9:5 **SQ14[4:0]**: 14th conversion in regular sequence
- Bits 4:0 **SQ13[4:0]**: 13th conversion in regular sequence

10.13.10 ADC regular sequence register 2 (ADC_SQR2)

Address offset: 0x30

Reset value: 0x0000 0000

	31	30	29	28	27	26	25	24	23	22	21	20	19	18	17	16
	SQ12[4:0]				SQ11[4:0]				SQ10[4:1]							
	Reserved	rw	rw	rw	rw	rw	rw	rw	rw	rw	rw	rw	rw	rw	rw	rw
	15	14	13	12	11	10	9	8	7	6	5	4	3	2	1	0
	SQ10_0		SQ9[4:0]				SQ8[4:0]				SQ7[4:0]					
	rw	rw	rw	rw	rw	rw	rw	rw	rw	rw	rw	rw	rw	rw	rw	rw

- Bits 31:30 Reserved, must be kept at reset value.
- Bits 29:26 **SQ12[4:0]**: 12th conversion in regular sequence
 These bits are written by software with the channel number (0..18) assigned as the 12th in the sequence to be converted.
- Bits 24:20 **SQ11[4:0]**: 11th conversion in regular sequence
- Bits 19:15 **SQ10[4:0]**: 10th conversion in regular sequence
- Bits 14:10 **SQ9[4:0]**: 9th conversion in regular sequence
- Bits 9:5 **SQ8[4:0]**: 8th conversion in regular sequence
- Bits 4:0 **SQ7[4:0]**: 7th conversion in regular sequence

10.13.11 ADC regular sequence register 3 (ADC_SQR3)

Address offset: 0x34

Reset value: 0x0000 0000

	31	30	29	28	27	26	25	24	23	22	21	20	19	18	17	16
	SQ6[4:0]				SQ5[4:0]				SQ4[4:1]							
	Reserved	rw	rw	rw	rw	rw	rw	rw	rw	rw	rw	rw	rw	rw	rw	rw
	15	14	13	12	11	10	9	8	7	6	5	4	3	2	1	0
	SQ4_0		SQ3[4:0]				SQ2[4:0]				SQ1[4:0]					
	rw	rw	rw	rw	rw	rw	rw	rw	rw	rw	rw	rw	rw	rw	rw	rw

- Bits 31:30 Reserved, must be kept at reset value.
- Bits 29:25 **SQ6[4:0]**: 6th conversion in regular sequence
 These bits are written by software with the channel number (0..18) assigned as the 6th in the sequence to be converted.
- Bits 24:20 **SQ5[4:0]**: 5th conversion in regular sequence



Bits 19:15 **SQ4[4:0]**: 4th conversion in regular sequence

Bits 14:10 **SQ3[4:0]**: 3rd conversion in regular sequence

Bits 9:5 **SQ2[4:0]**: 2nd conversion in regular sequence

Bits 4:0 **SQ1[4:0]**: 1st conversion in regular sequence

10.13.12 ADC injected sequence register (ADC_JSQR)

Address offset: 0x38

Reset value: 0x0000 0000

31	30	29	28	27	26	25	24	23	22	21	20	19	18	17	16
Reserved										JL[1:0]		JSQ4[4:1]			
										rw	rw	rw	rw	rw	rw
15	14	13	12	11	10	9	8	7	6	5	4	3	2	1	0
JSQ4[0]		JSQ3[4:0]				JSQ2[4:0]				JSQ1[4:0]					
rw	rw	rw	rw	rw	rw	rw	rw	rw	rw	rw	rw	rw	rw	rw	rw

Bits 31:22 Reserved, must be kept at reset value.

Bits 21:20 **JL[1:0]**: Injected sequence length

These bits are written by software to define the total number of conversions in the injected channel conversion sequence.

00: 1 conversion

01: 2 conversions

10: 3 conversions

11: 4 conversions

Bits 19:15 **JSQ4[4:0]**: 4th conversion in injected sequence (when JL[1:0]=3, see note below)

These bits are written by software with the channel number (0..18) assigned as the 4th in the sequence to be converted.

Bits 14:10 **JSQ3[4:0]**: 3rd conversion in injected sequence (when JL[1:0]=3, see note below)

Bits 9:5 **JSQ2[4:0]**: 2nd conversion in injected sequence (when JL[1:0]=3, see note below)

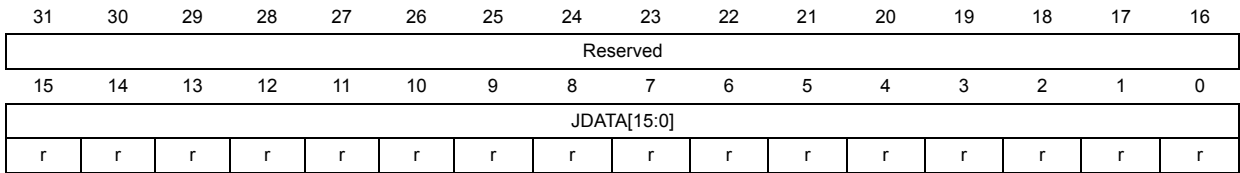
Bits 4:0 **JSQ1[4:0]**: 1st conversion in injected sequence (when JL[1:0]=3, see note below)

Note: When JL[1:0]=3 (4 injected conversions in the sequencer), the ADC converts the channels in the following order: JSQ1[4:0], JSQ2[4:0], JSQ3[4:0], and JSQ4[4:0].
 When JL=2 (3 injected conversions in the sequencer), the ADC converts the channels in the following order: JSQ2[4:0], JSQ3[4:0], and JSQ4[4:0].
 When JL=1 (2 injected conversions in the sequencer), the ADC converts the channels in starting from JSQ3[4:0], and then JSQ4[4:0].
 When JL=0 (1 injected conversion in the sequencer), the ADC converts only JSQ4[4:0] channel.

10.13.13 ADC injected data register x (ADC_JDRx) (x= 1..4)

Address offset: 0x3C - 0x48

Reset value: 0x0000 0000



Bits 31:16 Reserved, must be kept at reset value.

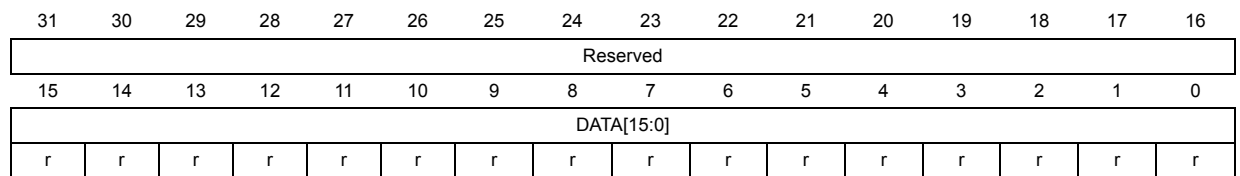
Bits 15:0 **JDATA[15:0]**: Injected data

These bits are read-only. They contain the conversion result from injected channel x. The data are left -or right-aligned as shown in [Figure 32](#) and [Figure 33](#).

10.13.14 ADC regular data register (ADC_DR)

Address offset: 0x4C

Reset value: 0x0000 0000



Bits 31:16 Reserved, must be kept at reset value.

Bits 15:0 **DATA[15:0]**: Regular data

These bits are read-only. They contain the conversion result from the regular channels. The data are left- or right-aligned as shown in [Figure 32](#) and [Figure 33](#).

10.13.15 ADC Common status register (ADC_CSR)

Address offset: 0x00 (this offset address is relative to ADC1 base address + 0x300)

Reset value: 0x0000 0000

This register provides an image of the status bits of the different ADCs. Nevertheless it is read-only and does not allow to clear the different status bits. Instead each status bit must be cleared by writing it to 0 in the corresponding ADC_SR register.

Reserved														OVR3	STRT3	JSTRT3	JEOC 3	EOC3	AWD3			
Reserved														ADC3								
Reserved														r	r	r	r	r	r			
31	30	29	28	27	26	25	24	23	22	21	20	19	18	17	16							
Reserved						OVR2	STRT2	JSTRT 2	JEOC2	EOC2	AWD2	Reserved				OVR1	STRT1	JSTRT1	JEOC 1	EOC1	AWD1	
Reserved						ADC2						Reserved				ADC1						
Reserved						r	r	r	r	r	r	Reserved				r	r	r	r	r	r	r
15	14	13	12	11	10	9	8	7	6	5	4	3	2	1	0							

Bits 31:22 Reserved, must be kept at reset value.

Bits 7:6 Reserved, must be kept at reset value.

Bit 5 **OVR1**: Overrun flag of ADC1

This bit is a copy of the OVR bit in the ADC1_SR register.

Bit 4 **STRT1**: Regular channel Start flag of ADC1

This bit is a copy of the STRT bit in the ADC1_SR register.

Bit 3 **JSTRT1**: Injected channel Start flag of ADC1

This bit is a copy of the JSTRT bit in the ADC1_SR register.

Bit 2 **JEOC1**: Injected channel end of conversion of ADC1

This bit is a copy of the JEOC bit in the ADC1_SR register.

Bit 1 **EOC1**: End of conversion of ADC1

This bit is a copy of the EOC bit in the ADC1_SR register.

Bit 0 **AWD1**: Analog watchdog flag of ADC1

This bit is a copy of the AWD bit in the ADC1_SR register.

10.13.16 ADC common control register (ADC_CCR)

Address offset: 0x04 (this offset address is relative to ADC1 base address + 0x300)

Reset value: 0x0000 0000

Reserved														TSVREFE	VBATE	Reserved				ADCPRE	
Reserved														rw	rw	Reserved				rw	rw
31	30	29	28	27	26	25	24	23	22	21	20	19	18	17	16						
DMA[1:0]		DDS	Res.	DELAY[3:0]				Reserved				MULTI[4:0]									
rw	rw	rw		rw	rw	rw	rw	rw	rw	rw	rw	rw	rw	rw	rw						
15	14	13	12	11	10	9	8	7	6	5	4	3	2	1	0						



Bits 31:24 Reserved, must be kept at reset value.

Bit 23 **TSVREFE**: Temperature sensor and V_{REFINT} enable

This bit is set and cleared by software to enable/disable the temperature sensor and the V_{REFINT} channel.

0: Temperature sensor and V_{REFINT} channel disabled

1: Temperature sensor and V_{REFINT} channel enabled

Note:

Bit 22 **VBATE**: V_{BAT} enable

This bit is set and cleared by software to enable/disable the V_{BAT} channel.

0: V_{BAT} channel disabled

1: V_{BAT} channel enabled

Bits 21:18 Reserved, must be kept at reset value.

Bits 17:16 **ADCPRE**: ADC prescaler

Set and cleared by software to select the frequency of the clock to the ADC. The clock is common for all the ADCs.

Note: 00: PCLK2 divided by 2

01: PCLK2 divided by 4

10: PCLK2 divided by 6

11: PCLK2 divided by 8

Bits 15:14 **DMA**: Direct memory access mode for multi ADC mode

This bit-field is set and cleared by software. Refer to the DMA controller section for more details.

00: DMA mode disabled

01: DMA mode 1 enabled (2 / 3 half-words one by one - 1 then 2 then 3)

10: DMA mode 2 enabled (2 / 3 half-words by pairs - 2&1 then 1&3 then 3&2)

11: DMA mode 3 enabled (2 / 3 bytes by pairs - 2&1 then 1&3 then 3&2)

Bit 13 **DDS**: DMA disable selection (for multi-ADC mode)

This bit is set and cleared by software.

0: No new DMA request is issued after the last transfer (as configured in the DMA controller). DMA bits are not cleared by hardware, however they must have been cleared and set to the wanted mode by software before new DMA requests can be generated.

1: DMA requests are issued as long as data are converted and DMA = 01, 10 or 11.

Bit 12 Reserved, must be kept at reset value.

Bit 11:8 **DELAY**: Delay between 2 sampling phases

Set and cleared by software. These bits are used in dual or triple interleaved modes.

0000: $5 * T_{ADCCLK}$

0001: $6 * T_{ADCCLK}$

0010: $7 * T_{ADCCLK}$

...

1111: $20 * T_{ADCCLK}$

Bits 7:5 Reserved, must be kept at reset value.

Bits 4:0 **MULTI[4:0]**: Multi ADC mode selection

These bits are written by software to select the operating mode.

- All the ADCs independent:
 - 00000: Independent mode
- 00001 to 01001: Dual mode, ADC1 and ADC2 working together, ADC3 is independent
 - 00001: Combined regular simultaneous + injected simultaneous mode
 - 00010: Combined regular simultaneous + alternate trigger mode
 - 00011: Reserved
 - 00101: Injected simultaneous mode only
 - 00110: Regular simultaneous mode only
 - 00111: interleaved mode only
 - 01001: Alternate trigger mode only
- 10001 to 11001: Triple mode: ADC1, 2 and 3 working together
 - 10001: Combined regular simultaneous + injected simultaneous mode
 - 10010: Combined regular simultaneous + alternate trigger mode
 - 10011: Reserved
 - 10101: Injected simultaneous mode only
 - 10110: Regular simultaneous mode only
 - 10111: interleaved mode only
 - 11001: Alternate trigger mode only

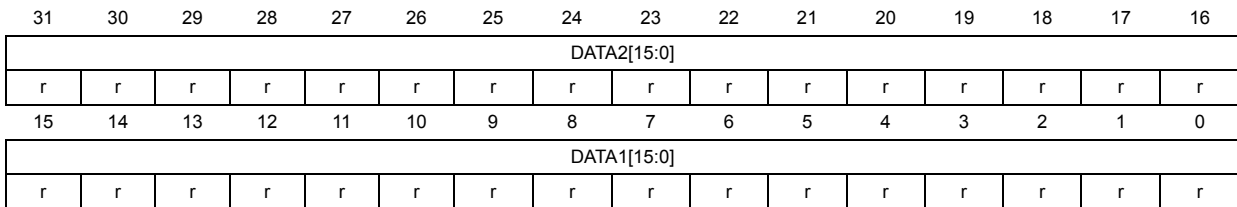
All other combinations are reserved and must not be programmed

Note: In multi mode, a change of channel configuration generates an abort that can cause a loss of synchronization. It is recommended to disable the multi ADC mode before any configuration change.

10.13.17 ADC common regular data register for dual and triple modes (ADC_CDR)

Address offset: 0x08 (this offset address is relative to ADC1 base address + 0x300)

Reset value: 0x0000 0000



- Bits 31:16 **DATA2[15:0]**: 2nd data item of a pair of regular conversions
- In dual mode, these bits contain the regular data of ADC2. Refer to [Dual ADC mode](#).
 - In triple mode, these bits contain alternatively the regular data of ADC2, ADC1 and ADC3. Refer to [Triple ADC mode](#).
- Bits 15:0 **DATA1[15:0]**: 1st data item of a pair of regular conversions
- In dual mode, these bits contain the regular data of ADC1. Refer to [Dual ADC mode](#)
 - In triple mode, these bits contain alternatively the regular data of ADC1, ADC3 and ADC2. Refer to [Triple ADC mode](#).

10.13.18 ADC register map

The following table summarizes the ADC registers.

Table 38. ADC global register map

Offset	Register
0x000 - 0x04C	ADC1
0x050 - 0x0FC	Reserved
0x100 - 0x14C	ADC2
0x118 - 0x1FC	Reserved
0x200 - 0x24C	ADC3
0x250 - 0x2FC	Reserved
0x300 - 0x308	Common registers

Table 39. ADC register map and reset values for each ADC

Offset	Register	31	30	29	28	27	26	25	24	23	22	21	20	19	18	17	16	15	14	13	12	11	10	9	8	7	6	5	4	3	2	1	0			
0x00	ADC_SR	Reserved																										OVR	STRT	JSTRT	JEOC	EOC	AWD			
	Reset value	0																										0	0	0	0	0				
0x04	ADC_CR1	Reserved						OVRIE	RES[1:0]	AWDEN	JAWDEN	Reserved						DISC NUM [2:0]	JDJSCEN	DISCEN	JAUTO	AWD SGL	SCAN	JEOCIE	AWDIE	EOCIE	AWDCH[4:0]									
	Reset value	0						0	0	0	0	0						0	0	0	0	0	0	0	0	0	0	0	0	0	0	0	0	0	0	
0x08	ADC_CR2	Reset	SWSTART	EXTEN[1:0]	EXTSEL [3:0]			Reset	JSWSTART	JEXTEN[1:0]	JEXTSEL [3:0]			Reserved						ALIGN	EOCS	DDS	DMA	Reserved				CONT	ADON							
	Reset value	0	0	0	0	0	0	0	0	0	0	0	0	0	0	0	0	0	0	0	0	0	0	0	0	0	0	0	0	0	0	0	0			
0x0C	ADC_SMPR1	Sample time bits SMPx_x																																		
	Reset value	0																																		
0x10	ADC_SMPR2	Sample time bits SMPx_x																																		
	Reset value	0																																		
0x14	ADC_JOFR1	Reserved																				JOFFSET1[11:0]														
	Reset value	0																				0														
0x18	ADC_JOFR2	Reserved																				JOFFSET2[11:0]														
	Reset value	0																				0														
0x1C	ADC_JOFR3	Reserved																				JOFFSET3[11:0]														
	Reset value	0																				0														
0x20	ADC_JOFR4	Reserved																				JOFFSET4[11:0]														
	Reset value	0																				0														
0x24	ADC_HTR	Reserved																				HT[11:0]														
	Reset value	1																				1														
0x28	ADC_LTR	Reserved																				LT[11:0]														
	Reset value	0																				0														
0x2C	ADC_SQR1	Reserved									L[3:0]	Regular channel sequence SQx_x bits																								
	Reset value	0									0	0	0	0	0																					
0x30	ADC_SQR2	Reserved	Regular channel sequence SQx_x bits																																	
	Reset value	0	0																																	
0x34	ADC_SQR3	Reserved	Regular channel sequence SQx_x bits																																	
	Reset value	0	0																																	
0x38	ADC_JSQR	Reserved									JL[1:0]	Injected channel sequence JSQx_x bits																								
	Reset value	0									0	0	0	0	0																					
0x3C	ADC_JDR1	Reserved																				JDATA[15:0]														
	Reset value	0																				0														
0x40	ADC_JDR2	Reserved																				JDATA[15:0]														
	Reset value	0																				0														
0x44	ADC_JDR3	Reserved																				JDATA[15:0]														
	Reset value	0																				0														
0x48	ADC_JDR4	Reserved																				JDATA[15:0]														
	Reset value	0																				0														
0x4C	ADC_DR	Reserved																				Regular DATA[15:0]														
	Reset value	0																				0														

Table 40. ADC register map and reset values (common ADC registers)

Offset	Register	31	30	29	28	27	26	25	24	23	22	21	20	19	18	17	16	15	14	13	12	11	10	9	8	7	6	5	4	3	2	1	0			
0x00	ADC_CSR	Reserved										OVR	STRT	JSTRT	JEOC	EOC	AWD	Reserved	OVR	STRT	JSTRT	JEOC	EOC	AWD	Reserved	OVR	STRT	JSTRT	JEOC	EOC	AWD					
	Reset value											0	0	0	0	0	0	0	0	0	0	0	0	0	0	0	0	0	0	0	0	0	0	0	0	0
0x04	ADC_CCR	Reserved								TSVREFE	VBATE	Reserved				ADCPRE[1:0]	DMA[1:0]	DDS	Reserved	DELAY [3:0]			Reserved	MULTI [4:0]												
	Reset value									0	0					0	0	0	0	0			0	0												
0x08	ADC_CDR	Regular DATA2[15:0]															Regular DATA1[15:0]																			
	Reset value	0	0	0	0	0	0	0	0	0	0	0	0	0	0	0	0	0	0	0	0	0	0	0	0	0	0	0	0	0	0	0	0			

Refer to [Section 2.3: Memory map](#) for the register boundary addresses.

11 Digital-to-analog converter (DAC)

This section applies to the whole STM32F20x and STM32F21x family, unless otherwise specified.

11.1 DAC introduction

The DAC module is a 12-bit, voltage output digital-to-analog converter. The DAC can be configured in 8- or 12-bit mode and may be used in conjunction with the DMA controller. In 12-bit mode, the data could be left- or right-aligned. The DAC has two output channels, each with its own converter. In dual DAC channel mode, conversions could be done independently or simultaneously when both channels are grouped together for synchronous update operations. An input reference pin, V_{REF+} (shared with ADC) is available for better resolution.

11.2 DAC main features

- Two DAC converters: one output channel each
- Left or right data alignment in 12-bit mode
- Synchronized update capability
- Noise-wave generation
- Triangular-wave generation
- Dual DAC channel for independent or simultaneous conversions
- DMA capability for each channel
- DMA underrun error detection
- External triggers for conversion
- Input voltage reference, V_{REF+}

[Figure 48](#) shows the block diagram of a DAC channel and [Table 41](#) gives the pin description.

Figure 48. DAC channel block diagram

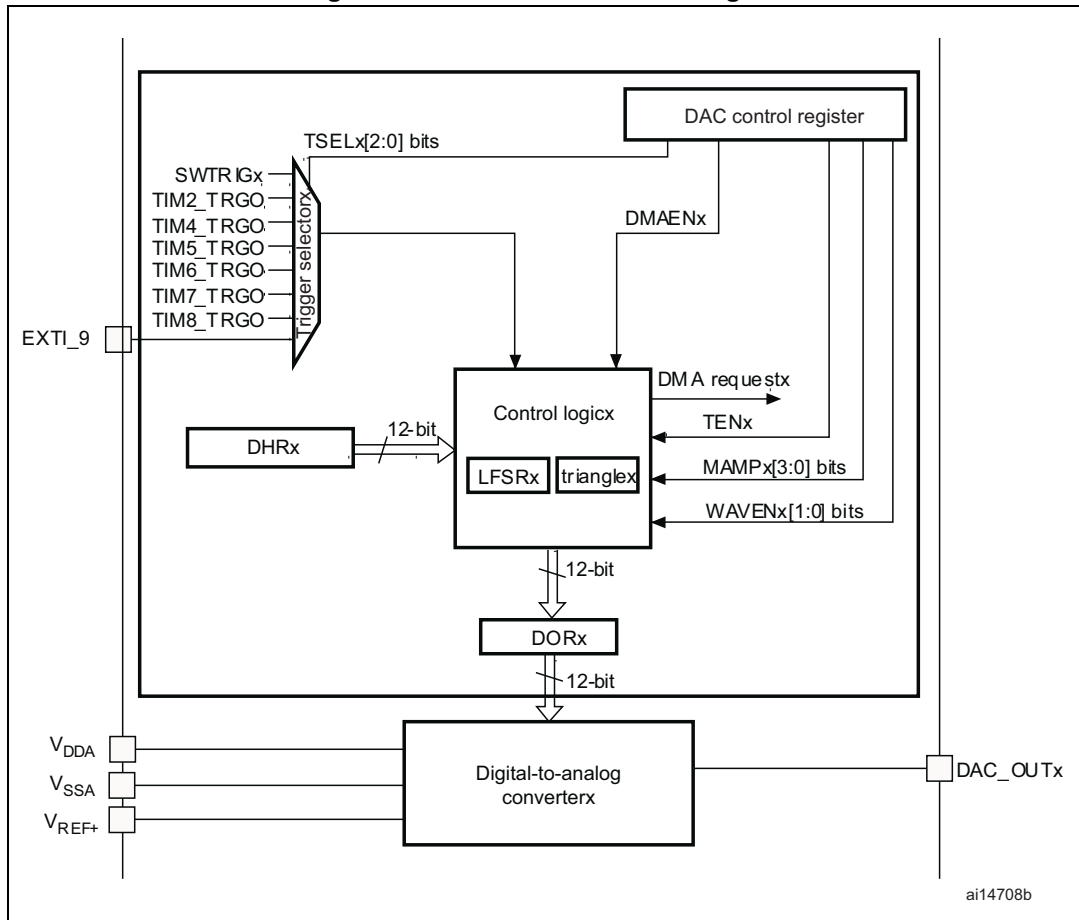


Table 41. DAC pins

Name	Signal type	Remarks
V _{REF+}	Input, analog reference positive	The higher/positive reference voltage for the DAC, $1.8\text{ V} \leq V_{\text{REF+}} \leq V_{\text{DDA}}$
V _{DDA}	Input, analog supply	Analog power supply
V _{SSA}	Input, analog supply ground	Ground for analog power supply
DAC_OUTx	Analog output signal	DAC channelx analog output

Note: Once the DAC channelx is enabled, the corresponding GPIO pin (PA4 or PA5) is automatically connected to the analog converter output (DAC_OUTx). In order to avoid parasitic consumption, the PA4 or PA5 pin should first be configured to analog (AIN).

11.3 DAC functional description

11.3.1 DAC channel enable

Each DAC channel can be powered on by setting its corresponding ENx bit in the DAC_CR register. The DAC channel is then enabled after a startup time t_{WAKEUP} .

Note: The ENx bit enables the analog DAC Channelx macrocell only. The DAC Channelx digital interface is enabled even if the ENx bit is reset.

11.3.2 DAC output buffer enable

The DAC integrates two output buffers that can be used to reduce the output impedance, and to drive external loads directly without having to add an external operational amplifier. Each DAC channel output buffer can be enabled and disabled using the corresponding BOFFx bit in the DAC_CR register.

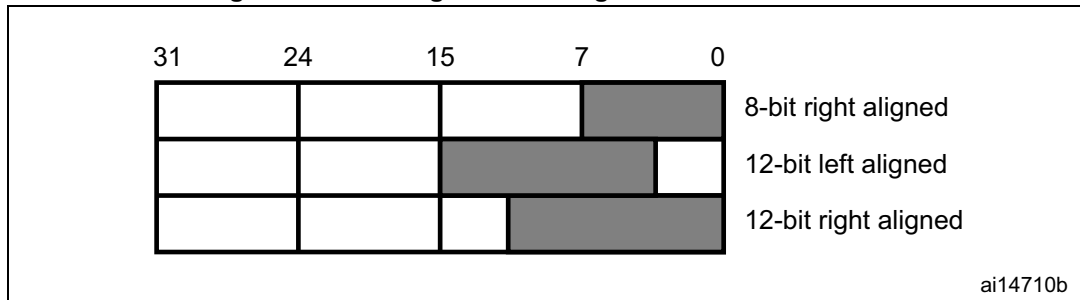
11.3.3 DAC data format

Depending on the selected configuration mode, the data have to be written into the specified register as described below:

- Single DAC channelx, there are three possibilities:
 - 8-bit right alignment: the software has to load data into the DAC_DHR8Rx [7:0] bits (stored into the DHRx[11:4] bits)
 - 12-bit left alignment: the software has to load data into the DAC_DHR12Lx [15:4] bits (stored into the DHRx[11:0] bits)
 - 12-bit right alignment: the software has to load data into the DAC_DHR12Rx [11:0] bits (stored into the DHRx[11:0] bits)

Depending on the loaded DAC_DHRyyyx register, the data written by the user is shifted and stored into the corresponding DHRx (data holding registerx, which are internal non-memory-mapped registers). The DHRx register is then loaded into the DORx register either automatically, by software trigger or by an external event trigger.

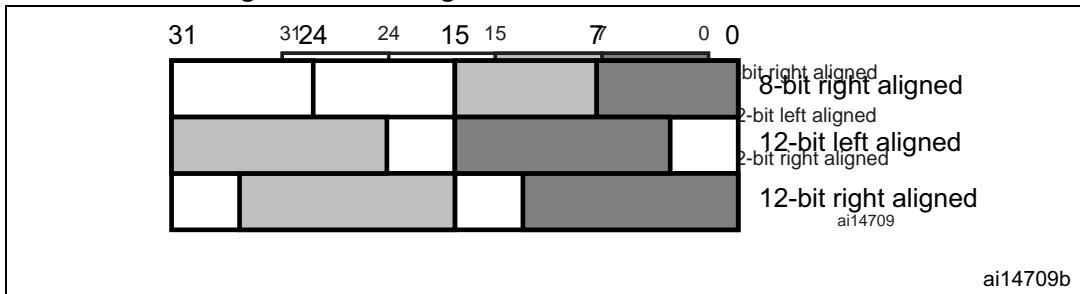
Figure 49. Data registers in single DAC channel mode



- Dual DAC channels, there are three possibilities:
 - 8-bit right alignment: data for DAC channel1 to be loaded into the DAC_DHR8RD [7:0] bits (stored into the DHR1[11:4] bits) and data for DAC channel2 to be loaded into the DAC_DHR8RD [15:8] bits (stored into the DHR2[11:4] bits)
 - 12-bit left alignment: data for DAC channel1 to be loaded into the DAC_DHR12LD [15:4] bits (stored into the DHR1[11:0] bits) and data for DAC channel2 to be loaded into the DAC_DHR12LD [31:20] bits (stored into the DHR2[11:0] bits)
 - 12-bit right alignment: data for DAC channel1 to be loaded into the DAC_DHR12RD [11:0] bits (stored into the DHR1[11:0] bits) and data for DAC channel2 to be loaded into the DAC_DHR12LD [27:16] bits (stored into the DHR2[11:0] bits)

Depending on the loaded DAC_DHRyyyD register, the data written by the user is shifted and stored into DHR1 and DHR2 (data holding registers, which are internal non-memory-mapped registers). The DHR1 and DHR2 registers are then loaded into the DOR1 and DOR2 registers, respectively, either automatically, by software trigger or by an external event trigger.

Figure 50. Data registers in dual DAC channel mode



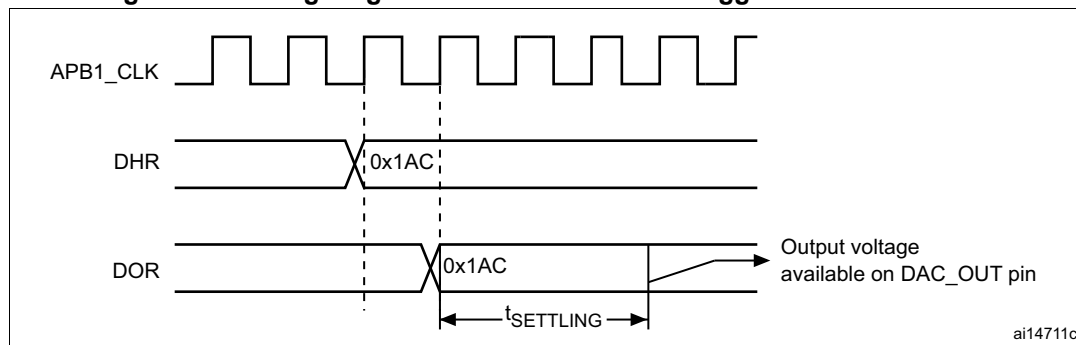
11.3.4 DAC conversion

The DAC_DORx cannot be written directly and any data transfer to the DAC channelx must be performed by loading the DAC_DHRx register (write to DAC_DHR8Rx, DAC_DHR12Lx, DAC_DHR12Rx, DAC_DHR8RD, DAC_DHR12LD or DAC_DHR12RD).

Data stored in the DAC_DHRx register are automatically transferred to the DAC_DORx register after one APB1 clock cycle, if no hardware trigger is selected (TENx bit in DAC_CR register is reset). However, when a hardware trigger is selected (TENx bit in DAC_CR register is set) and a trigger occurs, the transfer is performed three APB1 clock cycles later.

When DAC_DORx is loaded with the DAC_DHRx contents, the analog output voltage becomes available after a time $t_{SETTLING}$ that depends on the power supply voltage and the analog output load.

Figure 51. Timing diagram for conversion with trigger disabled TEN = 0



11.3.5 DAC output voltage

Digital inputs are converted to output voltages on a linear conversion between 0 and V_{REF+} .

The analog output voltages on each DAC channel pin are determined by the following equation:

$$DAC_{output} = V_{REF} \times \frac{DOR}{4096}$$

11.3.6 DAC trigger selection

If the $TENx$ control bit is set, conversion can then be triggered by an external event (timer counter, external interrupt line). The $TSELx[2:0]$ control bits determine which out of eight possible events trigger conversion as shown in [Table 42](#).

Table 42. External triggers

Source	Type	TSEL[2:0]
Timer 6 TRGO event	Internal signal from on-chip timers	000
Timer 8 TRGO event		001
Timer 7 TRGO event		010
Timer 5 TRGO event		011
Timer 2 TRGO event		100
Timer 4 TRGO event		101
EXTI line9	External pin	110
SWTRIG	Software control bit	111

Each time a DAC interface detects a rising edge on the selected timer TRGO output, or on the selected external interrupt line 9, the last data stored into the DAC_DHRx register are transferred into the DAC_DORx register. The DAC_DORx register is updated three APB1 cycles after the trigger occurs.

If the software trigger is selected, the conversion starts once the SWTRIG bit is set. SWTRIG is reset by hardware once the DAC_DORx register has been loaded with the DAC_DHRx register contents.

Note: TSELx[2:0] bit cannot be changed when the ENx bit is set.

When software trigger is selected, the transfer from the DAC_DHRx register to the DAC_DORx register takes only one APB1 clock cycle.

11.3.7 DMA request

Each DAC channel has a DMA capability. Two DMA channels are used to service DAC channel DMA requests.

A DAC DMA request is generated when an external trigger (but not a software trigger) occurs while the DMAENx bit is set. The value of the DAC_DHRx register is then transferred into the DAC_DORx register.

In dual mode, if both DMAENx bits are set, two DMA requests are generated. If only one DMA request is needed, the user should set only the corresponding DMAENx bit. In this way, the application can manage both DAC channels in dual mode by using one DMA request and a unique DMA channel.

DMA underrun

The DAC DMA request is not queued so that if a second external trigger arrives before the acknowledgement for the first external trigger is received (first request), then no new request is issued and the DMA channelx underrun flag DMAUDRx in the DAC_SR register is set, reporting the error condition. DMA data transfers are then disabled and no further DMA request is treated. The DAC channelx continues to convert old data.

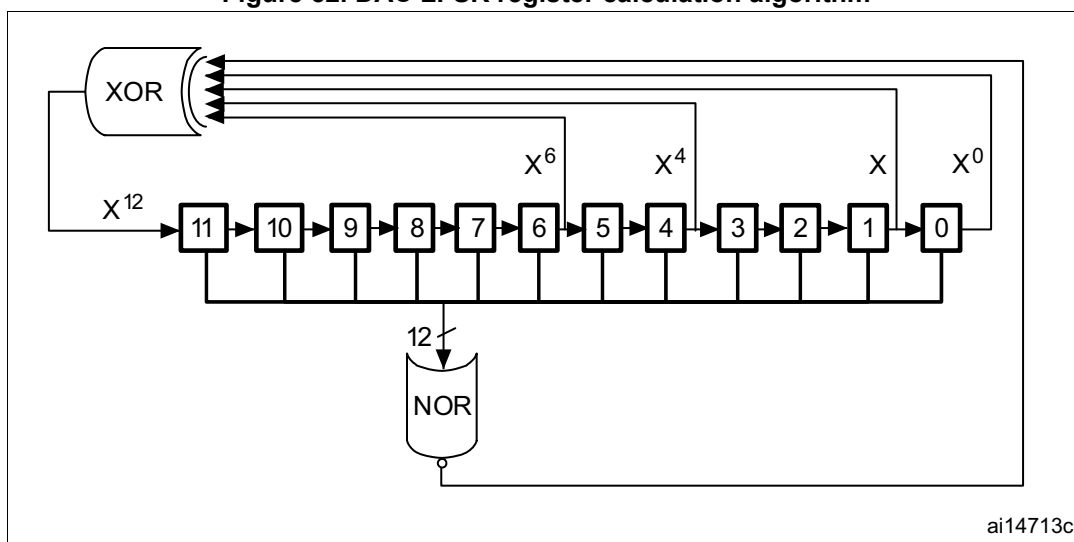
The software should clear the DMAUDRx flag by writing “1”, clear the DMAEN bit of the used DMA stream and re-initialize both DMA and DAC channelx to restart the transfer correctly. The software should modify the DAC trigger conversion frequency or lighten the DMA workload to avoid a new DMA underrun. Finally, the DAC conversion could be resumed by enabling both DMA data transfer and conversion trigger.

For each DAC channelx, an interrupt is also generated if its corresponding DMAUDRIEx bit in the DAC_CR register is enabled.

11.3.8 Noise generation

In order to generate a variable-amplitude pseudonoise, an LFSR (linear feedback shift register) is available. DAC noise generation is selected by setting WAVEx[1:0] to “01”. The preloaded value in LFSR is 0xAAA. This register is updated three APB1 clock cycles after each trigger event, following a specific calculation algorithm.

Figure 52. DAC LFSR register calculation algorithm

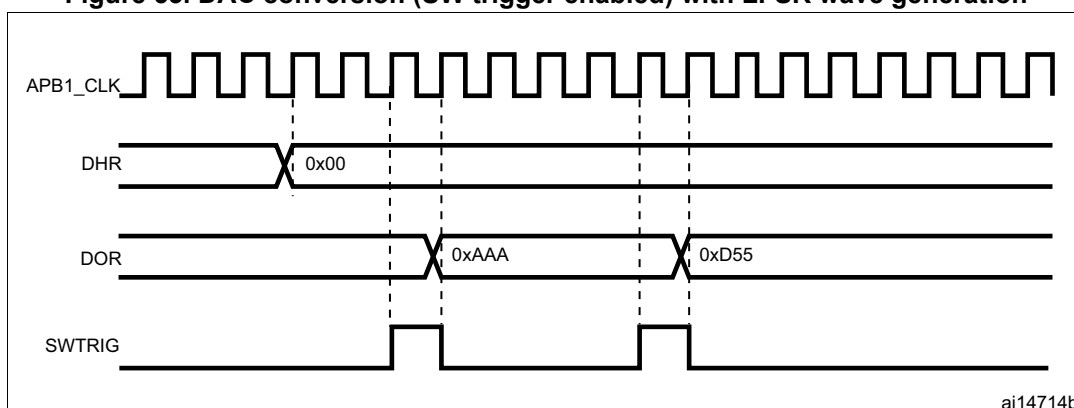


The LFSR value, that may be masked partially or totally by means of the MAMPx[3:0] bits in the DAC_CR register, is added up to the DAC_DHRx contents without overflow and this value is then stored into the DAC_DORx register.

If LFSR is 0x0000, a '1 is injected into it (antilock-up mechanism).

It is possible to reset LFSR wave generation by resetting the WAVEx[1:0] bits.

Figure 53. DAC conversion (SW trigger enabled) with LFSR wave generation



Note: The DAC trigger must be enabled for noise generation by setting the TENx bit in the DAC_CR register.

11.3.9 Triangle-wave generation

It is possible to add a small-amplitude triangular waveform on a DC or slowly varying signal. DAC triangle-wave generation is selected by setting WAVEx[1:0] to "10". The amplitude is configured through the MAMPx[3:0] bits in the DAC_CR register. An internal triangle counter is incremented three APB1 clock cycles after each trigger event. The value of this counter is then added to the DAC_DHRx register without overflow and the sum is stored into the DAC_DORx register. The triangle counter is incremented as long as it is less than the maximum amplitude defined by the MAMPx[3:0] bits. Once the configured amplitude is reached, the counter is decremented down to 0, then incremented again and so on.

It is possible to reset triangle wave generation by resetting the WAVEx[1:0] bits.

Figure 54. DAC triangle wave generation

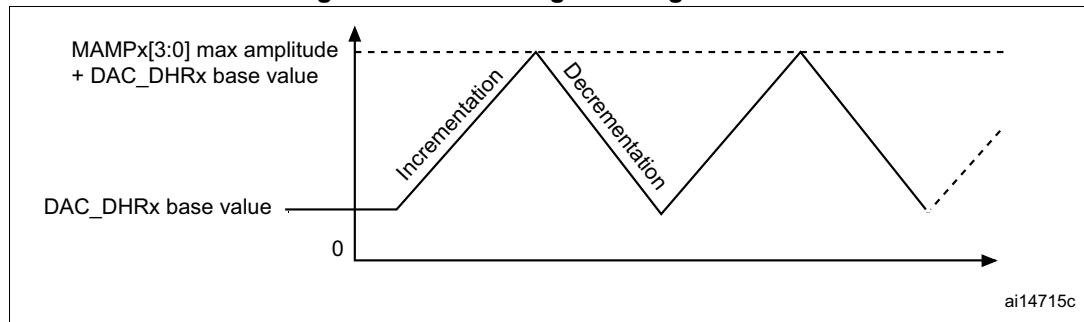
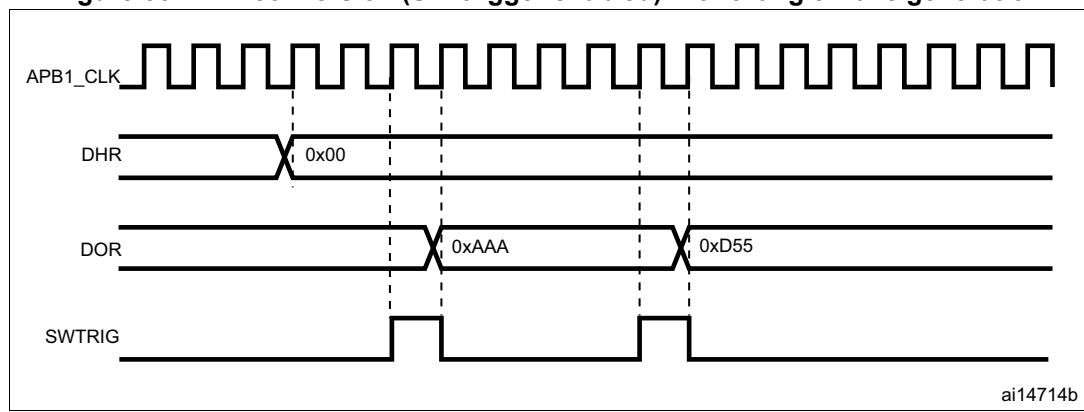


Figure 55. DAC conversion (SW trigger enabled) with triangle wave generation



Note: The DAC trigger must be enabled for noise generation by setting the TENx bit in the DAC_CR register.
 The MAMPx[3:0] bits must be configured before enabling the DAC, otherwise they cannot be changed.

11.4 Dual DAC channel conversion

To efficiently use the bus bandwidth in applications that require the two DAC channels at the same time, three dual registers are implemented: DHR8RD, DHR12RD and DHR12LD. A unique register access is then required to drive both DAC channels at the same time.

Eleven possible conversion modes are possible using the two DAC channels and these dual registers. All the conversion modes can nevertheless be obtained using separate DHRx registers if needed.

All modes are described in the paragraphs below.

11.4.1 Independent trigger without wave generation

To configure the DAC in this conversion mode, the following sequence is required:

- Set the two DAC channel trigger enable bits TEN1 and TEN2
- Configure different trigger sources by setting different values in the TSEL1[2:0] and TSEL2[2:0] bits
- Load the dual DAC channel data into the desired DHR register (DAC_DHR12RD, DAC_DHR12LD or DAC_DHR8RD)

When a DAC channel1 trigger arrives, the DHR1 register is transferred into DAC_DOR1 (three APB1 clock cycles later).

When a DAC channel2 trigger arrives, the DHR2 register is transferred into DAC_DOR2 (three APB1 clock cycles later).

11.4.2 Independent trigger with single LFSR generation

To configure the DAC in this conversion mode, the following sequence is required:

- Set the two DAC channel trigger enable bits TEN1 and TEN2
- Configure different trigger sources by setting different values in the TSEL1[2:0] and TSEL2[2:0] bits
- Configure the two DAC channel WAVEx[1:0] bits as "01" and the same LFSR mask value in the MAMPx[3:0] bits
- Load the dual DAC channel data into the desired DHR register (DHR12RD, DHR12LD or DHR8RD)

When a DAC channel1 trigger arrives, the LFSR1 counter, with the same mask, is added to the DHR1 register and the sum is transferred into DAC_DOR1 (three APB1 clock cycles later). Then the LFSR1 counter is updated.

When a DAC channel2 trigger arrives, the LFSR2 counter, with the same mask, is added to the DHR2 register and the sum is transferred into DAC_DOR2 (three APB1 clock cycles later). Then the LFSR2 counter is updated.

11.4.3 Independent trigger with different LFSR generation

To configure the DAC in this conversion mode, the following sequence is required:

- Set the two DAC channel trigger enable bits TEN1 and TEN2
- Configure different trigger sources by setting different values in the TSEL1[2:0] and TSEL2[2:0] bits
- Configure the two DAC channel WAVEx[1:0] bits as "01" and set different LFSR masks values in the MAMP1[3:0] and MAMP2[3:0] bits
- Load the dual DAC channel data into the desired DHR register (DAC_DHR12RD, DAC_DHR12LD or DAC_DHR8RD)

When a DAC channel1 trigger arrives, the LFSR1 counter, with the mask configured by MAMP1[3:0], is added to the DHR1 register and the sum is transferred into DAC_DOR1 (three APB1 clock cycles later). Then the LFSR1 counter is updated.

When a DAC channel2 trigger arrives, the LFSR2 counter, with the mask configured by MAMP2[3:0], is added to the DHR2 register and the sum is transferred into DAC_DOR2 (three APB1 clock cycles later). Then the LFSR2 counter is updated.

11.4.4 Independent trigger with single triangle generation

To configure the DAC in this conversion mode, the following sequence is required:

- Set the two DAC channel trigger enable bits TEN1 and TEN2
- Configure different trigger sources by setting different values in the TSEL1[2:0] and TSEL2[2:0] bits
- Configure the two DAC channel WAVEx[1:0] bits as “1x” and the same maximum amplitude value in the MAMPx[3:0] bits
- Load the dual DAC channel data into the desired DHR register (DAC_DHR12RD, DAC_DHR12LD or DAC_DHR8RD)

When a DAC channel1 trigger arrives, the DAC channel1 triangle counter, with the same triangle amplitude, is added to the DHR1 register and the sum is transferred into DAC_DOR1 (three APB1 clock cycles later). The DAC channel1 triangle counter is then updated.

When a DAC channel2 trigger arrives, the DAC channel2 triangle counter, with the same triangle amplitude, is added to the DHR2 register and the sum is transferred into DAC_DOR2 (three APB1 clock cycles later). The DAC channel2 triangle counter is then updated.

11.4.5 Independent trigger with different triangle generation

To configure the DAC in this conversion mode, the following sequence is required:

- Set the two DAC channel trigger enable bits TEN1 and TEN2
- Configure different trigger sources by setting different values in the TSEL1[2:0] and TSEL2[2:0] bits
- Configure the two DAC channel WAVEx[1:0] bits as “1x” and set different maximum amplitude values in the MAMP1[3:0] and MAMP2[3:0] bits
- Load the dual DAC channel data into the desired DHR register (DAC_DHR12RD, DAC_DHR12LD or DAC_DHR8RD)

When a DAC channel1 trigger arrives, the DAC channel1 triangle counter, with a triangle amplitude configured by MAMP1[3:0], is added to the DHR1 register and the sum is transferred into DAC_DOR1 (three APB1 clock cycles later). The DAC channel1 triangle counter is then updated.

When a DAC channel2 trigger arrives, the DAC channel2 triangle counter, with a triangle amplitude configured by MAMP2[3:0], is added to the DHR2 register and the sum is transferred into DAC_DOR2 (three APB1 clock cycles later). The DAC channel2 triangle counter is then updated.

11.4.6 Simultaneous software start

To configure the DAC in this conversion mode, the following sequence is required:

- Load the dual DAC channel data to the desired DHR register (DAC_DHR12RD, DAC_DHR12LD or DAC_DHR8RD)

In this configuration, one APB1 clock cycle later, the DHR1 and DHR2 registers are transferred into DAC_DOR1 and DAC_DOR2, respectively.

11.4.7 Simultaneous trigger without wave generation

To configure the DAC in this conversion mode, the following sequence is required:

- Set the two DAC channel trigger enable bits TEN1 and TEN2
- Configure the same trigger source for both DAC channels by setting the same value in the TSEL1[2:0] and TSEL2[2:0] bits
- Load the dual DAC channel data to the desired DHR register (DAC_DHR12RD, DAC_DHR12LD or DAC_DHR8RD)

When a trigger arrives, the DHR1 and DHR2 registers are transferred into DAC_DOR1 and DAC_DOR2, respectively (after three APB1 clock cycles).

11.4.8 Simultaneous trigger with single LFSR generation

To configure the DAC in this conversion mode, the following sequence is required:

- Set the two DAC channel trigger enable bits TEN1 and TEN2
- Configure the same trigger source for both DAC channels by setting the same value in the TSEL1[2:0] and TSEL2[2:0] bits
- Configure the two DAC channel WAVEx[1:0] bits as “01” and the same LFSR mask value in the MAMPx[3:0] bits
- Load the dual DAC channel data to the desired DHR register (DHR12RD, DHR12LD or DHR8RD)

When a trigger arrives, the LFSR1 counter, with the same mask, is added to the DHR1 register and the sum is transferred into DAC_DOR1 (three APB1 clock cycles later). The LFSR1 counter is then updated. At the same time, the LFSR2 counter, with the same mask, is added to the DHR2 register and the sum is transferred into DAC_DOR2 (three APB1 clock cycles later). The LFSR2 counter is then updated.

11.4.9 Simultaneous trigger with different LFSR generation

To configure the DAC in this conversion mode, the following sequence is required:

- Set the two DAC channel trigger enable bits TEN1 and TEN2
- Configure the same trigger source for both DAC channels by setting the same value in the TSEL1[2:0] and TSEL2[2:0] bits
- Configure the two DAC channel WAVEx[1:0] bits as “01” and set different LFSR mask values using the MAMP1[3:0] and MAMP2[3:0] bits
- Load the dual DAC channel data into the desired DHR register (DAC_DHR12RD, DAC_DHR12LD or DAC_DHR8RD)

When a trigger arrives, the LFSR1 counter, with the mask configured by MAMP1[3:0], is added to the DHR1 register and the sum is transferred into DAC_DOR1 (three APB1 clock cycles later). The LFSR1 counter is then updated.

At the same time, the LFSR2 counter, with the mask configured by MAMP2[3:0], is added to the DHR2 register and the sum is transferred into DAC_DOR2 (three APB1 clock cycles later). The LFSR2 counter is then updated.

11.4.10 Simultaneous trigger with single triangle generation

To configure the DAC in this conversion mode, the following sequence is required:

- Set the two DAC channel trigger enable bits TEN1 and TEN2
- Configure the same trigger source for both DAC channels by setting the same value in the TSEL1[2:0] and TSEL2[2:0] bits
- Configure the two DAC channel WAVEx[1:0] bits as “1x” and the same maximum amplitude value using the MAMPx[3:0] bits
- Load the dual DAC channel data into the desired DHR register (DAC_DHR12RD, DAC_DHR12LD or DAC_DHR8RD)

When a trigger arrives, the DAC channel1 triangle counter, with the same triangle amplitude, is added to the DHR1 register and the sum is transferred into DAC_DOR1 (three APB1 clock cycles later). The DAC channel1 triangle counter is then updated. At the same time, the DAC channel2 triangle counter, with the same triangle amplitude, is added to the DHR2 register and the sum is transferred into DAC_DOR2 (three APB1 clock cycles later). The DAC channel2 triangle counter is then updated.

11.4.11 Simultaneous trigger with different triangle generation

To configure the DAC in this conversion mode, the following sequence is required:

- Set the two DAC channel trigger enable bits TEN1 and TEN2
- Configure the same trigger source for both DAC channels by setting the same value in the TSEL1[2:0] and TSEL2[2:0] bits
- Configure the two DAC channel WAVEx[1:0] bits as “1x” and set different maximum amplitude values in the MAMP1[3:0] and MAMP2[3:0] bits
- Load the dual DAC channel data into the desired DHR register (DAC_DHR12RD, DAC_DHR12LD or DAC_DHR8RD)

When a trigger arrives, the DAC channel1 triangle counter, with a triangle amplitude configured by MAMP1[3:0], is added to the DHR1 register and the sum is transferred into DAC_DOR1 (three APB1 clock cycles later). Then the DAC channel1 triangle counter is updated.

At the same time, the DAC channel2 triangle counter, with a triangle amplitude configured by MAMP2[3:0], is added to the DHR2 register and the sum is transferred into DAC_DOR2 (three APB1 clock cycles later). Then the DAC channel2 triangle counter is updated.

11.5 DAC registers

Refer to [Section 1.1: List of abbreviations for registers for registers](#) for a list of abbreviations used in register descriptions.

The peripheral registers have to be accessed by words (32 bits).

11.5.1 DAC control register (DAC_CR)

Address offset: 0x00

Reset value: 0x0000 0000

31	30	29	28	27	26	25	24	23	22	21	20	19	18	17	16
Reserved		DMAU DRIE2	DMA EN2	MAMP2[3:0]				WAVE2[1:0]		TSEL2[2:0]			TEN2	BOFF2	EN2
		r/w	r/w	r/w	r/w	r/w	r/w	r/w	r/w	r/w	r/w	r/w	r/w	r/w	r/w
15	14	13	12	11	10	9	8	7	6	5	4	3	2	1	0
Reserved		DMAU DRIE1	DMA EN1	MAMP1[3:0]				WAVE1[1:0]		TSEL1[2:0]			TEN1	BOFF1	EN1
		r/w	r/w	r/w	r/w	r/w	r/w	r/w	r/w	r/w	r/w	r/w	r/w	r/w	r/w

Bits 31:30 Reserved, must be kept at reset value.

Bits 29 **DMAUDRIE2**: DAC channel2 DMA underrun interrupt enable

This bit is set and cleared by software.

0: DAC channel2 DMA underrun interrupt disabled

1: DAC channel2 DMA underrun interrupt enabled

Bit 28 **DMAEN2**: DAC channel2 DMA enable

This bit is set and cleared by software.

0: DAC channel2 DMA mode disabled

1: DAC channel2 DMA mode enabled

Bits 27:24 **MAMP2[3:0]**: DAC channel2 mask/amplitude selector

These bits are written by software to select mask in wave generation mode or amplitude in triangle generation mode.

0000: Unmask bit0 of LFSR/ triangle amplitude equal to 1

0001: Unmask bits[1:0] of LFSR/ triangle amplitude equal to 3

0010: Unmask bits[2:0] of LFSR/ triangle amplitude equal to 7

0011: Unmask bits[3:0] of LFSR/ triangle amplitude equal to 15

0100: Unmask bits[4:0] of LFSR/ triangle amplitude equal to 31

0101: Unmask bits[5:0] of LFSR/ triangle amplitude equal to 63

0110: Unmask bits[6:0] of LFSR/ triangle amplitude equal to 127

0111: Unmask bits[7:0] of LFSR/ triangle amplitude equal to 255

1000: Unmask bits[8:0] of LFSR/ triangle amplitude equal to 511

1001: Unmask bits[9:0] of LFSR/ triangle amplitude equal to 1023

1010: Unmask bits[10:0] of LFSR/ triangle amplitude equal to 2047

≥ 1011: Unmask bits[11:0] of LFSR/ triangle amplitude equal to 4095

Bits 23:22 **WAVE2[1:0]**: DAC channel2 noise/triangle wave generation enable

These bits are set/reset by software.

00: wave generation disabled

01: Noise wave generation enabled

1x: Triangle wave generation enabled

Note: Only used if bit TEN2 = 1 (DAC channel2 trigger enabled)

Bits 21:19 **TSEL2[2:0]**: DAC channel2 trigger selection

These bits select the external event used to trigger DAC channel2

000: Timer 6 TRGO event

001: Timer 8 TRGO event

010: Timer 7 TRGO event

011: Timer 5 TRGO event

100: Timer 2 TRGO event

101: Timer 4 TRGO event

110: External line9

111: Software trigger

Note: Only used if bit TEN2 = 1 (DAC channel2 trigger enabled).

Bit 18 **TEN2**: DAC channel2 trigger enable

This bit is set and cleared by software to enable/disable DAC channel2 trigger

0: DAC channel2 trigger disabled and data written into the DAC_DHRx register are transferred one APB1 clock cycle later to the DAC_DOR2 register

1: DAC channel2 trigger enabled and data from the DAC_DHRx register are transferred three APB1 clock cycles later to the DAC_DOR2 register

Note: When software trigger is selected, the transfer from the DAC_DHRx register to the DAC_DOR2 register takes only one APB1 clock cycle.

Bit 17 **BOFF2**: DAC channel2 output buffer disable

This bit is set and cleared by software to enable/disable DAC channel2 output buffer.

0: DAC channel2 output buffer enabled

1: DAC channel2 output buffer disabled

Bit 16 **EN2**: DAC channel2 enable

This bit is set and cleared by software to enable/disable DAC channel2.

0: DAC channel2 disabled

1: DAC channel2 enabled

Bits 15:14 Reserved, must be kept at reset value.

Bit 13 **DMAUDRIE1**: DAC channel1 DMA Underrun Interrupt enable

This bit is set and cleared by software.

0: DAC channel1 DMA Underrun Interrupt disabled

1: DAC channel1 DMA Underrun Interrupt enabled

Bit 12 **DMAEN1**: DAC channel1 DMA enable

This bit is set and cleared by software.

0: DAC channel1 DMA mode disabled

1: DAC channel1 DMA mode enabled

Bits 11:8 **MAMP1[3:0]**: DAC channel1 mask/amplitude selector

These bits are written by software to select mask in wave generation mode or amplitude in triangle generation mode.

0000: Unmask bit0 of LFSR/ triangle amplitude equal to 1
 0001: Unmask bits[1:0] of LFSR/ triangle amplitude equal to 3
 0010: Unmask bits[2:0] of LFSR/ triangle amplitude equal to 7
 0011: Unmask bits[3:0] of LFSR/ triangle amplitude equal to 15
 0100: Unmask bits[4:0] of LFSR/ triangle amplitude equal to 31
 0101: Unmask bits[5:0] of LFSR/ triangle amplitude equal to 63
 0110: Unmask bits[6:0] of LFSR/ triangle amplitude equal to 127
 0111: Unmask bits[7:0] of LFSR/ triangle amplitude equal to 255
 1000: Unmask bits[8:0] of LFSR/ triangle amplitude equal to 511
 1001: Unmask bits[9:0] of LFSR/ triangle amplitude equal to 1023
 1010: Unmask bits[10:0] of LFSR/ triangle amplitude equal to 2047
 ≥ 1011: Unmask bits[11:0] of LFSR/ triangle amplitude equal to 4095

Bits 7:6 **WAVE1[1:0]**: DAC channel1 noise/triangle wave generation enable

These bits are set and cleared by software.

00: wave generation disabled
 01: Noise wave generation enabled
 1x: Triangle wave generation enabled

Note: Only used if bit TEN1 = 1 (DAC channel1 trigger enabled).

Bits 5:3 **TSEL1[2:0]**: DAC channel1 trigger selection

These bits select the external event used to trigger DAC channel1.

000: Timer 6 TRGO event
 001: Timer 8 TRGO event
 010: Timer 7 TRGO event
 011: Timer 5 TRGO event
 100: Timer 2 TRGO event
 101: Timer 4 TRGO event
 110: External line9
 111: Software trigger

Note: Only used if bit TEN1 = 1 (DAC channel1 trigger enabled).

Bit 2 **TEN1**: DAC channel1 trigger enable

This bit is set and cleared by software to enable/disable DAC channel1 trigger.

0: DAC channel1 trigger disabled and data written into the DAC_DHRx register are transferred one APB1 clock cycle later to the DAC_DOR1 register
 1: DAC channel1 trigger enabled and data from the DAC_DHRx register are transferred three APB1 clock cycles later to the DAC_DOR1 register

Note: When software trigger is selected, the transfer from the DAC_DHRx register to the DAC_DOR1 register takes only one APB1 clock cycle.

Bit 1 **BOFF1**: DAC channel1 output buffer disable

This bit is set and cleared by software to enable/disable DAC channel1 output buffer.

0: DAC channel1 output buffer enabled
 1: DAC channel1 output buffer disabled

Bit 0 **EN1**: DAC channel1 enable

This bit is set and cleared by software to enable/disable DAC channel1.

0: DAC channel1 disabled
 1: DAC channel1 enabled

11.5.2 DAC software trigger register (DAC_SWTRIGR)

Address offset: 0x04
 Reset value: 0x0000 0000

31	30	29	28	27	26	25	24	23	22	21	20	19	18	17	16
Reserved															
15	14	13	12	11	10	9	8	7	6	5	4	3	2	1	0
Reserved														SWTRIG2	SWTRIG1
														w	w

Bits 31:2 Reserved, must be kept at reset value.

Bit 1 **SWTRIG2**: DAC channel2 software trigger

This bit is set and cleared by software to enable/disable the software trigger.

0: Software trigger disabled

1: Software trigger enabled

Note: This bit is cleared by hardware (one APB1 clock cycle later) once the DAC_DHR2 register value has been loaded into the DAC_DOR2 register.

Bit 0 **SWTRIG1**: DAC channel1 software trigger

This bit is set and cleared by software to enable/disable the software trigger.

0: Software trigger disabled

1: Software trigger enabled

Note: This bit is cleared by hardware (one APB1 clock cycle later) once the DAC_DHR1 register value has been loaded into the DAC_DOR1 register.

11.5.3 DAC channel1 12-bit right-aligned data holding register (DAC_DHR12R1)

Address offset: 0x08
 Reset value: 0x0000 0000

31	30	29	28	27	26	25	24	23	22	21	20	19	18	17	16
Reserved															
15	14	13	12	11	10	9	8	7	6	5	4	3	2	1	0
Reserved				DACC1DHR[11:0]											
				rw	rw	rw	rw	rw	rw	rw	rw	rw	rw	rw	rw

Bits 31:12 Reserved, must be kept at reset value.

Bits 11:0 **DACC1DHR[11:0]**: DAC channel1 12-bit right-aligned data

These bits are written by software which specifies 12-bit data for DAC channel1.

11.5.4 DAC channel1 12-bit left aligned data holding register (DAC_DHR12L1)

Address offset: 0x0C

Reset value: 0x0000 0000

31	30	29	28	27	26	25	24	23	22	21	20	19	18	17	16
Reserved															
15	14	13	12	11	10	9	8	7	6	5	4	3	2	1	0
DACC1DHR[11:0]												Reserved			
rw	rw	rw	rw	rw	rw	rw	rw	rw	rw	rw	rw				

Bits 31:16 Reserved, must be kept at reset value.

Bits 15:4 **DACC1DHR[11:0]**: DAC channel1 12-bit left-aligned data

These bits are written by software which specifies 12-bit data for DAC channel1.

Bits 3:0 Reserved, must be kept at reset value.

11.5.5 DAC channel1 8-bit right aligned data holding register (DAC_DHR8R1)

Address offset: 0x10

Reset value: 0x0000 0000

31	30	29	28	27	26	25	24	23	22	21	20	19	18	17	16
Reserved															
15	14	13	12	11	10	9	8	7	6	5	4	3	2	1	0
Reserved								DACC1DHR[7:0]							
								rw	rw	rw	rw	rw	rw	rw	rw

Bits 31:8 Reserved, must be kept at reset value.

Bits 7:0 **DACC1DHR[7:0]**: DAC channel1 8-bit right-aligned data

These bits are written by software which specifies 8-bit data for DAC channel1.

11.5.6 DAC channel2 12-bit right aligned data holding register (DAC_DHR12R2)

Address offset: 0x14

Reset value: 0x0000 0000

31	30	29	28	27	26	25	24	23	22	21	20	19	18	17	16																
Reserved																															
15	14	13	12	11	10	9	8	7	6	5	4	3	2	1	0																
Reserved				DACC2DHR[11:0]																											
				<table border="1"> <tr> <td>r/w</td><td>r/w</td><td>r/w</td><td>r/w</td><td>r/w</td><td>r/w</td><td>r/w</td><td>r/w</td><td>r/w</td><td>r/w</td><td>r/w</td><td>r/w</td><td>r/w</td><td>r/w</td><td>r/w</td><td>r/w</td> </tr> </table>												r/w	r/w	r/w	r/w	r/w	r/w	r/w	r/w	r/w	r/w	r/w	r/w	r/w	r/w	r/w	r/w
r/w	r/w	r/w	r/w	r/w	r/w	r/w	r/w	r/w	r/w	r/w	r/w	r/w	r/w	r/w	r/w																

Bits 31:12 Reserved, must be kept at reset value.

Bits 11:0 **DACC2DHR[11:0]**: DAC channel2 12-bit right-aligned data

These bits are written by software which specifies 12-bit data for DAC channel2.

11.5.7 DAC channel2 12-bit left aligned data holding register (DAC_DHR12L2)

Address offset: 0x18

Reset value: 0x0000 0000

31	30	29	28	27	26	25	24	23	22	21	20	19	18	17	16												
Reserved																											
15	14	13	12	11	10	9	8	7	6	5	4	3	2	1	0												
DACC2DHR[11:0]												Reserved															
<table border="1"> <tr> <td>r/w</td><td>r/w</td><td>r/w</td><td>r/w</td><td>r/w</td><td>r/w</td><td>r/w</td><td>r/w</td><td>r/w</td><td>r/w</td><td>r/w</td><td>r/w</td> </tr> </table>												r/w	r/w	r/w	r/w	r/w	r/w	r/w	r/w	r/w	r/w	r/w	r/w				
r/w	r/w	r/w	r/w	r/w	r/w	r/w	r/w	r/w	r/w	r/w	r/w																

Bits 31:16 Reserved, must be kept at reset value.

Bits 15:4 **DACC2DHR[11:0]**: DAC channel2 12-bit left-aligned data

These bits are written by software which specify 12-bit data for DAC channel2.

Bits 3:0 Reserved, must be kept at reset value.

11.5.8 DAC channel2 8-bit right-aligned data holding register (DAC_DHR8R2)

Address offset: 0x1C

Reset value: 0x0000 0000

31	30	29	28	27	26	25	24	23	22	21	20	19	18	17	16								
Reserved																							
15	14	13	12	11	10	9	8	7	6	5	4	3	2	1	0								
Reserved								DACC2DHR[7:0]															
								<table border="1"> <tr> <td>r/w</td><td>r/w</td><td>r/w</td><td>r/w</td><td>r/w</td><td>r/w</td><td>r/w</td><td>r/w</td> </tr> </table>								r/w	r/w	r/w	r/w	r/w	r/w	r/w	r/w
r/w	r/w	r/w	r/w	r/w	r/w	r/w	r/w																

Bits 31:8 Reserved, must be kept at reset value.

Bits 7:0 **DACC2DHR[7:0]**: DAC channel2 8-bit right-aligned data

These bits are written by software which specifies 8-bit data for DAC channel2.

11.5.9 Dual DAC 12-bit right-aligned data holding register (DAC_DHR12RD)

Address offset: 0x20

Reset value: 0x0000 0000

31	30	29	28	27	26	25	24	23	22	21	20	19	18	17	16	
Reserved				DACC2DHR[11:0]												
				rw	rw	rw	rw	rw	rw	rw	rw	rw	rw	rw	rw	rw
15	14	13	12	11	10	9	8	7	6	5	4	3	2	1	0	
Reserved				DACC1DHR[11:0]												
				rw	rw	rw	rw	rw	rw	rw	rw	rw	rw	rw	rw	rw

Bits 31:28 Reserved, must be kept at reset value.

Bits 27:16 **DACC2DHR[11:0]**: DAC channel2 12-bit right-aligned data

These bits are written by software which specifies 12-bit data for DAC channel2.

Bits 15:12 Reserved, must be kept at reset value.

Bits 11:0 **DACC1DHR[11:0]**: DAC channel1 12-bit right-aligned data

These bits are written by software which specifies 12-bit data for DAC channel1.

11.5.10 DUAL DAC 12-bit left aligned data holding register (DAC_DHR12LD)

Address offset: 0x24

Reset value: 0x0000 0000

31	30	29	28	27	26	25	24	23	22	21	20	19	18	17	16
DACC2DHR[11:0]												Reserved			
rw	rw	rw	rw	rw	rw	rw	rw	rw	rw	rw	rw				
15	14	13	12	11	10	9	8	7	6	5	4	3	2	1	0
DACC1DHR[11:0]												Reserved			
rw	rw	rw	rw	rw	rw	rw	rw	rw	rw	rw	rw				

Bits 31:20 **DACC2DHR[11:0]**: DAC channel2 12-bit left-aligned data

These bits are written by software which specifies 12-bit data for DAC channel2.

Bits 19:16 Reserved, must be kept at reset value.

Bits 15:4 **DACC1DHR[11:0]**: DAC channel1 12-bit left-aligned data

These bits are written by software which specifies 12-bit data for DAC channel1.

Bits 3:0 Reserved, must be kept at reset value.

11.5.11 DUAL DAC 8-bit right aligned data holding register (DAC_DHR8RD)

Address offset: 0x28

Reset value: 0x0000 0000

31	30	29	28	27	26	25	24	23	22	21	20	19	18	17	16
Reserved															
15	14	13	12	11	10	9	8	7	6	5	4	3	2	1	0
DACC2DHR[7:0]								DACC1DHR[7:0]							
r/w	r/w	r/w	r/w	r/w	r/w	r/w	r/w	r/w	r/w	r/w	r/w	r/w	r/w	r/w	r/w

Bits 31:16 Reserved, must be kept at reset value.

Bits 15:8 **DACC2DHR[7:0]**: DAC channel2 8-bit right-aligned data

These bits are written by software which specifies 8-bit data for DAC channel2.

Bits 7:0 **DACC1DHR[7:0]**: DAC channel1 8-bit right-aligned data

These bits are written by software which specifies 8-bit data for DAC channel1.

11.5.12 DAC channel1 data output register (DAC_DOR1)

Address offset: 0x2C

Reset value: 0x0000 0000

31	30	29	28	27	26	25	24	23	22	21	20	19	18	17	16	
Reserved																
15	14	13	12	11	10	9	8	7	6	5	4	3	2	1	0	
Reserved				DACC1DOR[11:0]												
				r	r	r	r	r	r	r	r	r	r	r	r	r

Bits 31:12 Reserved, must be kept at reset value.

Bit 11:0 **DACC1DOR[11:0]**: DAC channel1 data output

These bits are read-only, they contain data output for DAC channel1.

11.5.13 DAC channel2 data output register (DAC_DOR2)

Address offset: 0x30

Reset value: 0x0000 0000

31	30	29	28	27	26	25	24	23	22	21	20	19	18	17	16	
Reserved																
15	14	13	12	11	10	9	8	7	6	5	4	3	2	1	0	
Reserved				DACC2DOR[11:0]												
				r	r	r	r	r	r	r	r	r	r	r	r	r

Bits 31:12 Reserved, must be kept at reset value.

Bits 11:0 **DACC2DOR[11:0]**: DAC channel2 data output

These bits are read-only, they contain data output for DAC channel2.

11.5.14 DAC status register (DAC_SR)

Address offset: 0x34

Reset value: 0x0000 0000

31	30	29	28	27	26	25	24	23	22	21	20	19	18	17	16
Reserved		DMAUDR2	Reserved												
		rc_w1													
15	14	13	12	11	10	9	8	7	6	5	4	3	2	1	0
Reserved		DMAUDR1	Reserved												
		rc_w1													

Bits 31:30 Reserved, must be kept at reset value.

Bit 29 **DMAUDR2**: DAC channel2 DMA underrun flag

This bit is set by hardware and cleared by software (by writing it to 1).

0: No DMA underrun error condition occurred for DAC channel2

1: DMA underrun error condition occurred for DAC channel2 (the currently selected trigger is driving DAC channel2 conversion at a frequency higher than the DMA service capability rate)

Bits 28:14 Reserved, must be kept at reset value.

Bit 13 **DMAUDR1**: DAC channel1 DMA underrun flag

This bit is set by hardware and cleared by software (by writing it to 1).

0: No DMA underrun error condition occurred for DAC channel1

1: DMA underrun error condition occurred for DAC channel1 (the currently selected trigger is driving DAC channel1 conversion at a frequency higher than the DMA service capability rate)

Bits 12:0 Reserved, must be kept at reset value.

11.5.15 DAC register map

Table 43 summarizes the DAC registers.

Table 43. DAC register map

Offset	Register	31	30	29	28	27	26	25	24	23	22	21	20	19	18	17	16	15	14	13	12	11	10	9	8	7	6	5	4	3	2	1	0			
0x00	DAC_CR	Reserved	DMAUDRIE2	DMAEN2	MAMP2[3:0]			WAVE 2[2:0]	TSEL2[2:0]			TEN2	BOFF2	EN2	Reserved	DMAUDRIE1	DMAEN1	MAMP1[3:0]			WAVE 1[2:0]	TSEL1[2:0]			TEN1	BOFF1	EN1				SWTRIG2	SWTRIG1				
0x04	DAC_SWTRIGR	Reserved																																		
0x08	DAC_DHR12R1	Reserved															DACC1DHR[11:0]																			
0x0C	DAC_DHR12L1	Reserved															DACC1DHR[11:0]															Reserved				
0x10	DAC_DHR8R1	Reserved																				DACC1DHR[7:0]														
0x14	DAC_DHR12R2	Reserved															DACC2DHR[11:0]																			
0x18	DAC_DHR12L2	Reserved															DACC2DHR[11:0]															Reserved				

Table 43. DAC register map (continued)

Offset	Register	31	30	29	28	27	26	25	24	23	22	21	20	19	18	17	16	15	14	13	12	11	10	9	8	7	6	5	4	3	2	1	0
0x1C	DAC_DHR8R2	Reserved																							DACC2DHR[7:0]								
0x20	DAC_DHR12RD	Reserved		DACC2DHR[11:0]										Reserved			DACC1DHR[11:0]																
0x24	DAC_DHR12LD	DACC2DHR[11:0]										Reserved			DACC1DHR[11:0]						Reserved												
0x28	DAC_DHR8RD	Reserved													DACC2DHR[7:0]				DACC1DHR[7:0]														
0x2C	DAC_DOR1	Reserved																			DACC1DOR[11:0]												
0x30	DAC_DOR2	Reserved																			DACC2DOR[11:0]												
0x34	DAC_SR	Reserved	DMAUDR2	Reserved																DMAUDR1	Reserved												

Refer to [Section 2.3: Memory map](#) for the register boundary addresses.

12 Digital camera interface (DCMI)

This section applies to the whole STM32F20x and STM32F21x family, unless otherwise specified.

12.1 DCMI introduction

The digital camera is a synchronous parallel interface able to receive a high-speed data flow from an external 8-, 10-, 12- or 14-bit CMOS camera module. It supports different data formats: YCbCr4:2:2/RGB565 progressive video and compressed data (JPEG).

This interface is for use with black & white cameras, X24 and X5 cameras, and it is assumed that all pre-processing like resizing is performed in the camera module.

12.2 DCMI main features

- 8-, 10-, 12- or 14-bit parallel interface
- Embedded/external line and frame synchronization
- Continuous or snapshot mode
- Crop feature
- Supports the following data formats:
 - 8/10/12/14- bit progressive video: either monochrome or raw bayer
 - YCbCr 4:2:2 progressive video
 - RGB 565 progressive video
 - Compressed data: JPEG

12.3 DCMI pins

[Table 44](#) shows the DCMI pins.

Table 44. DCMI pins

Name	Signal type
D[0:13]	Data inputs
HSYNC	Horizontal synchronization input
VSYNC	Vertical synchronization input
PIXCLK	Pixel clock input

12.4 DCMI clocks

The digital camera interface uses two clock domains PIXCLK and HCLK. The signals generated with PIXCLK are sampled on the rising edge of HCLK once they are stable. An enable signal is generated in the HCLK domain, to indicate that data coming from the

camera are stable and can be sampled. The minimum PIXCLK period must be higher than 2.5 HCLK periods.

12.5 DCMI functional overview

The digital camera interface is a synchronous parallel interface that can receive high-speed (up to 54 Mbytes/s) data flows. It consists of up to 14 data lines (D13-D0) and a pixel clock line (PIXCLK). The pixel clock has a programmable polarity, so that data can be captured on either the rising or the falling edge of the pixel clock.

The data are packed into a 32-bit data register (DCMI_DR) and then transferred through a general-purpose DMA channel. The image buffer is managed by the DMA, not by the camera interface.

The data received from the camera can be organized in lines/frames (raw YUB/RGB/Bayer modes) or can be a sequence of JPEG images. To enable JPEG image reception, the JPEG bit (bit 3 of DCMI_CR register) must be set.

The data flow is synchronized either by hardware using the optional HSYNC (horizontal synchronization) and VSYNC (vertical synchronization) signals or by synchronization codes embedded in the data flow.

Figure 56 shows the DCMI block diagram.

Figure 56. DCMI block diagram

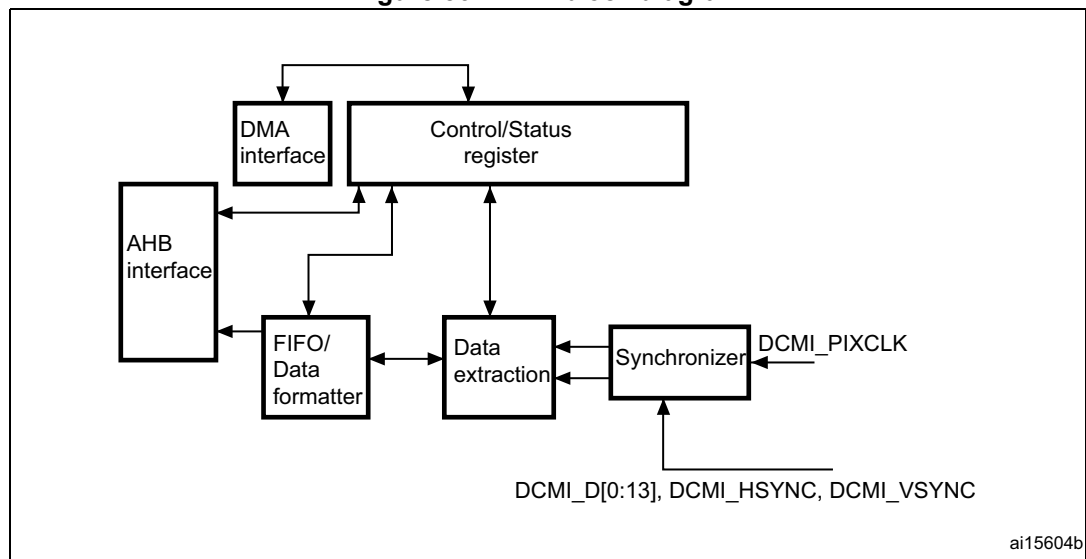
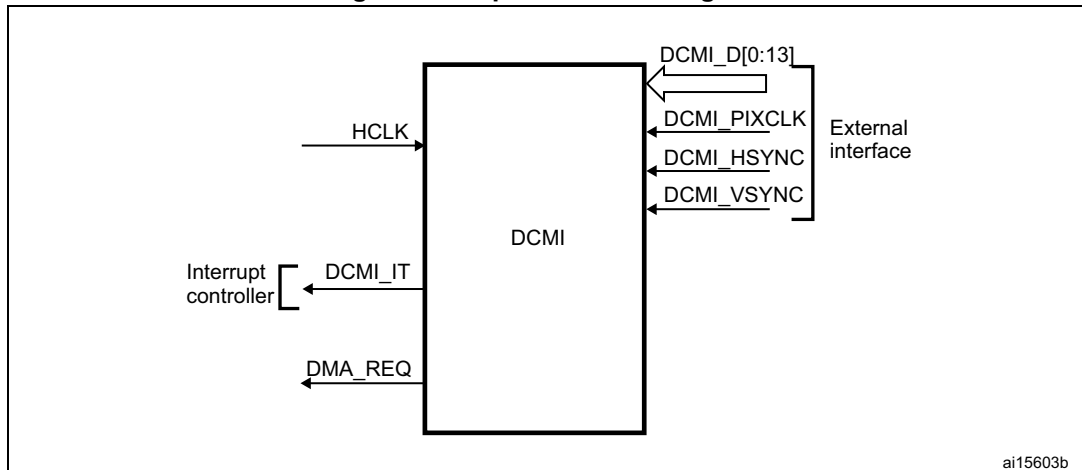


Figure 57. Top-level block diagram



12.5.1 DMA interface

The DMA interface is active when the CAPTURE bit in the DCMI_CR register is set. A DMA request is generated each time the camera interface receives a complete 32-bit data block in its register.

12.5.2 DCMI physical interface

The interface is composed of 11/13/15/17 inputs. Only the Slave mode is supported.

The camera interface can capture 8-bit, 10-bit, 12-bit or 14-bit data depending on the EDM[1:0] bits in the DCMI_CR register. If less than 14 bits are used, the unused data pins must not be assigned to DCMI interface through GPIO alternate functions.

Table 45. DCMI signals

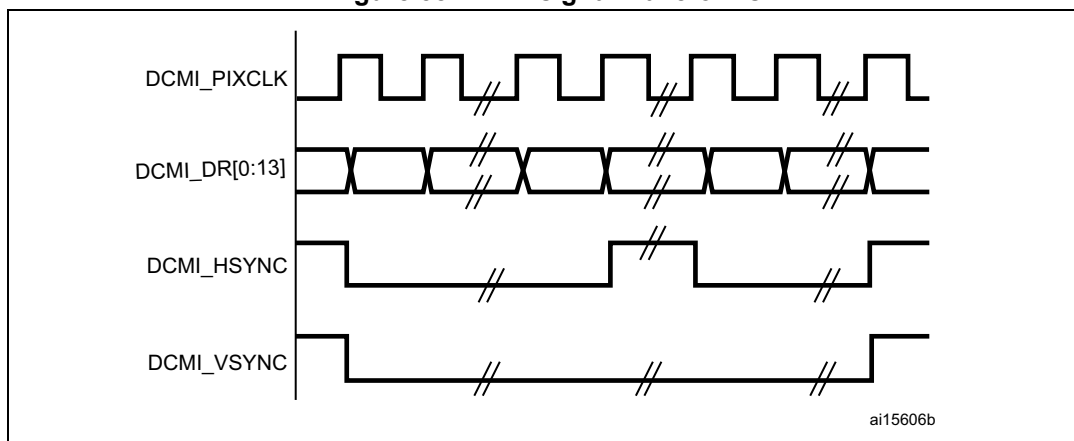
Signal name		Signal description
8 bits	D[0..7]	Data
10 bits	D[0..9]	
12 bits	D[0..11]	
14 bits	D[0..13]	
PIXCLK		Pixel clock
HSYNC		Horizontal synchronization / Data valid
VSYNC		Vertical synchronization

The data are synchronous with PIXCLK and change on the rising/falling edge of the pixel clock depending on the polarity.

The HSYNC signal indicates the start/end of a line.

The VSYNC signal indicates the start/end of a frame

Figure 58. DCMI signal waveforms



1. The capture edge of DCMI_PIXCLK is the falling edge, the active state of DCMI_HSYNC and DCMI_VSYNC is 1.
1. DCMI_HSYNC and DCMI_VSYNC can change states at the same time.

8-bit data

When EDM[1:0] in DCMI_CR are programmed to “00” the interface captures 8 LSB’s at its input (D[0:7]) and stores them as 8-bit data. The D[13:8] inputs are ignored. In this case, to capture a 32-bit word, the camera interface takes four pixel clock cycles.

The first captured data byte is placed in the LSB position in the 32-bit word and the 4th captured data byte is placed in the MSB position in the 32-bit word. Table 46 gives an example of the positioning of captured data bytes in two 32-bit words.

Table 46. Positioning of captured data bytes in 32-bit words (8-bit width)

Byte address	31:24	23:16	15:8	7:0
0	D _{n+3} [7:0]	D _{n+2} [7:0]	D _{n+1} [7:0]	D _n [7:0]
4	D _{n+7} [7:0]	D _{n+6} [7:0]	D _{n+5} [7:0]	D _{n+4} [7:0]

10-bit data

When EDM[1:0] in DCMI_CR are programmed to “01”, the camera interface captures 10-bit data at its input D[0..9] and stores them as the 10 least significant bits of a 16-bit word. The remaining most significant bits in the DCMI_DR register (bits 11 to 15) are cleared to zero. So, in this case, a 32-bit data word is made up every two pixel clock cycles.

The first captured data are placed in the LSB position in the 32-bit word and the 2nd captured data are placed in the MSB position in the 32-bit word as shown in Table 47.

Table 47. Positioning of captured data bytes in 32-bit words (10-bit width)

Byte address	31:26	25:16	15:10	9:0
0	0	D _{n+1} [9:0]	0	D _n [9:0]
4	0	D _{n+3} [9:0]	0	D _{n+2} [9:0]

12-bit data

When EDM[1:0] in DCMI_CR are programmed to “10”, the camera interface captures the 12-bit data at its input D[0..11] and stores them as the 12 least significant bits of a 16-bit word. The remaining most significant bits are cleared to zero. So, in this case a 32-bit data word is made up every two pixel clock cycles.

The first captured data are placed in the LSB position in the 32-bit word and the 2nd captured data are placed in the MSB position in the 32-bit word as shown in [Table 48](#).

Table 48. Positioning of captured data bytes in 32-bit words (12-bit width)

Byte address	31:28	27:16	15:12	11:0
0	0	D _{n+1} [11:0]	0	D _n [11:0]
4	0	D _{n+3} [11:0]	0	D _{n+2} [11:0]

14-bit data

When EDM[1:0] in DCMI_CR are programmed to “11”, the camera interface captures the 14-bit data at its input D[0..13] and stores them as the 14 least significant bits of a 16-bit word. The remaining most significant bits are cleared to zero. So, in this case a 32-bit data word is made up every two pixel clock cycles.

The first captured data are placed in the LSB position in the 32-bit word and the 2nd captured data are placed in the MSB position in the 32-bit word as shown in [Table 49](#).

Table 49. Positioning of captured data bytes in 32-bit words (14-bit width)

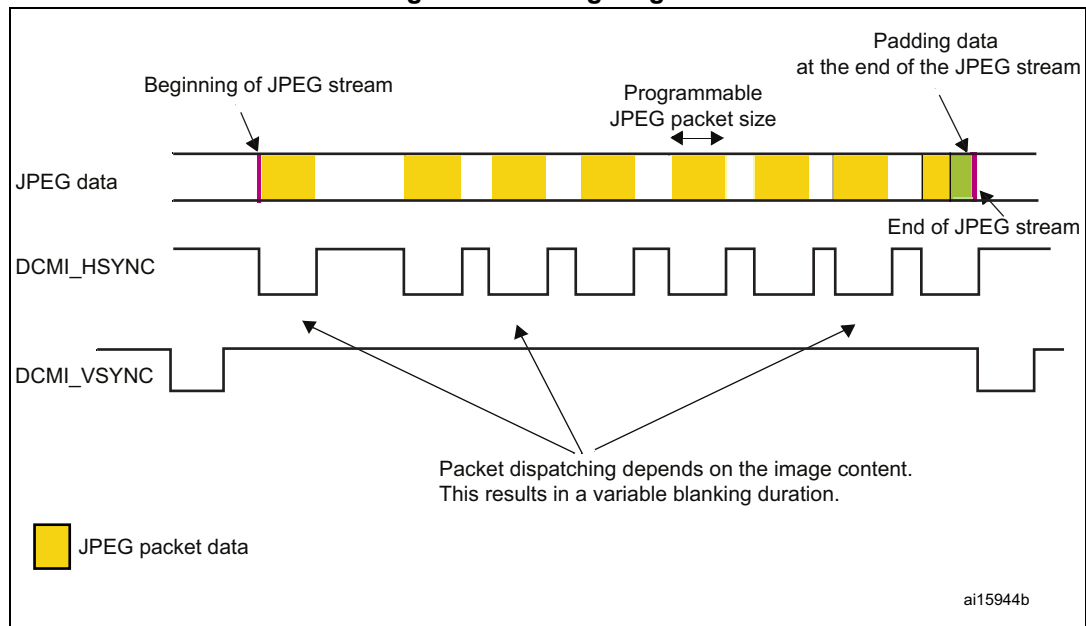
Byte address	31:30	29:16	15:14	13:0
0	0	D _{n+1} [13:0]	0	D _n [13:0]
4	0	D _{n+3} [13:0]	0	D _{n+2} [13:0]

12.5.3 Synchronization

The digital camera interface supports embedded or hardware (HSYNC & VSYNC) synchronization. When embedded synchronization is used, it is up to the digital camera module to make sure that the 0x00 and 0xFF values are used ONLY for synchronization (not in data). Embedded synchronization codes are supported only for the 8-bit parallel data interface width (that is, in the DCMI_CR register, the EDM[1:0] bits should be cleared to “00”).

For compressed data, the DCMI supports only the hardware synchronization mode. In this case, VSYNC is used as a start/end of the image, and HSYNC is used as a Data Valid signal. [Figure 59](#) shows the corresponding timing diagram.

Figure 59. Timing diagram



Hardware synchronization mode

In hardware synchronisation mode, the two synchronization signals (HSYNC/VSYNC) are used.

Depending on the camera module/mode, data may be transmitted during horizontal/vertical synchronisation periods. The HSYNC/VSYNC signals act like blanking signals since all the data received during HSYNC/VSYNC active periods are ignored.

In order to correctly transfer images into the DMA/RAM buffer, data transfer is synchronized with the VSYNC signal. When the hardware synchronisation mode is selected, and capture is enabled (CAPTURE bit set in DCMI_CR), data transfer is synchronized with the deactivation of the VSYNC signal (next start of frame).

Transfer can then be continuous, with successive frames transferred by DMA to successive buffers or the same/circular buffer. To allow the DMA management of successive frames, a VSIF (Vertical synchronization interrupt flag) is activated at the end of each frame.

Embedded data synchronization mode

In this synchronisation mode, the data flow is synchronised using 32-bit codes embedded in the data flow. These codes use the 0x00/0xFF values that are *not* used in data anymore. There are 4 types of codes, all with a 0xFF0000XY format. The embedded synchronization codes are supported only in 8-bit parallel data width capture (in the DCMI_CR register, the EDM[1:0] bits should be programmed to "00"). For other data widths, this mode generates unpredictable results and must not be used.

Note: Camera modules can have 8 such codes (in interleaved mode). For this reason, the interleaved mode is not supported by the camera interface (otherwise, every other half-frame would be discarded).

- Mode 2

Four embedded codes signal the following events

- Frame start (FS)
- Frame end (FE)
- Line start (LS)
- Line end (LE)

The XY values in the 0xFF0000XY format of the four codes are programmable (see [Section 12.8.7](#)).

A 0xFF value programmed as a “frame end” means that all the unused codes are interpreted as valid frame end codes.

In this mode, once the camera interface has been enabled, the frame capture starts after the first occurrence of the frame end (FE) code followed by a frame start (FS) code.

- Mode 1

An alternative coding is the camera mode 1. This mode is ITU656 compatible.

The codes signal another set of events:

- SAV (active line) - line start
- EAV (active line) - line end
- SAV (blanking) - end of line during interframe blanking period
- EAV (blanking) - end of line during interframe blanking period

This mode can be supported by programming the following codes:

- $FS \leq 0xFF$
- $FE \leq 0xFF$
- $LS \leq SAV$ (active)
- $LE \leq EAV$ (active)

An embedded unmask code is also implemented for frame/line start and frame/line end codes. Using it, it is possible to compare only the selected unmasked bits with the programmed code. You can therefore select a bit to compare in the embedded code and detect a frame/line start or frame/line end. This means that there can be different codes for the frame/line start and frame/line end with the unmasked bit position remaining the same.

Example

FS = 0xA5

Unmask code for FS = 0x10

In this case the frame start code is embedded in the bit 4 of the frame start code.

12.5.4 Capture modes

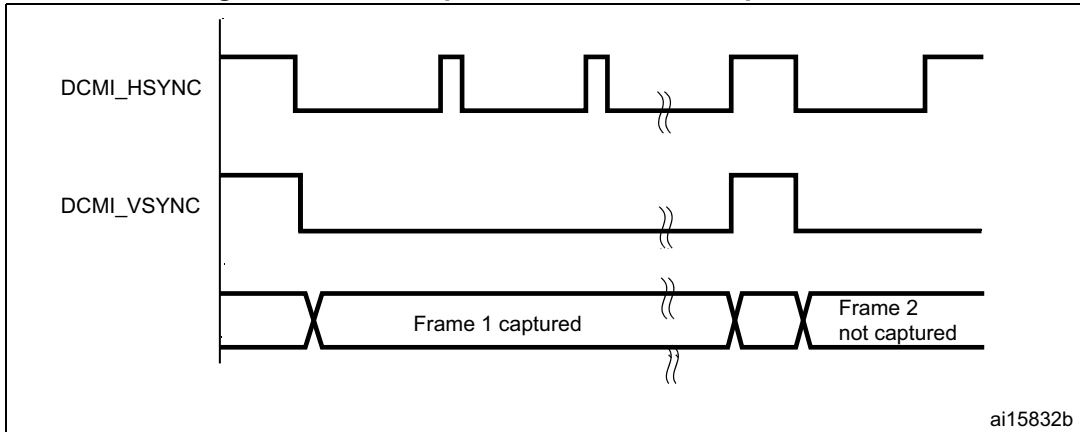
This interface supports two types of capture: snapshot (single frame) and continuous grab.

Snapshot mode (single frame)

In this mode, a single frame is captured (CM = '1' in the DCMI_CR register). After the CAPTURE bit is set in DCMI_CR, the interface waits for the detection of a start of frame before sampling the data. The camera interface is automatically disabled (CAPTURE bit cleared in DCMI_CR) after receiving the first complete frame. An interrupt is generated (IT_FRAME) if it is enabled.

In case of an overrun, the frame is lost and the CAPTURE bit is cleared.

Figure 60. Frame capture waveforms in Snapshot mode

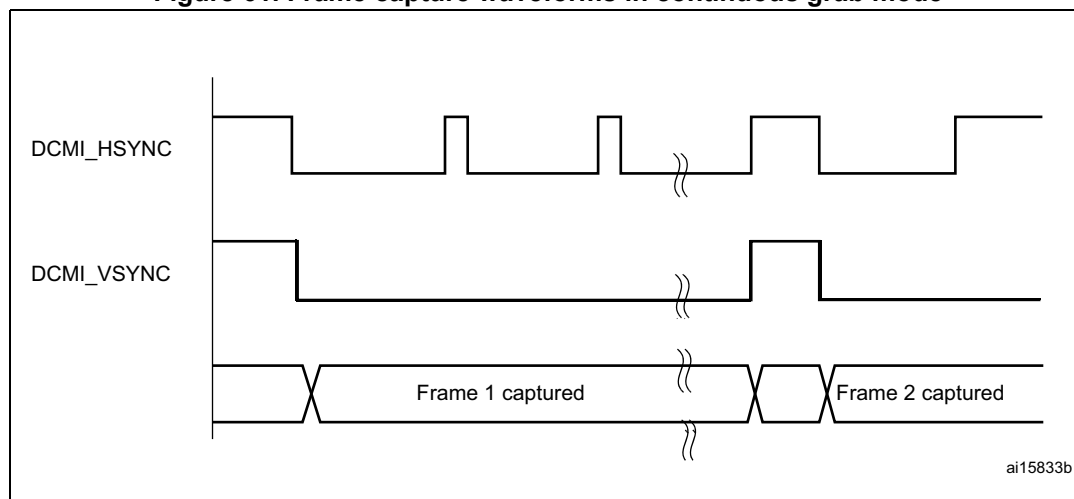


1. Here, the active state of DCMI_HSYNC and DCMI_VSYNC is 1.
2. DCMI_HSYNC and DCMI_VSYNC can change states at the same time.

Continuous grab mode

In this mode (CM bit = '0' in DCMI_CR), once the CAPTURE bit has been set in DCMI_CR, the grabbing process starts on the next VSYNC or embedded frame start depending on the mode. The process continues until the CAPTURE bit is cleared in DCMI_CR. Once the CAPTURE bit has been cleared, the grabbing process continues until the end of the current frame.

Figure 61. Frame capture waveforms in continuous grab mode



1. Here, the active state of DCMI_HSYNC and DCMI_VSYNC is 1.
2. DCMI_HSYNC and DCMI_VSYNC can change states at the same time.

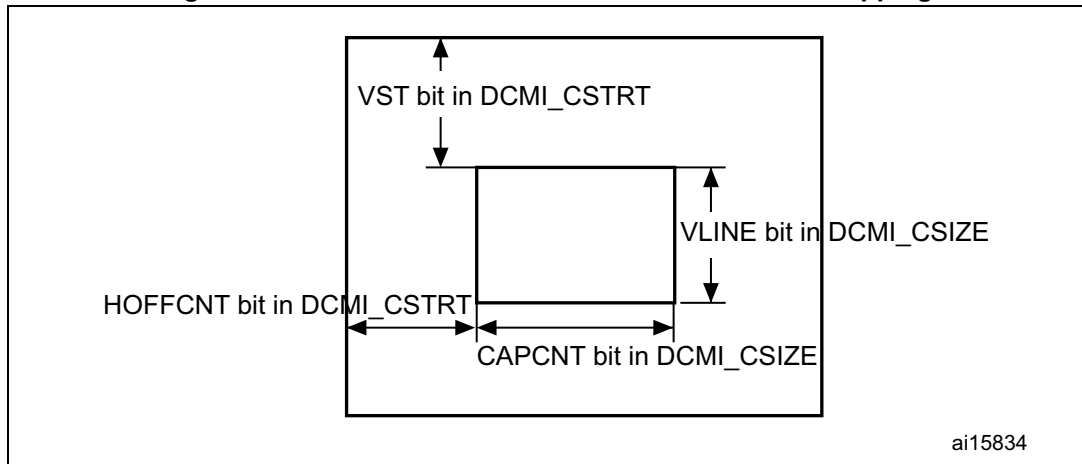
In continuous grab mode, you can configure the FCRC bits in DCMI_CR to grab all pictures, every second picture or one out of four pictures to decrease the frame capture rate.

Note: In the hardware synchronization mode (ESS = '0' in DCMI_CR), the IT_VSYNC interrupt is generated (if enabled) even when CAPTURE = '0' in DCMI_CR so, to reduce the frame capture rate even further, the IT_VSYNC interrupt can be used to count the number of frames between 2 captures in conjunction with the Snapshot mode. This is not allowed by embedded data synchronization mode.

12.5.5 Crop feature

With the crop feature, the camera interface can select a rectangular window from the received image. The start (upper left corner) coordinates and size (horizontal dimension in number of pixel clocks and vertical dimension in number of lines) are specified using two 32-bit registers (DCMI_CWSTRT and DCMI_CWSIZE). The size of the window is specified in number of pixel clocks (horizontal dimension) and in number of lines (vertical dimension).

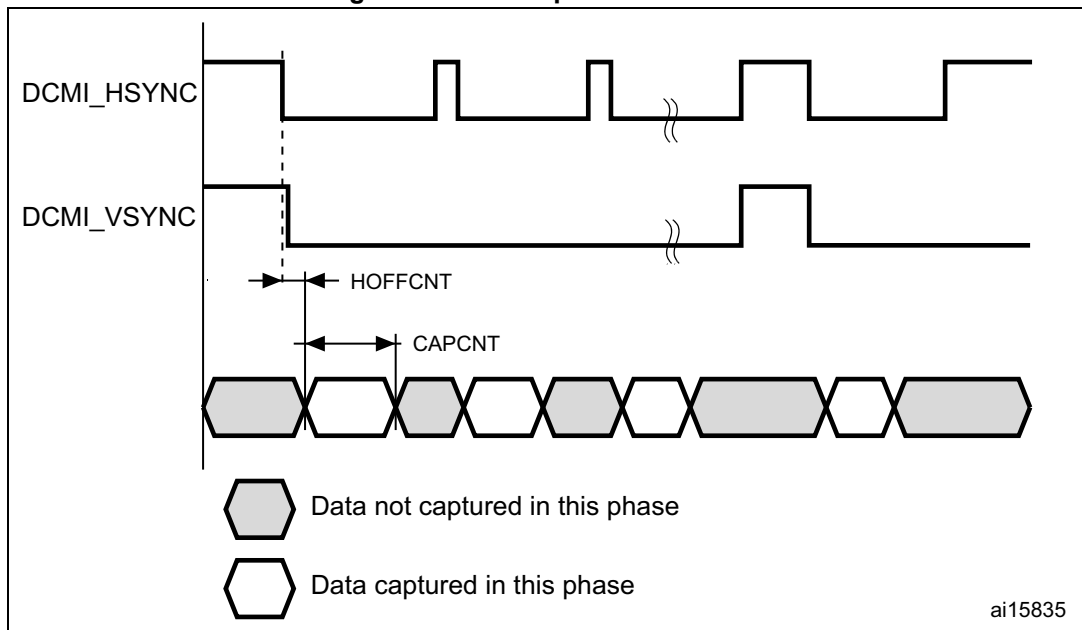
Figure 62. Coordinates and size of the window after cropping



These registers specify the coordinates of the starting point of the capture window as a line number (in the frame, starting from 0) and a number of pixel clocks (on the line, starting from 0), and the size of the window as a line number and a number of pixel clocks. The CAPCNT value can only be a multiple of 4 (two least significant bits are forced to 0) to allow the correct transfer of data through the DMA.

If the VSYNC signal goes active before the number of lines is specified in the DCMI_CWSIZE register, then the capture stops and an IT_FRAME interrupt is generated when enabled.

Figure 63. Data capture waveforms



1. Here, the active state of DCMI_HSYNC and DCMI_VSYNC is 1.
2. DCMI_HSYNC and DCMI_VSYNC can change states at the same time.

12.5.6 JPEG format

To allow JPEG image reception, it is necessary to set the JPEG bit in the DCMI_CR register. JPEG images are not stored as lines and frames, so the VSYNC signal is used to start the capture while HSYNC serves as a data enable signal. The number of bytes in a line may not be a multiple of 4, you should therefore be careful when handling this case since a DMA request is generated each time a complete 32-bit word has been constructed from the captured data. When an end of frame is detected and the 32-bit word to be transferred has not been completely received, the remaining data are padded with '0s' and a DMA request is generated.

The crop feature and embedded synchronization codes cannot be used in the JPEG format.

12.5.7 FIFO

A four-word FIFO is implemented to manage data rate transfers on the AHB. The DCMI features a simple FIFO controller with a read pointer incremented each time the camera interface reads from the AHB, and a write pointer incremented each time the camera interface writes to the FIFO. There is no overrun protection to prevent the data from being overwritten if the AHB interface does not sustain the data transfer rate.

In case of overrun or errors in the synchronization signals, the FIFO is reset and the DCMI interface waits for a new start of frame.

12.6 Data format description

12.6.1 Data formats

Three types of data are supported:

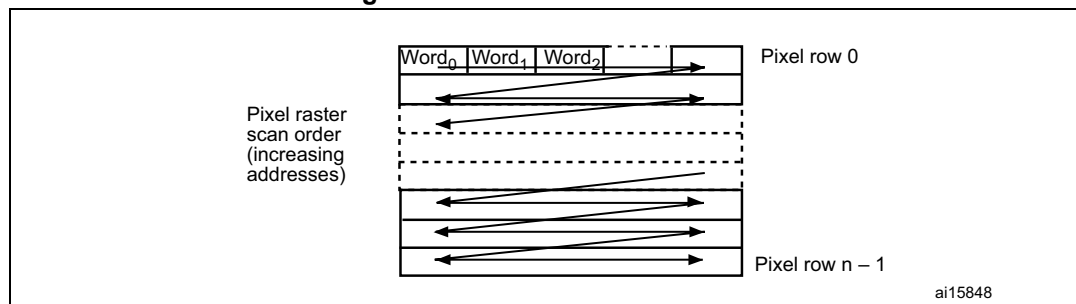
- 8-bit progressive video: either monochrome or raw Bayer format
- YCbCr 4:2:2 progressive video
- RGB565 progressive video. A pixel coded in 16 bits (5 bits for blue, 5 bits for red, 6 bits for green) takes two clock cycles to be transferred.

Compressed data: JPEG

For B&W, YCbCr or RGB data, the maximum input size is 2048 × 2048 pixels. No limit in JPEG compressed mode.

For monochrome, RGB & YCbCr, the frame buffer is stored in raster mode. 32-bit words are used. Only the little endian format is supported.

Figure 64. Pixel raster scan order



12.6.2 Monochrome format

Characteristics:

- Raster format
- 8 bits per pixel

Table 50 shows how the data are stored.

Table 50. Data storage in monochrome progressive video format

Byte address	31:24	23:16	15:8	7:0
0	n + 3	n + 2	n + 1	n
4	n + 7	n + 6	n + 5	n + 4

12.6.3 RGB format

Characteristics:

- Raster format
- RGB
- Interleaved: one buffer: R, G & B interleaved: BRGBRBRG, etc.
- Optimized for display output

The RGB planar format is compatible with standard OS frame buffer display formats.

Only 16 BPP (bits per pixel): RGB565 (2 pixels per 32-bit word) is supported.

The 24 BPP (palletized format) and grayscale formats are not supported. Pixels are stored in a raster scan order, that is from top to bottom for pixel rows, and from left to right within a pixel row. Pixel components are R (red), G (green) and B (blue). All components have the same spatial resolution (4:4:4 format). A frame is stored in a single part, with the components interleaved on a pixel basis.

Table 51 shows how the data are stored.

Table 51. Data storage in RGB progressive video format

Byte address	31:27	26:21	20:16	15:11	10:5	4:0
0	Red n + 1	Green n + 1	Blue n + 1	Red n	Green n	Blue n
4	Red n + 4	Green n + 3	Blue n + 3	Red n + 2	Green n + 2	Blue n + 2

12.6.4 YCbCr format

Characteristics:

- Raster format
- YCbCr 4:2:2
- Interleaved: one Buffer: Y, Cb & Cr interleaved: CbYCrYCbYCr, etc.

Pixel components are Y (luminance or “luma”), Cb and Cr (chrominance or “chroma” blue and red). Each component is encoded in 8 bits. Luma and chroma are stored together (interleaved) as shown in Table 52.

Table 52. Data storage in YCbCr progressive video format

Byte address	31:24	23:16	15:8	7:0
0	Y n + 1	Cr n	Y n	Cb n
4	Y n + 3	Cr n + 2	Y n + 2	Cb n + 2

12.7 DCMI interrupts

Five interrupts are generated. All interrupts are maskable by software. The global interrupt (IT_DCMI) is the OR of all the individual interrupts. [Table 53](#) gives the list of all interrupts.

Table 53. DCMI interrupts

Interrupt name	Interrupt event
IT_LINE	Indicates the end of line
IT_FRAME	Indicates the end of frame capture
IT_OVR	indicates the overrun of data reception
IT_VSYNC	Indicates the synchronization frame
IT_ERR	Indicates the detection of an error in the embedded synchronization frame detection
IT_DCMI	Logic OR of the previous interrupts

12.8 DCMI register description

All DCMI registers have to be accessed as 32-bit words, otherwise a bus error occurs.

12.8.1 DCMI control register 1 (DCMI_CR)

Address offset: 0x00

Reset value: 0x0000 0x0000

31	30	29	28	27	26	25	24	23	22	21	20	19	18	17	16	15	14	13	12	11	10	9	8	7	6	5	4	3	2	1	0
Reserved														ENABLE	Reserved		EDM		FCRC		VSPOL	HSPOL	PCKPOL	ESS	JPEG	CROP	CM	CAPTURE			
														rw			rw	rw	rw	rw	rw	rw	rw	rw	rw	rw	rw	rw	rw		

Bit 31:15 Reserved, must be kept at reset value.

Bit 14 **ENABLE**: DCMI enable

0: DCMI disabled

1: DCMI enabled

Note: The DCMI configuration registers should be programmed correctly before enabling this Bit

Bit 13: 12 Reserved, must be kept at reset value.

- Bits 11:10 **EDM[1:0]**: Extended data mode
- 00: Interface captures 8-bit data on every pixel clock
 - 01: Interface captures 10-bit data on every pixel clock
 - 10: Interface captures 12-bit data on every pixel clock
 - 11: Interface captures 14-bit data on every pixel clock
- Bits 9:8 **FCRC[1:0]**: Frame capture rate control
- These bits define the frequency of frame capture. They are meaningful only in Continuous grab mode. They are ignored in snapshot mode.
- 00: All frames are captured
 - 01: Every alternate frame captured (50% bandwidth reduction)
 - 10: One frame in 4 frames captured (75% bandwidth reduction)
 - 11: reserved
- Bit 7 **VSPOL**: Vertical synchronization polarity
- This bit indicates the level on the VSYNC pin when the data are not valid on the parallel interface.
- 0: VSYNC active low
 - 1: VSYNC active high
- Bit 6 **HSPOL**: Horizontal synchronization polarity
- This bit indicates the level on the HSYNC pin when the data are not valid on the parallel interface.
- 0: HSYNC active low
 - 1: HSYNC active high
- Bit 5 **PCKPOL**: Pixel clock polarity
- This bit configures the capture edge of the pixel clock
- 0: Falling edge active.
 - 1: Rising edge active.
- Bit 4 **ESS**: Embedded synchronization select
- 0: Hardware synchronization data capture (frame/line start/stop) is synchronized with the HSYNC/VSYNC signals.
 - 1: Embedded synchronization data capture is synchronized with synchronization codes embedded in the data flow.
- Note: Valid only for 8-bit parallel data. HSPOL/VSPOL are ignored when the ESS bit is set.*
- This bit is disabled in JPEG mode.
- Bit 3 **JPEG**: JPEG format
- 0: Uncompressed video format
 - 1: This bit is used for JPEG data transfers. The HSYNC signal is used as data enable. The crop and embedded synchronization features (ESS bit) cannot be used in this mode.
- Bits 2 **CROP**: Crop feature
- 0: The full image is captured. In this case the total number of bytes in an image frame should be a multiple of 4
 - 1: Only the data inside the window specified by the crop register are captured. If the size of the crop window exceeds the picture size, then only the picture size is captured.

Bit 1 **CM**: Capture mode
 0: Continuous grab mode - The received data are transferred into the destination memory through the DMA. The buffer location and mode (linear or circular buffer) is controlled through the system DMA.
 1: Snapshot mode (single frame) - Once activated, the interface waits for the start of frame and then transfers a single frame through the DMA. At the end of the frame, the CAPTURE bit is automatically reset.

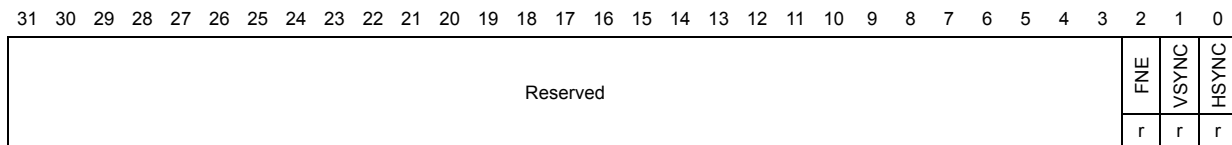
Bit 0 **CAPTURE**: Capture enable
 0: Capture disabled.
 1: Capture enabled.
 The camera interface waits for the first start of frame, then a DMA request is generated to transfer the received data into the destination memory.
 In snapshot mode, the CAPTURE bit is automatically cleared at the end of the 1st frame received.
 In continuous grab mode, if the software clears this bit while a capture is ongoing, the bit is effectively cleared after the frame end.

Note: The DMA controller and all DCMI configuration registers should be programmed correctly before enabling this bit.

12.8.2 DCMI status register (DCMI_SR)

Address offset: 0x04

Reset value: 0x0000 0x0000



Bits 31:3 Reserved, must be kept at reset value.

Bit 2 **FNE**: FIFO not empty
 This bit gives the status of the FIFO
 1: FIFO contains valid data
 0: FIFO empty

Bit 1 **VSYNC**
 This bit gives the state of the VSYNC pin with the correct programmed polarity. When embedded synchronization codes are used, the meaning of this bit is the following:
 0: active frame
 1: synchronization between frames
 In case of embedded synchronization, this bit is meaningful only if the CAPTURE bit in DCMI_CR is set.

Bit 0 **HSYNC**

This bit gives the state of the HSYNC pin with the correct programmed polarity. When embedded synchronization codes are used, the meaning of this bit is the following:

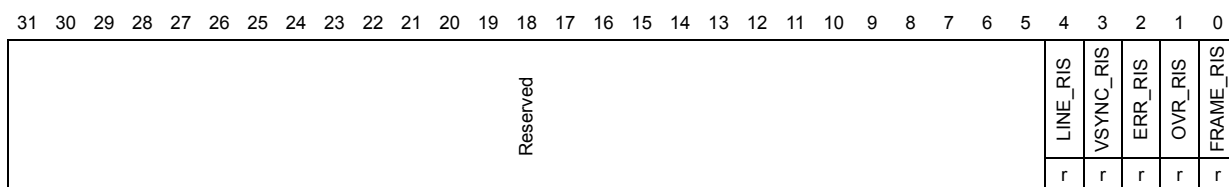
- 0: active line
- 1: synchronization between lines

In case of embedded synchronization, this bit is meaningful only if the CAPTURE bit in DCMI_CR is set.

12.8.3 DCMI raw interrupt status register (DCMI_RIS)

Address offset: 0x08

Reset value: 0x0000 0x0000



DCMI_RIS gives the raw interrupt status and is accessible in read only. When read, this register returns the status of the corresponding interrupt before masking with the DCMI_IER register value.

Bits 31:5 Reserved, must be kept at reset value.

Bit 4 **LINE_RIS**: Line raw interrupt status

This bit gets set when the HSYNC signal changes from the inactive state to the active state. It goes high even if the line is not valid.

In the case of embedded synchronization, this bit is set only if the CAPTURE bit in DCMI_CR is set.

It is cleared by writing a '1' to the LINE_ISC bit in DCMI_ICR.

Bit 3 **VSYNC_RIS**: VSYNC raw interrupt status

This bit is set when the VSYNC signal changes from the inactive state to the active state.

In the case of embedded synchronization, this bit is set only if the CAPTURE bit is set in DCMI_CR.

It is cleared by writing a '1' to the VSYNC_ISC bit in DCMI_ICR.

Bit 2 **ERR_RIS**: Synchronization error raw interrupt status

- 0: No synchronization error detected
- 1: Embedded synchronization characters are not received in the correct order.

This bit is valid only in the embedded synchronization mode. It is cleared by writing a '1' to the ERR_ISC bit in DCMI_ICR.

Note: This bit is available only in embedded synchronization mode.

Bit 1 **OVR_RIS**: Overrun raw interrupt status

- 0: No data buffer overrun occurred
- 1: A data buffer overrun occurred and the data FIFO is corrupted.

This bit is cleared by writing a '1' to the OVR_ISC bit in DCMI_ICR.

Bit 0 **FRAME_RIS**: Capture complete raw interrupt status
 0: No new capture
 1: A frame has been captured.
 This bit is set when a frame or window has been captured.
 In case of a cropped window, this bit is set at the end of line of the last line in the crop. It is set even if the captured frame is empty (e.g. window cropped outside the frame).
 This bit is cleared by writing a '1' to the FRAME_ISC bit in DCMI_ICR.

12.8.4 DCMI interrupt enable register (DCMI_IER)

Address offset: 0x0C

Reset value: 0x0000 0x0000

31	30	29	28	27	26	25	24	23	22	21	20	19	18	17	16	15	14	13	12	11	10	9	8	7	6	5	4	3	2	1	0
Reserved																											LINE_IE	VSYNC_IE	ERR_IE	OVR_IE	FRAME_IE
																											r/w	r/w	r/w	r/w	r/w

The DCMI_IER register is used to enable interrupts. When one of the DCMI_IER bits is set, the corresponding interrupt is enabled. This register is accessible in both read and write.

Bits 31:5 Reserved, must be kept at reset value.

Bit 4 **LINE_IE**: Line interrupt enable
 0: No interrupt generation when the line is received
 1: An interrupt is generated when a line has been completely received

Bit 3 **VSYNC_IE**: VSYNC interrupt enable
 0: No interrupt generation
 1: An interrupt is generated on each VSYNC transition from the inactive to the active state
 The active state of the VSYNC signal is defined by the VSPOL bit.

Bit 2 **ERR_IE**: Synchronization error interrupt enable
 0: No interrupt generation
 1: An interrupt is generated if the embedded synchronization codes are not received in the correct order.
Note: This bit is available only in embedded synchronization mode.

Bit 1 **OVR_IE**: Overrun interrupt enable
 0: No interrupt generation
 1: An interrupt is generated if the DMA was not able to transfer the last data before new data (32-bit) are received.

Bit 0 **FRAME_IE**: Capture complete interrupt enable
 0: No interrupt generation
 1: An interrupt is generated at the end of each received frame/crop window (in crop mode).

12.8.5 DCMI masked interrupt status register (DCMI_MIS)

This DCMI_MIS register is a read-only register. When read, it returns the current masked status value (depending on the value in DCMI_IER) of the corresponding interrupt. A bit in this register is set if the corresponding enable bit in DCMI_IER is set and the corresponding bit in DCMI_RIS is set.

Address offset: 0x10

Reset value: 0x0000

31	30	29	28	27	26	25	24	23	22	21	20	19	18	17	16	15	14	13	12	11	10	9	8	7	6	5	4	3	2	1	0
Reserved																											LINE_MIS	VSYNC_MIS	ERR_MIS	OVR_MIS	FRAME_MIS
																											r	r	r	r	r

Bits 31:5 Reserved, must be kept at reset value.

Bit 4 LINE_MIS: Line masked interrupt status

This bit gives the status of the masked line interrupt

0: No interrupt generation when the line is received

1: An Interrupt is generated when a line has been completely received and the LINE_IE bit is set in DCMI_IER.

Bit 3 VSYNC_MIS: VSYNC masked interrupt status

This bit gives the status of the masked VSYNC interrupt

0: No interrupt is generated on VSYNC transitions

1: An interrupt is generated on each VSYNC transition from the inactive to the active state and the VSYNC_IE bit is set in DCMI_IER.

The active state of the VSYNC signal is defined by the VSPOL bit.

Bit 2 ERR_MIS: Synchronization error masked interrupt status

This bit gives the status of the masked synchronization error interrupt

0: No interrupt is generated on a synchronization error

1: An interrupt is generated if the embedded synchronization codes are not received in the correct order and the ERR_IE bit in DCMI_IER is set.

Note: This bit is available only in embedded synchronization mode.

Bit 1 OVR_MIS: Overrun masked interrupt status

This bit gives the status of the masked overflow interrupt

0: No interrupt is generated on overrun

1: An interrupt is generated if the DMA was not able to transfer the last data before new data (32-bit) are received and the OVR_IE bit is set in DCMI_IER.

Bit 0 FRAME_MIS: Capture complete masked interrupt status

This bit gives the status of the masked capture complete interrupt

0: No interrupt is generated after a complete capture

1: An interrupt is generated at the end of each received frame/crop window (in crop mode) and the FRAME_IE bit is set in DCMI_IER.

12.8.6 DCMI interrupt clear register (DCMI_ICR)

Address offset: 0x14

Reset value: 0x0000 0x0000

31	30	29	28	27	26	25	24	23	22	21	20	19	18	17	16	15	14	13	12	11	10	9	8	7	6	5	4	3	2	1	0
Reserved																											LINE_ISC	VSYNC_ISC	ERR_ISC	OVR_ISC	FRAME_ISC
																											W	W	W	W	W

The DCMI_ICR register is write-only. Writing a '1' into a bit of this register clears the corresponding bit in the DCMI_RIS and DCMI_MIS registers. Writing a '0' has no effect.

Bits 15:5 Reserved, must be kept at reset value.

Bit 4 **LINE_ISC**: line interrupt status clear

Writing a '1' into this bit clears LINE_RIS in the DCMI_RIS register

Bit 3 **VSYNC_ISC**: Vertical synch interrupt status clear

Writing a '1' into this bit clears the VSYNC_RIS bit in DCMI_RIS

Bit 2 **ERR_ISC**: Synchronization error interrupt status clear

Writing a '1' into this bit clears the ERR_RIS bit in DCMI_RIS

Note: This bit is available only in embedded synchronization mode.

Bit 1 **OVR_ISC**: Overrun interrupt status clear

Writing a '1' into this bit clears the OVR_RIS bit in DCMI_RIS

Bits 0 **FRAME_ISC**: Capture complete interrupt status clear

Writing a '1' into this bit clears the FRAME_RIS bit in DCMI_RIS

12.8.7 DCMI embedded synchronization code register (DCMI_ESCR)

Address offset: 0x18

Reset value: 0x0000 0x0000

31	30	29	28	27	26	25	24	23	22	21	20	19	18	17	16	15	14	13	12	11	10	9	8	7	6	5	4	3	2	1	0
FEC								LEC								LSC								FSC							
rW	rW	rW	rW	rW	rW	rW	rW	rW	rW	rW	rW	rW	rW	rW	rW	rW	rW	rW	rW	rW	rW	rW	rW	rW	rW	rW	rW	rW	rW	rW	rW

Bits 31:24 **FEC**: Frame end delimiter code

This byte specifies the code of the frame end delimiter. The code consists of 4 bytes in the form of 0xFF, 0x00, 0x00, FEC.
 If FEC is programmed to 0xFF, all the unused codes (0xFF0000XY) are interpreted as frame end delimiters.

Bits 23:16 **LEC**: Line end delimiter code

This byte specifies the code of the line end delimiter. The code consists of 4 bytes in the form of 0xFF, 0x00, 0x00, LEC.

Bits 15:8 **LSC**: Line start delimiter code

This byte specifies the code of the line start delimiter. The code consists of 4 bytes in the form of 0xFF, 0x00, 0x00, LSC.

Bits 7:0 **FSC**: Frame start delimiter code

This byte specifies the code of the frame start delimiter. The code consists of 4 bytes in the form of 0xFF, 0x00, 0x00, FSC.
 If FSC is programmed to 0xFF, no frame start delimiter is detected. But, the 1st occurrence of LSC after an FEC code is interpreted as a start of frame delimiter.

12.8.8 DCMI embedded synchronization unmask register (DCMI_ESUR)

Address offset: 0x1C

Reset value: 0x0000 0x0000

31	30	29	28	27	26	25	24	23	22	21	20	19	18	17	16	15	14	13	12	11	10	9	8	7	6	5	4	3	2	1	0
FEU								LEU								LSU								FSU							
rw	rw	rw	rw	rw	rw	rw	rw	rw	rw	rw	rw	rw	rw	rw	rw	rw	rw	rw	rw	rw	rw	rw	rw	rw	rw	rw	rw	rw	rw	rw	rw

Bits 31:24 **FEU**: Frame end delimiter unmask

This byte specifies the mask to be applied to the code of the frame end delimiter.
 0: The corresponding bit in the FEC byte in DCMI_ESCR is masked while comparing the frame end delimiter with the received data.
 1: The corresponding bit in the FEC byte in DCMI_ESCR is compared while comparing the frame end delimiter with the received data

Bits 23:16 **LEU**: Line end delimiter unmask

This byte specifies the mask to be applied to the code of the line end delimiter.
 0: The corresponding bit in the LEC byte in DCMI_ESCR is masked while comparing the line end delimiter with the received data
 1: The corresponding bit in the LEC byte in DCMI_ESCR is compared while comparing the line end delimiter with the received data

Bits 15:8 **LSU**: Line start delimiter unmask

This byte specifies the mask to be applied to the code of the line start delimiter.
 0: The corresponding bit in the LSC byte in DCMI_ESCR is masked while comparing the line start delimiter with the received data
 1: The corresponding bit in the LSC byte in DCMI_ESCR is compared while comparing the line start delimiter with the received data

Bits 7:0 **FSU**: Frame start delimiter unmask

This byte specifies the mask to be applied to the code of the frame start delimiter.

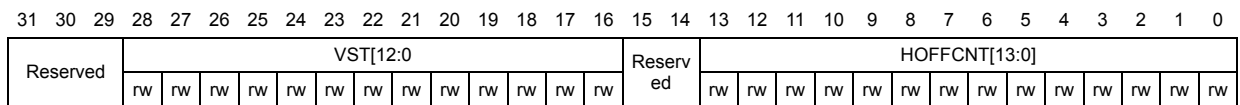
0: The corresponding bit in the FSC byte in DCMI_ESCR is masked while comparing the frame start delimiter with the received data

1: The corresponding bit in the FSC byte in DCMI_ESCR is compared while comparing the frame start delimiter with the received data

12.8.9 DCMI crop window start (DCMI_CWSTRT)

Address offset: 0x20

Reset value: 0x0000 0x0000



Bits 31:29 Reserved, must be kept at reset value.

Bits 28:16 **VST[12:0]**: Vertical start line count

The image capture starts with this line number. Previous line data are ignored.

0x0000 => line 1

0x0001 => line 2

0x0002 => line 3

....

Bits 15:14 Reserved, must be kept at reset value.

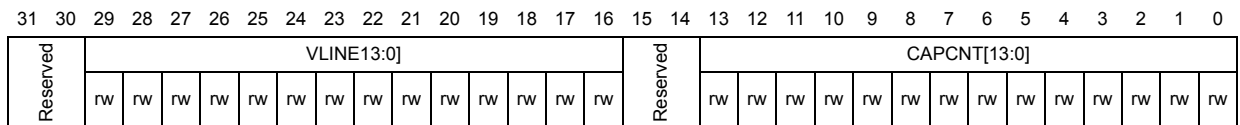
Bit 13:0 **HOFFCNT[13:0]**: Horizontal offset count

This value gives the number of pixel clocks to count before starting a capture.

12.8.10 DCMI crop window size (DCMI_CWSIZE)

Address offset: 0x24

Reset value: 0x0000 0x0000



Bits 31:30 Reserved, must be kept at reset value.

Bitst 29:16 **VLINE[13:0]**: Vertical line count

This value gives the number of lines to be captured from the starting point.

0x0000 => 1 line

0x0001 => 2 lines

0x0002 => 3 lines

....

Bits 15:14 Reserved, must be kept at reset value.

Bits 13:0 **CAPCNT[13:0]**: Capture count

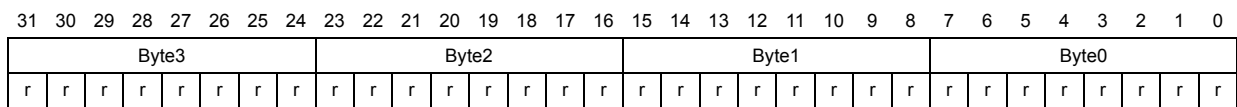
This value gives the number of pixel clocks to be captured from the starting point on the same line. It value should corresponds to word-aligned data for different widths of parallel interfaces.

- 0x0000 => 1 pixel
- 0x0001 => 2 pixels
- 0x0002 => 3 pixels
-

12.8.11 DCMI data register (DCMI_DR)

Address offset: 0x28

Reset value: 0x0000 0x0000



Bits 31:24 Data byte 3

Bits 23:16 Data byte 2

Bits 15:8 Data byte 1

Bits 7:0 Data byte 0

The digital camera Interface packages all the received data in 32-bit format before requesting a DMA transfer. A 4-word deep FIFO is available to leave enough time for DMA transfers and avoid DMA overrun conditions.

12.8.12 DCMI register map

[Table 54](#) summarizes the DCMI registers.

Table 54. DCMI register map and reset values

Offset	Register	31	30	29	28	27	26	25	24	23	22	21	20	19	18	17	16	15	14	13	12	11	10	9	8	7	6	5	4	3	2	1	0	
0x00	DCMI_CR	Reserved																		ENABLE	Reserved		EDM		FCR		VSPOL	HSPOL	PCKPOL	ESS	JPEG	CROP	CM	CAPTURE
	Reset value																			0			0	0	0	0	0	0	0	0	0	0	0	0
0x04	DCMI_SR	Reserved																								FNE	VSYNC	HSYNC						
	Reset value																									0	0	0						
0x08	DCMI_RIS	Reserved																								LINE_RIS	VSYNC_RIS	ERR_RIS	OVR_RIS	FRAME_RIS				
	Reset value																									0	0	0	0	0				



Table 54. DCMI register map and reset values (continued)

Offset	Register	31	30	29	28	27	26	25	24	23	22	21	20	19	18	17	16	15	14	13	12	11	10	9	8	7	6	5	4	3	2	1	0
0x0C	DCMI_IER	Reserved																								LINE_IE	VSYNC_IE	ERR_IE	OVR_IE	FRAME_IE			
	Reset value	0																								0	0	0	0	0			
0x10	DCMI_MIS	Reserved																								LINE_MIS	VSYNC_MIS	ERR_MIS	OVR_MIS	FRAME_MIS			
	Reset value	0																								0	0	0	0	0			
0x14	DCMI_ICR	Reserved																								LINE_ISC	VSYNC_ISC	ERR_ISC	OVR_ISC	FRAME_ISC			
	Reset value	0																								0	0	0	0	0			
0x18	DCMI_ESCR	FEC								LEC								LSC								FSC							
	Reset value	0	0	0	0	0	0	0	0	0	0	0	0	0	0	0	0	0	0	0	0	0	0	0	0	0	0	0	0	0	0	0	
0x1C	DCMI_ESUR	FEU								LEU								LSU								FSU							
	Reset value	0	0	0	0	0	0	0	0	0	0	0	0	0	0	0	0	0	0	0	0	0	0	0	0	0	0	0	0	0	0	0	
0x20	DCMI_CWSTR T	Reserved	VST[12:0]										Reserved	HOFFCNT[13:0]																			
	Reset value		0	0	0	0	0	0	0	0	0	0		0	0	0	0	0	0	0	0	0	0	0	0	0	0	0	0	0	0	0	
0x24	DCMI_CWSIZ E	Reserved	VLINE[13:0]										Reserved	CAPCNT[13:0]																			
	Reset value		0	0	0	0	0	0	0	0	0	0		0	0	0	0	0	0	0	0	0	0	0	0	0	0	0	0	0	0	0	
0x28	DCMI_DR	Byte3								Byte2								Byte1								Byte0							
	Reset value	0	0	0	0	0	0	0	0	0	0	0	0	0	0	0	0	0	0	0	0	0	0	0	0	0	0	0	0	0	0	0	

Refer to [Section 2.3: Memory map](#) for the register boundary addresses.

13 Advanced-control timers (TIM1 and TIM8)

This section applies to the whole STM32F20x and STM32F21x family, unless otherwise specified.

13.1 TIM1 and TIM8 introduction

The advanced-control timers (TIM1 and TIM8) consist of a 16-bit auto-reload counter driven by a programmable prescaler.

It may be used for a variety of purposes, including measuring the pulse lengths of input signals (input capture) or generating output waveforms (output compare, PWM, complementary PWM with dead-time insertion).

Pulse lengths and waveform periods can be modulated from a few microseconds to several milliseconds using the timer prescaler and the RCC clock controller prescalers.

The advanced-control (TIM1 and TIM8) and general-purpose (TIMx) timers are completely independent, and do not share any resources. They can be synchronized together as described in [Section 13.3.20](#).

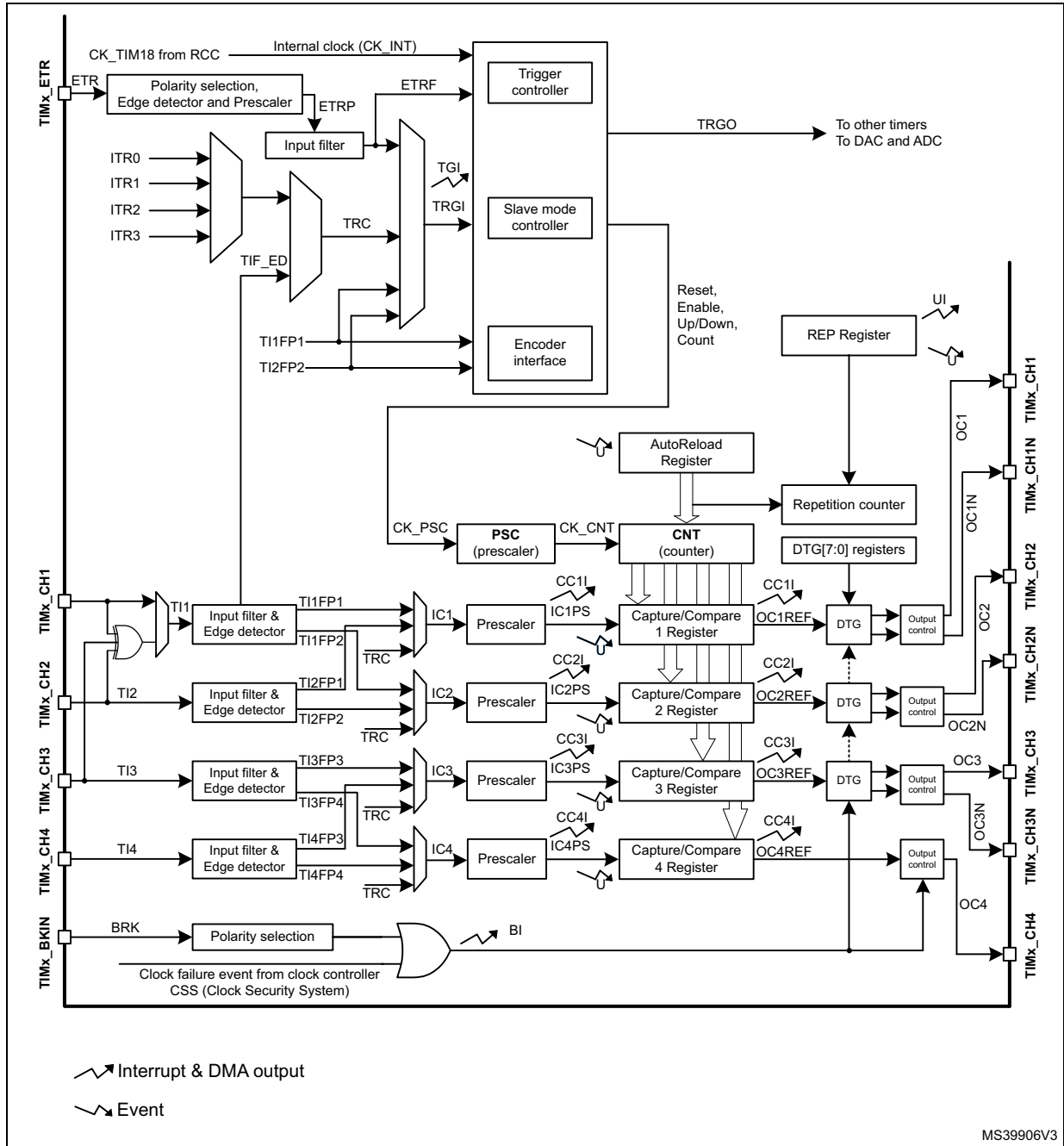
13.2 TIM1 and TIM8 main features

TIM1 and TIM8 timer features include:

- 16-bit up, down, up/down auto-reload counter.
- 16-bit programmable prescaler allowing dividing (also “on the fly”) the counter clock frequency either by any factor between 1 and 65536.
- Up to 4 independent channels for:
 - Input capture
 - Output compare
 - PWM generation (Edge and Center-aligned mode)
 - One-pulse mode output
- Complementary outputs with programmable dead-time
- Synchronization circuit to control the timer with external signals and to interconnect several timers together.
- Repetition counter to update the timer registers only after a given number of cycles of the counter.
- Break input to put the timer’s output signals in reset state or in a known state.
- Interrupt/DMA generation on the following events:
 - Update: counter overflow/underflow, counter initialization (by software or internal/external trigger)
 - Trigger event (counter start, stop, initialization or count by internal/external trigger)
 - Input capture
 - Output compare

- Break input
- Supports incremental (quadrature) encoder and hall-sensor circuitry for positioning purposes
- Trigger input for external clock or cycle-by-cycle current management

Figure 65. Advanced-control timer block diagram



13.3 TIM1 and TIM8 functional description

13.3.1 Time-base unit

The main block of the programmable advanced-control timer is a 16-bit counter with its related auto-reload register. The counter can count up, down or both up and down. The counter clock can be divided by a prescaler.

The counter, the auto-reload register and the prescaler register can be written or read by software. This is true even when the counter is running.

The time-base unit includes:

- Counter register (TIMx_CNT)
- Prescaler register (TIMx_PSC)
- Auto-reload register (TIMx_ARR)
- Repetition counter register (TIMx_RCR)

The auto-reload register is preloaded. Writing to or reading from the auto-reload register accesses the preload register. The content of the preload register are transferred into the shadow register permanently or at each update event (UEV), depending on the auto-reload preload enable bit (ARPE) in TIMx_CR1 register. The update event is sent when the counter reaches the overflow (or underflow when downcounting) and if the UDIS bit equals 0 in the TIMx_CR1 register. It can also be generated by software. The generation of the update event is described in detailed for each configuration.

The counter is clocked by the prescaler output CK_CNT, which is enabled only when the counter enable bit (CEN) in TIMx_CR1 register is set (refer also to the slave mode controller description to get more details on counter enabling).

Note that the counter starts counting 1 clock cycle after setting the CEN bit in the TIMx_CR1 register.

Prescaler description

The prescaler can divide the counter clock frequency by any factor between 1 and 65536. It is based on a 16-bit counter controlled through a 16-bit register (in the TIMx_PSC register). It can be changed on the fly as this control register is buffered. The new prescaler ratio is taken into account at the next update event.

Figure 66 and *Figure 67* give some examples of the counter behavior when the prescaler ratio is changed on the fly:

Figure 66. Counter timing diagram with prescaler division change from 1 to 2

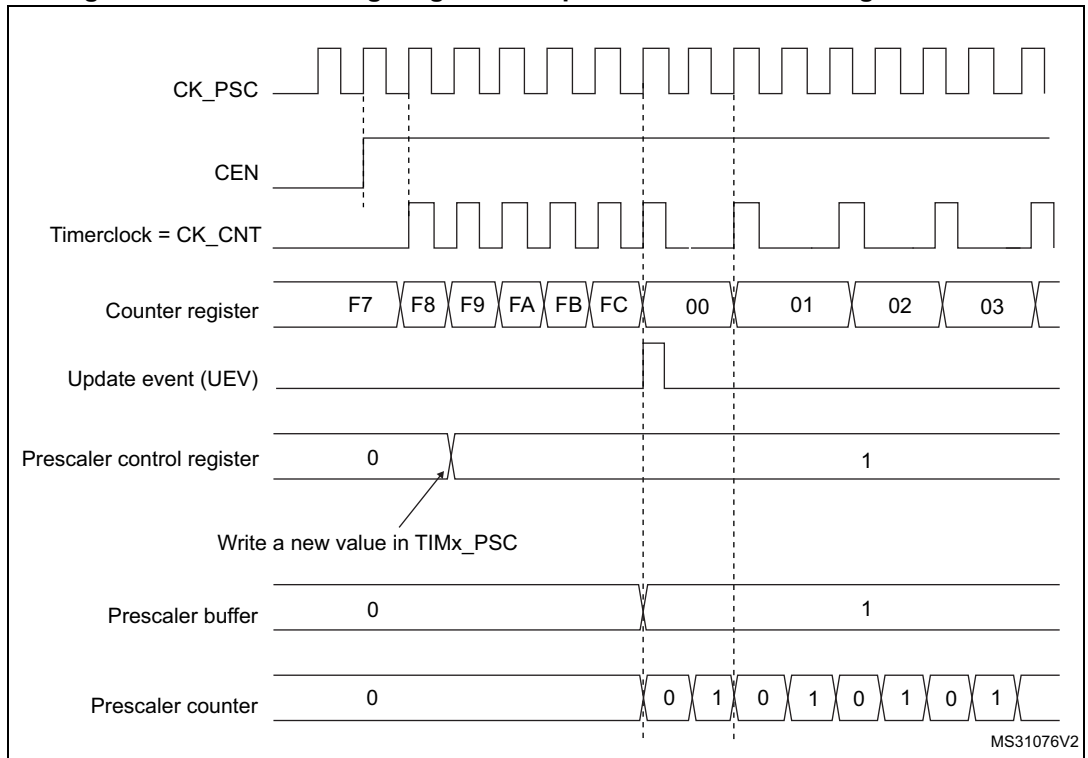
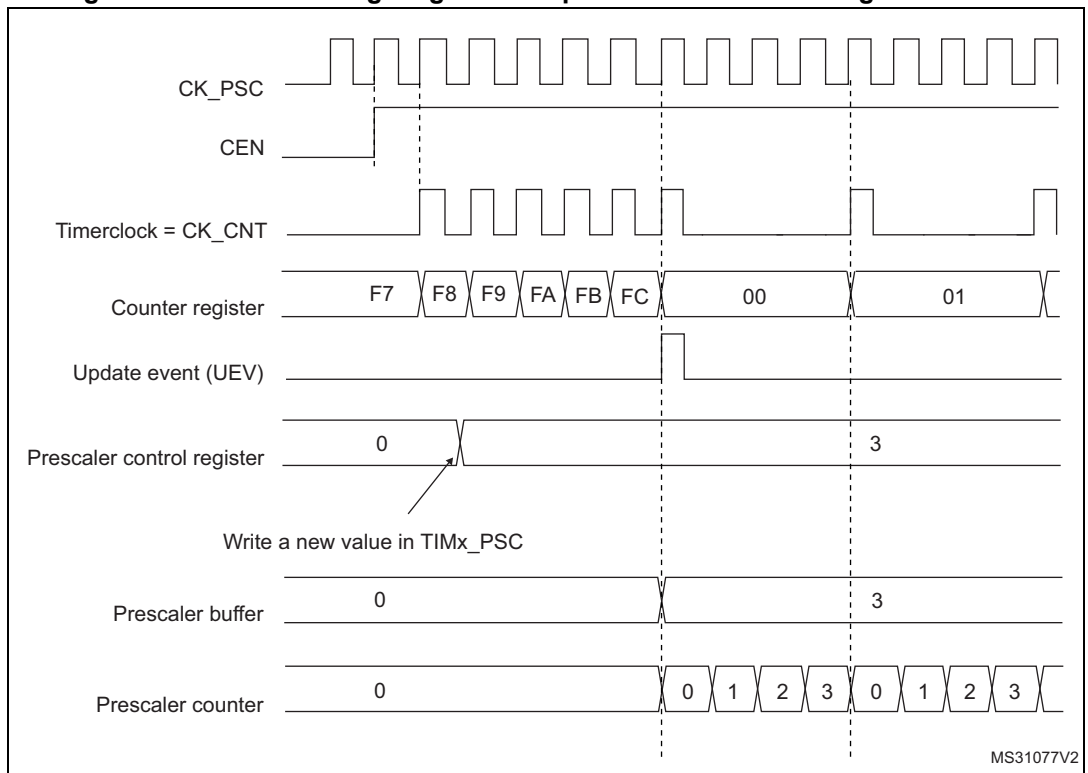


Figure 67. Counter timing diagram with prescaler division change from 1 to 4



13.3.2 Counter modes

Upcounting mode

In upcounting mode, the counter counts from 0 to the auto-reload value (content of the TIMx_ARR register), then restarts from 0 and generates a counter overflow event.

If the repetition counter is used, the update event (UEV) is generated after upcounting is repeated for the number of times programmed in the repetition counter register plus one (TIMx_RCR+1). Else the update event is generated at each counter overflow.

Setting the UG bit in the TIMx_EGR register (by software or by using the slave mode controller) also generates an update event.

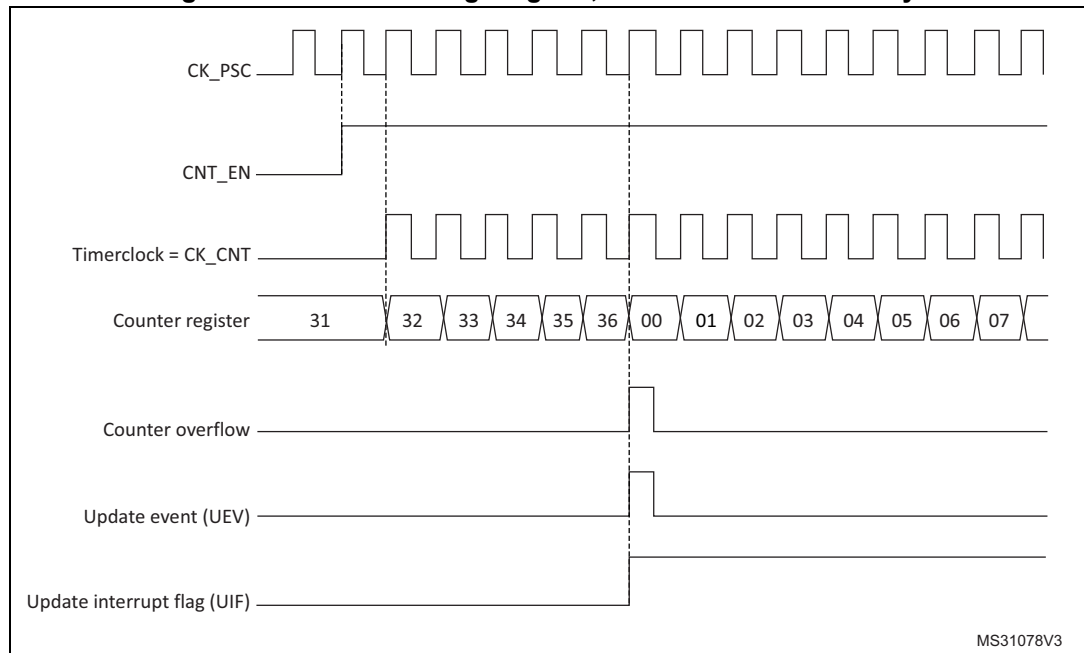
The UEV event can be disabled by software by setting the UDIS bit in the TIMx_CR1 register. This is to avoid updating the shadow registers while writing new values in the preload registers. Then no update event occurs until the UDIS bit has been written to 0. However, the counter restarts from 0, as well as the counter of the prescaler (but the prescale rate does not change). In addition, if the URS bit (update request selection) in TIMx_CR1 register is set, setting the UG bit generates an update event UEV but without setting the UIF flag (thus no interrupt or DMA request is sent). This is to avoid generating both update and capture interrupts when clearing the counter on the capture event.

When an update event occurs, all the registers are updated and the update flag (UIF bit in TIMx_SR register) is set (depending on the URS bit):

- The repetition counter is reloaded with the content of TIMx_RCR register,
- The auto-reload shadow register is updated with the preload value (TIMx_ARR),
- The buffer of the prescaler is reloaded with the preload value (content of the TIMx_PSC register).

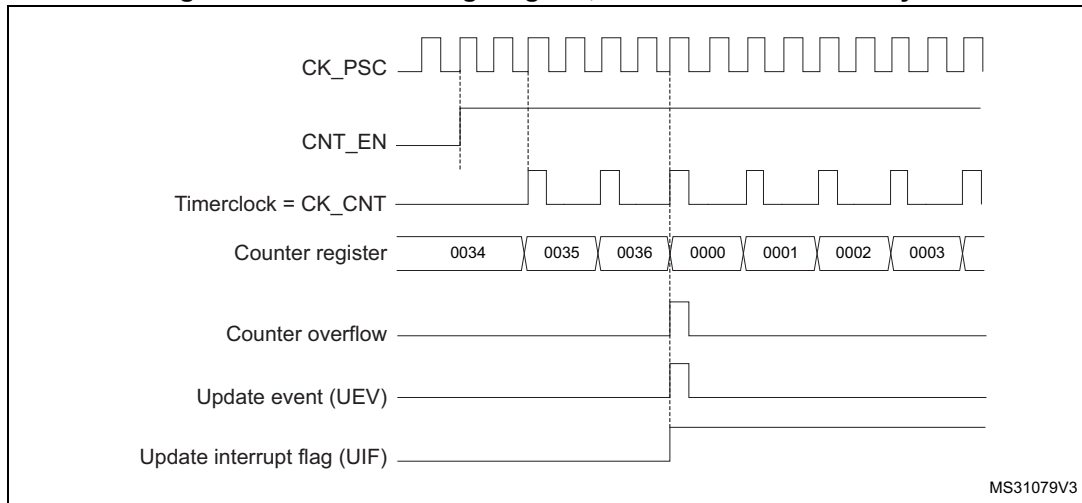
The following figures show some examples of the counter behavior for different clock frequencies when TIMx_ARR=0x36.

Figure 68. Counter timing diagram, internal clock divided by 1



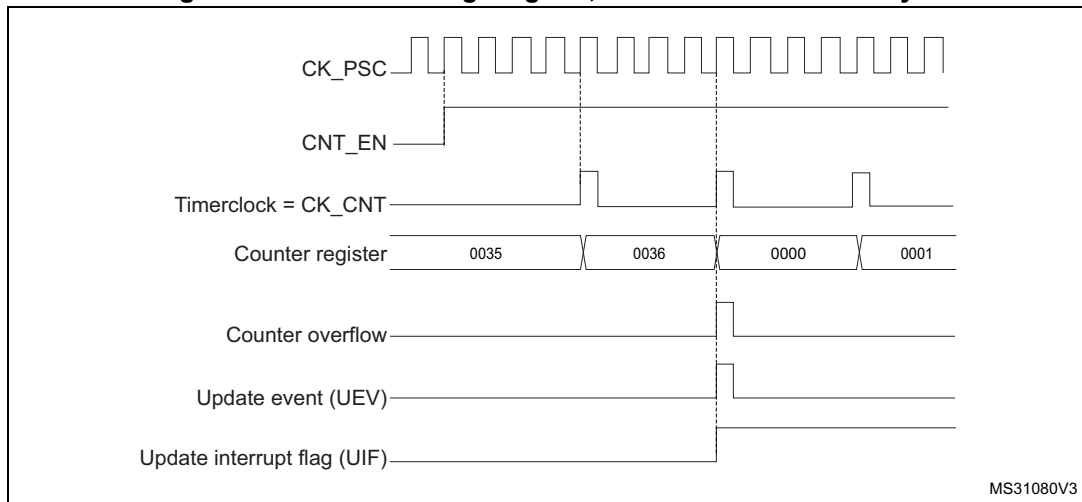
MS31078V3

Figure 69. Counter timing diagram, internal clock divided by 2



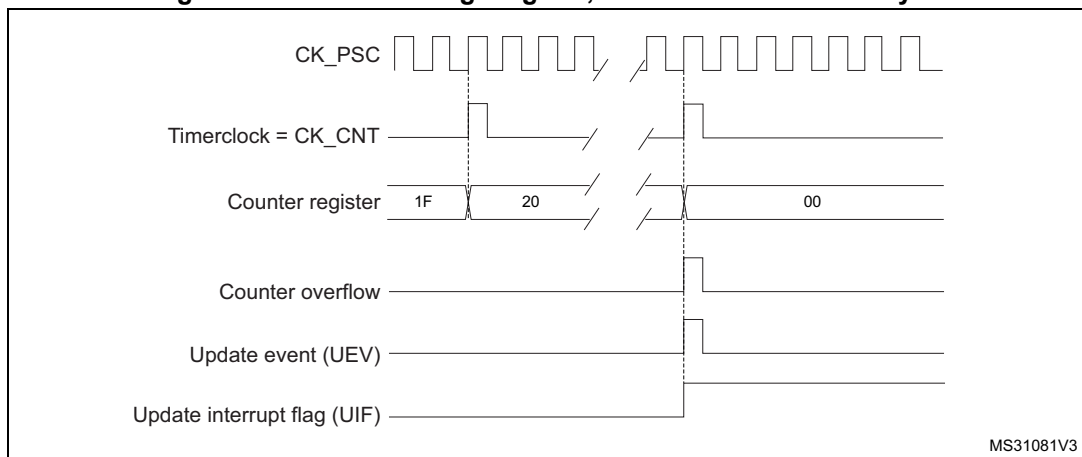
MS31079V3

Figure 70. Counter timing diagram, internal clock divided by 4



MS31080V3

Figure 71. Counter timing diagram, internal clock divided by N



MS31081V3

Figure 72. Counter timing diagram, update event when ARPE=0 (TIMx_ARR not preloaded)

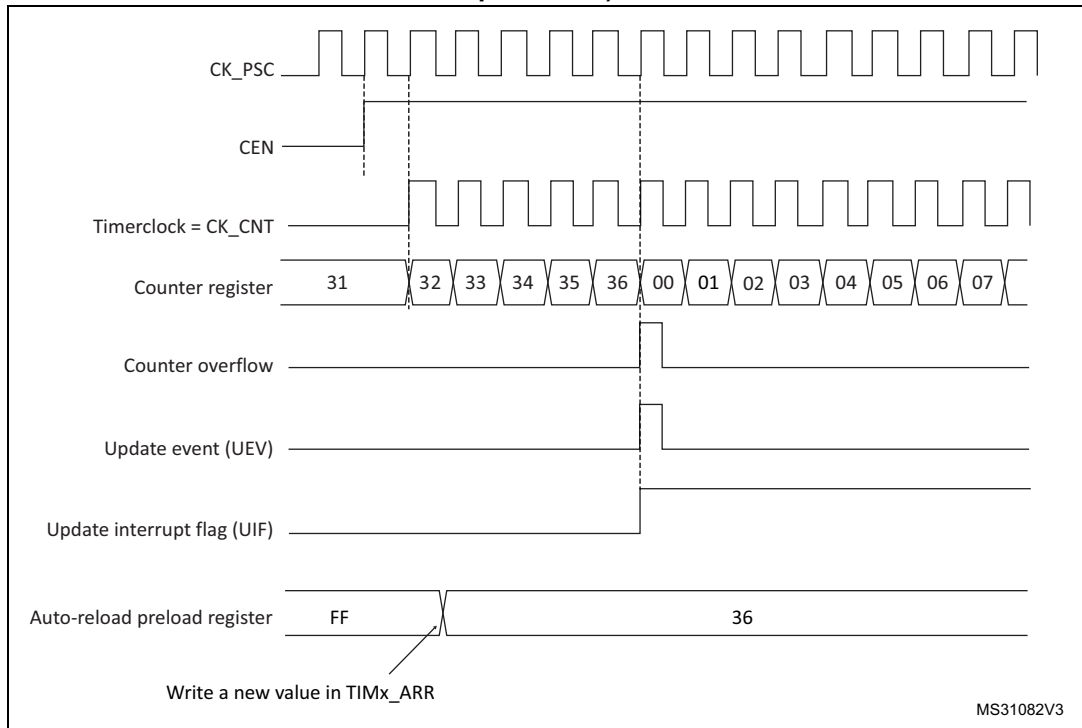
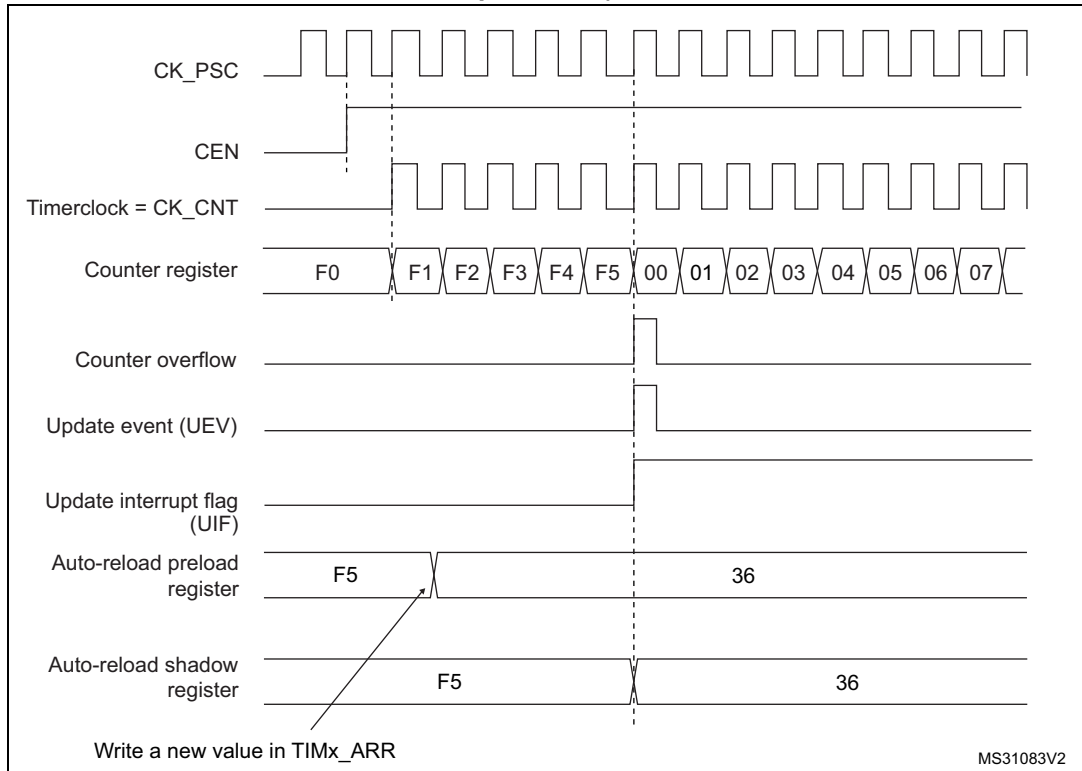


Figure 73. Counter timing diagram, update event when ARPE=1 (TIMx_ARR preloaded)



Downcounting mode

In downcounting mode, the counter counts from the auto-reload value (content of the TIMx_ARR register) down to 0, then restarts from the auto-reload value and generates a counter underflow event.

If the repetition counter is used, the update event (UEV) is generated after downcounting is repeated for the number of times programmed in the repetition counter register plus one (TIMx_RCR+1). Else the update event is generated at each counter underflow.

Setting the UG bit in the TIMx_EGR register (by software or by using the slave mode controller) also generates an update event.

The UEV update event can be disabled by software by setting the UDIS bit in TIMx_CR1 register. This is to avoid updating the shadow registers while writing new values in the preload registers. Then no update event occurs until UDIS bit has been written to 0. However, the counter restarts from the current auto-reload value, whereas the counter of the prescaler restarts from 0 (but the prescale rate doesn't change).

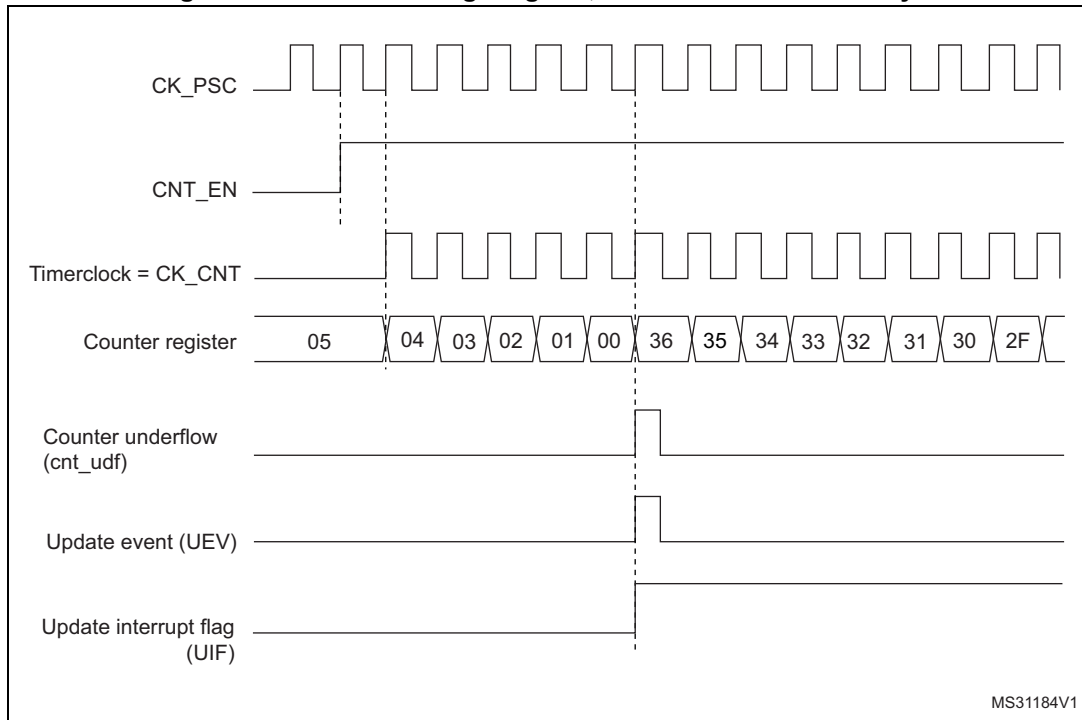
In addition, if the URS bit (update request selection) in TIMx_CR1 register is set, setting the UG bit generates an update event UEV but without setting the UIF flag (thus no interrupt or DMA request is sent). This is to avoid generating both update and capture interrupts when clearing the counter on the capture event.

When an update event occurs, all the registers are updated and the update flag (UIF bit in TIMx_SR register) is set (depending on the URS bit):

- The repetition counter is reloaded with the content of TIMx_RCR register
- The buffer of the prescaler is reloaded with the preload value (content of the TIMx_PSC register)
- The auto-reload active register is updated with the preload value (content of the TIMx_ARR register). Note that the auto-reload is updated before the counter is reloaded, so that the next period is the expected one

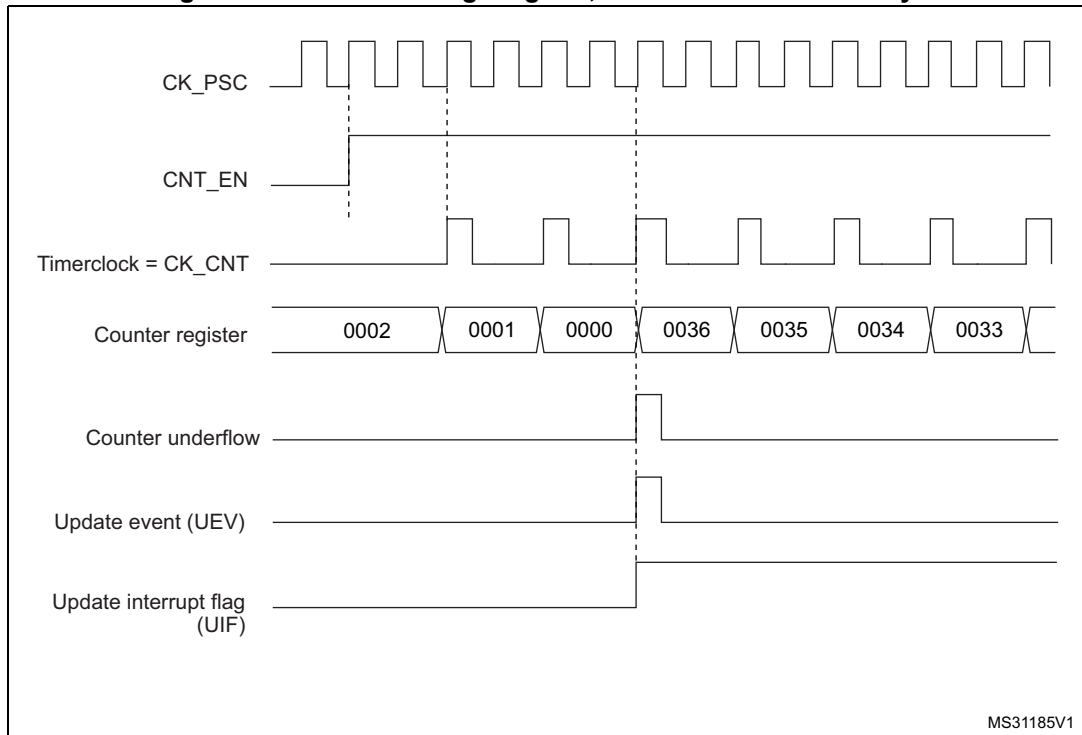
The following figures show some examples of the counter behavior for different clock frequencies when TIMx_ARR=0x36.

Figure 74. Counter timing diagram, internal clock divided by 1



MS31184V1

Figure 75. Counter timing diagram, internal clock divided by 2



MS31185V1

Figure 76. Counter timing diagram, internal clock divided by 4

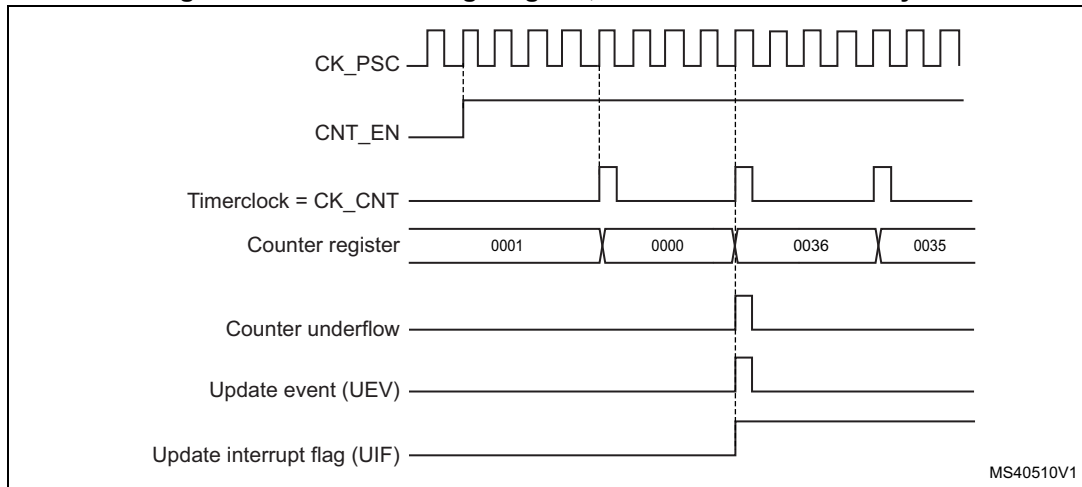


Figure 77. Counter timing diagram, internal clock divided by N

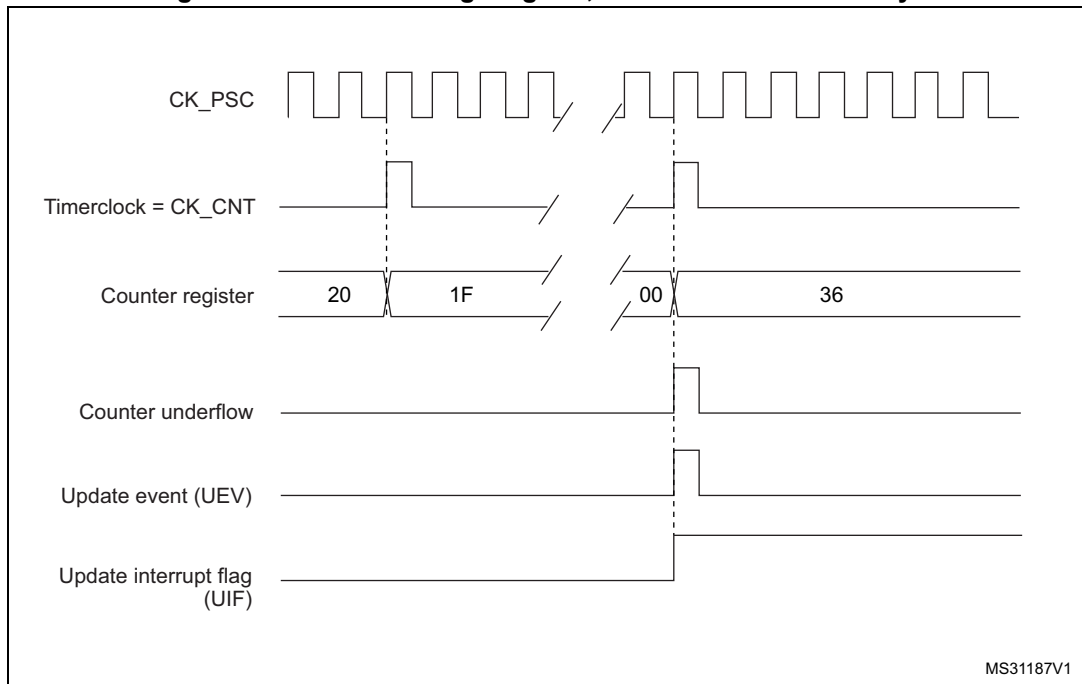
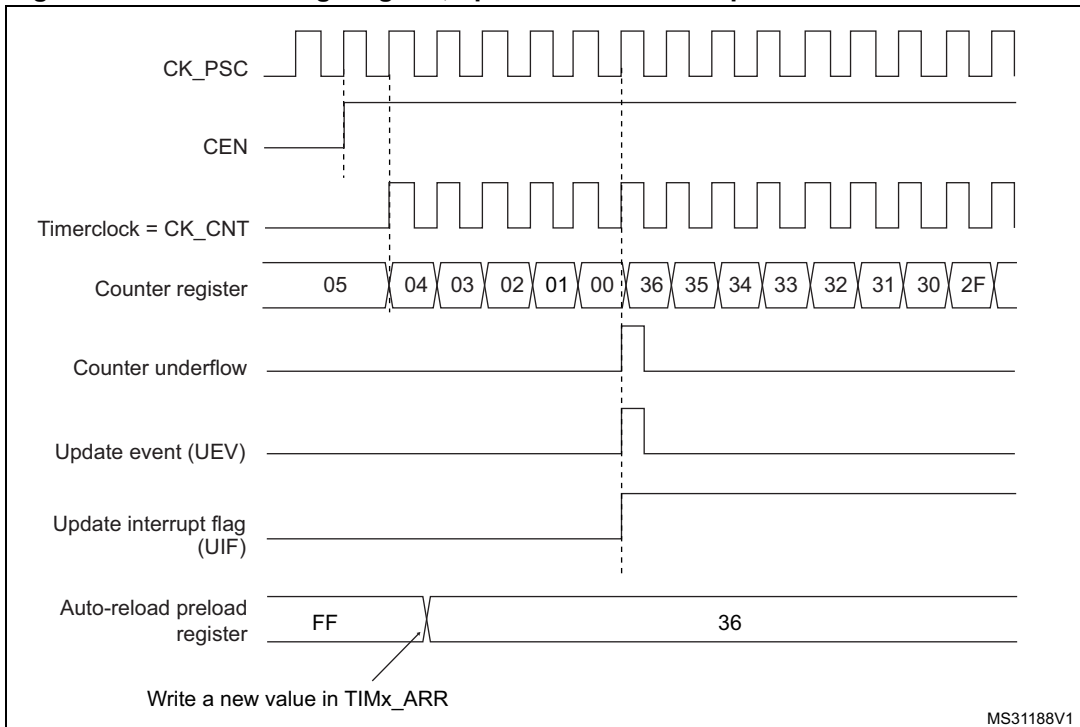


Figure 78. Counter timing diagram, update event when repetition counter is not used



Center-aligned mode (up/down counting)

In center-aligned mode, the counter counts from 0 to the auto-reload value (content of the TIMx_ARR register) – 1, generates a counter overflow event, then counts from the auto-reload value down to 1 and generates a counter underflow event. Then it restarts counting from 0.

Center-aligned mode is active when the CMS bits in TIMx_CR1 register are not equal to '00'. The Output compare interrupt flag of channels configured in output is set when: the counter counts down (Center aligned mode 1, CMS = "01"), the counter counts up (Center aligned mode 2, CMS = "10") the counter counts up and down (Center aligned mode 3, CMS = "11").

In this mode, the DIR direction bit in the TIMx_CR1 register cannot be written. It is updated by hardware and gives the current direction of the counter.

The update event can be generated at each counter overflow and at each counter underflow or by setting the UG bit in the TIMx_EGR register (by software or by using the slave mode controller) also generates an update event. In this case, the counter restarts counting from 0, as well as the counter of the prescaler.

The UEV update event can be disabled by software by setting the UDIS bit in the TIMx_CR1 register. This is to avoid updating the shadow registers while writing new values in the preload registers. Then no update event occurs until UDIS bit has been written to 0. However, the counter continues counting up and down, based on the current auto-reload value.

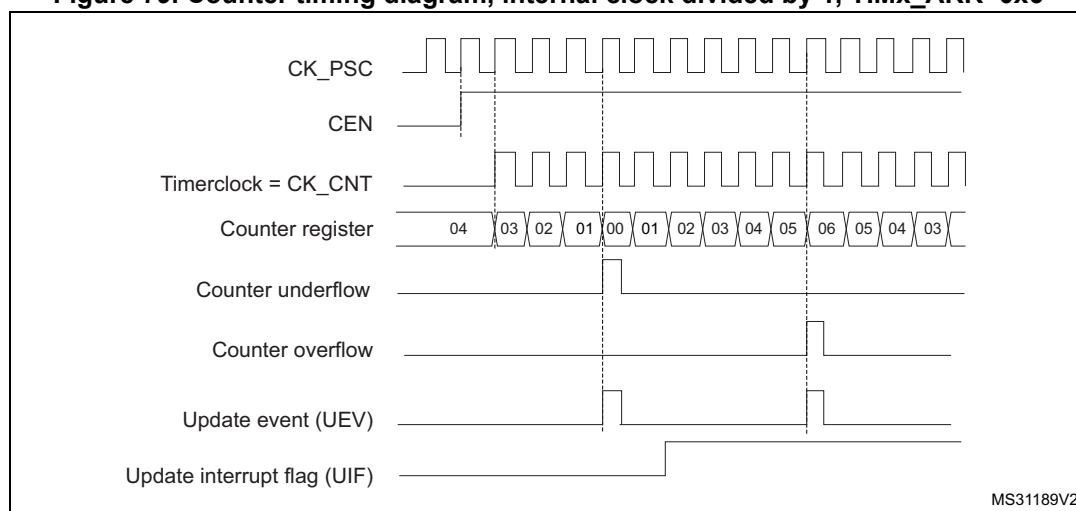
In addition, if the URS bit (update request selection) in TIMx_CR1 register is set, setting the UG bit generates an UEV update event but without setting the UIF flag (thus no interrupt or DMA request is sent). This is to avoid generating both update and capture interrupts when clearing the counter on the capture event.

When an update event occurs, all the registers are updated and the update flag (UIF bit in TIMx_SR register) is set (depending on the URS bit):

- The repetition counter is reloaded with the content of TIMx_RCR register
- The buffer of the prescaler is reloaded with the preload value (content of the TIMx_PSC register)
- The auto-reload active register is updated with the preload value (content of the TIMx_ARR register). Note that if the update source is a counter overflow, the auto-reload is updated before the counter is reloaded, so that the next period is the expected one (the counter is loaded with the new value).

The following figures show some examples of the counter behavior for different clock frequencies.

Figure 79. Counter timing diagram, internal clock divided by 1, TIMx_ARR=0x6



1. Here, center-aligned mode 1 is used (for more details refer to [Section 13.4: TIM1 and TIM8 registers](#)).

Figure 80. Counter timing diagram, internal clock divided by 2

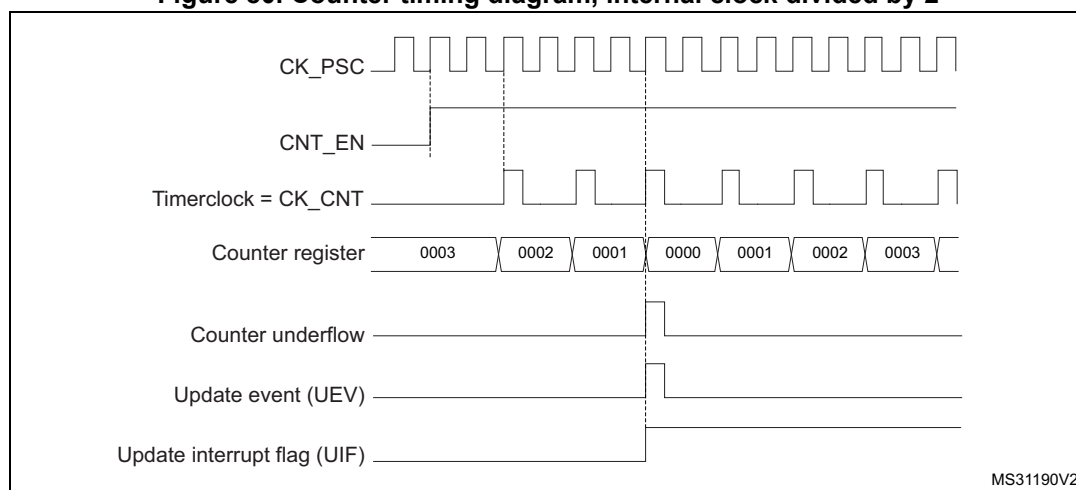
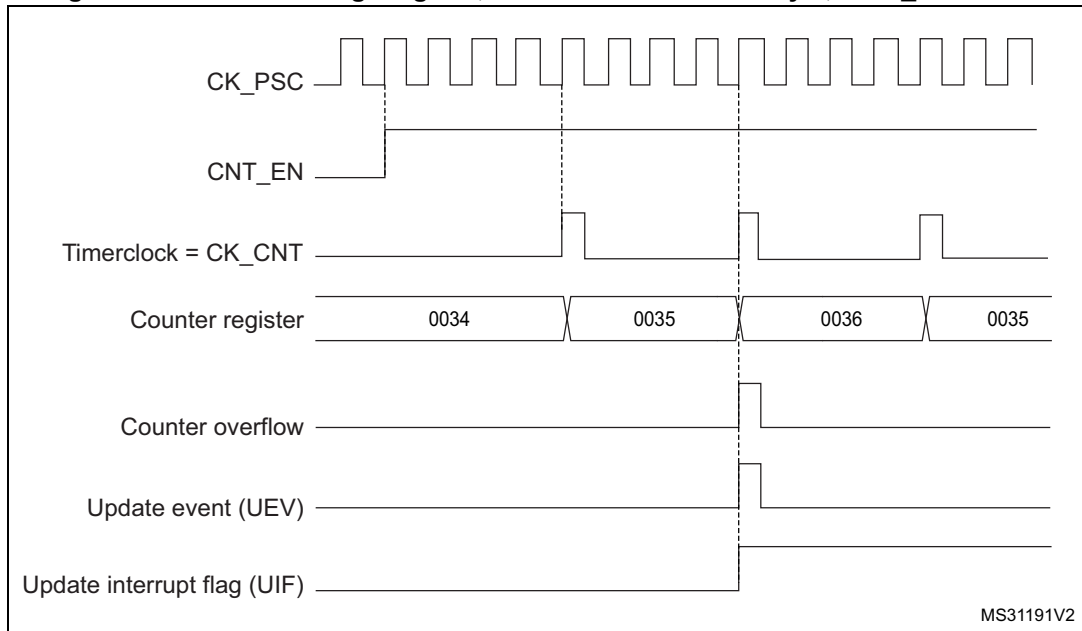


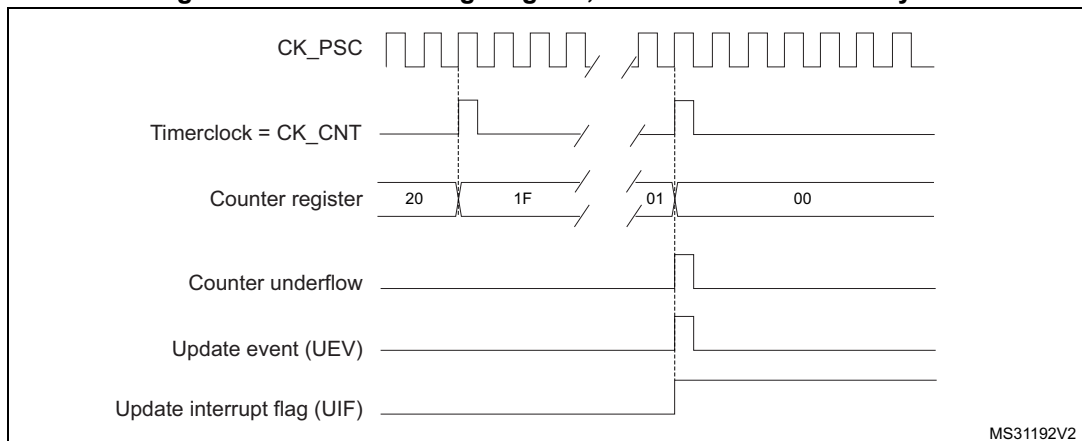
Figure 81. Counter timing diagram, internal clock divided by 4, TIMx_ARR=0x36



MS31191V2

1. Center-aligned mode 2 or 3 is used with an UIF on overflow.

Figure 82. Counter timing diagram, internal clock divided by N



MS31192V2

Figure 83. Counter timing diagram, update event with ARPE=1 (counter underflow)

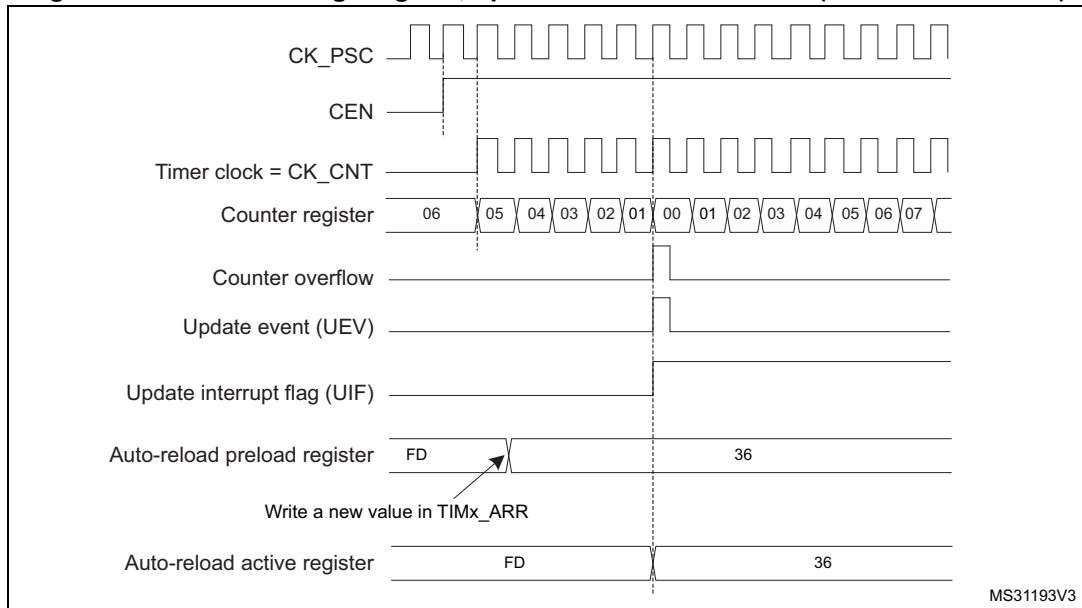
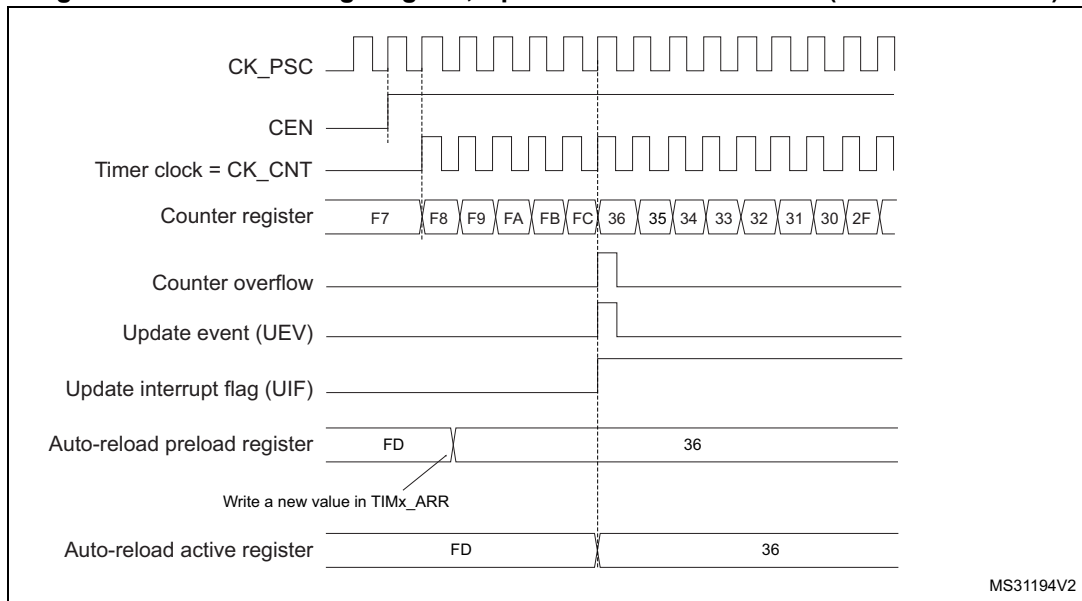


Figure 84. Counter timing diagram, Update event with ARPE=1 (counter overflow)



13.3.3 Repetition counter

[Section 13.3.1](#) describes how the update event (UEV) is generated with respect to the counter overflows/underflows. It is actually generated only when the repetition counter has reached zero. This can be useful when generating PWM signals.

This means that data are transferred from the preload registers to the shadow registers (TIMx_ARR auto-reload register, TIMx_PSC prescaler register, but also TIMx_CCRx capture/compare registers in compare mode) every N+1 counter overflows or underflows, where N is the value in the TIMx_RCR repetition counter register.

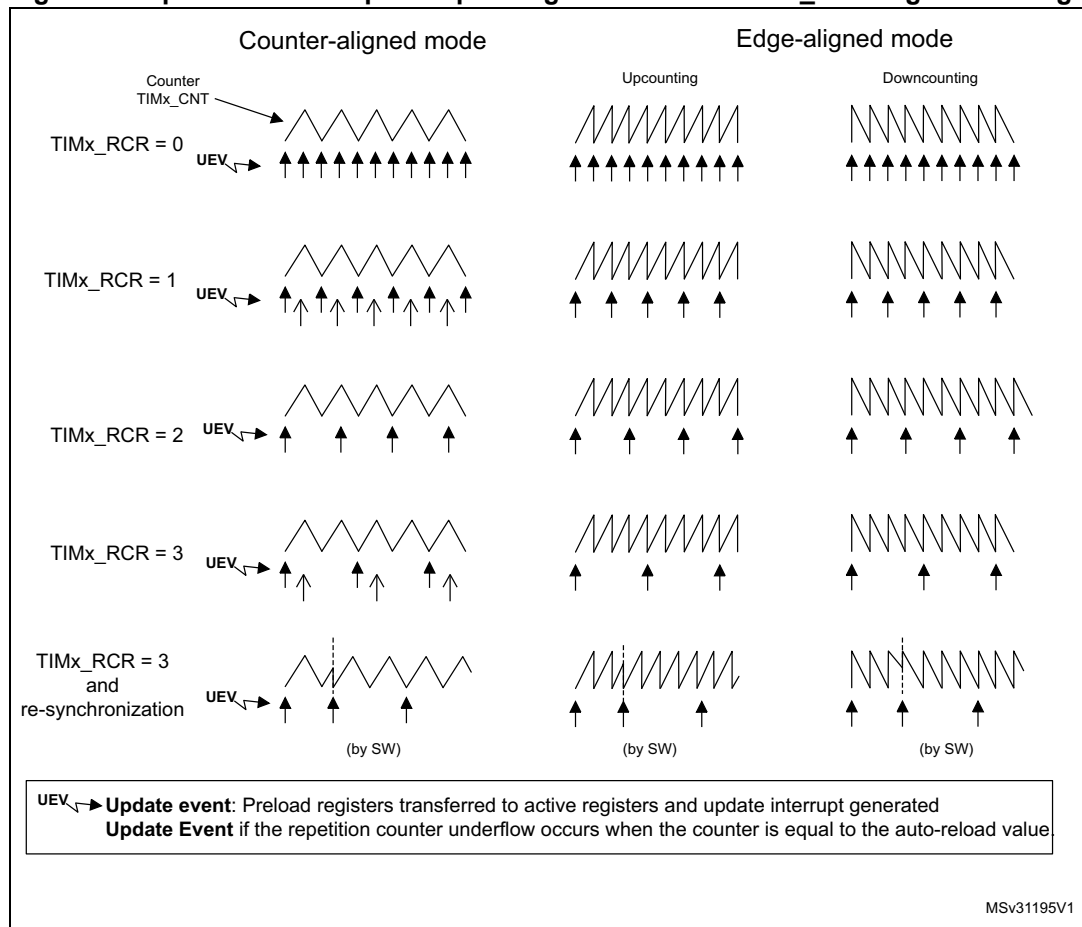
The repetition counter is decremented:

- At each counter overflow in upcounting mode,
- At each counter underflow in downcounting mode,
- At each counter overflow and at each counter underflow in center-aligned mode.
 Although this limits the maximum number of repetition to 128 PWM cycles, it makes it possible to update the duty cycle twice per PWM period. When refreshing compare registers only once per PWM period in center-aligned mode, maximum resolution is $2xT_{ck}$, due to the symmetry of the pattern.

The repetition counter is an auto-reload type; the repetition rate is maintained as defined by the TIMx_RCR register value (refer to [Figure 85](#)). When the update event is generated by software (by setting the UG bit in TIMx_EGR register) or by hardware through the slave mode controller, it occurs immediately whatever the value of the repetition counter is and the repetition counter is reloaded with the content of the TIMx_RCR register.

In center-aligned mode, for odd values of RCR, the update event occurs either on the overflow or on the underflow depending on when the RCR register was written and when the counter was started. If the RCR was written before starting the counter, the UEV occurs on the overflow. If the RCR was written after starting the counter, the UEV occurs on the underflow. For example for RCR = 3, the UEV is generated on each 4th overflow or underflow event depending on when RCR was written.

Figure 85. Update rate examples depending on mode and TIMx_RCR register settings



13.3.4 Clock selection

The counter clock can be provided by the following clock sources:

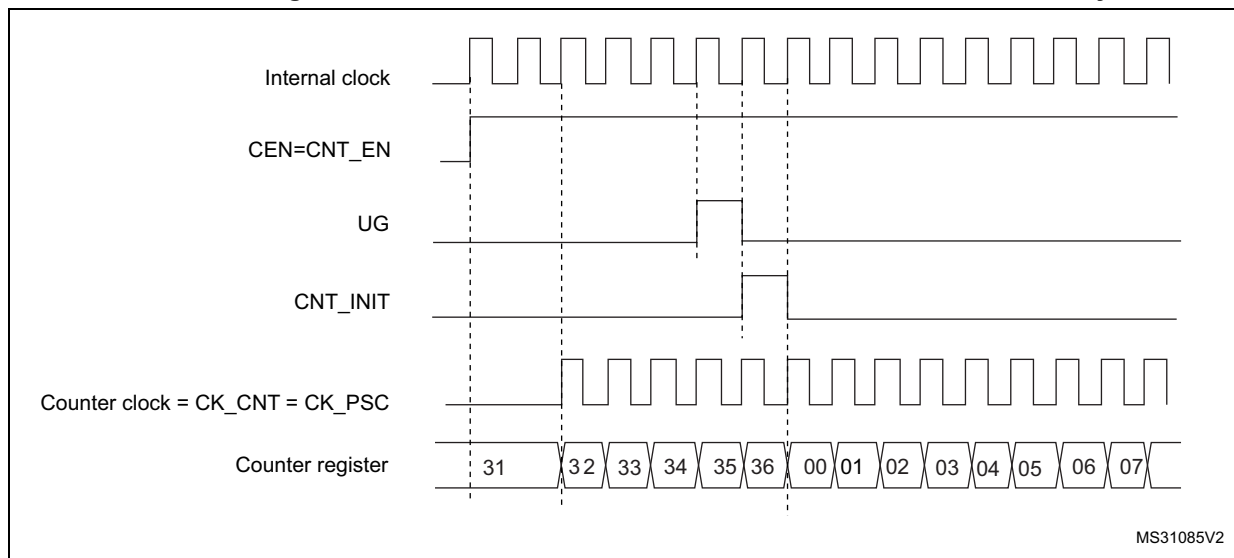
- Internal clock (CK_INT)
- External clock mode1: external input pin
- External clock mode2: external trigger input ETR
- Internal trigger inputs (ITRx): using one timer as prescaler for another timer, for example, the user can configure Timer 1 to act as a prescaler for Timer 2. Refer to [Using one timer as prescaler for another timer](#) for more details.

Internal clock source (CK_INT)

If the slave mode controller is disabled (SMS=000), then the CEN, DIR (in the TIMx_CR1 register) and UG bits (in the TIMx_EGR register) are actual control bits and can be changed only by software (except UG which remains cleared automatically). As soon as the CEN bit is written to 1, the prescaler is clocked by the internal clock CK_INT.

[Figure 86](#) shows the behavior of the control circuit and the upcounter in normal mode, without prescaler.

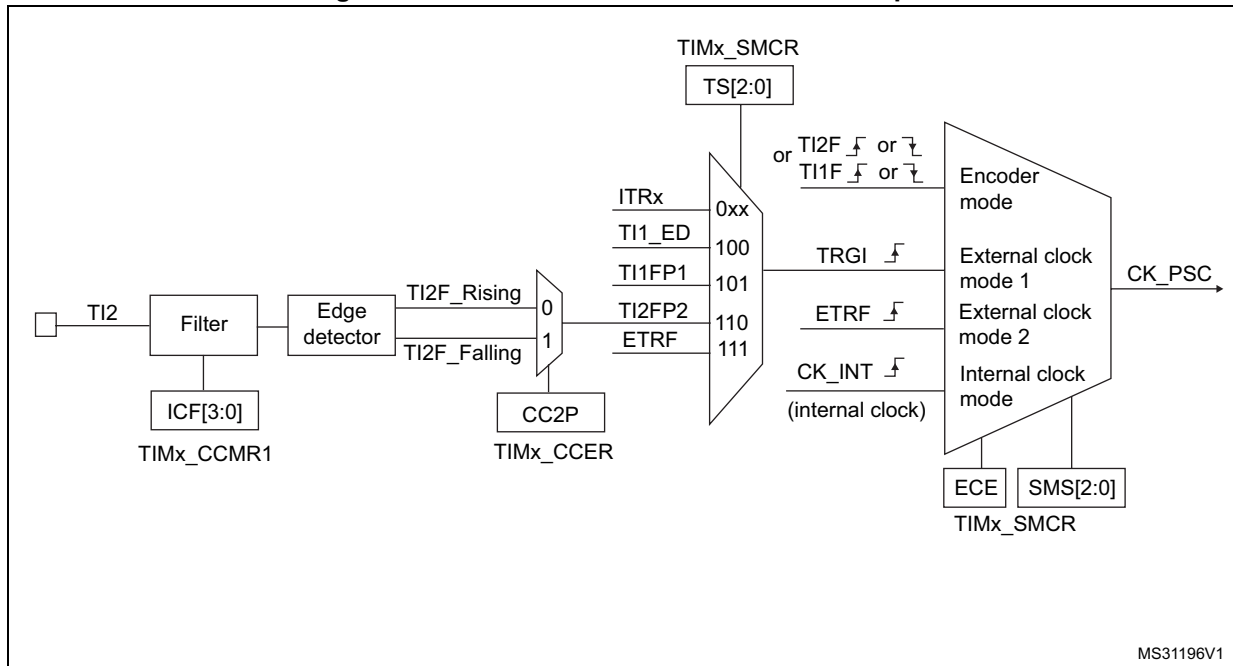
Figure 86. Control circuit in normal mode, internal clock divided by 1



External clock source mode 1

This mode is selected when SMS=111 in the TIMx_SMCR register. The counter can count at each rising or falling edge on a selected input.

Figure 87. TI2 external clock connection example



For example, to configure the upcounter to count in response to a rising edge on the TI2 input, use the following procedure:

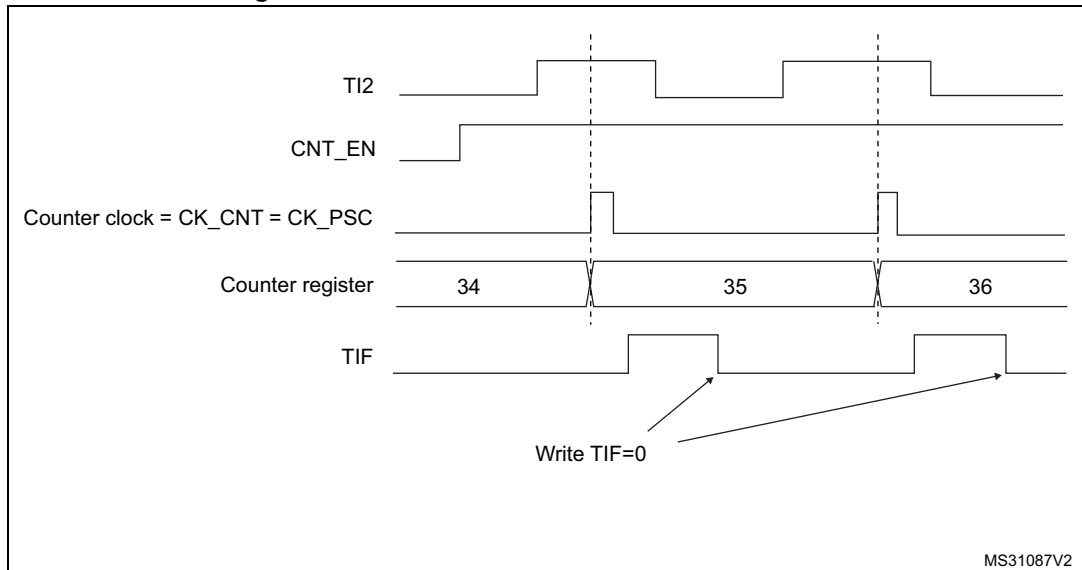
1. Configure channel 2 to detect rising edges on the TI2 input by writing CC2S = '01' in the TIMx_CCMR1 register.
2. Configure the input filter duration by writing the IC2F[3:0] bits in the TIMx_CCMR1 register (if no filter is needed, keep IC2F=0000).
3. Select rising edge polarity by writing CC2P=0 and CC2NP=0 in the TIMx_CCER register.
4. Configure the timer in external clock mode 1 by writing SMS=111 in the TIMx_SMCR register.
5. Select TI2 as the trigger input source by writing TS=110 in the TIMx_SMCR register.
6. Enable the counter by writing CEN=1 in the TIMx_CR1 register.

Note: The capture prescaler is not used for triggering, so the user does not need to configure it.

When a rising edge occurs on TI2, the counter counts once and the TIF flag is set.

The delay between the rising edge on TI2 and the actual clock of the counter is due to the resynchronization circuit on TI2 input.

Figure 88. Control circuit in external clock mode 1



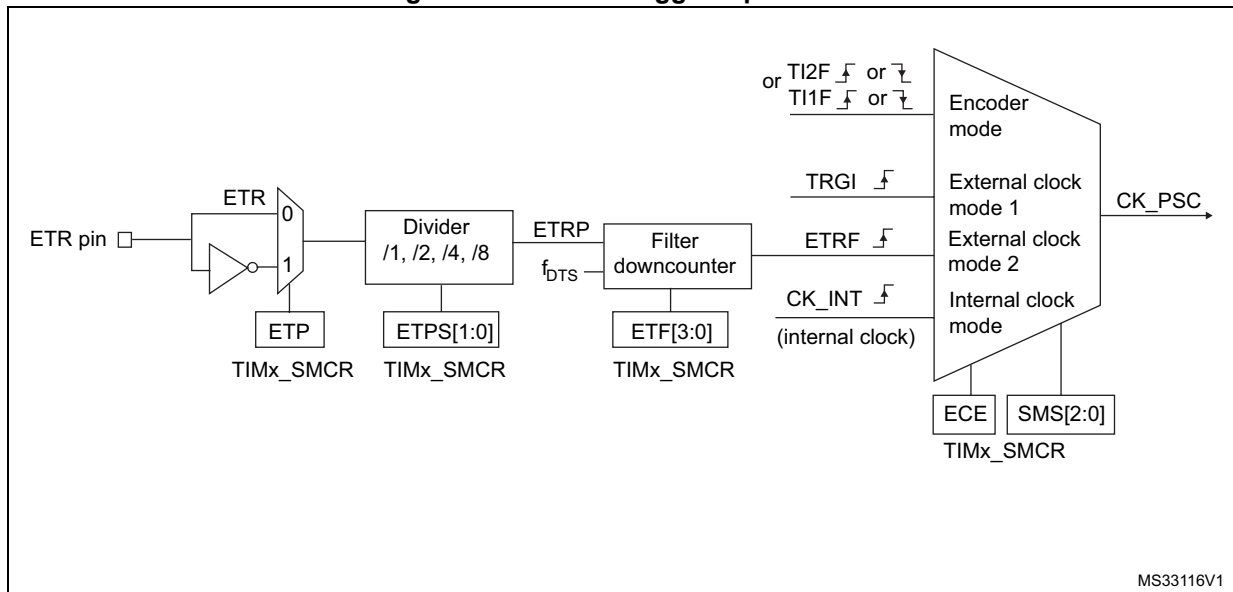
External clock source mode 2

This mode is selected by writing ECE=1 in the TIMx_SMCR register.

The counter can count at each rising or falling edge on the external trigger input ETR.

Figure 89 gives an overview of the external trigger input block.

Figure 89. External trigger input block



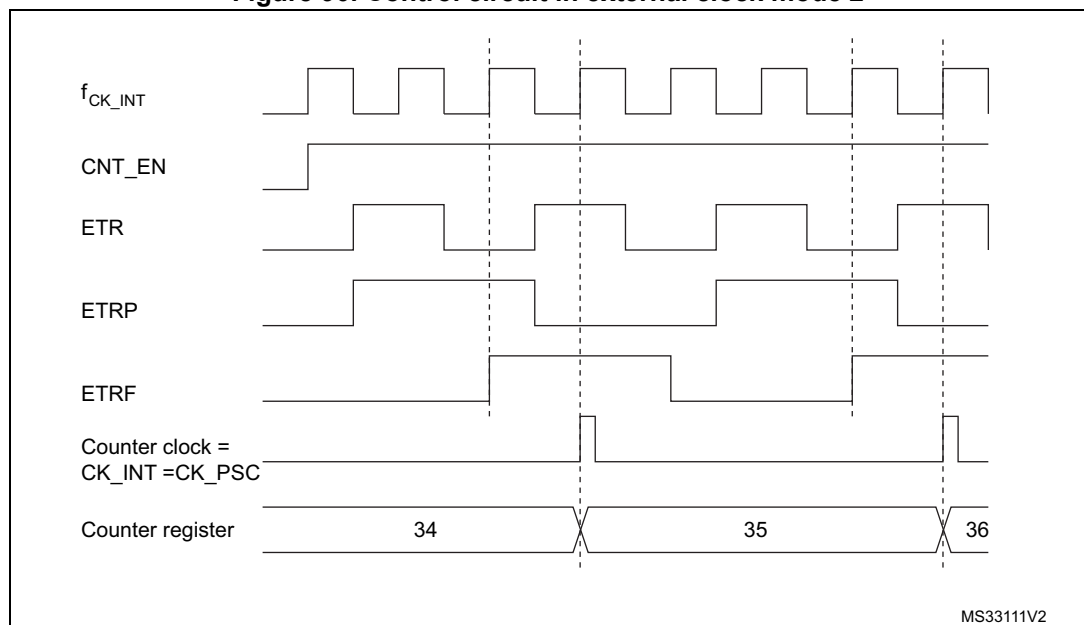
For example, to configure the upcounter to count each 2 rising edges on ETR, use the following procedure:

1. As no filter is needed in this example, write ETF[3:0]=0000 in the TIMx_SMCR register.
2. Set the prescaler by writing ETPS[1:0]=01 in the TIMx_SMCR register
3. Select rising edge detection on the ETR pin by writing ETP=0 in the TIMx_SMCR register
4. Enable external clock mode 2 by writing ECE=1 in the TIMx_SMCR register.
5. Enable the counter by writing CEN=1 in the TIMx_CR1 register.

The counter counts once each 2 ETR rising edges.

The delay between the rising edge on ETR and the actual clock of the counter is due to the resynchronization circuit on the ETRP signal.

Figure 90. Control circuit in external clock mode 2



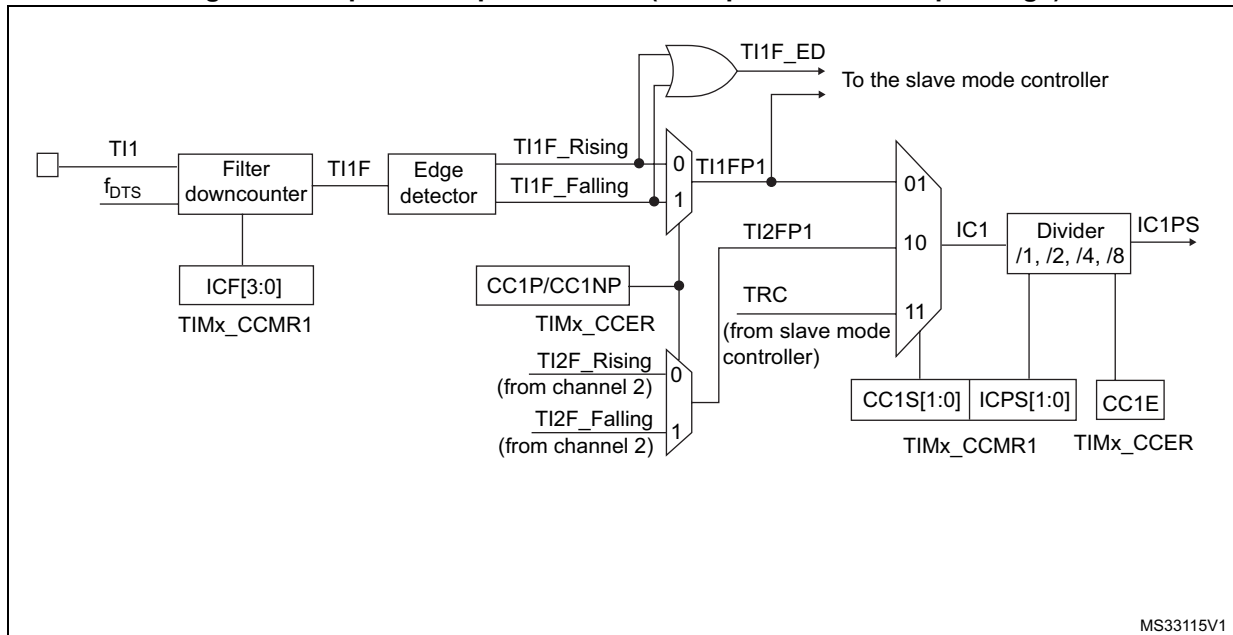
13.3.5 Capture/compare channels

Each Capture/Compare channel is built around a capture/compare register (including a shadow register), a input stage for capture (with digital filter, multiplexing and prescaler) and an output stage (with comparator and output control).

[Figure 91](#) to [Figure 94](#) give an overview of one Capture/Compare channel.

The input stage samples the corresponding Tlx input to generate a filtered signal TlxF. Then, an edge detector with polarity selection generates a signal (TlxFPx) which can be used as trigger input by the slave mode controller or as the capture command. It is prescaled before the capture register (ICxPS).

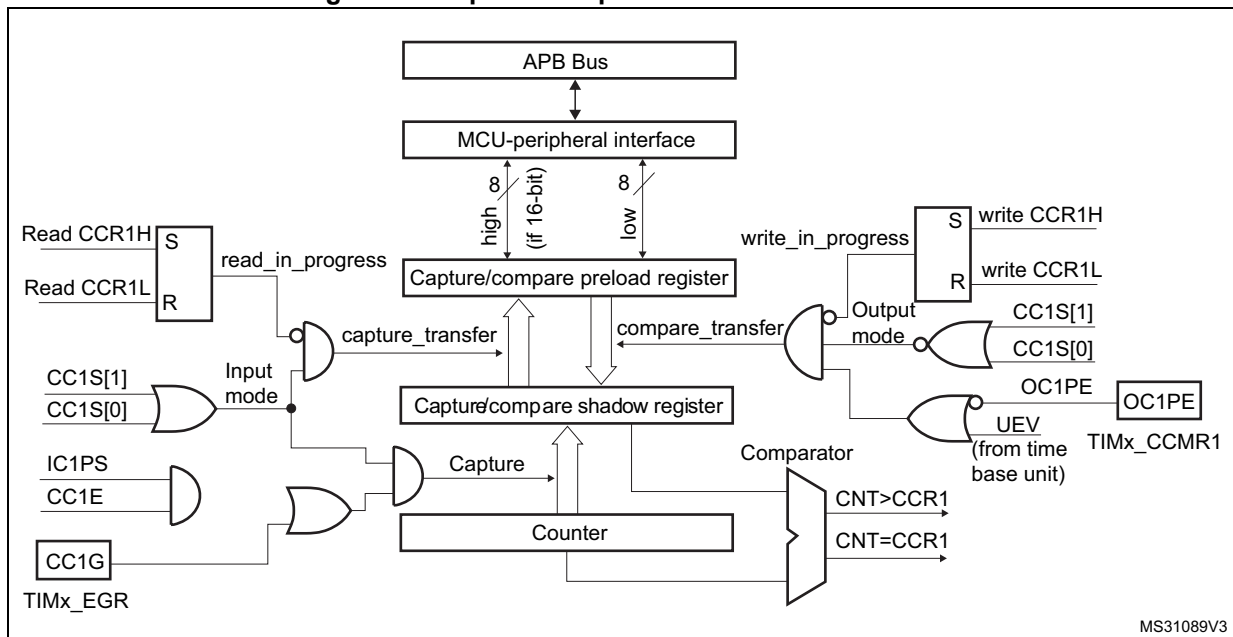
Figure 91. Capture/compare channel (example: channel 1 input stage)



MS33115V1

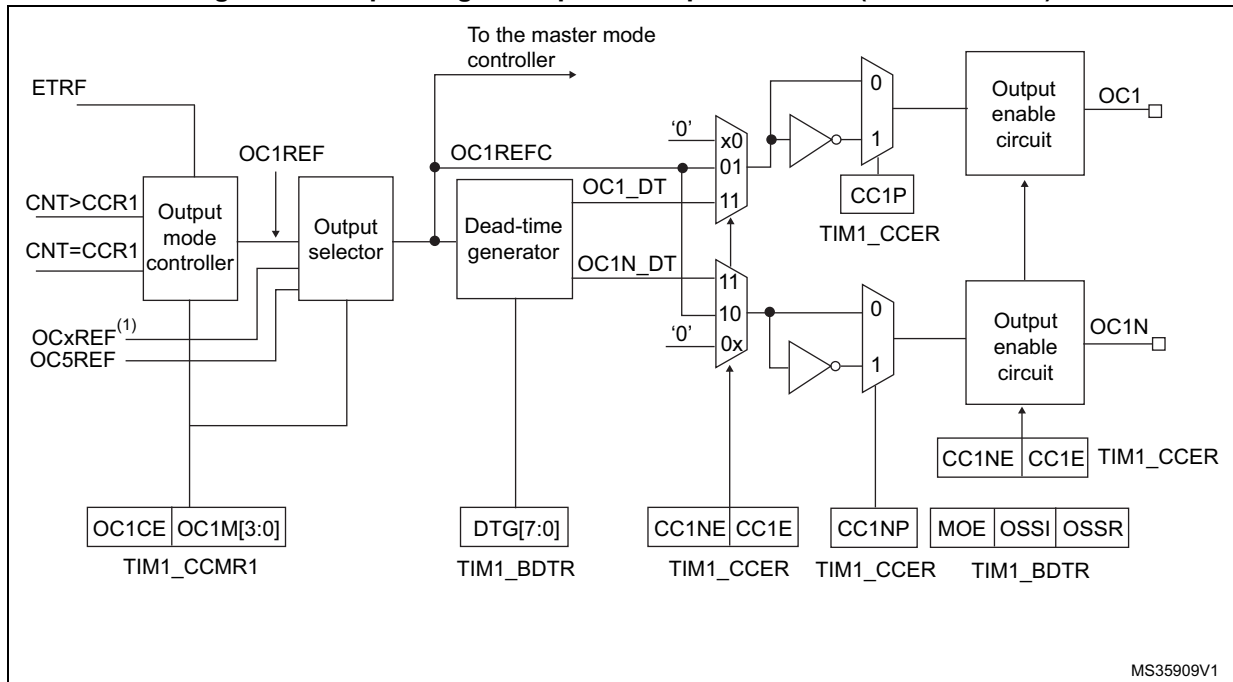
The output stage generates an intermediate waveform that is then used for reference: OCxRef (active high). The polarity acts at the end of the chain.

Figure 92. Capture/compare channel 1 main circuit



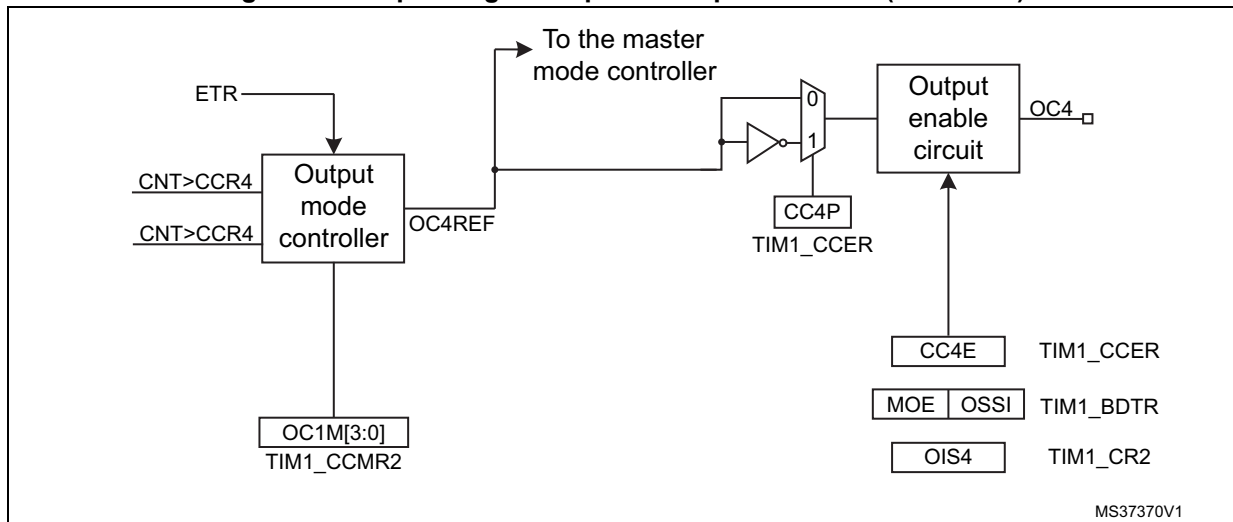
MS31089V3

Figure 93. Output stage of capture/compare channel (channel 1 to 3)



MS35909V1

Figure 94. Output stage of capture/compare channel (channel 4)



MS37370V1

The capture/compare block is made of one preload register and one shadow register. Write and read always access the preload register.

In capture mode, captures are actually done in the shadow register, which is copied into the preload register.

In compare mode, the content of the preload register is copied into the shadow register which is compared to the counter.

13.3.6 Input capture mode

In Input capture mode, the Capture/Compare registers (TIMx_CCRx) are used to latch the value of the counter after a transition detected by the corresponding ICx signal. When a capture occurs, the corresponding CCxIF flag (TIMx_SR register) is set and an interrupt or a DMA request can be sent if they are enabled. If a capture occurs while the CCxIF flag was already high, then the over-capture flag CCxOF (TIMx_SR register) is set. CCxIF can be cleared by software by writing it to '0' or by reading the captured data stored in the TIMx_CCRx register. CCxOF is cleared when written to '0'.

The following example shows how to capture the counter value in TIMx_CCR1 when TI1 input rises. To do this, use the following procedure:

- Select the active input: TIMx_CCR1 must be linked to the TI1 input, so write the CC1S bits to 01 in the TIMx_CCMR1 register. As soon as CC1S becomes different from 00, the channel is configured in input and the TIMx_CCR1 register becomes read-only.
- Program the needed input filter duration with respect to the signal connected to the timer (by programming ICxF bits in the TIMx_CCMRx register if the input is a TIx input). Let's imagine that, when toggling, the input signal is not stable during at most five internal clock cycles. We must program a filter duration longer than these five clock cycles. We can validate a transition on TI1 when 8 consecutive samples with the new level have been detected (sampled at f_{DTS} frequency). Then write IC1F bits to 0011 in the TIMx_CCMR1 register.
- Select the edge of the active transition on the TI1 channel by writing CC1P and CC1NP bits to 0 in the TIMx_CCER register (rising edge in this case).
- Program the input prescaler. In our example, we wish the capture to be performed at each valid transition, so the prescaler is disabled (write IC1PS bits to '00' in the TIMx_CCMR1 register).
- Enable capture from the counter into the capture register by setting the CC1E bit in the TIMx_CCER register.
- If needed, enable the related interrupt request by setting the CC1IE bit in the TIMx_DIER register, and/or the DMA request by setting the CC1DE bit in the TIMx_DIER register.

When an input capture occurs:

- The TIMx_CCR1 register gets the value of the counter on the active transition.
- CC1IF flag is set (interrupt flag). CC1OF is also set if at least two consecutive captures occurred whereas the flag was not cleared.
- An interrupt is generated depending on the CC1IE bit.
- A DMA request is generated depending on the CC1DE bit.

In order to handle the overcapture, it is recommended to read the data before the overcapture flag. This is to avoid missing an overcapture which could happen after reading the flag and before reading the data.

Note: IC interrupt and/or DMA requests can be generated by software by setting the corresponding CCxG bit in the TIMx_EGR register.

13.3.7 PWM input mode

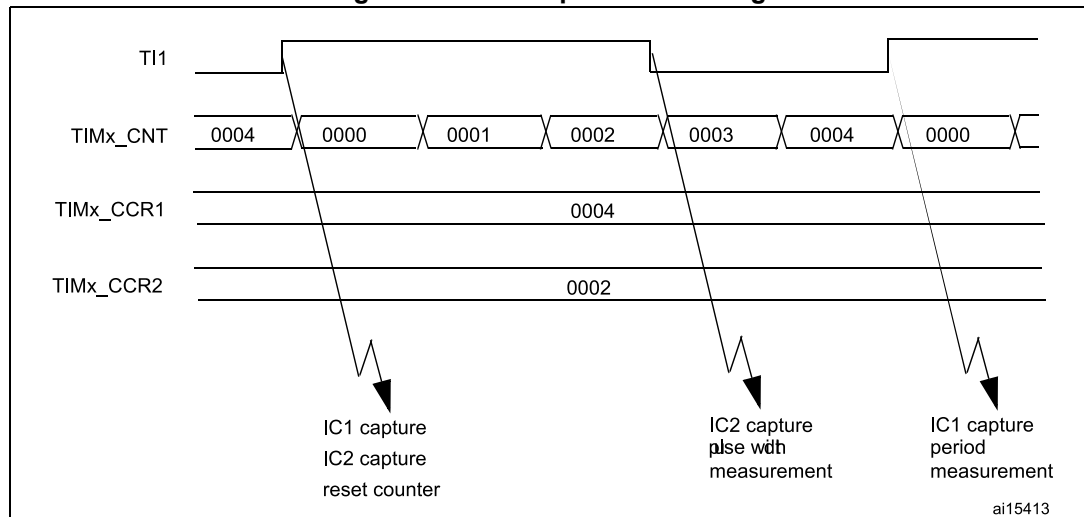
This mode is a particular case of input capture mode. The procedure is the same except:

- Two ICx signals are mapped on the same T1x input.
- These 2 ICx signals are active on edges with opposite polarity.
- One of the two T1xFP signals is selected as trigger input and the slave mode controller is configured in reset mode.

For example, user can measure the period (in TIMx_CCR1 register) and the duty cycle (in TIMx_CCR2 register) of the PWM applied on TI1 using the following procedure (depending on CK_INT frequency and prescaler value):

- Select the active input for TIMx_CCR1: write the CC1S bits to 01 in the TIMx_CCMR1 register (TI1 selected).
- Select the active polarity for TI1FP1 (used both for capture in TIMx_CCR1 and counter clear): write the CC1P and CC1NP bits to '0' (active on rising edge).
- Select the active input for TIMx_CCR2: write the CC2S bits to 10 in the TIMx_CCMR1 register (TI1 selected).
- Select the active polarity for TI1FP2 (used for capture in TIMx_CCR2): write the CC2P bit to '1' and the CC2NP bit to '0' (active on falling edge).
- Select the valid trigger input: write the TS bits to 101 in the TIMx_SMCR register (TI1FP1 selected).
- Configure the slave mode controller in reset mode: write the SMS bits to 100 in the TIMx_SMCR register.
- Enable the captures: write the CC1E and CC2E bits to '1' in the TIMx_CCER register.

Figure 95. PWM input mode timing



13.3.8 Forced output mode

In output mode (CCxS bits = 00 in the TIMx_CCMRx register), each output compare signal (OCxREF and then OCx/OCxN) can be forced to active or inactive level directly by software, independently of any comparison between the output compare register and the counter.

To force an output compare signal (OCXREF/OCx) to its active level, the user just needs to write 101 in the OCxM bits in the corresponding TIMx_CCMRx register. Thus OCXREF is

forced high (OCxREF is always active high) and OCx get opposite value to CCxP polarity bit.

For example: CCxP=0 (OCx active high) => OCx is forced to high level.

The OCxREF signal can be forced low by writing the OCxM bits to 100 in the TIMx_CCMRx register.

Anyway, the comparison between the TIMx_CCRx shadow register and the counter is still performed and allows the flag to be set. Interrupt and DMA requests can be sent accordingly. This is described in the output compare mode section below.

13.3.9 Output compare mode

This function is used to control an output waveform or indicating when a period of time has elapsed.

When a match is found between the capture/compare register and the counter, the output compare function:

- Assigns the corresponding output pin to a programmable value defined by the output compare mode (OCxM bits in the TIMx_CCMRx register) and the output polarity (CCxP bit in the TIMx_CCER register). The output pin can keep its level (OCxM=000), be set active (OCxM=001), be set inactive (OCxM=010) or can toggle (OCxM=011) on match.
- Sets a flag in the interrupt status register (CCxIF bit in the TIMx_SR register).
- Generates an interrupt if the corresponding interrupt mask is set (CCxIE bit in the TIMx_DIER register).
- Sends a DMA request if the corresponding enable bit is set (CCxDE bit in the TIMx_DIER register, CCDS bit in the TIMx_CR2 register for the DMA request selection).

The TIMx_CCRx registers can be programmed with or without preload registers using the OCxPE bit in the TIMx_CCMRx register.

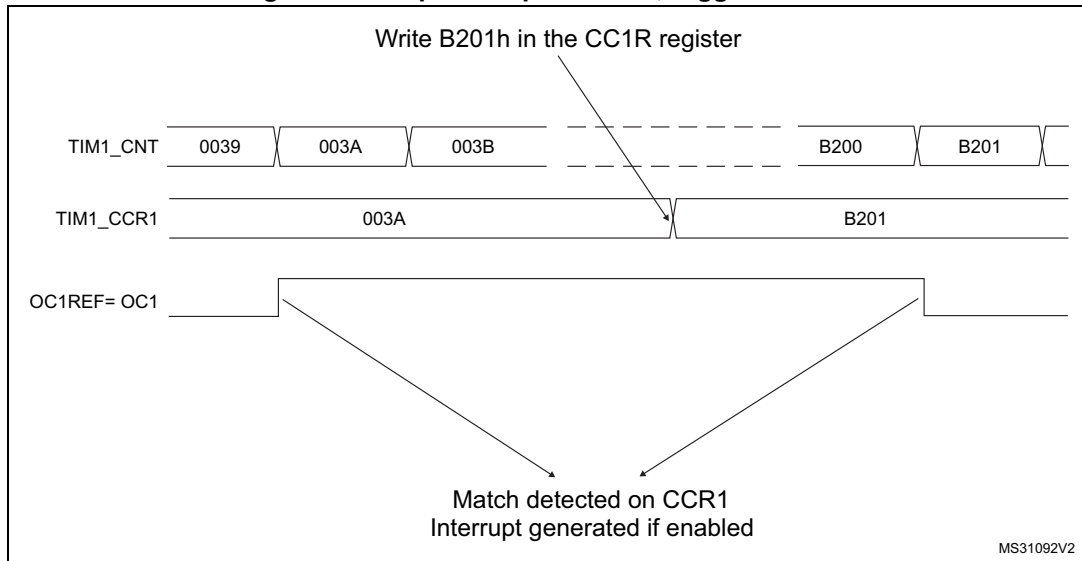
In output compare mode, the update event UEV has no effect on OCxREF and OCx output. The timing resolution is one count of the counter. Output compare mode can also be used to output a single pulse (in One Pulse mode).

Procedure:

1. Select the counter clock (internal, external, prescaler).
2. Write the desired data in the TIMx_ARR and TIMx_CCRx registers.
3. Set the CCxIE bit if an interrupt request is to be generated.
4. Select the output mode. For example:
 - Write OCxM = 011 to toggle OCx output pin when CNT matches CCRx
 - Write OCxPE = 0 to disable preload register
 - Write CCxP = 0 to select active high polarity
 - Write CCxE = 1 to enable the output
5. Enable the counter by setting the CEN bit in the TIMx_CR1 register.

The TIMx_CCRx register can be updated at any time by software to control the output waveform, provided that the preload register is not enabled (OCxPE='0', else TIMx_CCRx shadow register is updated only at the next update event UEV). An example is given in [Figure 96](#).

Figure 96. Output compare mode, toggle on OC1



13.3.10 PWM mode

Pulse Width Modulation mode allows generating a signal with a frequency determined by the value of the TIMx_ARR register and a duty cycle determined by the value of the TIMx_CCRx register.

The PWM mode can be selected independently on each channel (one PWM per OCx output) by writing '110' (PWM mode 1) or '111' (PWM mode 2) in the OCxM bits in the TIMx_CCMRx register. The corresponding preload register must be enabled by setting the OCxPE bit in the TIMx_CCMRx register, and eventually the auto-reload preload register (in upcounting or center-aligned modes) by setting the ARPE bit in the TIMx_CR1 register.

As the preload registers are transferred to the shadow registers only when an update event occurs, before starting the counter, the user must initialize all the registers by setting the UG bit in the TIMx_EGR register.

OCx polarity is software programmable using the CCxP bit in the TIMx_CCER register. It can be programmed as active high or active low. OCx output is enabled by a combination of the CCxE, CCxNE, MOE, OSSI and OSSR bits (TIMx_CCER and TIMx_BDTR registers). Refer to the TIMx_CCER register description for more details.

In PWM mode (1 or 2), TIMx_CNT and TIMx_CCRx are always compared to determine whether $TIMx_CCRx \leq TIMx_CNT$ or $TIMx_CNT \leq TIMx_CCRx$ (depending on the direction of the counter).

The timer is able to generate PWM in edge-aligned mode or center-aligned mode depending on the CMS bits in the TIMx_CR1 register.

PWM edge-aligned mode

- Upcounting configuration

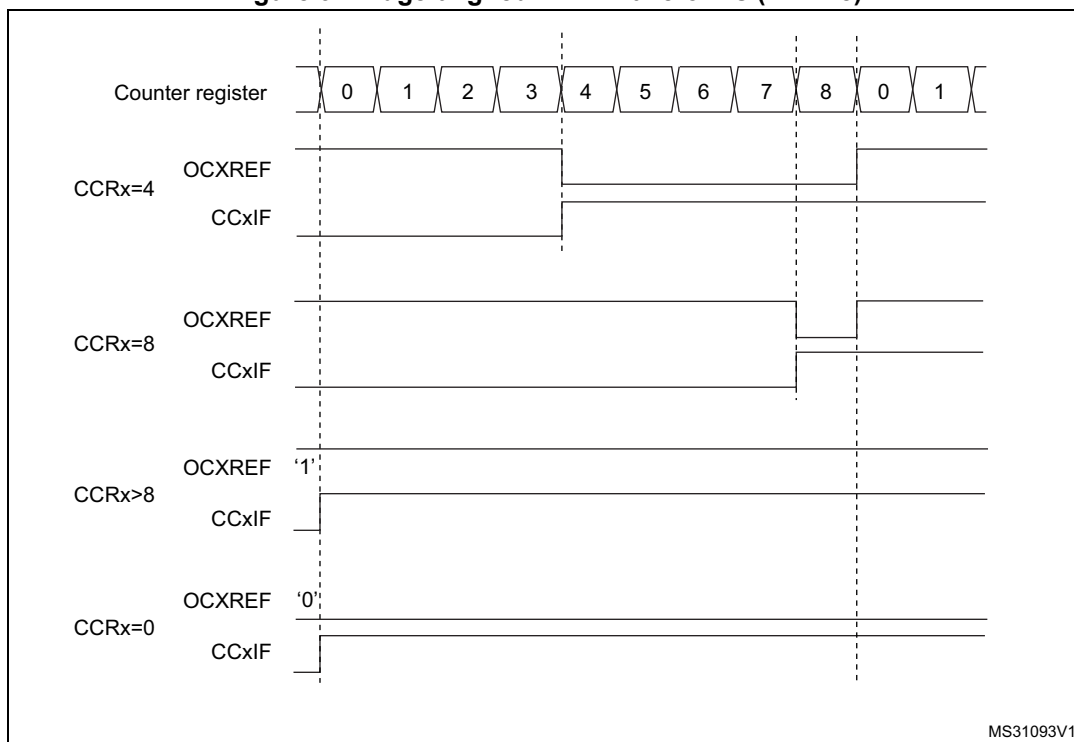
Upcounting is active when the DIR bit in the TIMx_CR1 register is low. Refer to [Upcounting mode](#).

In the following example, we consider PWM mode 1. The reference PWM signal OCxREF is high as long as $TIMx_CNT < TIMx_CCRx$ else it becomes low. If the

compare value in TIMx_CCRx is greater than the auto-reload value (in TIMx_ARR) then OCxREF is held at '1'. If the compare value is 0 then OCxRef is held at '0'.

Figure 97 shows some edge-aligned PWM waveforms in an example where TIMx_ARR=8.

Figure 97. Edge-aligned PWM waveforms (ARR=8)



- Downcounting configuration**

Downcounting is active when DIR bit in TIMx_CR1 register is high. Refer to [Downcounting mode](#)

In PWM mode 1, the reference signal OCxRef is low as long as $TIMx_CNT > TIMx_CCRx$ else it becomes high. If the compare value in TIMx_CCRx is greater than the auto-reload value in TIMx_ARR, then OCxREF is held at '1'. 0% PWM is not possible in this mode.

PWM center-aligned mode

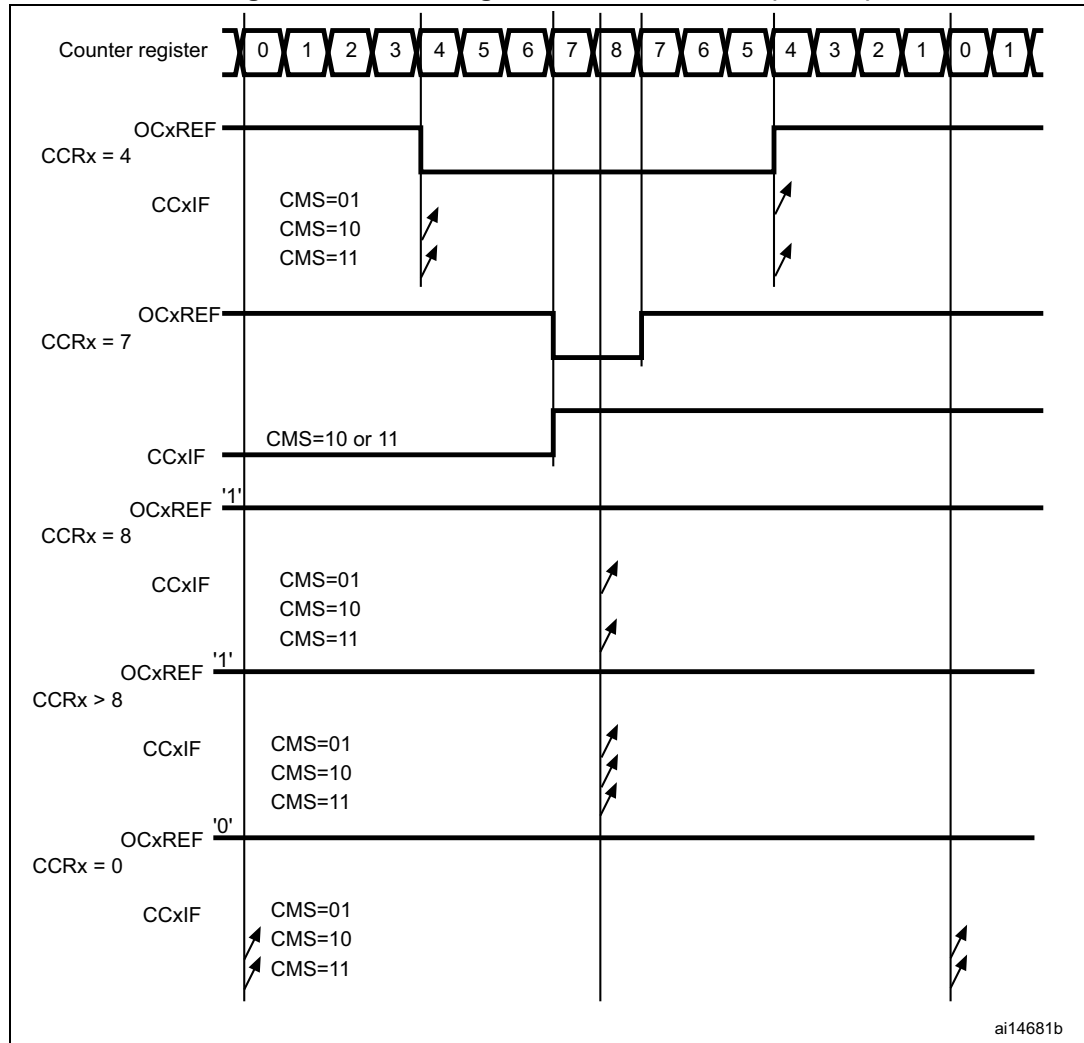
Center-aligned mode is active when the CMS bits in TIMx_CR1 register are different from '00' (all the remaining configurations having the same effect on the OCxRef/OCx signals). The compare flag is set when the counter counts up, when it counts down or both when it counts up and down depending on the CMS bits configuration. The direction bit (DIR) in the

TIMx_CR1 register is updated by hardware and must not be changed by software. Refer to [Center-aligned mode \(up/down counting\)](#).

Figure 98 shows some center-aligned PWM waveforms in an example where:

- TIMx_ARR=8,
- PWM mode is the PWM mode 1,
- The flag is set when the counter counts down corresponding to the center-aligned mode 1 selected for CMS=01 in TIMx_CR1 register.

Figure 98. Center-aligned PWM waveforms (ARR=8)



Hints on using center-aligned mode:

- When starting in center-aligned mode, the current up-down configuration is used. It means that the counter counts up or down depending on the value written in the DIR bit

in the TIMx_CR1 register. Moreover, the DIR and CMS bits must not be changed at the same time by the software.

- Writing to the counter while running in center-aligned mode is not recommended as it can lead to unexpected results. In particular:
 - The direction is not updated if the user writes a value in the counter greater than the auto-reload value (TIMx_CNT > TIMx_ARR). For example, if the counter was counting up, it continues to count up.
 - The direction is updated if the user writes 0 or write the TIMx_ARR value in the counter but no Update Event UEV is generated.
- The safest way to use center-aligned mode is to generate an update by software (setting the UG bit in the TIMx_EGR register) just before starting the counter and not to write the counter while it is running.

13.3.11 Complementary outputs and dead-time insertion

The advanced-control timers (TIM1 and TIM8) can output two complementary signals and manage the switching-off and the switching-on instants of the outputs.

This time is generally known as dead-time and it has to be adjust it depending on the devices connected to the outputs and their characteristics (intrinsic delays of level-shifters, delays due to power switches...)

User can select the polarity of the outputs (main output OCx or complementary OCxN) independently for each output. This is done by writing to the CCxP and CCxNP bits in the TIMx_CCER register.

The complementary signals OCx and OCxN are activated by a combination of several control bits: the CCxE and CCxNE bits in the TIMx_CCER register and the MOE, OISx, OISxN, OSSI and OSSR bits in the TIMx_BDTR and TIMx_CR2 registers. Refer to [Table 57](#) for more details. In particular, the dead-time is activated when switching to the IDLE state (MOE falling down to 0).

Dead-time insertion is enabled by setting both CCxE and CCxNE bits, and the MOE bit if the break circuit is present. DTG[7:0] bits of the TIMx_BDTR register are used to control the dead-time generation for all channels. From a reference waveform OCxREF, it generates 2 outputs OCx and OCxN. If OCx and OCxN are active high:

- The OCx output signal is the same as the reference signal except for the rising edge, which is delayed relative to the reference rising edge.
- The OCxN output signal is the opposite of the reference signal except for the rising edge, which is delayed relative to the reference falling edge.

If the delay is greater than the width of the active output (OCx or OCxN) then the corresponding pulse is not generated.

The following figures show the relationships between the output signals of the dead-time generator and the reference signal OCxREF. (we suppose CCxP=0, CCxNP=0, MOE=1, CCxE=1 and CCxNE=1 in these examples)

Figure 99. Complementary output with dead-time insertion

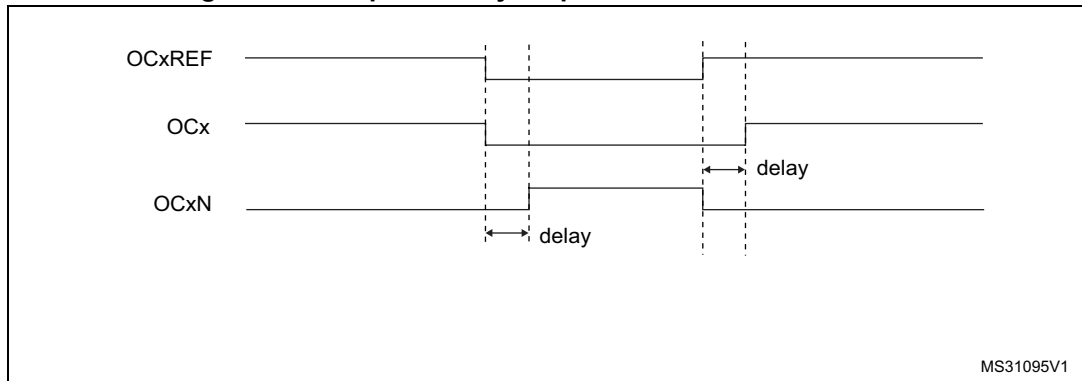


Figure 100. Dead-time waveforms with delay greater than the negative pulse

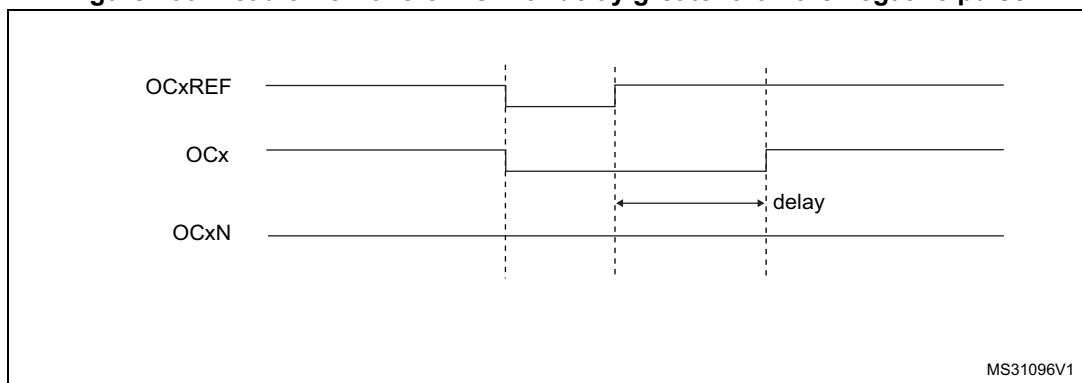
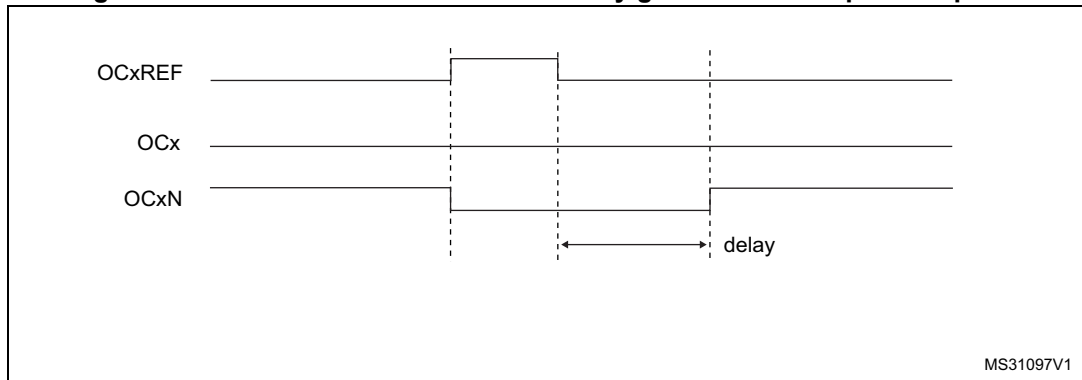


Figure 101. Dead-time waveforms with delay greater than the positive pulse



The dead-time delay is the same for each of the channels and is programmable with the DTG bits in the TIMx_BDTR register. Refer to [Section 13.4.18](#) for delay calculation.

Re-directing OCxREF to OCx or OCxN

In output mode (forced, output compare or PWM), OCxREF can be re-directed to the OCx output or to OCxN output by configuring the CCxE and CCxNE bits in the TIMx_CCER register.

This allows the user to send a specific waveform (such as PWM or static active level) on one output while the complementary remains at its inactive level. Other possibilities are to have both outputs at inactive level or both outputs active and complementary with

dead-time.

Note: When only OCxN is enabled (CCxE=0, CCxNE=1), it is not complemented and becomes active as soon as OCxREF is high. For example, if CCxNP=0 then OCxN=OCxRef. On the other hand, when both OCx and OCxN are enabled (CCxE=CCxNE=1) OCx becomes active when OCxREF is high whereas OCxN is complemented and becomes active when OCxREF is low.

13.3.12 Using the break function

When using the break function, the output enable signals and inactive levels are modified according to additional control bits (MOE, OSSI and OSSR bits in the TIMx_BDTR register, OISx and OISxN bits in the TIMx_CR2 register). In any case, the OCx and OCxN outputs cannot be set both to active level at a given time. Refer to [Table 57](#) for more details.

The break source can be either the break input pin or a clock failure event, generated by the Clock Security System (CSS), from the Reset Clock Controller. For further information on the Clock Security System, refer to [Section 5.2.7: Clock security system \(CSS\)](#).

When exiting from reset, the break circuit is disabled and the MOE bit is low. User can enable the break function by setting the BKE bit in the TIMx_BDTR register. The break input polarity can be selected by configuring the BKP bit in the same register. BKE and BKP can be modified at the same time. When the BKE and BKP bits are written, a delay of 1 APB clock cycle is applied before the writing is effective. Consequently, it is necessary to wait 1 APB clock period to correctly read back the bit after the write operation.

Because MOE falling edge can be asynchronous, a resynchronization circuit has been inserted between the actual signal (acting on the outputs) and the synchronous control bit (accessed in the TIMx_BDTR register). It results in some delays between the asynchronous and the synchronous signals. In particular, if MOE is written to 1 whereas it was low, a delay (dummy instruction) must be inserted before reading it correctly. This is because the user writes an asynchronous signal, but reads a synchronous signal.

When a break occurs (selected level on the break input):

- The MOE bit is cleared asynchronously, putting the outputs in inactive state, idle state or in reset state (selected by the OSSI bit). This feature functions even if the MCU oscillator is off.
- Each output channel is driven with the level programmed in the OISx bit in the TIMx_CR2 register as soon as MOE=0. If OSSI=0 then the timer releases the enable output else the enable output remains high.
- When complementary outputs are used:
 - The outputs are first put in reset state inactive state (depending on the polarity). This is done asynchronously so that it works even if no clock is provided to the timer.
 - If the timer clock is still present, then the dead-time generator is reactivated in order to drive the outputs with the level programmed in the OISx and OISxN bits after a dead-time. Even in this case, OCx and OCxN cannot be driven to their active level together. Note that because of the resynchronization on MOE, the dead-time duration is a bit longer than usual (around 2 ck_tim clock cycles).
 - If OSSI=0 then the timer releases the enable outputs else the enable outputs remain or become high as soon as one of the CCxE or CCxNE bits is high.

- The break status flag (BIF bit in the TIMx_SR register) is set. An interrupt can be generated if the BIE bit in the TIMx_DIER register is set. A DMA request can be sent if the BDE bit in the TIMx_DIER register is set.
- If the AOE bit in the TIMx_BDTR register is set, the MOE bit is automatically set again at the next update event UEV. This can be used to perform a regulation, for instance. Else, MOE remains low until it is written to '1' again. In this case, it can be used for security and the break input can be connected to an alarm from power drivers, thermal sensors or any security components.

Note: The break inputs is acting on level. Thus, the MOE cannot be set while the break input is active (neither automatically nor by software). In the meantime, the status flag BIF cannot be cleared.

The break can be generated by the BRK input which has a programmable polarity and an enable bit BKE in the TIMx_BDTR register.

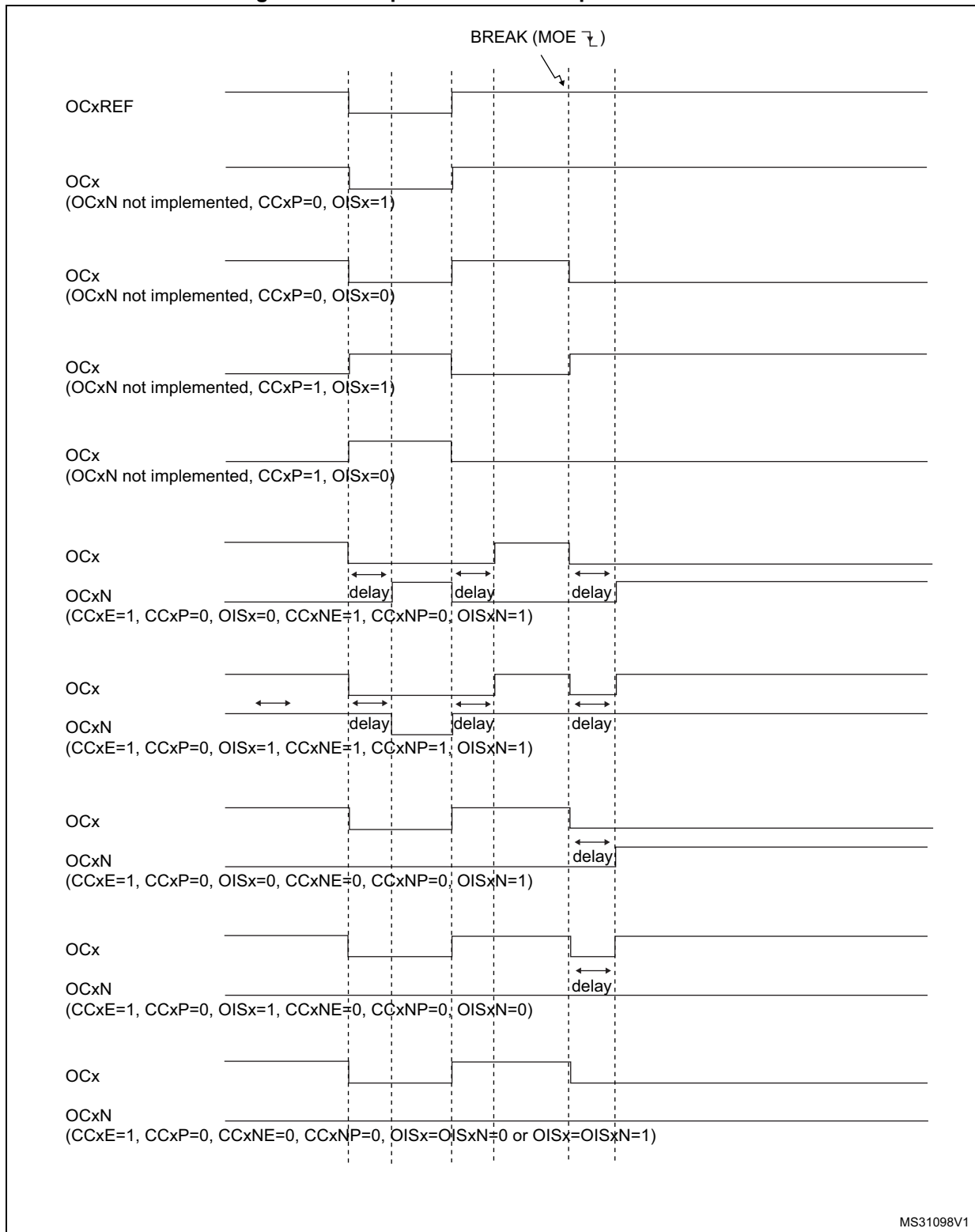
There are two solutions to generate a break:

- By using the BRK input which has a programmable polarity and an enable bit BKE in the TIMx_BDTR register
- By software through the BG bit of the TIMx_EGR register.

In addition to the break input and the output management, a write protection has been implemented inside the break circuit to safeguard the application. It allows freezing the configuration of several parameters (dead-time duration, OCx/OCxN polarities and state when disabled, OCxM configurations, break enable and polarity). The user can choose from three levels of protection selected by the LOCK bits in the TIMx_BDTR register. Refer to [Section 13.4.18](#). The LOCK bits can be written only once after an MCU reset.

Figure 102 shows an example of behavior of the outputs in response to a break.

Figure 102. Output behavior in response to a break



13.3.13 Clearing the OCxREF signal on an external event

The OCxREF signal for a given channel can be driven Low by applying a High level to the ETRF input (OCxCE enable bit of the corresponding TIMx_CCMRx register set to '1'). The OCxREF signal remains Low until the next update event, UEV, occurs.

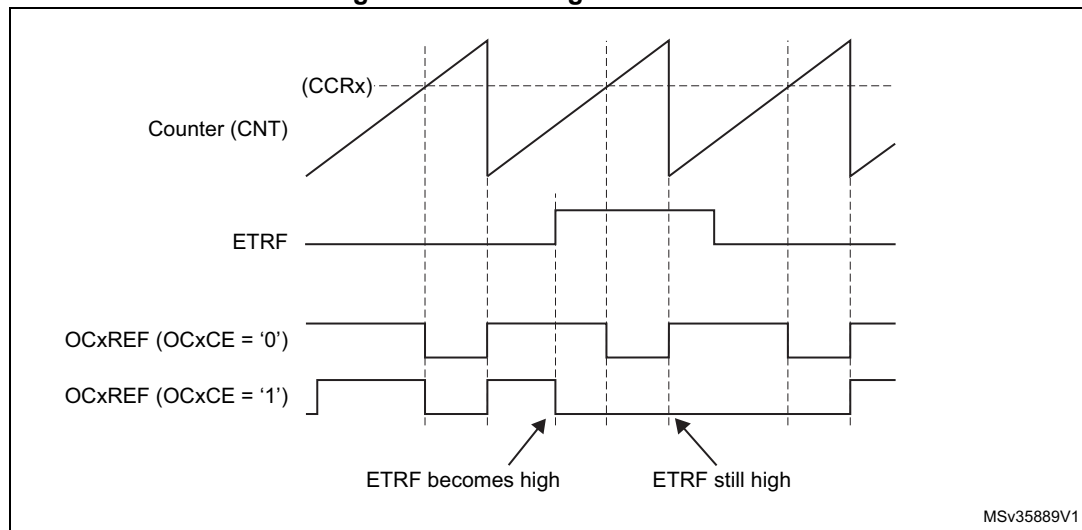
This function can only be used in output compare and PWM modes, and does not work in forced mode.

For example, the ETR signal can be connected to the output of a comparator to be used for current handling. In this case, the ETR must be configured as follow:

1. The External Trigger Prescaler should be kept off: bits ETPS[1:0] of the TIMx_SMCR register set to '00'.
2. The external clock mode 2 must be disabled: bit ECE of the TIMx_SMCR register set to '0'.
3. The External Trigger Polarity (ETP) and the External Trigger Filter (ETF) can be configured according to the user needs.

Figure 103 shows the behavior of the OCxREF signal when the ETRF Input becomes High, for both values of the enable bit OCxCE. In this example, the timer TIMx is programmed in PWM mode.

Figure 103. Clearing TIMx OCxREF



Note: In case of a PWM with a 100% duty cycle (if $CCR_x > ARR$), then OCxREF is enabled again at the next counter overflow.

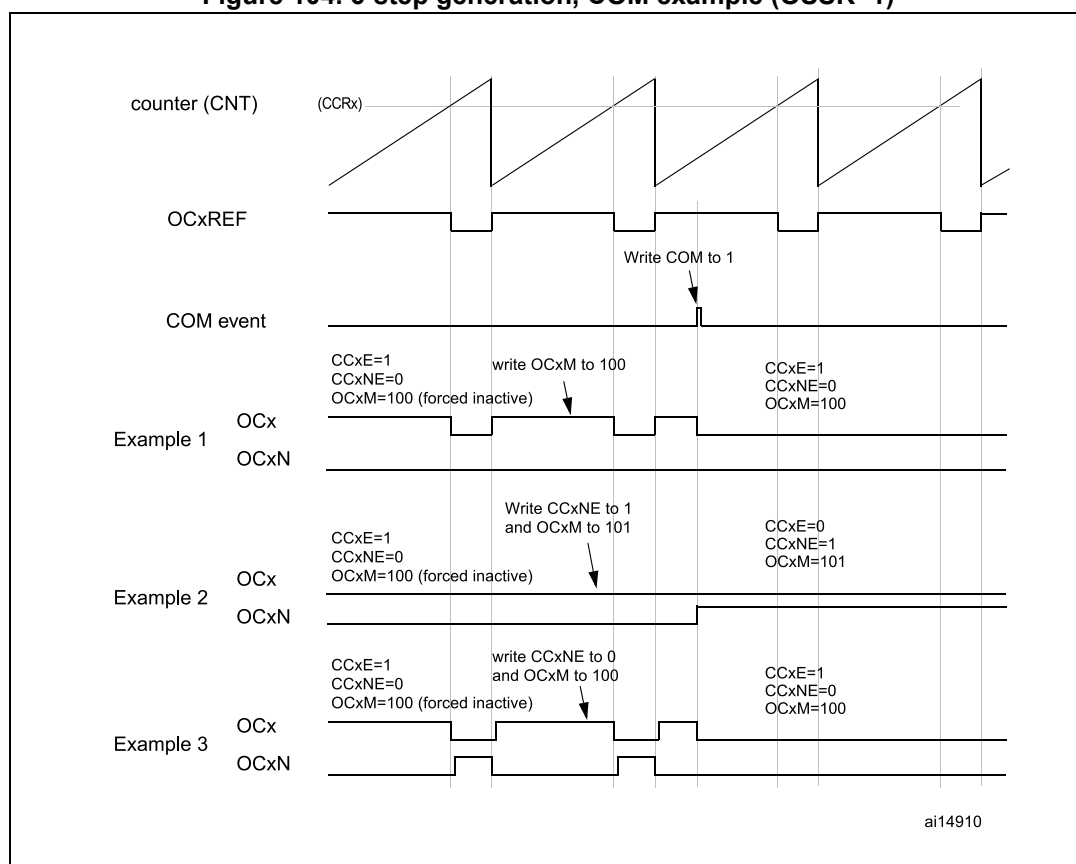
13.3.14 6-step PWM generation

When complementary outputs are used on a channel, preload bits are available on the OCxM, CCxE and CCxNE bits. The preload bits are transferred to the shadow bits at the COM commutation event. The user can thus program in advance the configuration for the next step and change the configuration of all the channels at the same time. COM can be generated by software by setting the COM bit in the TIMx_EGR register or by hardware (on TRGI rising edge).

A flag is set when the COM event occurs (COMIF bit in the TIMx_SR register), which can generate an interrupt (if the COMIE bit is set in the TIMx_DIER register) or a DMA request (if the COMDE bit is set in the TIMx_DIER register).

Figure 104 describes the behavior of the OCx and OCxN outputs when a COM event occurs, in 3 different examples of programmed configurations.

Figure 104. 6-step generation, COM example (OSSR=1)



13.3.15 One-pulse mode

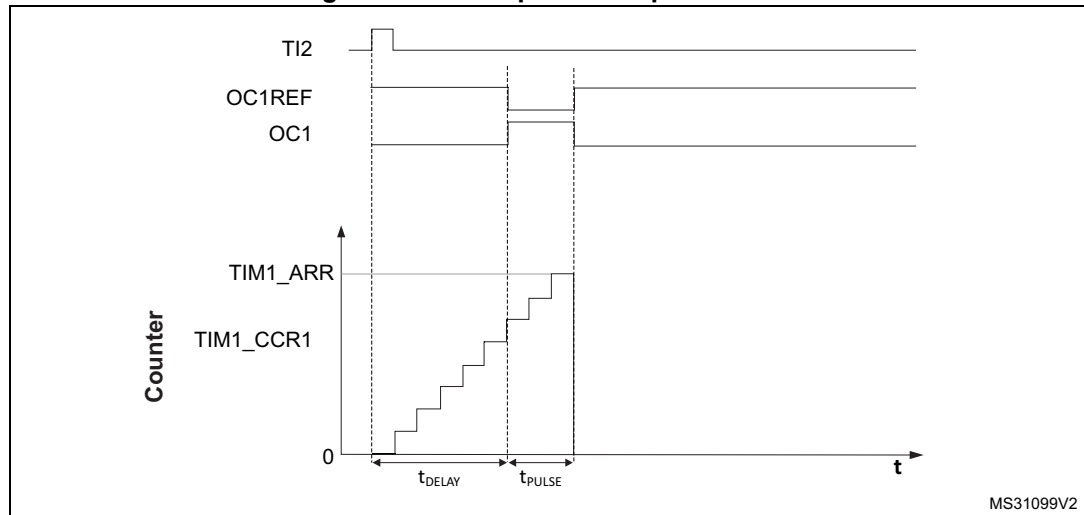
One-pulse mode (OPM) is a particular case of the previous modes. It allows the counter to be started in response to a stimulus and to generate a pulse with a programmable length after a programmable delay.

Starting the counter can be controlled through the slave mode controller. Generating the waveform can be done in output compare mode or PWM mode. Select One-pulse mode by setting the OPM bit in the TIMx_CR1 register. This makes the counter stop automatically at the next update event UEV.

A pulse can be correctly generated only if the compare value is different from the counter initial value. Before starting (when the timer is waiting for the trigger), the configuration must be:

- In upcounting: $CNT < CCRx \leq ARR$ (in particular, $0 < CCRx$)
- In downcounting: $CNT > CCRx$

Figure 105. Example of one pulse mode



For example the user may want to generate a positive pulse on OC1 with a length of t_{PULSE} and after a delay of t_{DELAY} as soon as a positive edge is detected on the TI2 input pin.

Let's use TI2FP2 as trigger 1:

- Map TI2FP2 to TI2 by writing $CC2S='01'$ in the TIMx_CCMR1 register.
- TI2FP2 must detect a rising edge, write $CC2P='0'$ and $CC2NP='0'$ in the TIMx_CCER register.
- Configure TI2FP2 as trigger for the slave mode controller (TRGI) by writing $TS='110'$ in the TIMx_SMCR register.
- TI2FP2 is used to start the counter by writing SMS to '110' in the TIMx_SMCR register (trigger mode).

The OPM waveform is defined by writing the compare registers (taking into account the clock frequency and the counter prescaler).

- The t_{DELAY} is defined by the value written in the TIMx_CCR1 register.
- The t_{PULSE} is defined by the difference between the auto-reload value and the compare value (TIMx_ARR - TIMx_CCR1).
- Let us say the user wants to build a waveform with a transition from '0' to '1' when a compare match occurs and a transition from '1' to '0' when the counter reaches the auto-reload value. To do this, enable PWM mode 2 by writing OC1M=111 in the TIMx_CCMR1 register. The user can optionally enable the preload registers by writing OC1PE='1' in the TIMx_CCMR1 register and ARPE in the TIMx_CR1 register. In this case the compare value must be written in the TIMx_CCR1 register, the auto-reload value in the TIMx_ARR register, generate an update by setting the UG bit and wait for external trigger event on TI2. CC1P is written to '0' in this example.

In our example, the DIR and CMS bits in the TIMx_CR1 register should be low.

The user only wants one pulse (Single mode), so '1' must be written in the OPM bit in the TIMx_CR1 register to stop the counter at the next update event (when the counter rolls over from the auto-reload value back to 0). When OPM bit in the TIMx_CR1 register is set to '0', so the Repetitive mode is selected.

Particular case: OCx fast enable:

In One-pulse mode, the edge detection on Tlx input set the CEN bit which enables the counter. Then the comparison between the counter and the compare value makes the output toggle. But several clock cycles are needed for these operations and it limits the minimum delay $t_{\text{DELAY min}}$ we can get.

If the user wants to output a waveform with the minimum delay, the OCxFE bit in the TIMx_CCMRx register must be set. Then OCxRef (and OCx) are forced in response to the stimulus, without taking in account the comparison. Its new level is the same as if a compare match had occurred. OCxFE acts only if the channel is configured in PWM1 or PWM2 mode.

13.3.16 Encoder interface mode

To select Encoder Interface mode write SMS='001' in the TIMx_SMCR register if the counter is counting on TI2 edges only, SMS='010' if it is counting on TI1 edges only and SMS='011' if it is counting on both TI1 and TI2 edges.

Select the TI1 and TI2 polarity by programming the CC1P and CC2P bits in the TIMx_CCER register. When needed, the user can program the input filter as well. CC1NP and CC2NP must be kept low.

The two inputs TI1 and TI2 are used to interface to an incremental encoder. Refer to [Table 55](#). The counter is clocked by each valid transition on TI1FP1 or TI2FP2 (TI1 and TI2 after input filter and polarity selection, TI1FP1=TI1 if not filtered and not inverted, TI2FP2=TI2 if not filtered and not inverted) assuming that it is enabled (CEN bit in TIMx_CR1 register written to '1'). The sequence of transitions of the two inputs is evaluated and generates count pulses as well as the direction signal. Depending on the sequence the counter counts up or down, the DIR bit in the TIMx_CR1 register is modified by hardware accordingly. The DIR bit is calculated at each transition on any input (TI1 or TI2), whatever the counter is counting on TI1 only, TI2 only or both TI1 and TI2.

Encoder interface mode acts simply as an external clock with direction selection. This means that the counter just counts continuously between 0 and the auto-reload value in the

TIMx_ARR register (0 to ARR or ARR down to 0 depending on the direction). So user must configure TIMx_ARR before starting. In the same way, the capture, compare, prescaler, repetition counter, trigger output features continue to work as normal. Encoder mode and External clock mode 2 are not compatible and must not be selected together.

In this mode, the counter is modified automatically following the speed and the direction of the incremental encoder and its content, therefore, always represents the encoder's position. The count direction correspond to the rotation direction of the connected sensor. [Table 55](#) summarizes the possible combinations, assuming TI1 and TI2 do not switch at the same time.

Table 55. Counting direction versus encoder signals

Active edge	Level on opposite signal (TI1FP1 for TI2, TI2FP2 for TI1)	TI1FP1 signal		TI2FP2 signal	
		Rising	Falling	Rising	Falling
Counting on TI1 only	High	Down	Up	No Count	No Count
	Low	Up	Down	No Count	No Count
Counting on TI2 only	High	No Count	No Count	Up	Down
	Low	No Count	No Count	Down	Up
Counting on TI1 and TI2	High	Down	Up	Up	Down
	Low	Up	Down	Down	Up

An external incremental encoder can be connected directly to the MCU without external interface logic. However, comparators are normally be used to convert the encoder's differential outputs to digital signals. This greatly increases noise immunity. The third encoder output which indicate the mechanical zero position, may be connected to an external interrupt input and trigger a counter reset.

[Figure 106](#) gives an example of counter operation, showing count signal generation and direction control. It also shows how input jitter is compensated where both edges are selected. This might occur if the sensor is positioned near to one of the switching points. For this example we assume that the configuration is the following:

- CC1S='01' (TIMx_CCMR1 register, TI1FP1 mapped on TI1).
- CC2S='01' (TIMx_CCMR1 register, TI1FP2 mapped on TI2).
- CC1P='0', CC1NP='0', and IC1F = '0000' (TIMx_CCER register, TI1FP1 non-inverted, TI1FP1=TI1).
- CC2P='0', CC2NP='0', and IC2F = '0000' (TIMx_CCER register, TI1FP2 non-inverted, TI1FP2= TI2).
- SMS='011' (TIMx_SMCR register, both inputs are active on both rising and falling edges).
- CEN='1' (TIMx_CR1 register, Counter enabled).

Figure 106. Example of counter operation in encoder interface mode

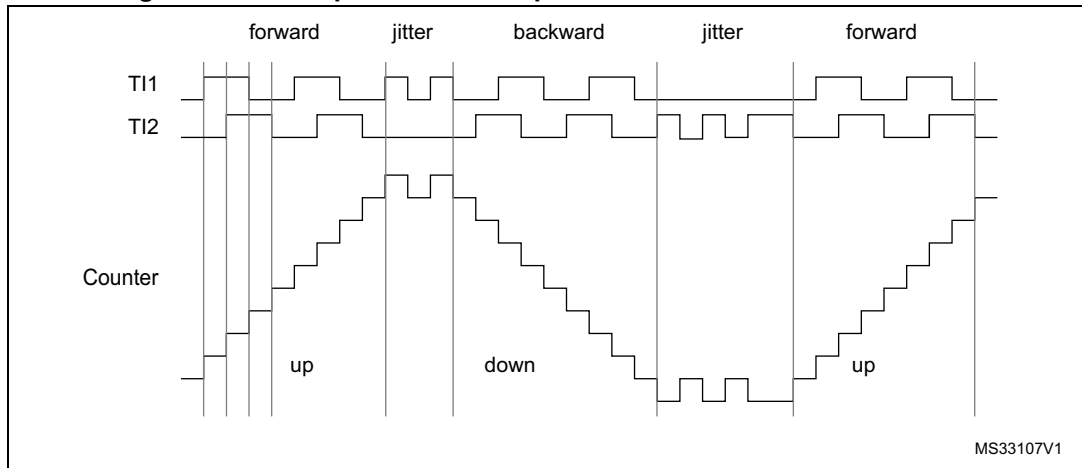
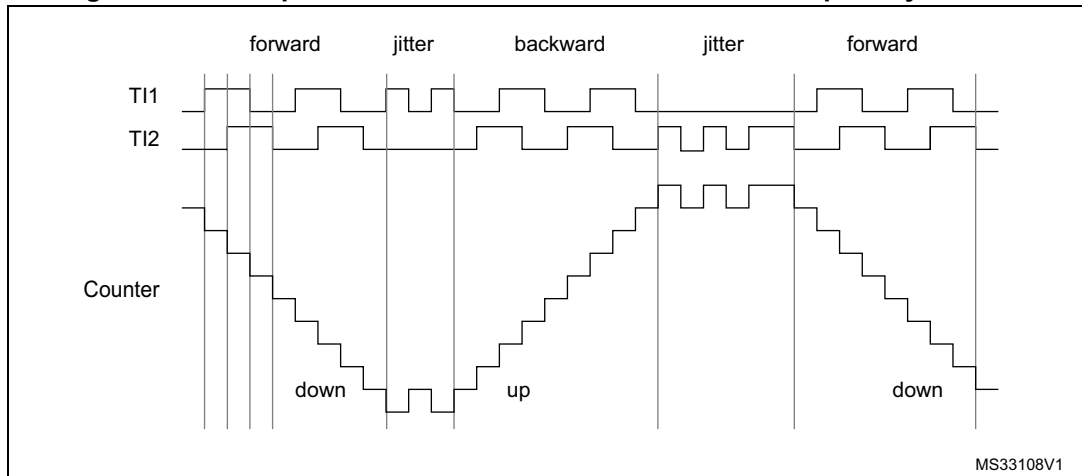


Figure 107 gives an example of counter behavior when TI1FP1 polarity is inverted (same configuration as above except CC1P='1').

Figure 107. Example of encoder interface mode with TI1FP1 polarity inverted



The timer, when configured in Encoder Interface mode provides information on the sensor's current position. The user can obtain dynamic information (speed, acceleration, deceleration) by measuring the period between two encoder events using a second timer configured in capture mode. The output of the encoder which indicates the mechanical zero can be used for this purpose. Depending on the time between two events, the counter can also be read at regular times. This can be done by latching the counter value into a third input capture register if available (then the capture signal must be periodic and can be generated by another timer). when available, it is also possible to read its value through a DMA request generated by a real-time clock.

13.3.17 Timer input XOR function

The TI1S bit in the TIMx_CR2 register, allows the input filter of channel 1 to be connected to the output of a XOR gate, combining the three input pins TIMx_CH1, TIMx_CH2 and TIMx_CH3.

The XOR output can be used with all the timer input functions such as trigger or input capture. An example of this feature used to interface Hall sensors is given in [Section 13.3.18](#).

13.3.18 Interfacing with Hall sensors

This is done using the advanced-control timers (TIM1 or TIM8) to generate PWM signals to drive the motor and another timer TIMx (TIM2, TIM3, TIM4 or TIM5) referred to as “interfacing timer” in [Figure 108](#). The “interfacing timer” captures the 3 timer input pins (TIMx_CH1, TIMx_CH2, and TIMx_CH3) connected through a XOR to the TI1 input channel (selected by setting the TI1S bit in the TIMx_CR2 register).

The slave mode controller is configured in reset mode; the slave input is TI1F_ED. Thus, each time one of the 3 inputs toggles, the counter restarts counting from 0. This creates a time base triggered by any change on the Hall inputs.

On the “interfacing timer”, capture/compare channel 1 is configured in capture mode, capture signal is TRC (see [Figure 91](#)). The captured value, which corresponds to the time elapsed between 2 changes on the inputs, gives information about motor speed.

The “interfacing timer” can be used in output mode to generate a pulse which changes the configuration of the channels of the advanced-control timer (TIM1 or TIM8) (by triggering a COM event). The TIM1 timer is used to generate PWM signals to drive the motor. To do this, the interfacing timer channel must be programmed so that a positive pulse is generated after a programmed delay (in output compare or PWM mode). This pulse is sent to the advanced-control timer (TIM1 or TIM8) through the TRGO output.

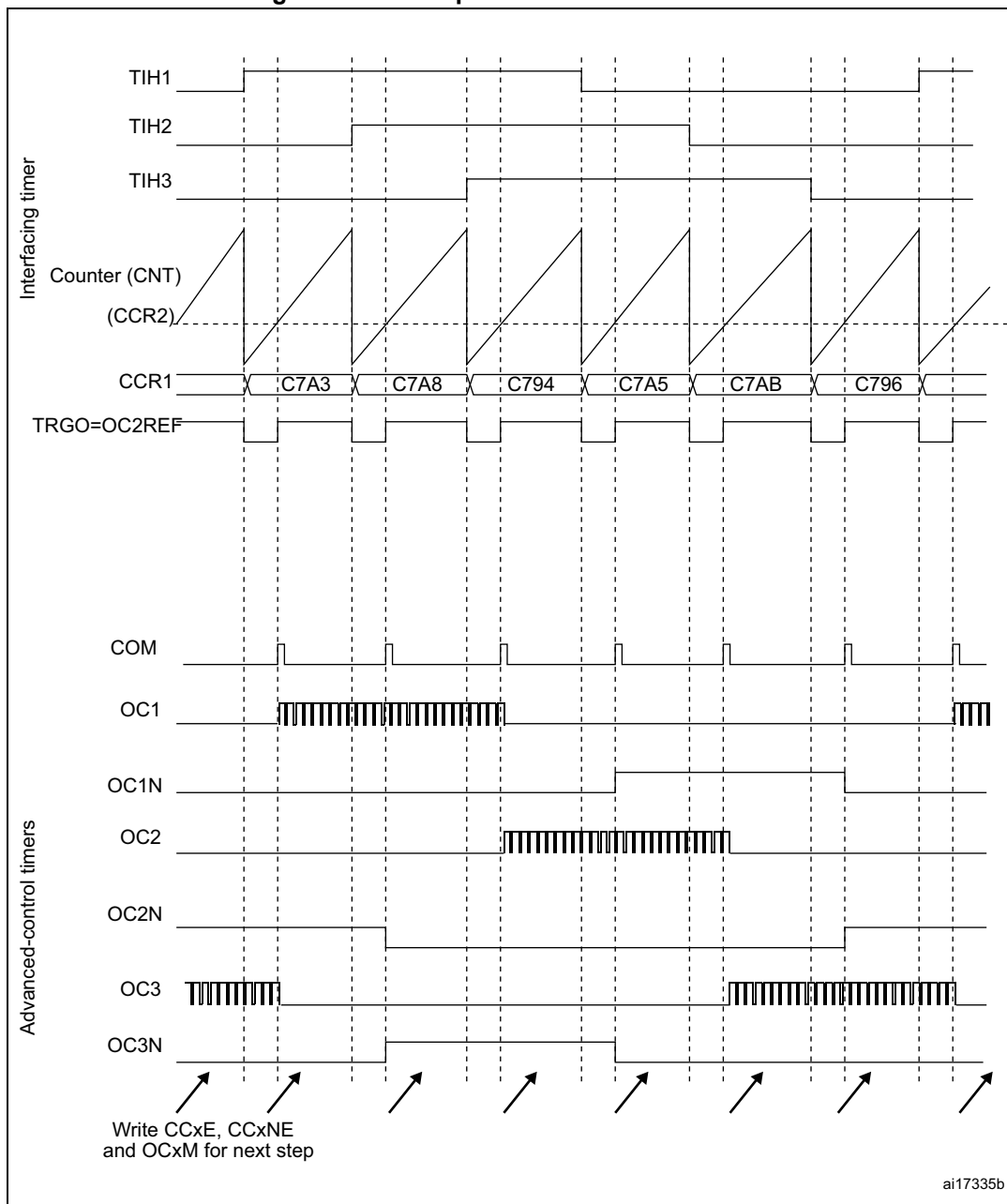
Example: the user wants to change the PWM configuration of the advanced-control timer TIM1 after a programmed delay each time a change occurs on the Hall inputs connected to one of the TIMx timers.

- Configure 3 timer inputs ORed to the TI1 input channel by writing the TI1S bit in the TIMx_CR2 register to ‘1’,
- Program the time base: write the TIMx_ARR to the max value (the counter must be cleared by the TI1 change. Set the prescaler to get a maximum counter period longer than the time between 2 changes on the sensors,
- Program channel 1 in capture mode (TRC selected): write the CC1S bits in the TIMx_CCMR1 register to ‘11’. The user can also program the digital filter if needed,
- Program channel 2 in PWM 2 mode with the desired delay: write the OC2M bits to ‘111’ and the CC2S bits to ‘00’ in the TIMx_CCMR1 register,
- Select OC2REF as trigger output on TRGO: write the MMS bits in the TIMx_CR2 register to ‘101’,

In the advanced-control timer TIM1, the right ITR input must be selected as trigger input, the timer is programmed to generate PWM signals, the capture/compare control signals are preloaded (CCPC=1 in the TIMx_CR2 register) and the COM event is controlled by the trigger input (CCUS=1 in the TIMx_CR2 register). The PWM control bits (CCxE, OCxM) are written after a COM event for the next step (this can be done in an interrupt subroutine generated by the rising edge of OC2REF).

Figure 108 describes this example.

Figure 108. Example of Hall sensor interface



13.3.19 TIMx and external trigger synchronization

The TIMx timer can be synchronized with an external trigger in several modes: Reset mode, Gated mode and Trigger mode.

Slave mode: Reset mode

The counter and its prescaler can be reinitialized in response to an event on a trigger input. Moreover, if the URS bit from the TIMx_CR1 register is low, an update event UEV is generated. Then all the preloaded registers (TIMx_ARR, TIMx_CCRx) are updated.

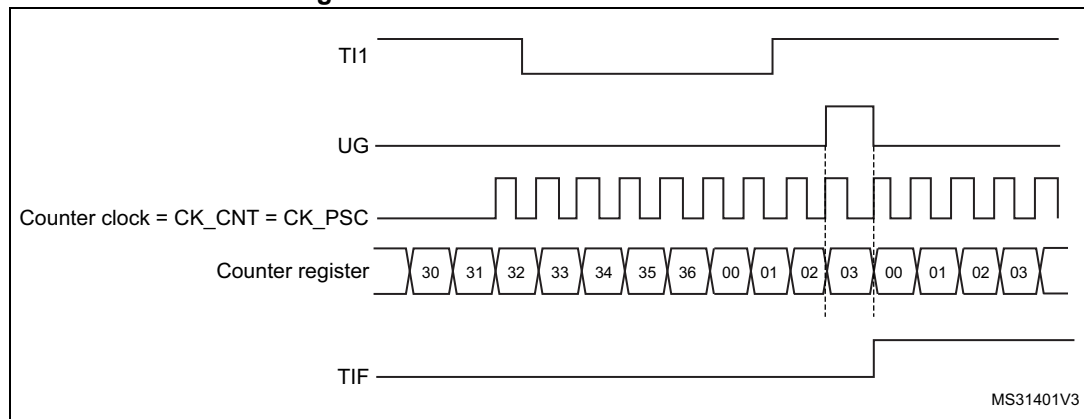
In the following example, the upcounter is cleared in response to a rising edge on TI1 input:

- Configure the channel 1 to detect rising edges on TI1. Configure the input filter duration (in this example, we don't need any filter, so we keep IC1F=0000). The capture prescaler is not used for triggering, so there's no need to configure it. The CC1S bits select the input capture source only, CC1S = 01 in the TIMx_CCMR1 register. Write CC1P=0 and CC1NP='0' in TIMx_CCER register to validate the polarity (and detect rising edges only).
- Configure the timer in reset mode by writing SMS=100 in TIMx_SMCR register. Select TI1 as the input source by writing TS=101 in TIMx_SMCR register.
- Start the counter by writing CEN=1 in the TIMx_CR1 register.

The counter starts counting on the internal clock, then behaves normally until TI1 rising edge. When TI1 rises, the counter is cleared and restarts from 0. In the meantime, the trigger flag is set (TIF bit in the TIMx_SR register) and an interrupt request, or a DMA request can be sent if enabled (depending on the TIE and TDE bits in TIMx_DIER register).

The following figure shows this behavior when the auto-reload register TIMx_ARR=0x36. The delay between the rising edge on TI1 and the actual reset of the counter is due to the resynchronization circuit on TI1 input.

Figure 109. Control circuit in reset mode



Slave mode: Gated mode

The counter can be enabled depending on the level of a selected input.

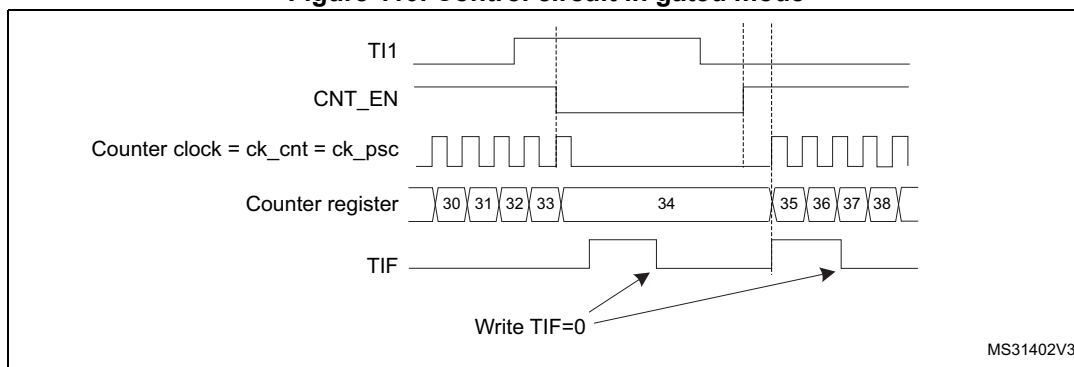
In the following example, the upcounter counts only when TI1 input is low:

- Configure the channel 1 to detect low levels on TI1. Configure the input filter duration (in this example, we don't need any filter, so we keep IC1F=0000). The capture prescaler is not used for triggering, so the user does not need to configure it. The CC1S bits select the input capture source only, CC1S=01 in TIMx_CCMR1 register. Write CC1P=1 and CC1NP='0' in TIMx_CCER register to validate the polarity (and detect low level only).
- Configure the timer in gated mode by writing SMS=101 in TIMx_SMCR register. Select TI1 as the input source by writing TS=101 in TIMx_SMCR register.
- Enable the counter by writing CEN=1 in the TIMx_CR1 register (in gated mode, the counter doesn't start if CEN=0, whatever is the trigger input level).

The counter starts counting on the internal clock as long as TI1 is low and stops as soon as TI1 becomes high. The TIF flag in the TIMx_SR register is set both when the counter starts or stops.

The delay between the rising edge on TI1 and the actual stop of the counter is due to the resynchronization circuit on TI1 input.

Figure 110. Control circuit in gated mode



Slave mode: Trigger mode

The counter can start in response to an event on a selected input.

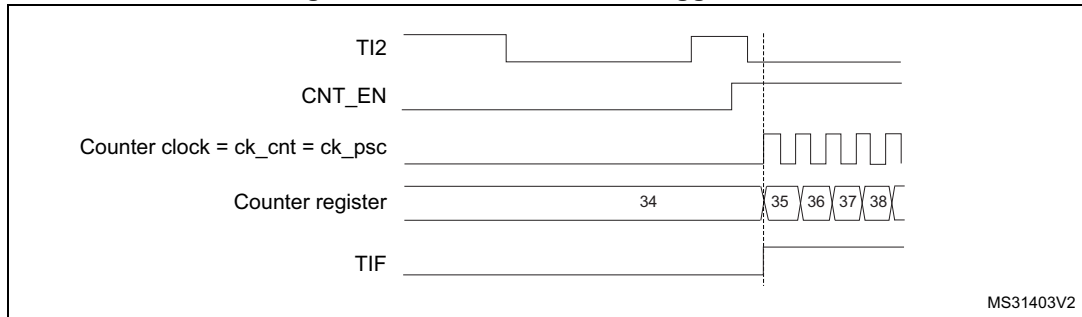
In the following example, the upcounter starts in response to a rising edge on TI2 input:

- Configure the channel 2 to detect rising edges on TI2. Configure the input filter duration (in this example, we don't need any filter, so we keep IC2F=0000). The capture prescaler is not used for triggering, so there's no need to configure it. The CC2S bits are configured to select the input capture source only, CC2S=01 in TIMx_CCMR1 register. Write CC2P=1 and CC2NP=0 in TIMx_CCER register to validate the polarity (and detect low level only).
- Configure the timer in trigger mode by writing SMS=110 in TIMx_SMCR register. Select TI2 as the input source by writing TS=110 in TIMx_SMCR register.

When a rising edge occurs on TI2, the counter starts counting on the internal clock and the TIF flag is set.

The delay between the rising edge on TI2 and the actual start of the counter is due to the resynchronization circuit on TI2 input.

Figure 111. Control circuit in trigger mode



Slave mode: external clock mode 2 + trigger mode

The external clock mode 2 can be used in addition to another slave mode (except external clock mode 1 and encoder mode). In this case, the ETR signal is used as external clock input, and another input can be selected as trigger input (in reset mode, gated mode or trigger mode). It is recommended not to select ETR as TRGI through the TS bits of TIMx_SMCR register.

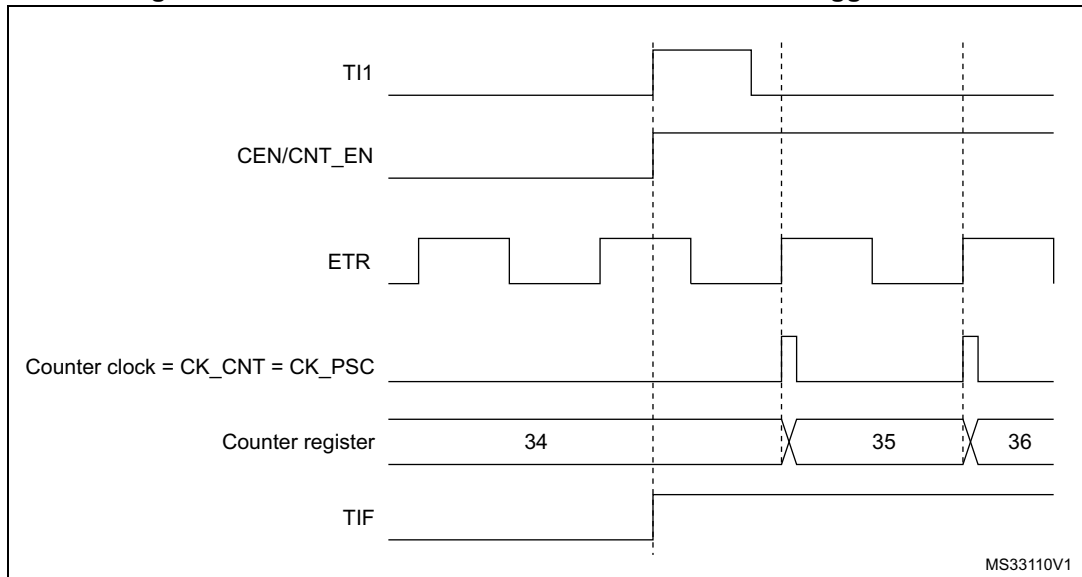
In the following example, the upcounter is incremented at each rising edge of the ETR signal as soon as a rising edge of TI1 occurs:

1. Configure the external trigger input circuit by programming the TIMx_SMCR register as follows:
 - ETF = 0000: no filter
 - ETPS = 00: prescaler disabled
 - ETP = 0: detection of rising edges on ETR and ECE=1 to enable the external clock mode 2.
2. Configure the channel 1 as follows, to detect rising edges on TI:
 - IC1F=0000: no filter.
 - The capture prescaler is not used for triggering and does not need to be configured.
 - CC1S=01 in TIMx_CCMR1 register to select only the input capture source
 - CC1P=0 and CC1NP='0' in TIMx_CCER register to validate the polarity (and detect rising edge only).
3. Configure the timer in trigger mode by writing SMS=110 in TIMx_SMCR register. Select TI1 as the input source by writing TS=101 in TIMx_SMCR register.

A rising edge on TI1 enables the counter and sets the TIF flag. The counter then counts on ETR rising edges.

The delay between the rising edge of the ETR signal and the actual reset of the counter is due to the resynchronization circuit on ETRP input.

Figure 112. Control circuit in external clock mode 2 + trigger mode



13.3.20 Timer synchronization

The TIM timers are linked together internally for timer synchronization or chaining. Refer to [Section 14.3.15: Timer synchronization](#) for details.

Note: The clock of the slave timer must be enabled prior to receive events from the master timer, and must not be changed on-the-fly while triggers are received from the master timer.

13.3.21 Debug mode

When the microcontroller enters debug mode (Cortex[®]-M3 core halted), the TIMx counter either continues to work normally or stops, depending on DBG_TIMx_STOP configuration bit in DBG module. For more details, refer to [Section 32.16.2: Debug support for timers, watchdog, bxCAN and I²C](#).

For safety purposes, when the counter is stopped (DBG_TIMx_STOP = 1 in DBGMCU_APBx_FZ register), the outputs are disabled (as if the MOE bit was reset). The outputs can either be forced to an inactive state (OSSR bit = 1), or have their control taken over by the GPIO controller (OSSR bit = 0) to force them to Hi-Z.

13.4 TIM1 and TIM8 registers

Refer to [Section 2.2](#) for a list of abbreviations used in register descriptions.

The peripheral registers must be written by half-words (16 bits) or words (32 bits). Read accesses can be done by bytes (8 bits), half-word (16 bits) or words (32 bits).

13.4.1 TIM1 and TIM8 control register 1 (TIMx_CR1)

Address offset: 0x00

Reset value: 0x0000

15	14	13	12	11	10	9	8	7	6	5	4	3	2	1	0
Reserved						CKD[1:0]		ARPE	CMS[1:0]		DIR	OPM	URS	UDIS	CEN
						rw	rw	rw	rw	rw	rw	rw	rw	rw	rw

Bits 15:10 Reserved, must be kept at reset value.

Bits 9:8 **CKD[1:0]**: Clock division

This bit-field indicates the division ratio between the timer clock (CK_INT) frequency and the dead-time and sampling clock (t_{DTS}) used by the dead-time generators and the digital filters (ETR, TIX),

00: $t_{DTS}=t_{CK_INT}$

01: $t_{DTS}=2*t_{CK_INT}$

10: $t_{DTS}=4*t_{CK_INT}$

11: Reserved, do not program this value

Bit 7 **ARPE**: Auto-reload preload enable

0: TIMx_ARR register is not buffered

1: TIMx_ARR register is buffered

Bits 6:5 **CMS[1:0]**: Center-aligned mode selection

00: Edge-aligned mode. The counter counts up or down depending on the direction bit (DIR).

01: Center-aligned mode 1. The counter counts up and down alternatively. Output compare interrupt flags of channels configured in output (CCxS=00 in TIMx_CCMRx register) are set only when the counter is counting down.

10: Center-aligned mode 2. The counter counts up and down alternatively. Output compare interrupt flags of channels configured in output (CCxS=00 in TIMx_CCMRx register) are set only when the counter is counting up.

11: Center-aligned mode 3. The counter counts up and down alternatively. Output compare interrupt flags of channels configured in output (CCxS=00 in TIMx_CCMRx register) are set both when the counter is counting up or down.

Note: It is not allowed to switch from edge-aligned mode to center-aligned mode as long as the counter is enabled (CEN=1)

Bit 4 **DIR**: Direction

0: Counter used as upcounter

1: Counter used as downcounter

Note: This bit is read only when the timer is configured in Center-aligned mode or Encoder mode.

Bit 3 **OPM**: One pulse mode

0: Counter is not stopped at update event

1: Counter stops counting at the next update event (clearing the bit CEN)

Bit 2 **URS**: Update request source

This bit is set and cleared by software to select the UEV event sources.

0: Any of the following events generate an update interrupt or DMA request if enabled.

These events can be:

- Counter overflow/underflow
- Setting the UG bit
- Update generation through the slave mode controller

1: Only counter overflow/underflow generates an update interrupt or DMA request if enabled.

Bit 1 **UDIS**: Update disable

This bit is set and cleared by software to enable/disable UEV event generation.

0: UEV enabled. The Update (UEV) event is generated by one of the following events:

- Counter overflow/underflow
- Setting the UG bit
- Update generation through the slave mode controller

Buffered registers are then loaded with their preload values.

1: UEV disabled. The Update event is not generated, shadow registers keep their value (ARR, PSC, CCRx). However the counter and the prescaler are reinitialized if the UG bit is set or if a hardware reset is received from the slave mode controller.

Bit 0 **CEN**: Counter enable

0: Counter disabled

1: Counter enabled

Note: External clock, gated mode and encoder mode can work only if the CEN bit has been previously set by software. However trigger mode can set the CEN bit automatically by hardware.

13.4.2 TIM1 and TIM8 control register 2 (TIMx_CR2)

Address offset: 0x04

Reset value: 0x0000

	15	14	13	12	11	10	9	8	7	6	5	4	3	2	1	0
Res.	OIS4	OIS3N	OIS3	OIS2N	OIS2	OIS1N	OIS1	TI1S		MMS[2:0]			CCDS	CCUS	Res.	CCPC
	rw	rw	rw	rw	rw	rw	rw	rw	rw	rw	rw	rw	rw	rw		rw

Bit 15 Reserved, must be kept at reset value.

Bit 14 **OIS4**: Output Idle state 4 (OC4 output)
refer to OIS1 bit

Bit 13 **OIS3N**: Output Idle state 3 (OC3N output)
refer to OIS1N bit

Bit 12 **OIS3**: Output Idle state 3 (OC3 output)
refer to OIS1 bit

Bit 11 **OIS2N**: Output Idle state 2 (OC2N output)
refer to OIS1N bit

Bit 10 **OIS2**: Output Idle state 2 (OC2 output)
refer to OIS1 bit



Bit 9 **OIS1N**: Output Idle state 1 (OC1N output)

- 0: OC1N=0 after a dead-time when MOE=0
- 1: OC1N=1 after a dead-time when MOE=0

Note: This bit can not be modified as long as LOCK level 1, 2 or 3 has been programmed (LOCK bits in TIMx_BDTR register).

Bit 8 **OIS1**: Output Idle state 1 (OC1 output)

- 0: OC1=0 (after a dead-time if OC1N is implemented) when MOE=0
- 1: OC1=1 (after a dead-time if OC1N is implemented) when MOE=0

Note: This bit can not be modified as long as LOCK level 1, 2 or 3 has been programmed (LOCK bits in TIMx_BDTR register).

Bit 7 **TI1S**: TI1 selection

- 0: The TIMx_CH1 pin is connected to TI1 input
- 1: The TIMx_CH1, CH2 and CH3 pins are connected to the TI1 input (XOR combination)

Bits 6:4 **MMS[2:0]**: Master mode selection

These bits allow to select the information to be sent in master mode to slave timers for synchronization (TRGO). The combination is as follows:

000: **Reset** - the UG bit from the TIMx_EGR register is used as trigger output (TRGO). If the reset is generated by the trigger input (slave mode controller configured in reset mode) then the signal on TRGO is delayed compared to the actual reset.

001: **Enable** - the Counter Enable signal CNT_EN is used as trigger output (TRGO). It is useful to start several timers at the same time or to control a window in which a slave timer is enable. The Counter Enable signal is generated by a logic OR between CEN control bit and the trigger input when configured in gated mode. When the Counter Enable signal is controlled by the trigger input, there is a delay on TRGO, except if the master/slave mode is selected (see the MSM bit description in TIMx_SMCR register).

010: **Update** - The update event is selected as trigger output (TRGO). For instance a master timer can then be used as a prescaler for a slave timer.

011: **Compare Pulse** - The trigger output send a positive pulse when the CC1IF flag is to be set (even if it was already high), as soon as a capture or a compare match occurred. (TRGO).

100: **Compare** - OC1REF signal is used as trigger output (TRGO)

101: **Compare** - OC2REF signal is used as trigger output (TRGO)

110: **Compare** - OC3REF signal is used as trigger output (TRGO)

111: **Compare** - OC4REF signal is used as trigger output (TRGO)

Note: The clock of the slave timer and ADC must be enabled prior to receiving events from the master timer, and must not be changed on-the-fly while triggers are received from the master timer.

Bit 3 **CCDS**: Capture/compare DMA selection

- 0: CCx DMA request sent when CCx event occurs
- 1: CCx DMA requests sent when update event occurs

Bit 2 **CCUS**: Capture/compare control update selection

- 0: When capture/compare control bits are preloaded (CCPC=1), they are updated by setting the COMG bit only
- 1: When capture/compare control bits are preloaded (CCPC=1), they are updated by setting the COMG bit or when an rising edge occurs on TRGI

Note: This bit acts only on channels that have a complementary output.

Bit 1 Reserved, must be kept at reset value.

Bit 0 **CCPC**: Capture/compare preloaded control
 0: CCxE, CCxNE and OCxM bits are not preloaded
 1: CCxE, CCxNE and OCxM bits are preloaded, after having been written, they are updated only when a commutation event (COM) occurs (COMG bit set or rising edge detected on TRGI, depending on the CCUS bit).

Note: This bit acts only on channels that have a complementary output.

13.4.3 TIM1 and TIM8 slave mode control register (TIMx_SMCR)

Address offset: 0x08

Reset value: 0x0000

15	14	13	12	11	10	9	8	7	6	5	4	3	2	1	0
ETP	ECE	ETPS[1:0]		ETF[3:0]				MSM	TS[2:0]			Res.	SMS[2:0]		
rw	rw	rw	rw	rw	rw	rw	rw	rw	rw	rw	rw	Res.	rw	rw	rw

Bit 15 **ETP**: External trigger polarity
 This bit selects whether ETR or \overline{ETR} is used for trigger operations
 0: ETR is non-inverted, active at high level or rising edge.
 1: ETR is inverted, active at low level or falling edge.

Bit 14 **ECE**: External clock enable
 This bit enables External clock mode 2.
 0: External clock mode 2 disabled
 1: External clock mode 2 enabled. The counter is clocked by any active edge on the ETRF signal.

*Note: 1: Setting the ECE bit has the same effect as selecting external clock mode 1 with TRGI connected to ETRF (SMS=111 and TS=111).
 2: It is possible to simultaneously use external clock mode 2 with the following slave modes: reset mode, gated mode and trigger mode. Nevertheless, TRGI must not be connected to ETRF in this case (TS bits must not be 111).
 3: If external clock mode 1 and external clock mode 2 are enabled at the same time, the external clock input is ETRF.*

Bits 13:12 **ETPS[1:0]**: External trigger prescaler
 External trigger signal ETRP frequency must be at most 1/4 of TIMxCLK frequency. A prescaler can be enabled to reduce ETRP frequency. It is useful when inputting fast external clocks.
 00: Prescaler OFF
 01: ETRP frequency divided by 2
 10: ETRP frequency divided by 4
 11: ETRP frequency divided by 8

Bits 11:8 **ETF[3:0]**: External trigger filter

This bit-field then defines the frequency used to sample ETRP signal and the length of the digital filter applied to ETRP. The digital filter is made of an event counter in which N consecutive events are needed to validate a transition on the output:

0000: No filter, sampling is done at f_{DTS}

0001: $f_{SAMPLING}=f_{CK_INT}$, N=2

0010: $f_{SAMPLING}=f_{CK_INT}$, N=4

0011: $f_{SAMPLING}=f_{CK_INT}$, N=8

0100: $f_{SAMPLING}=f_{DTS}/2$, N=6

0101: $f_{SAMPLING}=f_{DTS}/2$, N=8

0110: $f_{SAMPLING}=f_{DTS}/4$, N=6

0111: $f_{SAMPLING}=f_{DTS}/4$, N=8

1000: $f_{SAMPLING}=f_{DTS}/8$, N=6

1001: $f_{SAMPLING}=f_{DTS}/8$, N=8

1010: $f_{SAMPLING}=f_{DTS}/16$, N=5

1011: $f_{SAMPLING}=f_{DTS}/16$, N=6

1100: $f_{SAMPLING}=f_{DTS}/16$, N=8

1101: $f_{SAMPLING}=f_{DTS}/32$, N=5

1110: $f_{SAMPLING}=f_{DTS}/32$, N=6

1111: $f_{SAMPLING}=f_{DTS}/32$, N=8

Bit 7 **MSM**: Master/slave mode

0: No action

1: The effect of an event on the trigger input (TRGI) is delayed to allow a perfect synchronization between the current timer and its slaves (through TRGO). It is useful if we want to synchronize several timers on a single external event.

Bits 6:4 **TS[2:0]**: Trigger selection

This bit-field selects the trigger input to be used to synchronize the counter.

000: Internal Trigger 0 (ITR0)

001: Internal Trigger 1 (ITR1)

010: Internal Trigger 2 (ITR2)

011: Internal Trigger 3 (ITR3)

100: T11 Edge Detector (TI1F_ED)

101: Filtered Timer Input 1 (TI1FP1)

110: Filtered Timer Input 2 (TI2FP2)

111: External Trigger input (ETRF)

See [Table 56](#) for more details on ITRx meaning for each Timer.

Note: These bits must be changed only when they are not used (e.g. when SMS=000) to avoid wrong edge detections at the transition.

Bit 3 Reserved, must be kept at reset value.

Bits 2:0 **SMS**: Slave mode selection

When external signals are selected the active edge of the trigger signal (TRGI) is linked to the polarity selected on the external input (see Input Control register and Control register description).

000: Slave mode disabled - if CEN = '1' then the prescaler is clocked directly by the internal clock.

001: Encoder mode 1 - Counter counts up/down on T11FP1 edge depending on TI2FP2 level.

010: Encoder mode 2 - Counter counts up/down on TI2FP2 edge depending on T11FP1 level.

011: Encoder mode 3 - Counter counts up/down on both T11FP1 and TI2FP2 edges depending on the level of the other input.

100: Reset mode - Rising edge of the selected trigger input (TRGI) reinitializes the counter and generates an update of the registers.

101: Gated mode - The counter clock is enabled when the trigger input (TRGI) is high. The counter stops (but is not reset) as soon as the trigger becomes low. Both start and stop of the counter are controlled.

110: Trigger mode - The counter starts at a rising edge of the trigger TRGI (but it is not reset). Only the start of the counter is controlled.

111: External Clock mode 1 - Rising edges of the selected trigger (TRGI) clock the counter.

Note: The gated mode must not be used if TI1F_ED is selected as the trigger input (TS='100'). Indeed, TI1F_ED outputs 1 pulse for each transition on TI1F, whereas the gated mode checks the level of the trigger signal.

The clock of the slave timer must be enabled prior to receiving events from the master timer, and must not be changed on-the-fly while triggers are received from the master timer.

Table 56. TIMx Internal trigger connection

Slave TIM	ITR0 (TS = 000)	ITR1 (TS = 001)	ITR2 (TS = 010)	ITR3 (TS = 011)
TIM1	TIM5_TRGO	TIM2_TRGO	TIM3_TRGO	TIM4_TRGO
TIM8	TIM1_TRGO	TIM2_TRGO	TIM4_TRGO	TIM5_TRGO

13.4.4 TIM1 and TIM8 DMA/interrupt enable register (TIMx_DIER)

Address offset: 0x0C

Reset value: 0x0000

	15	14	13	12	11	10	9	8	7	6	5	4	3	2	1	0
Res.	TDE	COMDE	CC4DE	CC3DE	CC2DE	CC1DE	UDE	BIE	TIE	COMIE	CC4IE	CC3IE	CC2IE	CC1IE	UIE	
	r/w	r/w	r/w	r/w	r/w	r/w	r/w	r/w	r/w	r/w	r/w	r/w	r/w	r/w	r/w	r/w

Bit 15 Reserved, must be kept at reset value.

Bit 14 **TDE**: Trigger DMA request enable

0: Trigger DMA request disabled

1: Trigger DMA request enabled

Bit 13 **COMDE**: COM DMA request enable

0: COM DMA request disabled

1: COM DMA request enabled

- Bit 12 **CC4DE**: Capture/Compare 4 DMA request enable
0: CC4 DMA request disabled
1: CC4 DMA request enabled
- Bit 11 **CC3DE**: Capture/Compare 3 DMA request enable
0: CC3 DMA request disabled
1: CC3 DMA request enabled
- Bit 10 **CC2DE**: Capture/Compare 2 DMA request enable
0: CC2 DMA request disabled
1: CC2 DMA request enabled
- Bit 9 **CC1DE**: Capture/Compare 1 DMA request enable
0: CC1 DMA request disabled
1: CC1 DMA request enabled
- Bit 8 **UDE**: Update DMA request enable
0: Update DMA request disabled
1: Update DMA request enabled
- Bit 7 **BIE**: Break interrupt enable
0: Break interrupt disabled
1: Break interrupt enabled
- Bit 6 **TIE**: Trigger interrupt enable
0: Trigger interrupt disabled
1: Trigger interrupt enabled
- Bit 5 **COMIE**: COM interrupt enable
0: COM interrupt disabled
1: COM interrupt enabled
- Bit 4 **CC4IE**: Capture/Compare 4 interrupt enable
0: CC4 interrupt disabled
1: CC4 interrupt enabled
- Bit 3 **CC3IE**: Capture/Compare 3 interrupt enable
0: CC3 interrupt disabled
1: CC3 interrupt enabled
- Bit 2 **CC2IE**: Capture/Compare 2 interrupt enable
0: CC2 interrupt disabled
1: CC2 interrupt enabled
- Bit 1 **CC1IE**: Capture/Compare 1 interrupt enable
0: CC1 interrupt disabled
1: CC1 interrupt enabled
- Bit 0 **UIE**: Update interrupt enable
0: Update interrupt disabled
1: Update interrupt enabled

13.4.5 TIM1 and TIM8 status register (TIMx_SR)

Address offset: 0x10

Reset value: 0x0000

15	14	13	12	11	10	9	8	7	6	5	4	3	2	1	0
Reserved		CC4OF	CC3OF	CC2OF	CC1OF	Res.	BIF	TIF	COMIF	CC4IF	CC3IF	CC2IF	CC1IF	UIF	
		rc_w0	rc_w0	rc_w0	rc_w0	Res.	rc_w0	rc_w0	rc_w0	rc_w0	rc_w0	rc_w0	rc_w0	rc_w0	rc_w0

Bits 15:13 Reserved, must be kept at reset value.

Bit 12 **CC4OF**: Capture/Compare 4 overcapture flag
refer to CC1OF description

Bit 11 **CC3OF**: Capture/Compare 3 overcapture flag
refer to CC1OF description

Bit 10 **CC2OF**: Capture/Compare 2 overcapture flag
refer to CC1OF description

Bit 9 **CC1OF**: Capture/Compare 1 overcapture flag
This flag is set by hardware only when the corresponding channel is configured in input capture mode. It is cleared by software by writing it to '0'.
0: No overcapture has been detected.
1: The counter value has been captured in TIMx_CCR1 register while CC1IF flag was already set

Bit 8 Reserved, must be kept at reset value.

Bit 7 **BIF**: Break interrupt flag
This flag is set by hardware as soon as the break input goes active. It can be cleared by software if the break input is not active.
0: No break event occurred.
1: An active level has been detected on the break input.

Bit 6 **TIF**: Trigger interrupt flag
This flag is set by hardware on trigger event (active edge detected on TRGI input when the slave mode controller is enabled in all modes but gated mode. It is set when the counter starts or stops when gated mode is selected. It is cleared by software.
0: No trigger event occurred.
1: Trigger interrupt pending.

Bit 5 **COMIF**: COM interrupt flag
This flag is set by hardware on COM event (when Capture/compare Control bits - CCxE, CCxNE, OCxM - have been updated). It is cleared by software.
0: No COM event occurred.
1: COM interrupt pending.

Bit 4 **CC4IF**: Capture/Compare 4 interrupt flag
refer to CC1IF description

Bit 3 **CC3IF**: Capture/Compare 3 interrupt flag
refer to CC1IF description

Bit 2 **CC2IF**: Capture/Compare 2 interrupt flag
refer to CC1IF description

Bit 1 **CC1IF**: Capture/Compare 1 interrupt flag

If channel CC1 is configured as output:

This flag is set by hardware when the counter matches the compare value, with some exception in center-aligned mode (refer to the CMS bits in the TIMx_CR1 register description). It is cleared by software.

0: No match.

1: The content of the counter TIMx_CNT matches the content of the TIMx_CCR1 register. When the contents of TIMx_CCR1 are greater than the contents of TIMx_ARR, the CC1IF bit goes high on the counter overflow (in upcounting and up/down-counting modes) or underflow (in downcounting mode)

If channel CC1 is configured as input:

This bit is set by hardware on a capture. It is cleared by software or by reading the TIMx_CCR1 register.

0: No input capture occurred

1: The counter value has been captured in TIMx_CCR1 register (An edge has been detected on IC1 which matches the selected polarity)

Bit 0 **UIF**: Update interrupt flag

This bit is set by hardware on an update event. It is cleared by software.

0: No update occurred.

1: Update interrupt pending. This bit is set by hardware when the registers are updated:

- At overflow or underflow regarding the repetition counter value (update if repetition counter = 0) and if the UDIS=0 in the TIMx_CR1 register.
- When CNT is reinitialized by software using the UG bit in TIMx_EGR register, if URS=0 and UDIS=0 in the TIMx_CR1 register.
- When CNT is reinitialized by a trigger event (refer to [Section 13.4.3: TIM1 and TIM8 slave mode control register \(TIMx_SMCR\)](#)), if URS=0 and UDIS=0 in the TIMx_CR1 register.

13.4.6 TIM1 and TIM8 event generation register (TIMx_EGR)

Address offset: 0x14

Reset value: 0x0000

15	14	13	12	11	10	9	8	7	6	5	4	3	2	1	0
Reserved								BG	TG	COMG	CC4G	CC3G	CC2G	CC1G	UG
								w	w	w	w	w	w	w	w

Bits 15:8 Reserved, must be kept at reset value.

Bit 7 **BG**: Break generation

This bit is set by software in order to generate an event, it is automatically cleared by hardware.

0: No action

1: A break event is generated. MOE bit is cleared and BIF flag is set. Related interrupt or DMA transfer can occur if enabled.

Bit 6 **TG**: Trigger generation

This bit is set by software in order to generate an event, it is automatically cleared by hardware.

0: No action

1: The TIF flag is set in TIMx_SR register. Related interrupt or DMA transfer can occur if enabled.

- Bit 5 **COMG**: Capture/Compare control update generation
 This bit can be set by software, it is automatically cleared by hardware
 0: No action
 1: When CCPC bit is set, it allows to update CCxE, CCxNE and OCxM bits
Note: This bit acts only on channels having a complementary output.
- Bit 4 **CC4G**: Capture/Compare 4 generation
 refer to CC1G description
- Bit 3 **CC3G**: Capture/Compare 3 generation
 refer to CC1G description
- Bit 2 **CC2G**: Capture/Compare 2 generation
 refer to CC1G description
- Bit 1 **CC1G**: Capture/Compare 1 generation
 This bit is set by software in order to generate an event, it is automatically cleared by hardware.
 0: No action
 1: A capture/compare event is generated on channel 1:
If channel CC1 is configured as output:
 CC1IF flag is set, Corresponding interrupt or DMA request is sent if enabled.
If channel CC1 is configured as input:
 The current value of the counter is captured in TIMx_CCR1 register. The CC1IF flag is set, the corresponding interrupt or DMA request is sent if enabled. The CC1OF flag is set if the CC1IF flag was already high.
- Bit 0 **UG**: Update generation
 This bit can be set by software, it is automatically cleared by hardware.
 0: No action
 1: Reinitialize the counter and generates an update of the registers. Note that the prescaler counter is cleared too (anyway the prescaler ratio is not affected). The counter is cleared if the center-aligned mode is selected or if DIR=0 (upcounting), else it takes the auto-reload value (TIMx_ARR) if DIR=1 (downcounting).

13.4.7 TIM1 and TIM8 capture/compare mode register 1 (TIMx_CCMR1)

Address offset: 0x18

Reset value: 0x0000

The channels can be used in input (capture mode) or in output (compare mode). The direction of a channel is defined by configuring the corresponding CCxS bits. All the other bits of this register have a different function in input and in output mode. For a given bit, OCxx describes its function when the channel is configured in output, ICxx describes its function when the channel is configured in input. So the user must take care that the same bit can have a different meaning for the input stage and for the output stage.

15	14	13	12	11	10	9	8	7	6	5	4	3	2	1	0
OC2 CE	OC2M[2:0]			OC2 PE	OC2 FE	CC2S[1:0]		OC1 CE	OC1M[2:0]			OC1 PE	OC1 FE	CC1S[1:0]	
IC2F[3:0]				IC2PSC[1:0]				IC1F[3:0]				IC1PSC[1:0]			
rw	rw	rw	rw	rw	rw	rw	rw	rw	rw	rw	rw	rw	rw	rw	rw

Output compare mode:

Bit 15 **OC2CE**: Output compare 2 clear enable

Bits 14:12 **OC2M[2:0]**: Output compare 2 mode

Bit 11 **OC2PE**: Output compare 2 preload enable

Bit 10 **OC2FE**: Output compare 2 fast enable

Bits 9:8 **CC2S[1:0]**: Capture/Compare 2 selection

This bit-field defines the direction of the channel (input/output) as well as the used input.

00: CC2 channel is configured as output

01: CC2 channel is configured as input, IC2 is mapped on TI2

10: CC2 channel is configured as input, IC2 is mapped on TI1

11: CC2 channel is configured as input, IC2 is mapped on TRC. This mode is working only if an internal trigger input is selected through the TS bit (TIMx_SMCR register)

Note: CC2S bits are writable only when the channel is OFF (CC2E = '0' in TIMx_CCER).

Bit 7 **OC1CE**: Output compare 1 clear enable

OC1CE: Output compare 1 Clear Enable

0: OC1Ref is not affected by the ETRF Input

1: OC1Ref is cleared as soon as a High level is detected on ETRF input

Bits 6:4 **OC1M**: Output compare 1 mode

These bits define the behavior of the output reference signal OC1REF from which OC1 and OC1N are derived. OC1REF is active high whereas OC1 and OC1N active level depends on CC1P and CC1NP bits.

000: Frozen - The comparison between the output compare register TIMx_CCR1 and the counter TIMx_CNT has no effect on the outputs.(this mode is used to generate a timing base).

001: Set channel 1 to active level on match. OC1REF signal is forced high when the counter TIMx_CNT matches the capture/compare register 1 (TIMx_CCR1).

010: Set channel 1 to inactive level on match. OC1REF signal is forced low when the counter TIMx_CNT matches the capture/compare register 1 (TIMx_CCR1).

011: Toggle - OC1REF toggles when TIMx_CNT=TIMx_CCR1.

100: Force inactive level - OC1REF is forced low.

101: Force active level - OC1REF is forced high.

110: PWM mode 1 - In upcounting, channel 1 is active as long as TIMx_CNT<TIMx_CCR1 else inactive. In downcounting, channel 1 is inactive (OC1REF='0') as long as TIMx_CNT>TIMx_CCR1 else active (OC1REF='1').

111: PWM mode 2 - In upcounting, channel 1 is inactive as long as TIMx_CNT<TIMx_CCR1 else active. In downcounting, channel 1 is active as long as TIMx_CNT>TIMx_CCR1 else inactive.

Note: 1: These bits can not be modified as long as LOCK level 3 has been programmed (LOCK bits in TIMx_BDTR register) and CC1S='00' (the channel is configured in output).

2: In PWM mode 1 or 2, the OCREF level changes only when the result of the comparison changes or when the output compare mode switches from "frozen" mode to "PWM" mode.

3: On channels having a complementary output, this bit field is preloaded. If the CCPC bit is set in the TIMx_CR2 register then the OC1M active bits take the new value from the preloaded bits only when a COM event is generated.

Bit 3 **OC1PE**: Output compare 1 preload enable

0: Preload register on TIMx_CCR1 disabled. TIMx_CCR1 can be written at anytime, the new value is taken in account immediately.

1: Preload register on TIMx_CCR1 enabled. Read/Write operations access the preload register. TIMx_CCR1 preload value is loaded in the active register at each update event.

Note: These bits can not be modified as long as LOCK level 3 has been programmed (LOCK bits in TIMx_BDTR register) and CC1S='00' (the channel is configured in output).

Bit 2 **OC1FE**: Output compare 1 fast enable

This bit is used to accelerate the effect of an event on the trigger in input on the CC output.

0: CC1 behaves normally depending on counter and CCR1 values even when the trigger is ON. The minimum delay to activate CC1 output when an edge occurs on the trigger input is 5 clock cycles.

1: An active edge on the trigger input acts like a compare match on CC1 output. Then, OC is set to the compare level independently from the result of the comparison. Delay to sample the trigger input and to activate CC1 output is reduced to 3 clock cycles. OC1FE acts only if the channel is configured in PWM1 or PWM2 mode.

Bits 1:0 **CC1S**: Capture/Compare 1 selection

This bit-field defines the direction of the channel (input/output) as well as the used input.

00: CC1 channel is configured as output

01: CC1 channel is configured as input, IC1 is mapped on TI1

10: CC1 channel is configured as input, IC1 is mapped on TI2

11: CC1 channel is configured as input, IC1 is mapped on TRC. This mode is working only if an internal trigger input is selected through TS bit (TIMx_SMCR register)

Note: CC1S bits are writable only when the channel is OFF (CC1E = '0' in TIMx_CCER).

Input capture mode

Bits 15:12 **IC2F**: Input capture 2 filter

Bits 11:10 **IC2PSC[1:0]**: Input capture 2 prescaler

Bits 9:8 **CC2S**: Capture/Compare 2 selection

This bit-field defines the direction of the channel (input/output) as well as the used input.

00: CC2 channel is configured as output

01: CC2 channel is configured as input, IC2 is mapped on TI2

10: CC2 channel is configured as input, IC2 is mapped on TI1

11: CC2 channel is configured as input, IC2 is mapped on TRC. This mode is working only if an internal trigger input is selected through TS bit (TIMx_SMCR register)

Note: CC2S bits are writable only when the channel is OFF (CC2E = '0' in TIMx_CCER).

Bits 7:4 **IC1F[3:0]**: Input capture 1 filter

This bit-field defines the frequency used to sample TI1 input and the length of the digital filter applied to TI1. The digital filter is made of an event counter in which N consecutive events are needed to validate a transition on the output:

- 0000: No filter, sampling is done at f_{DTS}
- 0001: $f_{SAMPLING}=f_{CK_INT}$, N=2
- 0010: $f_{SAMPLING}=f_{CK_INT}$, N=4
- 0011: $f_{SAMPLING}=f_{CK_INT}$, N=8
- 0100: $f_{SAMPLING}=f_{DTS}/2$, N=6
- 0101: $f_{SAMPLING}=f_{DTS}/2$, N=8
- 0110: $f_{SAMPLING}=f_{DTS}/4$, N=6
- 0111: $f_{SAMPLING}=f_{DTS}/4$, N=8
- 1000: $f_{SAMPLING}=f_{DTS}/8$, N=6
- 1001: $f_{SAMPLING}=f_{DTS}/8$, N=8
- 1010: $f_{SAMPLING}=f_{DTS}/16$, N=5
- 1011: $f_{SAMPLING}=f_{DTS}/16$, N=6
- 1100: $f_{SAMPLING}=f_{DTS}/16$, N=8
- 1101: $f_{SAMPLING}=f_{DTS}/32$, N=5
- 1110: $f_{SAMPLING}=f_{DTS}/32$, N=6
- 1111: $f_{SAMPLING}=f_{DTS}/32$, N=8

Bits 3:2 **IC1PSC**: Input capture 1 prescaler

This bit-field defines the ratio of the prescaler acting on CC1 input (IC1). The prescaler is reset as soon as $CC1E='0'$ (TIMx_CCER register).

- 00: no prescaler, capture is done each time an edge is detected on the capture input
- 01: capture is done once every 2 events
- 10: capture is done once every 4 events
- 11: capture is done once every 8 events

Bits 1:0 **CC1S**: Capture/Compare 1 Selection

This bit-field defines the direction of the channel (input/output) as well as the used input.

- 00: CC1 channel is configured as output
- 01: CC1 channel is configured as input, IC1 is mapped on TI1
- 10: CC1 channel is configured as input, IC1 is mapped on TI2
- 11: CC1 channel is configured as input, IC1 is mapped on TRC. This mode is working only if an internal trigger input is selected through TS bit (TIMx_SMCR register)

Note: CC1S bits are writable only when the channel is OFF ($CC1E = '0'$ in TIMx_CCER).

13.4.8 TIM1 and TIM8 capture/compare mode register 2 (TIMx_CCMR2)

Address offset: 0x1C

Reset value: 0x0000

Refer to the above CCMR1 register description.

15	14	13	12	11	10	9	8	7	6	5	4	3	2	1	0
OC4 CE	OC4M[2:0]			OC4 PE	OC4 FE	CC4S[1:0]		OC3 CE.	OC3M[2:0]			OC3 PE	OC3 FE	CC3S[1:0]	
IC4F[3:0]				IC4PSC[1:0]				IC3F[3:0]				IC3PSC[1:0]			
r/w	r/w	r/w	r/w	r/w	r/w	r/w	r/w	r/w	r/w	r/w	r/w	r/w	r/w	r/w	r/w

Output compare mode

Bit 15 **OC4CE**: Output compare 4 clear enable

Bits 14:12 **OC4M**: Output compare 4 mode

Bit 11 **OC4PE**: Output compare 4 preload enable

Bit 10 **OC4FE**: Output compare 4 fast enable

Bits 9:8 **CC4S**: Capture/Compare 4 selection

This bit-field defines the direction of the channel (input/output) as well as the used input.

00: CC4 channel is configured as output

01: CC4 channel is configured as input, IC4 is mapped on TI4

10: CC4 channel is configured as input, IC4 is mapped on TI3

11: CC4 channel is configured as input, IC4 is mapped on TRC. This mode is working only if an internal trigger input is selected through TS bit (TIMx_SMCR register)

Note: CC4S bits are writable only when the channel is OFF (CC4E = '0' in TIMx_CCER).

Bit 7 **OC3CE**: Output compare 3 clear enable

Bits 6:4 **OC3M**: Output compare 3 mode

Bit 3 **OC3PE**: Output compare 3 preload enable

Bit 2 **OC3FE**: Output compare 3 fast enable

Bits 1:0 **CC3S**: Capture/Compare 3 selection

This bit-field defines the direction of the channel (input/output) as well as the used input.

00: CC3 channel is configured as output

01: CC3 channel is configured as input, IC3 is mapped on TI3

10: CC3 channel is configured as input, IC3 is mapped on TI4

11: CC3 channel is configured as input, IC3 is mapped on TRC. This mode is working only if an internal trigger input is selected through TS bit (TIMx_SMCR register)

Note: CC3S bits are writable only when the channel is OFF (CC3E = '0' in TIMx_CCER).

Input capture mode

Bits 15:12 **IC4F**: Input capture 4 filter

Bits 11:10 **IC4PSC**: Input capture 4 prescaler

Bits 9:8 **CC4S**: Capture/Compare 4 selection

This bit-field defines the direction of the channel (input/output) as well as the used input.

00: CC4 channel is configured as output

01: CC4 channel is configured as input, IC4 is mapped on TI4

10: CC4 channel is configured as input, IC4 is mapped on TI3

11: CC4 channel is configured as input, IC4 is mapped on TRC. This mode is working only if an internal trigger input is selected through TS bit (TIMx_SMCR register)

Note: CC4S bits are writable only when the channel is OFF (CC4E = '0' in TIMx_CCER).

Bits 7:4 **IC3F**: Input capture 3 filter

Bits 3:2 **IC3PSC**: Input capture 3 prescaler

Bits 1:0 **CC3S**: Capture/compare 3 selection

This bit-field defines the direction of the channel (input/output) as well as the used input.

00: CC3 channel is configured as output

01: CC3 channel is configured as input, IC3 is mapped on TI3

10: CC3 channel is configured as input, IC3 is mapped on TI4

11: CC3 channel is configured as input, IC3 is mapped on TRC. This mode is working only if an internal trigger input is selected through TS bit (TIMx_SMCR register)

Note: CC3S bits are writable only when the channel is OFF (CC3E = '0' in TIMx_CCER).

13.4.9 TIM1 and TIM8 capture/compare enable register (TIMx_CCER)

Address offset: 0x20

Reset value: 0x0000

15	14	13	12	11	10	9	8	7	6	5	4	3	2	1	0
CC4NP	Res.	CC4P	CC4E	CC3NP	CC3NE	CC3P	CC3E	CC2NP	CC2NE	CC2P	CC2E	CC1NP	CC1NE	CC1P	CC1E
r/w		r/w	r/w	r/w	r/w	r/w	r/w	r/w	r/w	r/w	r/w	r/w	r/w	r/w	r/w

Bit 15 **CC4NP**: Capture/Compare 4 complementary output polarity
refer to CC1NP description

Bit 14 Reserved, must be kept at reset value.

Bit 13 **CC4P**: Capture/Compare 4 output polarity
refer to CC1P description

Bit 12 **CC4E**: Capture/Compare 4 output enable
refer to CC1E description

Bit 11 **CC3NP**: Capture/Compare 3 complementary output polarity
refer to CC1NP description

Bit 10 **CC3NE**: Capture/Compare 3 complementary output enable
refer to CC1NE description

Bit 9 **CC3P**: Capture/Compare 3 output polarity
refer to CC1P description

Bit 8 **CC3E**: Capture/Compare 3 output enable
refer to CC1E description

Bit 7 **CC2NP**: Capture/Compare 2 complementary output polarity
refer to CC1NP description

Bit 6 **CC2NE**: Capture/Compare 2 complementary output enable
refer to CC1NE description

Bit 5 **CC2P**: Capture/Compare 2 output polarity
refer to CC1P description

Bit 4 **CC2E**: Capture/Compare 2 output enable
refer to CC1E description

Bit 3 **CC1NP**: Capture/Compare 1 complementary output polarity

CC1 channel configured as output:

0: OC1N active high.

1: OC1N active low.

CC1 channel configured as input:

This bit is used in conjunction with CC1P to define the polarity of TI1FP1 and TI2FP1. Refer to CC1P description.

Note: On channels having a complementary output, this bit is preloaded. If the CCPC bit is set in the TIMx_CR2 register then the CC1NP active bit takes the new value from the preloaded bit only when a Commutation event is generated.

Note: This bit is not writable as soon as LOCK level 2 or 3 has been programmed (LOCK bits in TIMx_BDTR register) and CC1S="00" (the channel is configured in output).

Bit 2 **CC1NE**: Capture/Compare 1 complementary output enable

0: Off - OC1N is not active. OC1N level is then function of MOE, OSSI, OSSR, OIS1, OIS1N and CC1E bits.

1: On - OC1N signal is output on the corresponding output pin depending on MOE, OSSI, OSSR, OIS1, OIS1N and CC1E bits.

Note: On channels having a complementary output, this bit is preloaded. If the CCPC bit is set in the TIMx_CR2 register then the CC1NE active bit takes the new value from the preloaded bit only when a Commutation event is generated.

Bit 1 **CC1P**: Capture/Compare 1 output polarity

CC1 channel configured as output:

0: OC1 active high

1: OC1 active low

CC1 channel configured as input:

CC1NP/CC1P bits select the active polarity of TI1FP1 and TI2FP1 for trigger or capture operations.

00: non-inverted/rising edge

The circuit is sensitive to TIxFP1 rising edge (capture or trigger operations in reset, external clock or trigger mode), TIxFP1 is not inverted (trigger operation in gated mode or encoder mode).

01: inverted/falling edge

The circuit is sensitive to TIxFP1 falling edge (capture or trigger operations in reset, external clock or trigger mode), TIxFP1 is inverted (trigger operation in gated mode or encoder mode).

10: reserved, do not use this configuration.

11: non-inverted/both edges

The circuit is sensitive to both TIxFP1 rising and falling edges (capture or trigger operations in reset, external clock or trigger mode), TIxFP1 is not inverted (trigger operation in gated mode). This configuration must not be used in encoder mode.

Note: On channels having a complementary output, this bit is preloaded. If the CCPC bit is set in the TIMx_CR2 register then the CC1P active bit takes the new value from the preloaded bit only when a Commutation event is generated.

Note: This bit is not writable as soon as LOCK level 2 or 3 has been programmed (LOCK bits in TIMx_BDTR register).

Bit 0 **CC1E**: Capture/Compare 1 output enable

CC1 channel configured as output:

0: Off - OC1 is not active. OC1 level is then function of MOE, OSSI, OSSI, OIS1, OIS1N and CC1NE bits.

1: On - OC1 signal is output on the corresponding output pin depending on MOE, OSSI, OSSI, OIS1, OIS1N and CC1NE bits.

CC1 channel configured as input:

This bit determines if a capture of the counter value can actually be done into the input capture/compare register 1 (TIMx_CCR1) or not.

0: Capture disabled.

1: Capture enabled.

Note: On channels having a complementary output, this bit is preloaded. If the CCPC bit is set in the TIMx_CR2 register then the CC1E active bit takes the new value from the preloaded bit only when a Commutation event is generated.

Table 57. Output control bits for complementary OCx and OCxN channels with break feature

Control bits					Output states ⁽¹⁾	
MOE bit	OSSI bit	OSSR bit	CCxE bit	CCxNE bit	OCx output state	OCxN output state
1	X	0	0	0	Output Disabled (not driven by the timer), OCx=0, OCx_EN=0	Output Disabled (not driven by the timer), OCxN=0, OCxN_EN=0
		0	0	1	Output Disabled (not driven by the timer), OCx=0, OCx_EN=0	OCxREF + Polarity OCxN=OCxREF xor CCxNP, OCxN_EN=1
		0	1	0	OCxREF + Polarity OCx=OCxREF xor CCxP, OCx_EN=1	Output Disabled (not driven by the timer) OCxN=0, OCxN_EN=0
		0	1	1	OCREF + Polarity + dead-time OCx_EN=1	Complementary to OCREF (not OCREF) + Polarity + dead-time OCxN_EN=1
		1	0	0	Output Disabled (not driven by the timer) OCx=CCxP, OCx_EN=0	Output Disabled (not driven by the timer) OCxN=CCxNP, OCxN_EN=0
		1	0	1	Off-State (output enabled with inactive state) OCx=CCxP, OCx_EN=1	OCxREF + Polarity OCxN=OCxREF xor CCxNP, OCxN_EN=1
		1	1	0	OCxREF + Polarity OCx=OCxREF xor CCxP, OCx_EN=1	Off-State (output enabled with inactive state) OCxN=CCxNP, OCxN_EN=1
		1	1	1	OCREF + Polarity + dead-time OCx_EN=1	Complementary to OCREF (not OCREF) + Polarity + dead-time OCxN_EN=1

Table 57. Output control bits for complementary OCx and OCxN channels with break feature (continued)

Control bits					Output states ⁽¹⁾	
MOE bit	OSSI bit	OSSR bit	CCxE bit	CCxNE bit	OCx output state	OCxN output state
0	0	X	X	X	Output disabled (not driven by the timer anymore). The output state is defined by the GPIO controller and can be High, Low or Hi-Z.	
	1		0	0		
			0	1	Off-State (output enabled with inactive state) Asynchronously: OCx=CCxP, OCx_EN=1, OCxN=CCxNP, OCxN_EN=1 Then if the clock is present: OCx=OISx and OCxN=OISxN after a dead-time, assuming that OISx and OISxN do not correspond to OCx and OCxN both in active state	
			1	0		
	1		1			

1. When both outputs of a channel are not used (CCxE = CCxNE = 0), the OISx, OISxN, CCxP and CCxNP bits must be kept cleared.

Note: The state of the external I/O pins connected to the complementary OCx and OCxN channels depends on the OCx and OCxN channel state and the GPIO registers.

13.4.10 TIM1 and TIM8 counter (TIMx_CNT)

Address offset: 0x24

Reset value: 0x0000

15	14	13	12	11	10	9	8	7	6	5	4	3	2	1	0
CNT[15:0]															
r/w	r/w	r/w	r/w	r/w	r/w	r/w	r/w	r/w	r/w	r/w	r/w	r/w	r/w	r/w	r/w

Bits 15:0 **CNT[15:0]**: Counter value

13.4.11 TIM1 and TIM8 prescaler (TIMx_PSC)

Address offset: 0x28

Reset value: 0x0000

15	14	13	12	11	10	9	8	7	6	5	4	3	2	1	0
PSC[15:0]															
r/w	r/w	r/w	r/w	r/w	r/w	r/w	r/w	r/w	r/w	r/w	r/w	r/w	r/w	r/w	r/w

Bits 15:0 **PSC[15:0]**: Prescaler value

The counter clock frequency (CK_CNT) is equal to $f_{CK_PSC} / (PSC[15:0] + 1)$.
PSC contains the value to be loaded in the active prescaler register at each update event (including when the counter is cleared through UG bit of TIMx_EGR register or through trigger controller when configured in “reset mode”).

13.4.12 TIM1 and TIM8 auto-reload register (TIMx_ARR)

Address offset: 0x2C



Reset value: 0xFFFF

15	14	13	12	11	10	9	8	7	6	5	4	3	2	1	0
ARR[15:0]															
rw	rw	rw	rw	rw	rw	rw	rw	rw	rw	rw	rw	rw	rw	rw	rw

Bits 15:0 **ARR[15:0]**: Auto-reload value

ARR is the value to be loaded in the actual auto-reload register.

Refer to [Section 13.3.1: Time-base unit](#) for more details about ARR update and behavior.

The counter is blocked while the auto-reload value is null.

13.4.13 TIM1 and TIM8 repetition counter register (TIMx_RCR)

Address offset: 0x30

Reset value: 0x0000

15	14	13	12	11	10	9	8	7	6	5	4	3	2	1	0	
Reserved								REP[7:0]								
								rw	rw	rw	rw	rw	rw	rw	rw	rw

Bits 15:8 Reserved, must be kept at reset value.

Bits 7:0 **REP[7:0]**: Repetition counter value

These bits allow the user to set-up the update rate of the compare registers (i.e. periodic transfers from preload to active registers) when preload registers are enable, as well as the update interrupt generation rate, if this interrupt is enable.

Each time the REP_CNT related downcounter reaches zero, an update event is generated and it restarts counting from REP value. As REP_CNT is reloaded with REP value only at the repetition update event U_RC, any write to the TIMx_RCR register is not taken in account until the next repetition update event.

It means in PWM mode (REP+1) corresponds to:

- the number of PWM periods in edge-aligned mode
- the number of half PWM period in center-aligned mode.

13.4.14 TIM1 and TIM8 capture/compare register 1 (TIMx_CCR1)

Address offset: 0x34

Reset value: 0x0000

15	14	13	12	11	10	9	8	7	6	5	4	3	2	1	0
CCR1[15:0]															
rw/ro	rw/ro	rw/ro	rw/ro	rw/ro	rw/ro	rw/ro	rw/ro	rw/ro	rw/ro	rw/ro	rw/ro	rw/ro	rw/ro	rw/ro	rw/ro

Bits 15:0 **CCR1[15:0]**: Capture/Compare 1 value

If channel CC1 is configured as output:

CCR1 is the value to be loaded in the actual capture/compare 1 register (preload value). It is loaded permanently if the preload feature is not selected in the TIMx_CCMR1 register (bit OC1PE). Else the preload value is copied in the active capture/compare 1 register when an update event occurs.

The active capture/compare register contains the value to be compared to the counter TIMx_CNT and signaled on OC1 output.

If channel CC1 is configured as input:

CCR1 is the counter value transferred by the last input capture 1 event (IC1). The TIMx_CCR1 register is read-only and cannot be programmed.

13.4.15 TIM1 and TIM8 capture/compare register 2 (TIMx_CCR2)

Address offset: 0x38

Reset value: 0x0000

15	14	13	12	11	10	9	8	7	6	5	4	3	2	1	0
CCR2[15:0]															
rw/ro	rw/ro	rw/ro	rw/ro	rw/ro	rw/ro	rw/ro	rw/ro	rw/ro	rw/ro	rw/ro	rw/ro	rw/ro	rw/ro	rw/ro	rw/ro

Bits 15:0 **CCR2[15:0]**: Capture/Compare 2 value

If channel CC2 is configured as output:

CCR2 is the value to be loaded in the actual capture/compare 2 register (preload value). It is loaded permanently if the preload feature is not selected in the TIMx_CCMR2 register (bit OC2PE). Else the preload value is copied in the active capture/compare 2 register when an update event occurs.

The active capture/compare register contains the value to be compared to the counter TIMx_CNT and signalled on OC2 output.

If channel CC2 is configured as input:

CCR2 is the counter value transferred by the last input capture 2 event (IC2). The TIMx_CCR2 register is read-only and cannot be programmed.

13.4.16 TIM1 and TIM8 capture/compare register 3 (TIMx_CCR3)

Address offset: 0x3C

Reset value: 0x0000

15	14	13	12	11	10	9	8	7	6	5	4	3	2	1	0
CCR3[15:0]															
rw/ro	rw/ro	rw/ro	rw/ro	rw/ro	rw/ro	rw/ro	rw/ro	rw/ro	rw/ro	rw/ro	rw/ro	rw/ro	rw/ro	rw/ro	rw/ro

Bits 15:0 **CCR3[15:0]**: Capture/Compare value

If channel CC3 is configured as output:

CCR3 is the value to be loaded in the actual capture/compare 3 register (preload value). It is loaded permanently if the preload feature is not selected in the TIMx_CCMR3 register (bit OC3PE). Else the preload value is copied in the active capture/compare 3 register when an update event occurs.

The active capture/compare register contains the value to be compared to the counter TIMx_CNT and signalled on OC3 output.

If channel CC3 is configured as input:

CCR3 is the counter value transferred by the last input capture 3 event (IC3). The TIMx_CCR3 register is read-only and cannot be programmed.

13.4.17 TIM1 and TIM8 capture/compare register 4 (TIMx_CCR4)

Address offset: 0x40

Reset value: 0x0000

15	14	13	12	11	10	9	8	7	6	5	4	3	2	1	0
CCR4[15:0]															
rw/ro	rw/ro	rw/ro	rw/ro	rw/ro	rw/ro	rw/ro	rw/ro	rw/ro	rw/ro	rw/ro	rw/ro	rw/ro	rw/ro	rw/ro	rw/ro

Bits 15:0 **CCR4[15:0]**: Capture/Compare value

If channel CC4 is configured as output:

CCR4 is the value to be loaded in the actual capture/compare 4 register (preload value). It is loaded permanently if the preload feature is not selected in the TIMx_CCMR4 register (bit OC4PE). Else the preload value is copied in the active capture/compare 4 register when an update event occurs.

The active capture/compare register contains the value to be compared to the counter TIMx_CNT and signalled on OC4 output.

If channel CC4 is configured as input:

CCR4 is the counter value transferred by the last input capture 4 event (IC4). The TIMx_CCR3 register is read-only and cannot be programmed.

13.4.18 TIM1 and TIM8 break and dead-time register (TIMx_BDTR)

Address offset: 0x44

Reset value: 0x0000

15	14	13	12	11	10	9	8	7	6	5	4	3	2	1	0
MOE	AOE	BKP	BKE	OSSR	OSSI	LOCK[1:0]		DTG[7:0]							
rw	rw	rw	rw	rw	rw	rw	rw	rw	rw	rw	rw	rw	rw	rw	rw

Note: As the bits AOE, BKP, BKE, OSSI, OSSR and DTG[7:0] can be write-locked depending on the LOCK configuration, it can be necessary to configure all of them during the first write access to the TIMx_BDTR register.

Bit 15 **MOE**: Main output enable

This bit is cleared asynchronously by hardware as soon as the break input is active. It is set by software or automatically depending on the AOE bit. It is acting only on the channels which are configured in output.

0: OC and OCN outputs are disabled or forced to idle state.

1: OC and OCN outputs are enabled if their respective enable bits are set (CCxE, CCxNE in TIMx_CCER register).

See OC/OCN enable description for more details ([Section 13.4.9: TIM1 and TIM8 capture/compare enable register \(TIMx_CCER\)](#)).

Bit 14 **AOE**: Automatic output enable

0: MOE can be set only by software

1: MOE can be set by software or automatically at the next update event (if the break input is not be active)

Note: This bit can not be modified as long as LOCK level 1 has been programmed (LOCK bits in TIMx_BDTR register).

Bit 13 **BKP**: Break polarity

0: Break input BRK is active low

1: Break input BRK is active high

Note: This bit can not be modified as long as LOCK level 1 has been programmed (LOCK bits in TIMx_BDTR register).

Note: Any write operation to this bit takes a delay of 1 APB clock cycle to become effective.

Bit 12 **BKE**: Break enable

0: Break inputs (BRK and CSS clock failure event) disabled

1: Break inputs (BRK and CSS clock failure event) enabled

Note: This bit cannot be modified when LOCK level 1 has been programmed (LOCK bits in TIMx_BDTR register).

Note: Any write operation to this bit takes a delay of 1 APB clock cycle to become effective.

Bit 11 **OSSR**: Off-state selection for Run mode

This bit is used when MOE=1 on channels having a complementary output which are configured as outputs. OSSR is not implemented if no complementary output is implemented in the timer.

See OC/OCN enable description for more details ([Section 13.4.9: TIM1 and TIM8 capture/compare enable register \(TIMx_CCER\)](#)).

0: When inactive, OC/OCN outputs are disabled (OC/OCN enable output signal=0).

1: When inactive, OC/OCN outputs are enabled with their inactive level as soon as CCxE=1 or CCxNE=1. Then, OC/OCN enable output signal=1

Note: This bit can not be modified as soon as the LOCK level 2 has been programmed (LOCK bits in TIMx_BDTR register).

Bit 10 **OSSI**: Off-state selection for Idle mode

This bit is used when MOE=0 on channels configured as outputs.

See OC/OCN enable description for more details ([Section 13.4.9: TIM1 and TIM8 capture/compare enable register \(TIMx_CCER\)](#)).

0: When inactive, OC/OCN outputs are disabled (OC/OCN enable output signal=0).

1: When inactive, OC/OCN outputs are forced first with their idle level as soon as CCxE=1 or CCxNE=1. OC/OCN enable output signal=1

Note: This bit can not be modified as soon as the LOCK level 2 has been programmed (LOCK bits in TIMx_BDTR register).

Bits 9:8 **LOCK[1:0]**: Lock configuration

These bits offer a write protection against software errors.

00: LOCK OFF - No bit is write protected.

01: LOCK Level 1 = DTG bits in TIMx_BDTR register, OISx and OISxN bits in TIMx_CR2 register and BKE/BKP/AOE bits in TIMx_BDTR register can no longer be written.

10: LOCK Level 2 = LOCK Level 1 + CC Polarity bits (CCxP/CCxNP bits in TIMx_CCER register, as long as the related channel is configured in output through the CCxS bits) as well as OSSR and OSSI bits can no longer be written.

11: LOCK Level 3 = LOCK Level 2 + CC Control bits (OCxM and OCxPE bits in TIMx_CCMRx registers, as long as the related channel is configured in output through the CCxS bits) can no longer be written.

Note: The LOCK bits can be written only once after the reset. Once the TIMx_BDTR register has been written, their content is frozen until the next reset.

Bits 7:0 **DTG[7:0]**: Dead-time generator setup

This bit-field defines the duration of the dead-time inserted between the complementary outputs. DT correspond to this duration.

DTG[7:5]=0xx => $DT = DTG[7:0] \times t_{dtg}$ with $t_{dtg} = t_{DTS}$.

DTG[7:5]=10x => $DT = (64 + DTG[5:0]) \times t_{dtg}$ with $T_{dtg} = 2 \times t_{DTS}$.

DTG[7:5]=110 => $DT = (32 + DTG[4:0]) \times t_{dtg}$ with $T_{dtg} = 8 \times t_{DTS}$.

DTG[7:5]=111 => $DT = (32 + DTG[4:0]) \times t_{dtg}$ with $T_{dtg} = 16 \times t_{DTS}$.

Example if $T_{DTS} = 125\text{ns}$ (8MHz), dead-time possible values are:

0 to 15875 ns by 125 ns steps,

16 us to 31750 ns by 250 ns steps,

32 us to 63us by 1 us steps,

64 us to 126 us by 2 us steps

Note: This bit-field can not be modified as long as LOCK level 1, 2 or 3 has been programmed (LOCK bits in TIMx_BDTR register).

13.4.19 TIM1 and TIM8 DMA control register (TIMx_DCR)

Address offset: 0x48

Reset value: 0x0000

15	14	13	12	11	10	9	8	7	6	5	4	3	2	1	0
Reserved			DBL[4:0]					Reserved			DBA[4:0]				
			rw	rw	rw	rw	rw				rw	rw	rw	rw	rw

Bits 15:13 Reserved, must be kept at reset value.

Bits 12:8 **DBL[4:0]**: DMA burst length

This 5-bit vector defines the number of DMA transfers (the timer detects a burst transfer when a read or a write access to the TIMx_DMAR register address is performed).

the TIMx_DMAR address)

00000: 1 transfer

00001: 2 transfers

00010: 3 transfers

...

10001: 18 transfers

Bits 7:5 Reserved, must be kept at reset value.

Bits 4:0 **DBA[4:0]**: DMA base address

This 5-bits vector defines the base-address for DMA transfers (when read/write access are done through the TIMx_DMAR address). DBA is defined as an offset starting from the address of the TIMx_CR1 register.

Example:

- 00000: TIMx_CR1,
- 00001: TIMx_CR2,
- 00010: TIMx_SMCR,
- ...

Example: Let us consider the following transfer: DBL = 7 transfers and DBA = TIMx_CR1. In this case the transfer is done to/from 7 registers starting from the TIMx_CR1 address.

13.4.20 TIM1 and TIM8 DMA address for full transfer (TIMx_DMAR)

Address offset: 0x4C

Reset value: 0x0000 0000

31	30	29	28	27	26	25	24	23	22	21	20	19	18	17	16
DMAB[31:16]															
rw	rw	rw	rw	rw	rw	rw	rw	rw	rw	rw	rw	rw	rw	rw	rw
15	14	13	12	11	10	9	8	7	6	5	4	3	2	1	0
DMAB[15:0]															
rw	rw	rw	rw	rw	rw	rw	rw	rw	rw	rw	rw	rw	rw	rw	rw

Bits 31:0 **DMAB[31:0]**: DMA register for burst accesses

A read or write operation to the DMAR register accesses the register located at the address $(\text{TIMx_CR1 address}) + (\text{DBA} + \text{DMA index}) \times 4$

where TIMx_CR1 address is the address of the control register 1, DBA is the DMA base address configured in TIMx_DCR register, DMA index is automatically controlled by the DMA transfer, and ranges from 0 to DBL (DBL configured in TIMx_DCR).

Example of how to use the DMA burst feature

In this example the timer DMA burst feature is used to update the contents of the CCRx registers (x = 2, 3, 4) with the DMA transferring half words into the CCRx registers.

This is done in the following steps:

1. Configure the corresponding DMA channel as follows:
 - DMA channel peripheral address is the DMAR register address
 - DMA channel memory address is the address of the buffer in the RAM containing the data to be transferred by DMA into CCRx registers.
 - Number of data to transfer = 3 (See note below).
 - Circular mode disabled.
2. Configure the DCR register by configuring the DBA and DBL bit fields as follows: DBL = 3 transfers, DBA = 0xE.
3. Enable the TIMx update DMA request (set the UDE bit in the DIER register).
4. Enable TIMx
5. Enable the DMA channel

Note: This example is for the case where every CCRx register to be updated once. If every CCRx register is to be updated twice for example, the number of data to transfer should be 6. Let's take the example of a buffer in the RAM containing data1, data2, data3, data4, data5 and data6. The data is transferred to the CCRx registers as follows: on the first update DMA request, data1 is transferred to CCR2, data2 is transferred to CCR3, data3 is transferred to CCR4 and on the second update DMA request, data4 is transferred to CCR2, data5 is transferred to CCR3 and data6 is transferred to CCR4.

13.4.21 TIM1 and TIM8 register map

TIM1 and TIM8 registers are mapped as 16-bit addressable registers as described in the table below:

Table 58. TIM1 and TIM8 register map and reset values

Offset	Register	31	30	29	28	27	26	25	24	23	22	21	20	19	18	17	16	15	14	13	12	11	10	9	8	7	6	5	4	3	2	1	0																
0x00	TIMx_CR1	Reserved																							CKD [1:0]	ARPE	CMS [1:0]	DIR	OPM	URS	UDIS	CEN																	
	Reset value																								0	0	0	0	0	0	0																		
0x04	TIMx_CR2	Reserved												OIS4	OIS3N	OIS3	OIS2N	OIS2	OIS1N	OIS1	TI1S	MMS[2:0]	CCDS	CCUS	Reserved	CCPC																							
	Reset value													0	0	0	0	0	0	0	0	0	0	0	0	0	0	0	0	0	0	0	0	0	0	0	0	0	0	0	0	0	0	0	0	0			
0x08	TIMx_SMCR	Reserved														ETP	ECE	ETPS [1:0]	ETF[3:0]	MSM	TS[2:0]	Reserved	SMS[2:0]																										
	Reset value															0	0	0	0	0	0	0	0	0	0	0	0	0	0	0	0	0	0	0	0	0	0	0	0	0	0	0	0	0	0	0	0	0	
0x0C	TIMx_DIER	Reserved														TDE	COMDE	CC4DE	CC3DE	CC2DE	CC1DE	UDE	BIE	TIE	COMIE	CC4IE	CC3IE	CC2IE	CC1IE	UIE																			
	Reset value															0	0	0	0	0	0	0	0	0	0	0	0	0	0	0	0	0	0	0	0	0	0	0	0	0	0	0	0	0	0	0	0	0	0
0x10	TIMx_SR	Reserved														CC4OF	CC3OF	CC2OF	CC1OF	Reserved	BIF	TIF	COMIF	CC4IF	CC3IF	CC2IF	CC1IF	UIF																					
	Reset value															0	0	0	0	0	0	0	0	0	0	0	0	0	0	0	0	0	0	0	0	0	0	0	0	0	0	0	0	0	0	0	0	0	0
0x14	TIMx_EGR	Reserved														BG	TG	COMG	CC4G	CC3G	CC2G	CC1G	UG																										
	Reset value															0	0	0	0	0	0	0	0	0	0	0	0	0	0	0	0	0	0	0	0	0	0	0	0	0	0	0	0	0	0	0	0	0	0
0x18	TIMx_CCMR1	Reserved														OC2OE	OC2M [2:0]		OC2PE	OC2FE	CC2S [1:0]	OC1OE	OC1M [2:0]		OC1PE	OC1FE	CC1S [1:0]																						
	Reset value															0	0	0	0	0	0	0	0	0	0	0	0	0	0	0	0	0	0	0	0	0	0	0	0	0	0	0	0	0	0	0	0	0	
	TIMx_CCMR1	Reserved														IC2F[3:0]			IC2PSC [1:0]	CC2S [1:0]	IC1F[3:0]			IC1PSC [1:0]	CC1S [1:0]																								
	Reset value															0	0	0	0	0	0	0	0	0	0	0	0	0	0	0	0	0	0	0	0	0	0	0	0	0	0	0	0	0	0	0	0	0	0
0x1C	TIMx_CCMR2	Reserved														OC4OE	OC4M [2:0]		OC4PE	OC4FE	CC4S [1:0]	OC3OE	OC3M [2:0]		OC3PE	OC3FE	CC3S [1:0]																						
	Reset value															0	0	0	0	0	0	0	0	0	0	0	0	0	0	0	0	0	0	0	0	0	0	0	0	0	0	0	0	0	0	0	0	0	0
	TIMx_CCMR2	Reserved														IC4F[3:0]			IC4PSC [1:0]	CC4S [1:0]	IC3F[3:0]			IC3PSC [1:0]	CC3S [1:0]																								
	Reset value															0	0	0	0	0	0	0	0	0	0	0	0	0	0	0	0	0	0	0	0	0	0	0	0	0	0	0	0	0	0	0	0	0	0



Table 58. TIM1 and TIM8 register map and reset values (continued)

Offset	Register	31	30	29	28	27	26	25	24	23	22	21	20	19	18	17	16	15	14	13	12	11	10	9	8	7	6	5	4	3	2	1	0															
0x20	TIMx_CCER	Reserved																CC4NP	Reserved	CC4P	CC4E	CC3NP	CC3NE	CC3P	CC3E	CC2NP	CC2NE	CC2P	CC2E	CC1NP	CC1NE	CC1P	CC1E															
	Reset value																	0	Reserved	0	0	0	0	0	0	0	0	0	0	0	0	0	0	0														
0x24	TIMx_CNT	Reserved																CNT[15:0]																														
	Reset value																	0	0	0	0	0	0	0	0	0	0	0	0	0	0	0	0	0	0	0	0	0	0	0	0	0	0	0	0	0	0	0
0x28	TIMx_PSC	Reserved																PSC[15:0]																														
	Reset value																	0	0	0	0	0	0	0	0	0	0	0	0	0	0	0	0	0	0	0	0	0	0	0	0	0	0	0	0	0	0	0
0x2C	TIMx_ARR	Reserved																ARR[15:0]																														
	Reset value																	1	1	1	1	1	1	1	1	1	1	1	1	1	1	1	1	1	1	1	1	1	1	1	1	1	1	1	1	1	1	1
0x30	TIMx_RCR	Reserved																REP[7:0]																														
	Reset value																	0	0	0	0	0	0	0	0	0	0	0	0	0	0	0	0	0	0	0	0	0	0	0	0	0	0	0	0	0	0	0
0x34	TIMx_CCR1	Reserved																CCR1[15:0]																														
	Reset value																	0	0	0	0	0	0	0	0	0	0	0	0	0	0	0	0	0	0	0	0	0	0	0	0	0	0	0	0	0	0	0
0x38	TIMx_CCR2	Reserved																CCR2[15:0]																														
	Reset value																	0	0	0	0	0	0	0	0	0	0	0	0	0	0	0	0	0	0	0	0	0	0	0	0	0	0	0	0	0	0	0
0x3C	TIMx_CCR3	Reserved																CCR3[15:0]																														
	Reset value																	0	0	0	0	0	0	0	0	0	0	0	0	0	0	0	0	0	0	0	0	0	0	0	0	0	0	0	0	0	0	0
0x40	TIMx_CCR4	Reserved																CCR4[15:0]																														
	Reset value																	0	0	0	0	0	0	0	0	0	0	0	0	0	0	0	0	0	0	0	0	0	0	0	0	0	0	0	0	0	0	0
0x44	TIMx_BDTR	Reserved																MOE	AOE	BKP	BKE	OSSR	OSSI	LOCK [1:0]	DT[7:0]																							
	Reset value																	0	0	0	0	0	0	0	0	0	0	0	0	0	0	0	0	0	0	0	0	0	0	0	0	0	0	0	0	0	0	0
0x48	TIMx_DCR	Reserved																DBL[4:0]				Reserved				DBA[4:0]																						
	Reset value																	0	0	0	0	0	0	0	0	0	0	0	0	0	0	0	0	0	0	0	0	0	0	0	0	0	0	0	0	0	0	0
0x4C	TIMx_DMAR	DMAB[31:0]																																														
	Reset value	0	0	0	0	0	0	0	0	0	0	0	0	0	0	0	0	0	0	0	0	0	0	0	0	0	0	0	0	0	0	0	0	0	0	0												

Refer to [Section 3.3: Memory map](#) for the register boundary addresses.

14 General-purpose timers (TIM2 to TIM5)

This section applies to the whole STM32F20x and STM32F21x family, unless otherwise specified.

14.1 TIM2 to TIM5 introduction

The general-purpose timers consist of a 16-bit or 32-bit auto-reload counter driven by a programmable prescaler.

They may be used for a variety of purposes, including measuring the pulse lengths of input signals (*input capture*) or generating output waveforms (*output compare and PWM*).

Pulse lengths and waveform periods can be modulated from a few microseconds to several milliseconds using the timer prescaler and the RCC clock controller prescalers.

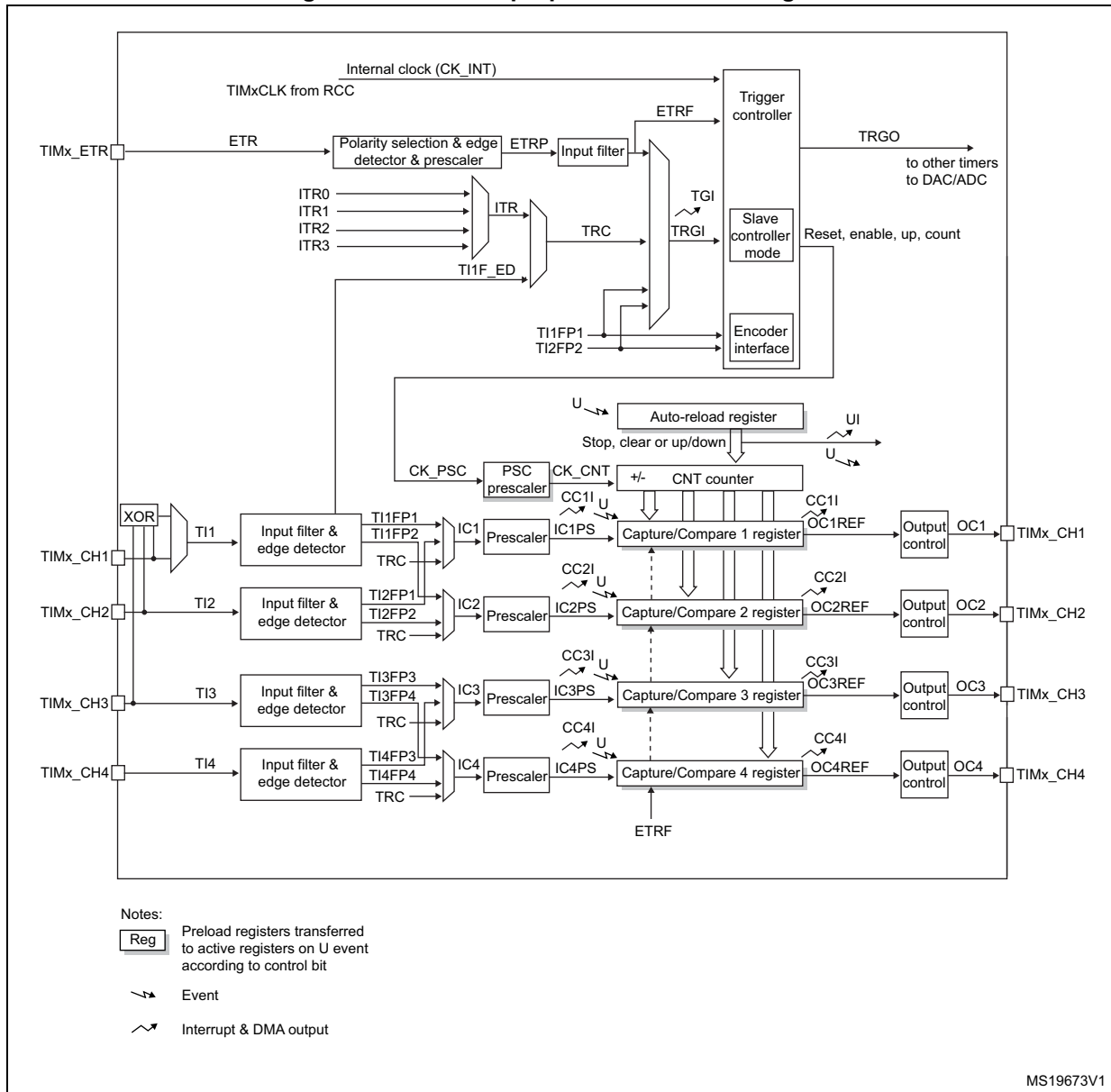
The timers are completely independent, and do not share any resources. They can be synchronized together as described in [Section 14.3.15](#).

14.2 TIM2 to TIM5 main features

General-purpose TIMx timer features include:

- 16-bit (TIM3 and TIM4) or 32-bit (TIM2 and TIM5) up, down, up/down auto-reload counter.
- 16-bit programmable prescaler used to divide (also “on the fly”) the counter clock frequency by any factor between 1 and 65536.
- Up to four independent channels for:
 - Input capture
 - Output compare
 - PWM generation (Edge- and Center-aligned modes)
 - One-pulse mode output
- Synchronization circuit to control the timer with external signals and to interconnect several timers.
- Interrupt/DMA generation on the following events:
 - Update: counter overflow/underflow, counter initialization (by software or internal/external trigger)
 - Trigger event (counter start, stop, initialization or count by internal/external trigger)
 - Input capture
 - Output compare
- Supports incremental (quadrature) encoder and hall-sensor circuitry for positioning purposes
- Trigger input for external clock or cycle-by-cycle current management

Figure 113. General-purpose timer block diagram



14.3 TIM2 to TIM5 functional description

14.3.1 Time-base unit

The main block of the programmable timer is a 16-bit/32-bit counter with its related auto-reload register. The counter can count up but also down or both up and down. The counter clock can be divided by a prescaler.

The counter, the auto-reload register and the prescaler register can be written or read by software. This is true even when the counter is running.

The time-base unit includes:

- Counter register (TIMx_CNT)
- Prescaler register (TIMx_PSC):
- Auto-Reload register (TIMx_ARR)

The auto-reload register is preloaded. Writing to or reading from the auto-reload register accesses the preload register. The content of the preload register are transferred into the shadow register permanently or at each update event (UEV), depending on the auto-reload preload enable bit (ARPE) in TIMx_CR1 register. The update event is sent when the counter reaches the overflow (or underflow when downcounting) and if the UDIS bit equals 0 in the TIMx_CR1 register. It can also be generated by software. The generation of the update event is described in detail for each configuration.

The counter is clocked by the prescaler output CK_CNT, which is enabled only when the counter enable bit (CEN) in TIMx_CR1 register is set (refer also to the slave mode controller description to get more details on counter enabling).

Note that the actual counter enable signal CNT_EN is set 1 clock cycle after CEN.

Prescaler description

The prescaler can divide the counter clock frequency by any factor between 1 and 65536. It is based on a 16-bit counter controlled through a 16-bit/32-bit register (in the TIMx_PSC register). It can be changed on the fly as this control register is buffered. The new prescaler ratio is taken into account at the next update event.

Figure 114 and *Figure 115* give some examples of the counter behavior when the prescaler ratio is changed on the fly:

Figure 114. Counter timing diagram with prescaler division change from 1 to 2

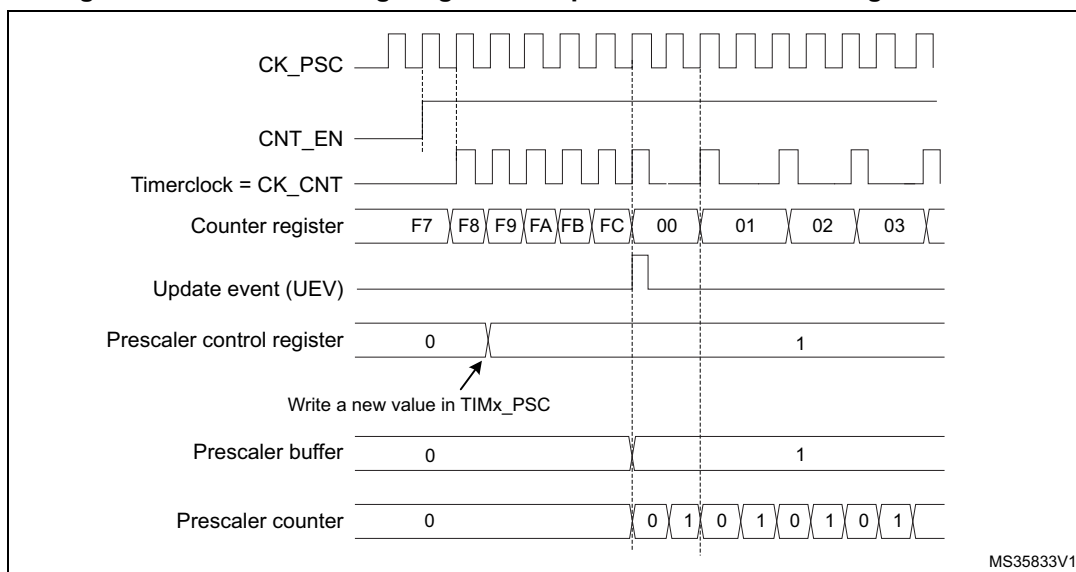
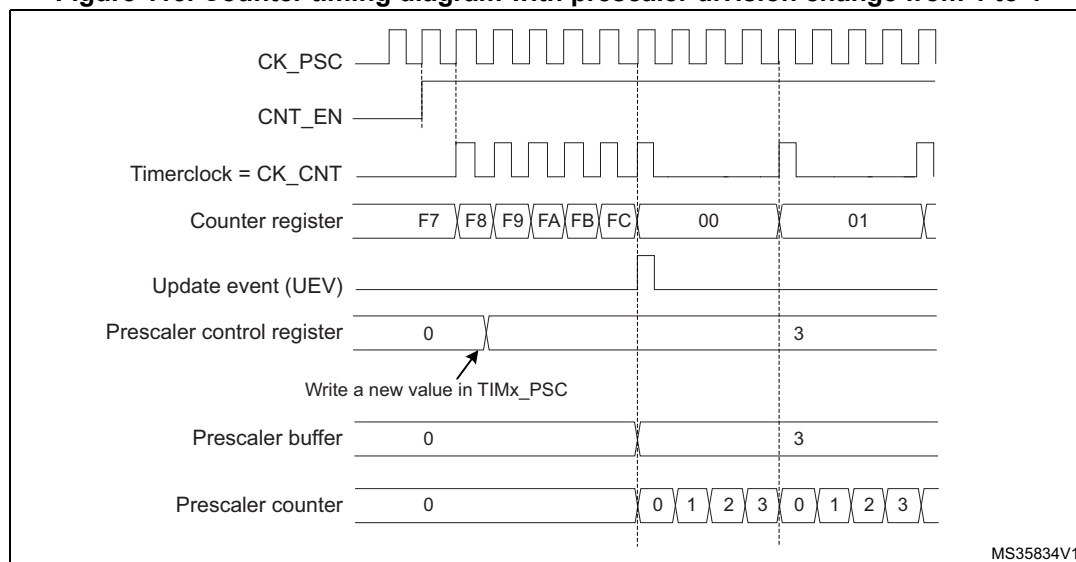


Figure 115. Counter timing diagram with prescaler division change from 1 to 4



14.3.2 Counter modes

Upcounting mode

In upcounting mode, the counter counts from 0 to the auto-reload value (content of the TIMx_ARR register), then restarts from 0 and generates a counter overflow event.

An Update event can be generated at each counter overflow or by setting the UG bit in the TIMx_EGR register (by software or by using the slave mode controller).

The UEV event can be disabled by software by setting the UDIS bit in TIMx_CR1 register. This is to avoid updating the shadow registers while writing new values in the preload registers. Then no update event occurs until the UDIS bit has been written to 0. However, the counter restarts from 0, as well as the counter of the prescaler (but the prescale rate

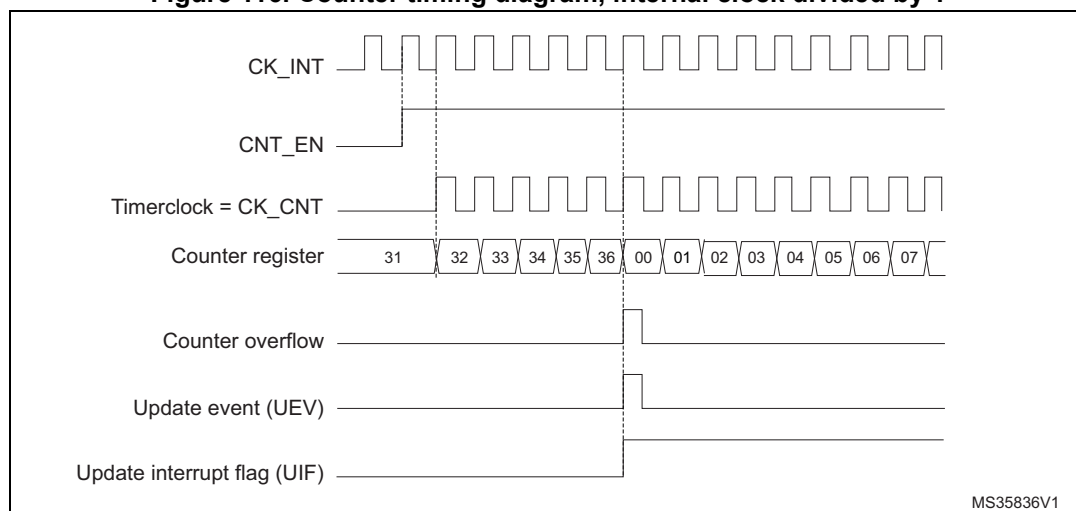
does not change). In addition, if the URS bit (update request selection) in TIMx_CR1 register is set, setting the UG bit generates an update event UEV but without setting the UIF flag (thus no interrupt or DMA request is sent). This is to avoid generating both update and capture interrupts when clearing the counter on the capture event.

When an update event occurs, all the registers are updated and the update flag (UIF bit in TIMx_SR register) is set (depending on the URS bit):

- The buffer of the prescaler is reloaded with the preload value (content of the TIMx_PSC register)
- The auto-reload shadow register is updated with the preload value (TIMx_ARR)

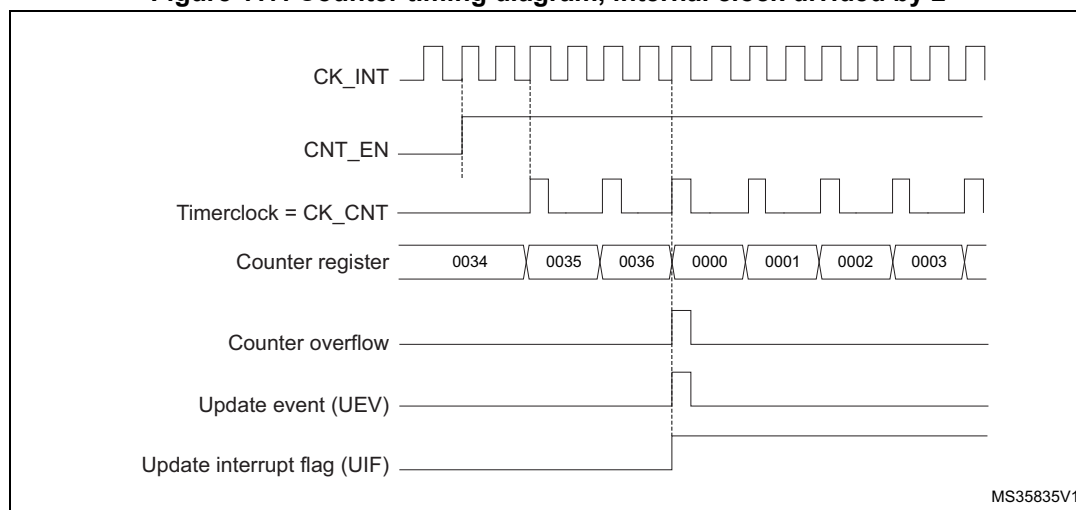
The following figures show some examples of the counter behavior for different clock frequencies when TIMx_ARR=0x36.

Figure 116. Counter timing diagram, internal clock divided by 1



MS35836V1

Figure 117. Counter timing diagram, internal clock divided by 2



MS35835V1

Figure 118. Counter timing diagram, internal clock divided by 4

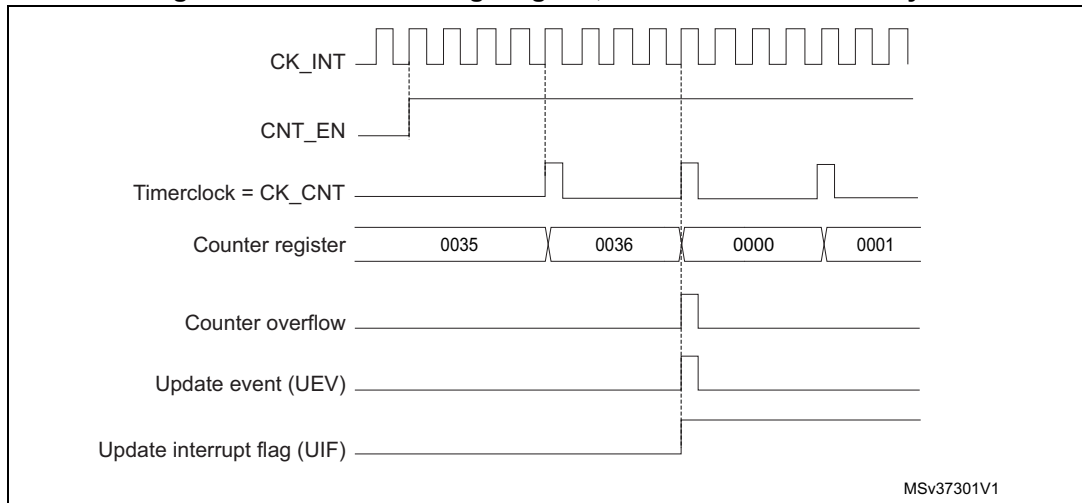


Figure 119. Counter timing diagram, internal clock divided by N

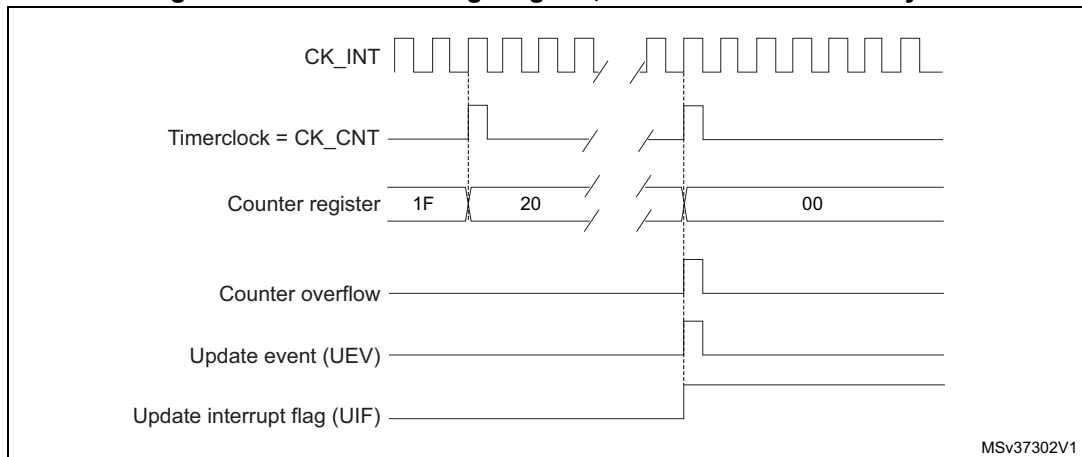


Figure 120. Counter timing diagram, Update event when ARPE=0 (TIMx_ARR not preloaded)

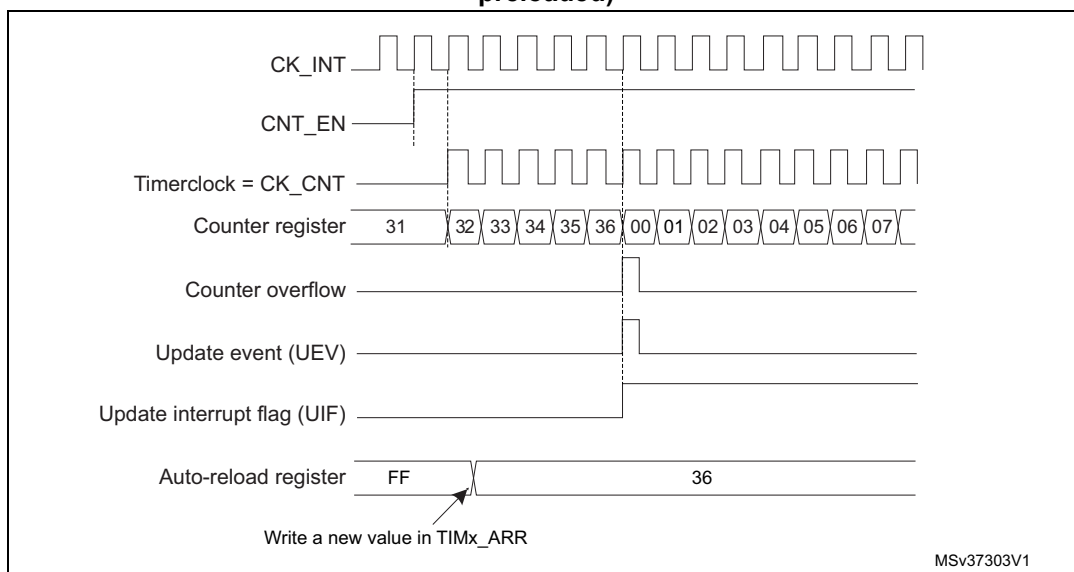
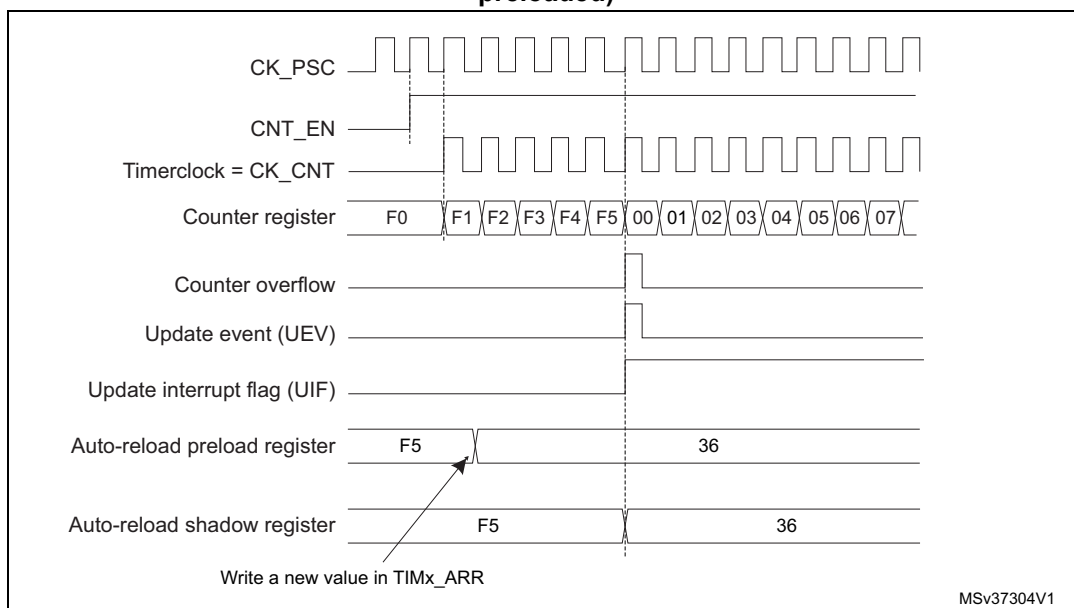


Figure 121. Counter timing diagram, Update event when ARPE=1 (TIMx_ARR preloaded)



Downcounting mode

In downcounting mode, the counter counts from the auto-reload value (content of the TIMx_ARR register) down to 0, then restarts from the auto-reload value and generates a counter underflow event.

An Update event can be generated at each counter underflow or by setting the UG bit in the TIMx_EGR register (by software or by using the slave mode controller)

The UEV update event can be disabled by software by setting the UDIS bit in TIMx_CR1 register. This is to avoid updating the shadow registers while writing new values in the

preload registers. Then no update event occurs until UDIS bit has been written to 0. However, the counter restarts from the current auto-reload value, whereas the counter of the prescaler restarts from 0 (but the prescale rate does not change).

In addition, if the URS bit (update request selection) in TIMx_CR1 register is set, setting the UG bit generates an update event UEV but without setting the UIF flag (thus no interrupt or DMA request is sent). This is to avoid generating both update and capture interrupts when clearing the counter on the capture event.

When an update event occurs, all the registers are updated and the update flag (UIF bit in TIMx_SR register) is set (depending on the URS bit):

- The buffer of the prescaler is reloaded with the preload value (content of the TIMx_PSC register).
- The auto-reload active register is updated with the preload value (content of the TIMx_ARR register). Note that the auto-reload is updated before the counter is reloaded, so that the next period is the expected one.

The following figures show some examples of the counter behavior for different clock frequencies when TIMx_ARR=0x36.

Figure 122. Counter timing diagram, internal clock divided by 1

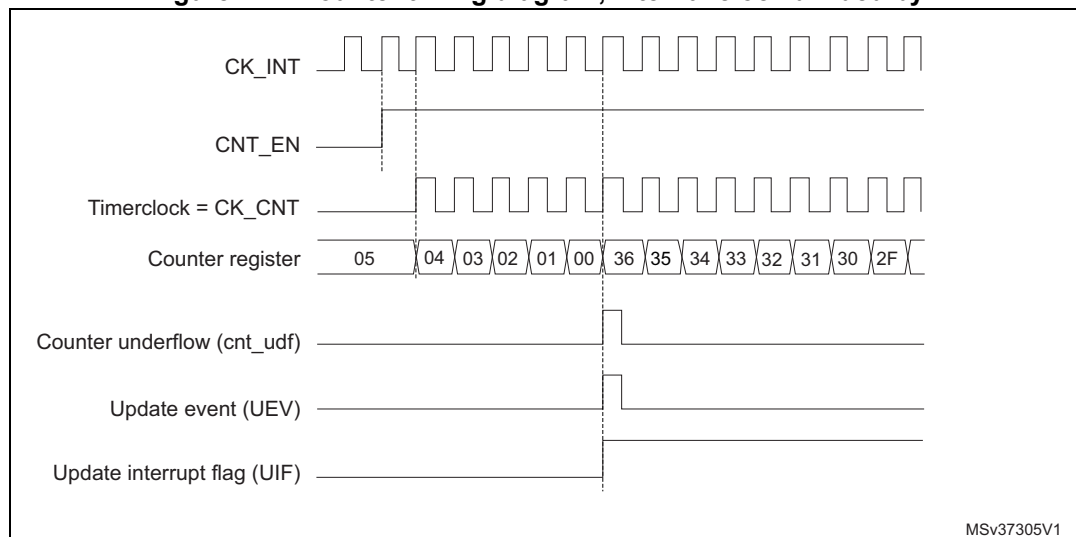


Figure 123. Counter timing diagram, internal clock divided by 2

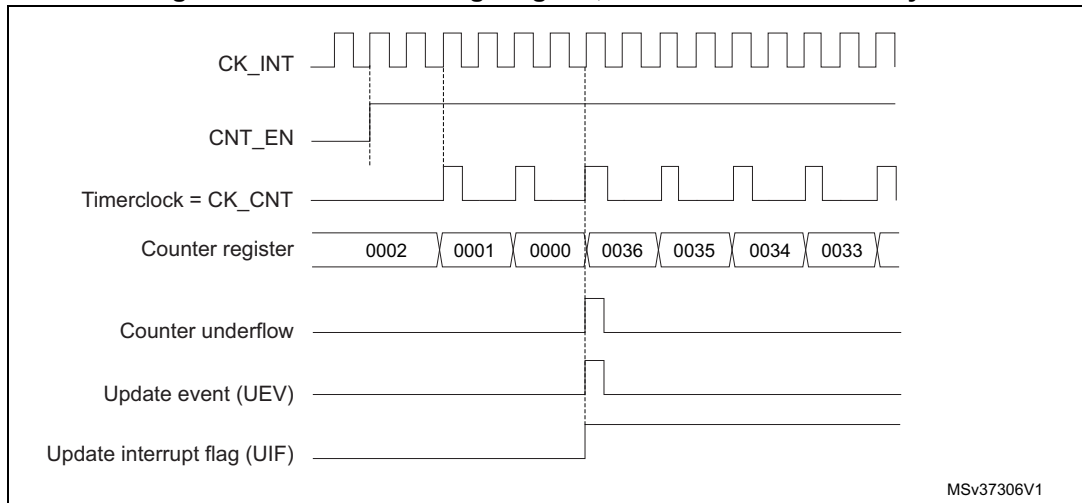


Figure 124. Counter timing diagram, internal clock divided by 4

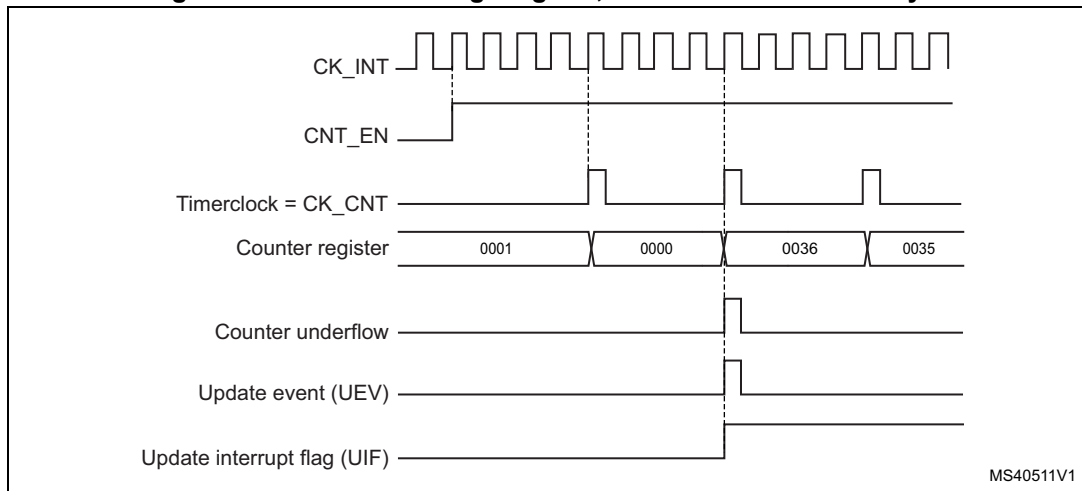


Figure 125. Counter timing diagram, internal clock divided by N

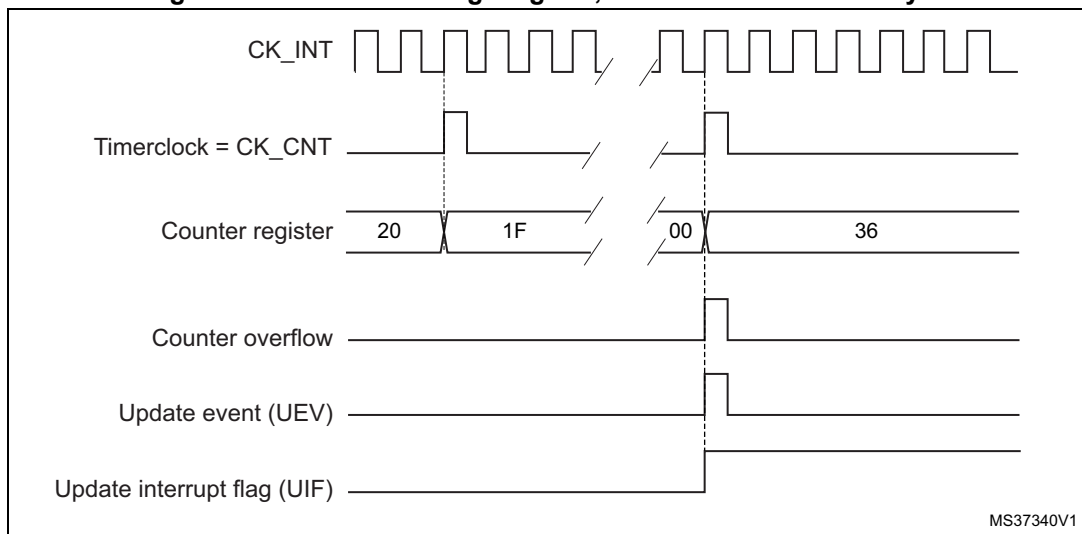
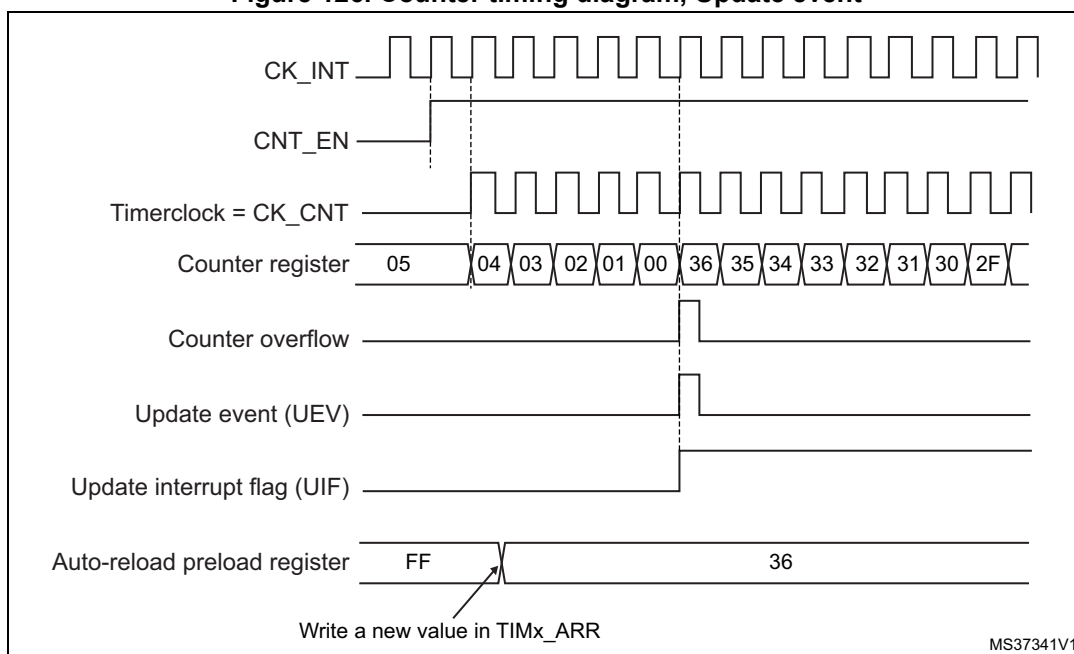


Figure 126. Counter timing diagram, Update event



Center-aligned mode (up/down counting)

In center-aligned mode, the counter counts from 0 to the auto-reload value (content of the TIMx_ARR register) – 1, generates a counter overflow event, then counts from the auto-reload value down to 1 and generates a counter underflow event. Then it restarts counting from 0.

Center-aligned mode is active when the CMS bits in TIMx_CR1 register are not equal to '00'. The Output compare interrupt flag of channels configured in output is set when: the counter counts down (Center aligned mode 1, CMS = "01"), the counter counts up (Center aligned mode 2, CMS = "10") the counter counts up and down (Center aligned mode 3, CMS = "11").

In this mode, the direction bit (DIR from TIMx_CR1 register) cannot be written. It is updated by hardware and gives the current direction of the counter.

The update event can be generated at each counter overflow and at each counter underflow or by setting the UG bit in the TIMx_EGR register (by software or by using the slave mode controller) also generates an update event. In this case, the counter restarts counting from 0, as well as the counter of the prescaler.

The UEV update event can be disabled by software by setting the UDIS bit in TIMx_CR1 register. This is to avoid updating the shadow registers while writing new values in the preload registers. Then no update event occurs until the UDIS bit has been written to 0. However, the counter continues counting up and down, based on the current auto-reload value.

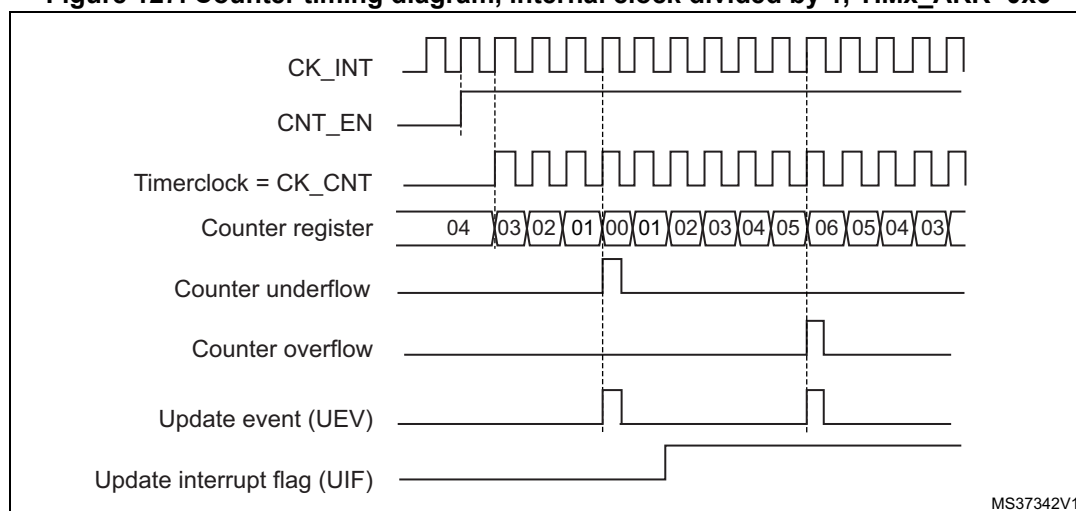
In addition, if the URS bit (update request selection) in TIMx_CR1 register is set, setting the UG bit generates an update event UEV but without setting the UIF flag (thus no interrupt or DMA request is sent). This is to avoid generating both update and capture interrupt when clearing the counter on the capture event.

When an update event occurs, all the registers are updated and the update flag (UIF bit in TIMx_SR register) is set (depending on the URS bit):

- The buffer of the prescaler is reloaded with the preload value (content of the TIMx_PSC register).
- The auto-reload active register is updated with the preload value (content of the TIMx_ARR register). Note that if the update source is a counter overflow, the auto-reload is updated before the counter is reloaded, so that the next period is the expected one (the counter is loaded with the new value).

The following figures show some examples of the counter behavior for different clock frequencies.

Figure 127. Counter timing diagram, internal clock divided by 1, TIMx_ARR=0x6



1. Here, center-aligned mode 1 is used, for more details refer to [Section 14.4.1: TIMx control register 1 \(TIMx_CR1\)](#).

Figure 128. Counter timing diagram, internal clock divided by 2

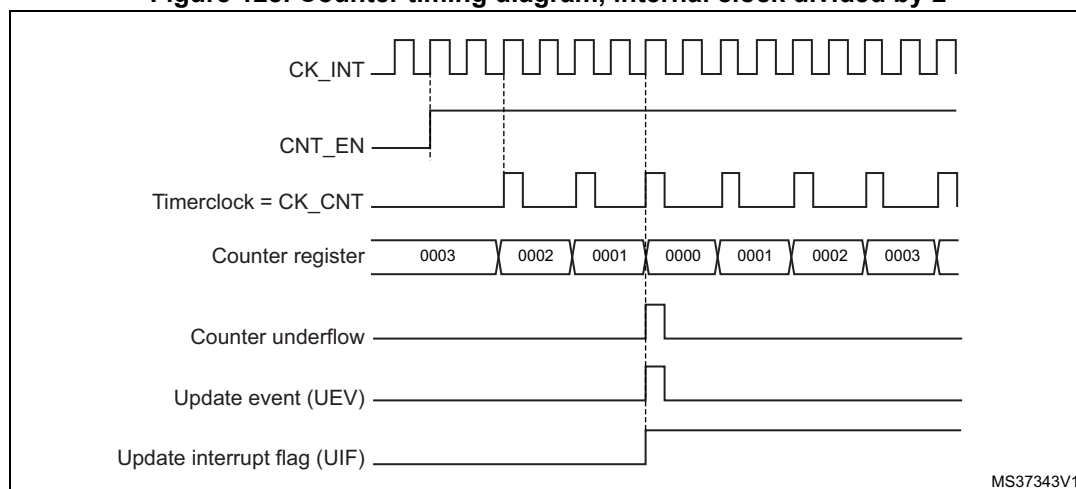
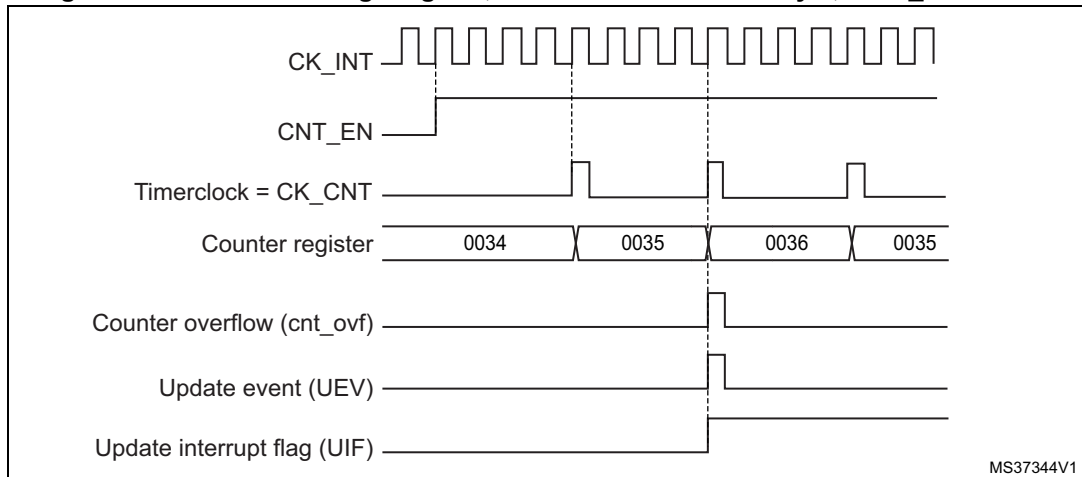


Figure 129. Counter timing diagram, internal clock divided by 4, TIMx_ARR=0x36



1. Center-aligned mode 2 or 3 is used with an UIF on overflow.

Figure 130. Counter timing diagram, internal clock divided by N

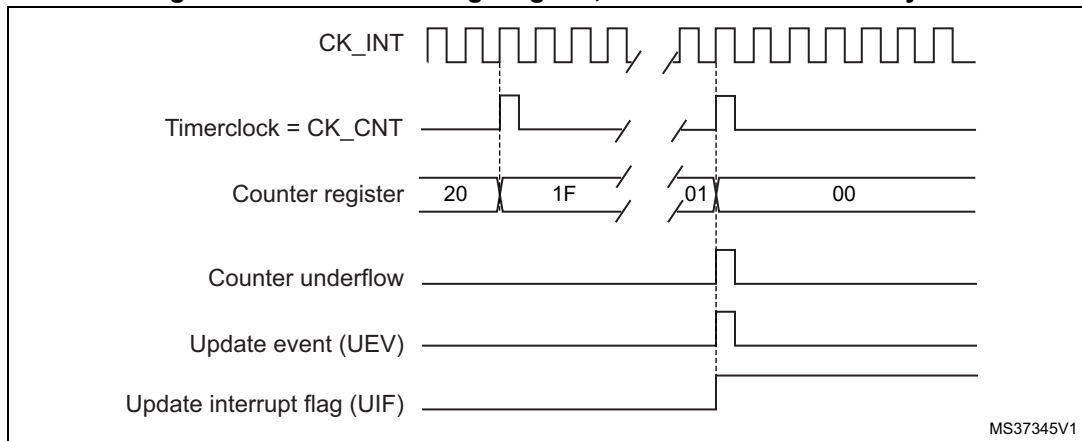


Figure 131. Counter timing diagram, Update event with ARPE=1 (counter underflow)

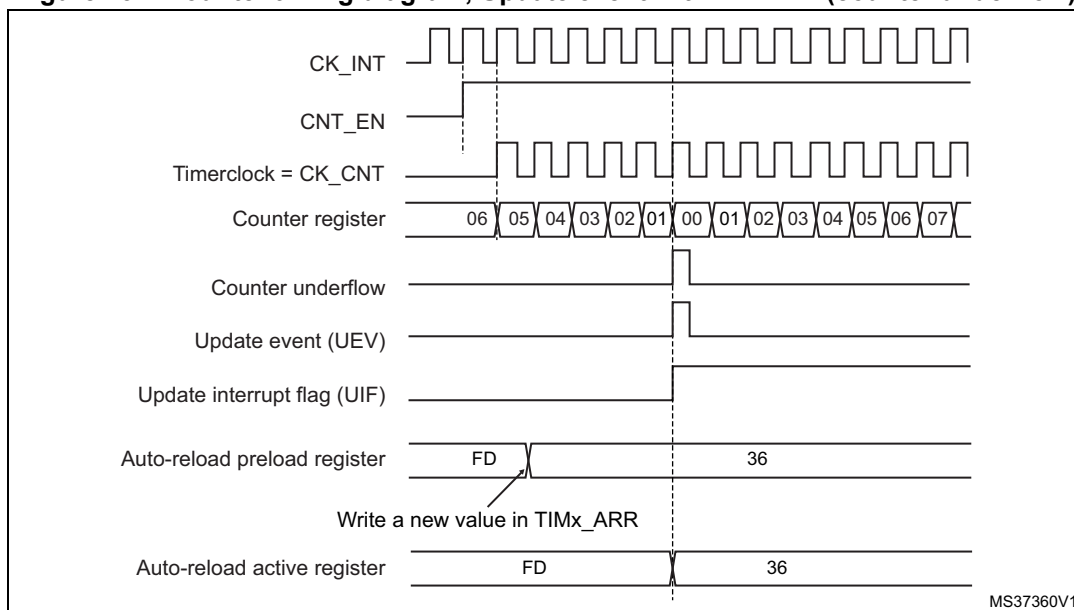
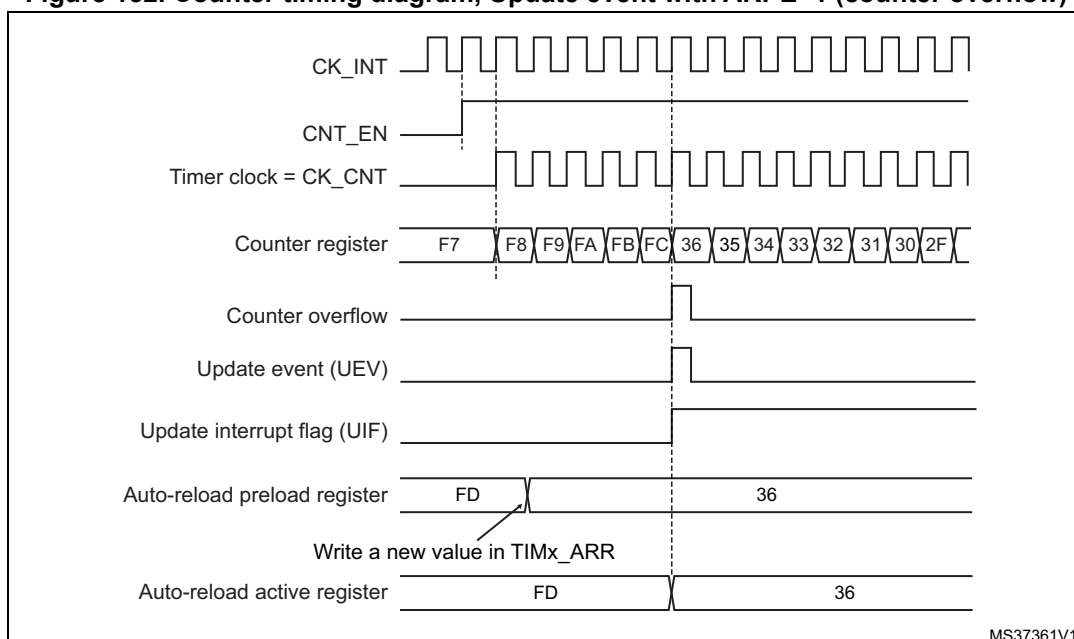


Figure 132. Counter timing diagram, Update event with ARPE=1 (counter overflow)



14.3.3 Clock selection

The counter clock can be provided by the following clock sources:

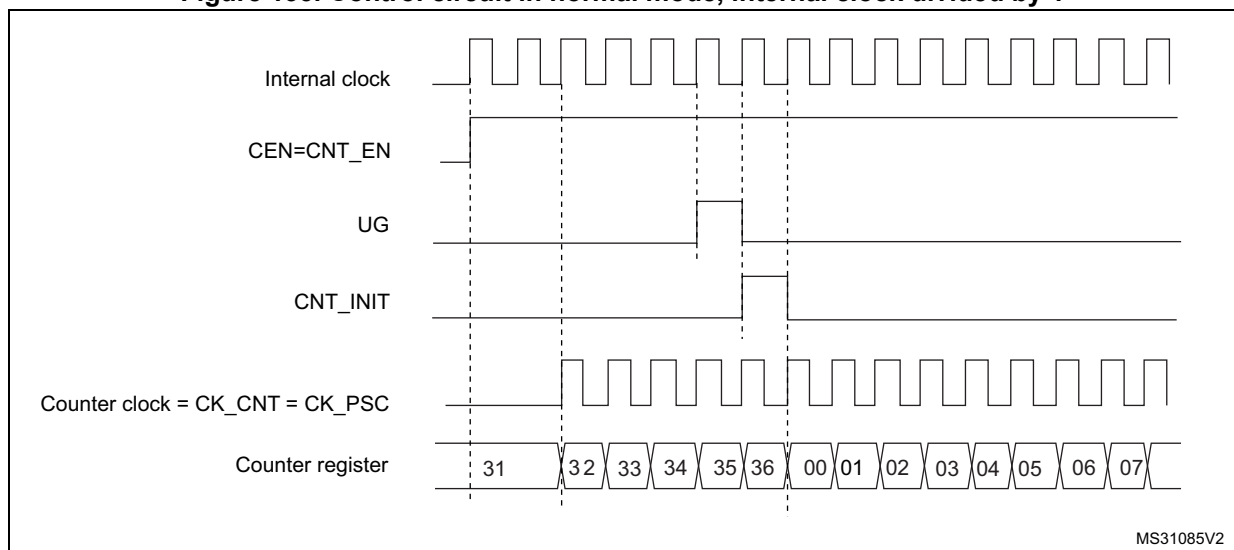
- Internal clock (CK_INT)
- External clock mode1: external input pin (TIx)
- External clock mode2: external trigger input (ETR) available on TIM2, TIM3 and TIM4 only.
- Internal trigger inputs (ITRx): using one timer as prescaler for another timer, for example, Timer1 can be configured to act as a prescaler for Timer 2. Refer to [Using one timer as prescaler for another timer](#) for more details.

Internal clock source (CK_INT)

If the slave mode controller is disabled (SMS=000 in the TIMx_SMCR register), then the CEN, DIR (in the TIMx_CR1 register) and UG bits (in the TIMx_EGR register) are actual control bits and can be changed only by software (except UG which remains cleared automatically). As soon as the CEN bit is written to 1, the prescaler is clocked by the internal clock CK_INT.

[Figure 133](#) shows the behavior of the control circuit and the upcounter in normal mode, without prescaler.

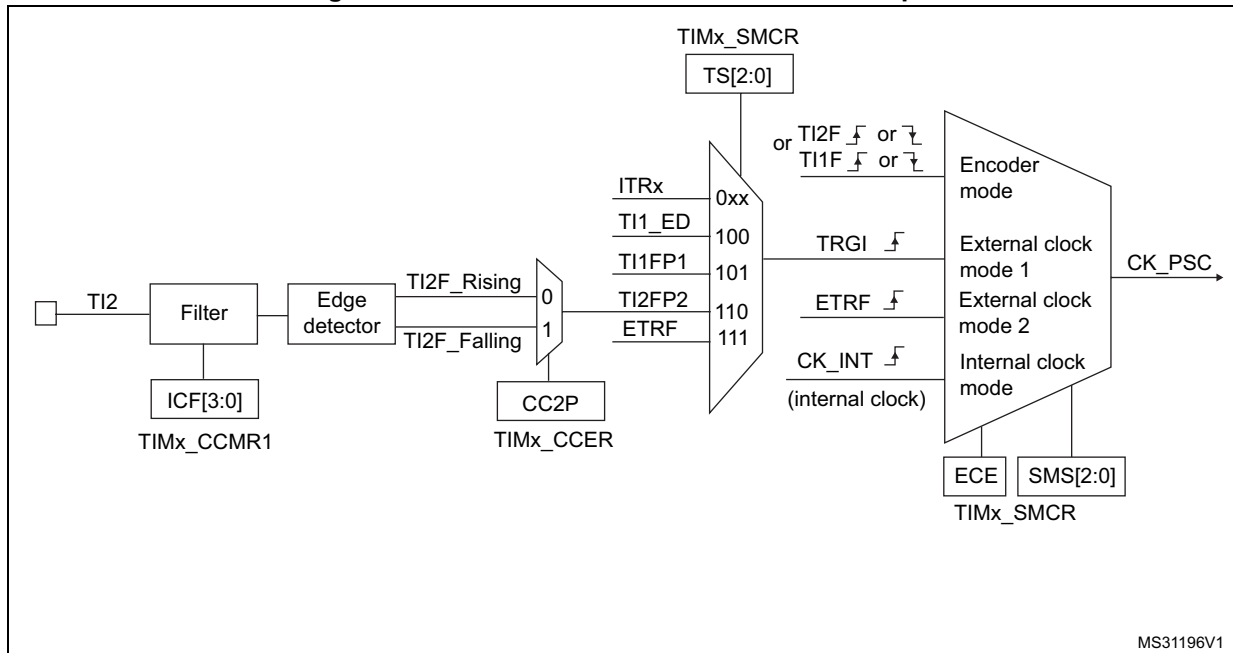
Figure 133. Control circuit in normal mode, internal clock divided by 1



External clock source mode 1

This mode is selected when SMS=111 in the TIMx_SMCR register. The counter can count at each rising or falling edge on a selected input.

Figure 134. TI2 external clock connection example



For example, to configure the upcounter to count in response to a rising edge on the TI2 input, use the following procedure:

1. Configure channel 2 to detect rising edges on the TI2 input by writing CC2S= '01 in the TIMx_CCMR1 register.
2. Configure the input filter duration by writing the IC2F[3:0] bits in the TIMx_CCMR1 register (if no filter is needed, keep IC2F=0000).

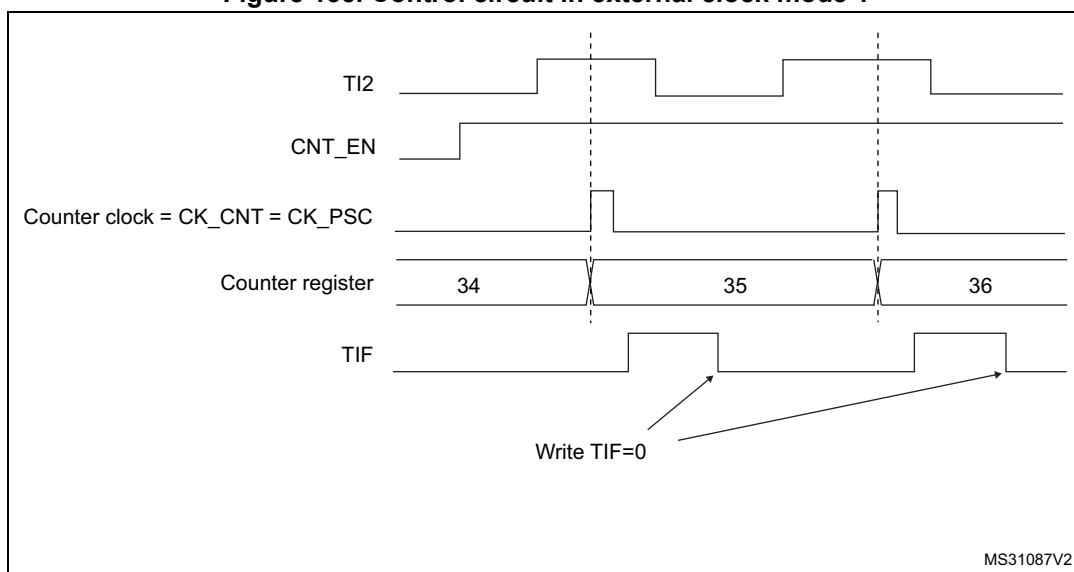
Note: The capture prescaler is not used for triggering, so there's no need to configure it.

3. Select rising edge polarity by writing CC2P=0 and CC2NP=0 in the TIMx_CCER register.
4. Configure the timer in external clock mode 1 by writing SMS=111 in the TIMx_SMCR register.
5. Select TI2 as the input source by writing TS=110 in the TIMx_SMCR register.
6. Enable the counter by writing CEN=1 in the TIMx_CR1 register.

When a rising edge occurs on TI2, the counter counts once and the TIF flag is set.

The delay between the rising edge on TI2 and the actual clock of the counter is due to the resynchronization circuit on TI2 input.

Figure 135. Control circuit in external clock mode 1



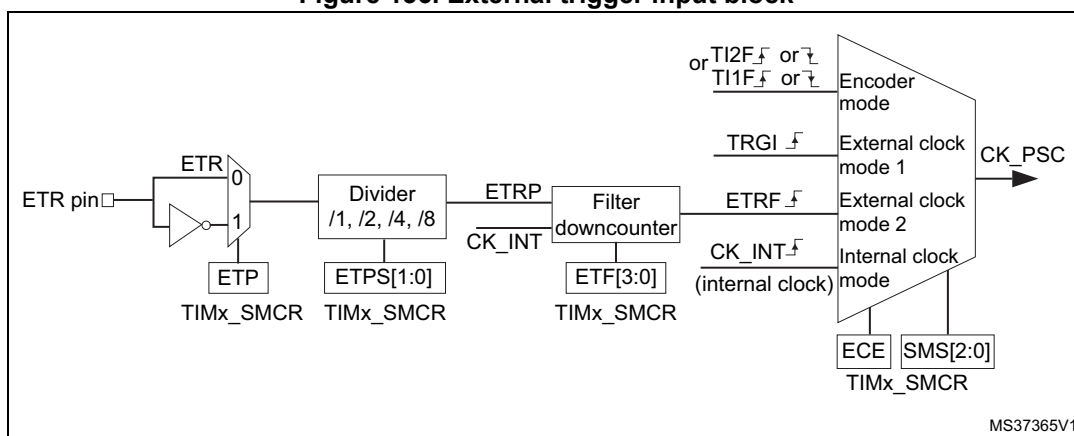
External clock source mode 2

This mode is selected by writing ECE=1 in the TIMx_SMCR register.

The counter can count at each rising or falling edge on the external trigger input ETR.

Figure 136 gives an overview of the external trigger input block.

Figure 136. External trigger input block



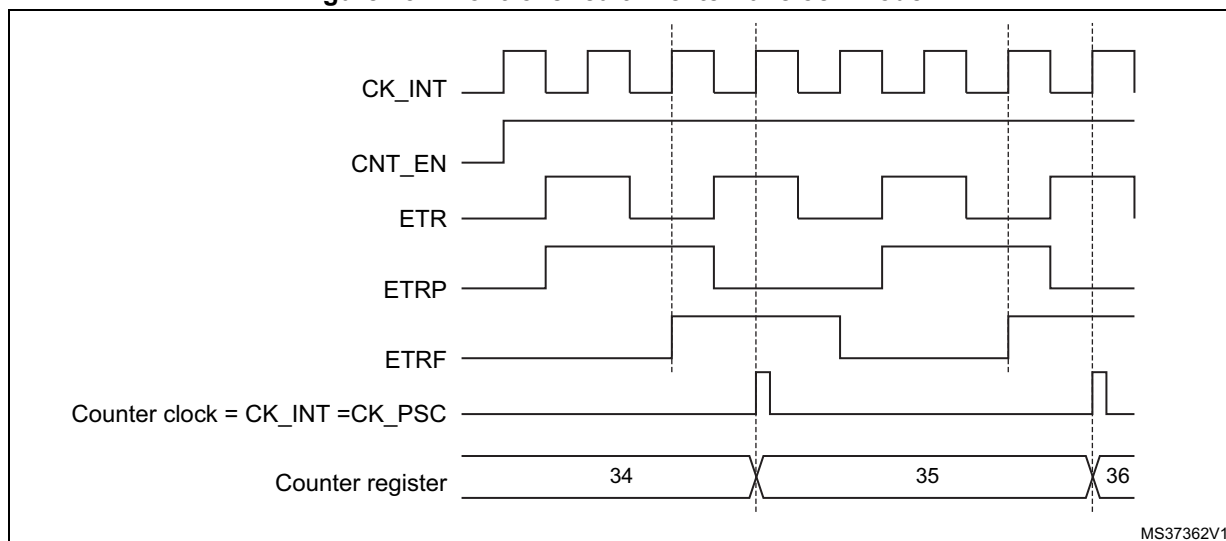
For example, to configure the upcounter to count each 2 rising edges on ETR, use the following procedure:

1. As no filter is needed in this example, write ETF[3:0]=0000 in the TIMx_SMCR register.
2. Set the prescaler by writing ETPS[1:0]=01 in the TIMx_SMCR register
3. Select rising edge detection on the ETR pin by writing ETP=0 in the TIMx_SMCR register
4. Enable external clock mode 2 by writing ECE=1 in the TIMx_SMCR register.
5. Enable the counter by writing CEN=1 in the TIMx_CR1 register.

The counter counts once each 2 ETR rising edges.

The delay between the rising edge on ETR and the actual clock of the counter is due to the resynchronization circuit on the ETRP signal.

Figure 137. Control circuit in external clock mode 2

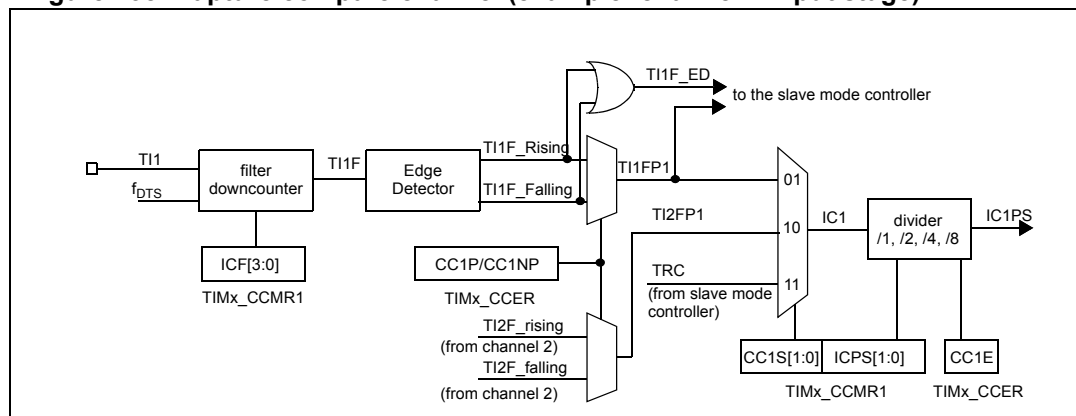


14.3.4 Capture/compare channels

Each Capture/Compare channel (see Figure 138) is built around a capture/compare register (including a shadow register), an input stage for capture (with digital filter, multiplexing and prescaler) and an output stage (with comparator and output control).

The input stage samples the corresponding T_{ix} input to generate a filtered signal T_{ix}F. Then, an edge detector with polarity selection generates a signal (T_{ix}FP_x) which can be used as trigger input by the slave mode controller or as the capture command. It is prescaled before the capture register (IC_xPS).

Figure 138. Capture/compare channel (example: channel 1 input stage)



The output stage generates an intermediate waveform which is then used for reference: OC_xRef (active high). The polarity acts at the end of the chain.

Figure 139. Capture/compare channel 1 main circuit

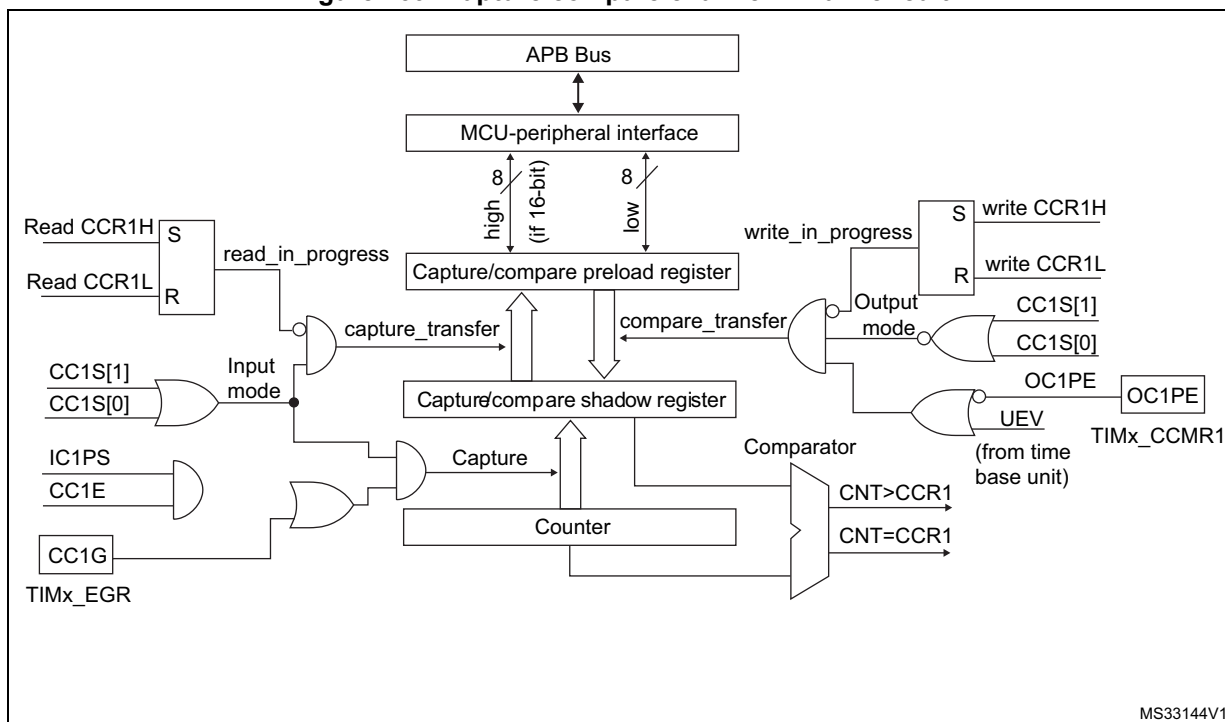
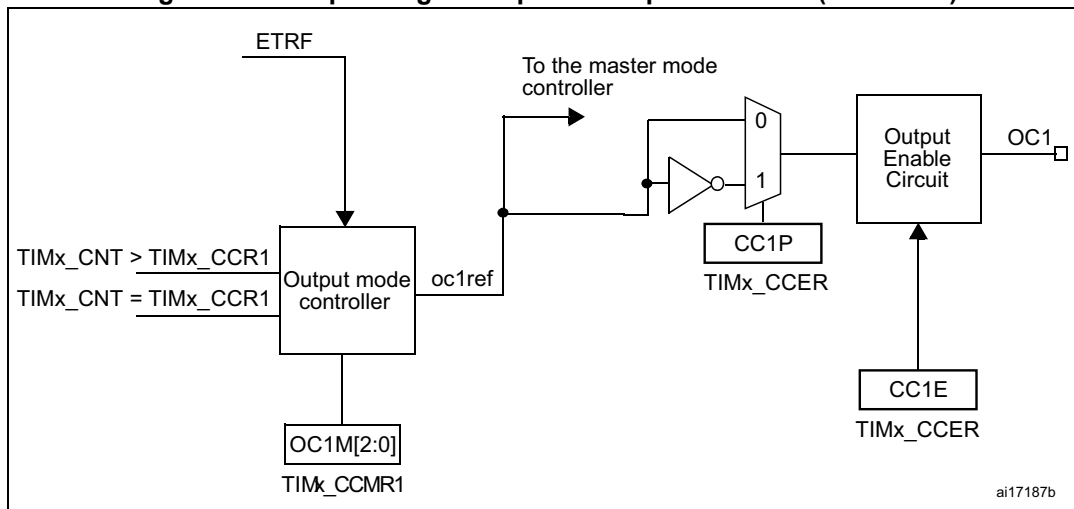


Figure 140. Output stage of capture/compare channel (channel 1)



The capture/compare block is made of one preload register and one shadow register. Write and read always access the preload register.

In capture mode, captures are actually done in the shadow register, which is copied into the preload register.

In compare mode, the content of the preload register is copied into the shadow register which is compared to the counter.

14.3.5 Input capture mode

In Input capture mode, the Capture/Compare registers (TIMx_CCRx) are used to latch the value of the counter after a transition detected by the corresponding ICx signal. When a capture occurs, the corresponding CCXIF flag (TIMx_SR register) is set and an interrupt or a DMA request can be sent if they are enabled. If a capture occurs while the CCxIF flag was already high, then the over-capture flag CCxOF (TIMx_SR register) is set. CCxIF can be cleared by software by writing it to 0 or by reading the captured data stored in the TIMx_CCRx register. CCxOF is cleared when written to 0.

The following example shows how to capture the counter value in TIMx_CCR1 when TI1 input rises. To do this, use the following procedure:

- Select the active input: TIMx_CCR1 must be linked to the TI1 input, so write the CC1S bits to 01 in the TIMx_CCMR1 register. As soon as CC1S becomes different from 00, the channel is configured in input and the TIMx_CCR1 register becomes read-only.
- Program the needed input filter duration with respect to the signal connected to the timer (by programming the ICxF bits in the TIMx_CCMRx register if the input is one of the TIx inputs). Let's imagine that, when toggling, the input signal is not stable during at most five internal clock cycles. We must program a filter duration longer than these five clock cycles. We can validate a transition on TI1 when eight consecutive samples with the new level have been detected (sampled at f_{DTS} frequency). Then write IC1F bits to 0011 in the TIMx_CCMR1 register.
- Select the edge of the active transition on the TI1 channel by writing the CC1P and CC1NP bits to 00 in the TIMx_CCER register (rising edge in this case).
- Program the input prescaler. In our example, we wish the capture to be performed at each valid transition, so the prescaler is disabled (write IC1PS bits to 00 in the TIMx_CCMR1 register).
- Enable capture from the counter into the capture register by setting the CC1E bit in the TIMx_CCER register.
- If needed, enable the related interrupt request by setting the CC1IE bit in the TIMx_DIER register, and/or the DMA request by setting the CC1DE bit in the TIMx_DIER register.

When an input capture occurs:

- The TIMx_CCR1 register gets the value of the counter on the active transition.
- CC1IF flag is set (interrupt flag). CC1OF is also set if at least two consecutive captures occurred whereas the flag was not cleared.
- An interrupt is generated depending on the CC1IE bit.
- A DMA request is generated depending on the CC1DE bit.

In order to handle the overcapture, it is recommended to read the data before the overcapture flag. This is to avoid missing an overcapture which could happen after reading the flag and before reading the data.

Note: IC interrupt and/or DMA requests can be generated by software by setting the corresponding CCxG bit in the TIMx_EGR register.

14.3.6 PWM input mode

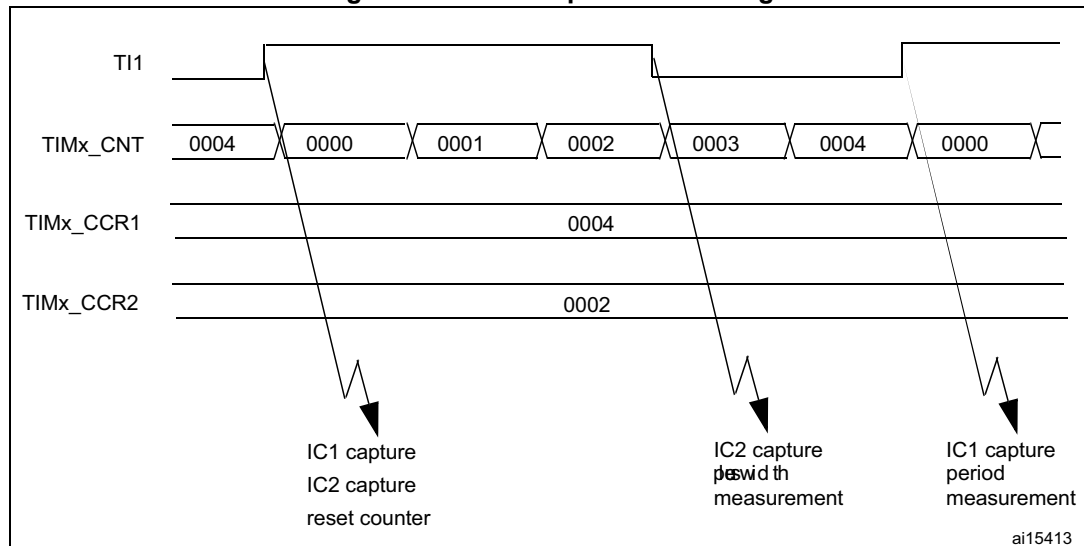
This mode is a particular case of input capture mode. The procedure is the same except:

- Two ICx signals are mapped on the same TIx input.
- These 2 ICx signals are active on edges with opposite polarity.
- One of the two TIxFP signals is selected as trigger input and the slave mode controller is configured in reset mode.

For example, the user can measure the period (in TIMx_CCR1 register) and the duty cycle (in TIMx_CCR2 register) of the PWM applied on TI1 using the following procedure (depending on CK_INT frequency and prescaler value):

- Select the active input for TIMx_CCR1: write the CC1S bits to 01 in the TIMx_CCMR1 register (TI1 selected).
- Select the active polarity for TI1FP1 (used both for capture in TIMx_CCR1 and counter clear): write the CC1P to '0' and the CC1NP bit to '0' (active on rising edge).
- Select the active input for TIMx_CCR2: write the CC2S bits to 10 in the TIMx_CCMR1 register (TI1 selected).
- Select the active polarity for TI1FP2 (used for capture in TIMx_CCR2): write the CC2P bit to '1' and the CC2NP bit to '0' (active on falling edge).
- Select the valid trigger input: write the TS bits to 101 in the TIMx_SMCR register (TI1FP1 selected).
- Configure the slave mode controller in reset mode: write the SMS bits to 100 in the TIMx_SMCR register.
- Enable the captures: write the CC1E and CC2E bits to '1' in the TIMx_CCER register.

Figure 141. PWM input mode timing



14.3.7 Forced output mode

In output mode (CCxS bits = 00 in the TIMx_CCMRx register), each output compare signal (OCxREF and then OCx) can be forced to active or inactive level directly by software, independently of any comparison between the output compare register and the counter.

To force an output compare signal (ocxref/OCx) to its active level, the user just needs to write 101 in the OCxM bits in the corresponding TIMx_CCMRx register. Thus ocxref is forced high (OCxREF is always active high) and OCx get opposite value to CCxP polarity bit.

e.g.: CCxP=0 (OCx active high) => OCx is forced to high level.

ocxref signal can be forced low by writing the OCxM bits to 100 in the TIMx_CCMRx register.

Anyway, the comparison between the TIMx_CCRx shadow register and the counter is still performed and allows the flag to be set. Interrupt and DMA requests can be sent accordingly. This is described in the next section.

14.3.8 Output compare mode

This function is used to control an output waveform or indicating when a period of time has elapsed.

When a match is found between the capture/compare register and the counter, the output compare function:

- Assigns the corresponding output pin to a programmable value defined by the output compare mode (OCxM bits in the TIMx_CCMRx register) and the output polarity (CCxP bit in the TIMx_CCER register). The output pin can keep its level (OCxM=000), be set active (OCxM=001), be set inactive (OCxM=010) or can toggle (OCxM=011) on match.
- Sets a flag in the interrupt status register (CCxIF bit in the TIMx_SR register).
- Generates an interrupt if the corresponding interrupt mask is set (CCxIE bit in the TIMx_DIER register).
- Sends a DMA request if the corresponding enable bit is set (CCxDE bit in the TIMx_DIER register, CCDS bit in the TIMx_CR2 register for the DMA request selection).

The TIMx_CCRx registers can be programmed with or without preload registers using the OCxPE bit in the TIMx_CCMRx register.

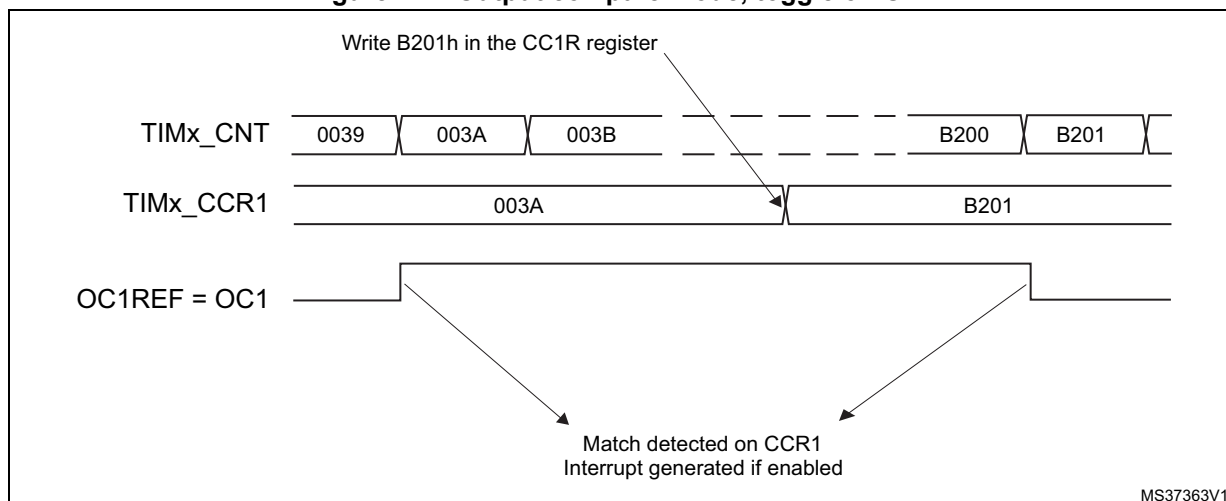
In output compare mode, the update event UEV has no effect on ocxref and OCx output. The timing resolution is one count of the counter. Output compare mode can also be used to output a single pulse (in One-pulse mode).

Procedure:

1. Select the counter clock (internal, external, prescaler).
2. Write the desired data in the TIMx_ARR and TIMx_CCRx registers.
3. Set the CCxIE and/or CCxDE bits if an interrupt and/or a DMA request is to be generated.
4. Select the output mode. For example, the user must write OCxM=011, OCxPE=0, CCxP=0 and CCxE=1 to toggle OCx output pin when CNT matches CCRx, CCRx preload is not used, OCx is enabled and active high.
5. Enable the counter by setting the CEN bit in the TIMx_CR1 register.

The TIMx_CCRx register can be updated at any time by software to control the output waveform, provided that the preload register is not enabled (OCxPE=0, else TIMx_CCRx shadow register is updated only at the next update event UEV). An example is given in Figure 142.

Figure 142. Output compare mode, toggle on OC1



14.3.9 PWM mode

Pulse width modulation mode allows generating a signal with a frequency determined by the value of the TIMx_ARR register and a duty cycle determined by the value of the TIMx_CCRx register.

The PWM mode can be selected independently on each channel (one PWM per OCx output) by writing 110 (PWM mode 1) or '111 (PWM mode 2) in the OCxM bits in the TIMx_CCMRx register. The user must enable the corresponding preload register by setting the OCxPE bit in the TIMx_CCMRx register, and eventually the auto-reload preload register by setting the ARPE bit in the TIMx_CR1 register.

As the preload registers are transferred to the shadow registers only when an update event occurs, before starting the counter, the user has to initialize all the registers by setting the UG bit in the TIMx_EGR register.

OCx polarity is software programmable using the CCxP bit in the TIMx_CCER register. It can be programmed as active high or active low. OCx output is enabled by the CCxE bit in the TIMx_CCER register. Refer to the TIMx_CCERx register description for more details.

In PWM mode (1 or 2), TIMx_CNT and TIMx_CCRx are always compared to determine whether $TIMx_CCRx \leq TIMx_CNT$ or $TIMx_CNT \leq TIMx_CCRx$ (depending on the direction of the counter). However, to comply with the ETRF (OCREF can be cleared by an external event through the ETR signal until the next PWM period), the OCREF signal is asserted only:

- When the result of the comparison changes, or
- When the output compare mode (OCxM bits in TIMx_CCMRx register) switches from the "frozen" configuration (no comparison, OCxM='000) to one of the PWM modes (OCxM='110 or '111).

This forces the PWM by software while the timer is running.

The timer is able to generate PWM in edge-aligned mode or center-aligned mode depending on the CMS bits in the TIMx_CR1 register.

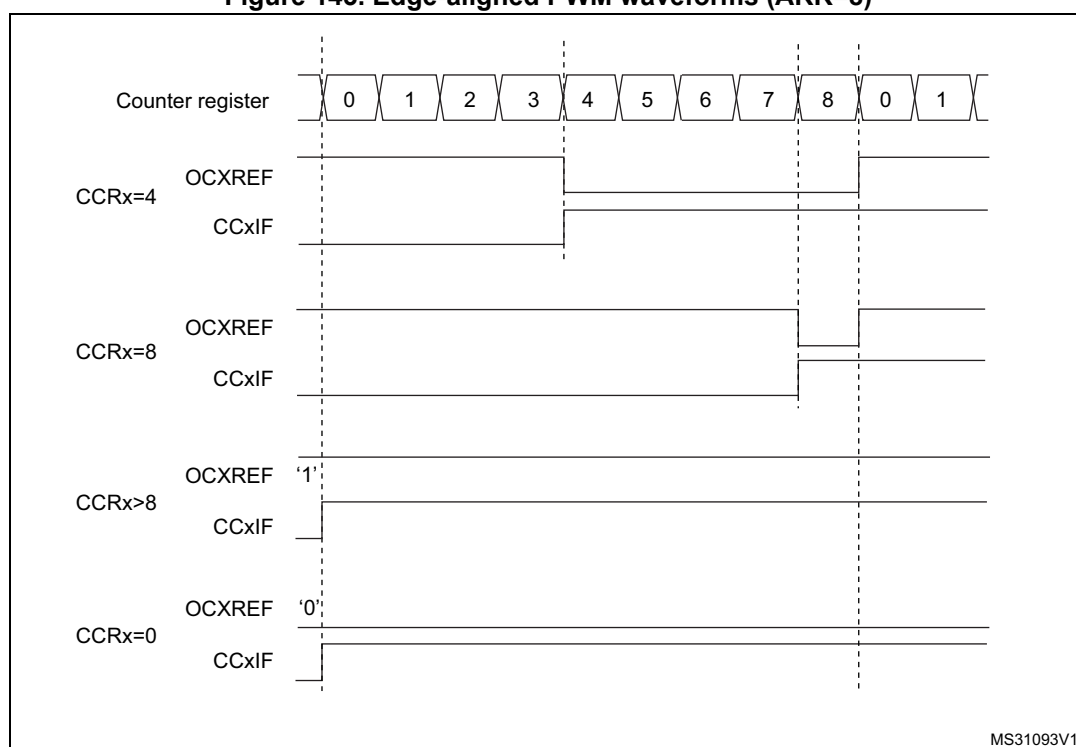
PWM edge-aligned mode

Upcounting configuration

Upcounting is active when the DIR bit in the TIMx_CR1 register is low. Refer to [Upcounting mode](#).

In the following example, we consider PWM mode 1. The reference PWM signal OCxREF is high as long as $TIMx_CNT < TIMx_CCRx$ else it becomes low. If the compare value in TIMx_CCRx is greater than the auto-reload value (in TIMx_ARR) then OCxREF is held at '1'. If the compare value is 0 then OCxREF is held at '0'. [Figure 143](#) shows some edge-aligned PWM waveforms in an example where $TIMx_ARR=8$.

Figure 143. Edge-aligned PWM waveforms (ARR=8)



Downcounting configuration

Downcounting is active when DIR bit in TIMx_CR1 register is high. Refer to [Downcounting mode](#).

In PWM mode 1, the reference signal ocxref is low as long as $TIMx_CNT > TIMx_CCRx$ else it becomes high. If the compare value in TIMx_CCRx is greater than the auto-reload value in TIMx_ARR, then ocxref is held at '1'. 0% PWM is not possible in this mode.

PWM center-aligned mode

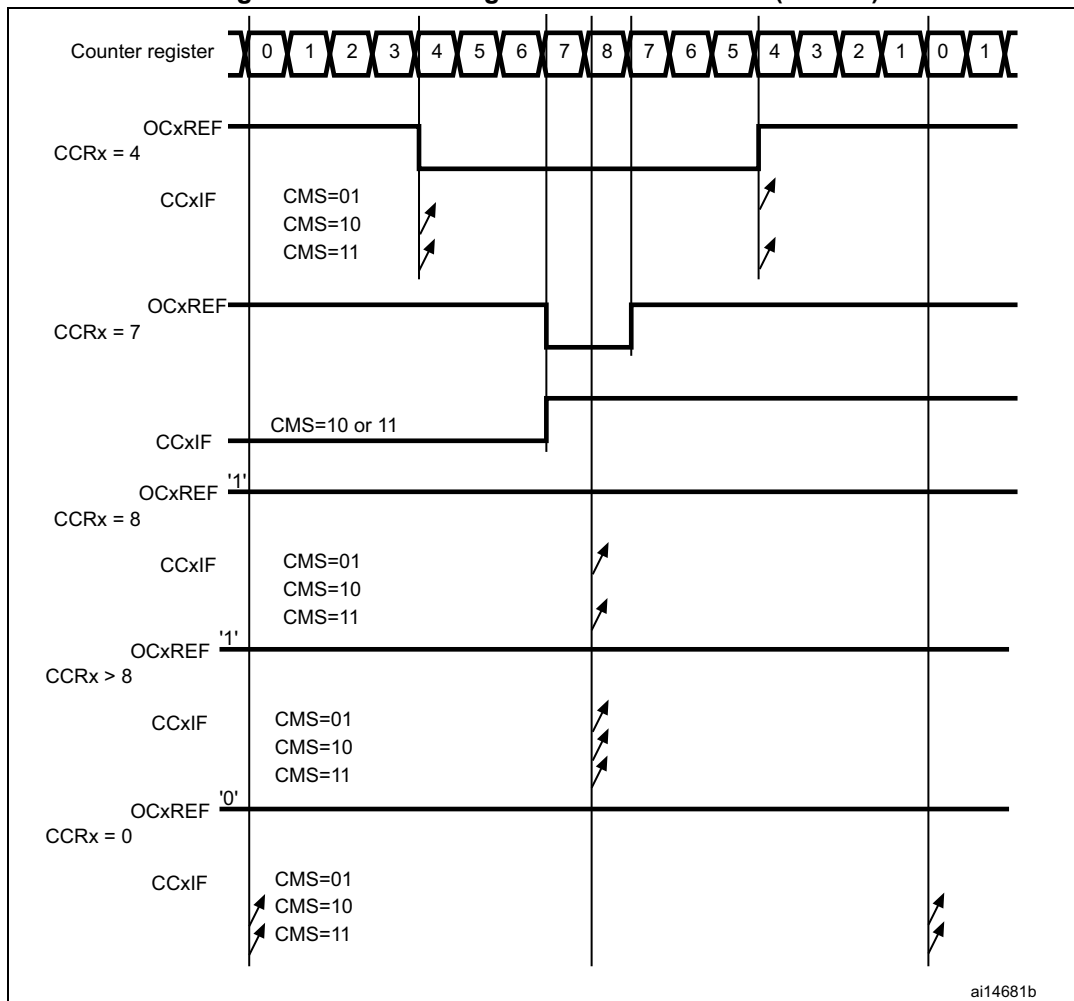
Center-aligned mode is active when the CMS bits in TIMx_CR1 register are different from '00' (all the remaining configurations having the same effect on the ocxref/OCx signals). The compare flag is set when the counter counts up, when it counts down or both when it counts

up and down depending on the CMS bits configuration. The direction bit (DIR) in the TIMx_CR1 register is updated by hardware and must not be changed by software. Refer to [Center-aligned mode \(up/down counting\)](#).

Figure 144 shows some center-aligned PWM waveforms in an example where:

- TIMx_ARR=8,
- PWM mode is the PWM mode 1,
- The flag is set when the counter counts down corresponding to the center-aligned mode 1 selected for CMS=01 in TIMx_CR1 register.

Figure 144. Center-aligned PWM waveforms (ARR=8)



Hints on using center-aligned mode:

- When starting in center-aligned mode, the current up-down configuration is used. It means that the counter counts up or down depending on the value written in the DIR bit

in the TIMx_CR1 register. Moreover, the DIR and CMS bits must not be changed at the same time by the software.

- Writing to the counter while running in center-aligned mode is not recommended as it can lead to unexpected results. In particular:
 - The direction is not updated if the user writes a value in the counter that is greater than the auto-reload value ($TIMx_CNT > TIMx_ARR$). For example, if the counter was counting up, it continues to count up.
 - The direction is updated if the user writes 0 or write the TIMx_ARR value in the counter but no Update Event UEV is generated.
- The safest way to use center-aligned mode is to generate an update by software (setting the UG bit in the TIMx_EGR register) just before starting the counter and not to write the counter while it is running.

14.3.10 One-pulse mode

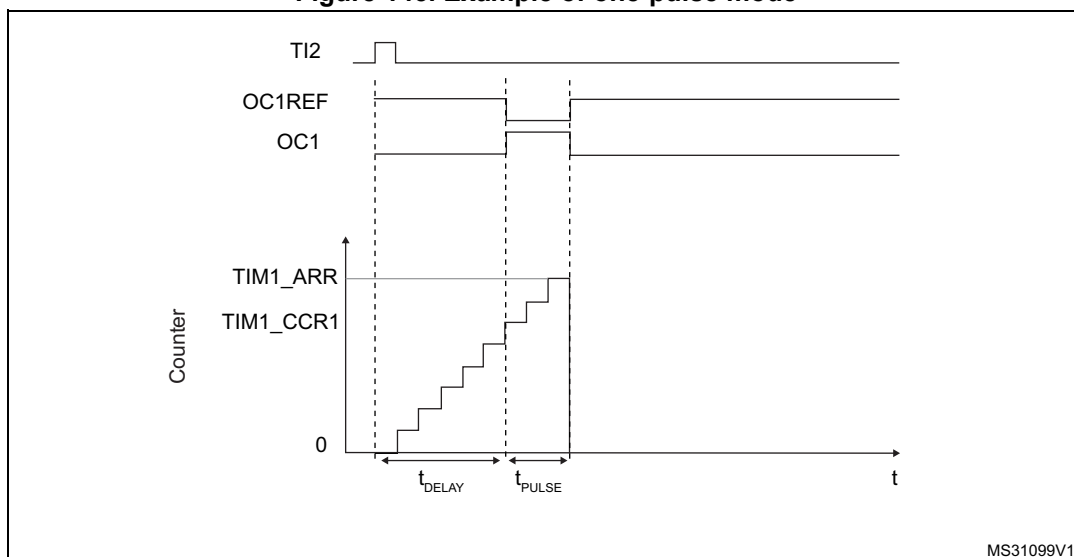
One-pulse mode (OPM) is a particular case of the previous modes. It allows the counter to be started in response to a stimulus and to generate a pulse with a programmable length after a programmable delay.

Starting the counter can be controlled through the slave mode controller. Generating the waveform can be done in output compare mode or PWM mode. Select One-pulse mode by setting the OPM bit in the TIMx_CR1 register. This makes the counter stop automatically at the next update event UEV.

A pulse can be correctly generated only if the compare value is different from the counter initial value. Before starting (when the timer is waiting for the trigger), the configuration must be:

- In upcounting: $CNT < CCRx \leq ARR$ (in particular, $0 < CCRx$),
- In downcounting: $CNT > CCRx$.

Figure 145. Example of one-pulse mode



MS31099V1

For example the user may want to generate a positive pulse on OC1 with a length of t_{PULSE} and after a delay of t_{DELAY} as soon as a positive edge is detected on the TI2 input pin.

Let's use TI2FP2 as trigger 1:

- Map TI2FP2 on TI2 by writing CC2S=01 in the TIMx_CCMR1 register.
- TI2FP2 must detect a rising edge, write CC2P=0 and CC2NP='0' in the TIMx_CCER register.
- Configure TI2FP2 as trigger for the slave mode controller (TRGI) by writing TS=110 in the TIMx_SMCR register.
- TI2FP2 is used to start the counter by writing SMS to '110 in the TIMx_SMCR register (trigger mode).

The OPM waveform is defined by writing the compare registers (taking into account the clock frequency and the counter prescaler).

- The t_{DELAY} is defined by the value written in the TIMx_CCR1 register.
- The t_{PULSE} is defined by the difference between the auto-reload value and the compare value (TIMx_ARR - TIMx_CCR + 1).
- Let us say user wants to build a waveform with a transition from '0 to '1 when a compare match occurs and a transition from '1 to '0 when the counter reaches the auto-reload value. To do this enable PWM mode 2 by writing OC1M=111 in the TIMx_CCMR1 register. The user can optionally enable the preload registers by writing OC1PE=1 in the TIMx_CCMR1 register and ARPE in the TIMx_CR1 register. In this case write the compare value in the TIMx_CCR1 register, the auto-reload value in the TIMx_ARR register, generate an update by setting the UG bit and wait for external trigger event on TI2. CC1P is written to '0 in this example.

In our example, the DIR and CMS bits in the TIMx_CR1 register should be low.

User only wants one pulse (Single mode), so write '1 in the OPM bit in the TIMx_CR1 register to stop the counter at the next update event (when the counter rolls over from the auto-reload value back to 0). When OPM bit in the TIMx_CR1 register is set to '0', so the Repetitive mode is selected.

Particular case: OCx fast enable:

In One-pulse mode, the edge detection on Tlx input set the CEN bit which enables the counter. Then the comparison between the counter and the compare value makes the output toggle. But several clock cycles are needed for these operations and it limits the minimum delay t_{DELAY} min we can get.

To output a waveform with the minimum delay, the user can set the OCxFE bit in the TIMx_CCMRx register. Then OCxRef (and OCx) is forced in response to the stimulus, without taking in account the comparison. Its new level is the same as if a compare match had occurred. OCxFE acts only if the channel is configured in PWM1 or PWM2 mode.

14.3.11 Clearing the OCxREF signal on an external event

The OCxREF signal for a given channel can be driven Low by applying a High level to the ETRF input (OCxCE enable bit of the corresponding TIMx_CCMRx register set to '1'). The OCxREF signal remains Low until the next update event, UEV, occurs.

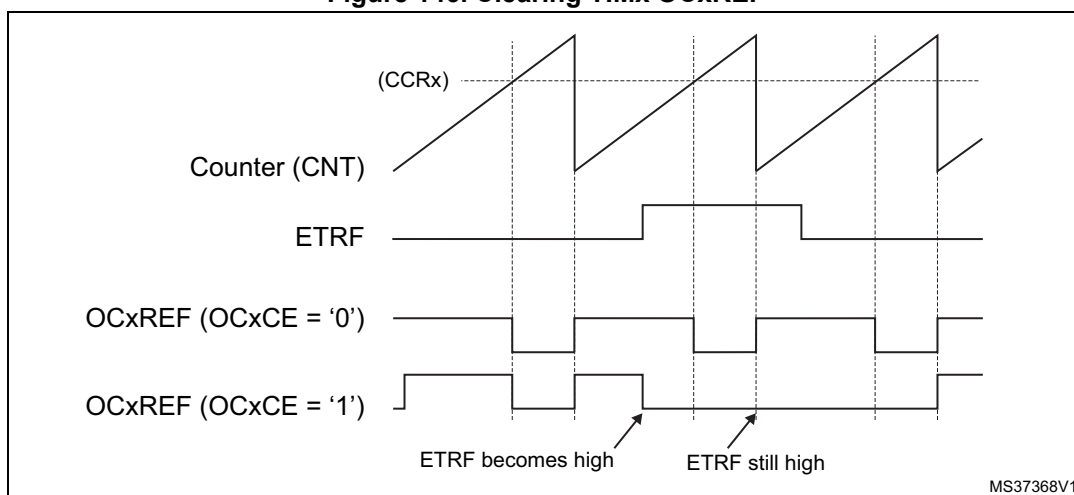
This function can only be used in output compare and PWM modes, and does not work in forced mode.

For example, the ETR signal can be connected to the output of a comparator to be used for current handling. In this case, ETR must be configured as follows:

1. The external trigger prescaler should be kept off: bits ETPS[1:0] in the TIMx_SMCR register are cleared to 00.
2. The external clock mode 2 must be disabled: bit ECE in the TIM1_SMCR register is cleared to 0.
3. The external trigger polarity (ETP) and the external trigger filter (ETF) can be configured according to the application's needs.

Figure 146 shows the behavior of the OCxREF signal when the ETRF input becomes high, for both values of the OCxCE enable bit. In this example, the timer TIMx is programmed in PWM mode.

Figure 146. Clearing TIMx OCxREF



1. In case of a PWM with a 100% duty cycle (if CCRx>ARR), OCxREF is enabled again at the next counter overflow.

14.3.12 Encoder interface mode

To select Encoder Interface mode write SMS='001' in the TIMx_SMCR register if the counter is counting on TI2 edges only, SMS=010 if it is counting on TI1 edges only and SMS=011 if it is counting on both TI1 and TI2 edges.

Select the TI1 and TI2 polarity by programming the CC1P and CC2P bits in the TIMx_CCER register. CC1NP and CC2NP must be kept cleared. When needed, program the input filter as well.

The two inputs TI1 and TI2 are used to interface to an incremental encoder. Refer to Table 59. The counter is clocked by each valid transition on TI1FP1 or TI2FP2 (TI1 and TI2 after input filter and polarity selection, TI1FP1=TI1 if not filtered and not inverted, TI2FP2=TI2 if not filtered and not inverted) assuming that it is enabled (CEN bit in TIMx_CR1 register written to '1'). The sequence of transitions of the two inputs is evaluated and generates count pulses as well as the direction signal. Depending on the sequence the counter counts up or down, the DIR bit in the TIMx_CR1 register is modified by hardware accordingly. The DIR bit is calculated at each transition on any input (TI1 or TI2), whatever the counter is counting on TI1 only, TI2 only or both TI1 and TI2.

Encoder interface mode acts simply as an external clock with direction selection. This means that the counter just counts continuously between 0 and the auto-reload value in the TIMx_ARR register (0 to ARR or ARR down to 0 depending on the direction). So the user

must configure TIMx_ARR before starting. In the same way, the capture, compare, prescaler, trigger output features continue to work as normal.

In this mode, the counter is modified automatically following the speed and the direction of the incremental encoder and its content, therefore, always represents the encoder's position. The count direction correspond to the rotation direction of the connected sensor. The table summarizes the possible combinations, assuming TI1 and TI2 do not switch at the same time.

Table 59. Counting direction versus encoder signals

Active edge	Level on opposite signal (TI1FP1 for TI2, TI2FP2 for TI1)	TI1FP1 signal		TI2FP2 signal	
		Rising	Falling	Rising	Falling
Counting on TI1 only	High	Down	Up	No Count	No Count
	Low	Up	Down	No Count	No Count
Counting on TI2 only	High	No Count	No Count	Up	Down
	Low	No Count	No Count	Down	Up
Counting on TI1 and TI2	High	Down	Up	Up	Down
	Low	Up	Down	Down	Up

An external incremental encoder can be connected directly to the MCU without external interface logic. However, comparators are normally be used to convert the encoder's differential outputs to digital signals. This greatly increases noise immunity. The third encoder output which indicate the mechanical zero position, may be connected to an external interrupt input and trigger a counter reset.

Figure 147 gives an example of counter operation, showing count signal generation and direction control. It also shows how input jitter is compensated where both edges are selected. This might occur if the sensor is positioned near to one of the switching points. For this example we assume that the configuration is the following:

- CC1S= '01' (TIMx_CCMR1 register, TI1FP1 mapped on TI1)
- CC2S= '01' (TIMx_CCMR1 register, TI2FP2 mapped on TI2)
- CC1P= '0', CC1NP = '0', IC1F = '0000' (TIMx_CCER register, TI1FP1 noninverted, TI1FP1=TI1)
- CC2P= '0', CC2NP = '0', IC2F = '0000' (TIMx_CCER register, TI2FP2 noninverted, TI2FP2=TI2)
- SMS= '011' (TIMx_SMCR register, both inputs are active on both rising and falling edges)
- CEN = 1 (TIMx_CR1 register, Counter is enabled)

Figure 147. Example of counter operation in encoder interface mode

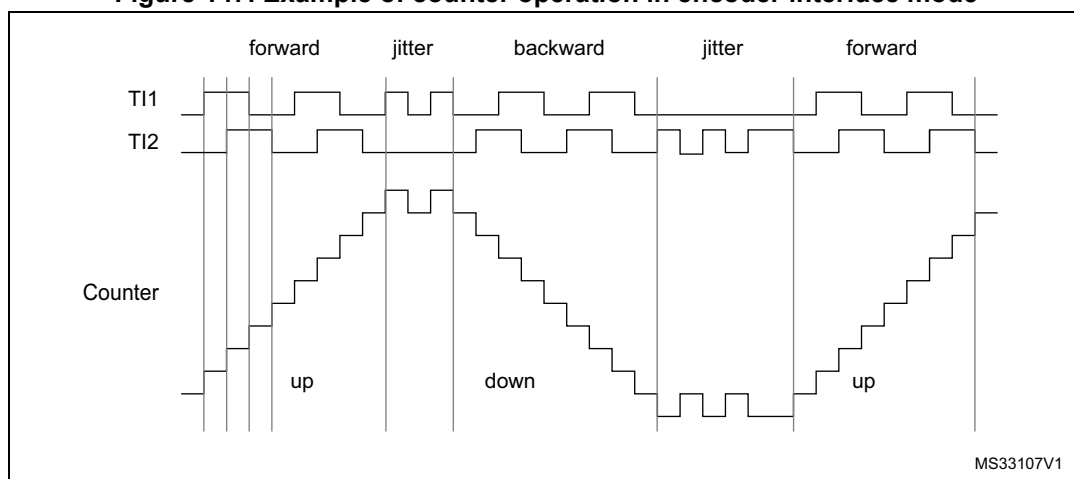
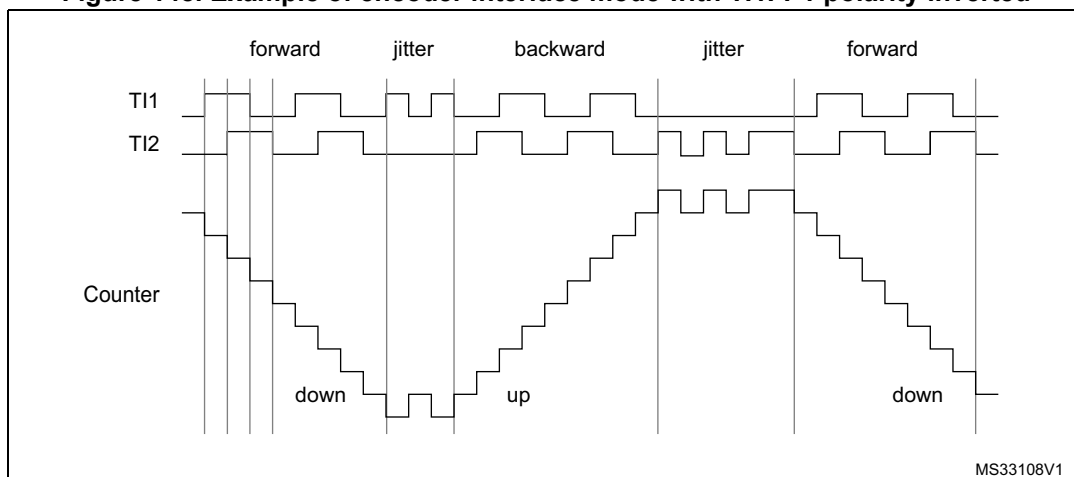


Figure 148 gives an example of counter behavior when TI1FP1 polarity is inverted (same configuration as above except CC1P=1).

Figure 148. Example of encoder interface mode with TI1FP1 polarity inverted



The timer, when configured in Encoder Interface mode provides information on the sensor's current position. The user can obtain dynamic information (speed, acceleration, deceleration) by measuring the period between two encoder events using a second timer configured in capture mode. The output of the encoder which indicates the mechanical zero can be used for this purpose. Depending on the time between two events, the counter can also be read at regular times. The user can do this by latching the counter value into a third input capture register if available (then the capture signal must be periodic and can be generated by another timer). when available, it is also possible to read its value through a DMA request generated by a Real-Time clock.

14.3.13 Timer input XOR function

The TI1S bit in the TIM1_CR2 register, allows the input filter of channel 1 to be connected to the output of a XOR gate, combining the three input pins TIMx_CH1 to TIMx_CH3.

The XOR output can be used with all the timer input functions such as trigger or input capture.

An example of this feature used to interface Hall sensors is given in [Section 13.3.18](#).

14.3.14 Timers and external trigger synchronization

The TIMx Timers can be synchronized with an external trigger in several modes: Reset mode, Gated mode and Trigger mode.

Slave mode: Reset mode

The counter and its prescaler can be reinitialized in response to an event on a trigger input. Moreover, if the URS bit from the TIMx_CR1 register is low, an update event UEV is generated. Then all the preloaded registers (TIMx_ARR, TIMx_CCRx) are updated.

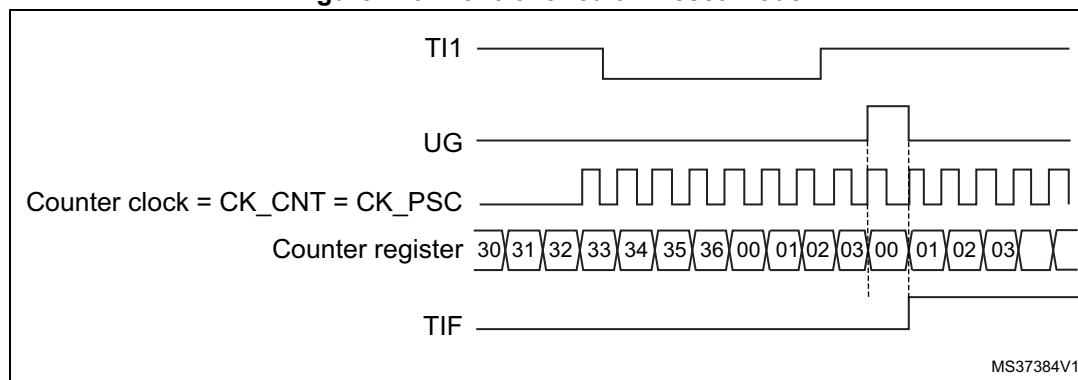
In the following example, the upcounter is cleared in response to a rising edge on TI1 input:

- Configure the channel 1 to detect rising edges on TI1. Configure the input filter duration (in this example, no need of any filter, IC1F=0000 kept). The capture prescaler is not used for triggering, so the user does not need to configure it. The CC1S bits select the input capture source only, CC1S = 01 in the TIMx_CCMR1 register. Write CC1P=0 and CC1NP=0 in TIMx_CCER register to validate the polarity (and detect rising edges only).
- Configure the timer in reset mode by writing SMS=100 in TIMx_SMCR register. Select TI1 as the input source by writing TS=101 in TIMx_SMCR register.
- Start the counter by writing CEN=1 in the TIMx_CR1 register.

The counter starts counting on the internal clock, then behaves normally until TI1 rising edge. When TI1 rises, the counter is cleared and restarts from 0. In the meantime, the trigger flag is set (TIF bit in the TIMx_SR register) and an interrupt request, or a DMA request can be sent if enabled (depending on the TIE and TDE bits in TIMx_DIER register).

[Figure 149](#) shows this behavior when the auto-reload register TIMx_ARR=0x36. The delay between the rising edge on TI1 and the actual reset of the counter is due to the resynchronization circuit on TI1 input.

Figure 149. Control circuit in reset mode



Slave mode: Gated mode

The counter can be enabled depending on the level of a selected input.

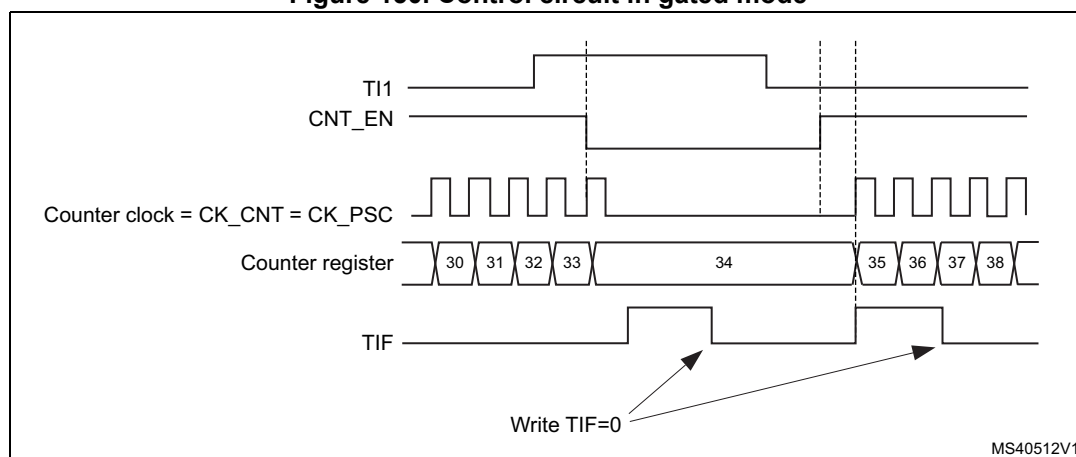
In the following example, the upcounter counts only when TI1 input is low:

- Configure the channel 1 to detect low levels on TI1. Configure the input filter duration (in this example, no need of any filter, IC1F=0000 kept). The capture prescaler is not used for triggering, so the user does not need to configure it. The CC1S bits select the input capture source only, CC1S=01 in TIMx_CCMR1 register. Write CC1P=1 and CC1NP=0 in TIMx_CCER register to validate the polarity (and detect low level only).
- Configure the timer in gated mode by writing SMS=101 in TIMx_SMCR register. Select TI1 as the input source by writing TS=101 in TIMx_SMCR register.
- Enable the counter by writing CEN=1 in the TIMx_CR1 register (in gated mode, the counter does not start if CEN=0, whatever is the trigger input level).

The counter starts counting on the internal clock as long as TI1 is low and stops as soon as TI1 becomes high. The TIF flag in the TIMx_SR register is set both when the counter starts or stops.

The delay between the rising edge on TI1 and the actual stop of the counter is due to the resynchronization circuit on TI1 input.

Figure 150. Control circuit in gated mode



1. The configuration "CCxP=CCxNP=1" (detection of both rising and falling edges) does not have any effect in gated mode because gated mode acts on a level and not on an edge.

Slave mode: Trigger mode

The counter can start in response to an event on a selected input.

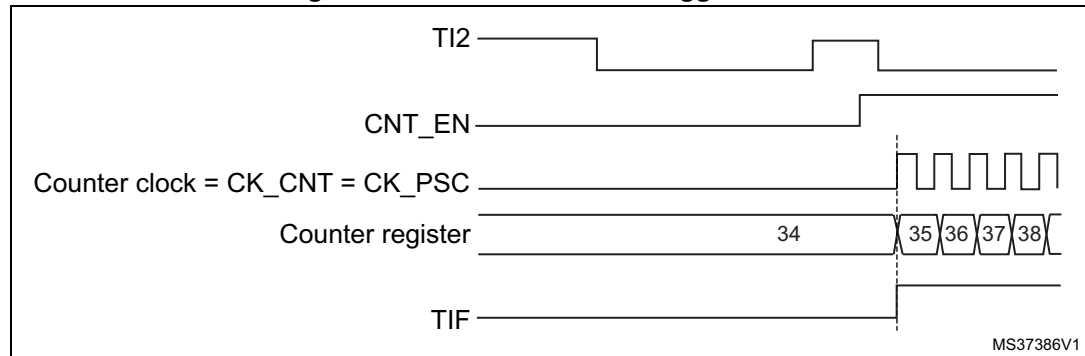
In the following example, the upcounter starts in response to a rising edge on TI2 input:

- Configure the channel 2 to detect rising edges on TI2. Configure the input filter duration (in this example, no need of any filter, IC2F=0000 kept). The capture prescaler is not used for triggering, so the user does not need to configure it. CC2S bits are selecting the input capture source only, CC2S=01 in TIMx_CCMR1 register. Write CC2P=1 and CC2NP=0 in TIMx_CCER register to validate the polarity (and detect low level only).
- Configure the timer in trigger mode by writing SMS=110 in TIMx_SMCR register. Select TI2 as the input source by writing TS=110 in TIMx_SMCR register.

When a rising edge occurs on TI2, the counter starts counting on the internal clock and the TIF flag is set.

The delay between the rising edge on TI2 and the actual start of the counter is due to the resynchronization circuit on TI2 input.

Figure 151. Control circuit in trigger mode



Slave mode: External Clock mode 2 + trigger mode

The external clock mode 2 can be used in addition to another slave mode (except external clock mode 1 and encoder mode). In this case, the ETR signal is used as external clock input, and another input can be selected as trigger input when operating in reset mode, gated mode or trigger mode. It is recommended not to select ETR as TRGI through the TS bits of TIMx_SMCR register.

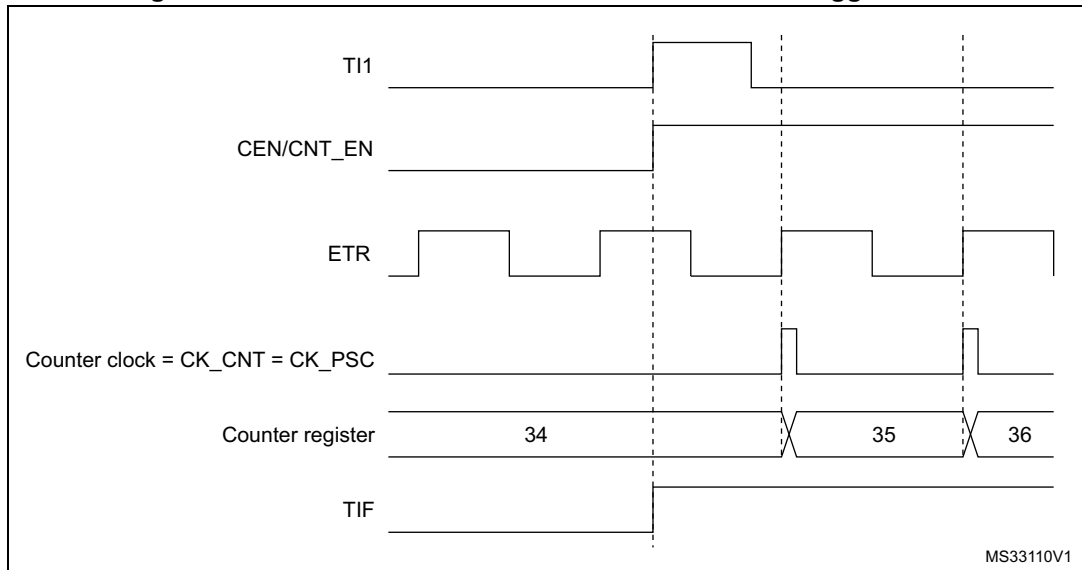
In the following example, the upcounter is incremented at each rising edge of the ETR signal as soon as a rising edge of TI1 occurs:

1. Configure the external trigger input circuit by programming the TIMx_SMCR register as follows:
 - ETF = 0000: no filter
 - ETPS = 00: prescaler disabled
 - ETP = 0: detection of rising edges on ETR and ECE=1 to enable the external clock mode 2.
2. Configure the channel 1 as follows, to detect rising edges on TI:
 - IC1F = 0000: no filter.
 - The capture prescaler is not used for triggering and does not need to be configured.
 - CC1S = 01 in TIMx_CCMR1 register to select only the input capture source
 - CC1P = 0 and CC1NP = 0 in TIMx_CCER register to validate the polarity (and detect rising edge only).
3. Configure the timer in trigger mode by writing SMS=110 in TIMx_SMCR register. Select TI1 as the input source by writing TS=101 in TIMx_SMCR register.

A rising edge on TI1 enables the counter and sets the TIF flag. The counter then counts on ETR rising edges.

The delay between the rising edge of the ETR signal and the actual reset of the counter is due to the resynchronization circuit on ETRP input.

Figure 152. Control circuit in external clock mode 2 + trigger mode



14.3.15 Timer synchronization

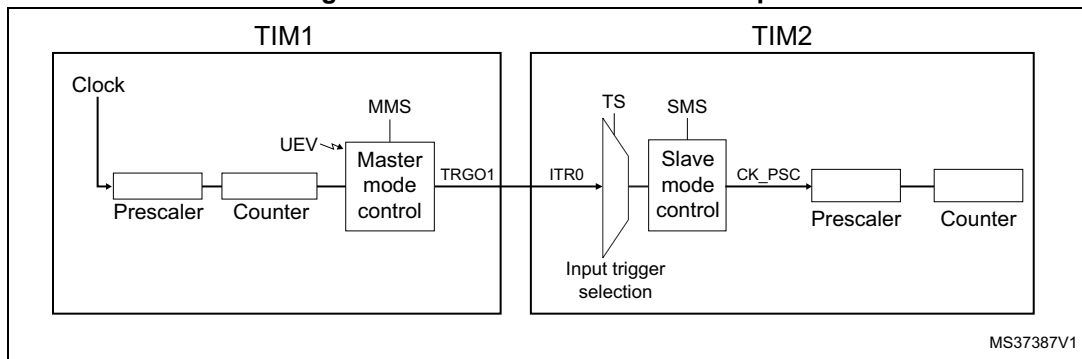
The TIMx timers are linked together internally for timer synchronization or chaining. When one Timer is configured in Master mode, it can reset, start, stop or clock the counter of another Timer configured in Slave mode.

Figure 153 presents an overview of the trigger selection and the master mode selection blocks.

Note: The clock of the slave timer must be enabled prior to receiving events from the master timer, and must not be changed on-the-fly while triggers are received from the master timer.

Using one timer as prescaler for another timer

Figure 153. Master/Slave timer example



For example, the user can configure Timer 1 to act as a prescaler for Timer 2 (see [Figure 153](#)). To do this:

- Configure Timer 1 in master mode so that it outputs a periodic trigger signal on each update event UEV. If you write MMS=010 in the TIM1_CR2 register, a rising edge is output on TRGO1 each time an update event is generated.
- To connect the TRGO1 output of Timer 1 to Timer 2, Timer 2 must be configured in slave mode using ITR0 as internal trigger. You select this through the TS bits in the TIM2_SMCR register (writing TS=000).
- Then you put the slave mode controller in external clock mode 1 (write SMS=111 in the TIM2_SMCR register). This causes Timer 2 to be clocked by the rising edge of the periodic Timer 1 trigger signal (which correspond to the timer 1 counter overflow).
- Finally both timers must be enabled by setting their respective CEN bits (TIMx_CR1 register).

Note: If OCx is selected on Timer 1 as trigger output (MMS=1xx), its rising edge is used to clock the counter of timer 2.

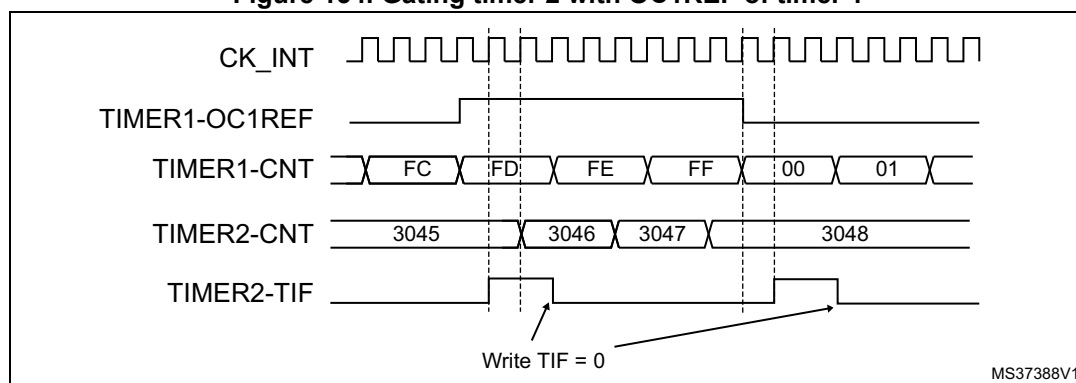
Using one timer to enable another timer

In this example, we control the enable of Timer 2 with the output compare 1 of Timer 1. Refer to [Figure 153](#) for connections. Timer 2 counts on the divided internal clock only when OC1REF of Timer 1 is high. Both counter clock frequencies are divided by 3 by the prescaler compared to CK_INT ($f_{CK_CNT} = f_{CK_INT}/3$).

- Configure Timer 1 master mode to send its Output compare 1 Reference (OC1REF) signal as trigger output (MMS=100 in the TIM1_CR2 register).
- Configure the Timer 1 OC1REF waveform (TIM1_CCMR1 register).
- Configure Timer 2 to get the input trigger from Timer 1 (TS=000 in the TIM2_SMCR register).
- Configure Timer 2 in gated mode (SMS=101 in TIM2_SMCR register).
- Enable Timer 2 by writing '1' in the CEN bit (TIM2_CR1 register).
- Start Timer 1 by writing '1' in the CEN bit (TIM1_CR1 register).

Note: The counter 2 clock is not synchronized with counter 1, this mode only affects the Timer 2 counter enable signal.

Figure 154. Gating timer 2 with OC1REF of timer 1



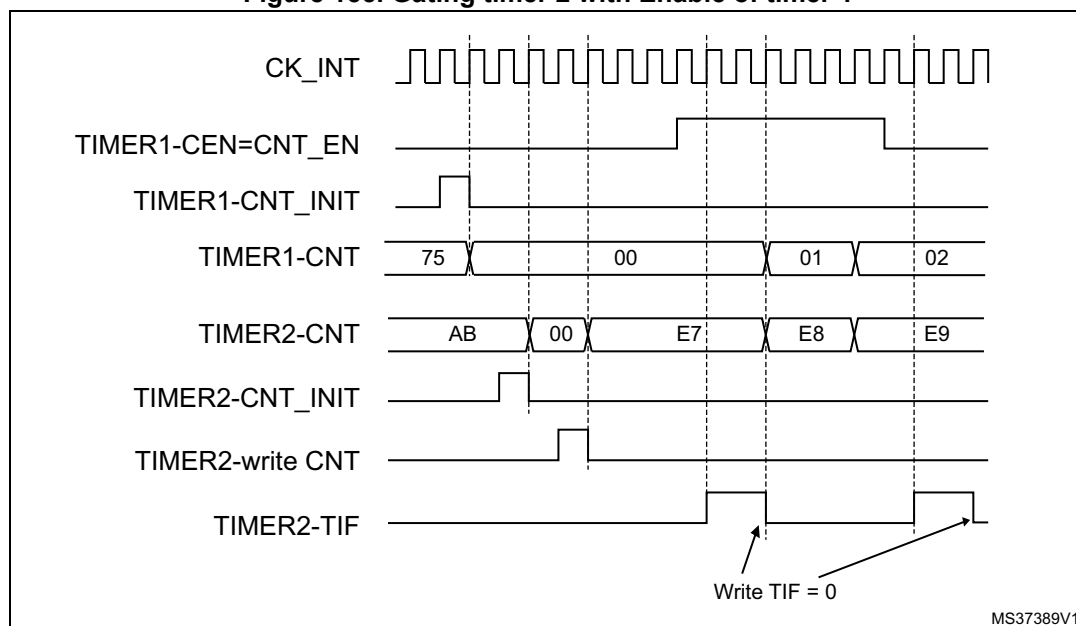
In the example in [Figure 154](#), the Timer 2 counter and prescaler are not initialized before being started. So they start counting from their current value. It is possible to start from a given value by resetting both timers before starting Timer 1. You can then write any value

you want in the timer counters. The timers can easily be reset by software using the UG bit in the TIMx_EGR registers.

In the next example, we synchronize Timer 1 and Timer 2. Timer 1 is the master and starts from 0. Timer 2 is the slave and starts from 0xE7. The prescaler ratio is the same for both timers. Timer 2 stops when Timer 1 is disabled by writing '0 to the CEN bit in the TIM1_CR1 register:

- Configure Timer 1 master mode to send its Output compare 1 Reference (OC1REF) signal as trigger output (MMS=100 in the TIM1_CR2 register).
- Configure the Timer 1 OC1REF waveform (TIM1_CCMR1 register).
- Configure Timer 2 to get the input trigger from Timer 1 (TS=000 in the TIM2_SMCR register).
- Configure Timer 2 in gated mode (SMS=101 in TIM2_SMCR register).
- Reset Timer 1 by writing '1 in UG bit (TIM1_EGR register).
- Reset Timer 2 by writing '1 in UG bit (TIM2_EGR register).
- Initialize Timer 2 to 0xE7 by writing '0xE7' in the timer 2 counter (TIM2_CNTL).
- Enable Timer 2 by writing '1 in the CEN bit (TIM2_CR1 register).
- Start Timer 1 by writing '1 in the CEN bit (TIM1_CR1 register).
- Stop Timer 1 by writing '0 in the CEN bit (TIM1_CR1 register).

Figure 155. Gating timer 2 with Enable of timer 1



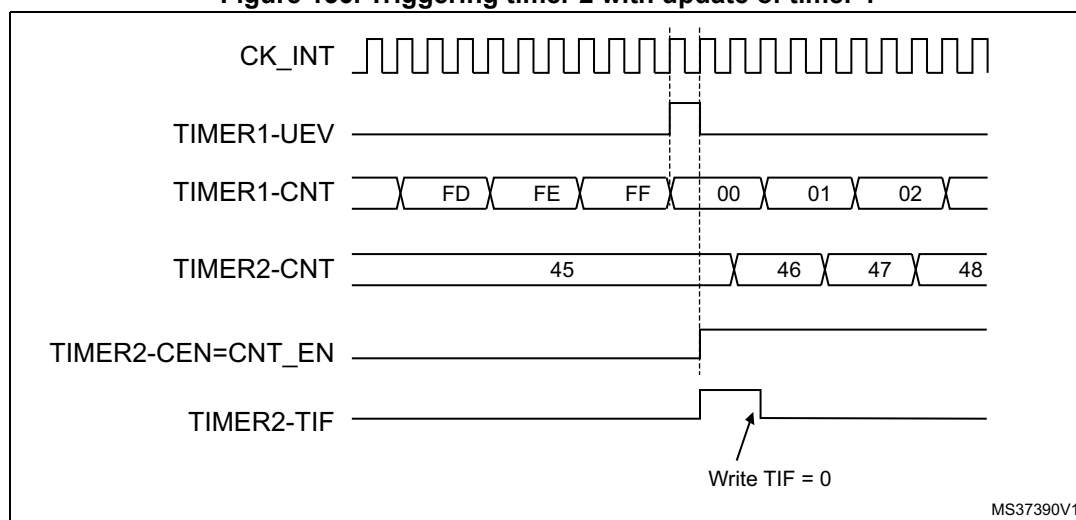
MS37389V1

Using one timer to start another timer

In this example, we set the enable of Timer 2 with the update event of Timer 1. Refer to [Figure 153](#) for connections. Timer 2 starts counting from its current value (which can be nonzero) on the divided internal clock as soon as the update event is generated by Timer 1. When Timer 2 receives the trigger signal its CEN bit is automatically set and the counter counts until we write '0 to the CEN bit in the TIM2_CR1 register. Both counter clock frequencies are divided by 3 by the prescaler compared to CK_INT ($f_{CK_CNT} = f_{CK_INT}/3$).

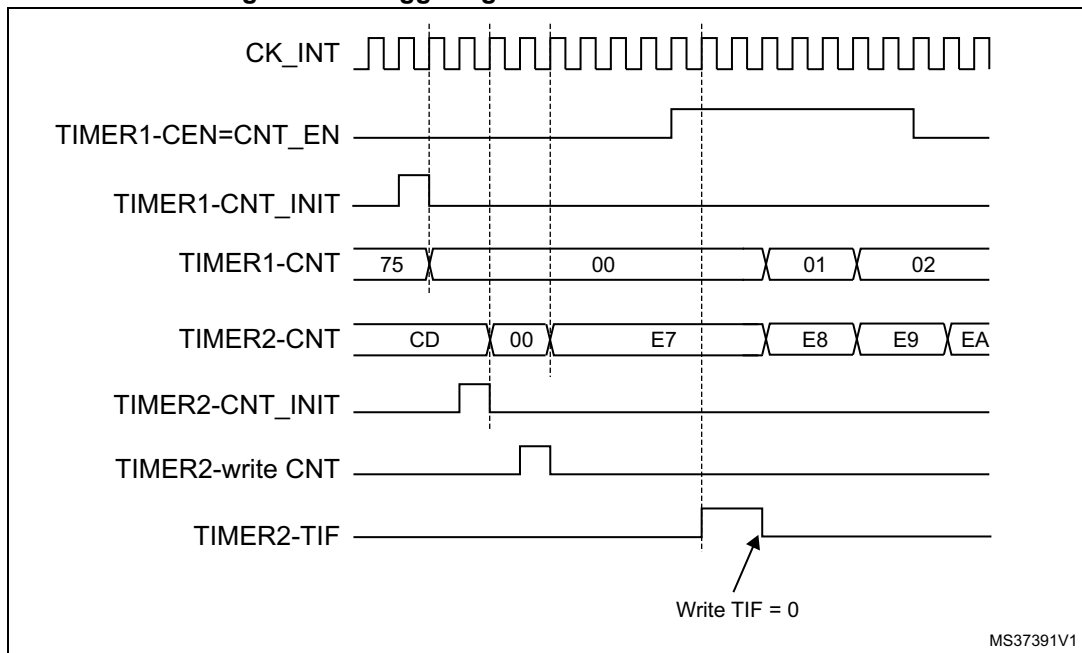
- Configure Timer 1 master mode to send its Update Event (UEV) as trigger output (MMS=010 in the TIM1_CR2 register).
- Configure the Timer 1 period (TIM1_ARR registers).
- Configure Timer 2 to get the input trigger from Timer 1 (TS=000 in the TIM2_SMCR register).
- Configure Timer 2 in trigger mode (SMS=110 in TIM2_SMCR register).
- Start Timer 1 by writing '1 in the CEN bit (TIM1_CR1 register).

Figure 156. Triggering timer 2 with update of timer 1



As in the previous example, the user can initialize both counters before starting counting. [Figure 157](#) shows the behavior with the same configuration as in [Figure 156](#) but in trigger mode instead of gated mode (SMS=110 in the TIM2_SMCR register).

Figure 157. Triggering timer 2 with Enable of timer 1



Starting 2 timers synchronously in response to an external trigger

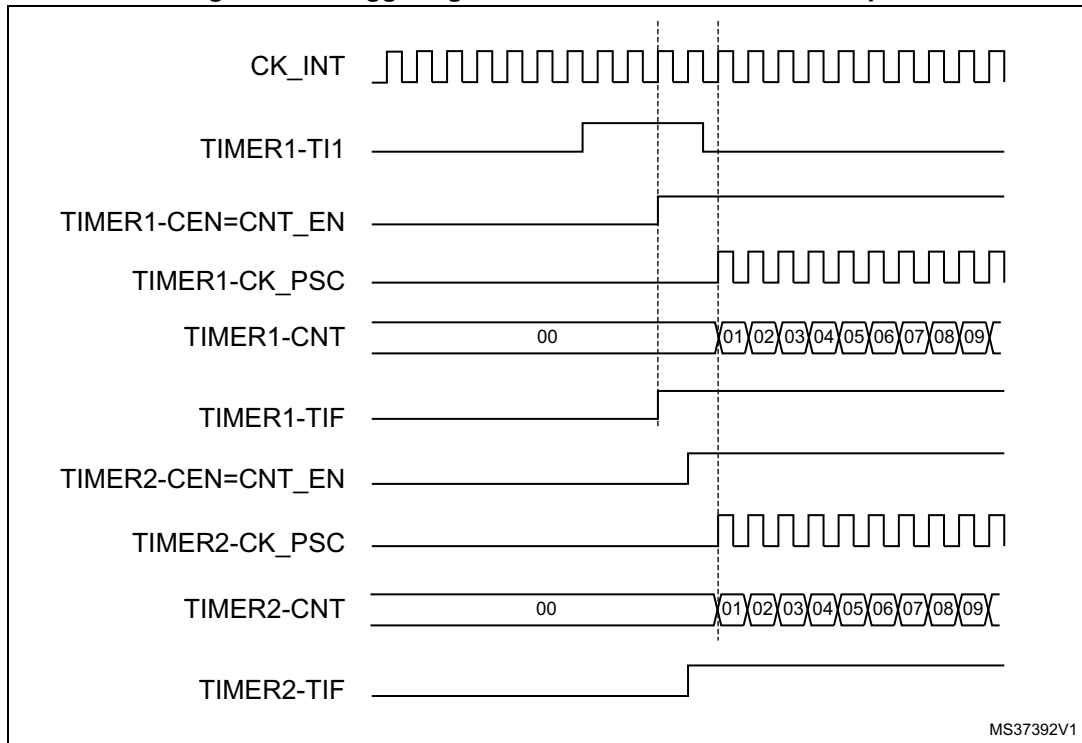
In this example, we set the enable of timer 1 when its T11 input rises, and the enable of Timer 2 with the enable of Timer 1. Refer to Figure 153 for connections. To ensure the counters are aligned, Timer 1 must be configured in Master/Slave mode (slave with respect to T11, master with respect to Timer 2):

- Configure Timer 1 master mode to send its Enable as trigger output (MMS=001 in the TIM1_CR2 register).
- Configure Timer 1 slave mode to get the input trigger from T11 (TS=100 in the TIM1_SMCR register).
- Configure Timer 1 in trigger mode (SMS=110 in the TIM1_SMCR register).
- Configure the Timer 1 in Master/Slave mode by writing MSM=1 (TIM1_SMCR register).
- Configure Timer 2 to get the input trigger from Timer 1 (TS=000 in the TIM2_SMCR register).
- Configure Timer 2 in trigger mode (SMS=110 in the TIM2_SMCR register).

When a rising edge occurs on T11 (Timer 1), both counters starts counting synchronously on the internal clock and both TIF flags are set.

Note: In this example both timers are initialized before starting (by setting their respective UG bits). Both counters starts from 0, but you can easily insert an offset between them by writing any of the counter registers (TIMx_CNT). You can see that the master/slave mode insert a delay between CNT_EN and CK_PSC on timer 1.

Figure 158. Triggering timer 1 and 2 with timer 1 T11 input



14.3.16 Debug mode

When the microcontroller enters debug mode (Cortex[®]-M3 core - halted), the TIMx counter either continues to work normally or stops, depending on DBG_TIMx_STOP configuration bit in DBGMCU module. For more details, refer to [Section 32.16.2: Debug support for timers, watchdog, bxCAN and I²C](#).

14.4 TIM2 to TIM5 registers

Refer to [Section 2.2](#) for a list of abbreviations used in register descriptions.

The 32-bit peripheral registers have to be written by words (32 bits). All other peripheral registers have to be written by half-words (16 bits) or words (32 bits). Read accesses can be done by bytes (8 bits), half-words (16 bits) or words (32 bits).

14.4.1 TIMx control register 1 (TIMx_CR1)

Address offset: 0x00

Reset value: 0x0000

15	14	13	12	11	10	9	8	7	6	5	4	3	2	1	0
Reserved						CKD[1:0]		ARPE	CMS		DIR	OPM	URS	UDIS	CEN
						r/w	r/w	r/w	r/w	r/w	r/w	r/w	r/w	r/w	r/w

Bits 15:10 Reserved, must be kept at reset value.

Bits 9:8 **CKD**: Clock division

This bit-field indicates the division ratio between the timer clock (CK_INT) frequency and sampling clock used by the digital filters (ETR, Tlx),

- 00: $t_{DTS} = t_{CK_INT}$
- 01: $t_{DTS} = 2 \times t_{CK_INT}$
- 10: $t_{DTS} = 4 \times t_{CK_INT}$
- 11: Reserved

Bit 7 **ARPE**: Auto-reload preload enable

- 0: TIMx_ARR register is not buffered
- 1: TIMx_ARR register is buffered

Bits 6:5 **CMS**: Center-aligned mode selection

- 00: Edge-aligned mode. The counter counts up or down depending on the direction bit (DIR).
- 01: Center-aligned mode 1. The counter counts up and down alternatively. Output compare interrupt flags of channels configured in output (CCxS=00 in TIMx_CCMRx register) are set only when the counter is counting down.
- 10: Center-aligned mode 2. The counter counts up and down alternatively. Output compare interrupt flags of channels configured in output (CCxS=00 in TIMx_CCMRx register) are set only when the counter is counting up.
- 11: Center-aligned mode 3. The counter counts up and down alternatively. Output compare interrupt flags of channels configured in output (CCxS=00 in TIMx_CCMRx register) are set both when the counter is counting up or down.

Note: It is not allowed to switch from edge-aligned mode to center-aligned mode as long as the counter is enabled (CEN=1)

Bit 4 **DIR**: Direction

- 0: Counter used as upcounter
- 1: Counter used as downcounter

Note: This bit is read only when the timer is configured in Center-aligned mode or Encoder mode.

Bit 3 **OPM**: One-pulse mode

- 0: Counter is not stopped at update event
- 1: Counter stops counting at the next update event (clearing the bit CEN)

Bit 2 **URS**: Update request source

This bit is set and cleared by software to select the UEV event sources.

0: Any of the following events generate an update interrupt or DMA request if enabled.

These events can be:

- Counter overflow/underflow
- Setting the UG bit
- Update generation through the slave mode controller

1: Only counter overflow/underflow generates an update interrupt or DMA request if enabled.

Bit 1 **UDIS**: Update disable

This bit is set and cleared by software to enable/disable UEV event generation.

0: UEV enabled. The Update (UEV) event is generated by one of the following events:

- Counter overflow/underflow
- Setting the UG bit
- Update generation through the slave mode controller

Buffered registers are then loaded with their preload values.

1: UEV disabled. The Update event is not generated, shadow registers keep their value (ARR, PSC, CCRx). However the counter and the prescaler are reinitialized if the UG bit is set or if a hardware reset is received from the slave mode controller.

Bit 0 **CEN**: Counter enable

0: Counter disabled

1: Counter enabled

Note: External clock, gated mode and encoder mode can work only if the CEN bit has been previously set by software. However trigger mode can set the CEN bit automatically by hardware.

CEN is cleared automatically in one-pulse mode, when an update event occurs.

14.4.2 TIMx control register 2 (TIMx_CR2)

Address offset: 0x04

Reset value: 0x0000

15	14	13	12	11	10	9	8	7	6	5	4	3	2	1	0	
Reserved								T11S	MMS[2:0]			CCDS	Reserved			
								rw	rw	rw	rw	rw				

Bits 15:8 Reserved, must be kept at reset value.

Bit 7 **T11S**: T11 selection

0: The TIMx_CH1 pin is connected to T11 input

1: The TIMx_CH1, CH2 and CH3 pins are connected to the T11 input (XOR combination)

See also [Section 13.3.18: Interfacing with Hall sensors](#)

Bits 6:4 **MMS[2:0]**: Master mode selection

These bits can be used to select the information to be sent in master mode to slave timers for synchronization (TRGO). The combination is as follows:

000: **Reset** - the UG bit from the TIMx_EGR register is used as trigger output (TRGO). If the reset is generated by the trigger input (slave mode controller configured in reset mode) then the signal on TRGO is delayed compared to the actual reset.

001: **Enable** - the Counter enable signal, CNT_EN, is used as trigger output (TRGO). It is useful to start several timers at the same time or to control a window in which a slave timer is enabled. The Counter Enable signal is generated by a logic OR between CEN control bit and the trigger input when configured in gated mode.

When the Counter Enable signal is controlled by the trigger input, there is a delay on TRGO, except if the master/slave mode is selected (see the MSM bit description in TIMx_SMCR register).

010: **Update** - The update event is selected as trigger output (TRGO). For instance a master timer can then be used as a prescaler for a slave timer.

011: **Compare Pulse** - The trigger output send a positive pulse when the CC1IF flag is to be set (even if it was already high), as soon as a capture or a compare match occurred. (TRGO)

100: **Compare** - OC1REF signal is used as trigger output (TRGO)

101: **Compare** - OC2REF signal is used as trigger output (TRGO)

110: **Compare** - OC3REF signal is used as trigger output (TRGO)

111: **Compare** - OC4REF signal is used as trigger output (TRGO)

Note: The clock of the slave timer and ADC must be enabled prior to receiving events from the master timer, and must not be changed on-the-fly while triggers are received from the master timer.

Bit 3 **CCDS**: Capture/compare DMA selection

0: CCx DMA request sent when CCx event occurs

1: CCx DMA requests sent when update event occurs

Bits 2:0 Reserved, must be kept at reset value.

14.4.3 TIMx slave mode control register (TIMx_SMCR)

Address offset: 0x08

Reset value: 0x0000

15	14	13	12	11	10	9	8	7	6	5	4	3	2	1	0
ETP	ECE	ETPS[1:0]		ETF[3:0]				MSM	TS[2:0]			Res.	SMS[2:0]		
rw	rw	rw	rw	rw	rw	rw	rw	rw	rw	rw	rw		rw	rw	rw

Bit 15 **ETP**: External trigger polarity

This bit selects whether ETR or $\overline{\text{ETR}}$ is used for trigger operations

0: ETR is noninverted, active at high level or rising edge

1: ETR is inverted, active at low level or falling edge

Bit 14 **ECE**: External clock enable

This bit enables External clock mode 2.

0: External clock mode 2 disabled

1: External clock mode 2 enabled. The counter is clocked by any active edge on the ETRF signal.

1: Setting the ECE bit has the same effect as selecting external clock mode 1 with TRGI connected to ETRF (SMS=111 and TS=111).

2: It is possible to simultaneously use external clock mode 2 with the following slave modes: reset mode, gated mode and trigger mode. Nevertheless, TRGI must not be connected to ETRF in this case (TS bits must not be 111).

3: If external clock mode 1 and external clock mode 2 are enabled at the same time, the external clock input is ETRF.

Bits 13:12 **ETPS**: External trigger prescaler

External trigger signal ETRP frequency must be at most 1/4 of CK_INT frequency. A prescaler can be enabled to reduce ETRP frequency. It is useful when inputting fast external clocks.

00: Prescaler OFF

01: ETRP frequency divided by 2

10: ETRP frequency divided by 4

11: ETRP frequency divided by 8

Bits 11:8 **ETF[3:0]**: External trigger filter

This bit-field then defines the frequency used to sample ETRP signal and the length of the digital filter applied to ETRP. The digital filter is made of an event counter in which N consecutive events are needed to validate a transition on the output:

0000: No filter, sampling is done at f_{DTS}

0001: $f_{SAMPLING}=f_{CK_INT}$, N=2

0010: $f_{SAMPLING}=f_{CK_INT}$, N=4

0011: $f_{SAMPLING}=f_{CK_INT}$, N=8

0100: $f_{SAMPLING}=f_{DTS}/2$, N=6

0101: $f_{SAMPLING}=f_{DTS}/2$, N=8

0110: $f_{SAMPLING}=f_{DTS}/4$, N=6

0111: $f_{SAMPLING}=f_{DTS}/4$, N=8

1000: $f_{SAMPLING}=f_{DTS}/8$, N=6

1001: $f_{SAMPLING}=f_{DTS}/8$, N=8

1010: $f_{SAMPLING}=f_{DTS}/16$, N=5

1011: $f_{SAMPLING}=f_{DTS}/16$, N=6

1100: $f_{SAMPLING}=f_{DTS}/16$, N=8

1101: $f_{SAMPLING}=f_{DTS}/32$, N=5

1110: $f_{SAMPLING}=f_{DTS}/32$, N=6

1111: $f_{SAMPLING}=f_{DTS}/32$, N=8

Bit 7 **MSM**: Master/Slave mode

0: No action

1: The effect of an event on the trigger input (TRGI) is delayed to allow a perfect synchronization between the current timer and its slaves (through TRGO). It is useful if we want to synchronize several timers on a single external event.

Bits 6:4 **TS**: Trigger selection

This bit-field selects the trigger input to be used to synchronize the counter.

- 000: Internal Trigger 0 (ITR0).
- 001: Internal Trigger 1 (ITR1).
- 010: Internal Trigger 2 (ITR2).
- 011: Internal Trigger 3 (ITR3).
- 100: TI1 Edge Detector (TI1F_ED)
- 101: Filtered Timer Input 1 (TI1FP1)
- 110: Filtered Timer Input 2 (TI2FP2)
- 111: External Trigger input (ETRF)

See [Table 60: TIMx internal trigger connection on page 410](#) for more details on ITRx meaning for each Timer.

Note: These bits must be changed only when they are not used (e.g. when SMS=000) to avoid wrong edge detections at the transition.

Bit 3 Reserved, must be kept at reset value.

Bits 2:0 **SMS**: Slave mode selection

When external signals are selected the active edge of the trigger signal (TRGI) is linked to the polarity selected on the external input (see Input Control register and Control register description).

- 000: Slave mode disabled - if CEN = '1 then the prescaler is clocked directly by the internal clock.
- 001: Encoder mode 1 - Counter counts up/down on TI1FP1 edge depending on TI2FP2 level.
- 010: Encoder mode 2 - Counter counts up/down on TI2FP2 edge depending on TI1FP1 level.
- 011: Encoder mode 3 - Counter counts up/down on both TI1FP1 and TI2FP2 edges depending on the level of the other input.
- 100: Reset mode - Rising edge of the selected trigger input (TRGI) reinitializes the counter and generates an update of the registers.
- 101: Gated mode - The counter clock is enabled when the trigger input (TRGI) is high. The counter stops (but is not reset) as soon as the trigger becomes low. Both start and stop of the counter are controlled.
- 110: Trigger mode - The counter starts at a rising edge of the trigger TRGI (but it is not reset). Only the start of the counter is controlled.
- 111: External Clock mode 1 - Rising edges of the selected trigger (TRGI) clock the counter.

Note: The gated mode must not be used if TI1F_ED is selected as the trigger input (TS=100). Indeed, TI1F_ED outputs 1 pulse for each transition on TI1F, whereas the gated mode checks the level of the trigger signal.

The clock of the slave timer must be enabled prior to receiving events from the master timer, and must not be changed on-the-fly while triggers are received from the master timer.

Table 60. TIMx internal trigger connection

Slave TIM	ITR0 (TS = 000)	ITR1 (TS = 001)	ITR2 (TS = 010)	ITR3 (TS = 011)
TIM2	TIM1_TRGO	TIM8_TRGO	TIM3_TRGO	TIM4_TRGO
TIM3	TIM1_TRGO	TIM2_TRGO	TIM5_TRGO	TIM4_TRGO
TIM4	TIM1_TRGO	TIM2_TRGO	TIM3_TRGO	TIM8_TRGO
TIM5	TIM2_TRGO	TIM3_TRGO	TIM4_TRGO	TIM8_TRGO

14.4.4 TIMx DMA/Interrupt enable register (TIMx_DIER)

Address offset: 0x0C

Reset value: 0x0000

15	14	13	12	11	10	9	8	7	6	5	4	3	2	1	0
Res.	TDE	Res	CC4DE	CC3DE	CC2DE	CC1DE	UDE	Res.	TIE	Res	CC4IE	CC3IE	CC2IE	CC1IE	UIE
	rw		rw	rw	rw	rw	rw		rw		rw	rw	rw	rw	rw

- Bit 15 Reserved, must be kept at reset value.
- Bit 14 **TDE**: Trigger DMA request enable
 0: Trigger DMA request disabled.
 1: Trigger DMA request enabled.
- Bit 13 Reserved, always read as 0
- Bit 12 **CC4DE**: Capture/Compare 4 DMA request enable
 0: CC4 DMA request disabled.
 1: CC4 DMA request enabled.
- Bit 11 **CC3DE**: Capture/Compare 3 DMA request enable
 0: CC3 DMA request disabled.
 1: CC3 DMA request enabled.
- Bit 10 **CC2DE**: Capture/Compare 2 DMA request enable
 0: CC2 DMA request disabled.
 1: CC2 DMA request enabled.
- Bit 9 **CC1DE**: Capture/Compare 1 DMA request enable
 0: CC1 DMA request disabled.
 1: CC1 DMA request enabled.
- Bit 8 **UDE**: Update DMA request enable
 0: Update DMA request disabled.
 1: Update DMA request enabled.
- Bit 7 Reserved, must be kept at reset value.
- Bit 6 **TIE**: Trigger interrupt enable
 0: Trigger interrupt disabled.
 1: Trigger interrupt enabled.
- Bit 5 Reserved, must be kept at reset value.
- Bit 4 **CC4IE**: Capture/Compare 4 interrupt enable
 0: CC4 interrupt disabled.
 1: CC4 interrupt enabled.
- Bit 3 **CC3IE**: Capture/Compare 3 interrupt enable
 0: CC3 interrupt disabled
 1: CC3 interrupt enabled
- Bit 2 **CC2IE**: Capture/Compare 2 interrupt enable
 0: CC2 interrupt disabled
 1: CC2 interrupt enabled
- Bit 1 **CC1IE**: Capture/Compare 1 interrupt enable
 0: CC1 interrupt disabled
 1: CC1 interrupt enabled

Bit 0 **UIE**: Update interrupt enable
 0: Update interrupt disabled
 1: Update interrupt enabled

14.4.5 TIMx status register (TIMx_SR)

Address offset: 0x10

Reset value: 0x0000

15	14	13	12	11	10	9	8	7	6	5	4	3	2	1	0	
Reserved				CC4OF	CC3OF	CC2OF	CC1OF	Reserved		TIF	Res	CC4IF	CC3IF	CC2IF	CC1IF	UIF
				rc_w0	rc_w0	rc_w0	rc_w0			rc_w0		rc_w0	rc_w0	rc_w0	rc_w0	rc_w0

Bits 15:13 Reserved, must be kept at reset value.

Bit 12 **CC4OF**: Capture/Compare 4 overcapture flag
 refer to CC1OF description

Bit 11 **CC3OF**: Capture/Compare 3 overcapture flag
 refer to CC1OF description

Bit 10 **CC2OF**: Capture/compare 2 overcapture flag
 refer to CC1OF description

Bit 9 **CC1OF**: Capture/Compare 1 overcapture flag
 This flag is set by hardware only when the corresponding channel is configured in input capture mode. It is cleared by software by writing it to '0'.
 0: No overcapture has been detected
 1: The counter value has been captured in TIMx_CCR1 register while CC1IF flag was already set

Bits 8:7 Reserved, must be kept at reset value.

Bit 6 **TIF**: Trigger interrupt flag
 This flag is set by hardware on trigger event (active edge detected on TRGI input when the slave mode controller is enabled in all modes but gated mode. It is set when the counter starts or stops when gated mode is selected. It is cleared by software.
 0: No trigger event occurred
 1: Trigger interrupt pending

Bit 5 Reserved, must be kept at reset value.

Bit 4 **CC4IF**: Capture/Compare 4 interrupt flag
 refer to CC1IF description

Bit 3 **CC3IF**: Capture/Compare 3 interrupt flag
 refer to CC1IF description

Bit 2 **CC2IF**: Capture/Compare 2 interrupt flag
 refer to CC1IF description

Bit 1 **CC1IF**: Capture/compare 1 interrupt flag

If channel CC1 is configured as output:

This flag is set by hardware when the counter matches the compare value, with some exception in center-aligned mode (refer to the CMS bits in the TIMx_CR1 register description). It is cleared by software.

0: No match

1: The content of the counter TIMx_CNT matches the content of the TIMx_CCR1 register. When the contents of TIMx_CCR1 are greater than the contents of TIMx_ARR, the CC1IF bit goes high on the counter overflow (in upcounting and up/down-counting modes) or underflow (in downcounting mode)

If channel CC1 is configured as input:

This bit is set by hardware on a capture. It is cleared by software or by reading the TIMx_CCR1 register.

0: No input capture occurred

1: The counter value has been captured in TIMx_CCR1 register (An edge has been detected on IC1 which matches the selected polarity)

Bit 0 **UIF**: Update interrupt flag

” This bit is set by hardware on an update event. It is cleared by software.

0: No update occurred.

1: Update interrupt pending. This bit is set by hardware when the registers are updated:

” At overflow or underflow (for TIM2 to TIM5) and if UDIS=0 in the TIMx_CR1 register.

” When CNT is reinitialized by software using the UG bit in TIMx_EGR register, if URS=0 and UDIS=0 in the TIMx_CR1 register.

When CNT is reinitialized by a trigger event (refer to the synchro control register description), if URS=0 and UDIS=0 in the TIMx_CR1 register.

14.4.6 TIMx event generation register (TIMx_EGR)

Address offset: 0x14

Reset value: 0x0000

15	14	13	12	11	10	9	8	7	6	5	4	3	2	1	0
Reserved									TG	Res.	CC4G	CC3G	CC2G	CC1G	UG
									w		w	w	w	w	

Bits 15:7 Reserved, must be kept at reset value.

Bit 6 **TG**: Trigger generation

This bit is set by software in order to generate an event, it is automatically cleared by hardware.

0: No action

1: The TIF flag is set in TIMx_SR register. Related interrupt or DMA transfer can occur if enabled.

Bit 5 Reserved, must be kept at reset value.

Bit 4 **CC4G**: Capture/compare 4 generation

refer to CC1G description

Bit 3 **CC3G**: Capture/compare 3 generation

refer to CC1G description

- Bit 2 **CC2G**: Capture/compare 2 generation
refer to CC1G description
- Bit 1 **CC1G**: Capture/compare 1 generation
This bit is set by software in order to generate an event, it is automatically cleared by hardware.
0: No action
1: A capture/compare event is generated on channel 1:
If channel CC1 is configured as output:
CC1IF flag is set, Corresponding interrupt or DMA request is sent if enabled.
If channel CC1 is configured as input:
The current value of the counter is captured in TIMx_CCR1 register. The CC1IF flag is set, the corresponding interrupt or DMA request is sent if enabled. The CC1OF flag is set if the CC1IF flag was already high.
- Bit 0 **UG**: Update generation
This bit can be set by software, it is automatically cleared by hardware.
0: No action
1: Re-initialize the counter and generates an update of the registers. Note that the prescaler counter is cleared too (anyway the prescaler ratio is not affected). The counter is cleared if the center-aligned mode is selected or if DIR=0 (upcounting), else it takes the auto-reload value (TIMx_ARR) if DIR=1 (downcounting).

14.4.7 TIMx capture/compare mode register 1 (TIMx_CCMR1)

Address offset: 0x18

Reset value: 0x0000

The channels can be used in input (capture mode) or in output (compare mode). The direction of a channel is defined by configuring the corresponding CCxS bits. All the other bits of this register have a different function in input and in output mode. For a given bit, OCxx describes its function when the channel is configured in output, ICxx describes its function when the channel is configured in input. Take care that the same bit can have a different meaning for the input stage and for the output stage.

15	14	13	12	11	10	9	8	7	6	5	4	3	2	1	0
OC2CE	OC2M[2:0]			OC2PE	OC2FE	CC2S[1:0]		OC1CE	OC1M[2:0]			OC1PE	OC1FE	CC1S[1:0]	
IC2F[3:0]				IC2PSC[1:0]				IC1F[3:0]				IC1PSC[1:0]			
r/w	r/w	r/w	r/w	r/w	r/w	r/w	r/w	r/w	r/w	r/w	r/w	r/w	r/w	r/w	r/w

Output compare mode

- Bit 15 **OC2CE**: Output compare 2 clear enable
- Bits 14:12 **OC2M[2:0]**: Output compare 2 mode
- Bit 11 **OC2PE**: Output compare 2 preload enable
- Bit 10 **OC2FE**: Output compare 2 fast enable

Bits 9:8 **CC2S[1:0]**: Capture/Compare 2 selection

This bit-field defines the direction of the channel (input/output) as well as the used input.

00: CC2 channel is configured as output

01: CC2 channel is configured as input, IC2 is mapped on TI2

10: CC2 channel is configured as input, IC2 is mapped on TI1

11: CC2 channel is configured as input, IC2 is mapped on TRC. This mode is working only if an internal trigger input is selected through the TS bit (TIMx_SMCR register)

Note: CC2S bits are writable only when the channel is OFF (CC2E = 0 in TIMx_CCER).

Bit 7 **OC1CE**: Output compare 1 clear enable

OC1CE: Output compare 1 Clear Enable

0: OC1Ref is not affected by the ETRF input

1: OC1Ref is cleared as soon as a High level is detected on ETRF input

Bits 6:4 **OC1M**: Output compare 1 mode

These bits define the behavior of the output reference signal OC1REF from which OC1 and OC1N are derived. OC1REF is active high whereas OC1 and OC1N active level depends on CC1P and CC1NP bits.

000: Frozen - The comparison between the output compare register TIMx_CCR1 and the counter TIMx_CNT has no effect on the outputs.(this mode is used to generate a timing base).

001: Set channel 1 to active level on match. OC1REF signal is forced high when the counter TIMx_CNT matches the capture/compare register 1 (TIMx_CCR1).

010: Set channel 1 to inactive level on match. OC1REF signal is forced low when the counter TIMx_CNT matches the capture/compare register 1 (TIMx_CCR1).

011: Toggle - OC1REF toggles when TIMx_CNT=TIMx_CCR1.

100: Force inactive level - OC1REF is forced low.

101: Force active level - OC1REF is forced high.

110: PWM mode 1 - In upcounting, channel 1 is active as long as TIMx_CNT<TIMx_CCR1 else inactive. In downcounting, channel 1 is inactive (OC1REF=0) as long as TIMx_CNT>TIMx_CCR1 else active (OC1REF=1).

111: PWM mode 2 - In upcounting, channel 1 is inactive as long as TIMx_CNT<TIMx_CCR1 else active. In downcounting, channel 1 is active as long as TIMx_CNT>TIMx_CCR1 else inactive.

Note: In PWM mode 1 or 2, the OCREF level changes only when the result of the comparison changes or when the output compare mode switches from "frozen" mode to "PWM" mode.

Bit 3 **OC1PE**: Output compare 1 preload enable

0: Preload register on TIMx_CCR1 disabled. TIMx_CCR1 can be written at anytime, the new value is taken in account immediately.

1: Preload register on TIMx_CCR1 enabled. Read/Write operations access the preload register. TIMx_CCR1 preload value is loaded in the active register at each update event.

Note: These bits can not be modified as long as LOCK level 3 has been programmed (LOCK bits in TIMx_BDTR register) and CC1S=00 (the channel is configured in output).

Bit 2 **OC1FE**: Output compare 1 fast enable

This bit is used to accelerate the effect of an event on the trigger in input on the CC output.
0: CC1 behaves normally depending on counter and CCR1 values even when the trigger is ON. The minimum delay to activate CC1 output when an edge occurs on the trigger input is 5 clock cycles.

1: An active edge on the trigger input acts like a compare match on CC1 output. Then, OC is set to the compare level independently from the result of the comparison. Delay to sample the trigger input and to activate CC1 output is reduced to 3 clock cycles. OC1FE acts only if the channel is configured in PWM1 or PWM2 mode.

Bits 1:0 **CC1S**: Capture/Compare 1 selection

This bit-field defines the direction of the channel (input/output) as well as the used input.

00: CC1 channel is configured as output.

01: CC1 channel is configured as input, IC1 is mapped on TI1.

10: CC1 channel is configured as input, IC1 is mapped on TI2.

11: CC1 channel is configured as input, IC1 is mapped on TRC. This mode is working only if an internal trigger input is selected through TS bit (TIMx_SMCR register)

Note: CC1S bits are writable only when the channel is OFF (CC1E = 0 in TIMx_CCER).

Input capture mode

Bits 15:12 **IC2F**: Input capture 2 filter

Bits 11:10 **IC2PSC[1:0]**: Input capture 2 prescaler

Bits 9:8 **CC2S**: Capture/compare 2 selection

This bit-field defines the direction of the channel (input/output) as well as the used input.

00: CC2 channel is configured as output.

01: CC2 channel is configured as input, IC2 is mapped on TI2.

10: CC2 channel is configured as input, IC2 is mapped on TI1.

11: CC2 channel is configured as input, IC2 is mapped on TRC. This mode is working only if an internal trigger input is selected through TS bit (TIMx_SMCR register)

Note: CC2S bits are writable only when the channel is OFF (CC2E = 0 in TIMx_CCER).

Bits 7:4 **IC1F**: Input capture 1 filter

This bit-field defines the frequency used to sample TI1 input and the length of the digital filter applied to TI1. The digital filter is made of an event counter in which N consecutive events are needed to validate a transition on the output:

0000: No filter, sampling is done at f_{DTS}

0001: $f_{SAMPLING} = f_{CK_INT}$, N=2

0010: $f_{SAMPLING} = f_{CK_INT}$, N=4

0011: $f_{SAMPLING} = f_{CK_INT}$, N=8

0100: $f_{SAMPLING} = f_{DTS}/2$, N=6

0101: $f_{SAMPLING} = f_{DTS}/2$, N=8

0110: $f_{SAMPLING} = f_{DTS}/4$, N=6

0111: $f_{SAMPLING} = f_{DTS}/4$, N=8

1000: $f_{SAMPLING} = f_{DTS}/8$, N=6

1001: $f_{SAMPLING} = f_{DTS}/8$, N=8

1010: $f_{SAMPLING} = f_{DTS}/16$, N=5

1011: $f_{SAMPLING} = f_{DTS}/16$, N=6

1100: $f_{SAMPLING} = f_{DTS}/16$, N=8

1101: $f_{SAMPLING} = f_{DTS}/32$, N=5

1110: $f_{SAMPLING} = f_{DTS}/32$, N=6

1111: $f_{SAMPLING} = f_{DTS}/32$, N=8

Bits 3:2 **IC1PSC**: Input capture 1 prescaler

This bit-field defines the ratio of the prescaler acting on CC1 input (IC1).

The prescaler is reset as soon as CC1E=0 (TIMx_CCER register).

00: no prescaler, capture is done each time an edge is detected on the capture input

01: capture is done once every 2 events

10: capture is done once every 4 events

11: capture is done once every 8 events

Bits 1:0 **CC1S**: Capture/Compare 1 selection

This bit-field defines the direction of the channel (input/output) as well as the used input.

00: CC1 channel is configured as output

01: CC1 channel is configured as input, IC1 is mapped on TI1

10: CC1 channel is configured as input, IC1 is mapped on TI2

11: CC1 channel is configured as input, IC1 is mapped on TRC. This mode is working only if an internal trigger input is selected through TS bit (TIMx_SMCR register)

Note: CC1S bits are writable only when the channel is OFF (CC1E = 0 in TIMx_CCER).

14.4.8 TIMx capture/compare mode register 2 (TIMx_CCMR2)

Address offset: 0x1C

Reset value: 0x0000

Refer to the above CCMR1 register description.

15	14	13	12	11	10	9	8	7	6	5	4	3	2	1	0
OC4CE	OC4M[2:0]			OC4PE	OC4FE	CC4S[1:0]		OC3CE	OC3M[2:0]			OC3PE	OC3FE	CC3S[1:0]	
IC4F[3:0]				IC4PSC[1:0]				IC3F[3:0]				IC3PSC[1:0]			
rw	rw	rw	rw	rw	rw	rw	rw	rw	rw	rw	rw	rw	rw	rw	rw

Output compare mode

Bit 15 **OC4CE**: Output compare 4 clear enable

Bits 14:12 **OC4M**: Output compare 4 mode

Bit 11 **OC4PE**: Output compare 4 preload enable

Bit 10 **OC4FE**: Output compare 4 fast enable

Bits 9:8 **CC4S**: Capture/Compare 4 selection

This bit-field defines the direction of the channel (input/output) as well as the used input.

00: CC4 channel is configured as output

01: CC4 channel is configured as input, IC4 is mapped on TI4

10: CC4 channel is configured as input, IC4 is mapped on TI3

11: CC4 channel is configured as input, IC4 is mapped on TRC. This mode is working only if an internal trigger input is selected through TS bit (TIMx_SMCR register)

Note: CC4S bits are writable only when the channel is OFF (CC4E = 0 in TIMx_CCER).

Bit 7 **OC3CE**: Output compare 3 clear enable

Bits 6:4 **OC3M**: Output compare 3 mode

Bit 3 **OC3PE**: Output compare 3 preload enable

Bit 2 **OC3FE**: Output compare 3 fast enable

Bits 1:0 **CC3S**: Capture/Compare 3 selection

This bit-field defines the direction of the channel (input/output) as well as the used input.

00: CC3 channel is configured as output

01: CC3 channel is configured as input, IC3 is mapped on TI3

10: CC3 channel is configured as input, IC3 is mapped on TI4

11: CC3 channel is configured as input, IC3 is mapped on TRC. This mode is working only if an internal trigger input is selected through TS bit (TIMx_SMCR register)

Note: CC3S bits are writable only when the channel is OFF (CC3E = 0 in TIMx_CCER).

Input capture mode

Bits 15:12 **IC4F**: Input capture 4 filter

Bits 11:10 **IC4PSC**: Input capture 4 prescaler

Bits 9:8 **CC4S**: Capture/Compare 4 selection

This bit-field defines the direction of the channel (input/output) as well as the used input.

00: CC4 channel is configured as output

01: CC4 channel is configured as input, IC4 is mapped on TI4

10: CC4 channel is configured as input, IC4 is mapped on TI3

11: CC4 channel is configured as input, IC4 is mapped on TRC. This mode is working only if an internal trigger input is selected through TS bit (TIMx_SMCR register)

Note: CC4S bits are writable only when the channel is OFF (CC4E = 0 in TIMx_CCER).

Bits 7:4 **IC3F**: Input capture 3 filter

Bits 3:2 **IC3PSC**: Input capture 3 prescaler

Bits 1:0 **CC3S**: Capture/Compare 3 selection

This bit-field defines the direction of the channel (input/output) as well as the used input.

00: CC3 channel is configured as output

01: CC3 channel is configured as input, IC3 is mapped on TI3

10: CC3 channel is configured as input, IC3 is mapped on TI4

11: CC3 channel is configured as input, IC3 is mapped on TRC. This mode is working only if an internal trigger input is selected through TS bit (TIMx_SMCR register)

Note: CC3S bits are writable only when the channel is OFF (CC3E = 0 in TIMx_CCER).

14.4.9 TIMx capture/compare enable register (TIMx_CCER)

Address offset: 0x20

Reset value: 0x0000

15	14	13	12	11	10	9	8	7	6	5	4	3	2	1	0
CC4NP	Res.	CC4P	CC4E	CC3NP	Res.	CC3P	CC3E	CC2NP	Res.	CC2P	CC2E	CC1NP	Res.	CC1P	CC1E
rw		rw	rw	rw		rw	rw	rw		rw	rw	rw		rw	rw

Bit 15 **CC4NP**: Capture/Compare 4 output Polarity.

Refer to CC1NP description

Bit 14 Reserved, must be kept at reset value.

Bit 13 **CC4P**: Capture/Compare 4 output Polarity.

refer to CC1P description

Bit 12 **CC4E**: Capture/Compare 4 output enable.

refer to CC1E description

Bit 11 **CC3NP**: Capture/Compare 3 output Polarity.

refer to CC1NP description

Bit 10 Reserved, must be kept at reset value.

Bit 9 **CC3P**: Capture/Compare 3 output Polarity.

refer to CC1P description

- Bit 8 **CC3E**: *Capture/Compare 3 output enable.*
refer to CC1E description
- Bit 7 **CC2NP**: *Capture/Compare 2 output Polarity.*
refer to CC1NP description
- Bit 6 Reserved, must be kept at reset value.
- Bit 5 **CC2P**: *Capture/Compare 2 output Polarity.*
refer to CC1P description
- Bit 4 **CC2E**: *Capture/Compare 2 output enable.*
refer to CC1E description
- Bit 3 **CC1NP**: *Capture/Compare 1 output Polarity.*
CC1 channel configured as output:
CC1NP must be kept cleared in this case.
CC1 channel configured as input:
This bit is used in conjunction with CC1P to define TI1FP1/TI2FP1 polarity. refer to CC1P description.
- Bit 2 Reserved, must be kept at reset value.
- Bit 1 **CC1P**: *Capture/Compare 1 output Polarity.*
CC1 channel configured as output:
0: OC1 active high
1: OC1 active low
CC1 channel configured as input:
CC1NP/CC1P bits select TI1FP1 and TI2FP1 polarity for trigger or capture operations.
00: noninverted/rising edge
Circuit is sensitive to TIxFP1 rising edge (capture, trigger in reset, external clock or trigger mode), TIxFP1 is not inverted (trigger in gated mode, encoder mode).
01: inverted/falling edge
Circuit is sensitive to TIxFP1 falling edge (capture, trigger in reset, external clock or trigger mode), TIxFP1 is inverted (trigger in gated mode, encoder mode).
10: reserved, do not use this configuration.
11: noninverted/both edges
Circuit is sensitive to both TIxFP1 rising and falling edges (capture, trigger in reset, external clock or trigger mode), TIxFP1 is not inverted (trigger in gated mode). This configuration must not be used for encoder mode.
- Bit 0 **CC1E**: *Capture/Compare 1 output enable.*
CC1 channel configured as output:
0: Off - OC1 is not active
1: On - OC1 signal is output on the corresponding output pin
CC1 channel configured as input:
This bit determines if a capture of the counter value can actually be done into the input capture/compare register 1 (TIMx_CCR1) or not.
0: Capture disabled
1: Capture enabled

Table 61. Output control bit for standard OCx channels

CCxE bit	OCx output state
0	Output Disabled (OCx=0, OCx_EN=0)
1	OCx=OCxREF + Polarity, OCx_EN=1

Note: The state of the external IO pins connected to the standard OCx channels depends on the OCx channel state and the GPIO registers.

14.4.10 TIMx counter (TIMx_CNT)

Address offset: 0x24

Reset value: 0x0000 0000

31	30	29	28	27	26	25	24	23	22	21	20	19	18	17	16
CNT[31:16] (depending on timers)															
r/w	r/w	r/w	r/w	r/w	r/w	r/w	r/w	r/w	r/w	r/w	r/w	r/w	r/w	r/w	r/w
15	14	13	12	11	10	9	8	7	6	5	4	3	2	1	0
CNT[15:0]															
r/w	r/w	r/w	r/w	r/w	r/w	r/w	r/w	r/w	r/w	r/w	r/w	r/w	r/w	r/w	r/w

Bits 31:16 **CNT[31:16]**: High counter value (on TIM2 and TIM5).

Bits 15:0 **CNT[15:0]**: Low counter value

14.4.11 TIMx prescaler (TIMx_PSC)

Address offset: 0x28

Reset value: 0x0000

15	14	13	12	11	10	9	8	7	6	5	4	3	2	1	0
PSC[15:0]															
r/w	r/w	r/w	r/w	r/w	r/w	r/w	r/w	r/w	r/w	r/w	r/w	r/w	r/w	r/w	r/w

Bits 15:0 **PSC[15:0]**: Prescaler value

The counter clock frequency CK_CNT is equal to $f_{CK_PSC} / (PSC[15:0] + 1)$.

PSC contains the value to be loaded in the active prescaler register at each update event (including when the counter is cleared through UG bit of TIMx_EGR register or through trigger controller when configured in “reset mode”).

14.4.12 TIMx auto-reload register (TIMx_ARR)

Address offset: 0x2C

Reset value: 0xFFFF FFFF

31	30	29	28	27	26	25	24	23	22	21	20	19	18	17	16
ARR[31:16] (depending on timers)															
r/w	r/w	r/w	r/w	r/w	r/w	r/w	r/w	r/w	r/w	r/w	r/w	r/w	r/w	r/w	r/w
15	14	13	12	11	10	9	8	7	6	5	4	3	2	1	0
ARR[15:0]															
r/w	r/w	r/w	r/w	r/w	r/w	r/w	r/w	r/w	r/w	r/w	r/w	r/w	r/w	r/w	r/w

Bits 31:16 **ARR[31:16]**: High auto-reload value (on TIM2 and TIM5).

Bits 15:0 **ARR[15:0]**: Low Auto-reload value
 ARR is the value to be loaded in the actual auto-reload register.
 Refer to the [Section 14.3.1](#) for more details about ARR update and behavior.
 The counter is blocked while the auto-reload value is null.

14.4.13 TIMx capture/compare register 1 (TIMx_CCR1)

Address offset: 0x34

Reset value: 0x0000 0000

31	30	29	28	27	26	25	24	23	22	21	20	19	18	17	16
CCR1[31:16] (depending on timers)															
rw/ro	rw/ro	rw/ro	rw/ro	rw/ro	rw/ro	rw/ro	rw/ro	rw/ro	rw/ro	rw/ro	rw/ro	rw/ro	rw/ro	rw/ro	rw/ro
15	14	13	12	11	10	9	8	7	6	5	4	3	2	1	0
CCR1[15:0]															
rw/ro	rw/ro	rw/ro	rw/ro	rw/ro	rw/ro	rw/ro	rw/ro	rw/ro	rw/ro	rw/ro	rw/ro	rw/ro	rw/ro	rw/ro	rw/ro

Bits 31:16 **CCR1[31:16]**: High Capture/Compare 1 value (on TIM2 and TIM5).

Bits 15:0 **CCR1[15:0]**: Low Capture/Compare 1 value

If channel CC1 is configured as output:

CCR1 is the value to be loaded in the actual capture/compare 1 register (preload value). It is loaded permanently if the preload feature is not selected in the TIMx_CCMR1 register (bit OC1PE). Else the preload value is copied in the active capture/compare 1 register when an update event occurs.

The active capture/compare register contains the value to be compared to the counter TIMx_CNT and signaled on OC1 output.

If channel CC1 is configured as input:

CCR1 is the counter value transferred by the last input capture 1 event (IC1). The TIMx_CCR1 register is read-only and cannot be programmed.

14.4.14 TIMx capture/compare register 2 (TIMx_CCR2)

Address offset: 0x38

Reset value: 0x0000 0000

31	30	29	28	27	26	25	24	23	22	21	20	19	18	17	16
CCR2[31:16] (depending on timers)															
rw/ro	rw/ro	rw/ro	rw/ro	rw/ro	rw/ro	rw/ro	rw/ro	rw/ro	rw/ro	rw/ro	rw/ro	rw/ro	rw/ro	rw/ro	rw/ro
15	14	13	12	11	10	9	8	7	6	5	4	3	2	1	0
CCR2[15:0]															
rw/ro	rw/ro	rw/ro	rw/ro	rw/ro	rw/ro	rw/ro	rw/ro	rw/ro	rw/ro	rw/ro	rw/ro	rw/ro	rw/ro	rw/ro	rw/ro

Bits 31:16 **CCR2[31:16]**: High Capture/Compare 2 value (on TIM2 and TIM5).

Bits 15:0 **CCR2[15:0]**: Low Capture/Compare 2 value

If channel CC2 is configured as output:

CCR2 is the value to be loaded in the actual capture/compare 2 register (preload value). It is loaded permanently if the preload feature is not selected in the TIMx_CCMR2 register (bit OC2PE). Else the preload value is copied in the active capture/compare 2 register when an update event occurs.

The active capture/compare register contains the value to be compared to the counter TIMx_CNT and signalled on OC2 output.

If channel CC2 is configured as input:

CCR2 is the counter value transferred by the last input capture 2 event (IC2). The TIMx_CCR2 register is read-only and cannot be programmed.

14.4.15 TIMx capture/compare register 3 (TIMx_CCR3)

Address offset: 0x3C

Reset value: 0x0000 0000

31	30	29	28	27	26	25	24	23	22	21	20	19	18	17	16
CCR3[31:16] (depending on timers)															
rw/ro	rw/ro	rw/ro	rw/ro	rw/ro	rw/ro	rw/ro	rw/ro	rw/ro	rw/ro	rw/ro	rw/ro	rw/ro	rw/ro	rw/ro	rw/ro
15	14	13	12	11	10	9	8	7	6	5	4	3	2	1	0
CCR3[15:0]															
rw/ro	rw/ro	rw/ro	rw/ro	rw/ro	rw/ro	rw/ro	rw/ro	rw/ro	rw/ro	rw/ro	rw/ro	rw/ro	rw/ro	rw/ro	rw/ro

Bits 31:16 **CCR3[31:16]**: High Capture/Compare 3 value (on TIM2 and TIM5).

Bits 15:0 **CCR3[15:0]**: Low Capture/Compare value

If channel CC3 is configured as output:

CCR3 is the value to be loaded in the actual capture/compare 3 register (preload value). It is loaded permanently if the preload feature is not selected in the TIMx_CCMR3 register (bit OC3PE). Else the preload value is copied in the active capture/compare 3 register when an update event occurs.

The active capture/compare register contains the value to be compared to the counter TIMx_CNT and signaled on OC3 output.

If channel CC3 is configured as input:

CCR3 is the counter value transferred by the last input capture 3 event (IC3). The TIMx_CCR3 register is read-only and cannot be programmed.

14.4.16 TIMx capture/compare register 4 (TIMx_CCR4)

Address offset: 0x40

Reset value: 0x0000 0000

31	30	29	28	27	26	25	24	23	22	21	20	19	18	17	16
CCR4[31:16] (depending on timers)															
rw/ro	rw/ro	rw/ro	rw/ro	rw/ro	rw/ro	rw/ro	rw/ro	rw/ro	rw/ro	rw/ro	rw/ro	rw/ro	rw/ro	rw/ro	rw/ro
15	14	13	12	11	10	9	8	7	6	5	4	3	2	1	0
CCR4[15:0]															
rw/ro	rw/ro	rw/ro	rw/ro	rw/ro	rw/ro	rw/ro	rw/ro	rw/ro	rw/ro	rw/ro	rw/ro	rw/ro	rw/ro	rw/ro	rw/ro

Bits 31:16 **CCR4[31:16]**: High Capture/Compare 4 value (on TIM2 and TIM5).



Bits 15:0 **CCR4[15:0]**: Low Capture/Compare value

1. if CC4 channel is configured as output (CC4S bits):
 CCR4 is the value to be loaded in the actual capture/compare 4 register (preload value). It is loaded permanently if the preload feature is not selected in the TIMx_CCMR4 register (bit OC4PE). Else the preload value is copied in the active capture/compare 4 register when an update event occurs.
 The active capture/compare register contains the value to be compared to the counter TIMx_CNT and signaled on OC4 output.
2. if CC4 channel is configured as input (CC4S bits in TIMx_CCMR4 register):
 CCR4 is the counter value transferred by the last input capture 4 event (IC4). The TIMx_CCR4 register is read-only and cannot be programmed.

14.4.17 TIMx DMA control register (TIMx_DCR)

Address offset: 0x48

Reset value: 0x0000

15	14	13	12	11	10	9	8	7	6	5	4	3	2	1	0
Reserved			DBL[4:0]					Reserved			DBA[4:0]				
			rw	rw	rw	rw	rw				rw	rw	rw	rw	rw

Bits 15:13 Reserved, must be kept at reset value.

Bits 12:8 **DBL[4:0]**: DMA burst length

This 5-bit vector defines the number of DMA transfers (the timer recognizes a burst transfer when a read or a write access is done to the TIMx_DMAR address).

- 00000: 1 transfer,
- 00001: 2 transfers,
- 00010: 3 transfers,
- ...
- 10001: 18 transfers.

Bits 7:5 Reserved, must be kept at reset value.

Bits 4:0 **DBA[4:0]**: DMA base address

This 5-bit vector defines the base-address for DMA transfers (when read/write access are done through the TIMx_DMAR address). DBA is defined as an offset starting from the address of the TIMx_CR1 register.

- Example:
- 00000: TIMx_CR1,
 - 00001: TIMx_CR2,
 - 00010: TIMx_SMCR,
 - ...

Example: Let us consider the following transfer: DBL = 7 transfers & DBA = TIMx_CR1. In this case the transfer is done to/from 7 registers starting from the TIMx_CR1 address.

14.4.18 TIMx DMA address for full transfer (TIMx_DMAR)

Address offset: 0x4C

Reset value: 0x0000

15	14	13	12	11	10	9	8	7	6	5	4	3	2	1	0
DMAB[15:0]															
rw	rw	rw	rw	rw	rw	rw	rw	rw	rw	rw	rw	rw	rw	rw	rw



Bits 15:0 **DMAB[15:0]**: DMA register for burst accesses

A read or write operation to the DMAR register accesses the register located at the address
 $(\text{TIMx_CR1 address}) + (\text{DBA} + \text{DMA index}) \times 4$

where TIMx_CR1 address is the address of the control register 1, DBA is the DMA base address configured in TIMx_DCR register, DMA index is automatically controlled by the DMA transfer, and ranges from 0 to DBL (DBL configured in TIMx_DCR).

Example of how to use the DMA burst feature

In this example the timer DMA burst feature is used to update the contents of the CCRx registers (x = 2, 3, 4) with the DMA transferring half words into the CCRx registers.

This is done in the following steps:

1. Configure the corresponding DMA channel as follows:
 - DMA channel peripheral address is the DMAR register address
 - DMA channel memory address is the address of the buffer in the RAM containing the data to be transferred by DMA into CCRx registers.
 - Number of data to transfer = 3 (See note below).
 - Circular mode disabled.
2. Configure the DCR register by configuring the DBA and DBL bit fields as follows: DBL = 3 transfers, DBA = 0xE.
3. Enable the TIMx update DMA request (set the UDE bit in the DIER register).
4. Enable TIMx
5. Enable the DMA channel

Note: This example is for the case where every CCRx register to be updated once. If every CCRx register is to be updated twice for example, the number of data to transfer should be 6. Let's take the example of a buffer in the RAM containing data1, data2, data3, data4, data5 and data6. The data is transferred to the CCRx registers as follows: on the first update DMA request, data1 is transferred to CCR2, data2 is transferred to CCR3, data3 is transferred to CCR4 and on the second update DMA request, data4 is transferred to CCR2, data5 is transferred to CCR3 and data6 is transferred to CCR4.

14.4.19 TIM2 option register (TIM2_OR)

Address offset: 0x50

Reset value: 0x0000

15	14	13	12	11	10	9	8	7	6	5	4	3	2	1	0
Reserved				ITR1_RMP		Reserved									
				rw	rw										

Bits 15:12 Reserved, must be kept at reset value.

Bits 11:10 **ITR1_RMP**: Internal trigger 1 remap
 Set and cleared by software.
 00: TIM8_TRGOUT
 01: PTP trigger output is connected to TIM2_ITR1
 10: OTG FS SOF is connected to the TIM2_ITR1 input
 11: OTG HS SOF is connected to the TIM2_ITR1 input

Bits 9:0 Reserved, must be kept at reset value.

14.4.20 TIM5 option register (TIM5_OR)

Address offset: 0x50

Reset value: 0x0000

15	14	13	12	11	10	9	8	7	6	5	4	3	2	1	0
Reserved								TI4_RMP		Reserved					
								rw	rw						

Bits 15:8 Reserved, must be kept at reset value.

Bits 7:6 **TI4_RMP**: Timer Input 4 remap
 Set and cleared by software.
 00: TIM5 Channel4 is connected to the GPIO: Refer to the Alternate function mapping table in the datasheets.
 01: the LSI internal clock is connected to the TIM5_CH4 input for calibration purposes
 10: the LSE internal clock is connected to the TIM5_CH4 input for calibration purposes
 11: the RTC wake-up interrupt is connected to TIM5_CH4 input for calibration purposes. Wake-up interrupt should be enabled.

Bits 5:0 Reserved, must be kept at reset value.

14.4.21 TIMx register map

TIMx registers are mapped as described in the table below:

Table 62. TIM2 to TIM5 register map and reset values

Offset	Register	31	30	29	28	27	26	25	24	23	22	21	20	19	18	17	16	15	14	13	12	11	10	9	8	7	6	5	4	3	2	1	0																
0x00	TIMx_CR1	Reserved																							CKD [1:0]	ARPE	CMS [1:0]	DIR	OPM	URS	UDIS	CEN																	
	Reset value	0																							0	0	0	0	0	0	0	0																	
0x04	TIMx_CR2	Reserved																							TIS			MMS[2:0]	CCDS			Reserved																	
	Reset value	0																							0	0	0	0	0	0	0																		
0x08	TIMx_SMCR	Reserved																	ETP	ECE	ETPS [1:0]	ETF[3:0]			MSM	TS[2:0]			Reserved			SMS[2:0]																	
	Reset value	0																	0	0	0	0	0	0	0	0	0	0	0	0	0	0	0	0	0	0													
0x0C	TIMx_DIER	Reserved																	TDE			COMDE	CC4DE	CC3DE	CC2DE	CC1DE	UDE	Reserved	TIE	Reserved			CC4IE	CC3IE	CC2IE	CC1IE	UIE												
	Reset value	0																	0	0	0	0	0	0	0	0	0	0	0	0	0	0	0	0	0	0	0												
0x10	TIMx_SR	Reserved																							CC4OF			CC3OF	CC2OF	CC1OF	Reserved			TIF	Reserved			CC4IF	CC3IF	CC2IF	CC1IF	UIF							
	Reset value	0																							0	0	0	0	0	0	0	0	0	0	0	0	0	0	0	0	0	0	0						
0x14	TIMx_EGR	Reserved																							TG			Reserved			CC4G	CC3G	CC2G	CC1G	UG														
	Reset value	0																							0	0	0	0	0	0	0	0	0	0	0														
0x18	TIMx_CCMR1 Output Compare mode	Reserved																	OC2CE	OC2M [2:0]			OC2PE	OC2FE	CC2S [1:0]			OC1CE	OC1M [2:0]			OC1PE	OC1FE	CC1S [1:0]															
	Reset value	0																	0	0	0	0	0	0	0	0	0	0	0	0	0	0	0	0															
0x18	TIMx_CCMR1 Input Capture mode	Reserved																	IC2F[3:0]			IC2PSC [1:0]	CC2S [1:0]			IC1F[3:0]			IC1PSC [1:0]	CC1S [1:0]																			
	Reset value	0																	0	0	0	0	0	0	0	0	0	0	0	0	0																		
0x1C	TIMx_CCMR2 Output Compare mode	Reserved																	OC4CE	OC4M [2:0]			OC4PE	OC4FE	CC4S [1:0]			OC3CE	OC3M [2:0]			OC3PE	OC3FE	CC3S [1:0]															
	Reset value	0																	0	0	0	0	0	0	0	0	0	0	0	0	0	0																	
0x1C	TIMx_CCMR2 Input Capture mode	Reserved																	IC4F[3:0]			IC4PSC [1:0]	CC4S [1:0]			IC3F[3:0]			IC3PSC [1:0]	CC3S [1:0]																			
	Reset value	0																	0	0	0	0	0	0	0	0	0	0	0	0	0																		
0x20	TIMx_CCER	Reserved																	CC4NP	Reserved	CC4P	CC4E	CC3NP	Reserved	CC3P	CC3E	CC2NP	Reserved	CC2P	CC2E	CC1NP	Reserved	CC1P	CC1E															
	Reset value	0																	0	0	0	0	0	0	0	0	0	0	0	0	0	0	0																
0x24	TIMx_CNT	CNT[31:16] (TIM2 and TIM5 only, reserved on the other timers)																	CNT[15:0]																														
	Reset value	0	0	0	0	0	0	0	0	0	0	0	0	0	0	0	0	0	0	0	0	0	0	0	0	0	0	0	0	0	0	0	0																
0x28	TIMx_PSC	Reserved																	PSC[15:0]																														
	Reset value	0																	0	0	0	0	0	0	0	0	0	0	0	0	0	0	0	0															



Table 62. TIM2 to TIM5 register map and reset values (continued)

Offset	Register	31	30	29	28	27	26	25	24	23	22	21	20	19	18	17	16	15	14	13	12	11	10	9	8	7	6	5	4	3	2	1	0														
0x2C	TIMx_ARR	ARR[31:16] (TIM2 and TIM5 only, reserved on the other timers)																ARR[15:0]																													
	Reset value	1	1	1	1	1	1	1	1	1	1	1	1	1	1	1	1	1	1	1	1	1	1	1	1	1	1	1	1	1	1	1	1														
0x30	Reserved																																														
0x34	TIMx_CCR1	CCR1[31:16] (TIM2 and TIM5 only, reserved on the other timers)																CCR1[15:0]																													
	Reset value	0	0	0	0	0	0	0	0	0	0	0	0	0	0	0	0	0	0	0	0	0	0	0	0	0	0	0	0	0	0	0	0	0													
0x38	TIMx_CCR2	CCR2[31:16] (TIM2 and TIM5 only, reserved on the other timers)																CCR2[15:0]																													
	Reset value	0	0	0	0	0	0	0	0	0	0	0	0	0	0	0	0	0	0	0	0	0	0	0	0	0	0	0	0	0	0	0	0	0													
0x3C	TIMx_CCR3	CCR3[31:16] (TIM2 and TIM5 only, reserved on the other timers)																CCR3[15:0]																													
	Reset value	0	0	0	0	0	0	0	0	0	0	0	0	0	0	0	0	0	0	0	0	0	0	0	0	0	0	0	0	0	0	0	0	0													
0x40	TIMx_CCR4	CCR4[31:16] (TIM2 and TIM5 only, reserved on the other timers)																CCR4[15:0]																													
	Reset value	0	0	0	0	0	0	0	0	0	0	0	0	0	0	0	0	0	0	0	0	0	0	0	0	0	0	0	0	0	0	0	0	0													
0x44	Reserved																																														
0x48	TIMx_DCR	Reserved																DBL[4:0]				Reserved				DBA[4:0]																					
	Reset value																	0	0	0	0	0					0	0	0	0	0																
0x4C	TIMx_DMAR	Reserved																DMAB[15:0]																													
	Reset value																	0	0	0	0	0	0	0	0	0	0	0	0	0	0	0	0	0	0	0	0	0	0	0	0	0	0	0	0	0	0
0x50	TIM2_OR	Reserved																Reserved		ITR1_RMP		Reserved																									
	Reset value																			0	0																										
0x50	TIM5_OR	Reserved																Reserved						IT4_RMP		Reserved																					
	Reset value																							0	0																						

Refer to [Section 3.3: Memory map](#) for the register boundary addresses.

15 General-purpose timers (TIM9 to TIM14)

This section applies to the whole STM32F20x and STM32F21x family, unless otherwise specified.

15.1 TIM9 to TIM14 introduction

The TIM9 to TIM14 general-purpose timers consist of a 16-bit auto-reload counter driven by a programmable prescaler.

They may be used for a variety of purposes, including measuring the pulse lengths of input signals (input capture) or generating output waveforms (output compare, PWM).

Pulse lengths and waveform periods can be modulated from a few microseconds to several milliseconds using the timer prescaler and the RCC clock controller prescalers.

The TIM9 to TIM14 timers are completely independent, and do not share any resources. They can be synchronized together as described in [Section 15.3.12](#).

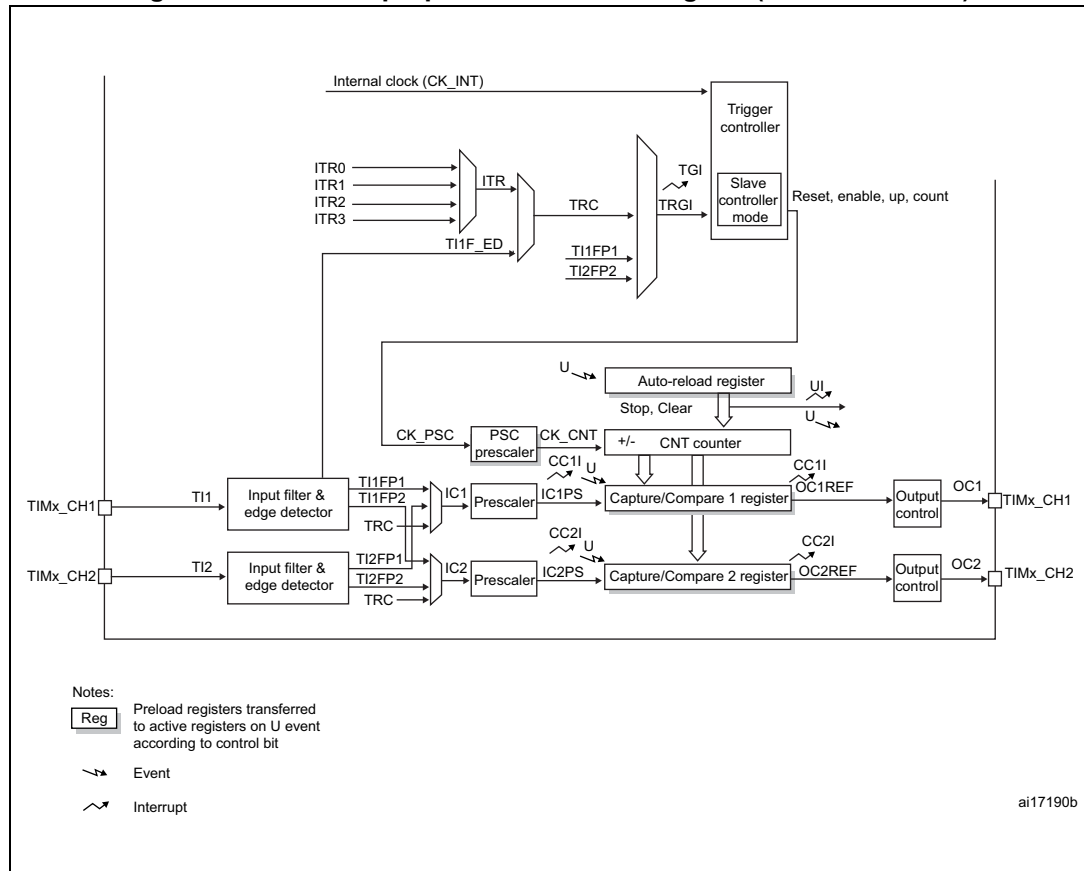
15.2 TIM9 to TIM14 main features

15.2.1 TIM9/TIM12 main features

The features of the TIM9 to TIM14 general-purpose timers include:

- 16-bit auto-reload upcounter
- 16-bit programmable prescaler used to divide the counter clock frequency by any factor between 1 and 65536 (can be changed “on the fly”)
- Up to 2 independent channels for:
 - Input capture
 - Output compare
 - PWM generation (edge-aligned mode)
 - One-pulse mode output
- Synchronization circuit to control the timer with external signals and to interconnect several timers together
- Interrupt generation on the following events:
 - Update: counter overflow, counter initialization (by software or internal trigger)
 - Trigger event (counter start, stop, initialization or count by internal trigger)
 - Input capture
 - Output compare

Figure 159. General-purpose timer block diagram (TIM9 and TIM12)

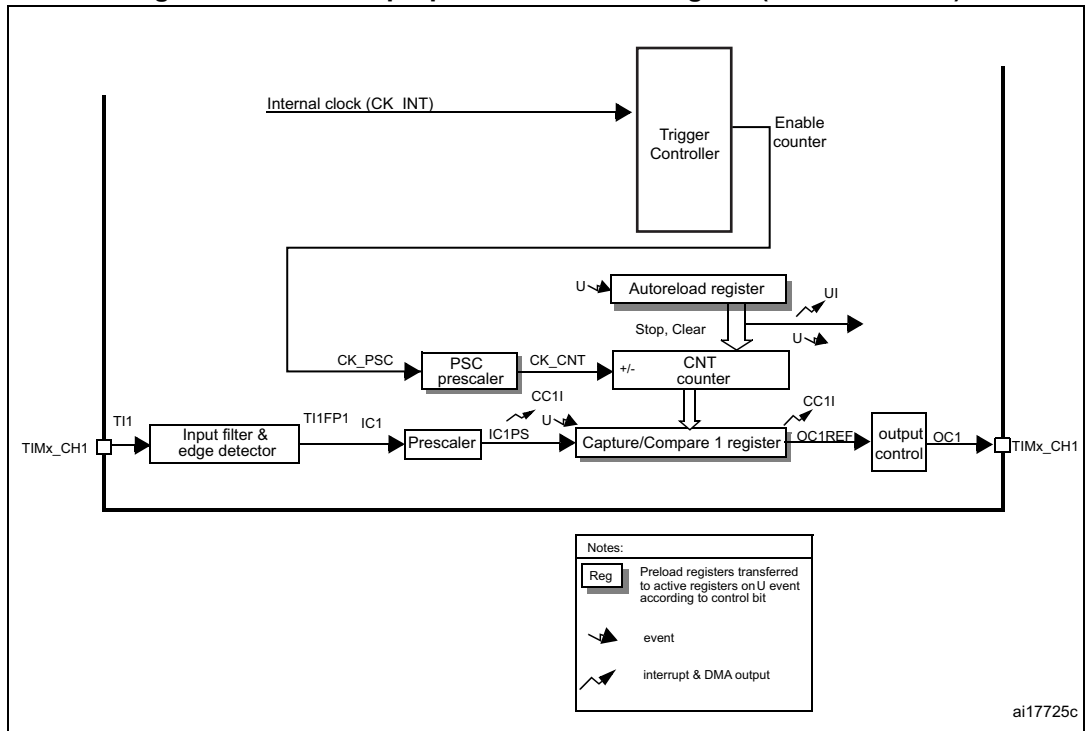


15.2.2 TIM10/TIM11 and TIM13/TIM14 main features

The features of general-purpose timers TIM10/TIM11 and TIM13/TIM14 include:

- 16-bit auto-reload upcounter
- 16-bit programmable prescaler used to divide the counter clock frequency by any factor between 1 and 65536 (can be changed “on the fly”)
- independent channel for:
 - Input capture
 - Output compare
 - PWM generation (edge-aligned mode)
 - One-pulse mode output
- Interrupt generation on the following events:
 - Update: counter overflow, counter initialization (by software)
 - Input capture
 - Output compare

Figure 160. General-purpose timer block diagram (TIM10/11/13/14)



15.3 TIM9 to TIM14 functional description

15.3.1 Time-base unit

The main block of the timer is a 16-bit counter with its related auto-reload register. The counter counts up.

The counter clock can be divided by a prescaler.

The counter, the auto-reload register and the prescaler register can be written or read by software. This is true even when the counter is running.

The time-base unit includes:

- Counter register (TIMx_CNT)
- Prescaler register (TIMx_PSC)
- Auto-reload register (TIMx_ARR)

The auto-reload register is preloaded. Writing to or reading from the auto-reload register accesses the preload register. The content of the preload register are transferred into the shadow register permanently or at each update event (UEV), depending on the auto-reload preload enable bit (ARPE) in TIMx_CR1 register. The update event is sent when the counter reaches the overflow and if the UDIS bit equals 0 in the TIMx_CR1 register. It can also be generated by software. The generation of the update event is described in details for each configuration.

The counter is clocked by the prescaler output CK_CNT, which is enabled only when the counter enable bit (CEN) in TIMx_CR1 register is set (refer also to the slave mode controller description to get more details on counter enabling).

Note that the counter starts counting 1 clock cycle after setting the CEN bit in the TIMx_CR1 register.

Prescaler description

The prescaler can divide the counter clock frequency by any factor between 1 and 65536. It is based on a 16-bit counter controlled through a 16-bit register (in the TIMx_PSC register). It can be changed on the fly as this control register is buffered. The new prescaler ratio is taken into account at the next update event.

Figure 161 and *Figure 162* give some examples of the counter behavior when the prescaler ratio is changed on the fly.

Figure 161. Counter timing diagram with prescaler division change from 1 to 2

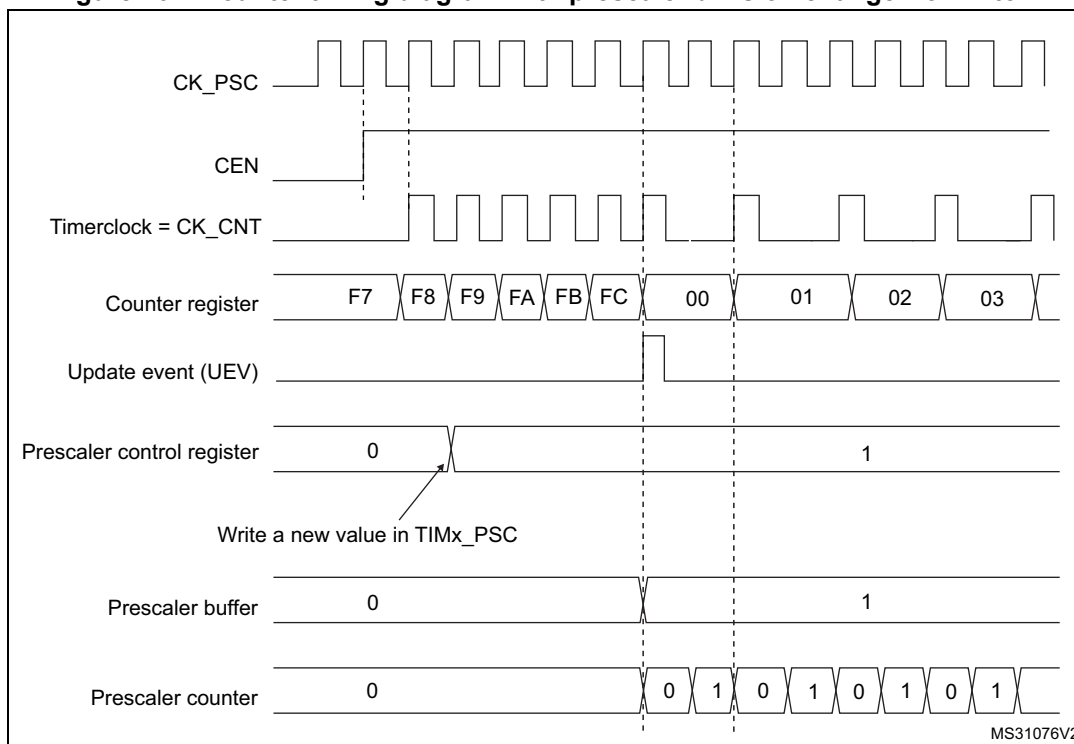
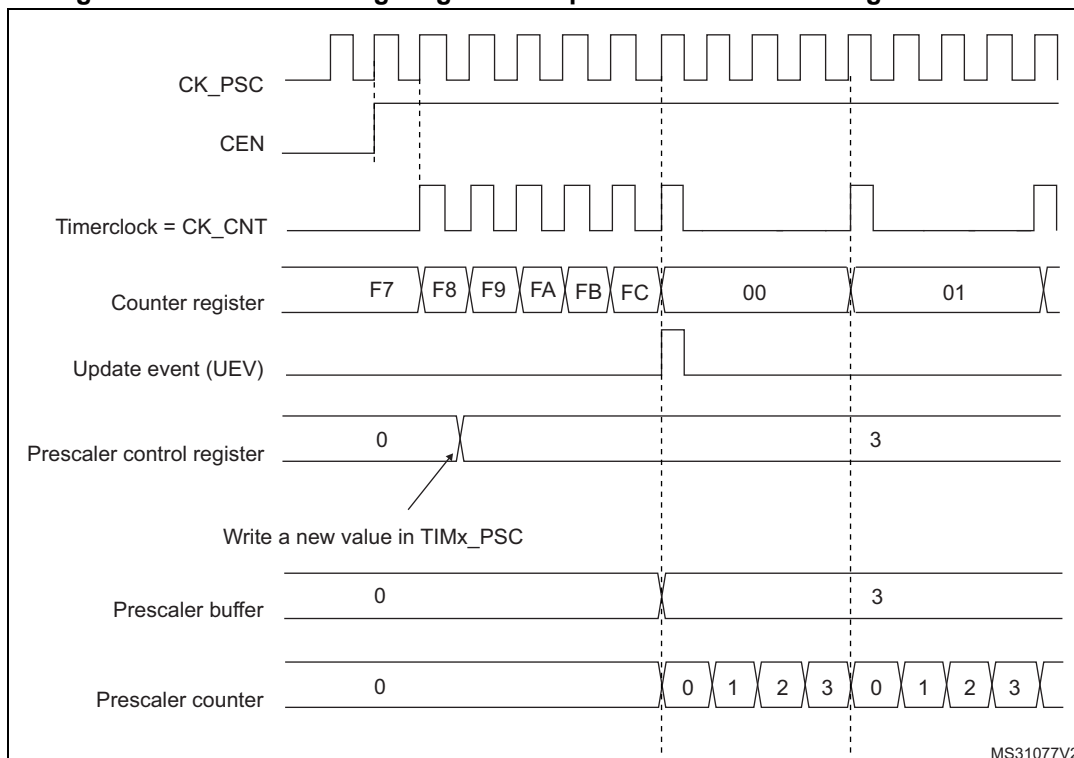


Figure 162. Counter timing diagram with prescaler division change from 1 to 4



15.3.2 Counter modes

Upcounting mode

In upcounting mode, the counter counts from 0 to the auto-reload value (content of the TIMx_ARR register), then restarts from 0 and generates a counter overflow event.

Setting the UG bit in the TIMx_EGR register (by software or by using the slave mode controller on TIM9 and TIM12) also generates an update event.

The UEV event can be disabled by software by setting the UDIS bit in the TIMx_CR1 register. This is to avoid updating the shadow registers while writing new values in the preload registers. Then no update event occurs until the UDIS bit has been written to 0. However, the counter restarts from 0, as well as the counter of the prescaler (but the prescale rate does not change). In addition, if the URS bit (update request selection) in TIMx_CR1 register is set, setting the UG bit generates an update event UEV but without setting the UIF flag (thus no interrupt is sent). This is to avoid generating both update and capture interrupts when clearing the counter on the capture event.

When an update event occurs, all the registers are updated and the update flag (UIF bit in TIMx_SR register) is set (depending on the URS bit):

- The auto-reload shadow register is updated with the preload value (TIMx_ARR),
- The buffer of the prescaler is reloaded with the preload value (content of the TIMx_PSC register).

The following figures show some examples of the counter behavior for different clock frequencies when TIMx_ARR=0x36.

Figure 163. Counter timing diagram, internal clock divided by 1

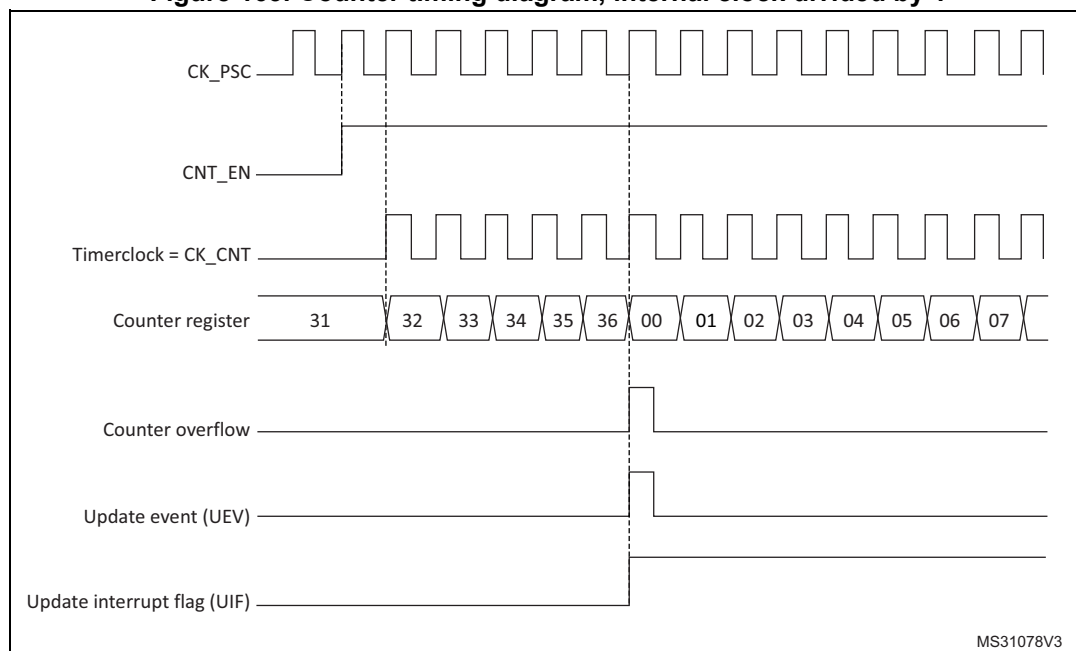


Figure 164. Counter timing diagram, internal clock divided by 2

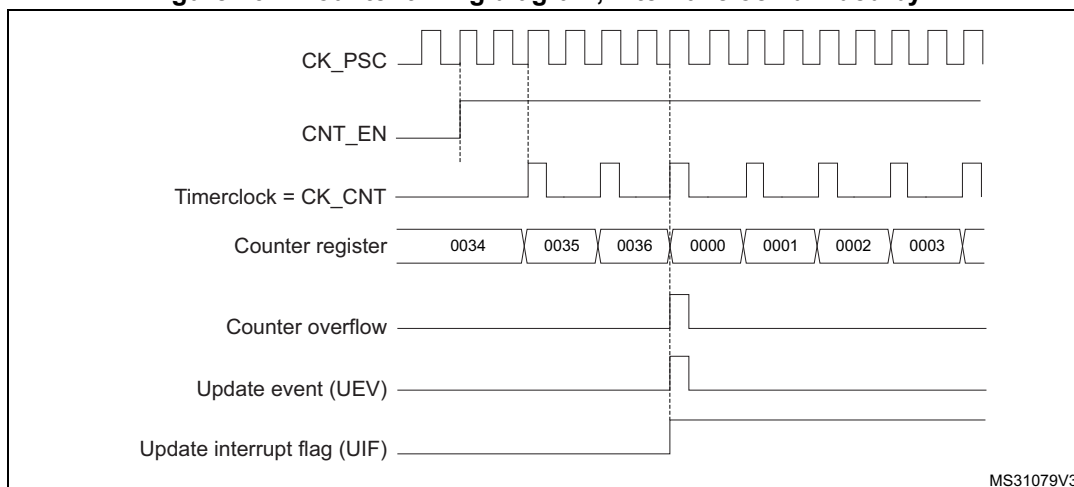


Figure 165. Counter timing diagram, internal clock divided by 4

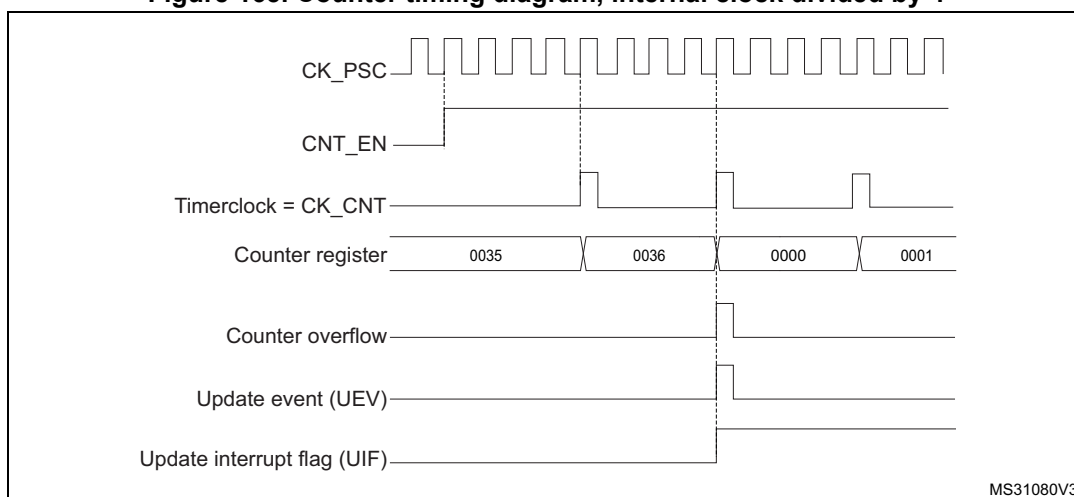


Figure 166. Counter timing diagram, internal clock divided by N

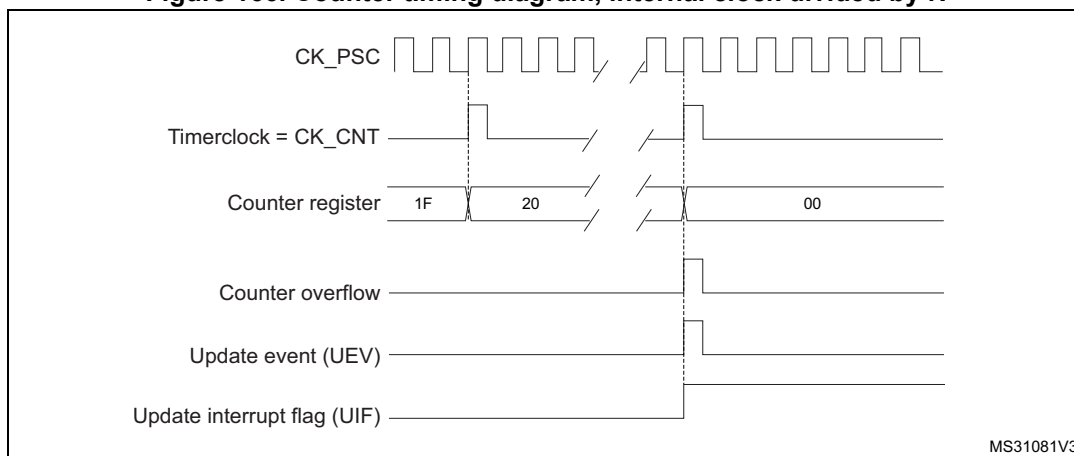


Figure 167. Counter timing diagram, update event when ARPE=0 (TIMx_ARR not preloaded)

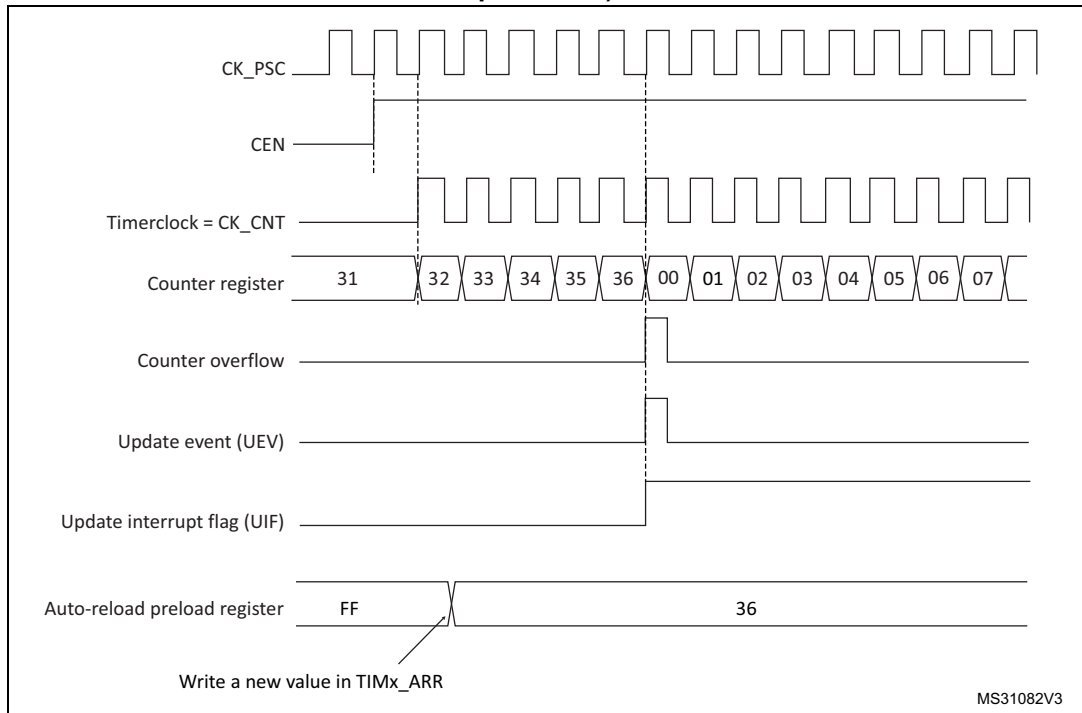
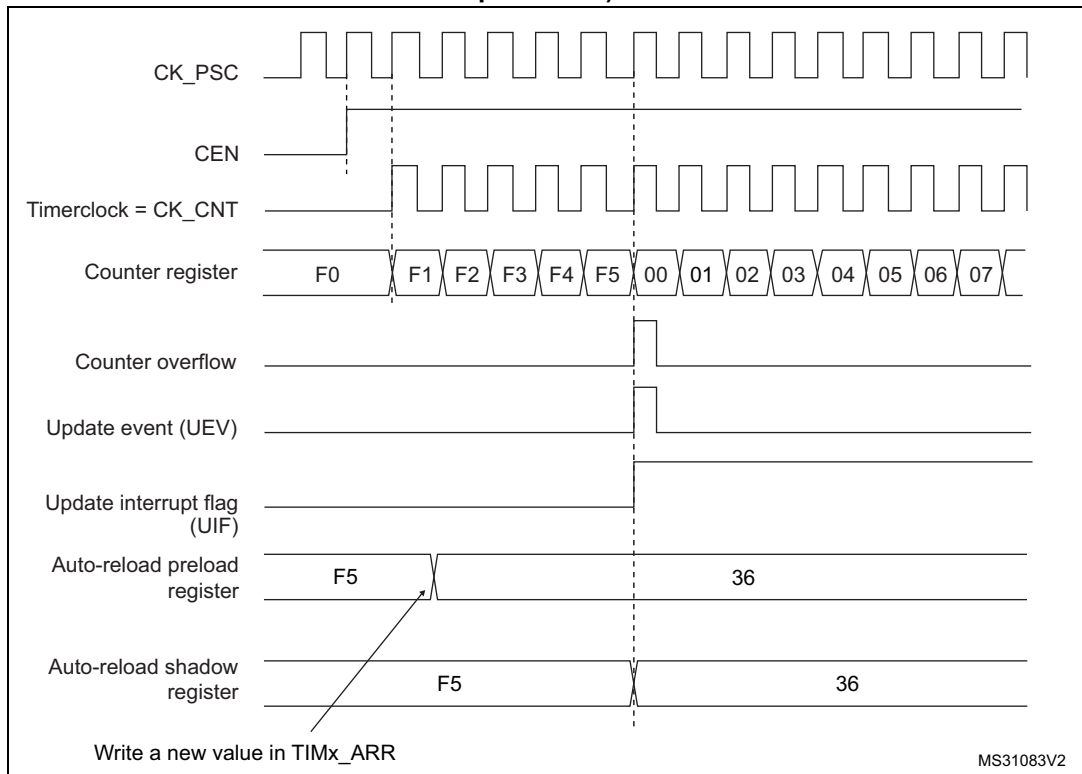


Figure 168. Counter timing diagram, update event when ARPE=1 (TIMx_ARR preloaded)



15.3.3 Clock selection

The counter clock can be provided by the following clock sources:

- Internal clock (CK_INT)
- External clock mode1 (for **TIM9 and TIM12**): external input pin (Tlx)
- Internal trigger inputs (ITRx) (for **TIM9 and TIM12**): connecting the trigger output from another timer. Refer to *Using one timer as prescaler for another timer* for more details.

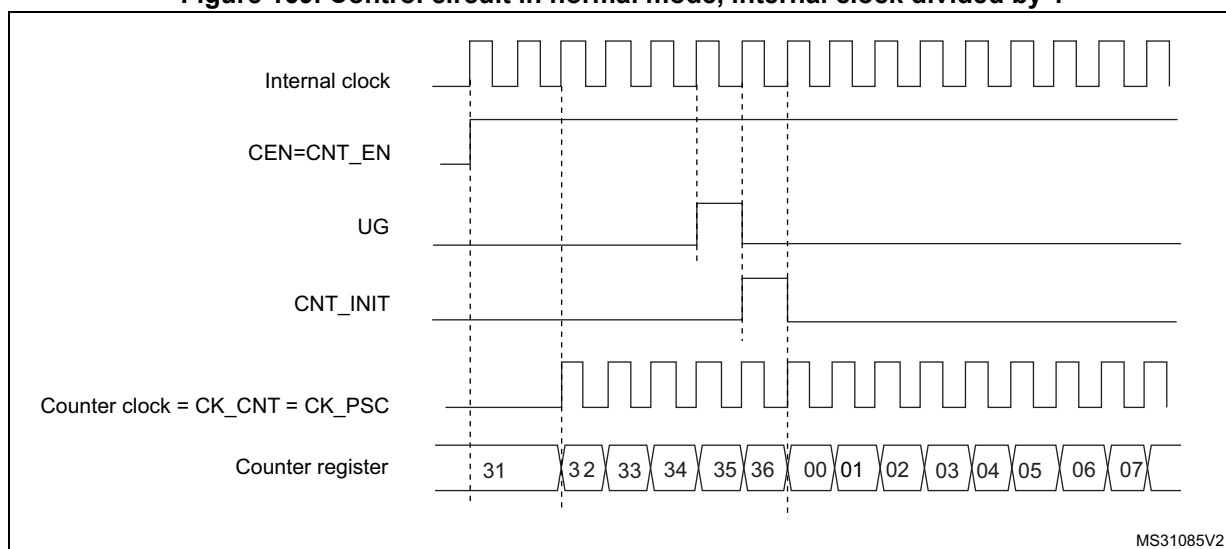
Internal clock source (CK_INT)

The internal clock source is the default clock source for TIM10/TIM11 and TIM13/TIM14.

For TIM9 and TIM12, the internal clock source is selected when the slave mode controller is disabled (SMS='000'). The CEN bit in the TIMx_CR1 register and the UG bit in the TIMx_EGR register are then used as control bits and can be changed only by software (except for UG which remains cleared). As soon as the CEN bit is programmed to 1, the prescaler is clocked by the internal clock CK_INT.

Figure 169 shows the behavior of the control circuit and of the upcounter in normal mode, without prescaler.

Figure 169. Control circuit in normal mode, internal clock divided by 1

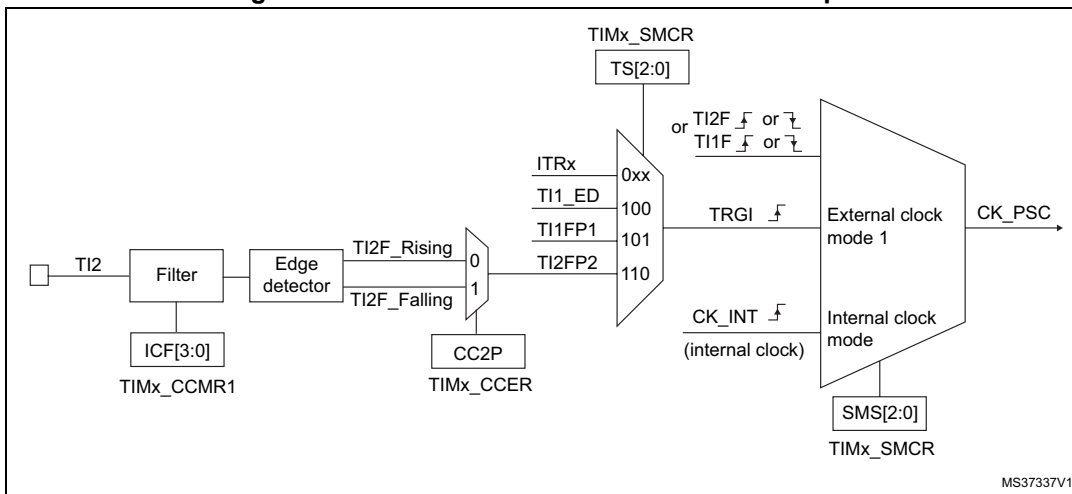


MS31085V2

External clock source mode 1(TIM9 and TIM12)

This mode is selected when SMS='111' in the TIMx_SMCR register. The counter can count at each rising or falling edge on a selected input.

Figure 170. TI2 external clock connection example



For example, to configure the upcounter to count in response to a rising edge on the TI2 input, use the following procedure:

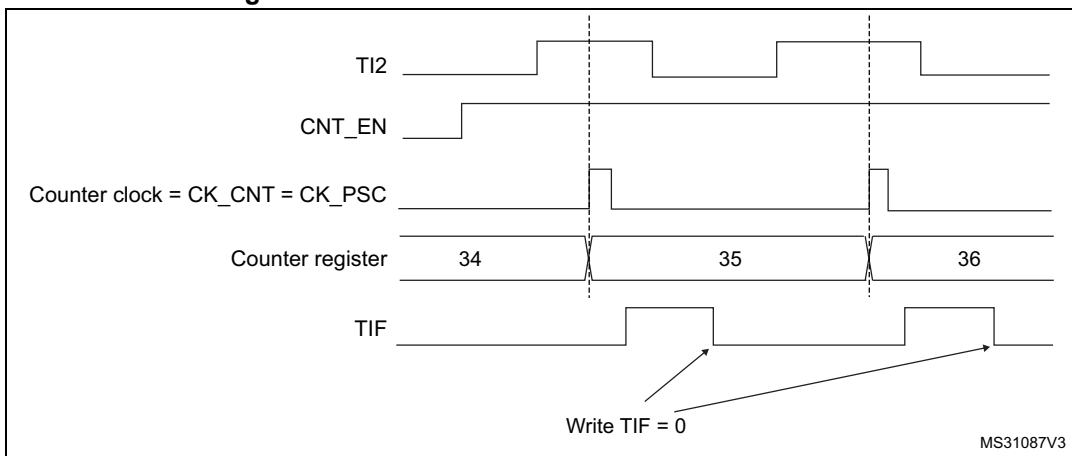
1. Configure channel 2 to detect rising edges on the TI2 input by writing CC2S = '01' in the TIMx_CCMR1 register.
2. Configure the input filter duration by writing the IC2F[3:0] bits in the TIMx_CCMR1 register (if no filter is needed, keep IC2F='0000').
3. Select the rising edge polarity by writing CC2P='0' and CC2NP='0' in the TIMx_CCER register.
4. Configure the timer in external clock mode 1 by writing SMS='111' in the TIMx_SMCR register.
5. Select TI2 as the trigger input source by writing TS='110' in the TIMx_SMCR register.
6. Enable the counter by writing CEN='1' in the TIMx_CR1 register.

Note: The capture prescaler is not used for triggering, so no need to configure it.

When a rising edge occurs on TI2, the counter counts once and the TIF flag is set.

The delay between the rising edge on TI2 and the actual clock of the counter is due to the resynchronization circuit on TI2 input.

Figure 171. Control circuit in external clock mode 1



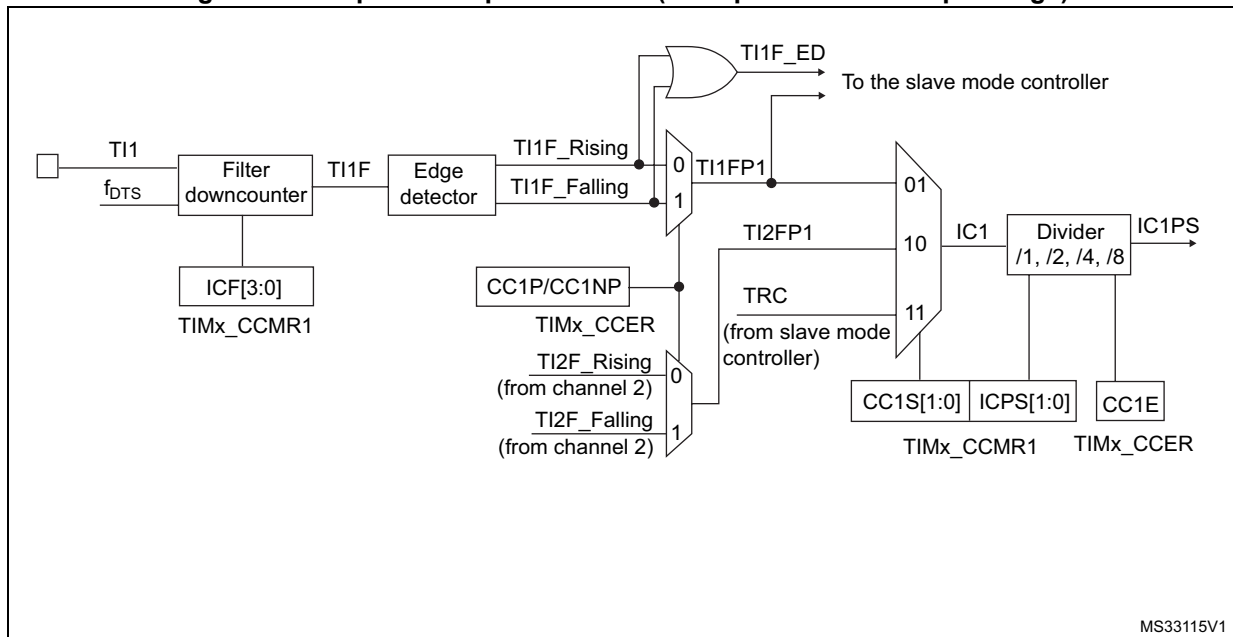
15.3.4 Capture/compare channels

Each Capture/Compare channel is built around a capture/compare register (including a shadow register), a input stage for capture (with digital filter, multiplexing and prescaler) and an output stage (with comparator and output control).

Figure 172 to Figure 174 give an overview of a capture/compare channel.

The input stage samples the corresponding T_{ix} input to generate a filtered signal T_{ix}F. Then, an edge detector with polarity selection generates a signal (T_{ix}FP_x) which can be used as trigger input by the slave mode controller or as the capture command. It is prescaled before the capture register (IC_xPS).

Figure 172. Capture/compare channel (example: channel 1 input stage)



The output stage generates an intermediate waveform which is then used for reference: OC_xRef (active high). The polarity acts at the end of the chain.

Figure 173. Capture/compare channel 1 main circuit

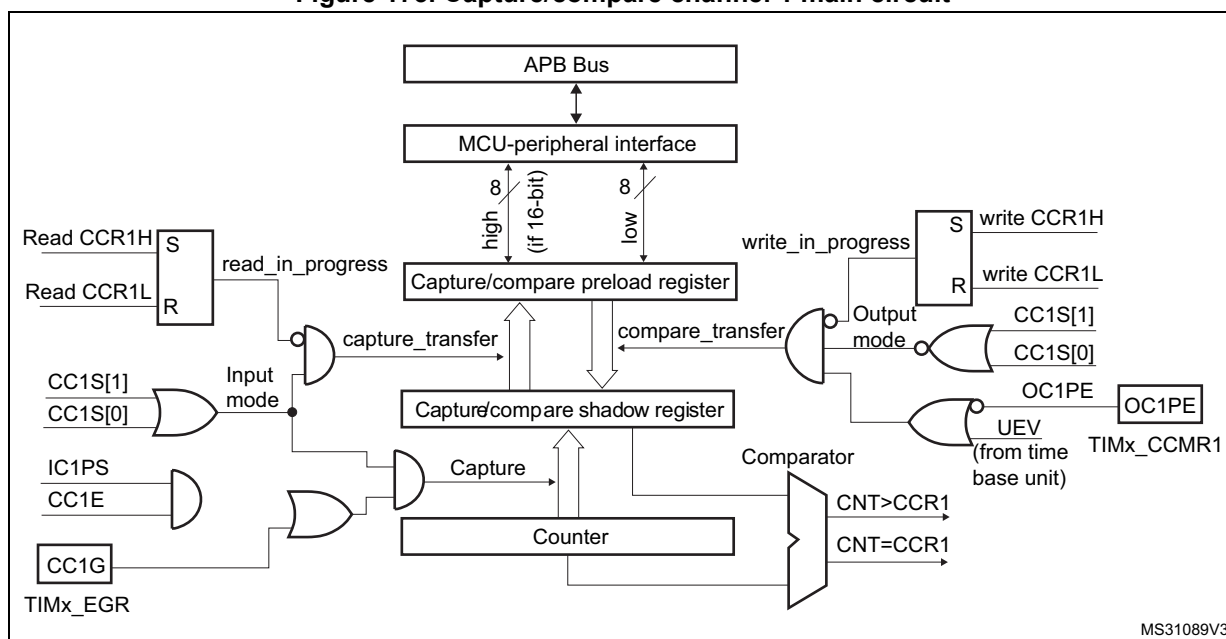
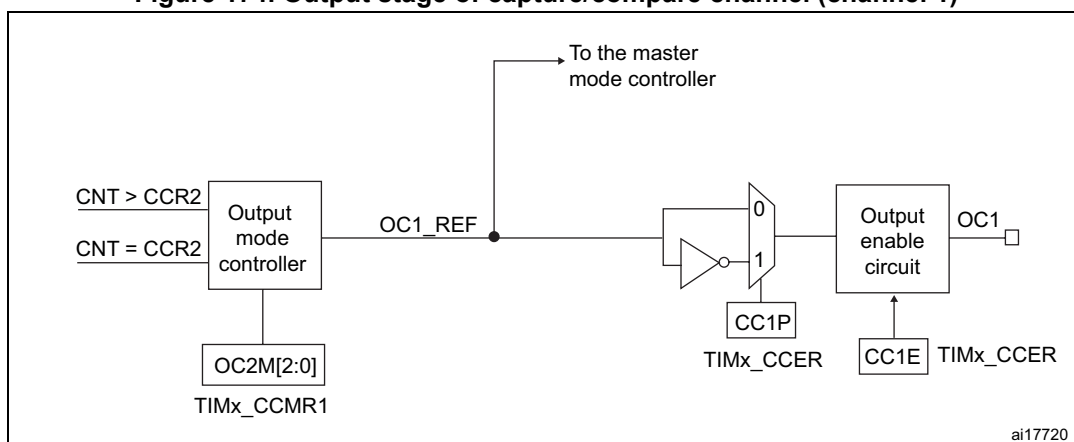


Figure 174. Output stage of capture/compare channel (channel 1)



The capture/compare block is made of one preload register and one shadow register. Write and read always access the preload register.

In capture mode, captures are actually done in the shadow register, which is copied into the preload register.

In compare mode, the content of the preload register is copied into the shadow register which is compared to the counter.

15.3.5 Input capture mode

In Input capture mode, the Capture/Compare registers (TIMx_CCRx) are used to latch the value of the counter after a transition detected by the corresponding ICx signal. When a capture occurs, the corresponding CCxIF flag (TIMx_SR register) is set and an interrupt or a DMA request can be sent if they are enabled. If a capture occurs while the CCxIF flag was already high, then the over-capture flag CCxOF (TIMx_SR register) is set. CCxIF can be

cleared by software by writing it to '0' or by reading the captured data stored in the TIMx_CCRx register. CCxOF is cleared when the user writes it to '0'.

The following example shows how to capture the counter value in TIMx_CCR1 when TI1 input rises. To do this, use the following procedure:

1. Select the active input: TIMx_CCR1 must be linked to the TI1 input, so write the CC1S bits to '01' in the TIMx_CCMR1 register. As soon as CC1S becomes different from '00', the channel is configured in input mode and the TIMx_CCR1 register becomes read-only.
2. Program the needed input filter duration with respect to the signal connected to the timer (by programming the ICxF bits in the TIMx_CCMRx register if the input is one of the TIx inputs). Let us imagine that, when toggling, the input signal is not stable during at least five internal clock cycles. We must program a filter duration longer than these 5 clock cycles. We can validate a transition on TI1 when eight consecutive samples with the new level have been detected (sampled at f_{DTS} frequency). Then write IC1F bits to '0011' in the TIMx_CCMR1 register.
3. Select the edge of the active transition on the TI1 channel by programming CC1P and CC1NP bits to '00' in the TIMx_CCER register (rising edge in this case).
4. Program the input prescaler. In our example, we wish the capture to be performed at each valid transition, so the prescaler is disabled (write IC1PS bits to '00' in the TIMx_CCMR1 register).
5. Enable capture from the counter into the capture register by setting the CC1E bit in the TIMx_CCER register.
6. If needed, enable the related interrupt request by setting the CC1IE bit in the TIMx_DIER register.

When an input capture occurs:

- The TIMx_CCR1 register gets the value of the counter on the active transition.
- CC1IF flag is set (interrupt flag). CC1OF is also set if at least two consecutive captures occurred whereas the flag was not cleared.
- An interrupt is generated depending on the CC1IE bit.

In order to handle the overcapture, it is recommended to read the data before the overcapture flag. This is to avoid missing an overcapture which could happen after reading the flag and before reading the data.

Note: IC interrupt requests can be generated by software by setting the corresponding CCxG bit in the TIMx_EGR register.

15.3.6 PWM input mode (only for TIM9/12)

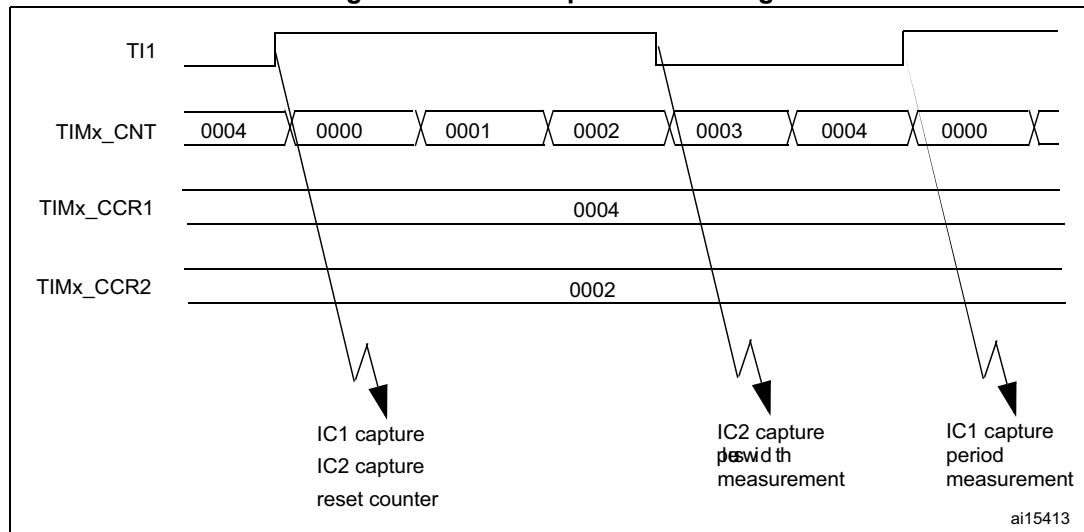
This mode is a particular case of input capture mode. The procedure is the same except:

- Two ICx signals are mapped on the same TIx input.
- These 2 ICx signals are active on edges with opposite polarity.
- One of the two TIxFP signals is selected as trigger input and the slave mode controller is configured in reset mode.

For example, the user can measure the period (in TIMx_CCR1 register) and the duty cycle (in TIMx_CCR2 register) of the PWM applied on TI1 using the following procedure (depending on CK_INT frequency and prescaler value):

1. Select the active input for TIMx_CCR1: write the CC1S bits to '01' in the TIMx_CCMR1 register (TI1 selected).
2. Select the active polarity for TI1FP1 (used both for capture in TIMx_CCR1 and counter clear): program the CC1P and CC1NP bits to '00' (active on rising edge).
3. Select the active input for TIMx_CCR2: write the CC2S bits to '10' in the TIMx_CCMR1 register (TI1 selected).
4. Select the active polarity for TI1FP2 (used for capture in TIMx_CCR2): write the CC2P bit to '1' and the CC2NP bit to '0' (active on falling edge).
5. Select the valid trigger input: write the TS bits to '101' in the TIMx_SMCR register (TI1FP1 selected).
6. Configure the slave mode controller in reset mode: write the SMS bits to '100' in the TIMx_SMCR register.
7. Enable the captures: write the CC1E and CC2E bits to '1' in the TIMx_CCER register.

Figure 175. PWM input mode timing



1. The PWM input mode can be used only with the TIMx_CH1/TIMx_CH2 signals due to the fact that only TI1FP1 and TI2FP2 are connected to the slave mode controller.

15.3.7 Forced output mode

In output mode (CCxS bits = '00' in the TIMx_CCMRx register), each output compare signal (OCxREF and then OCx) can be forced to active or inactive level directly by software, independently of any comparison between the output compare register and the counter.

To force an output compare signal (OCXREF/OCx) to its active level, the user just needs to write '101' in the OCxM bits in the corresponding TIMx_CCMRx register. Thus OCXREF is forced high (OCxREF is always active high) and OCx get opposite value to CCxP polarity bit.

For example: CCxP='0' (OCx active high) => OCx is forced to high level.

The OCxREF signal can be forced low by writing the OCxM bits to '100' in the TIMx_CCMRx register.

Anyway, the comparison between the TIMx_CCRx shadow register and the counter is still performed and allows the flag to be set. Interrupt requests can be sent accordingly. This is described in the output compare mode section below.

15.3.8 Output compare mode

This function is used to control an output waveform or indicating when a period of time has elapsed.

When a match is found between the capture/compare register and the counter, the output compare function:

1. Assigns the corresponding output pin to a programmable value defined by the output compare mode (OCxM bits in the TIMx_CCMRx register) and the output polarity (CCxP bit in the TIMx_CCER register). The output pin can keep its level (OCxM='000'), be set active (OCxM='001'), be set inactive (OCxM='010') or can toggle (OCxM='011') on match.
2. Sets a flag in the interrupt status register (CCxIF bit in the TIMx_SR register).
3. Generates an interrupt if the corresponding interrupt mask is set (CCXIE bit in the TIMx_DIER register).

The TIMx_CCRx registers can be programmed with or without preload registers using the OCxPE bit in the TIMx_CCMRx register.

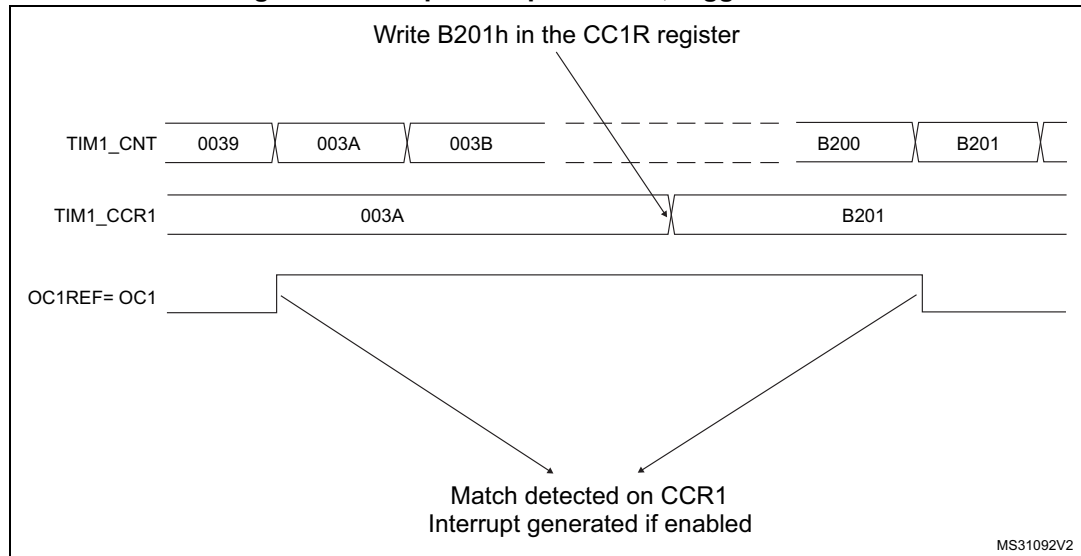
In output compare mode, the update event UEV has no effect on OCxREF and OCx output. The timing resolution is one count of the counter. Output compare mode can also be used to output a single pulse (in One-pulse mode).

Procedure:

1. Select the counter clock (internal, external, prescaler).
2. Write the desired data in the TIMx_ARR and TIMx_CCRx registers.
3. Set the CCxIE bit if an interrupt request is to be generated.
4. Select the output mode. For example:
 - Write OCxM = '011' to toggle OCx output pin when CNT matches CCRx
 - Write OCxPE = '0' to disable preload register
 - Write CCxP = '0' to select active high polarity
 - Write CCxE = '1' to enable the output
5. Enable the counter by setting the CEN bit in the TIMx_CR1 register.

The TIMx_CCRx register can be updated at any time by software to control the output waveform, provided that the preload register is not enabled (OCxPE='0', else TIMx_CCRx shadow register is updated only at the next update event UEV). An example is given in [Figure 176](#).

Figure 176. Output compare mode, toggle on OC1.



15.3.9 PWM mode

Pulse Width Modulation mode allows the user to generate a signal with a frequency determined by the value of the TIMx_ARR register and a duty cycle determined by the value of the TIMx_CCRx register.

The PWM mode can be selected independently on each channel (one PWM per OCx output) by writing '110' (PWM mode 1) or '111' (PWM mode 2) in the OCxM bits in the TIMx_CCMRx register. Enable the corresponding preload register by setting the OCxPE bit in the TIMx_CCMRx register, and eventually the auto-reload preload register by setting the ARPE bit in the TIMx_CR1 register.

As the preload registers are transferred to the shadow registers only when an update event occurs, before starting the counter, the user has to initialize all the registers by setting the UG bit in the TIMx_EGR register.

The OCx polarity is software programmable using the CCxP bit in the TIMx_CCER register. It can be programmed as active high or active low. The OCx output is enabled by the CCxE bit in the TIMx_CCER register. Refer to the TIMx_CCERx register description for more details.

In PWM mode (1 or 2), TIMx_CNT and TIMx_CCRx are always compared to determine whether $TIMx_CNT \leq TIMx_CCRx$.

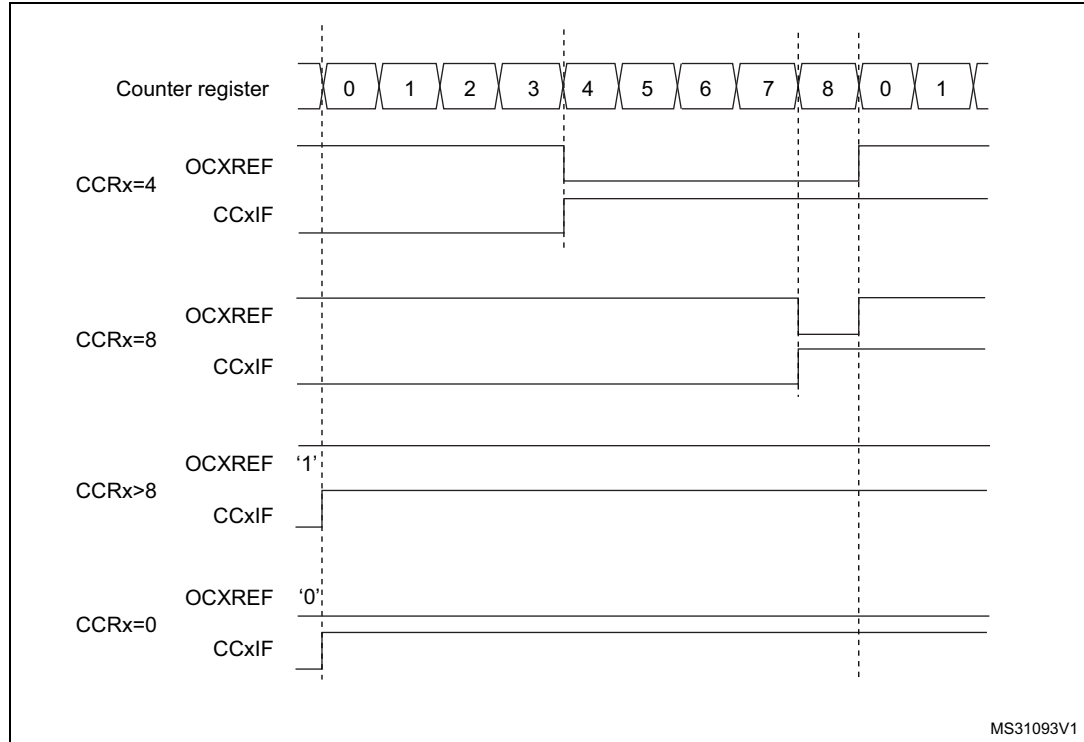
The timer is able to generate PWM in edge-aligned mode only since the counter is upcounting.

PWM edge-aligned mode

In the following example, we consider PWM mode 1. The reference PWM signal OCxREF is high as long as $TIMx_CNT < TIMx_CCRx$ else it becomes low. If the compare value in

TIMx_CCRx is greater than the auto-reload value (in TIMx_ARR) then OCxREF is held at '1'. If the compare value is 0 then OCxRef is held at '0'. Figure 177 shows some edge-aligned PWM waveforms in an example where TIMx_ARR=8.

Figure 177. Edge-aligned PWM waveforms (ARR=8)



MS31093V1

15.3.10 One-pulse mode

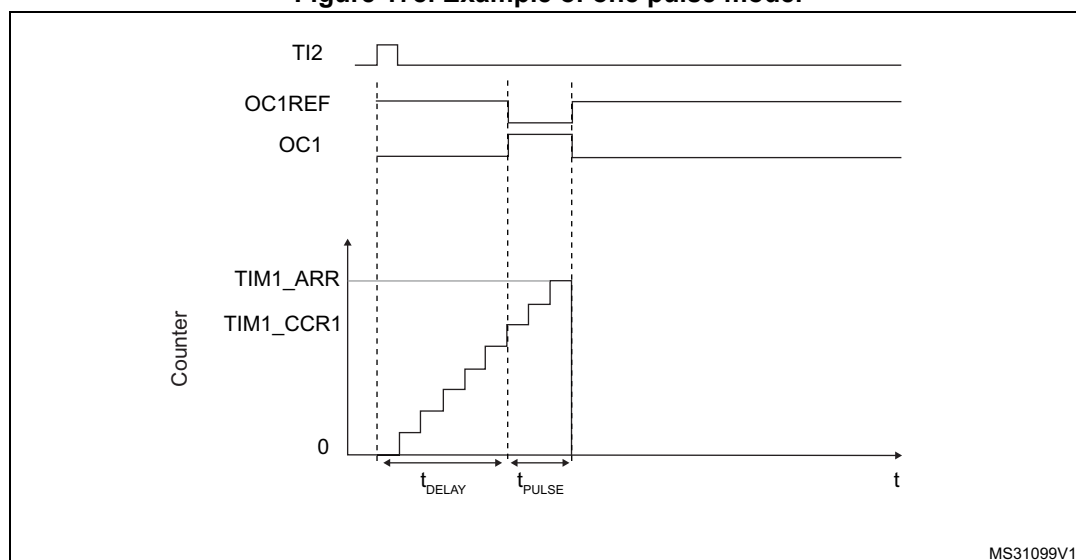
One-pulse mode (OPM) is a particular case of the previous modes. It allows the counter to be started in response to a stimulus and to generate a pulse with a programmable length after a programmable delay.

Starting the counter can be controlled through the slave mode controller. Generating the waveform can be done in output compare mode or PWM mode. Select One-pulse mode by setting the OPM bit in the TIMx_CR1 register. This makes the counter stop automatically at the next update event UEV.

A pulse can be correctly generated only if the compare value is different from the counter initial value. Before starting (when the timer is waiting for the trigger), the configuration must be as follows:

$$CNT < CCRx \leq ARR \text{ (in particular, } 0 < CCRx)$$

Figure 178. Example of one pulse mode.



For example the user may want to generate a positive pulse on OC1 with a length of t_{PULSE} and after a delay of t_{DELAY} as soon as a positive edge is detected on the TI2 input pin.

Use TI2FP2 as trigger 1:

1. Map TI2FP2 to TI2 by writing $CC2S='01'$ in the TIMx_CCMR1 register.
2. TI2FP2 must detect a rising edge, write $CC2P='0'$ and $CC2NP = '0'$ in the TIMx_CCER register.
3. Configure TI2FP2 as trigger for the slave mode controller (TRGI) by writing $TS='110'$ in the TIMx_SMCR register.
4. TI2FP2 is used to start the counter by writing SMS to '110' in the TIMx_SMCR register (trigger mode).

The OPM waveform is defined by writing the compare registers (taking into account the clock frequency and the counter prescaler).

- The t_{DELAY} is defined by the value written in the TIMx_CCR1 register.
- The t_{PULSE} is defined by the difference between the auto-reload value and the compare value (TIMx_ARR - TIMx_CCR1).
- Let us say the user wants to build a waveform with a transition from '0' to '1' when a compare match occurs and a transition from '1' to '0' when the counter reaches the auto-reload value. To do this enable PWM mode 2 by writing $OC1M='111'$ in the TIMx_CCMR1 register. The user can optionally enable the preload registers by writing $OC1PE='1'$ in the TIMx_CCMR1 register and ARPE in the TIMx_CR1 register. In this case the user has to write the compare value in the TIMx_CCR1 register, the auto-reload value in the TIMx_ARR register, generate an update by setting the UG bit and wait for external trigger event on TI2. $CC1P$ is written to '0' in this example.

The user only wants one pulse (Single mode), so write '1' in the OPM bit in the TIMx_CR1 register to stop the counter at the next update event (when the counter rolls over from the auto-reload value back to 0). When OPM bit in the TIMx_CR1 register is set to '0', so the Repetitive mode is selected.

Particular case: OCx fast enable

In One-pulse mode, the edge detection on Tix input set the CEN bit which enables the counter. Then the comparison between the counter and the compare value makes the output toggle. But several clock cycles are needed for these operations and it limits the minimum delay $t_{\text{DELAY min}}$ we can get.

If the user wants to output a waveform with the minimum delay, set the OCxFE bit in the TIMx_CCMRx register. Then OCxRef (and OCx) are forced in response to the stimulus, without taking in account the comparison. Its new level is the same as if a compare match had occurred. OCxFE acts only if the channel is configured in PWM1 or PWM2 mode.

15.3.11 TIM9/12 external trigger synchronization

The TIM9/12 timers can be synchronized with an external trigger in several modes: Reset mode, Gated mode and Trigger mode.

Slave mode: Reset mode

The counter and its prescaler can be reinitialized in response to an event on a trigger input. Moreover, if the URS bit from the TIMx_CR1 register is low, an update event UEV is generated. Then all the preloaded registers (TIMx_ARR, TIMx_CCRx) are updated.

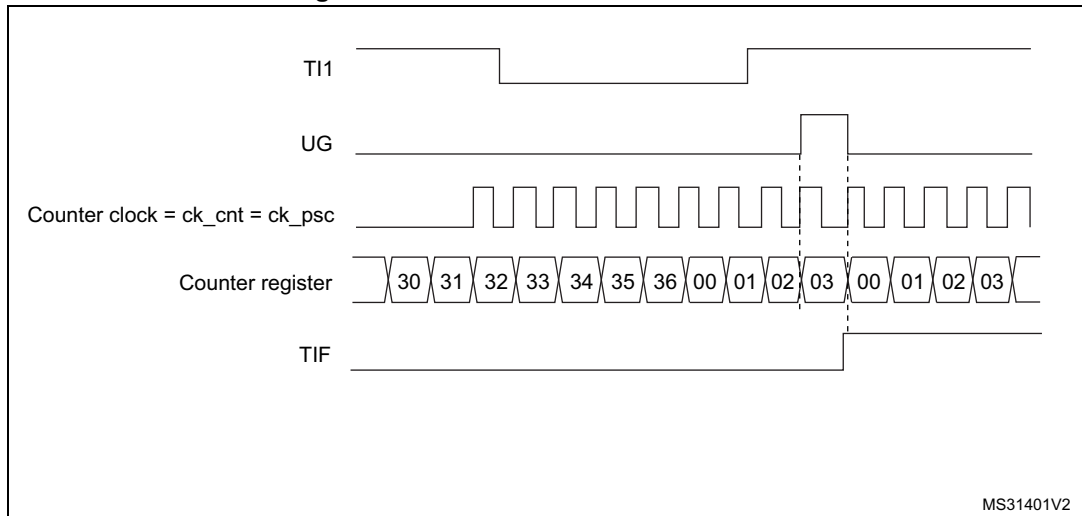
In the following example, the upcounter is cleared in response to a rising edge on TI1 input:

1. Configure the channel 1 to detect rising edges on TI1. Configure the input filter duration (in this example, no need of any filter, IC1F = 0000 kept). The capture prescaler is not used for triggering, so there's no need to configure it. The CC1S bits select the input capture source only, CC1S = '01' in the TIMx_CCMR1 register. Program CC1P and CC1NP to '00' in TIMx_CCER register to validate the polarity (and detect rising edges only).
2. Configure the timer in reset mode by writing SMS='100' in TIMx_SMCR register. Select TI1 as the input source by writing TS='101' in TIMx_SMCR register.
3. Start the counter by writing CEN='1' in the TIMx_CR1 register.

The counter starts counting on the internal clock, then behaves normally until TI1 rising edge. When TI1 rises, the counter is cleared and restarts from 0. In the meantime, the trigger flag is set (TIF bit in the TIMx_SR register) and an interrupt request can be sent if enabled (depending on the TIE bit in TIMx_DIER register).

The following figure shows this behavior when the auto-reload register TIMx_ARR=0x36. The delay between the rising edge on TI1 and the actual reset of the counter is due to the resynchronization circuit on TI1 input.

Figure 179. Control circuit in reset mode



Slave mode: Gated mode

The counter can be enabled depending on the level of a selected input.

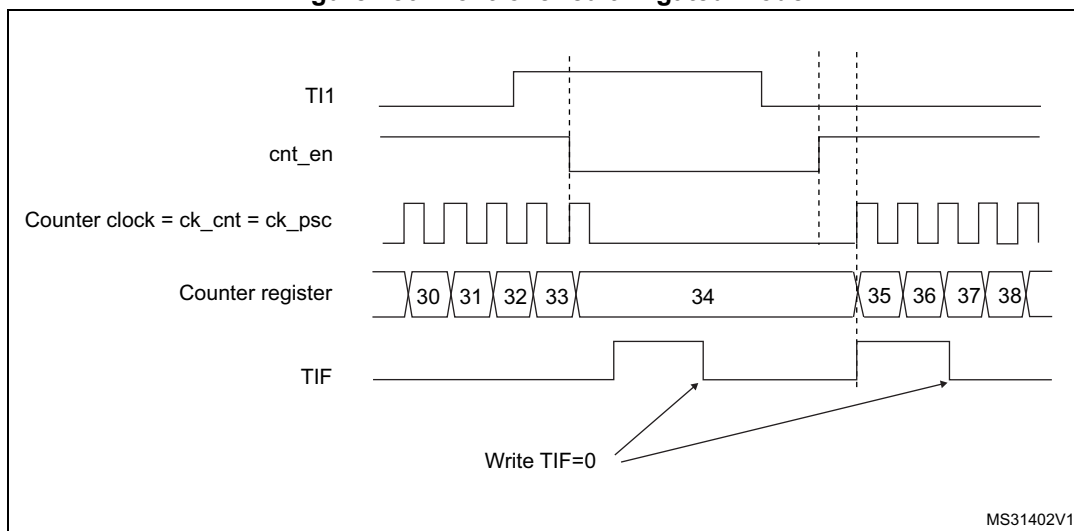
In the following example, the upcounter counts only when TI1 input is low:

1. Configure the channel 1 to detect low levels on TI1. Configure the input filter duration (in this example, no need of any filter, IC1F='0000' kept). The capture prescaler is not used for triggering, so there's no need to configure it. The CC1S bits select the input capture source only, CC1S='01' in TIMx_CCMR1 register. Program CC1P='1' and CC1NP= '0' in TIMx_CCER register to validate the polarity (and detect low level only).
2. Configure the timer in gated mode by writing SMS='101' in TIMx_SMCR register. Select TI1 as the input source by writing TS='101' in TIMx_SMCR register.
3. Enable the counter by writing CEN='1' in the TIMx_CR1 register (in gated mode, the counter does not start if CEN='0', whatever is the trigger input level).

The counter starts counting on the internal clock as long as TI1 is low and stops as soon as TI1 becomes high. The TIF flag in the TIMx_SR register is set both when the counter starts or stops.

The delay between the rising edge on TI1 and the actual stop of the counter is due to the resynchronization circuit on TI1 input.

Figure 180. Control circuit in gated mode



Slave mode: Trigger mode

The counter can start in response to an event on a selected input.

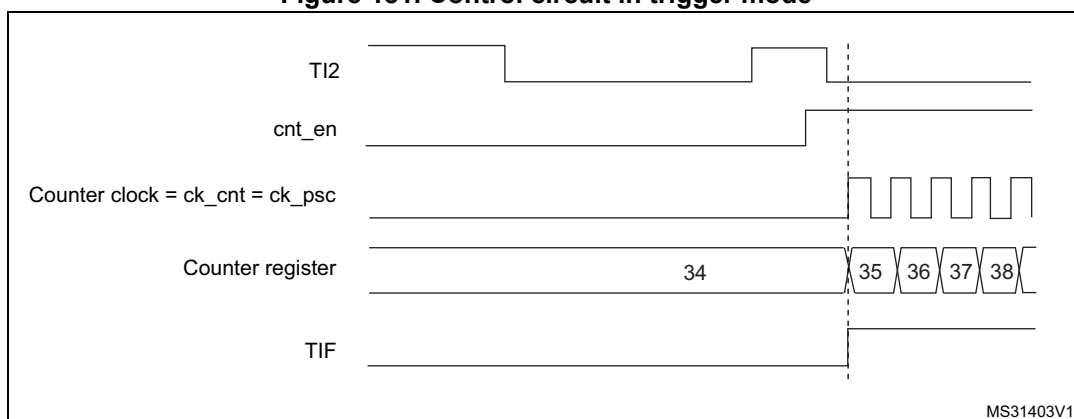
In the following example, the upcounter starts in response to a rising edge on TI2 input:

1. Configure the channel 2 to detect rising edges on TI2. Configure the input filter duration (in this example, no need of any filter, IC2F='0000' kept). The capture prescaler is not used for triggering, so there's no need to configure it. The CC2S bits are configured to select the input capture source only, CC2S='01' in TIMx_CCMR1 register. Program CC2P='1' and CC2NP='0' in TIMx_CCER register to validate the polarity (and detect low level only).
2. Configure the timer in trigger mode by writing SMS='110' in TIMx_SMCR register. Select TI2 as the input source by writing TS='110' in TIMx_SMCR register.

When a rising edge occurs on TI2, the counter starts counting on the internal clock and the TIF flag is set.

The delay between the rising edge on TI2 and the actual start of the counter is due to the resynchronization circuit on TI2 input.

Figure 181. Control circuit in trigger mode



15.3.12 Timer synchronization (TIM9/12)

The TIM timers are linked together internally for timer synchronization or chaining. Refer to [Section 14.3.15: Timer synchronization](#) for details.

Note: The clock of the slave timer must be enabled prior to receive events from the master timer, and must not be changed on-the-fly while triggers are received from the master timer.

15.3.13 Debug mode

When the microcontroller enters debug mode (Cortex[®]-M3 core halted), the TIMx counter either continues to work normally or stops, depending on DBG_TIMx_STOP configuration bit in DBG module. For more details, refer to [Section 32.16.2: Debug support for timers, watchdog, bxCAN and I²C](#).

15.4 TIM9 and TIM12 registers

Refer to [Section 2.2](#) for a list of abbreviations used in register descriptions.

The peripheral registers have to be written by half-words (16 bits) or words (32 bits). Read accesses can be done by bytes (8 bits), half-words (16 bits) or words (32 bits).

15.4.1 TIM9/12 control register 1 (TIMx_CR1)

Address offset: 0x00

Reset value: 0x0000

15	14	13	12	11	10	9	8	7	6	5	4	3	2	1	0	
Reserved						CKD[1:0]		ARPE	Reserved				OPM	URS	UDIS	CEN
						rw	rw	rw					rw	rw	rw	rw

Bits 15:10 Reserved, must be kept at reset value.

Bits 9:8 **CKD**: Clock division

This bit-field indicates the division ratio between the timer clock (CK_INT) frequency and sampling clock used by the digital filters (Tix),

00: $t_{DTS} = t_{CK_INT}$

01: $t_{DTS} = 2 \times t_{CK_INT}$

10: $t_{DTS} = 4 \times t_{CK_INT}$

11: Reserved

Bit 7 **ARPE**: Auto-reload preload enable

0: TIMx_ARR register is not buffered.

1: TIMx_ARR register is buffered.

Bits 6:4 Reserved, must be kept at reset value.

Bit 3 **OPM**: One-pulse mode

0: Counter is not stopped on the update event

1: Counter stops counting on the next update event (clearing the CEN bit).

Bit 2 **URS**: Update request source

This bit is set and cleared by software to select the UEV event sources.

0: Any of the following events generates an update interrupt if enabled:

- Counter overflow
- Setting the UG bit

1: Only counter overflow generates an update interrupt if enabled.

Bit 1 **UDIS**: Update disable

This bit is set and cleared by software to enable/disable update event (UEV) generation.

0: UEV enabled. An UEV is generated by one of the following events:

- Counter overflow
- Setting the UG bit

Buffered registers are then loaded with their preload values.

1: UEV disabled. No UEV is generated, shadow registers keep their value (ARR, PSC, CCRx). The counter and the prescaler are reinitialized if the UG bit is set.

Bit 0 **CEN**: Counter enable

0: Counter disabled

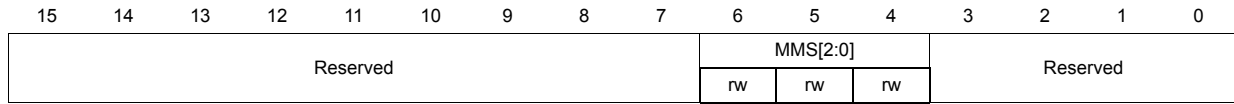
1: Counter enabled

CEN is cleared automatically in one-pulse mode, when an update event occurs.

15.4.2 TIM9/12 control register 2 (TIMx_CR2)

Address offset: 0x04

Reset value: 0x0000



Bits 15:7 Reserved, must be kept at reset value.

Bits 6:4 **MMS[2:0]**: Master mode selection

These bits are used to select the information to be sent in Master mode to slave timers for synchronization (TRGO). The combination is as follows:

000: **Reset** - the UG bit in the TIMx_EGR register is used as the trigger output (TRGO). If the reset is generated by the trigger input (slave mode controller configured in reset mode) then the signal on TRGO is delayed compared to the actual reset.

001: **Enable** - the Counter enable signal, CNT_EN, is used as the trigger output (TRGO). It is useful to start several timers at the same time or to control a window in which a slave timer is enabled. The Counter Enable signal is generated by a logic OR between the CEN control bit and the trigger input when configured in Gated mode.

When the Counter Enable signal is controlled by the trigger input, there is a delay on TRGO, except if the master/slave mode is selected (see the MSM bit description in the TIMx_SMCR register).

010: **Update** - The update event is selected as the trigger output (TRGO). For instance a master timer can be used as a prescaler for a slave timer.

011: **Compare pulse** - The trigger output sends a positive pulse when the CC1IF flag is to be set (even if it was already high), as soon as a capture or a compare match occurs. (TRGO).

100: **Compare** - OC1REF signal is used as the trigger output (TRGO).

101: **Compare** - OC2REF signal is used as the trigger output (TRGO).

110: Reserved

111: Reserved

Note: The clock of the slave timer and ADC must be enabled prior to receiving events from the master timer, and must not be changed on-the-fly while triggers are received from the master timer.

Bits 3:0 Reserved, must be kept at reset value.

15.4.3 TIM9/12 slave mode control register (TIMx_SMCR)

Address offset: 0x08

Reset value: 0x0000

15	14	13	12	11	10	9	8	7	6	5	4	3	2	1	0	
Reserved								MSM	TS[2:0]				Res.	SMS[2:0]		
								rw	rw	rw	rw	rw		rw	rw	

Bits 15:8 Reserved, must be kept at reset value.

Bit 7 **MSM**: Master/Slave mode

0: No action

1: The effect of an event on the trigger input (TRGI) is delayed to allow a perfect synchronization between the current timer and its slaves (through TRGO). It is useful in order to synchronize several timers on a single external event.

Bits 6:4 **TS**: Trigger selection

This bit field selects the trigger input to be used to synchronize the counter.

000: Internal Trigger 0 (ITR0)

001: Internal Trigger 1 (ITR1)

010: Internal Trigger 2 (ITR2)

011: Internal Trigger 3 (ITR3)

100: TI1 Edge Detector (TI1F_ED)

101: Filtered Timer Input 1 (TI1FP1)

110: Filtered Timer Input 2 (TI2FP2)

111: Reserved.

See [Table 63](#) for more details on the meaning of ITRx for each timer.

Note: These bits must be changed only when they are not used (e.g. when SMS='000') to avoid wrong edge detections at the transition.

Bit 3 Reserved, must be kept at reset value.

Bits 2:0 **SMS**: Slave mode selection

When external signals are selected, the active edge of the trigger signal (TRGI) is linked to the polarity selected on the external input (see Input control register and Control register descriptions).

000: Slave mode disabled - if CEN = 1 then the prescaler is clocked directly by the internal clock

001: Reserved

010: Reserved

011: Reserved

100: Reset mode - Rising edge of the selected trigger input (TRGI) reinitializes the counter and generates an update of the registers

101: Gated mode - The counter clock is enabled when the trigger input (TRGI) is high. The counter stops (but is not reset) as soon as the trigger becomes low. Counter starts and stops are both controlled

110: Trigger mode - The counter starts on a rising edge of the trigger TRGI (but it is not reset). Only the start of the counter is controlled

111: External clock mode 1 - Rising edges of the selected trigger (TRGI) clock the counter

Note: The Gated mode must not be used if T11F_ED is selected as the trigger input (TS='100'). Indeed, T11F_ED outputs 1 pulse for each transition on T11F, whereas the Gated mode checks the level of the trigger signal.

Note: The clock of the slave timer must be enabled prior to receive events from the master timer, and must not be changed on-the-fly while triggers are received from the master timer.

Table 63. TIMx internal trigger connection

Slave TIM	ITR0 (TS = 000)	ITR1 (TS = 001)	ITR2 (TS = 010)	ITR3 (TS = 011)
TIM9	TIM2_TRGO	TIM3_TRGO	TIM10_OC	TIM11_OC
TIM12	TIM4_TRGO	TIM5_TRGO	TIM13_OC	TIM14_OC

15.4.4 TIM9/12 Interrupt enable register (TIMx_DIER)

Address offset: 0x0C

Reset value: 0x0000

15	14	13	12	11	10	9	8	7	6	5	4	3	2	1	0
Reserved									TIE	Res			CC2IE	CC1IE	UIE
									rw				rw	rw	rw

Bits 15:7 Reserved, must be kept at reset value.

Bit 6 **TIE**: Trigger interrupt enable

0: Trigger interrupt disabled.

1: Trigger interrupt enabled.

Bit 5:3 Reserved, must be kept at reset value.

- Bit 2 **CC2IE**: Capture/Compare 2 interrupt enable
 - 0: CC2 interrupt disabled.
 - 1: CC2 interrupt enabled.
- Bit 1 **CC1IE**: Capture/Compare 1 interrupt enable
 - 0: CC1 interrupt disabled.
 - 1: CC1 interrupt enabled.
- Bit 0 **UIE**: Update interrupt enable
 - 0: Update interrupt disabled.
 - 1: Update interrupt enabled.

15.4.5 TIM9/12 status register (TIMx_SR)

Address offset: 0x10

Reset value: 0x0000

15	14	13	12	11	10	9	8	7	6	5	4	3	2	1	0	
Reserved					CC2OF	CC1OF	Reserved			TIF	Reserved			CC2IF	CC1IF	UIF
					rc_w0	rc_w0				rc_w0				rc_w0	rc_w0	rc_w0

Bits 15:11 Reserved, must be kept at reset value.

Bit 10 **CC2OF**: Capture/compare 2 overcapture flag
refer to CC1OF description

Bit 9 **CC1OF**: Capture/Compare 1 overcapture flag
This flag is set by hardware only when the corresponding channel is configured in input capture mode. It is cleared by software by writing it to '0'.
0: No overcapture has been detected.
1: The counter value has been captured in TIMx_CCR1 register while CC1IF flag was already set

Bits 8:7 Reserved, must be kept at reset value.

Bit 6 **TIF**: Trigger interrupt flag
This flag is set by hardware on trigger event (active edge detected on TRGI input when the slave mode controller is enabled in all modes but gated mode. It is set when the counter starts or stops when gated mode is selected. It is cleared by software.
0: No trigger event occurred.
1: Trigger interrupt pending.

Bits 5:3 Reserved, must be kept at reset value.

Bit 2 **CC2IF**: Capture/Compare 2 interrupt flag
refer to CC1IF description

Bit 1 **CC1IF**: Capture/compare 1 interrupt flag
If channel CC1 is configured as output:
This flag is set by hardware when the counter matches the compare value. It is cleared by software.
0: No match.
1: The content of the counter TIMx_CNT matches the content of the TIMx_CCR1 register. When the contents of TIMx_CCR1 are greater than the contents of TIMx_ARR, the CC1IF bit goes high on the counter overflow.
If channel CC1 is configured as input:
This bit is set by hardware on a capture. It is cleared by software or by reading the TIMx_CCR1 register.
0: No input capture occurred.
1: The counter value has been captured in TIMx_CCR1 register (an edge has been detected on IC1 which matches the selected polarity).

- Bit 0 **UIF**: Update interrupt flag
 - This bit is set by hardware on an update event. It is cleared by software.
 - 0: No update occurred.
 - 1: Update interrupt pending. This bit is set by hardware when the registers are updated:
 - At overflow and if UDIS='0' in the TIMx_CR1 register.
 - When CNT is reinitialized by software using the UG bit in TIMx_EGR register, if URS='0' and UDIS='0' in the TIMx_CR1 register.
 - When CNT is reinitialized by a trigger event (refer to the synchro control register description), if URS='0' and UDIS='0' in the TIMx_CR1 register.

15.4.6 TIM9/12 event generation register (TIMx_EGR)

Address offset: 0x14

Reset value: 0x0000

15	14	13	12	11	10	9	8	7	6	5	4	3	2	1	0
Reserved									TG	Reserved			CC2G	CC1G	UG
Reserved									w	Reserved			w	w	w

Bits 15:7 Reserved, must be kept at reset value.

- Bit 6 **TG**: Trigger generation
 - This bit is set by software in order to generate an event, it is automatically cleared by hardware.
 - 0: No action
 - 1: The TIF flag is set in the TIMx_SR register. Related interrupt can occur if enabled

Bits 5:3 Reserved, must be kept at reset value.

- Bit 2 **CC2G**: Capture/compare 2 generation
 - refer to CC1G description
- Bit 1 **CC1G**: Capture/compare 1 generation
 - This bit is set by software to generate an event, it is automatically cleared by hardware.
 - 0: No action
 - 1: A capture/compare event is generated on channel 1:
 - If channel CC1 is configured as output:**
the CC1IF flag is set, the corresponding interrupt is sent if enabled.
 - If channel CC1 is configured as input:**
The current counter value is captured in the TIMx_CCR1 register. The CC1IF flag is set, the corresponding interrupt is sent if enabled. The CC1OF flag is set if the CC1IF flag was already high.

- Bit 0 **UG**: Update generation
 - This bit can be set by software, it is automatically cleared by hardware.
 - 0: No action
 - 1: Re-initializes the counter and generates an update of the registers. The prescaler counter is also cleared and the prescaler ratio is not affected. The counter is cleared.

15.4.7 TIM9/12 capture/compare mode register 1 (TIMx_CCMR1)

Address offset: 0x18

Reset value: 0x0000

The channels can be used in input (capture mode) or in output (compare mode). The direction of a channel is defined by configuring the corresponding CCxS bits. All the other bits in this register have different functions in input and output modes. For a given bit, OCxx describes its function when the channel is configured in output mode, ICxx describes its function when the channel is configured in input mode. Take care that the same bit can have different meanings for the input stage and the output stage.

15	14	13	12	11	10	9	8	7	6	5	4	3	2	1	0
Res.	OC2M[2:0]			OC2PE	OC2FE	CC2S[1:0]		Res.	OC1M[2:0]			OC1PE	OC1FE	CC1S[1:0]	
IC2F[3:0]				IC2PSC[1:0]				IC1F[3:0]				IC1PSC[1:0]			
r/w	r/w	r/w	r/w	r/w	r/w	r/w	r/w	r/w	r/w	r/w	r/w	r/w	r/w	r/w	r/w

Output compare mode

Bit 15 Reserved, must be kept at reset value.

Bits 14:12 **OC2M[2:0]**: Output compare 2 mode

Bit 11 **OC2PE**: Output compare 2 preload enable

Bit 10 **OC2FE**: Output compare 2 fast enable

Bits 9:8 **CC2S[1:0]**: Capture/Compare 2 selection

This bitfield defines the direction of the channel (input/output) as well as the used input.

00: CC2 channel is configured as output

01: CC2 channel is configured as input, IC2 is mapped on TI2

10: CC2 channel is configured as input, IC2 is mapped on TI1

11: CC2 channel is configured as input, IC2 is mapped on TRC. This mode works only if an internal trigger input is selected through the TS bit (TIMx_SMCR register)

Note: The CC2S bits are writable only when the channel is OFF (CC2E = 0 in TIMx_CCER).

Bit 7 Reserved, must be kept at reset value.

Bits 6:4 **OC1M**: Output compare 1 mode

These bits define the behavior of the output reference signal OC1REF from which OC1 and OC1N are derived. OC1REF is active high whereas the active levels of OC1 and OC1N depend on the CC1P and CC1NP bits, respectively.

000: Frozen - The comparison between the output compare register TIMx_CCR1 and the counter TIMx_CNT has no effect on the outputs.(this mode is used to generate a timing base).

001: Set channel 1 to active level on match. The OC1REF signal is forced high when the TIMx_CNT counter matches the capture/compare register 1 (TIMx_CCR1).

010: Set channel 1 to inactive level on match. The OC1REF signal is forced low when the TIMx_CNT counter matches the capture/compare register 1 (TIMx_CCR1).

011: Toggle - OC1REF toggles when TIMx_CNT=TIMx_CCR1

100: Force inactive level - OC1REF is forced low

101: Force active level - OC1REF is forced high

110: PWM mode 1 - In upcounting, channel 1 is active as long as TIMx_CNT<TIMx_CCR1 else it is inactive. In downcounting, channel 1 is inactive (OC1REF=0) as long as TIMx_CNT>TIMx_CCR1, else it is active (OC1REF=1')

111: PWM mode 2 - In upcounting, channel 1 is inactive as long as TIMx_CNT<TIMx_CCR1 else it is active. In downcounting, channel 1 is active as long as TIMx_CNT>TIMx_CCR1 else it is inactive.

Note: In PWM mode 1 or 2, the OCREF level changes only when the result of the comparison changes or when the output compare mode switches from "frozen" mode to "PWM" mode.

Bit 3 **OC1PE**: Output compare 1 preload enable

0: Preload register on TIMx_CCR1 disabled. TIMx_CCR1 can be written at anytime, the new value is taken into account immediately

1: Preload register on TIMx_CCR1 enabled. Read/Write operations access the preload register. TIMx_CCR1 preload value is loaded into the active register at each update event

Bit 2 **OC1FE**: Output compare 1 fast enable

This bit is used to accelerate the effect of an event on the trigger in input on the CC output.
0: CC1 behaves normally depending on the counter and CCR1 values even when the trigger is ON. The minimum delay to activate the CC1 output when an edge occurs on the trigger input is 5 clock cycles

1: An active edge on the trigger input acts like a compare match on the CC1 output. Then, OC is set to the compare level independently of the result of the comparison. Delay to sample the trigger input and to activate CC1 output is reduced to 3 clock cycles. OC1FE acts only if the channel is configured in PWM1 or PWM2 mode.

Bits 1:0 **CC1S**: Capture/Compare 1 selection

This bitfield defines the direction of the channel (input/output) as well as the used input.

00: CC1 channel is configured as output

01: CC1 channel is configured as input, IC1 is mapped on TI1

10: CC1 channel is configured as input, IC1 is mapped on TI2

11: CC1 channel is configured as input, IC1 is mapped on TRC. This mode works only if an internal trigger input is selected through the TS bit (TIMx_SMCR register)

Note: The CC1S bits are writable only when the channel is OFF (CC1E = 0 in TIMx_CCER).

Input capture mode

Bits 15:12 **IC2F**: Input capture 2 filter

Bits 11:10 **IC2PSC[1:0]**: Input capture 2 prescaler

Bits 9:8 **CC2S**: Capture/compare 2 selection

This bitfield defines the direction of the channel (input/output) as well as the used input.

00: CC2 channel is configured as output

01: CC2 channel is configured as input, IC2 is mapped on TI2

10: CC2 channel is configured as input, IC2 is mapped on TI1

11: CC2 channel is configured as input, IC2 is mapped on TRC. This mode works only if an internal trigger input is selected through the TS bit (TIMx_SMCR register)

Note: The CC2S bits are writable only when the channel is OFF (CC2E = 0 in TIMx_CCER).

Bits 7:4 **IC1F**: Input capture 1 filter

This bitfield defines the frequency used to sample the TI1 input and the length of the digital filter applied to TI1. The digital filter is made of an event counter in which N consecutive events are needed to validate a transition on the output:

0000: No filter, sampling is done at f_{DTS}

0001: $f_{SAMPLING}=f_{CK_INT}$, N=2

0010: $f_{SAMPLING}=f_{CK_INT}$, N=4

0011: $f_{SAMPLING}=f_{CK_INT}$, N=8

0100: $f_{SAMPLING}=f_{DTS}/2$, N=6

0101: $f_{SAMPLING}=f_{DTS}/2$, N=8

0110: $f_{SAMPLING}=f_{DTS}/4$, N=6

0111: $f_{SAMPLING}=f_{DTS}/4$, N=8

1000: $f_{SAMPLING}=f_{DTS}/8$, N=6

1001: $f_{SAMPLING}=f_{DTS}/8$, N=8

1010: $f_{SAMPLING}=f_{DTS}/16$, N=5

1011: $f_{SAMPLING}=f_{DTS}/16$, N=6

1100: $f_{SAMPLING}=f_{DTS}/16$, N=8

1101: $f_{SAMPLING}=f_{DTS}/32$, N=5

1110: $f_{SAMPLING}=f_{DTS}/32$, N=6

1111: $f_{SAMPLING}=f_{DTS}/32$, N=8

Bits 3:2 **IC1PSC**: Input capture 1 prescaler

This bitfield defines the ratio of the prescaler acting on the CC1 input (IC1).

The prescaler is reset as soon as CC1E='0' (TIMx_CCER register).

00: no prescaler, capture is done each time an edge is detected on the capture input

01: capture is done once every 2 events

10: capture is done once every 4 events

11: capture is done once every 8 events

Bits 1:0 **CC1S**: Capture/Compare 1 selection

This bitfield defines the direction of the channel (input/output) as well as the used input.

00: CC1 channel is configured as output

01: CC1 channel is configured as input, IC1 is mapped on TI1

10: CC1 channel is configured as input, IC1 is mapped on TI2

11: CC1 channel is configured as input, IC1 is mapped on TRC. This mode is working only if an internal trigger input is selected through TS bit (TIMx_SMCR register)

Note: The CC1S bits are writable only when the channel is OFF (CC1E = 0 in TIMx_CCER).

15.4.8 TIM9/12 capture/compare enable register (TIMx_CCER)

Address offset: 0x20

Reset value: 0x0000

15	14	13	12	11	10	9	8	7	6	5	4	3	2	1	0
Reserved								CC2NP	Res.	CC2P	CC2E	CC1NP	Res.	CC1P	CC1E
								rw		rw	rw	rw		rw	rw

Bits 15:8 Reserved, must be kept at reset value.

Bit 7 **CC2NP**: Capture/Compare 2 output Polarity
refer to CC1NP description

Bits 6 Reserved, must be kept at reset value.

Bit 5 **CC2P**: Capture/Compare 2 output Polarity
refer to CC1P description

Bit 4 **CC2E**: Capture/Compare 2 output enable
refer to CC1E description

Bit 3 **CC1NP**: Capture/Compare 1 complementary output Polarity
CC1 channel configured as output: CC1NP must be kept cleared
CC1 channel configured as input: CC1NP is used in conjunction with CC1P to define
TI1FP1/TI2FP1 polarity (refer to CC1P description).

Bit 2 Reserved, must be kept at reset value.

Bit 1 **CC1P**: Capture/Compare 1 output Polarity.

CC1 channel configured as output:

0: OC1 active high.

1: OC1 active low.

CC1 channel configured as input:

CC1NP/CC1P bits select TI1FP1 and TI2FP1 polarity for trigger or capture operations.

00: noninverted/rising edge

Circuit is sensitive to TIxFP1 rising edge (capture, trigger in reset, external clock or trigger mode), TIxFP1 is not inverted (trigger in gated mode, encoder mode).

01: inverted/falling edge

Circuit is sensitive to TIxFP1 falling edge (capture, trigger in reset, external clock or trigger mode), TIxFP1 is inverted (trigger in gated mode, encoder mode).

10: reserved, do not use this configuration.

Note: 11: noninverted/both edges

Circuit is sensitive to both TIxFP1 rising and falling edges (capture, trigger in reset, external clock or trigger mode), TIxFP1 is not inverted (trigger in gated mode). This configuration must not be used for encoder mode.

Bit 0 **CC1E**: Capture/Compare 1 output enable.

CC1 channel configured as output:

0: Off - OC1 is not active.

1: On - OC1 signal is output on the corresponding output pin.

CC1 channel configured as input:

This bit determines if a capture of the counter value can actually be done into the input capture/compare register 1 (TIMx_CCR1) or not.

0: Capture disabled.

1: Capture enabled.

Table 64. Output control bit for standard OCx channels

CCxE bit	OCx output state
0	Output disabled (OCx='0', OCx_EN='0')
1	OCx=OCxREF + Polarity, OCx_EN='1'

Note: The states of the external I/O pins connected to the standard OCx channels depend on the state of the OCx channel and on the GPIO registers.

15.4.9 TIM9/12 counter (TIMx_CNT)

Address offset: 0x24

Reset value: 0x0000

15	14	13	12	11	10	9	8	7	6	5	4	3	2	1	0
CNT[15:0]															
rw	rw	rw	rw	rw	rw	rw	rw	rw	rw	rw	rw	rw	rw	rw	rw

Bits 15:0 **CNT[15:0]**: Counter value

15.4.10 TIM9/12 prescaler (TIMx_PSC)

Address offset: 0x28

Reset value: 0x0000

15	14	13	12	11	10	9	8	7	6	5	4	3	2	1	0
PSC[15:0]															
rw	rw	rw	rw	rw	rw	rw	rw	rw	rw	rw	rw	rw	rw	rw	rw

Bits 15:0 **PSC[15:0]**: Prescaler value

The counter clock frequency CK_CNT is equal to $f_{CK_PSC} / (PSC[15:0] + 1)$.
 PSC contains the value to be loaded in the active prescaler register at each update event (including when the counter is cleared through UG bit of TIMx_EGR register or through trigger controller when configured in "reset mode").

15.4.11 TIM9/12 auto-reload register (TIMx_ARR)

Address offset: 0x2C

Reset value: 0xFFFF

15	14	13	12	11	10	9	8	7	6	5	4	3	2	1	0
ARR[15:0]															
rw	rw	rw	rw	rw	rw	rw	rw	rw	rw	rw	rw	rw	rw	rw	rw

Bits 15:0 **ARR[15:0]**: Auto-reload value

ARR is the value to be loaded into the actual auto-reload register.
 Refer to the [Section 15.3.1: Time-base unit](#) for more details about ARR update and behavior.
 The counter is blocked while the auto-reload value is null.

15.4.12 TIM9/12 capture/compare register 1 (TIMx_CCR1)

Address offset: 0x34

Reset value: 0x0000

15	14	13	12	11	10	9	8	7	6	5	4	3	2	1	0
CCR1[15:0]															
rw/ro	rw/ro	rw/ro	rw/ro	rw/ro	rw/ro	rw/ro	rw/ro	rw/ro	rw/ro	rw/ro	rw/ro	rw/ro	rw/ro	rw/ro	rw/ro

Bits 15:0 **CCR1[15:0]**: Capture/Compare 1 value

If channel CC1 is configured as output:

CCR1 is the value to be loaded into the actual capture/compare 1 register (preload value). It is loaded permanently if the preload feature is not selected in the TIMx_CCMR1 register (OC1PE bit). Else the preload value is copied into the active capture/compare 1 register when an update event occurs.

The active capture/compare register contains the value to be compared to the TIMx_CNT counter and signaled on the OC1 output.

If channel CC1 is configured as input:

CCR1 is the counter value transferred by the last input capture 1 event (IC1). The TIMx_CCR1 register is read-only and cannot be programmed.

15.4.13 TIM9/12 capture/compare register 2 (TIMx_CCR2)

Address offset: 0x38

Reset value: 0x0000

15	14	13	12	11	10	9	8	7	6	5	4	3	2	1	0
CCR2[15:0]															
rw/ro	rw/ro	rw/ro	rw/ro	rw/ro	rw/ro	rw/ro	rw/ro	rw/ro	rw/ro	rw/ro	rw/ro	rw/ro	rw/ro	rw/ro	rw/ro

Bits 15:0 **CCR2[15:0]**: Capture/Compare 2 value

If channel CC2 is configured as output:

CCR2 is the value to be loaded into the actual capture/compare 2 register (preload value). It is loaded permanently if the preload feature is not selected in the TIMx_CCMR2 register (OC2PE bit). Else the preload value is copied into the active capture/compare 2 register when an update event occurs.

The active capture/compare register contains the value to be compared to the TIMx_CNT counter and signaled on the OC2 output.

If channel CC2 is configured as input:

CCR2 is the counter value transferred by the last input capture 2 event (IC2). The TIMx_CCR2 register is read-only and cannot be programmed.

15.4.14 TIM9/12 register map

TIM9/12 registers are mapped as 16-bit addressable registers as described below. The reserved memory areas are highlighted in gray in the table.

Table 65. TIM9/12 register map and reset values

Offset	Register	31	30	29	28	27	26	25	24	23	22	21	20	19	18	17	16	15	14	13	12	11	10	9	8	7	6	5	4	3	2	1	0																					
0x00	TIMx_CR1 Reset value	Reserved																						CKD [1:0]	ARPE	Reserved			OPM	URS	UDIS	CEN	0	0	0	0	0	0	0	0	0	0	0	0	0	0	0	0	0	0	0	0	0	
0x04	TIMx_CR2 Reset value	Reserved																						MMS[2:0]			Reserved			0	0	0	0	0	0	0	0	0	0	0	0	0	0	0	0	0	0	0	0	0	0	0		
0x08	TIMx_SMCR Reset value	Reserved																						MSM	TS[2:0]			Reserved			SMS[2:0]			0	0	0	0	0	0	0	0	0	0	0	0	0	0	0	0	0	0			
0x0C	TIMx_DIER Reset value	Reserved																						TIE	Reserved			CC2IE			CC1IE			UIE	0	0	0	0	0	0	0	0	0	0	0	0	0	0	0	0	0	0		
0x10	TIMx_SR Reset value	Reserved																						CC2OF	CC1OF	Reserved			TIF	Reserved			CC2IF			CC1IF			UIF	0	0	0	0	0	0	0	0	0	0	0	0	0	0	
0x14	TIMx_EGR Reset value	Reserved																						TG	Reserved			CC2G			CC1G			UG	0	0	0	0	0	0	0	0	0	0	0	0	0	0	0	0	0	0	0	
0x18	TIMx_CCMR1 Output compare mode Reset value	Reserved												OC2M [2:0]			OC2PE	OC2FE	CC2S [1:0]			Reserved	OC1M [2:0]			OC1PE	OC1FE	CC1S [1:0]			0	0	0	0	0	0	0	0	0															
	TIMx_CCMR1 Input capture mode Reset value	Reserved												IC2F[3:0]			IC2PSC [1:0]	CC2S [1:0]			IC1F[3:0]			IC1PSC [1:0]	CC1S [1:0]			0	0	0	0	0	0	0	0	0	0	0	0	0	0													
0x1C	Reserved																																																					
0x20	TIMx_CCER Reset value	Reserved																						CC2NP	Reserved	CC2P	CC2E	CC1NP	Reserved	CC1P	CC1E	0	0	0	0	0	0	0	0	0	0	0	0	0	0	0	0	0	0	0	0	0	0	0
0x24	TIMx_CNT Reset value	Reserved												CNT[15:0]																				0	0	0	0	0	0	0	0	0	0	0	0	0	0	0	0	0	0	0		
0x28	TIMx_PSC Reset value	Reserved												PSC[15:0]																				0	0	0	0	0	0	0	0	0	0	0	0	0	0	0	0	0	0	0	0	
0x2C	TIMx_ARR Reset value	Reserved												ARR[15:0]																				0	0	0	0	0	0	0	0	0	0	0	0	0	0	0	0	0	0	0	0	
0x30	Reserved																																																					

Table 65. TIM9/12 register map and reset values (continued)

Offset	Register	31	30	29	28	27	26	25	24	23	22	21	20	19	18	17	16	15	14	13	12	11	10	9	8	7	6	5	4	3	2	1	0																
0x34	TIMx_CCR1	Reserved																CCR1[15:0]																															
	Reset value																	0	0	0	0	0	0	0	0	0	0	0	0	0	0	0	0	0	0	0	0	0	0	0	0	0	0	0	0	0	0	0	0
0x38	TIMx_CCR2	Reserved																CCR2[15:0]																															
	Reset value																	0	0	0	0	0	0	0	0	0	0	0	0	0	0	0	0	0	0	0	0	0	0	0	0	0	0	0	0	0	0	0	0
0x3C to 0x4C	Reserved																																																

Refer to [Section 3.3: Memory map](#) for the register boundary addresses.

15.5 TIM10/11/13/14 registers

The peripheral registers have to be written by half-words (16 bits) or words (32 bits). Read accesses can be done by bytes (8 bits), half-words (16 bits) or words (32 bits).

15.5.1 TIM10/11/13/14 control register 1 (TIMx_CR1)

Address offset: 0x00

Reset value: 0x0000

15	14	13	12	11	10	9	8	7	6	5	4	3	2	1	0	
Reserved						CKD[1:0]		ARPE	Reserved				OPM	URS	UDIS	CEN
						rw	rw	rw					rw	rw	rw	rw

Bits 15:10 Reserved, must be kept at reset value.

Bits 9:8 **CKD**: Clock division

This bit-field indicates the division ratio between the timer clock (CK_INT) frequency and sampling clock used by the digital filters (TIx),

- 00: $t_{DTS} = t_{CK_INT}$
- 01: $t_{DTS} = 2 \times t_{CK_INT}$
- 10: $t_{DTS} = 4 \times t_{CK_INT}$
- 11: Reserved

Bit 7 **ARPE**: Auto-reload preload enable

- 0: TIMx_ARR register is not buffered
- 1: TIMx_ARR register is buffered

Bits 6:4 Reserved, must be kept at reset value.

Bit 3 **OPM**: One-pulse mode

- 0: Counter is not stopped on the update event
- 1: Counter stops counting on the next update event (clearing the CEN bit).

Bit 2 **URS**: Update request source

This bit is set and cleared by software to select the update interrupt (UEV) sources.

- 0: Any of the following events generate an UEV if enabled:
 - Counter overflow
 - Setting the UG bit
- 1: Only counter overflow generates an UEV if enabled.

Bit 1 **UDIS**: Update disable

This bit is set and cleared by software to enable/disable update interrupt (UEV) event generation.

- 0: UEV enabled. An UEV is generated by one of the following events:
 - Counter overflow
 - Setting the UG bit.

Buffered registers are then loaded with their preload values.

- 1: UEV disabled. No UEV is generated, shadow registers keep their value (ARR, PSC, CCRx). The counter and the prescaler are reinitialized if the UG bit is set.

Bit 0 **CEN**: Counter enable

- 0: Counter disabled
- 1: Counter enabled

15.5.2 TIM10/11/13/14 Interrupt enable register (TIMx_DIER)

Address offset: 0x0C

Reset value: 0x0000

15	14	13	12	11	10	9	8	7	6	5	4	3	2	1	0
Reserved														CC1IE	UIE
														rw	rw

Bits 15:2 Reserved, must be kept at reset value.

Bit 1 **CC1IE**: Capture/Compare 1 interrupt enable

0: CC1 interrupt disabled

1: CC1 interrupt enabled

Bit 0 **UIE**: Update interrupt enable

0: Update interrupt disabled

1: Update interrupt enabled

15.5.3 TIM10/11/13/14 status register (TIMx_SR)

Address offset: 0x10

Reset value: 0x0000

15	14	13	12	11	10	9	8	7	6	5	4	3	2	1	0
Reserved						CC1OF	Reserved							CC1IF	UIF
						rc_w0								rc_w0	rc_w0

Bits 15:10 Reserved, must be kept at reset value.

Bit 9 **CC1OF**: Capture/Compare 1 overcapture flag

This flag is set by hardware only when the corresponding channel is configured in input capture mode. It is cleared by software by writing it to '0'.

0: No overcapture has been detected.

1: The counter value has been captured in TIMx_CCR1 register while CC1IF flag was already set

Bits 8:2 Reserved, must be kept at reset value.

Bit 1 **CC1IF**: Capture/compare 1 interrupt flag

If channel CC1 is configured as output:

This flag is set by hardware when the counter matches the compare value. It is cleared by software.

0: No match.

1: The content of the counter TIMx_CNT matches the content of the TIMx_CCR1 register.

When the contents of TIMx_CCR1 are greater than the contents of TIMx_ARR, the CC1IF bit goes high on the counter overflow.

If channel CC1 is configured as input:

This bit is set by hardware on a capture. It is cleared by software or by reading the TIMx_CCR1 register.

0: No input capture occurred.

1: The counter value has been captured in TIMx_CCR1 register (an edge has been detected on IC1 which matches the selected polarity).

Bit 0 **UIF**: Update interrupt flag

This bit is set by hardware on an update event. It is cleared by software.

0: No update occurred.

1: Update interrupt pending. This bit is set by hardware when the registers are updated:

- At overflow and if UDIS='0' in the TIMx_CR1 register.
- When CNT is reinitialized by software using the UG bit in TIMx_EGR register, if URS='0' and UDIS='0' in the TIMx_CR1 register.

15.5.4 TIM10/11/13/14 event generation register (TIMx_EGR)

Address offset: 0x14

Reset value: 0x0000

15	14	13	12	11	10	9	8	7	6	5	4	3	2	1	0
Reserved													CC1G	UG	
													w	w	

Bits 15:2 Reserved, must be kept at reset value.

Bit 1 **CC1G**: Capture/compare 1 generation

This bit is set by software in order to generate an event, it is automatically cleared by hardware.

0: No action

1: A capture/compare event is generated on channel 1:

If channel CC1 is configured as output:

CC1IF flag is set, Corresponding interrupt or is sent if enabled.

If channel CC1 is configured as input:

The current value of the counter is captured in TIMx_CCR1 register. The CC1IF flag is set, the corresponding interrupt is sent if enabled. The CC1OF flag is set if the CC1IF flag was already high.

Bit 0 **UG**: Update generation

This bit can be set by software, it is automatically cleared by hardware.

0: No action

1: Re-initialize the counter and generates an update of the registers. Note that the prescaler counter is cleared too (anyway the prescaler ratio is not affected). The counter is cleared.

15.5.5 TIM10/11/13/14 capture/compare mode register 1 (TIMx_CCMR1)

Address offset: 0x18

Reset value: 0x0000

The channels can be used in input (capture mode) or in output (compare mode). The direction of a channel is defined by configuring the corresponding CCxS bits. All the other bits of this register have a different function in input and in output mode. For a given bit, OCxx describes its function when the channel is configured in output, ICxx describes its function when the channel is configured in input. So take care that the same bit can have a different meaning for the input stage and for the output stage.

15	14	13	12	11	10	9	8	7	6	5	4	3	2	1	0	
Reserved								OC1M[2:0]				OC1PE	OC1FE	CC1S[1:0]		
Reserved								IC1F[3:0]				IC1PSC[1:0]				
								r/w	r/w	r/w	r/w	r/w	r/w	r/w	r/w	r/w



Output compare mode

Bits 15:7 Reserved, must be kept at reset value.

Bits 6:4 **OC1M**: Output compare 1 mode

These bits define the behavior of the output reference signal OC1REF from which OC1 is derived. OC1REF is active high whereas OC1 active level depends on CC1P bit.

000: Frozen. The comparison between the output compare register TIMx_CCR1 and the counter TIMx_CNT has no effect on the outputs.

001: Set channel 1 to active level on match. OC1REF signal is forced high when the counter TIMx_CNT matches the capture/compare register 1 (TIMx_CCR1).

010: Set channel 1 to inactive level on match. OC1REF signal is forced low when the counter TIMx_CNT matches the capture/compare register 1 (TIMx_CCR1).

011: Toggle - OC1REF toggles when TIMx_CNT = TIMx_CCR1.

100: Force inactive level - OC1REF is forced low.

101: Force active level - OC1REF is forced high.

110: PWM mode 1 - Channel 1 is active as long as TIMx_CNT < TIMx_CCR1 else inactive.

111: PWM mode 2 - Channel 1 is inactive as long as TIMx_CNT < TIMx_CCR1 else active.

Note: In PWM mode 1 or 2, the OCREF level changes when the result of the comparison changes or when the output compare mode switches from frozen to PWM mode.

Bit 3 **OC1PE**: Output compare 1 preload enable

0: Preload register on TIMx_CCR1 disabled. TIMx_CCR1 can be written at anytime, the new value is taken in account immediately.

1: Preload register on TIMx_CCR1 enabled. Read/Write operations access the preload register. TIMx_CCR1 preload value is loaded in the active register at each update event.

Bit 2 **OC1FE**: Output compare 1 fast enable

This bit is used to accelerate the effect of an event on the trigger in input on the CC output.
0: CC1 behaves normally depending on counter and CCR1 values even when the trigger is ON. The minimum delay to activate CC1 output when an edge occurs on the trigger input is 5 clock cycles.

1: An active edge on the trigger input acts like a compare match on CC1 output. OC is then set to the compare level independently of the result of the comparison. Delay to sample the trigger input and to activate CC1 output is reduced to 3 clock cycles. OC1FE acts only if the channel is configured in PWM1 or PWM2 mode.

Bits 1:0 **CC1S**: Capture/Compare 1 selection

This bit-field defines the direction of the channel (input/output) as well as the used input.
00: CC1 channel is configured as output.

01: CC1 channel is configured as input, IC1 is mapped on TI1.

10: Reserved

11: Reserved

Note: CC1S bits are writable only when the channel is OFF (CC1E = 0 in TIMx_CCER).

Input capture mode

Bits 15:8 Reserved, must be kept at reset value.

Bits 7:4 **IC1F**: Input capture 1 filter

This bit-field defines the frequency used to sample T11 input and the length of the digital filter applied to T11. The digital filter is made of an event counter in which N consecutive events are needed to validate a transition on the output:

0000: No filter, sampling is done at f_{DTS}

0001: $f_{SAMPLING}=f_{CK_INT}$, N=2

0010: $f_{SAMPLING}=f_{CK_INT}$, N=4

0011: $f_{SAMPLING}=f_{CK_INT}$, N=8

0100: $f_{SAMPLING}=f_{DTS}/2$, N=6

0101: $f_{SAMPLING}=f_{DTS}/2$, N=8

0110: $f_{SAMPLING}=f_{DTS}/4$, N=6

0111: $f_{SAMPLING}=f_{DTS}/4$, N=8

1000: $f_{SAMPLING}=f_{DTS}/8$, N=6

1001: $f_{SAMPLING}=f_{DTS}/8$, N=8

1010: $f_{SAMPLING}=f_{DTS}/16$, N=5

1011: $f_{SAMPLING}=f_{DTS}/16$, N=6

1100: $f_{SAMPLING}=f_{DTS}/16$, N=8

1101: $f_{SAMPLING}=f_{DTS}/32$, N=5

1110: $f_{SAMPLING}=f_{DTS}/32$, N=6

1111: $f_{SAMPLING}=f_{DTS}/32$, N=8

Bits 3:2 **IC1PSC**: Input capture 1 prescaler

This bit-field defines the ratio of the prescaler acting on CC1 input (IC1).

The prescaler is reset as soon as $CC1E=0$ (TIMx_CCER register).

00: no prescaler, capture is done each time an edge is detected on the capture input

01: capture is done once every 2 events

10: capture is done once every 4 events

11: capture is done once every 8 events

Bits 1:0 **CC1S**: Capture/Compare 1 selection

This bit-field defines the direction of the channel (input/output) as well as the used input.

00: CC1 channel is configured as output

01: CC1 channel is configured as input, IC1 is mapped on T11

10: Reserved

11: Reserved

Note: CC1S bits are writable only when the channel is OFF ($CC1E = 0$ in TIMx_CCER).

15.5.6 TIM10/11/13/14 capture/compare enable register (TIMx_CCER)

Address offset: 0x20

Reset value: 0x0000

15	14	13	12	11	10	9	8	7	6	5	4	3	2	1	0
Reserved												CC1NP	Res.	CC1P	CC1E
												rw		rw	rw

Bits 15:4 Reserved, must be kept at reset value.

Bit 3 **CC1NP**: Capture/Compare 1 complementary output Polarity.

CC1 channel configured as output: CC1NP must be kept cleared.

CC1 channel configured as input: CC1NP bit is used in conjunction with CC1P to define T11FP1 polarity (refer to CC1P description).

Bit 2 Reserved, must be kept at reset value.

Bit 1 **CC1P**: Capture/Compare 1 output Polarity.

CC1 channel configured as output:

0: OC1 active high

1: OC1 active low

CC1 channel configured as input:

The CC1P bit selects T11FP1 and T12FP1 polarity for trigger or capture operations.

00: noninverted/rising edge

Circuit is sensitive to T11FP1 rising edge (capture mode), T11FP1 is not inverted.

01: inverted/falling edge

Circuit is sensitive to T11FP1 falling edge (capture mode), T11FP1 is inverted.

10: reserved, do not use this configuration.

11: noninverted/both edges

Circuit is sensitive to both T11FP1 rising and falling edges (capture mode), T11FP1 is not inverted.

Bit 0 **CC1E**: Capture/Compare 1 output enable.

CC1 channel configured as output:

0: Off - OC1 is not active

1: On - OC1 signal is output on the corresponding output pin

CC1 channel configured as input:

This bit determines if a capture of the counter value can actually be done into the input capture/compare register 1 (TIMx_CCR1) or not.

0: Capture disabled

1: Capture enabled

Table 66. Output control bit for standard OCx channels

CCxE bit	OCx output state
0	Output Disabled (OCx='0', OCx_EN='0')
1	OCx=OCxREF + Polarity, OCx_EN='1'

Note: The state of the external I/O pins connected to the standard OCx channels depends on the OCx channel state and the GPIO registers.

15.5.7 TIM10/11/13/14 counter (TIMx_CNT)

Address offset: 0x24

Reset value: 0x0000

15	14	13	12	11	10	9	8	7	6	5	4	3	2	1	0
CNT[15:0]															
rw	rw	rw	rw	rw	rw	rw	rw	rw	rw	rw	rw	rw	rw	rw	rw

Bits 15:0 **CNT[15:0]**: Counter value

15.5.8 TIM10/11/13/14 prescaler (TIMx_PSC)

Address offset: 0x28

Reset value: 0x0000

15	14	13	12	11	10	9	8	7	6	5	4	3	2	1	0
PSC[15:0]															
rw	rw	rw	rw	rw	rw	rw	rw	rw	rw	rw	rw	rw	rw	rw	rw

Bits 15:0 **PSC[15:0]**: Prescaler value

The counter clock frequency CK_CNT is equal to $f_{CK_PSC} / (PSC[15:0] + 1)$.
 PSC contains the value to be loaded in the active prescaler register at each update event (including when the counter is cleared through UG bit of TIMx_EGR register or through trigger controller when configured in “reset mode”).

15.5.9 TIM10/11/13/14 auto-reload register (TIMx_ARR)

Address offset: 0x2C

Reset value: 0xFFFF

15	14	13	12	11	10	9	8	7	6	5	4	3	2	1	0
ARR[15:0]															
rw	rw	rw	rw	rw	rw	rw	rw	rw	rw	rw	rw	rw	rw	rw	rw

Bits 15:0 **ARR[15:0]**: Auto-reload value

ARR is the value to be loaded in the actual auto-reload register.
 Refer to [Section 15.3.1: Time-base unit](#) for more details about ARR update and behavior.
 The counter is blocked while the auto-reload value is null.

15.5.10 TIM10/11/13/14 capture/compare register 1 (TIMx_CCR1)

Address offset: 0x34

Reset value: 0x0000

15	14	13	12	11	10	9	8	7	6	5	4	3	2	1	0
CCR1[15:0]															
rw/ro	rw/ro	rw/ro	rw/ro	rw/ro	rw/ro	rw/ro	rw/ro	rw/ro	rw/ro	rw/ro	rw/ro	rw/ro	rw/ro	rw/ro	rw/ro

Bits 15:0 **CCR1[15:0]**: Capture/Compare 1 value

If channel CC1 is configured as output:

CCR1 is the value to be loaded in the actual capture/compare 1 register (preload value).

It is loaded permanently if the preload feature is not selected in the TIMx_CCMR1 register (bit OC1PE). Else the preload value is copied in the active capture/compare 1 register when an update event occurs.

The active capture/compare register contains the value to be compared to the counter TIMx_CNT and signaled on OC1 output.

If channel CC1 is configured as input:

CCR1 is the counter value transferred by the last input capture 1 event (IC1). The TIMx_CCR1 register is read-only and cannot be programmed.

15.5.11 TIM11 option register 1 (TIM11_OR)

Address offset: 0x50

Reset value: 0x0000

15	14	13	12	11	10	9	8	7	6	5	4	3	2	1	0
Reserved														TI1_RMP[1:0]	
														rw	

Bits 15:2 Reserved, must be kept at reset value.

Bits 1:0 **TI1_RMP[1:0]**: TIM11 Input 1 remapping capability

Set and cleared by software.

00,01,11: TIM11 Channel1 is connected to the GPIO (refer to the Alternate function mapping table in the datasheets).

10: HSE_RTC clock (HSE divided by programmable prescaler) is connected to the TIM11_CH1 input for measurement purposes

15.5.12 TIM10/11/13/14 register map

TIMx registers are mapped as 16-bit addressable registers as described in the table below.

Table 67. TIM10/11/13/14 register map and reset values

Offset	Register	31	30	29	28	27	26	25	24	23	22	21	20	19	18	17	16	15	14	13	12	11	10	9	8	7	6	5	4	3	2	1	0
0x00	TIMx_CR1	Reserved														CKD [1:0]	ARPE	Reserved			OPM	URS	UDIS	CEN									
	Reset value															0	0	0	0	0	0	0	0										
0x08	TIMx_SMCR	Reserved																															
	Reset value																																
0x0C	TIMx_DIER	Reserved																								CC1IE	UIE						
	Reset value																									0	0						
0x10	TIMx_SR	Reserved														CC1OF	Reserved										CC1IF	UIF					
	Reset value															0											0	0					
0x14	TIMx_EGR	Reserved																								CC1G	UG						
	Reset value																									0	0						
0x18	TIMx_CCMR1 Output compare mode	Reserved														OC1M [2:0]			OC1PE	OC1FE	CC1S [1:0]												
	Reset value															0	0	0	0	0	0	0											
	TIMx_CCMR1 Input capture mode	Reserved														IC1F[3:0]			IC1PSC [1:0]	CC1S [1:0]													
Reset value															0	0	0	0	0	0	0	0											
0x1C	Reserved																																
0x20	TIMx_CCER	Reserved																								CC1NP	Reserved	CC1P	CC1E				
	Reset value																									0		0	0				
0x24	TIMx_CNT	Reserved														CNT[15:0]																	
	Reset value															0 0																	
0x28	TIMx_PSC	Reserved														PSC[15:0]																	
	Reset value															0 0																	
0x2C	TIMx_ARR	Reserved														ARR[15:0]																	
	Reset value															0 0																	
0x30	Reserved																																
0x34	TIMx_CCR1	Reserved														CCR1[15:0]																	
	Reset value															0 0																	
0x38 to 0x4C	Reserved																																

Table 67. TIM10/11/13/14 register map and reset values (continued)

Offset	Register	31	30	29	28	27	26	25	24	23	22	21	20	19	18	17	16	15	14	13	12	11	10	9	8	7	6	5	4	3	2	1	0
0x50	TIMx_OR	Reserved																									TIM_RMP						
	Reset value																												0	0			

Refer to [Section 2.3: Memory map](#) for the register boundary addresses.

16 Basic timers (TIM6 and TIM7)

This section applies to the whole STM32F20x and STM32F21x family, unless otherwise specified.

16.1 TIM6 and TIM7 introduction

The basic timers TIM6 and TIM7 consist of a 16-bit auto-reload counter driven by a programmable prescaler.

They may be used as generic timers for time-base generation but they are also specifically used to drive the digital-to-analog converter (DAC). In fact, the timers are internally connected to the DAC and are able to drive it through their trigger outputs.

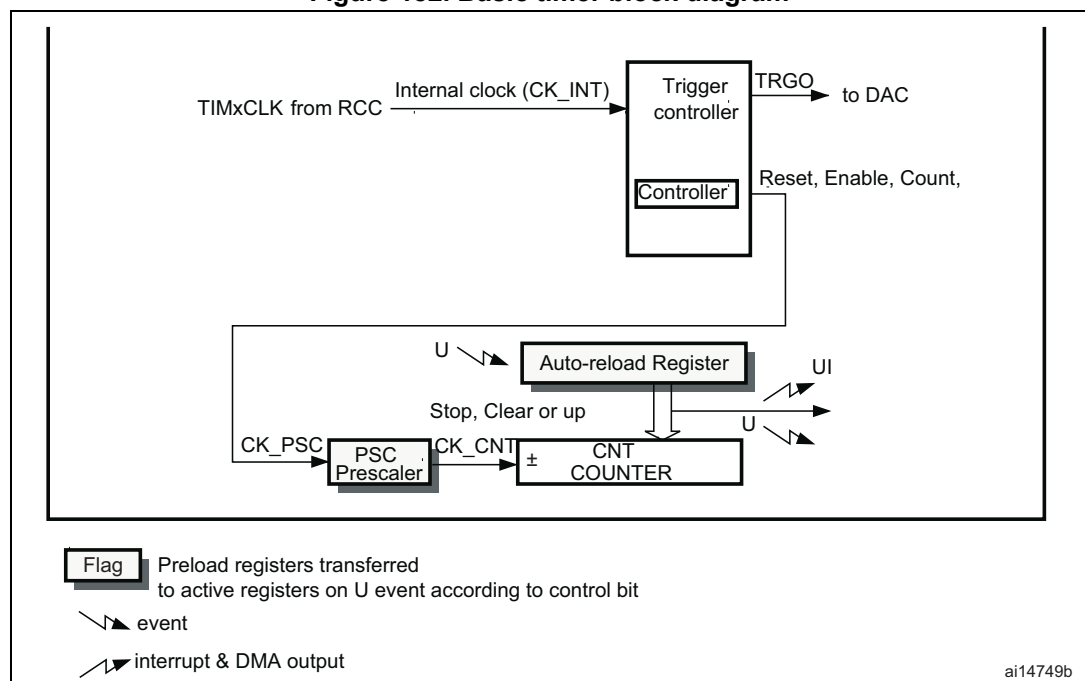
The timers are completely independent, and do not share any resources.

16.2 TIM6 and TIM7 main features

Basic timer (TIM6 and TIM7) features include:

- 16-bit auto-reload upcounter
- 16-bit programmable prescaler used to divide (also “on the fly”) the counter clock frequency by any factor between 1 and 65536
- Synchronization circuit to trigger the DAC
- Interrupt/DMA generation on the update event: counter overflow

Figure 182. Basic timer block diagram



16.3 TIM6 and TIM7 functional description

16.3.1 Time-base unit

The main block of the programmable timer is a 16-bit upcounter with its related auto-reload register. The counter clock can be divided by a prescaler.

The counter, the auto-reload register and the prescaler register can be written or read by software. This is true even when the counter is running.

The time-base unit includes:

- Counter register (TIMx_CNT)
- Prescaler register (TIMx_PSC)
- Auto-Reload register (TIMx_ARR)

The auto-reload register is preloaded. The preload register is accessed each time an attempt is made to write or read the auto-reload register. The contents of the preload register are transferred into the shadow register permanently or at each update event UEV, depending on the auto-reload preload enable bit (ARPE) in the TIMx_CR1 register. The update event is sent when the counter reaches the overflow value and if the UDIS bit equals 0 in the TIMx_CR1 register. It can also be generated by software. The generation of the update event is described in detail for each configuration.

The counter is clocked by the prescaler output CK_CNT, which is enabled only when the counter enable bit (CEN) in the TIMx_CR1 register is set.

Note that the actual counter enable signal CNT_EN is set 1 clock cycle after CEN.

Prescaler description

The prescaler can divide the counter clock frequency by any factor between 1 and 65536. It is based on a 16-bit counter controlled through a 16-bit register (in the TIMx_PSC register). It can be changed on the fly as the TIMx_PSC control register is buffered. The new prescaler ratio is taken into account at the next update event.

Figure 183 and *Figure 184* give some examples of the counter behavior when the prescaler ratio is changed on the fly.

Figure 183. Counter timing diagram with prescaler division change from 1 to 2

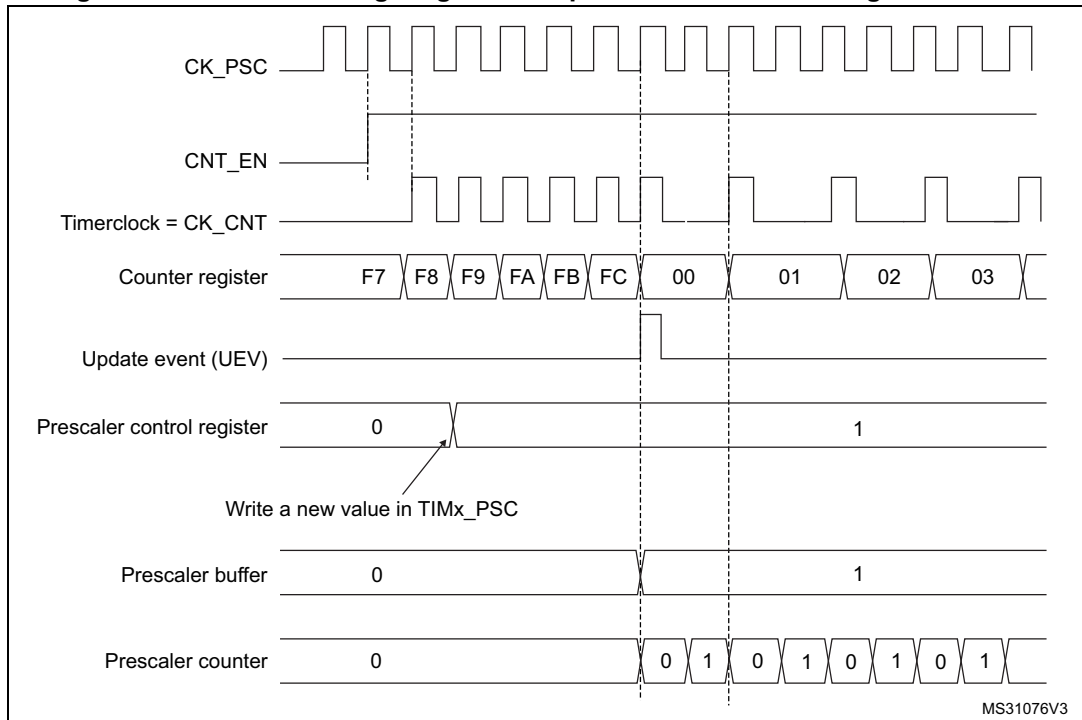
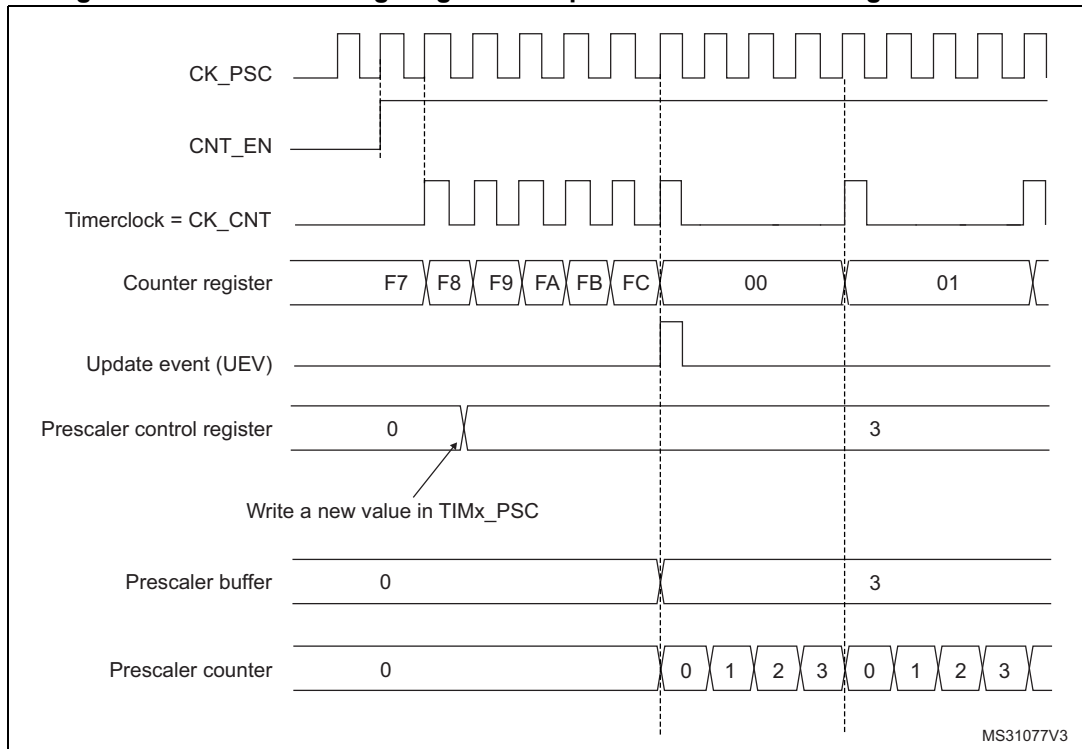


Figure 184. Counter timing diagram with prescaler division change from 1 to 4



16.3.2 Counting mode

The counter counts from 0 to the auto-reload value (contents of the TIMx_ARR register), then restarts from 0 and generates a counter overflow event.

An update event can be generated at each counter overflow or by setting the UG bit in the TIMx_EGR register (by software or by using the slave mode controller).

The UEV event can be disabled by software by setting the UDIS bit in the TIMx_CR1 register. This avoids updating the shadow registers while writing new values into the preload registers. In this way, no update event occurs until the UDIS bit has been written to 0, however, the counter and the prescaler counter both restart from 0 (but the prescale rate does not change). In addition, if the URS (update request selection) bit in the TIMx_CR1 register is set, setting the UG bit generates an update event UEV, but the UIF flag is not set (so no interrupt or DMA request is sent).

When an update event occurs, all the registers are updated and the update flag (UIF bit in the TIMx_SR register) is set (depending on the URS bit):

- The buffer of the prescaler is reloaded with the preload value (contents of the TIMx_PSC register)
- The auto-reload shadow register is updated with the preload value (TIMx_ARR)

The following figures show some examples of the counter behavior for different clock frequencies when TIMx_ARR = 0x36.

Figure 185. Counter timing diagram, internal clock divided by 1

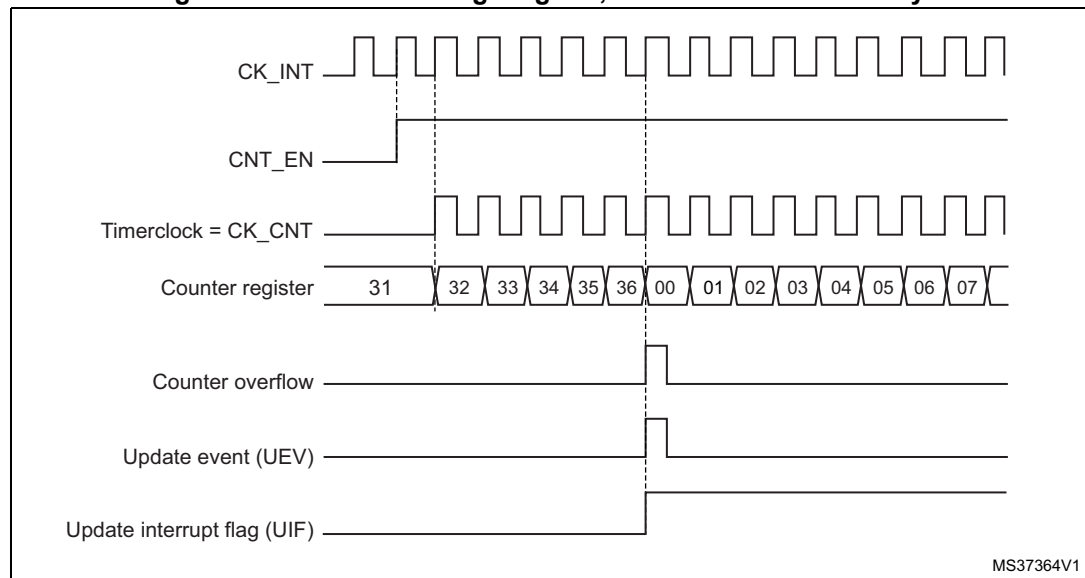


Figure 186. Counter timing diagram, internal clock divided by 2

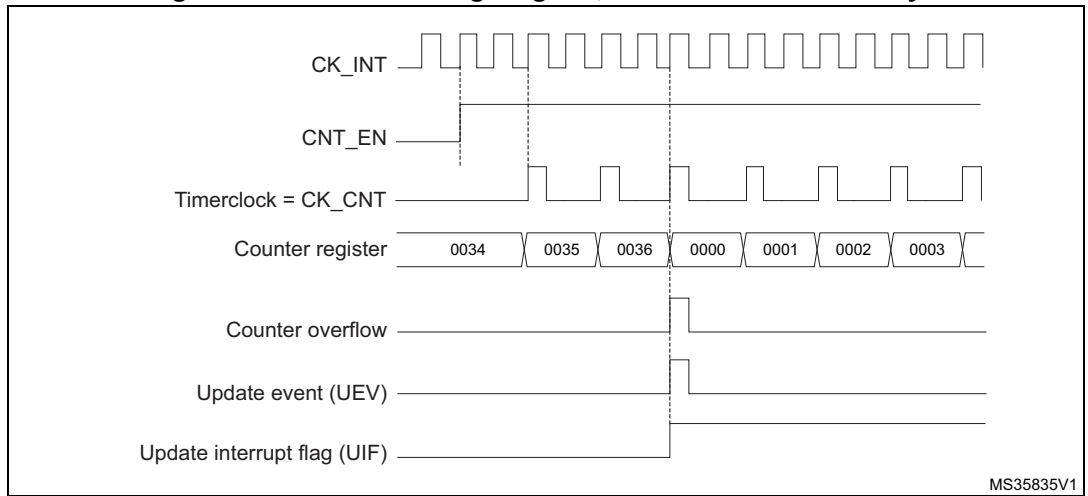


Figure 187. Counter timing diagram, internal clock divided by 4

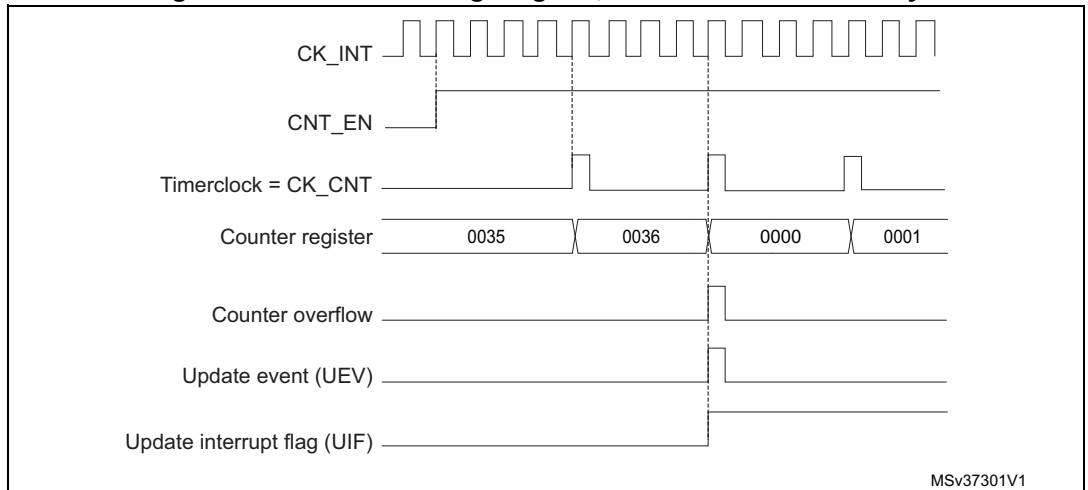


Figure 188. Counter timing diagram, internal clock divided by N

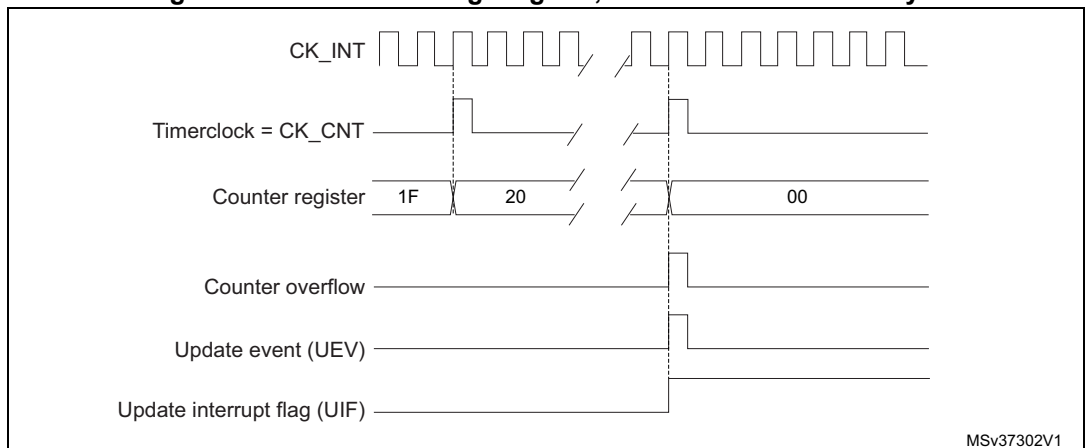


Figure 189. Counter timing diagram, update event when ARPE=0 (TIMx_ARR not preloaded)

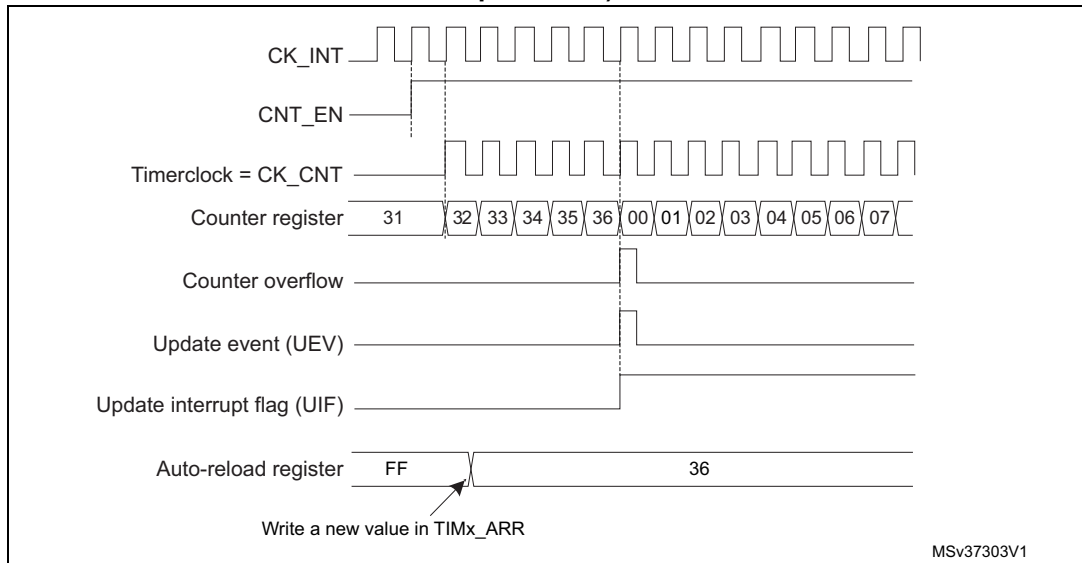
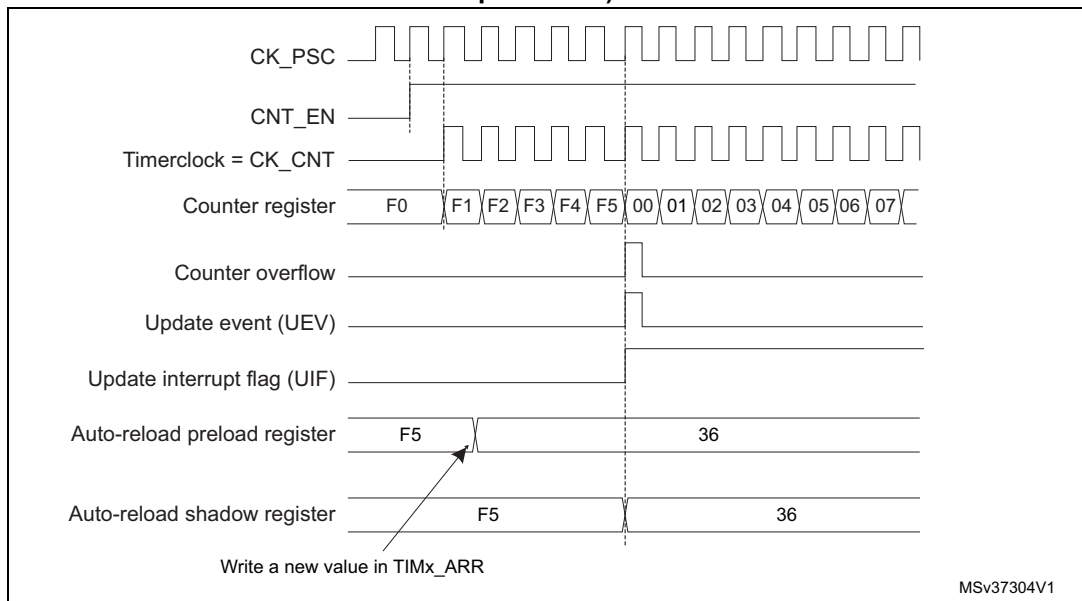


Figure 190. Counter timing diagram, update event when ARPE=1 (TIMx_ARR preloaded)



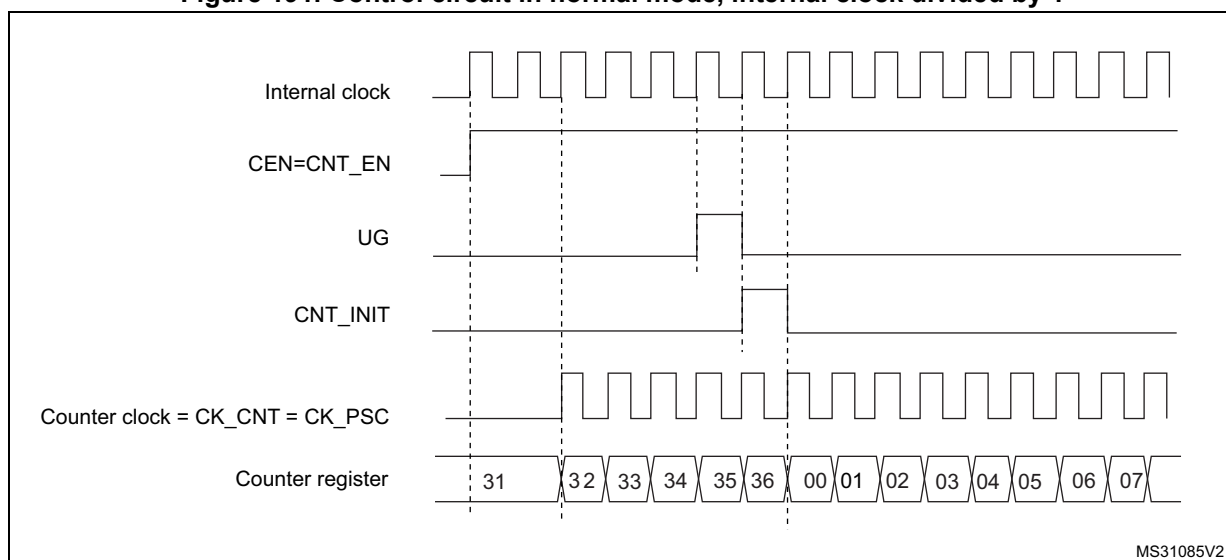
16.3.3 Clock source

The counter clock is provided by the Internal clock (CK_INT) source.

The CEN (in the TIMx_CR1 register) and UG bits (in the TIMx_EGR register) are actual control bits and can be changed only by software (except for UG that remains cleared automatically). As soon as the CEN bit is written to 1, the prescaler is clocked by the internal clock CK_INT.

Figure 191 shows the behavior of the control circuit and the upcounter in normal mode, without prescaler.

Figure 191. Control circuit in normal mode, internal clock divided by 1



MS31085V2

16.3.4 Debug mode

When the microcontroller enters the debug mode (Cortex[®]-M3 core - halted), the TIMx counter either continues to work normally or stops, depending on the DBG_TIMx_STOP configuration bit in the DBG module. For more details, refer to [Section 32.16.2: Debug support for timers, watchdog, bxCAN and I²C](#).

16.4 TIM6 and TIM7 registers

Refer to [Section 2.2](#) for a list of abbreviations used in register descriptions.

The peripheral registers have to be written by half-words (16 bits) or words (32 bits). Read accesses can be done by bytes (8 bits), half-words (16 bits) or words (32 bits).

16.4.1 TIM6 and TIM7 control register 1 (TIMx_CR1)

Address offset: 0x00

Reset value: 0x0000

15	14	13	12	11	10	9	8	7	6	5	4	3	2	1	0	
Reserved								ARPE	Reserved				OPM	URS	UDIS	CEN
								rw					rw	rw	rw	rw

Bits 15:8 Reserved, must be kept at reset value.

Bit 7 **ARPE**: Auto-reload preload enable

0: TIMx_ARR register is not buffered.

1: TIMx_ARR register is buffered.

Bits 6:4 Reserved, must be kept at reset value.

Bit 3 **OPM**: One-pulse mode

0: Counter is not stopped at update event

1: Counter stops counting at the next update event (clearing the CEN bit).

Bit 2 URS: Update request source

This bit is set and cleared by software to select the UEV event sources.

0: Any of the following events generates an update interrupt or DMA request if enabled.

These events can be:

- Counter overflow/underflow
- Setting the UG bit
- Update generation through the slave mode controller

1: Only counter overflow/underflow generates an update interrupt or DMA request if enabled.

Bit 1 UDIS: Update disable

This bit is set and cleared by software to enable/disable UEV event generation.

0: UEV enabled. The Update (UEV) event is generated by one of the following events:

- Counter overflow/underflow
- Setting the UG bit
- Update generation through the slave mode controller

Buffered registers are then loaded with their preload values.

1: UEV disabled. The Update event is not generated, shadow registers keep their value (ARR, PSC). However the counter and the prescaler are reinitialized if the UG bit is set or if a hardware reset is received from the slave mode controller.

Bit 0 CEN: Counter enable

0: Counter disabled

1: Counter enabled

Note: Gated mode can work only if the CEN bit has been previously set by software. However trigger mode can set the CEN bit automatically by hardware.

CEN is cleared automatically in one-pulse mode, when an update event occurs.

16.4.2 TIM6 and TIM7 control register 2 (TIMx_CR2)

Address offset: 0x04

Reset value: 0x0000

15	14	13	12	11	10	9	8	7	6	5	4	3	2	1	0
Reserved									MMS[2:0]			Reserved			
									rw	rw	rw				

Bits 15:7 Reserved, must be kept at reset value.

Bits 6:4 **MMS[2:0]**: Master mode selection

These bits are used to select the information to be sent in master mode to slave timers for synchronization (TRGO). The combination is as follows:

000: **Reset** - the UG bit from the TIMx_EGR register is used as a trigger output (TRGO). If reset is generated by the trigger input (slave mode controller configured in reset mode) then the signal on TRGO is delayed compared to the actual reset.

001: **Enable** - the Counter enable signal, CNT_EN, is used as a trigger output (TRGO). It is useful to start several timers at the same time or to control a window in which a slave timer is enabled. The Counter Enable signal is generated by a logic OR between CEN control bit and the trigger input when configured in gated mode.

When the Counter Enable signal is controlled by the trigger input, there is a delay on TRGO, except if the master/slave mode is selected (see the MSM bit description in the TIMx_SMCR register).

010: **Update** - The update event is selected as a trigger output (TRGO). For instance a master timer can then be used as a prescaler for a slave timer.

Note: The clock of the slave timer and ADC must be enabled prior to receiving events from the master timer, and must not be changed on-the-fly while triggers are received from the master timer.

Bits 3:0 Reserved, must be kept at reset value.

16.4.3 TIM6 and TIM7 DMA/Interrupt enable register (TIMx_DIER)

Address offset: 0x0C

Reset value: 0x0000

15	14	13	12	11	10	9	8	7	6	5	4	3	2	1	0
Reserved							UDE	Reserved							UIE
							rw								rw

Bits 15:9 Reserved, must be kept at reset value.

Bit 8 **UDE**: Update DMA request enable

0: Update DMA request disabled.

1: Update DMA request enabled.

Bits 7:1 Reserved, must be kept at reset value.

Bit 0 **UIE**: Update interrupt enable

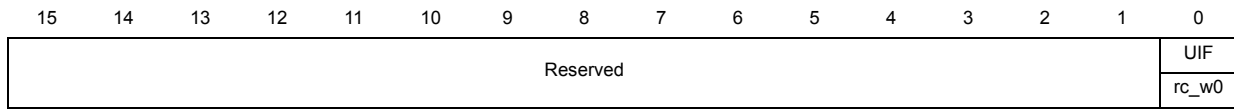
0: Update interrupt disabled.

1: Update interrupt enabled.

16.4.4 TIM6 and TIM7 status register (TIMx_SR)

Address offset: 0x10

Reset value: 0x0000



Bits 15:1 Reserved, must be kept at reset value.

Bit 0 **UIF**: Update interrupt flag

This bit is set by hardware on an update event. It is cleared by software.

0: No update occurred.

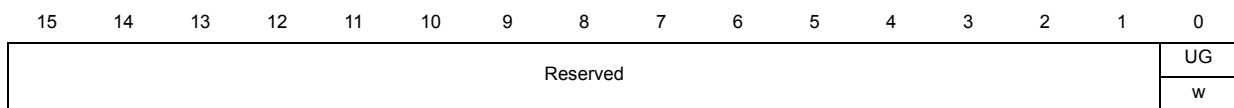
1: Update interrupt pending. This bit is set by hardware when the registers are updated:

- At overflow or underflow and if UDIS = 0 in the TIMx_CR1 register.
- When CNT is reinitialized by software using the UG bit in the TIMx_EGR register, if URS = 0 and UDIS = 0 in the TIMx_CR1 register.

16.4.5 TIM6 and TIM7 event generation register (TIMx_EGR)

Address offset: 0x14

Reset value: 0x0000



Bits 15:1 Reserved, must be kept at reset value.

Bit 0 **UG**: Update generation

This bit can be set by software, it is automatically cleared by hardware.

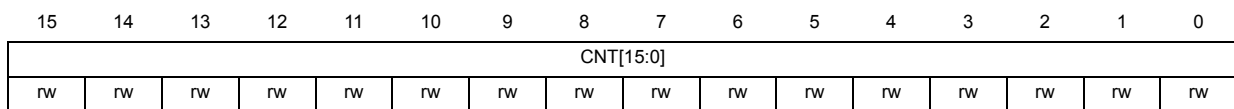
0: No action.

1: Re-initializes the timer counter and generates an update of the registers. Note that the prescaler counter is cleared too (but the prescaler ratio is not affected).

16.4.6 TIM6 and TIM7 counter (TIMx_CNT)

Address offset: 0x24

Reset value: 0x0000



Bits 15:0 **CNT[15:0]**: Counter value

16.4.7 TIM6 and TIM7 prescaler (TIMx_PSC)

Address offset: 0x28

Reset value: 0x0000

15	14	13	12	11	10	9	8	7	6	5	4	3	2	1	0
PSC[15:0]															
rw	rw	rw	rw	rw	rw	rw	rw	rw	rw	rw	rw	rw	rw	rw	rw

Bits 15:0 **PSC[15:0]**: Prescaler value

The counter clock frequency CK_CNT is equal to $f_{CK_PSC} / (PSC[15:0] + 1)$.

PSC contains the value to be loaded in the active prescaler register at each update event (including when the counter is cleared through UG bit of TIMx_EGR register or through trigger controller when configured in “reset mode”).

16.4.8 TIM6 and TIM7 auto-reload register (TIMx_ARR)

Address offset: 0x2C

Reset value: 0xFFFF

15	14	13	12	11	10	9	8	7	6	5	4	3	2	1	0
ARR[15:0]															
rw	rw	rw	rw	rw	rw	rw	rw	rw	rw	rw	rw	rw	rw	rw	rw

Bits 15:0 **ARR[15:0]**: Auto-reload value

ARR is the value to be loaded into the actual auto-reload register.

Refer to [Section 16.3.1: Time-base unit](#) for more details about ARR update and behavior.

The counter is blocked while the auto-reload value is null.

16.4.9 TIM6 and TIM7 register map

TIMx registers are mapped as 16-bit addressable registers as described in the table below.

Table 68. TIM6 and TIM7 register map and reset values

Offset	Register	31	30	29	28	27	26	25	24	23	22	21	20	19	18	17	16	15	14	13	12	11	10	9	8	7	6	5	4	3	2	1	0															
0x00	TIMx_CR1	Reserved																							ARPE	Reserved			OPM	URS	UDIS	CEN																
	Reset value																								0	Reserved			0	0	0	0																
0x04	TIMx_CR2	Reserved														MMS[2:0]			Reserved																													
	Reset value															0	0	0	Reserved																													
0x08	Reserved																																															
0x0C	TIMx_DIER	Reserved																							UDE	Reserved					UIE																	
	Reset value																								0	Reserved					0																	
0x10	TIMx_SR	Reserved																											UIF																			
	Reset value																												0																			
0x14	TIMx_EGR	Reserved																											UG																			
	Reset value																												0																			
0x18	Reserved																																															
0x1C	Reserved																																															
0x20	Reserved																																															
0x24	TIMx_CNT	Reserved															CNT[15:0]																															
	Reset value																0	0	0	0	0	0	0	0	0	0	0	0	0	0	0	0	0	0	0	0	0	0	0	0	0	0	0	0	0	0	0	
0x28	TIMx_PSC	Reserved															PSC[15:0]																															
	Reset value																0	0	0	0	0	0	0	0	0	0	0	0	0	0	0	0	0	0	0	0	0	0	0	0	0	0	0	0	0	0	0	0
0x2C	TIMx_ARR	Reserved															ARR[15:0]																															
	Reset value																1	1	1	1	1	1	1	1	1	1	1	1	1	1	1	1	1	1	1	1	1	1	1	1	1	1	1	1	1	1	1	1

Refer to [Section 3.3: Memory map](#) for the register boundary addresses.

17 Independent watchdog (IWDG)

This section applies to the whole STM32F20x and STM32F21x family, unless otherwise specified.

17.1 IWDG introduction

The devices have two embedded watchdog peripherals which offer a combination of high safety level, timing accuracy and flexibility of use. Both watchdog peripherals (Independent and Window) serve to detect and resolve malfunctions due to software failure, and to trigger system reset or an interrupt (window watchdog only) when the counter reaches a given timeout value.

The independent watchdog (IWDG) is clocked by its own dedicated low-speed clock (LSI) and thus stays active even if the main clock fails. The window watchdog (WWDG) clock is prescaled from the APB1 clock and has a configurable time-window that can be programmed to detect abnormally late or early application behavior.

The IWDG is best suited to applications which require the watchdog to run as a totally independent process outside the main application, but have lower timing accuracy constraints. The WWDG is best suited to applications which require the watchdog to react within an accurate timing window. For further information on the window watchdog, refer to [Section 18 on page 492](#).

17.2 IWDG main features

- Free-running downcounter
- clocked from an independent RC oscillator (can operate in Standby and Stop modes)
- Reset (if watchdog activated) when the downcounter value of 0x000 is reached

17.3 IWDG functional description

[Figure 192](#) shows the functional blocks of the independent watchdog module.

When the independent watchdog is started by writing the value 0xCCCC in the Key register (IWDG_KR), the counter starts counting down from the reset value of 0xFFFF. When it reaches the end of count value (0x000) a reset signal is generated (IWDG reset).

Whenever the key value 0xAAAA is written in the IWDG_KR register, the IWDG_RLR value is reloaded in the counter and the watchdog reset is prevented.

17.3.1 Hardware watchdog

If the “Hardware watchdog” feature is enabled through the device option bits, the watchdog is automatically enabled at power-on, and generates a reset unless the Key register is written by the software before the counter reaches end of count.

17.3.2 Register access protection

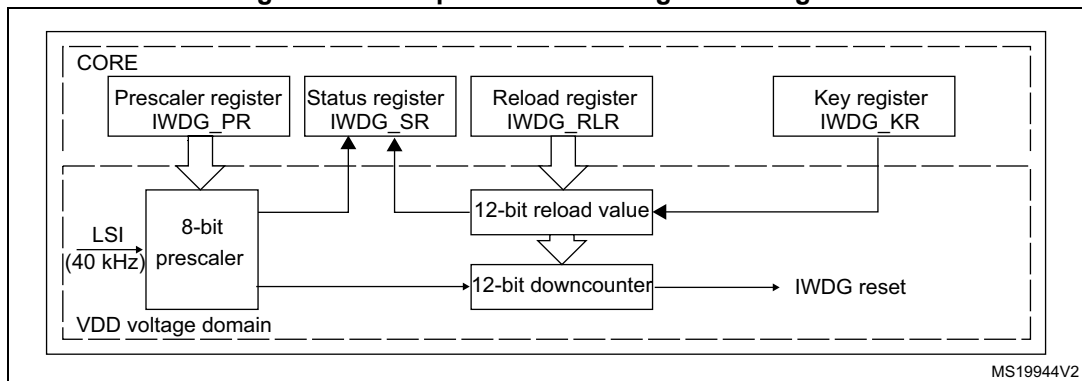
Write access to the IWDG_PR and IWDG_RLR registers is protected. To modify them, first write the code 0x5555 in the IWDG_KR register. A write access to this register with a different value breaks the sequence and register access is protected again. This implies that it is the case of the reload operation (writing 0xAAAA).

A status register is available to indicate that an update of the prescaler or the down-counter reload value is on going.

17.3.3 Debug mode

When the microcontroller enters debug mode (Cortex[®]-M3 core halted), the IWDG counter either continues to work normally or stops, depending on DBG_IWDG_STOP configuration bit in DBG module. For more details, refer to [Section 32.16.2: Debug support for timers, watchdog, bxCAN and I²C](#).

Figure 192. Independent watchdog block diagram



Note: The watchdog function is implemented in the V_{DD} voltage domain, still functional in Stop and Standby modes.

Table 69. Min/max IWDG timeout period (in ms) at 32 kHz (LSI)⁽¹⁾

Prescaler divider	PR[2:0] bits	Min timeout RL[11:0]= 0x000	Max timeout RL[11:0]= 0xFFFF
/4	0	0.125	512
/8	1	0.25	1024
/16	2	0.5	2048
/32	3	1	4096
/64	4	2	8192
/128	5	4	16384
/256	6	8	32768

1. These timings are given for a 32 kHz clock but the microcontroller internal RC frequency can vary. Refer to the LSI oscillator characteristics table in the device datasheet for maximum and minimum values.

17.4 IWDG registers

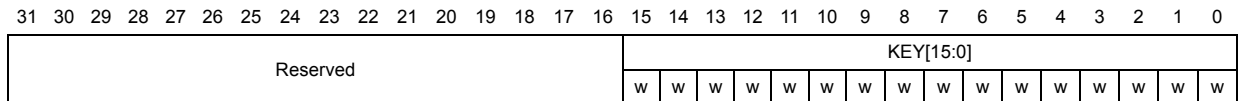
Refer to [Section 2.2 on page 45](#) for a list of abbreviations used in register descriptions.

The peripheral registers have to be accessed by half-words (16 bits) or words (32 bits).

17.4.1 Key register (IWDG_KR)

Address offset: 0x00

Reset value: 0x0000 0000 (reset by Standby mode)



Bits 31:16 Reserved, must be kept at reset value.

Bits 15:0 **KEY[15:0]**: Key value (write only, read 0000h)

These bits must be written by software at regular intervals with the key value AAAAh, otherwise the watchdog generates a reset when the counter reaches 0.

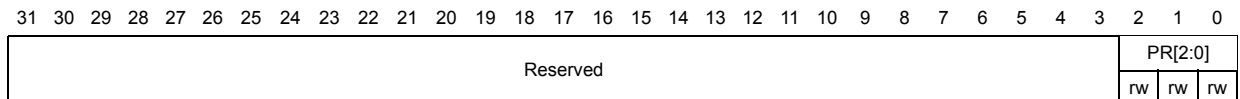
Writing the key value 5555h to enable access to the IWDG_PR and IWDG_RLR registers (see [Section 17.3.2](#))

Writing the key value CCCCh starts the watchdog (except if the hardware watchdog option is selected)

17.4.2 Prescaler register (IWDG_PR)

Address offset: 0x04

Reset value: 0x0000 0000



Bits 31:3 Reserved, must be kept at reset value.

Bits 2:0 **PR[2:0]**: Prescaler divider

These bits are write access protected see [Section 17.3.2](#). They are written by software to select the prescaler divider feeding the counter clock. PVU bit of IWDG_SR must be reset in order to be able to change the prescaler divider.

000: divider /4

001: divider /8

010: divider /16

011: divider /32

100: divider /64

101: divider /128

110: divider /256

111: divider /256

Note: Reading this register returns the prescaler value from the VDD voltage domain. This value may not be up to date/valid if a write operation to this register is ongoing. For this reason the value read from this register is valid only when the PVU bit in the IWDG_SR register is reset.

17.4.3 Reload register (IWDG_RLR)

Address offset: 0x08

Reset value: 0x0000 0FFF (reset by Standby mode)

31	30	29	28	27	26	25	24	23	22	21	20	19	18	17	16	15	14	13	12	11	10	9	8	7	6	5	4	3	2	1	0																			
Reserved																				RL[11:0]																														
																				rw	rw	rw	rw	rw	rw	rw	rw	rw	rw	rw	rw	rw	rw	rw	rw	rw	rw	rw	rw	rw	rw	rw	rw	rw	rw	rw	rw	rw	rw	rw

Bits 31:12 Reserved, must be kept at reset value.

Bits11:0 **RL[11:0]**: Watchdog counter reload value

These bits are write access protected see [Section 17.3.2](#). They are written by software to define the value to be loaded in the watchdog counter each time the value AAAAh is written in the IWDG_KR register. The watchdog counter counts down from this value. The timeout period is a function of this value and the clock prescaler. Refer to [Table 69](#).

The RVU bit in the IWDG_SR register must be reset in order to be able to change the reload value.

Note: Reading this register returns the reload value from the VDD voltage domain. This value may not be up to date/valid if a write operation to this register is ongoing on this register. For this reason the value read from this register is valid only when the RVU bit in the IWDG_SR register is reset.

17.4.4 Status register (IWDG_SR)

Address offset: 0x0C

Reset value: 0x0000 0000 (not reset by Standby mode)

31	30	29	28	27	26	25	24	23	22	21	20	19	18	17	16	15	14	13	12	11	10	9	8	7	6	5	4	3	2	1	0
Reserved																RVU	PVU														
																r	r														

Bits 31:2 Reserved, must be kept at reset value.

Bit 1 **RVU**: Watchdog counter reload value update

This bit is set by hardware to indicate that an update of the reload value is ongoing. It is reset by hardware when the reload value update operation is completed in the V_{DD} voltage domain (takes up to 5 RC 40 kHz cycles).

Reload value can be updated only when RVU bit is reset.

Bit 0 **PVU**: Watchdog prescaler value update

This bit is set by hardware to indicate that an update of the prescaler value is ongoing. It is reset by hardware when the prescaler update operation is completed in the V_{DD} voltage domain (takes up to 5 RC 40 kHz cycles).

Prescaler value can be updated only when PVU bit is reset.

Note: If several reload values or prescaler values are used by application, it is mandatory to wait until RVU bit is reset before changing the reload value and to wait until PVU bit is reset before changing the prescaler value. However, after updating the prescaler and/or the reload value it is not necessary to wait until RVU or PVU is reset before continuing code execution (even in case of low-power mode entry, the write operation is taken into account and completes)

17.4.5 IWDG register map

The following table gives the IWDG register map and reset values.

Table 70. IWDG register map and reset values

Offset	Register	31	30	29	28	27	26	25	24	23	22	21	20	19	18	17	16	15	14	13	12	11	10	9	8	7	6	5	4	3	2	1	0													
0x00	IWDG_KR	Reserved															KEY[15:0]																													
	Reset value																0	0	0	0	0	0	0	0	0	0	0	0	0	0	0	0	0	0	0	0	0	0	0	0	0	0	0	0	0	0
0x04	IWDG_PR	Reserved																								PR[2:0]																				
	Reset value																									0	0	0																		
0x08	IWDG_RLR	Reserved											RL[11:0]																																	
	Reset value												1	1	1	1	1	1	1	1	1	1	1	1	1	1	1	1	1	1	1	1	1	1	1	1	1	1	1	1	1	1				
0x0C	IWDG_SR	Reserved																								RVU	PVU																			
	Reset value																									0	0																			

Refer to [Section 3.3: Memory map](#) for the register boundary addresses.

18 Window watchdog (WWDG)

This section applies to the whole STM32F20x and STM32F21x family, unless otherwise specified.

18.1 WWDG introduction

The window watchdog is used to detect the occurrence of a software fault, usually generated by external interference or by unforeseen logical conditions, which causes the application program to abandon its normal sequence. The watchdog circuit generates an MCU reset on expiry of a programmed time period, unless the program refreshes the contents of the downcounter before the T6 bit becomes cleared. An MCU reset is also generated if the 7-bit downcounter value (in the control register) is refreshed before the downcounter has reached the window register value. This implies that the counter must be refreshed in a limited window.

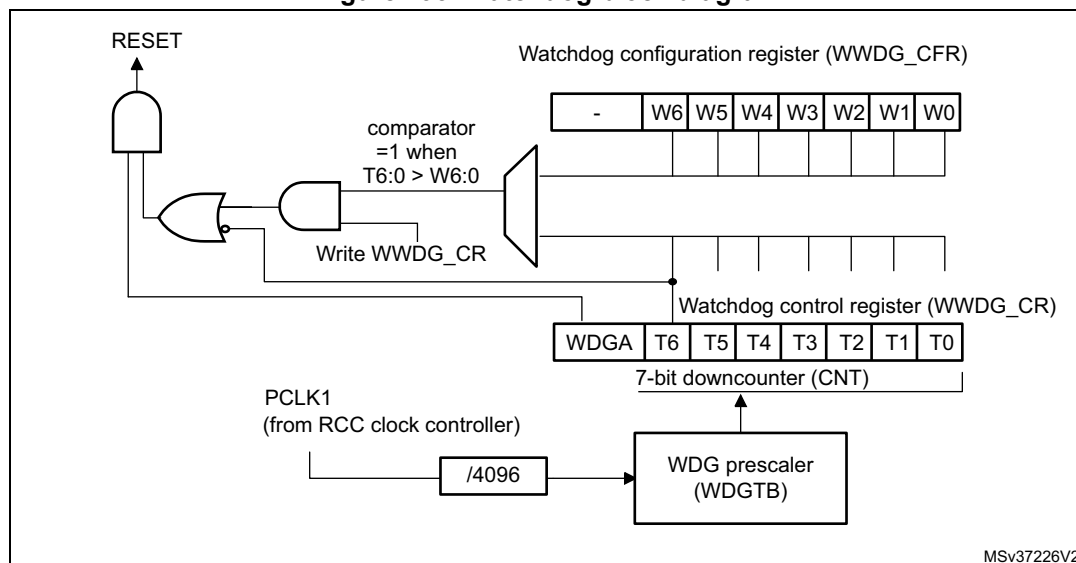
18.2 WWDG main features

- Programmable free-running downcounter
- Conditional reset
 - Reset (if watchdog activated) when the downcounter value becomes less than 0x40
 - Reset (if watchdog activated) if the downcounter is reloaded outside the window (see [Figure 194](#))
- Early wake-up interrupt (EWI): triggered (if enabled and the watchdog activated) when the downcounter is equal to 0x40.

18.3 WWDG functional description

If the watchdog is activated (the WDGA bit is set in the WWDG_CR register) and when the 7-bit downcounter (T[6:0] bits) rolls over from 0x40 to 0x3F (T6 becomes cleared), it initiates a reset. If the software reloads the counter while the counter is greater than the value stored in the window register, then a reset is generated.

Figure 193. Watchdog block diagram



The application program must write in the WWDG_CR register at regular intervals during normal operation to prevent an MCU reset. This operation must occur only when the counter value is lower than the window register value. The value to be stored in the WWDG_CR register must be between 0xFF and 0xC0.

Enabling the watchdog

The watchdog is always disabled after a reset. It is enabled by setting the WDGA bit in the WWDG_CR register, then it cannot be disabled again except by a reset.

Controlling the downcounter

This downcounter is free-running, counting down even if the watchdog is disabled. When the watchdog is enabled, the T6 bit must be set to prevent generating an immediate reset.

The T[5:0] bits contain the number of increments which represents the time delay before the watchdog produces a reset. The timing varies between a minimum and a maximum value due to the unknown status of the prescaler when writing to the WWDG_CR register (see [Figure 194](#)). The Configuration register (WWDG_CFR) contains the high limit of the window: To prevent a reset, the downcounter must be reloaded when its value is lower than the window register value and greater than 0x3F. [Figure 194](#) describes the window watchdog process.

Note: The T6 bit can be used to generate a software reset (the WDGA bit is set and the T6 bit is cleared).

Advanced watchdog interrupt feature

The Early Wake-up Interrupt (EWI) can be used if specific safety operations or data logging must be performed before the actual reset is generated. The EWI interrupt is enabled by setting the EWI bit in the WWDG_CFR register. When the downcounter reaches the value 0x40, an EWI interrupt is generated and the corresponding interrupt service routine (ISR) can be used to trigger specific actions (such as communications or data logging), before resetting the device.

In some applications, the EWI interrupt can be used to manage a software system check and/or system recovery/graceful degradation, without generating a WWDG reset. In this case, the corresponding interrupt service routine (ISR) should reload the WWDG counter to avoid the WWDG reset, then trigger the required actions.

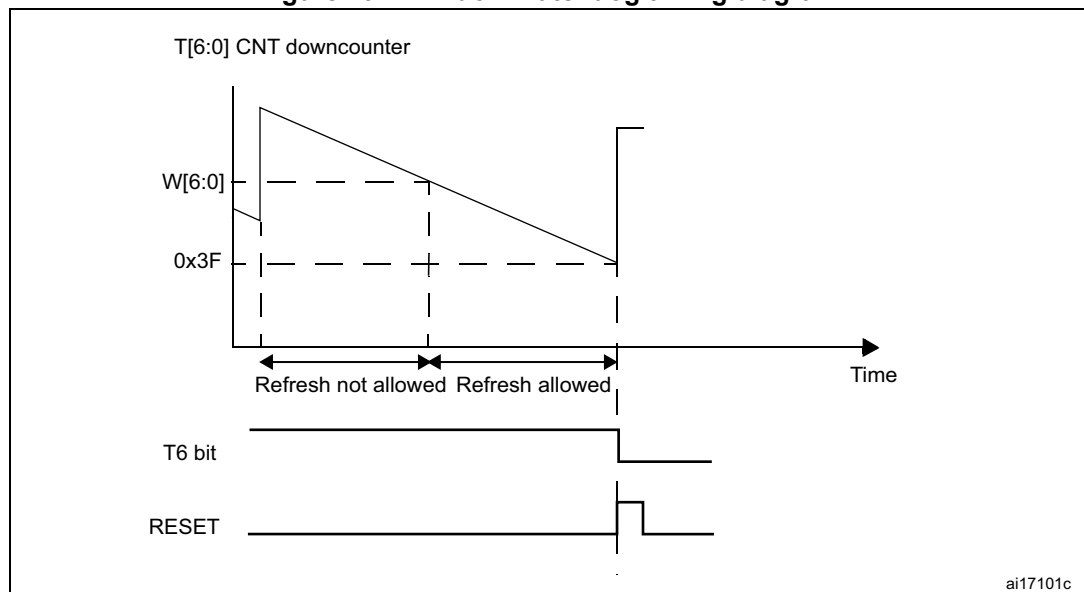
The EWI interrupt is cleared by writing '0' to the EWIF bit in the WWDG_SR register.

Note: When the EWI interrupt cannot be served (due to a system lock in a higher priority task), the WWDG reset is eventually generated.

18.4 How to program the watchdog timeout

Warning: When writing to the WWDG_CR register, always write 1 in the T6 bit to avoid generating an immediate reset.

Figure 194. Window watchdog timing diagram



The formula to calculate the WWDG timeout value is given by:

$$t_{\text{WWDG}} = t_{\text{PCLK1}} \times 4096 \times 2^{\text{WDGTB}[1:0]} \times (\text{T}[5:0] + 1) \quad (\text{ms})$$

where:

- t_{WWDG} : WWDG timeout
- t_{PCLK1} : APB1 clock period measured in ms
- 4096: value corresponding to internal divider

As an example, let us assume APB1 frequency is equal to 24 MHz, WDGTB[1:0] is set to 3 and T[5:0] is set to 63:

$$t_{\text{WWDG}} = 1 / 24000 \times 4096 \times 2^3 \times (63 + 1) = 21.85\text{ms}$$

Refer to [Table 71](#) for the minimum and maximum values of the t_{WWDG} .

Table 71. Minimum and maximum timeout values at 30 MHz (f_{PCLK1})

Prescaler	WDGTB	Min timeout (μs) T[5:0] = 0x00	Max timeout (ms) T[5:0] = 0x3F
1	0	136.53	8.74
2	1	273.07	17.48
4	2	546.13	34.95
8	3	1092.27	69.91

18.5 Debug mode

When the microcontroller enters debug mode (Cortex[®]-M3 core halted), the WWDG counter either continues to work normally or stops, depending on DBG_WWDG_STOP configuration bit in DBG module. For more details, refer to [Section 32.16.2: Debug support for timers, watchdog, bxCAN and I²C](#).

18.6 WWDG registers

Refer to [Section 2.2 on page 45](#) for a list of abbreviations used in register descriptions.
 The peripheral registers have to be accessed by half-words (16 bits) or words (32 bits).

18.6.1 Control register (WWDG_CR)

Address offset: 0x00

Reset value: 0x0000 007F

31	30	29	28	27	26	25	24	23	22	21	20	19	18	17	16
Reserved															
15	14	13	12	11	10	9	8	7	6	5	4	3	2	1	0
Reserved								WDGA	T[6:0]						
								rs	rw						

Bits 31:8 Reserved, must be kept at reset value.

Bit 7 **WDGA**: Activation bit

This bit is set by software and only cleared by hardware after a reset. When WDGA = 1, the watchdog can generate a reset.

- 0: Watchdog disabled
- 1: Watchdog enabled

Bits 6:0 **T[6:0]**: 7-bit counter (MSB to LSB)

These bits contain the value of the watchdog counter. It is decremented every $(4096 \times 2^{WDGTB[1:0]})$ PCLK1 cycles. A reset is produced when it rolls over from 0x40 to 0x3F (T6 becomes cleared).

18.6.2 Configuration register (WWDG_CFR)

Address offset: 0x04

Reset value: 0x0000 007F

31	30	29	28	27	26	25	24	23	22	21	20	19	18	17	16
Reserved															
15	14	13	12	11	10	9	8	7	6	5	4	3	2	1	0
Reserved						EWI	WDGTB[1:0]	W[6:0]							
Reserved						rs	rw	rw							

Bit 31:10 Reserved, must be kept at reset value.

Bit 9 **EWI**: Early wake-up interrupt

When set, an interrupt occurs whenever the counter reaches the value 0x40. This interrupt is only cleared by hardware after a reset.

Bits 8:7 **WDGTB[1:0]**: Timer base

The time base of the prescaler can be modified as follows:

- 00: CK Counter Clock (PCLK1 div 4096) div 1
- 01: CK Counter Clock (PCLK1 div 4096) div 2
- 10: CK Counter Clock (PCLK1 div 4096) div 4
- 11: CK Counter Clock (PCLK1 div 4096) div 8

Bits 6:0 **W[6:0]**: 7-bit window value

These bits contain the window value to be compared to the downcounter.

18.6.3 Status register (WWDG_SR)

Address offset: 0x08

Reset value: 0x0000 0000

31	30	29	28	27	26	25	24	23	22	21	20	19	18	17	16
Reserved															
15	14	13	12	11	10	9	8	7	6	5	4	3	2	1	0
Reserved														EWIF	
Reserved														rc_w0	

Bits 31:1 Reserved, must be kept at reset value.

Bit 0 **EWIF**: Early wake-up interrupt flag

This bit is set by hardware when the counter has reached the value 0x40. It must be cleared by software by writing '0'. A write of '1' has no effect. This bit is also set if the interrupt is not enabled.

18.6.4 WWDG register map

The following table gives the WWDG register map and reset values.

Table 72. WWDG register map and reset values

Offset	Register	31	30	29	28	27	26	25	24	23	22	21	20	19	18	17	16	15	14	13	12	11	10	9	8	7	6	5	4	3	2	1	0
0x00	WWDG_CR	Reserved																							WDGA	T[6:0]							
	Reset value																								0	1	1	1	1	1	1	1	
0x04	WWDG_CFR	Reserved																							EWI	WDGTB1	WDGTB0	W[6:0]					
	Reset value																								0	0	0	1	1	1	1	1	1
0x08	WWDG_SR	Reserved																										EWIF					
	Reset value																											0					

Refer to [Section 3.3: Memory map](#) for the register boundary addresses.

19 Cryptographic processor (CRYP)

This section applies to the whole STM32F20x and STM32F21x family, unless otherwise specified.

19.1 CRYP introduction

The cryptographic processor can be used to both encipher and decipher data using the DES, Triple-DES or AES (128, 192, or 256) algorithms. It is a fully compliant implementation of the following standards:

- The data encryption standard (DES) and Triple-DES (TDES) as defined by Federal Information Processing Standards Publication (FIPS PUB 46-3, 1999 October 25). It follows the American National Standards Institute (ANSI) X9.52 standard.
- The advanced encryption standard (AES) as defined by Federal Information Processing Standards Publication (FIPS PUB 197, 2001 November 26)

The CRYP processor performs data encryption and decryption using DES and TDES algorithms in Electronic codebook (ECB) or Cipher block chaining (CBC) mode.

The CRYP peripheral is a 32-bit AHB2 peripheral. It supports DMA transfer for incoming and processed data, and has input and output FIFOs (each 8 words deep).

19.2 CRYP main features

- Suitable for AES, DES and TDES enciphering and deciphering operations
- AES
 - Supports the ECB, CBC, CTR chaining algorithms
 - Supports 128-, 192- and 256-bit keys
 - 4 × 32-bit initialization vectors (IV) used in the CBC, CTR modes

Table 73. Number of cycles required to process each 128-bit block

Algorithm / Key size	ECB	CBC	CTR
128b	14	14	14
192b	16	16	16
256b	18	18	18

- DES/TDES
 - Direct implementation of simple DES algorithms (a single key, K1, is used)
 - Supports the ECB and CBC chaining algorithms
 - Supports 64-, 128- and 192-bit keys (including parity)
 - 2 × 32-bit initialization vectors (IV) used in the CBC mode
 - 16 HCLK cycles to process one 64-bit block in DES
 - 48 HCLK cycles to process one 64-bit block in TDES
- Common to DES/TDES and AES
 - IN and OUT FIFO (each with an 8-word depth, a 32-bit width, corresponding to 4 DES blocks or 2 AES blocks)
 - Automatic data flow control with support of direct memory access (DMA) (using 2 channels, one for incoming data the other for processed data)
 - Data swapping logic to support 1-, 8-, 16- or 32-bit data

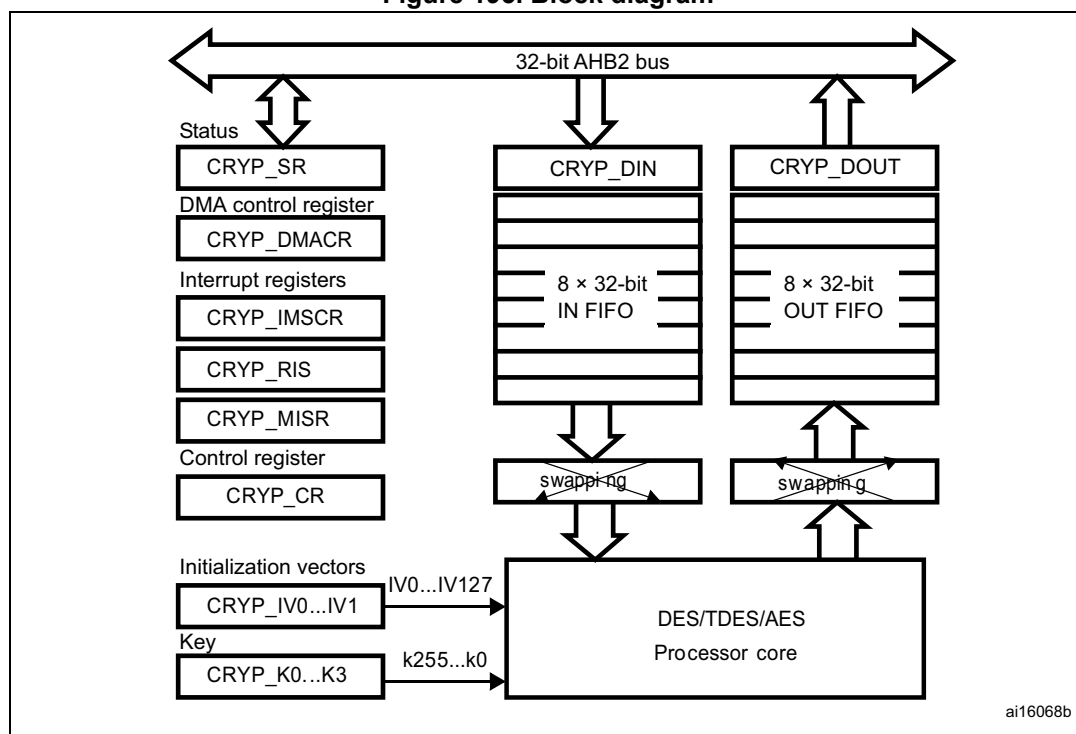
19.3 CRYP functional description

The cryptographic processor implements a Triple-DES (TDES, that also supports DES) core and an AES cryptographic core. [Section 19.3.1](#) and [Section 19.3.2](#) provide details on these cores.

Since the TDES and the AES algorithms use block ciphers, incomplete input data blocks have to be padded prior to encryption (extra bits should be appended to the trailing end of the data string). After decryption, the padding has to be discarded. The hardware does not manage the padding operation, the software has to handle it.

[Figure 195](#) shows the block diagram of the cryptographic processor.

Figure 195. Block diagram



19.3.1 DES/TDES cryptographic core

The DES/Triple-DES cryptographic core consists of three components:

- The DES algorithm (DEA)
- Multiple keys (1 for the DES algorithm, 1 to 3 for the TDES algorithm)
- The initialization vector (used in the CBC mode)

The basic processing involved in the TDES is as follows: an input block is read in the DEA and encrypted using the first key, K1 (K0 is not used in TDES mode). The output is then decrypted using the second key, K2, and encrypted using the third key, K3. The key depends on the algorithm which is used:

- DES mode: Key = [K1]
- TDES mode: Key = [K3 K2 K1]

where $K_x = [K_{xR} K_{xL}]$, R = right, L = left

According to the mode implemented, the resultant output block is used to calculate the ciphertext.

Note that the outputs of the intermediate DEA stages is never revealed outside the cryptographic boundary.

The TDES allows three different keying options:

- Three independent keys
The first option specifies that all the keys are independent, that is, K1, K2 and K3 are independent. FIPS PUB 46-3 – 1999 (and ANSI X9.52 – 1998) refers to this option as the Keying Option 1 and, to the TDES as 3-key TDES.
- Two independent keys
The second option specifies that K1 and K2 are independent and K3 is equal to K1, that is, K1 and K2 are independent, K3 = K1. FIPS PUB 46-3 – 1999 (and ANSI X9.52 – 1998) refers to this second option as the Keying Option 2 and, to the TDES as 2-key TDES.
- Three equal keys
The third option specifies that K1, K2 and K3 are equal, that is, K1 = K2 = K3. FIPS PUB 46-3 – 1999 (and ANSI X9.52 – 1998) refers to the third option as the Keying Option 3. This “1-key” TDES is equivalent to single DES.

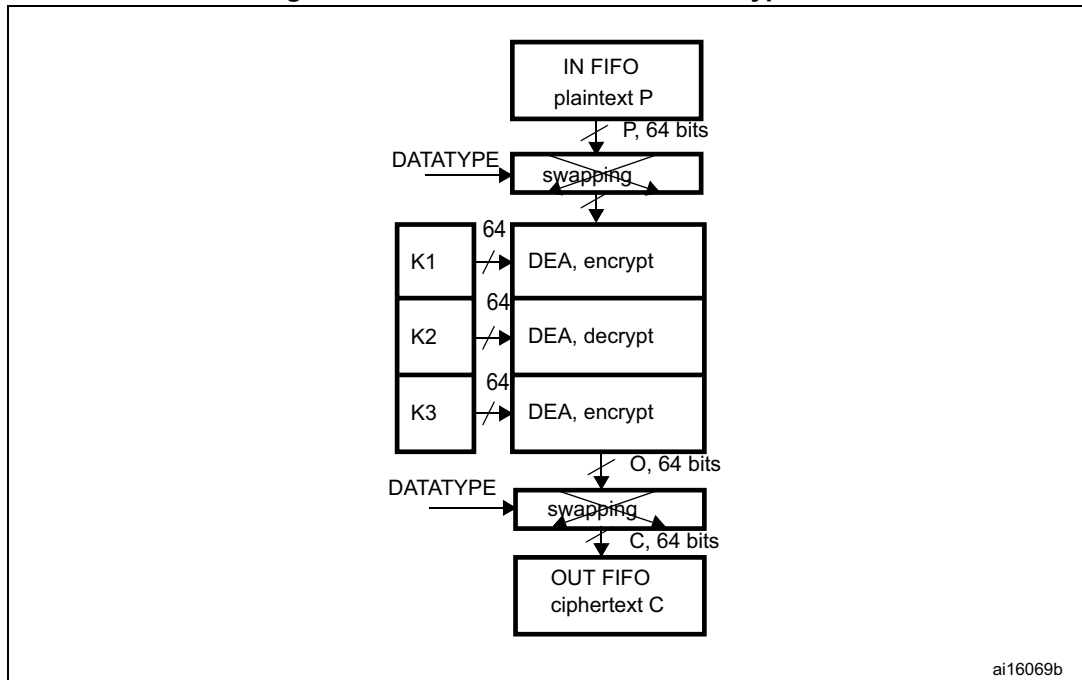
FIPS PUB 46-3 – 1999 (and ANSI X9.52-1998) provides a thorough explanation of the processing involved in the four operation modes supplied by the TDEA (TDES algorithm): TDES-ECB encryption, TDES-ECB decryption, TDES-CBC encryption and TDES-CBC decryption.

This reference manual only gives a brief explanation of each mode.

DES and TDES Electronic codebook (DES/TDES-ECB) mode

- DES/TDES-ECB mode encryption
Figure 196 illustrates the encryption in DES and TDES Electronic codebook (DES/TDES-ECB) mode. A 64-bit plaintext data block (P) is used after bit/byte/half-word swapping (refer to [Section 19.3.3: Data type on page 513](#)) as the input block (I). The input block is processed through the DEA in the encrypt state using K1. The output of this process is fed back directly to the input of the DEA where the DES is performed in the decrypt state using K2. The output of this process is fed back directly to the input of the DEA where the DES is performed in the encrypt state using K3. The resultant 64-bit output block (O) is used, after bit/byte/half-word swapping, as ciphertext (C) and it is pushed into the OUT FIFO.
- DES/TDES-ECB mode decryption
Figure 197 illustrates the DES/TDES-ECB decryption. A 64-bit ciphertext block (C) is used, after bit/byte/half-word swapping, as the input block (I). The keying sequence is reversed compared to that used in the encryption process. The input block is processed through the DEA in the decrypt state using K3. The output of this process is fed back directly to the input of the DEA where the DES is performed in the encrypt state using K2. The new result is directly fed to the input of the DEA where the DES is performed in the decrypt state using K1. The resultant 64-bit output block (O), after bit/byte/half-word swapping, produces the plaintext (P).

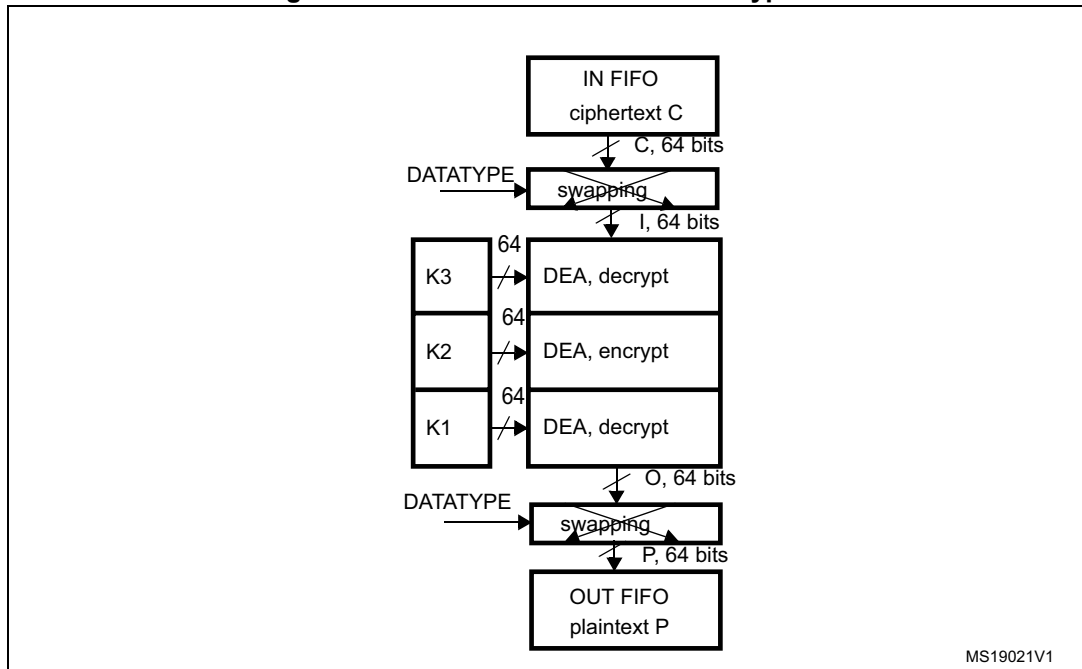
Figure 196. DES/TDES-ECB mode encryption



ai16069b

1. K: key; C: cipher text; I: input block; O: output block; P: plain text.

Figure 197. DES/TDES-ECB mode decryption



MS19021V1

1. K: key; C: cipher text; I: input block; O: output block; P: plain text.

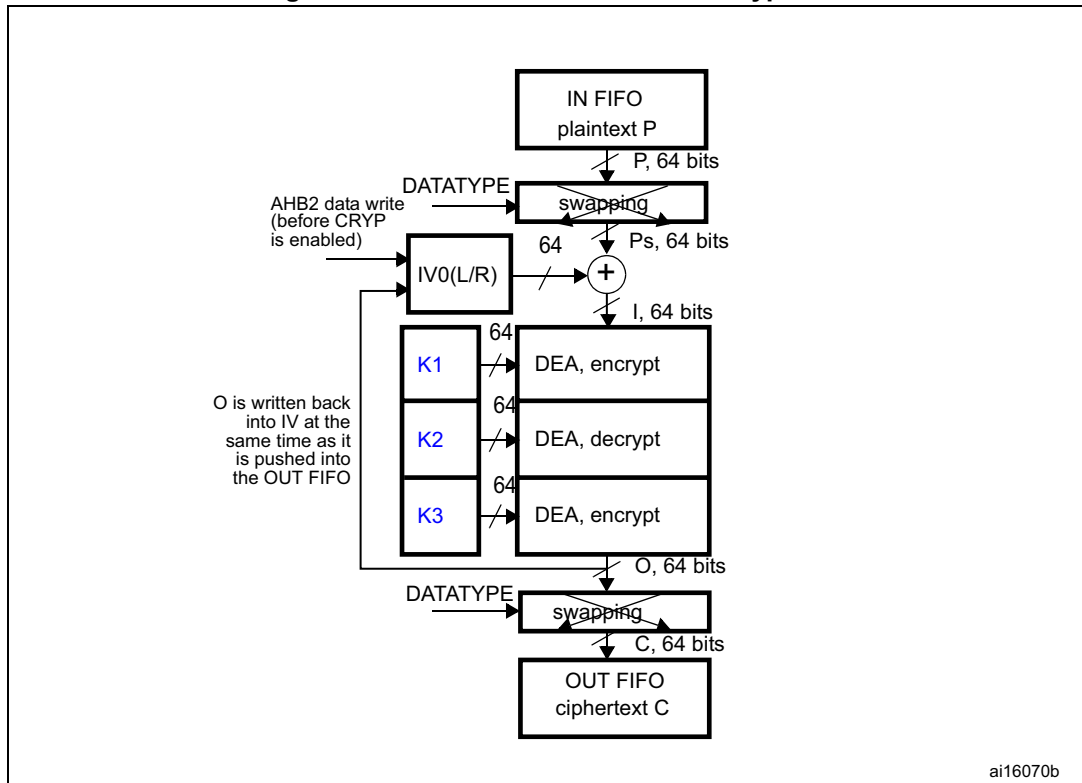
DES and TDES Cipher block chaining (DES/TDES-CBC) mode

- DES/TDES-CBC mode encryption

Figure 198 illustrates the DES and Triple-DES Cipher block chaining (DES/TDES-CBC) mode encryption. This mode begins by dividing a plaintext message into 64-bit data blocks. In TCBC encryption, the first input block (I_1), obtained after bit/byte/half-word swapping (refer to [Section 19.3.3: Data type on page 513](#)), is formed by exclusive-ORing the first plaintext data block (P_1) with a 64-bit initialization vector IV ($I_1 = IV \oplus P_1$). The input block is processed through the DEA in the encrypt state using K1. The output of this process is fed back directly to the input of the DEA, which performs the DES in the decrypt state using K2. The output of this process is fed directly to the input of the DEA, which performs the DES in the encrypt state using K3. The resultant 64-bit output block (O_1) is used directly as the ciphertext (C_1), that is, $C_1 = O_1$. This first ciphertext block is then exclusive-ORed with the second plaintext data block to produce the second input block, ($I_2 = C_1 \oplus P_2$). Note that I_2 and P_2 now refer to the second block. The second input block is processed through the TDEA to produce the second ciphertext block. This encryption process continues to “chain” successive cipher and plaintext blocks together until the last plaintext block in the message is encrypted. If the message does not consist of an integral number of data blocks, then the final partial data block should be encrypted in a manner specified for the application.
- DES/TDES-CBC mode decryption

In DES/TDES-CBC decryption (see *Figure 199*), the first ciphertext block (C_1) is used directly as the input block (I_1). The keying sequence is reversed compared to that used for the encrypt process. The input block is processed through the DEA in the decrypt state using K3. The output of this process is fed directly to the input of the DEA where the DES is processed in the encrypt state using K2. This resulting value is directly fed to the input of the DEA where the DES is processed in the decrypt state using K1. The resulting output block is exclusive-ORed with the IV (which must be the same as that used during encryption) to produce the first plaintext block ($P_1 = O_1 \oplus IV$). The second ciphertext block is then used as the next input block and is processed through the TDEA. The resulting output block is exclusive-ORed with the first ciphertext block to produce the second plaintext data block ($P_2 = O_2 \oplus C_1$). (Note that P_2 and O_2 refer to the second block of data.) The TCBC decryption process continues in this manner until the last complete ciphertext block has been decrypted. Ciphertext representing a partial data block must be decrypted in a manner specified for the application.

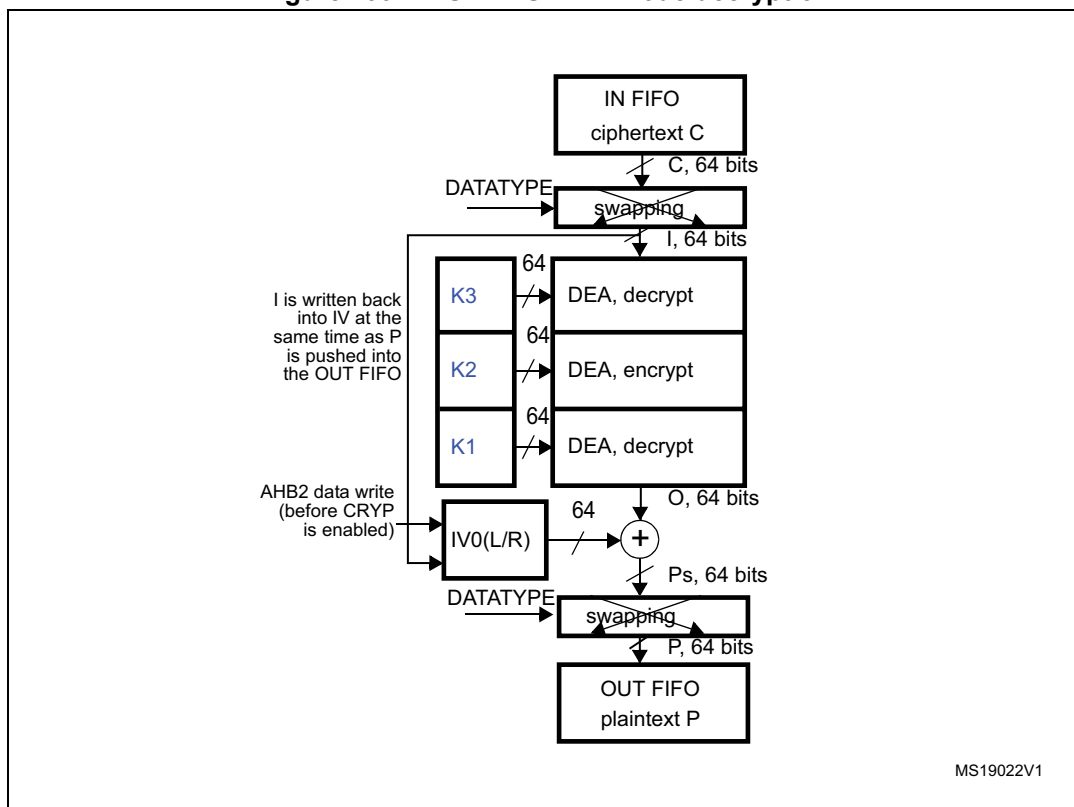
Figure 198. DES/TDES-CBC mode encryption



ai16070b

1. K: key; C: cipher text; I: input block; O: output block; Ps: plain text before swapping (when decoding) or after swapping (when encoding); P: plain text; IV: initialization vectors.

Figure 199. DES/TDES-CBC mode decryption



1. K: key; C: cipher text; I: input block; O: output block; Ps: plain text before swapping (when decoding) or after swapping (when encoding); P: plain text; IV: initialization vectors.

19.3.2 AES cryptographic core

The AES cryptographic core consists of three components:

- The AES algorithm (AEA: advanced encryption algorithm)
- Multiple keys
- Initialization vector(s) or Nonce

The AES utilizes keys of 3 possible lengths: 128, 192 or 256 bits and, depending on the operation mode used, zero or one 128-bit initialization vector (IV).

The basic processing involved in the AES is as follows: an input block of 128 bits is read from the input FIFO and sent to the AEA to be encrypted using the key (K0...3). The key format depends on the key size:

- If Key size = 128: Key = [K3 K2]
- If Key size = 192: Key = [K3 K2 K1]
- If Key size = 256: Key = [K3 K2 K1 K0]

where $K_x = [K_{xR} K_{xL}]$, R=right, L=left

According to the mode implemented, the resultant output block is used to calculate the ciphertext.

FIPS PUB 197 (November 26, 2001) provides a thorough explanation of the processing involved in the four operation modes supplied by the AES core: AES-ECB encryption, AES-

ECB decryption, AES-CBC encryption and AES-CBC decryption. This reference manual only gives a brief explanation of each mode.

AES Electronic codebook (AES-ECB) mode

- AES-ECB mode encryption

Figure 200 illustrates the AES Electronic codebook (AES-ECB) mode encryption.

In AES-ECB encryption, a 128-bit plaintext data block (P) is used after bit/byte/half-word swapping (refer to Section 19.3.3: Data type on page 513) as the input block (I). The input block is processed through the AEA in the encrypt state using the 128, 192 or 256-bit key. The resultant 128-bit output block (O) is used after bit/byte/half-word swapping as ciphertext (C). It is then pushed into the OUT FIFO.

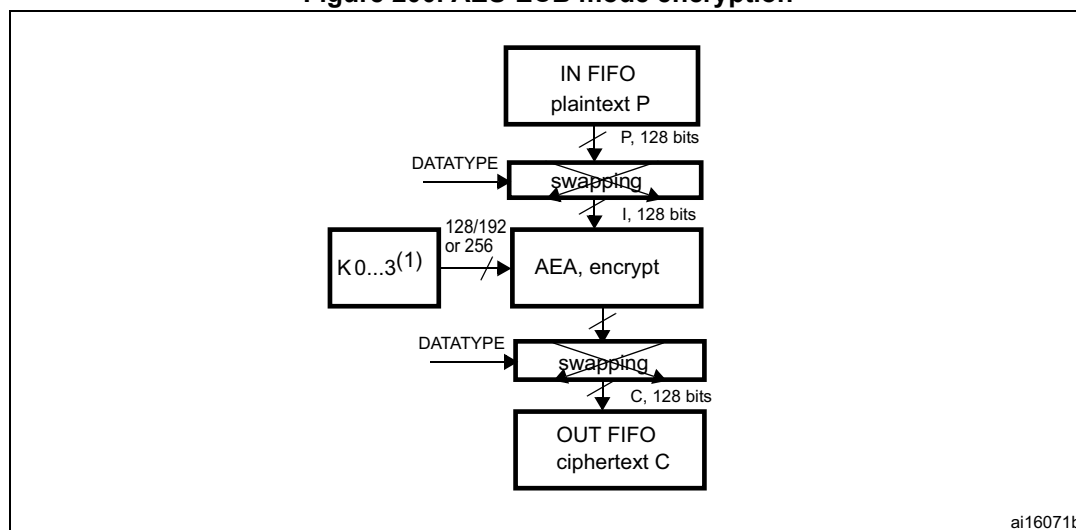
- AES-ECB mode decryption

Figure 201 illustrates the AES Electronic codebook (AES-ECB) mode encryption.

To perform an AES decryption in the ECB mode, the secret key has to be prepared (it is necessary to execute the complete key schedule for encryption) by collecting the last round key, and using it as the first round key for the decryption of the ciphertext. This preparation function is computed by the AES core. Refer to Section 19.3.6: Procedure to perform an encryption or a decryption for more details on how to prepare the key.

In AES-ECB decryption, a 128-bit ciphertext block (C) is used after bit/byte/half-word swapping as the input block (I). The keying sequence is reversed compared to that of the encryption process. The resultant 128-bit output block (O), after bit/byte or half-word swapping, produces the plaintext (P).

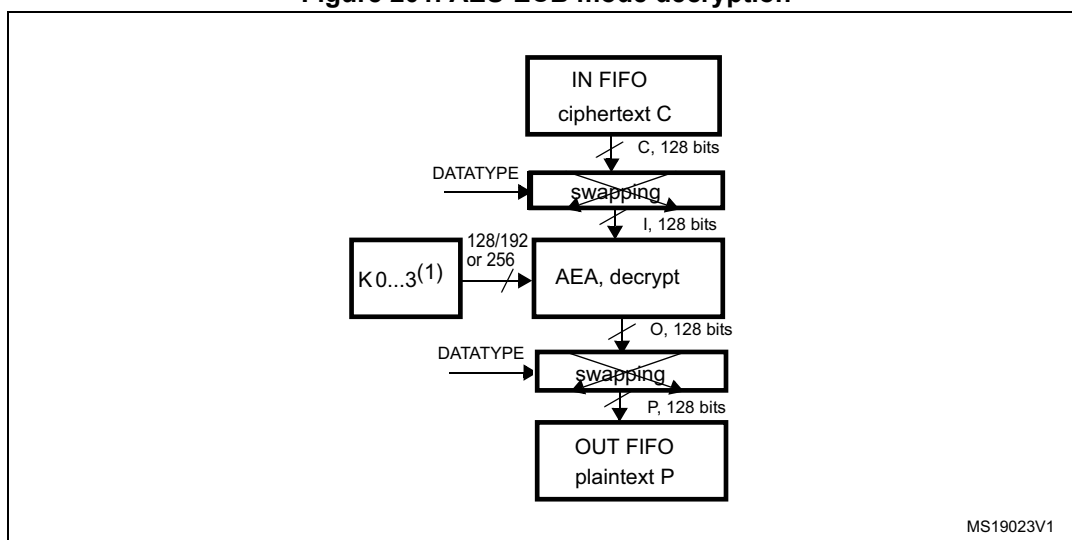
Figure 200. AES-ECB mode encryption



ai16071b

1. K: key; C: cipher text; I: input block; O: output block; P: plain text.
2. If Key size = 128: Key = [K3 K2].
 If Key size = 192: Key = [K3 K2 K1].
 If Key size = 256: Key = [K3 K2 K1 K0].

Figure 201. AES-ECB mode decryption



MS19023V1

1. K: key; C: cipher text; I: input block; O: output block; P: plain text.
2. If Key size = 128 => Key = [K3 K2].
 If Key size = 192 => Key = [K3 K2 K1].
 If Key size = 256 => Key = [K3 K2 K1 K0].

AES Cipher block chaining (AES-CBC) mode

- AES-CBC mode encryption

The AES Cipher block chaining (AES-CBC) mode decryption is shown on [Figure 202](#).

In AES-CBC encryption, the first input block (I_1) obtained after bit/byte/half-word swapping (refer to [Section 19.3.3: Data type on page 513](#)) is formed by exclusive-ORing the first plaintext data block (P_1) with a 128-bit initialization vector IV ($I_1 = IV \oplus P_1$). The input block is processed through the AEA in the encrypt state using the 128-, 192- or 256-bit key ($K_0...K_3$). The resultant 128-bit output block (O_1) is used directly as ciphertext (C_1), that is, $C_1 = O_1$. This first ciphertext block is then exclusive-ORed with the second plaintext data block to produce the second input block, ($I_2 = C_1 \oplus P_2$). Note that I_2 and P_2 now refer to the second block. The second input block is processed through the AEA to produce the second ciphertext block. This encryption process continues to “chain” successive cipher and plaintext blocks together until the last plaintext block in the message is encrypted. If the message does not consist of an integral number of data blocks, then the final partial data block should be encrypted in a manner specified for the application.

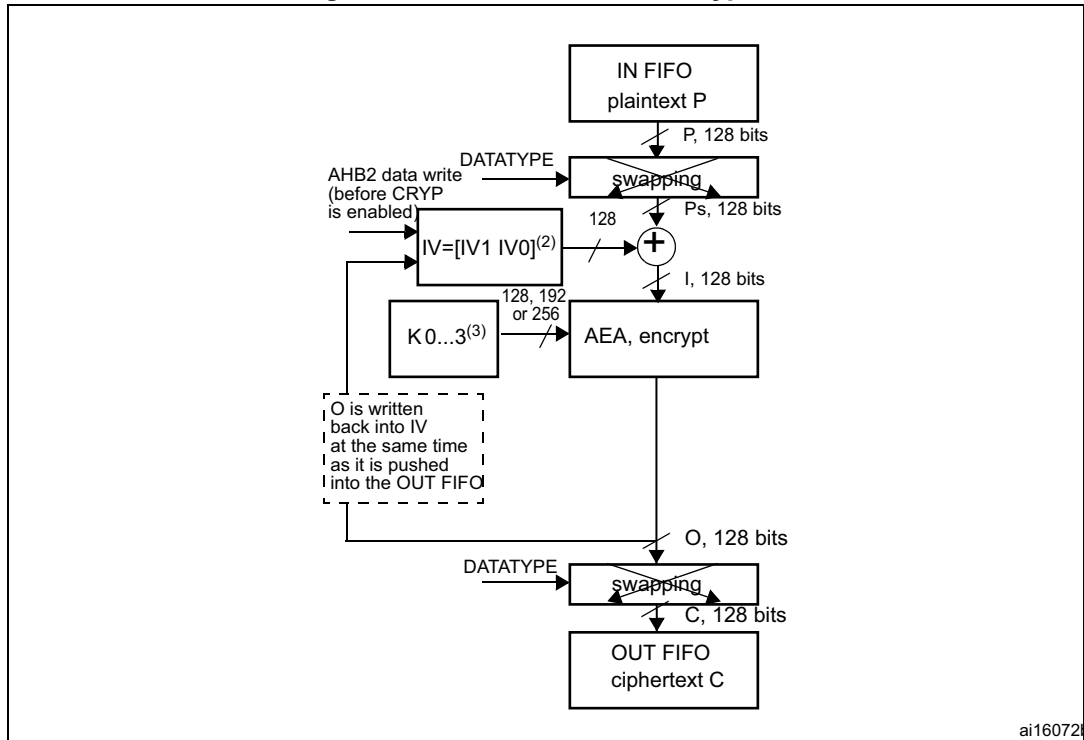
In the CBC mode, like in the ECB mode, the secret key must be prepared to perform an AES decryption. Refer to [Section 19.3.6: Procedure to perform an encryption or a decryption on page 518](#) for more details on how to prepare the key.

- AES-CBC mode decryption

In AES-CBC decryption (see [Figure 203](#)), the first 128-bit ciphertext block (C_1) is used directly as the input block (I_1). The input block is processed through the AEA in the decrypt state using the 128-, 192- or 256-bit key. The resulting output block is exclusive-ORed with the 128-bit initialization vector IV (which must be the same as that used during encryption) to produce the first plaintext block ($P_1 = O_1 \oplus IV$). The second ciphertext block is then used as the next input block and is processed through the AEA. The resulting output block is exclusive-ORed with the first ciphertext block to produce the second plaintext data block ($P_2 = O_2 \oplus C_1$). (Note that P_2 and O_2 refer to the second

block of data.) The AES-CBC decryption process continues in this manner until the last complete ciphertext block has been decrypted. Ciphertext representing a partial data block must be decrypted in a manner specified for the application.

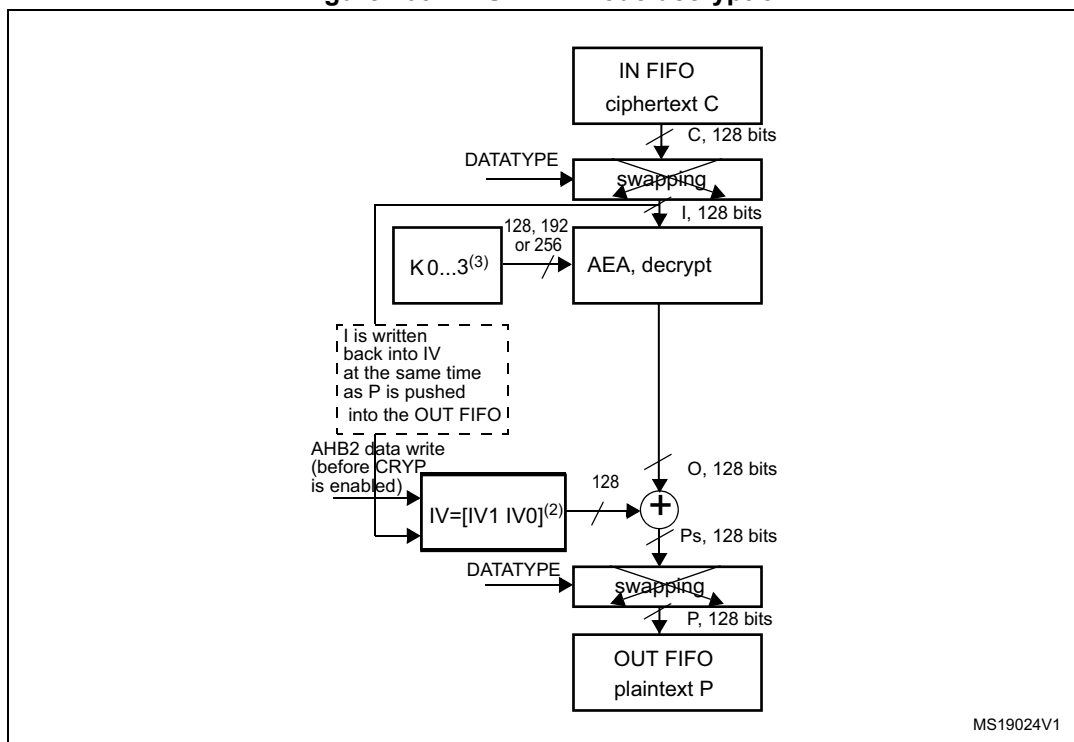
Figure 202. AES-CBC mode encryption



ai16072

1. K: key; C: cipher text; I: input block; O: output block; Ps: plain text before swapping (when decoding) or after swapping (when encoding); P: plain text; IV: Initialization vectors.
2. IVx=[IVxR IVxL], R=right, L=left.
3. If Key size = 128 => Key = [K3 K2].
 If Key size = 192 => Key = [K3 K2 K1]
 If Key size = 256 => Key = [K3 K2 K1 K0].

Figure 203. AES-CBC mode decryption



MS19024V1

1. K: key; C: cipher text; I: input block; O: output block; Ps: plain text before swapping (when decoding) or after swapping (when encoding); P: plain text; IV: Initialization vectors.
2. $IV_x = [IV_xR \ IV_xL]$, R=right, L=left.
3. If Key size = 128 => Key = [K3 K2].
 If Key size = 192 => Key = [K3 K2 K1]
 If Key size = 256 => Key = [K3 K2 K1 K0].

AES counter mode (AES-CTR) mode

The AES counter mode uses the AES block as a key stream generator. The generated keys are then XORed with the plaintext to obtain the cipher. For this reason, it makes no sense to speak of different CTR encryption/decryption, since the two operations are exactly the same.

In fact, given:

- Plaintext: P[0], P[1], ..., P[n] (128 bits each)
- A key K to be used (the size does not matter)
- An initial counter block (call it ICB but it has the same functionality as the IV of CBC)

The cipher is computed as follows:

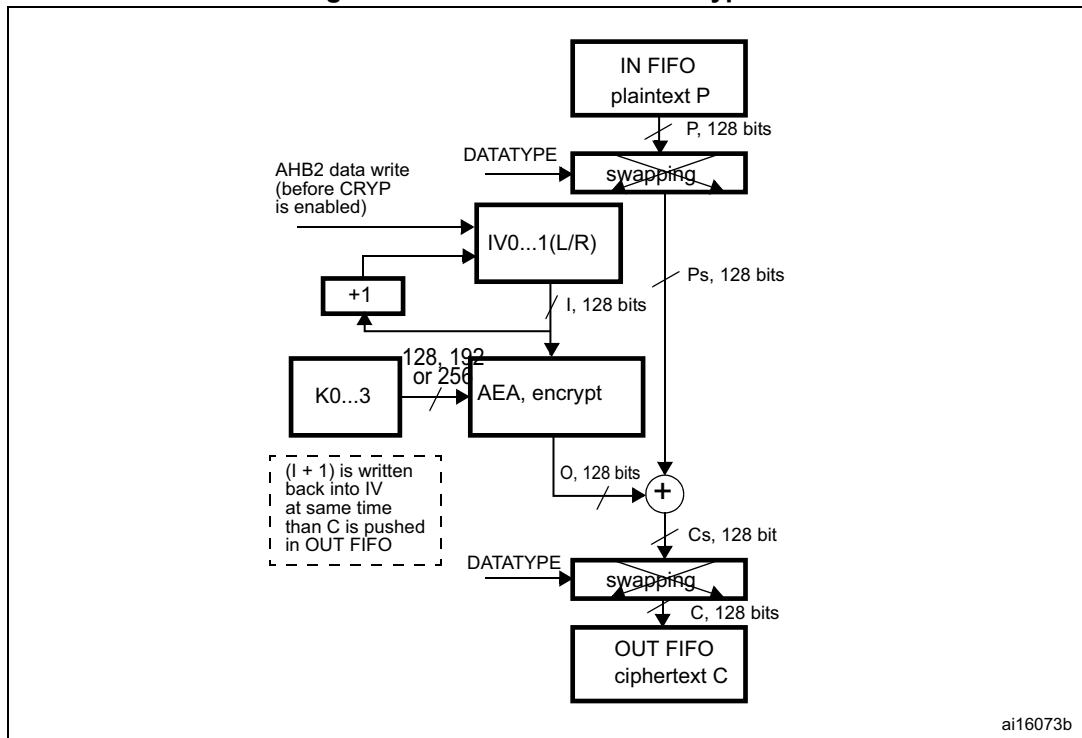
$C[i] = \text{enck}(iv[i]) \text{ xor } P[i]$, where:

$iv[0] = \text{ICB}$ and $iv[i+1] = \text{func}(iv[i])$, where **func** is an update function applied to the previous iv block; **func** is basically an increment of one of the fields composing the iv block.

Given that the ICB for decryption is the same as the one for encryption, the key stream generated during decryption is the same as the one generated during encryption. Then, the ciphertext is XORed with the key stream in order to retrieve the original plaintext. The decryption operation therefore acts exactly in the same way as the encryption operation.

Figure 204 and Figure 205 illustrate AES-CTR encryption and decryption, respectively.

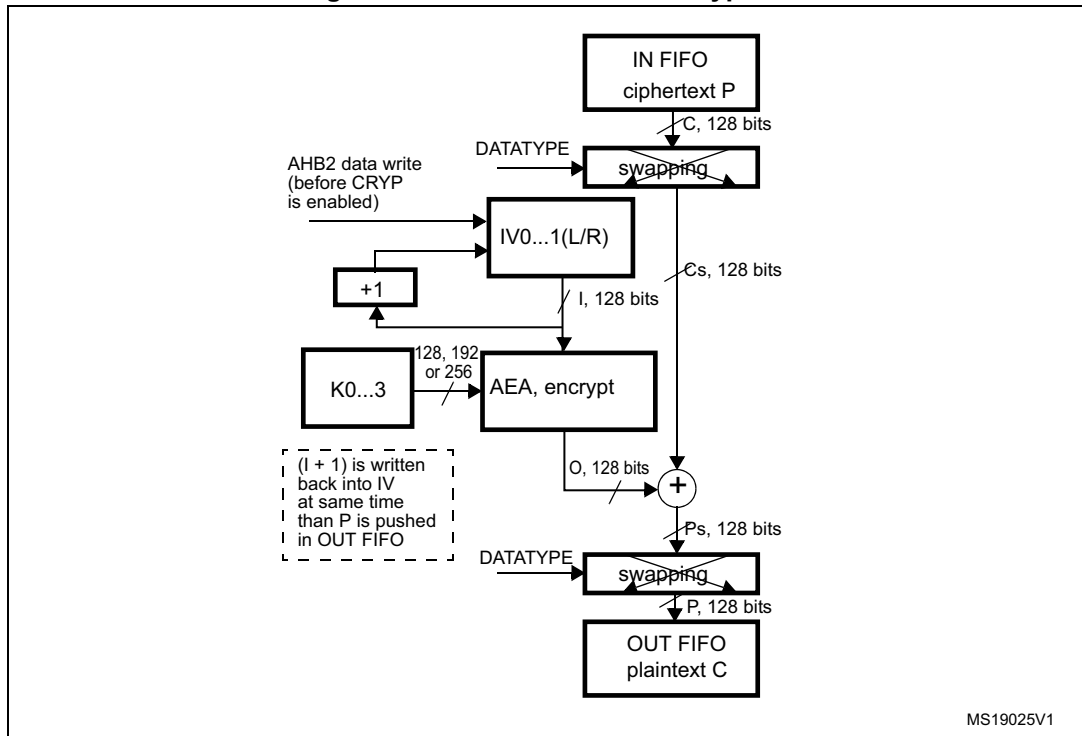
Figure 204. AES-CTR mode encryption



ai16073b

1. K: key; C: cipher text; I: input Block; o: output block; Ps: plain text before swapping (when decoding) or after swapping (when encoding); Cs: cipher text after swapping (when decoding) or before swapping (when encoding); P: plain text; IV: Initialization vectors.

Figure 205. AES-CTR mode decryption

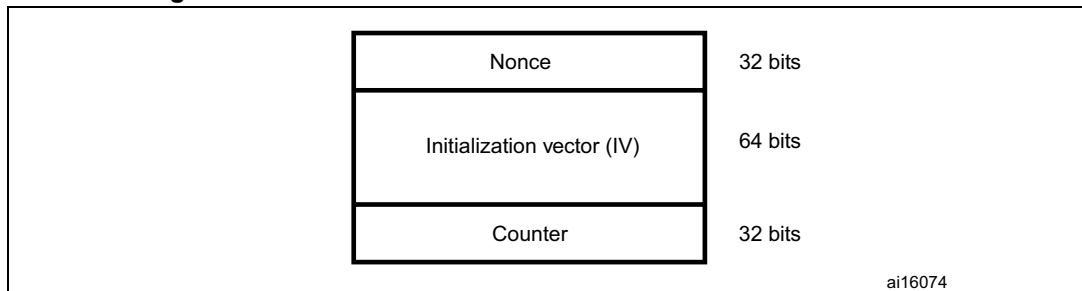


MS19025V1

1. K: key; C: cipher text; I: input Block; o: output block; Ps: plain text before swapping (when decoding) or after swapping (when encoding); Cs: cipher text after swapping (when decoding) or before swapping (when encoding); P: plain text; IV: Initialization vectors.

Figure 206 shows the structure of the IV block as defined by the standard [2]. It is composed of three distinct fields.

Figure 206. Initial counter block structure for the Counter mode



ai16074

- Nonce is a 32-bit, single-use value. A new nonce should be assigned to each different communication.
- The initialization vector (IV) is a 64-bit value and the standard specifies that the encryptor must choose IV so as to ensure that a given value is used only once for a given key
- The counter is a 32-bit big-endian integer that is incremented each time a block has been encrypted. The initial value of the counter should be set to '1'.

The block increments the least significant 32 bits, while it leaves the other (most significant) 96 bits unchanged.

19.3.3 Data type

Data enter the CRYP processor 32 bits (word) at a time as they are written into the CRYP_DIN register. The principle of the DES is that streams of data are processed 64 bits by 64 bits and, for each 64-bit block, the bits are numbered from M1 to M64, with M1 the left-most bit and M64 the right-most bit of the block. The same principle is used for the AES, but with a 128-bit block size.

The system memory organization is little-endian: whatever the data type (bit, byte, 16-bit half-word, 32-bit word) used, the least-significant data occupy the lowest address locations. A bit, byte, or half-word swapping operation (depending on the kind of data to be encrypted) therefore has to be performed on the data read from the IN FIFO before they enter the CRYP processor. The same swapping operation should be performed on the CRYP data before they are written into the OUT FIFO. For example, the operation would be byte swapping for an ASCII text stream.

The kind of data to be processed is configured with the DATATYPE bitfield in the CRYP control register (CRYP_CR).

Table 74. Data types

DATATYPE in CRYP_CR	Swapping performed	System memory data (plaintext or cypher)
00b	No swapping	<p>Example: TDES block value 0xABCD77206973FE01 is represented in system memory as:</p> <p>TDES block size = 64bit = 2x 32 bit</p> <p>system memory</p> <p>0xABCD7720 @</p> <p>0x6973FE01 @+4</p>
01b	Half-word (16-bit) swapping	<p>Example: TDES block value 0xABCD77206973FE01 is represented in system memory as:</p> <p>TDES block size = 64bit = 2x 32 bit</p> <p>system memory</p> <p>0x7720ABCD @</p> <p>0xFE016973 @+4</p>

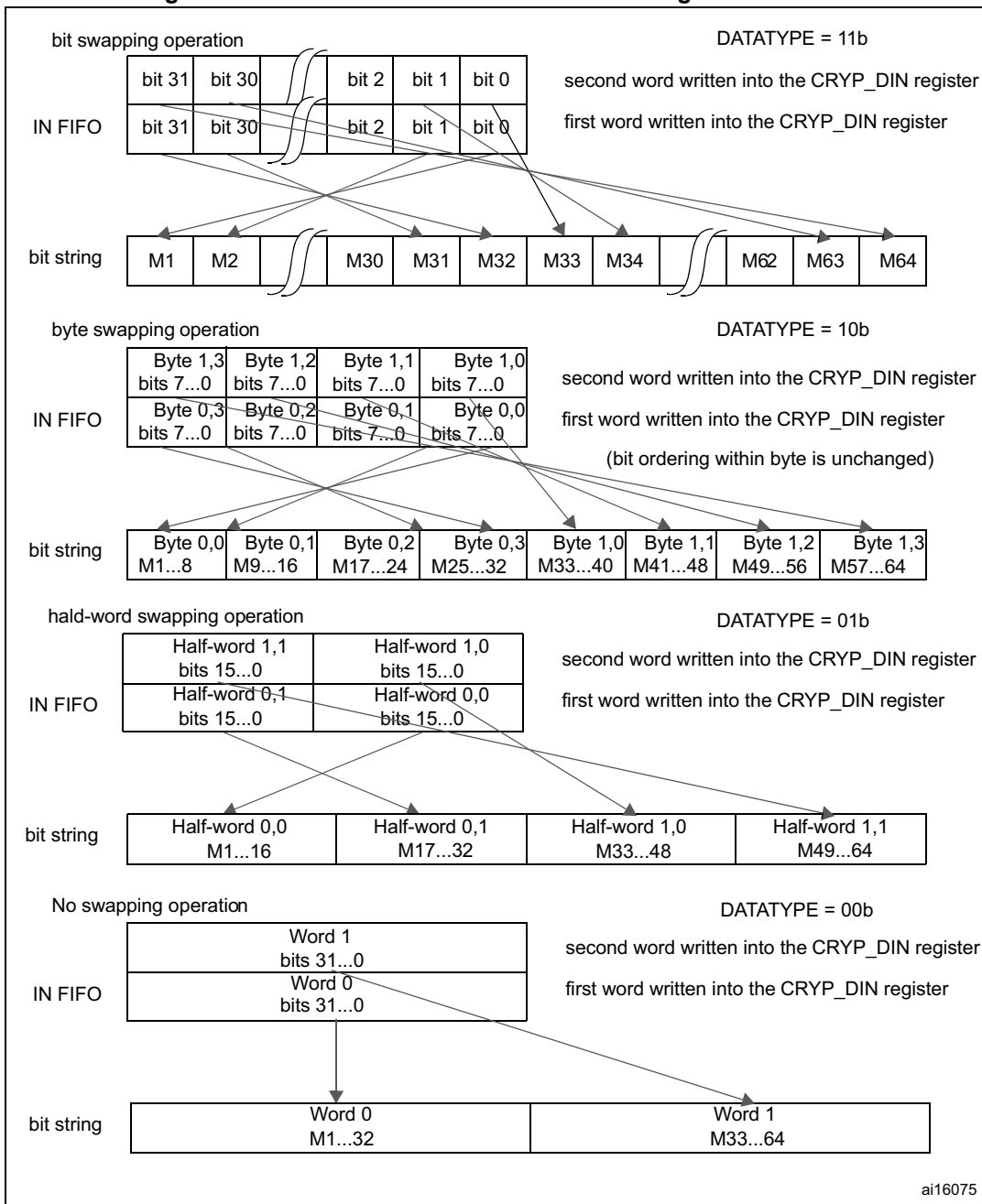
Table 74. Data types

DATATYPE in CRYP_CR	Swapping performed	System memory data (plaintext or cypher)
10b	Byte (8-bit) swapping	<p>Example: TDES block value 0xABCD77206973FE01 is represented in system memory as:</p> <p>TDES block size = 64bit = 2x 32 bit</p>
11b	Bit swapping	<p>TDES block value 0x4E6F772069732074 is represented in system memory as:</p> <p>TDES Bloc size = 64bit = 2x 32 bit</p>

Figure 207 shows how the 64-bit data block M1...64 is constructed from two consecutive 32-bit words popped off the IN FIFO by the CRYP processor, according to the DATATYPE value. The same schematic can easily be extended to form the 128-bit block for the AES cryptographic algorithm (for the AES, the block length is four 32-bit words, but swapping only takes place at word level, so it is identical to the one described here for the TDES).

Note: The same swapping is performed between the IN FIFO and the CRYP data block, and between the CRYP data block and the OUT FIFO.

Figure 207. 64-bit block construction according to DATATYPE



19.3.4 Initialization vectors - CRYP_IV0...1(L/R)

Initialization vectors are considered as two 64-bit data items. They therefore do not have the same data format and representation in system memory as plaintext or cypher data, and they are not affected by the DATATYPE value.

Initialization vectors are defined by two consecutive 32-bit words, CRYP_IVL (left part, noted as bits IV1...32) and CRYP_IVR (right part, noted as bits IV33...64).

During the DES or TDES CBC encryption, the CRYP_IV0(L/R) bits are XORed with the 64-bit data block popped off the IN FIFO after swapping (according to the DATATYPE value), that is, with the M1...64 bits of the data block. When the output of the DEA3 block is available, it is copied back into the CRYP_IV0(L/R) vector, and this new content is XORed with the next 64-bit data block popped off the IN FIFO, and so on.

During the DES or TDES CBC decryption, the CRYP_IV0(L/R) bits are XORed with the 64-bit data block (that is, with the M1...64 bits) delivered by the TDEA1 block before swapping (according to the DATATYPE value), and pushed into the OUT FIFO. When the XORed result is swapped and pushed into the OUT FIFO, the CRYP_IV0(L/R) value is replaced by the output of the IN FIFO, then the IN FIFO is popped, and a new 64-bit data block can be processed.

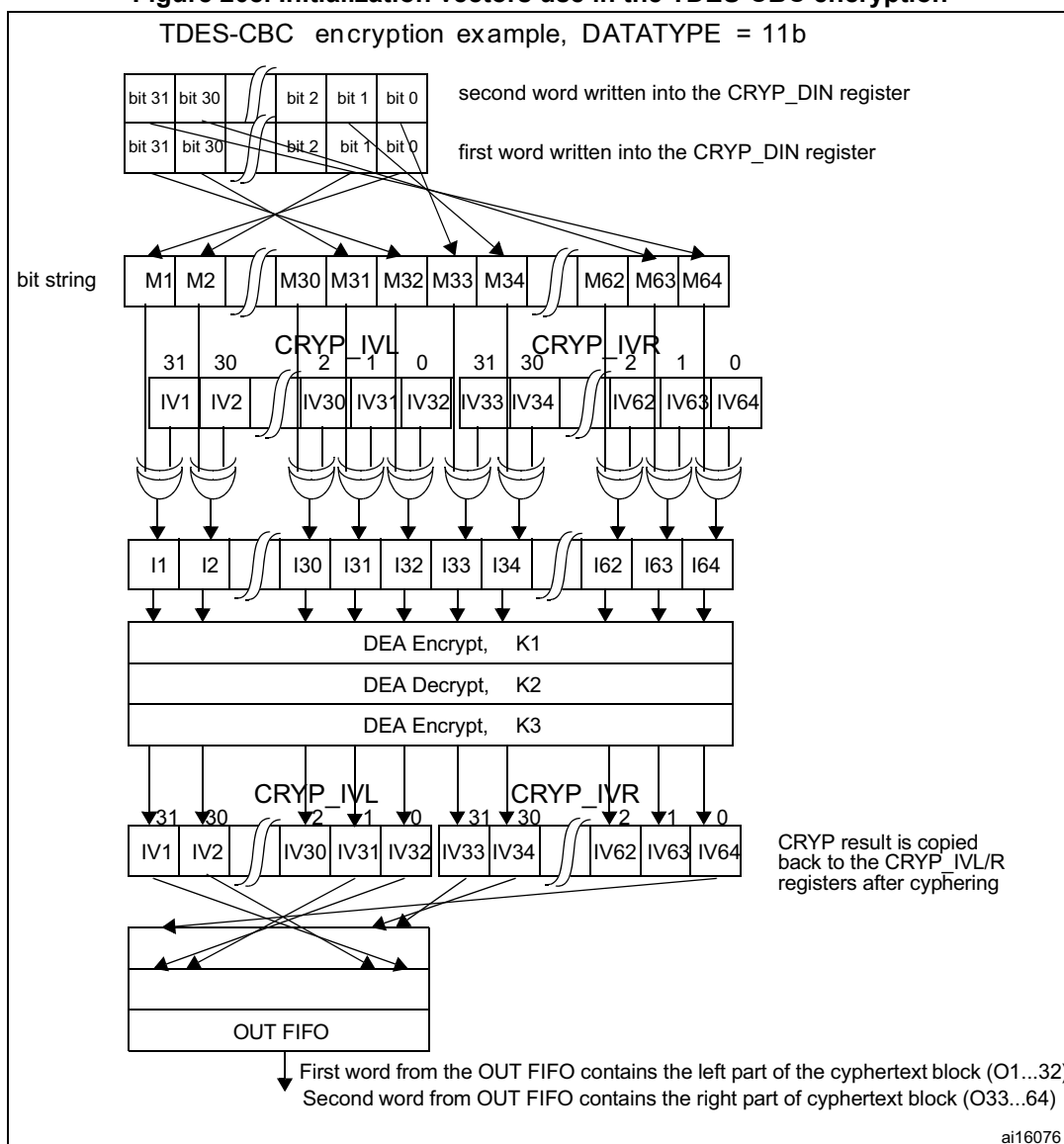
During the AES CBC encryption, the CRYP_IV0...1(L/R) bits are XORed with the 128-bit data block popped off the IN FIFO after swapping (according to the DATATYPE value). When the output of the AES core is available, it is copied back into the CRYP_IV0...1(L/R) vector, and this new content is XORed with the next 128-bit data block popped off the IN FIFO, and so on.

During the AES CBC decryption, the CRYP_IV0...1(L/R) bits are XORed with the 128-bit data block delivered by the AES core before swapping (according to the DATATYPE value) and pushed into the OUT FIFO. When the XORed result is swapped and pushed into the OUT FIFO, the CRYP_IV0...1(L/R) value is replaced by the output of the IN FIFO, then the IN FIFO is popped, and a new 128-bit data block can be processed.

During the AES CTR encryption or decryption, the CRYP_IV0...1(L/R) bits are encrypted by the AES core. Then the result of the encryption is XORed with the 128-bit data block popped off the IN FIFO after swapping (according to the DATATYPE value). When the XORed result is swapped and pushed into the OUT FIFO, the counter part of the CRYP_IV0...1(L/R) value (32 LSB) is incremented.

Any write operation to the CRYP_IV0...1(L/R) registers when bit BUSY = 1b in the CRYP_SR register is disregarded (CRYP_IV0...1(L/R) register content not modified). Thus, you must check that bit BUSY = 0b before modifying initialization vectors.

Figure 208. Initialization vectors use in the TDES-CBC encryption



19.3.5 CRYP busy state

When there is enough data in the input FIFO (at least 2 words for the DES or TDES algorithm mode, 4 words for the AES algorithm mode) and enough free-space in the output FIFO (at least 2 (DES/TDES) or 4 (AES) word locations), and when the bit CRYPEN = 1 in the CRYP_CR register, then the cryptographic processor automatically starts an encryption or decryption process (according to the value of the ALGODIR bit in the CRYP_CR register).

This process takes 48 AHB2 clock cycles for the Triple-DES algorithm, 16 AHB2 clock cycles for the simple DES algorithm, and 14, 16 or 18 AHB2 clock cycles for the AES with key lengths of 128, 192 or 256 bits, respectively. During the whole process, the BUSY bit in the CRYP_SR register is set to '1'. At the end of the process, two (DES/TDES) or four (AES) words are written by the CRYP Core into the output FIFO, and the BUSY bit is cleared. In

the CBC, CTR mode, the initialization vectors CRYP_IVx(L/R)R (x = 0..3) are updated as well.

A write operation to the key registers (CRYP_Kx(L/R)R, x = 0..3), the initialization registers (CRYP_IVx(L/R)R, x = 0..3), or to bits [9:2] in the CRYP_CR register are ignored when the cryptographic processor is busy (bit BUSY = 1b in the CRYP_SR register), and the registers are not modified. It is thus not possible to modify the configuration of the cryptographic processor while it is processing a block of data. It is however possible to clear the CRYPEN bit while BUSY = 1, in which case the ongoing DES, TDES or AES processing is completed and the two/four word results are written into the output FIFO, and then, only then, the BUSY bit is cleared.

Note: When a block is being processed in the DES or TDES mode, if the output FIFO becomes full and if the input FIFO contains at least one new block, then the new block is popped off the input FIFO and the BUSY bit remains high until there is enough space to store this new block into the output FIFO.

19.3.6 Procedure to perform an encryption or a decryption

Initialization

1. Initialize the peripheral (the order of operations is not important except for the key preparation for AES-ECB or AES-CBC decryption. The key size and the key value must be entered before preparing the key and the algorithm must be configured once the key has been prepared):
 - a) Configure the key size (128-, 192- or 256-bit, in the AES only) with the KEYSIZE bits in the CRYP_CR register
 - b) Write the symmetric key into the CRYP_KxL/R registers (2 to 8 registers to be written depending on the algorithm)
 - c) Configure the data type (1-, 8-, 16- or 32-bit), with the DATATYPE bits in the CRYP_CR register
 - d) In case of decryption in AES-ECB or AES-CBC, you must prepare the key: configure the key preparation mode by setting the ALGOMODE bits to '111' in the CRYP_CR register. Then write the CRYPEN bit to '1': the BUSY bit is set. Wait until BUSY returns to 0 (CRYPEN is automatically cleared as well): the key is prepared for decryption
 - e) Configure the algorithm and chaining (the DES/TDES in ECB/CBC, the AES in ECB/CBC/CTR) with the ALGOMODE bits in the CRYP_CR register
 - f) Configure the direction (encryption/decryption), with the ALGODIR bit in the CRYP_CR register
 - g) Write the initialization vectors into the CRYP_IVxL/R register (in CBC or CTR modes only)
2. Flush the IN and OUT FIFOs by writing the FFLUSH bit to 1 in the CRYP_CR register

Processing when the DMA is used to transfer the data from/to the memory

1. Configure the DMA controller to transfer the input data from the memory. The transfer length is the length of the message. As message padding is not managed by the peripheral, the message length must be an entire number of blocks. The data are transferred in burst mode. The burst length is 4 words in the AES and 2 or 4 words in

the DES/TDES. The DMA should be configured to set an interrupt on transfer completion of the output data to indicate that the processing is finished.

2. Enable the cryptographic processor by writing the CRYPEN bit to 1. Enable the DMA requests by setting the DIEN and DOEN bits in the CRYP_DMACR register.
3. All the transfers and processing are managed by the DMA and the cryptographic processor. The DMA interrupt indicates that the processing is complete. Both FIFOs are normally empty and BUSY = 0.

Processing when the data are transferred by the CPU during interrupts

1. Enable the interrupts by setting the INIM and OUTIM bits in the CRYP_IMSCR register.
2. Enable the cryptographic processor by setting the CRYPEN bit in the CRYP_CR register.
3. In the interrupt managing the input data: load the input message into the IN FIFO. You can load 2 or 4 words at a time, or load data until the FIFO is full. When the last word of the message has been entered into the FIFO, disable the interrupt by clearing the INIM bit.
4. In the interrupt managing the output data: read the output message from the OUT FIFO. You can read 1 block (2 or 4 words) at a time or read data until the FIFO is empty. When the last word has been read, INIM=0, BUSY=0 and both FIFOs are empty (IFEM=1 and OFNE=0). You can disable the interrupt by clearing the OUTIM bit and, the peripheral by clearing the CRYPEN bit.

Processing without using the DMA nor interrupts

1. Enable the cryptographic processor by setting the CRYPEN bit in the CRYP_CR register.
2. Write the first blocks in the input FIFO (2 to 8 words).
3. Repeat the following sequence until the complete message has been processed:
 - a) Wait for OFNE=1, then read the OUT-FIFO (1 block or until the FIFO is empty)
 - b) Wait for IFNF=1, then write the IN FIFO (1 block or until the FIFO is full)
4. At the end of the processing, BUSY=0 and both FIFOs are empty (IFEM=1 and OFNE=0). You can disable the peripheral by clearing the CRYPEN bit.

19.3.7 Context swapping

If a context switching is needed because a new task launched by the OS requires this resource, the following tasks have to be performed for full context restoration (example when the DMA is used):

Case of the AES and DES

1. Context saving
 - a) Stop DMA transfers on the IN FIFO by clearing the DIEN bit in the CRYP_DMACR register.
 - b) Wait until both the IN and OUT FIFOs are empty (IFEM=1 and OFNE=0 in the CRYP_SR register) and the BUSY bit is cleared.
 - c) Stop DMA transfers on the OUT FIFO by writing the DOEN bit to 0 in the CRYP_DMACR register and clear the CRYPEN bit.
 - d) Save the current configuration (bits [9:2] and bits 19 in the CRYP_CR register) and, if not in ECB mode, the initialization vectors. The key value must already be available in the memory. When needed, save the DMA status (pointers for IN and OUT messages, number of remaining bytes, etc.).
2. Configure and execute the other processing.
3. Context restoration
 - a) Configure the processor as in [Section 19.3.6: Procedure to perform an encryption or a decryption on page 518, Initialization](#) with the saved configuration. For the AES-ECB or AES-CBC decryption, the key must be prepared again.
 - b) If needed, reconfigure the DMA controller to transfer the rest of the message.
 - c) Enable the processor by setting the CRYPEN bit and, the DMA requests by setting the DIEN and DOEN bits.

Case of the TDES

Context swapping can be done in the TDES in the same way as in the AES. But as the input FIFO can contain up to 4 unprocessed blocks and as the processing duration per block is higher, it can be faster in certain cases to interrupt the processing without waiting for the IN FIFO to be empty.

1. Context saving
 - a) Stop DMA transfers on the IN FIFO by clearing the DIEN bit in the CRYP_DMACR register.
 - b) Disable the processor by clearing the CRYPEN bit (the processing stops at the end of the current block).
 - c) Wait until the OUT FIFO is empty (OFNE=0 in the CRYP_SR register) and the BUSY bit is cleared.
 - d) Stop DMA transfers on the OUT FIFO by writing the DOEN bit to 0 in the CRYP_DMACR register.
 - e) Save the current configuration (bits [9:2] and bits 19 in the CRYP_CR register) and, if not in ECB mode, the initialization vectors. The key value must already be available in the memory. When needed, save the DMA status (pointers for IN and OUT messages, number of remaining bytes, etc.). Read back the data loaded in

the IN FIFO that have not been processed and save them in the memory until the FIFO is empty.

2. Configure and execute the other processing.
3. Context restoration
 - a) Configure the processor as in [Section 19.3.6: Procedure to perform an encryption or a decryption on page 518, Initialization](#) with the saved configuration. For the AES-ECB or AES-CBC decryption, the key must be prepared again.
 - b) Write the data that were saved during context saving into the IN FIFO.
 - c) If needed, reconfigure the DMA controller to transfer the rest of the message.
 - d) Enable the processor by setting the CRYPEN bit and, the DMA requests by setting the DIEN and DOEN bits.

19.4 CRYP interrupts

There are two individual maskable interrupt sources generated by the CRYP. These two sources are combined into a single interrupt signal, which is the only interrupt signal from the CRYP that drives the NVIC (nested vectored interrupt controller). This combined interrupt, which is an OR function of the individual masked sources, is asserted if any of the individual interrupts listed below is asserted and enabled.

You can enable or disable the interrupt sources individually by changing the mask bits in the CRYP_IMSCR register. Setting the appropriate mask bit to '1' enables the interrupt.

The status of the individual interrupt sources can be read either from the CRYP_RISR register, for raw interrupt status, or from the CRYP_MISR register, for the masked interrupt status.

Output FIFO service interrupt - OUTMIS

The output FIFO service interrupt is asserted when there is one or more (32-bit word) data items in the output FIFO. This interrupt is cleared by reading data from the output FIFO until there is no valid (32-bit) word left (that is, the interrupt follows the state of the OFNE (output FIFO not empty) flag).

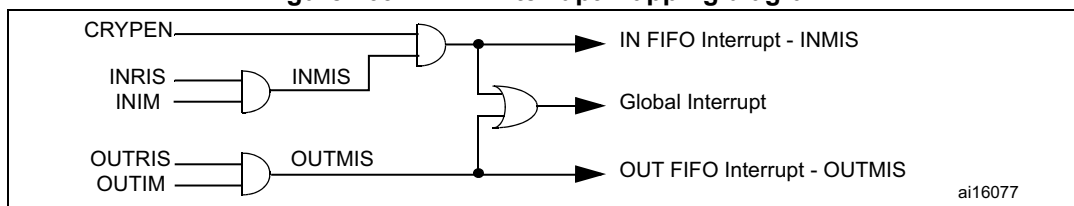
The output FIFO service interrupt OUTMIS is NOT enabled with the CRYP enable bit. Consequently, disabling the CRYP does not force the OUTMIS signal low if the output FIFO is not empty.

Input FIFO service interrupt - INMIS

The input FIFO service interrupt is asserted when there are less than four words in the input FIFO. It is cleared by performing write operations to the input FIFO until it holds four or more words.

The input FIFO service interrupt INMIS is enabled with the CRYP enable bit. Consequently, when CRYP is disabled, the INMIS signal is low even if the input FIFO is empty.

Figure 209. CRYP interrupt mapping diagram



19.5 CRYP DMA interface

The cryptographic processor provides an interface to connect to the DMA controller. The DMA operation is controlled through the CRYP DMA control register, CRYP_DMACR.

The burst and single transfer request signals are not mutually exclusive. They can both be asserted at the same time. For example, when there are 6 words available in the OUT FIFO, the burst transfer request and the single transfer request are asserted. After a burst transfer of 4 words, the single transfer request only is asserted to transfer the last 2 available words. This is useful for situations where the number of words left to be received in the stream is less than a burst.

Each request signal remains asserted until the relevant DMA clear signal is asserted. After the request clear signal is deasserted, a request signal can become active again, depending on the above described conditions. All request signals are deasserted if the CRYP peripheral is disabled or the DMA enable bit is cleared (DIEN bit for the IN FIFO and DOEN bit for the OUT FIFO in the CRYP_DMACR register).

Note: The DMA controller must be configured to perform burst of 4 words or less. Otherwise some data could be lost.

In order to let the DMA controller empty the OUT FIFO before filling up the IN FIFO, the OUTDMA channel should have a higher priority than the INDMA channel.

19.6 CRYP registers

The cryptographic core is associated with several control and status registers, eight key registers and four initialization vectors registers.

19.6.1 CRYP control register (CRYP_CR)

Address offset: 0x00

Reset value: 0x0000 0000

31	30	29	28	27	26	25	24	23	22	21	20	19	18	17	16
Reserved															
15	14	13	12	11	10	9	8	7	6	5	4	3	2	1	0
CRYPEN	FFLUSH	Reserved				KEYSIZE		DATATYPE		ALGOMODE[2:0]			ALGODIR	Res.	Res.
rw	w					rw	rw	rw	rw	rw	rw	rw	rw		

Bits 31:18 Reserved, must be kept at reset value

Bits 17:16 Reserved, must be kept at reset value

Bit 15 **CRYPEN**: Cryptographic processor enable

0: CRYP processor is disabled

1: CRYP processor is enabled

Note: The CRYPEN bit is automatically cleared by hardware when the key preparation process ends (ALGOMODE=111b) or GCM_CCM init Phase

Bit 14 **FFLUSH**: FIFO flush

When CRYPEN = 0, writing this bit to 1 flushes the IN and OUT FIFOs (that is read and write pointers of the FIFOs are reset. Writing this bit to 0 has no effect.

When CRYPEN = 1, writing this bit to 0 or 1 has no effect.

Reading this bit always returns 0.

Bits 13:10 Reserved, must be kept at reset value

Bits 9:8 **KEYSIZE[1:0]**: Key size selection (AES mode only)

This bitfield defines the bit-length of the key used for the AES cryptographic core. This bitfield is 'don't care' in the DES or TDES modes.

00: 128 bit key length

01: 192 bit key length

10: 256 bit key length

11: Reserved, do not use this value

Bits 7:6 **DATATYPE[1:0]**: Data type selection

This bitfield defines the format of data entered in the CRYP_DIN register (refer to [Section 19.3.3: Data type](#)).

00: 32-bit data. No swapping of each word. First word pushed into the IN FIFO (or popped off the OUT FIFO) forms bits 1...32 of the data block, the second word forms bits 33...64.

01: 16-bit data, or half-word. Each word pushed into the IN FIFO (or popped off the OUT FIFO) is considered as 2 half-words, which are swapped with each other.

10: 8-bit data, or bytes. Each word pushed into the IN FIFO (or popped off the OUT FIFO) is considered as 4 bytes, which are swapped with each other.

11: bit data, or bit-string. Each word pushed into the IN FIFO (or popped off the OUT FIFO) is considered as 32 bits (1st bit of the string at position 0), which are swapped with each other.

Bits 5:3 **ALGOMODE[2:0]**: Algorithm mode

000: TDES-ECB (triple-DES Electronic codebook): no feedback between blocks of data. Initialization vectors (CRYP_IV0(L/R)) are not used, three key vectors (K1, K2, and K3) are used (K0 is not used).

001: TDES-CBC (triple-DES Cipher block chaining): output block is XORed with the subsequent input block before its entry into the algorithm. Initialization vectors (CRYP_IV0(L/R)) must be initialized, three key vectors (K1, K2, and K3) are used (K0 is not used).

010: DES-ECB (simple DES Electronic codebook): no feedback between blocks of data. Initialization vectors (CRYP_IV0(L/R)) are not used, only one key vector (K1) is used (K0, K2, K3 are not used).

011: DES-CBC (simple DES Cipher block chaining): output block is XORed with the subsequent input block before its entry into the algorithm. Initialization vectors (CRYP_IV0(L/R)) must be initialized. Only one key vector (K1) is used (K0, K2, K3 are not used).

100: AES-ECB (AES Electronic codebook): no feedback between blocks of data. Initialization vectors (CRYP_IV0(L/R)...1(L/R)) are not used. All four key vectors (K0...K3) are used.

101: AES-CBC (AES Cipher block chaining): output block is XORed with the subsequent input block before its entry into the algorithm. Initialization vectors (CRYP_IV0(L/R)...1(L/R)) must be initialized. All four key vectors (K0...K3) are used.

110: AES-CTR (AES counter mode): output block is XORed with the subsequent input block before its entry into the algorithm. Initialization vectors (CRYP_IV0(L/R)...1(L/R)) must be initialized. All four key vectors (K0...K3) are used. CTR decryption does not differ from CTR encryption, since the core always encrypts the current counter block to produce the key stream that is XORed with the plaintext or cipher in input. Thus, ALGODIR is don't care when ALGOMODE = 110b, and the key must NOT be unrolled (prepared) for decryption.

111: AES key preparation for decryption mode. Writing this value when CRYPEN = 1 immediately starts an AES round for key preparation. The secret key must have previously been loaded into the K0...K3 registers. The BUSY bit in the CRYP_SR register is set during the key preparation. After key processing, the resulting key is copied back into the K0...K3 registers, and the BUSY bit is cleared.

Bit 2 **ALGODIR**: Algorithm direction

0: Encrypt

1: Decrypt

Bits 1:0 Reserved, must be kept at reset value

Note: *Writing to the KEYSIZE, DATATYPE, ALGOMODE and ALGODIR bits while BUSY=1 has no effect. These bits can only be configured when BUSY=0. The FFLUSH bit has to be set only when BUSY=0. If not, the FIFO is flushed, but the block being processed may be pushed into the output FIFO just after the flush operation, resulting in a nonempty FIFO condition.*

19.6.2 CRYP status register (CRYP_SR)

Address offset: 0x04

Reset value: 0x0000 0003

31	30	29	28	27	26	25	24	23	22	21	20	19	18	17	16
Reserved															
15	14	13	12	11	10	9	8	7	6	5	4	3	2	1	0
Reserved											BUSY	OFFFU	OFNE	IFNF	IFEM
											r	r	r	r	r

Bits 31:5 Reserved, must be kept at reset value

Bit 4 **BUSY**: Busy bit

0: The CRYP Core is not processing any data. The reason is either that:

- the CRYP core is disabled (CRYPEN=0 in the CRYP_CR register) and the last processing has completed, or
- The CRYP core is waiting for enough data in the input FIFO or enough free space in the output FIFO (that is in each case at least 2 words in the DES, 4 words in the AES).

1: The CRYP core is currently processing a block of data or a key preparation (for AES decryption).

Bit 3 **OFFFU**: Output FIFO full

- 0: Output FIFO is not full
- 1: Output FIFO is full

Bit 2 **OFNE**: Output FIFO not empty

- 0: Output FIFO is empty
- 1: Output FIFO is not empty

Bit 1 **IFNF**: Input FIFO not full

- 0: Input FIFO is full
- 1: Input FIFO is not full

Bit 0 **IFEM**: Input FIFO empty

- 0: Input FIFO is not empty
- 1: Input FIFO is empty

19.6.3 CRYP data input register (CRYP_DIN)

Address offset: 0x08

Reset value: 0x0000 0000

The CRYP_DIN register is the data input register. It is 32-bit wide. It is used to enter up to four 64-bit (TDES) or two 128-bit (AES) plaintext (when encrypting) or ciphertext (when decrypting) blocks into the input FIFO, one 32-bit word at a time.

The first word written into the FIFO is the MSB of the input block. The LSB of the input block is written at the end. Disregarding the data swapping, this gives:

- In the DES/TDES modes: a block is a sequence of bits numbered from bit 1 (leftmost bit) to bit 64 (rightmost bit). Bit 1 corresponds to the MSB (bit 31) of the first word entered into the FIFO, bit 64 corresponds to the LSB (bit 0) of the second word entered into the FIFO.
- In the AES mode: a block is a sequence of bits numbered from 0 (leftmost bit) to 127 (rightmost bit). Bit 0 corresponds to the MSB (bit 31) of the first word written into the FIFO, bit 127 corresponds to the LSB (bit 0) of the 4th word written into the FIFO.

To fit different data sizes, the data written in the CRYP_DIN register can be swapped before being processed by configuring the DATATYPE bits in the CRYP_CR register. Refer to [Section 19.3.3: Data type on page 513](#) for more details.

When CRYP_DIN register is written to, the data are pushed into the input FIFO. When at least two 32-bit words in the DES/TDES mode (or four 32-bit words in the AES mode) have been pushed into the input FIFO, and when at least 2 words are free in the output FIFO, the CRYP engine starts an encrypting or decrypting process. This process takes two 32-bit words in the DES/TDES mode (or four 32-bit words in the AES mode) from the input FIFO and delivers two 32-bit words (or 4, respectively) to the output FIFO per process round.

When CRYP_DIN register is read:

- If CRYPEN = 0, the FIFO is popped, and then the data present in the Input FIFO are returned, from the oldest one (first reading) to the newest one (last reading). The IFEM flag must be checked before each read operation to make sure that the FIFO is not empty.
- if CRYPEN = 1, an undefined value is returned.

After the CRYP_DIN register has been read once or several times, the FIFO must be flushed by setting the FFLUSH bit prior to processing new data.

31	30	29	28	27	26	25	24	23	22	21	20	19	18	17	16
DATAIN															
rw	rw	rw	rw	rw	rw	rw	rw	rw	rw	rw	rw	rw	rw	rw	rw
15	14	13	12	11	10	9	8	7	6	5	4	3	2	1	0
DATAIN															
rw	rw	rw	rw	rw	rw	rw	rw	rw	rw	rw	rw	rw	rw	rw	rw

Bits 31:0 **DATAIN**: Data input

Read = returns Input FIFO content if CRYPEN = 0, else returns an undefined value.

Write = Input FIFO is written.

19.6.4 CRYP data output register (CRYP_DOUT)

Address offset: 0x0C

Reset value: 0x0000 0000

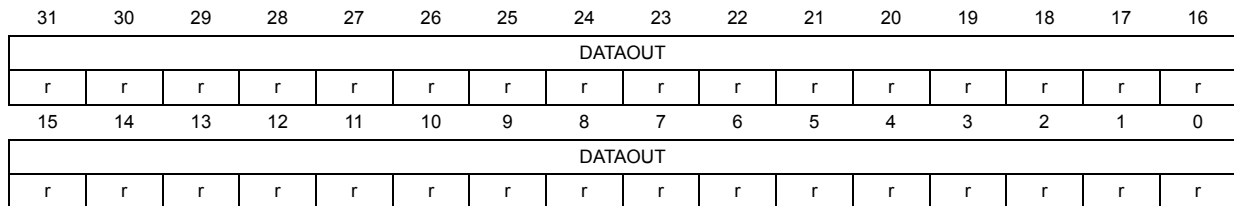
The CRYP_DOUT register is the data output register. It is read-only and 32-bit wide. It is used to retrieve up to four 64-bit (TDES mode) or two 128-bit (AES mode) ciphertext (when encrypting) or plaintext (when decrypting) blocks from the output FIFO, one 32-bit word at a time.

Like for the input data, the MSB of the output block is the first word read from the output FIFO. The LSB of the output block is read at the end. Disregarding data swapping, this gives:

- In the DES/TDES modes: Bit 1 (leftmost bit) corresponds to the MSB (bit 31) of the first word read from the FIFO, bit 64 (rightmost bit) corresponds to the LSB (bit 0) of the second word read from the FIFO.
- In the AES mode: Bit 0 (leftmost bit) corresponds to the MSB (bit 31) of the first word read from the FIFO, bit 127 (rightmost bit) corresponds to the LSB (bit 0) of the 4th word read from the FIFO.

To fit different data sizes, the data can be swapped after processing by configuring the DATATYPE bits in the CRYP_CR register. Refer to [Section 19.3.3: Data type on page 513](#) for more details.

When CRYP_DOUT register is read, the last data entered into the output FIFO (pointed to by the read pointer) is returned.



Bits 31:0 **DATAOUT**: Data output
 Read = returns output FIFO content.
 Write = No effect.

19.6.5 CRYP DMA control register (CRYP_DMCCR)

Address offset: 0x10

Reset value: 0x0000 0000

31	30	29	28	27	26	25	24	23	22	21	20	19	18	17	16
Reserved															
15	14	13	12	11	10	9	8	7	6	5	4	3	2	1	0
Reserved														DOEN	DIEN
														rw	rw

Bits 31:2 Reserved, must be kept at reset value

Bit 1 **DOEN**: DMA output enable

- 0: DMA for outgoing data transfer is disabled
- 1: DMA for outgoing data transfer is enabled

Bit 0 **DIEN**: DMA input enable

- 0: DMA for incoming data transfer is disabled
- 1: DMA for incoming data transfer is enabled

19.6.6 CRYP interrupt mask set/clear register (CRYP_IMSCR)

Address offset: 0x14

Reset value: 0x0000 0000

The CRYP_IMSCR register is the interrupt mask set or clear register. It is a read/write register. On a read operation, this register gives the current value of the mask on the relevant interrupt. Writing 1 to the particular bit sets the mask, enabling the interrupt to be read. Writing 0 to this bit clears the corresponding mask. All the bits are cleared to 0 when the peripheral is reset.

31	30	29	28	27	26	25	24	23	22	21	20	19	18	17	16
Reserved															
15	14	13	12	11	10	9	8	7	6	5	4	3	2	1	0
Reserved														OUTIM	INIM
														rw	rw

Bits 31:2 Reserved, must be kept at reset value

Bit 1 **OUTIM**: Output FIFO service interrupt mask

- 0: Output FIFO service interrupt is masked
- 1: Output FIFO service interrupt is not masked

Bit 0 **INIM**: Input FIFO service interrupt mask

- 0: Input FIFO service interrupt is masked
- 1: Input FIFO service interrupt is not masked

19.6.7 CRYP raw interrupt status register (CRYP_RISR)

Address offset: 0x18

Reset value: 0x0000 0001

The CRYP_RISR register is the raw interrupt status register. It is a read-only register. On a read, this register gives the current raw status of the corresponding interrupt prior to masking. A write has no effect.

31	30	29	28	27	26	25	24	23	22	21	20	19	18	17	16
Reserved															
15	14	13	12	11	10	9	8	7	6	5	4	3	2	1	0
Reserved														OUTRIS	INRIS
														r	r

Bits 31:2 Reserved, must be kept at reset value

Bit 1 **OUTRIS**: Output FIFO service raw interrupt status

Gives the raw interrupt state prior to masking of the output FIFO service interrupt.

0: Raw interrupt not pending

1: Raw interrupt pending

Bit 0 **INRIS**: Input FIFO service raw interrupt status

Gives the raw interrupt state prior to masking of the Input FIFO service interrupt.

0: Raw interrupt not pending

1: Raw interrupt pending

19.6.8 CRYP masked interrupt status register (CRYP_MISR)

Address offset: 0x1C

Reset value: 0x0000 0000

The CRYP_MISR register is the masked interrupt status register. It is a read-only register. On a read, this register gives the current masked status of the corresponding interrupt prior to masking. A write has no effect.

31	30	29	28	27	26	25	24	23	22	21	20	19	18	17	16
Reserved															
15	14	13	12	11	10	9	8	7	6	5	4	3	2	1	0
Reserved														OUTMIS	INMIS
														r	r

Bits 31:2 Reserved, must be kept at reset value

Bit 1 **OUTMIS**: Output FIFO service masked interrupt status

Gives the interrupt state after masking of the output FIFO service interrupt.

0: Interrupt not pending

1: Interrupt pending

Bit 0 **INMIS**: Input FIFO service masked interrupt status

Gives the interrupt state after masking of the input FIFO service interrupt.

0: Interrupt not pending

1: Interrupt pending when CRYPEN = 1

19.6.9 CRYP key registers (CRYP_K0...3(L/R)R)

Address offset: 0x20 to 0x3C

Reset value: 0x0000 0000

These registers contain the cryptographic keys.

In the TDES mode, keys are 64-bit binary values (number from left to right, that is the leftmost bit is bit 1), named K1, K2 and K3 (K0 is not used), each key consists of 56 information bits and 8 parity bits. The parity bits are reserved for error detection purposes and are not used by the current block. Thus, bits 8, 16, 24, 32, 40, 48, 56 and 64 of each 64-bit key value $K_x[1:64]$ are not used.

In the AES mode, the key is considered as a single 128-, 192- or 256-bit long bit sequence, $k_0k_1k_2...k_{127/191/255}$ (k_0 being the leftmost bit). The AES key is entered into the registers as follows:

- for AES-128: $k_0..k_{127}$ corresponds to $b_{127}..b_0$ ($b_{255}..b_{128}$ are not used),
- for AES-192: $k_0..k_{191}$ corresponds to $b_{191}..b_0$ ($b_{255}..b_{192}$ are not used),
- for AES-256: $k_0..k_{255}$ corresponds to $b_{255}..b_0$.

In any case b_0 is the rightmost bit.

CRYP_K0LR (address offset: 0x20)

31	30	29	28	27	26	25	24	23	22	21	20	19	18	17	16
b255	b254	b253	b252	b251	b250	b249	b248	b247	b246	b245	b244	b243	b242	b241	b240
w	w	w	w	w	w	w	w	w	w	w	w	w	w	w	w
15	14	13	12	11	10	9	8	7	6	5	4	3	2	1	0
b239	b238	b237	b236	b235	b234	b233	b232	b231	b230	b229	b228	b227	b226	b225	b224
w	w	w	w	w	w	w	w	w	w	w	w	w	w	w	w

CRYP_K0RR (address offset: 0x24)

31	30	29	28	27	26	25	24	23	22	21	20	19	18	17	16
b223	b222	b221	b220	b219	b218	b217	b216	b215	b214	b213	b212	b211	b210	b209	b208
w	w	w	w	w	w	w	w	w	w	w	w	w	w	w	w
15	14	13	12	11	10	9	8	7	6	5	4	3	2	1	0
b207	b206	b205	b204	b203	b202	b201	b200	b199	b198	b197	b196	b195	b194	b193	b192
w	w	w	w	w	w	w	w	w	w	w	w	w	w	w	w

CRYP_K1LR (address offset: 0x28)

31	30	29	28	27	26	25	24	23	22	21	20	19	18	17	16
k1.1 b191	k1.2 b190	k1.3 b189	k1.4 b188	k1.5 b187	k1.6 b186	k1.7 b185	k1.8 b184	k1.9 b183	k1.10 b182	k1.11 b181	k1.12 b180	k1.13 b179	k1.14 b178	k1.15 b177	k1.16 b176
w	w	w	w	w	w	w	w	w	w	w	w	w	w	w	w
15	14	13	12	11	10	9	8	7	6	5	4	3	2	1	0
k1.17 b175	k1.18 b174	k1.19 b173	k1.20 b172	k1.21 b171	k1.22 b170	k1.23 b169	k1.24 b168	k1.25 b167	k1.26 b166	k1.27 b165	k1.28 b164	k1.29 b163	k1.30 b162	k1.31 b161	k1.32 b160
w	w	w	w	w	w	w	w	w	w	w	w	w	w	w	w

CRYP_K1RR (address offset: 0x2C)

31	30	29	28	27	26	25	24	23	22	21	20	19	18	17	16
k1.33 b159	k1.34 b158	k1.35 b157	k1.36 b156	k1.37 b155	k1.38 b154	k1.39 b153	k1.40 b152	k1.41 b151	k1.42 b150	k1.43 b149	k1.44 b148	k1.45 b147	k1.46 b146	k1.47 b145	k1.48 b144
w	w	w	w	w	w	w	w	w	w	w	w	w	w	w	w
15	14	13	12	11	10	9	8	7	6	5	4	3	2	1	0
k1.49 b143	k1.50 b142	k1.51 b141	k1.52 b140	k1.53 b139	k1.54 b138	k1.55 b137	k1.56 b136	k1.57 b135	k1.58 b134	k1.59 b133	k1.60 b132	k1.61 b131	k1.62 b130	k1.63 b129	k1.64 b128
w	w	w	w	w	w	w	w	w	w	w	w	w	w	w	w

CRYP_K2LR (address offset: 0x30)

31	30	29	28	27	26	25	24	23	22	21	20	19	18	17	16
k2.1 b127	k2.2 b126	k2.3 b125	k2.4 b124	k2.5 b123	k2.6 b122	k2.7 b121	k2.8 b120	k2.9 b119	k2.10 b118	k2.11 b117	k2.12 b116	k2.13 b115	k2.14 b114	k2.15 b113	k2.16 b112
w	w	w	w	w	w	w	w	w	w	w	w	w	w	w	w
15	14	13	12	11	10	9	8	7	6	5	4	3	2	1	0
k2.17 b111	k2.18 b110	k2.19 b109	k2.20 b108	k2.21 b107	k2.22 b106	k2.23 b105	k2.24 b104	k2.25 b103	k2.26 b102	k2.27 b101	k2.28 b100	k2.29 b99	k2.30 b98	k2.31 b97	k2.32 b96
w	w	w	w	w	w	w	w	w	w	w	w	w	w	w	w

CRYP_K2RR (address offset: 0x34)

31	30	29	28	27	26	25	24	23	22	21	20	19	18	17	16
k2.33 b95	k2.34 b94	k2.35 b93	k2.36 b92	k2.37 b91	k2.38 b90	k2.39 b89	k2.40 b88	k2.41 b87	k2.42 b86	k2.43 b85	k2.44 b84	k2.45 b83	k2.46 b82	k2.47 b81	k2.48 b80
w	w	w	w	w	w	w	w	w	w	w	w	w	w	w	w
15	14	13	12	11	10	9	8	7	6	5	4	3	2	1	0
k2.49 b79	k2.50 b78	k2.51 b77	k2.52 b76	k2.53 b75	k2.54 b74	k2.55 b73	k2.56 b72	k2.57 b71	k2.58 b70	k2.59 b69	k2.60 b68	k2.61 b67	k2.62 b66	k2.63 b65	k2.64 b64
w	w	w	w	w	w	w	w	w	w	w	w	w	w	w	w

CRYP_K3LR (address offset: 0x38)

31	30	29	28	27	26	25	24	23	22	21	20	19	18	17	16
k3.1 b63	k3.2 b62	k3.3 b61	k3.4 b60	k3.5 b59	k3.6 b58	k3.7 b57	k3.8 b56	k3.9 b55	k3.10 b54	k3.11 b53	k3.12 b52	k3.13 b51	k3.14 b50	k3.15 b49	k3.16 b48
w	w	w	w	w	w	w	w	w	w	w	w	w	w	w	w
15	14	13	12	11	10	9	8	7	6	5	4	3	2	1	0
k3.17 b47	k3.18 b46	k3.19 b45	k3.20 b44	k3.21 b43	k3.22 b42	k3.23 b41	k3.24 b40	k3.25 b39	k3.26 b38	k3.27 b37	k3.28 b36	k3.29 b35	k3.30 b34	k3.31 b33	k3.32 b32
w	w	w	w	w	w	w	w	w	w	w	w	w	w	w	w



CRYP_K3RR (address offset: 0x3C)

31	30	29	28	27	26	25	24	23	22	21	20	19	18	17	16
k3.33 b31	k3.34 b30	k3.35 b29	k3.36 b28	k3.37 b27	k3.38 b26	k3.39 b25	k3.40 b24	k3.41 b23	k3.42 b22	k3.43 b21	k3.44 b20	k3.45 b19	k3.46 b18	k3.47 b17	k3.48 b16
w	w	w	w	w	w	w	w	w	w	w	w	w	w	w	w
15	14	13	12	11	10	9	8	7	6	5	4	3	2	1	0
k3.49 b15	k3.50 b14	k3.51 b13	k3.52 b12	k3.53 b11	k3.54 b10	k3.55 b9	k3.56 b8	k3.57 b7	k3.58 b6	k3.59 b5	k3.60 b4	k3.61 b3	k3.62 b2	k3.63 b1	k3.64 b0
w	w	w	w	w	w	w	w	w	w	w	w	w	w	w	w

Note: Write accesses to these registers are disregarded when the cryptographic processor is busy (bit *BUSY* = 1 in the *CRYP_SR* register).

19.6.10 CRYP initialization vector registers (CRYP_IV0...1(L/R)R)

Address offset: 0x40 to 0x4C

Reset value: 0x0000 0000

The *CRYP_IV0...1(L/R)R* are the left-word and right-word registers for the initialization vector (64 bits for DES/TDES and 128 bits for AES) and are used in the CBC (Cipher block chaining) and Counter (CTR) modes. After each computation round of the TDES or AES Core, the *CRYP_IV0...1(L/R)R* registers are updated as described in [Section : DES and TDES Cipher block chaining \(DES/TDES-CBC\) mode on page 504](#), [Section : AES Cipher block chaining \(AES-CBC\) mode on page 508](#) and [Section : AES counter mode \(AES-CTR\) mode on page 510](#).

IV0 is the leftmost bit whereas IV63 (DES, TDES) or IV127 (AES) are the rightmost bits of the initialization vector. IV1(L/R)R is used only in the AES.

CRYP_IV0LR (address offset: 0x40)

31	30	29	28	27	26	25	24	23	22	21	20	19	18	17	16
IV0	IV1	IV2	IV3	IV4	IV5	IV6	IV7	IV8	IV9	IV10	IV11	IV12	IV13	IV14	IV15
rw	rw	rw	rw	rw	rw	rw	rw	rw	rw	rw	rw	rw	rw	rw	rw
15	14	13	12	11	10	9	8	7	6	5	4	3	2	1	0
IV16	IV17	IV18	IV19	IV20	IV21	IV22	IV23	IV24	IV25	IV26	IV27	IV28	IV29	IV30	IV31
rw	rw	rw	rw	rw	rw	rw	rw	rw	rw	rw	rw	rw	rw	rw	rw

CRYP_IV0RR (address offset: 0x44)

31	30	29	28	27	26	25	24	23	22	21	20	19	18	17	16
IV32	IV33	IV34	IV35	IV36	IV37	IV38	IV39	IV40	IV41	IV42	IV43	IV44	IV45	IV46	IV47
rw	rw	rw	rw	rw	rw	rw	rw	rw	rw	rw	rw	rw	rw	rw	rw
15	14	13	12	11	10	9	8	7	6	5	4	3	2	1	0
IV48	IV49	IV50	IV51	IV52	IV53	IV54	IV55	IV56	IV57	IV58	IV59	IV60	IV61	IV62	IV63
rw	rw	rw	rw	rw	rw	rw	rw	rw	rw	rw	rw	rw	rw	rw	rw

CRYP_IV1LR (address offset: 0x48)

31	30	29	28	27	26	25	24	23	22	21	20	19	18	17	16
IV64	IV65	IV66	IV67	IV68	IV69	IV70	IV71	IV72	IV73	IV74	IV75	IV76	IV77	IV78	IV79
rw	rw	rw	rw	rw	rw	rw	rw	rw	rw	rw	rw	rw	rw	rw	rw
15	14	13	12	11	10	9	8	7	6	5	4	3	2	1	0
IV80	IV81	IV82	IV83	IV84	IV85	IV86	IV87	IV88	IV89	IV90	IV91	IV92	IV93	IV94	IV95
rw	rw	rw	rw	rw	rw	rw	rw	rw	rw	rw	rw	rw	rw	rw	rw

CRYP_IV1RR (address offset: 0x4C)

31	30	29	28	27	26	25	24	23	22	21	20	19	18	17	16
IV96	IV97	IV98	IV99	IV100	IV101	IV102	IV103	IV104	IV105	IV106	IV107	IV108	IV109	IV110	IV111
rw	rw	rw	rw	rw	rw	rw	rw	rw	rw	rw	rw	rw	rw	rw	rw
15	14	13	12	11	10	9	8	7	6	5	4	3	2	1	0
IV112	IV113	IV114	IV115	IV116	IV117	IV118	IV119	IV120	IV121	IV122	IV123	IV124	IV125	IV126	IV127
rw	rw	rw	rw	rw	rw	rw	rw	rw	rw	rw	rw	rw	rw	rw	rw

Note: In DES/3DES modes, only CRYP_IV0(L/R) is used.
 Write access to these registers are disregarded when the cryptographic processor is busy (bit BUSY = 1 in the CRYP_SR register).

19.6.11 CRYP register map

Table 75. CRYP register map and reset values

Offset	Register name and reset value	31	30	29	28	27	26	25	24	23	22	21	20	19	18	17	16	15	14	13	12	11	10	9	8	7	6	5	4	3	2	1	0		
0x00 0x00	CRYP_CR	Reserved																CRYPEN	FFLUSH	Reserved						KEYSIZE		DATATYPE		ALOMODE[2:0]		ALGODIR		Res.	
	Reset value																	0	0							0	0	0	0	0	0	0	0	0	0
0x04	CRYP_SR	Reserved																BUSY		OFFU		OFNE		IFNF		IFEM									
	Reset value																	0	0	0	0	0	0	1	1	0	0								
0x08	CRYP_DIN	DATAIN																																	
	Reset value	0 0																																	
0x0C	CRYP_DOUT	DATAOUT																																	
	Reset value	0 0																																	
0x10	CRYP_DMAR	Reserved																DOEN		DIEN															
	Reset value																	0	0	0	0														



Table 75. CRYP register map and reset values (continued)

Offset	Register name and reset value	31	30	29	28	27	26	25	24	23	22	21	20	19	18	17	16	15	14	13	12	11	10	9	8	7	6	5	4	3	2	1	0
0x14	CRYP_IMSCR	Reserved																														OUTIM	INIM
	Reset value																															0	0
0x18	CRYP_RISR	Reserved																														OUTRIS	INRIS
	Reset value																															0	1
0x1C	CRYP_MISR	Reserved																														OUTMIS	INMIS
	Reset value																															0	0
0x20	CRYP_K0LR	CRYP_K0LR																															
	Reset value	0	0	0	0	0	0	0	0	0	0	0	0	0	0	0	0	0	0	0	0	0	0	0	0	0	0	0	0	0	0	0	
0x24	CRYP_K0RR	CRYP_K0RR																															
	Reset value	0	0	0	0	0	0	0	0	0	0	0	0	0	0	0	0	0	0	0	0	0	0	0	0	0	0	0	0	0	0	0	
...																																	
0x38	CRYP_K3LR	CRYP_K3LR																															
	Reset value	0	0	0	0	0	0	0	0	0	0	0	0	0	0	0	0	0	0	0	0	0	0	0	0	0	0	0	0	0	0	0	
0x3C	CRYP_K3RR	CRYP_K3RR																															
	Reset value	0	0	0	0	0	0	0	0	0	0	0	0	0	0	0	0	0	0	0	0	0	0	0	0	0	0	0	0	0	0	0	
0x40	CRYP_IV0LR	CRYP_IV0LR																															
	Reset value	0	0	0	0	0	0	0	0	0	0	0	0	0	0	0	0	0	0	0	0	0	0	0	0	0	0	0	0	0	0	0	
0x44	CRYP_IV0RR	CRYP_IV0RR																															
	Reset value	0	0	0	0	0	0	0	0	0	0	0	0	0	0	0	0	0	0	0	0	0	0	0	0	0	0	0	0	0	0	0	
0x48	CRYP_IV1LR	CRYP_IV1LR																															
	Reset value	0	0	0	0	0	0	0	0	0	0	0	0	0	0	0	0	0	0	0	0	0	0	0	0	0	0	0	0	0	0	0	
0x4C	CRYP_IV1RR	CRYP_IV1RR																															
	Reset value	0	0	0	0	0	0	0	0	0	0	0	0	0	0	0	0	0	0	0	0	0	0	0	0	0	0	0	0	0	0	0	

Refer to [Section 2.3: Memory map](#) for the register boundary addresses.

20 Random number generator (RNG)

This section applies to the whole STM32F20x and STM32F21x family, unless otherwise specified.

20.1 RNG introduction

The RNG processor is a random number generator, based on a continuous analog noise, that provides a random 32-bit value to the host when read.

The RNG passed the FIPS PUB 140-2 (2001 October 10) tests with a success ratio of 99%.

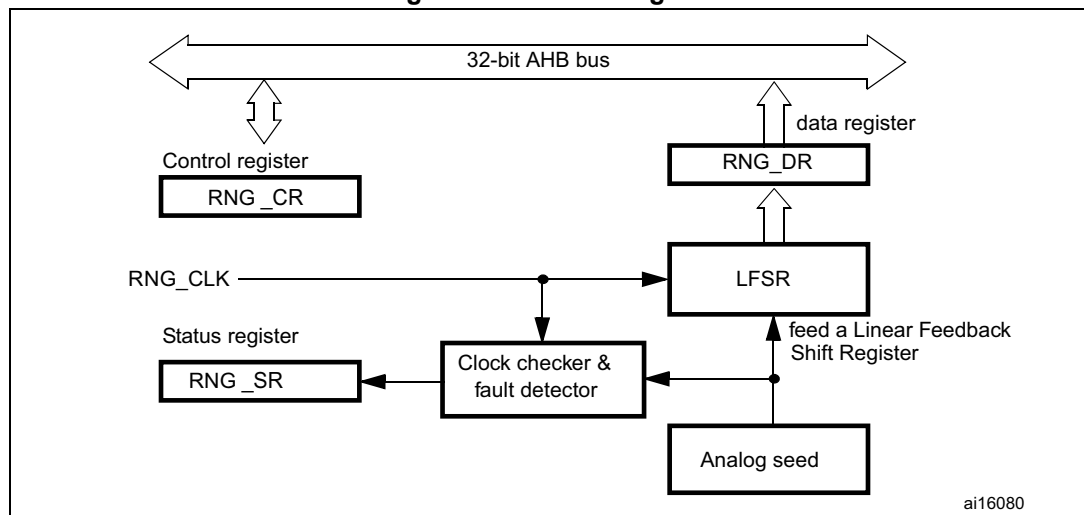
20.2 RNG main features

- It delivers 32-bit random numbers, produced by an analog generator
- 40 periods of the RNG_CLK clock signal between two consecutive random numbers
- Monitoring of the RNG entropy to flag abnormal behavior (generation of stable values, or of a stable sequence of values)
- It can be disabled to reduce power consumption

20.3 RNG functional description

Figure 210 shows the RNG block diagram.

Figure 210. Block diagram



1. For more details about RNG clock (RNG_CLK) source, refer to [Section 5: Reset and clock control \(RCC\)](#).

The random number generator implements an analog circuit. This circuit generates seeds that feed a linear feedback shift register (RNG_LFSR) in order to produce 32-bit random numbers.

The analog circuit is made of several ring oscillators whose outputs are XORed to generate the seeds. The RNG_LFSR is clocked by a dedicated clock (RNG_CLK) at a constant

frequency, so that the quality of the random number is independent of the HCLK frequency. The contents of the RNG_LFSR are transferred into the data register (RNG_DR) when a significant number of seeds have been introduced into the RNG_LFSR.

In parallel, the analog seed and the dedicated RNG_CLK clock are monitored. Status bits (in the RNG_SR register) indicate when an abnormal sequence occurs on the seed or when the frequency of the RNG_CLK clock is too low. An interrupt can be generated when an error is detected.

20.3.1 Operation

To run the RNG, follow the steps below:

1. Enable the interrupt if needed (to do so, set the IE bit in the RNG_CR register). An interrupt is generated when a random number is ready or when an error occurs.
2. Enable the random number generation by setting the RNGEN bit in the RNG_CR register. This activates the analog part, the RNG_LFSR and the error detector.
3. At each interrupt, check that no error occurred (the SEIS and CEIS bits should be '0' in the RNG_SR register) and that a random number is ready (the DRDY bit is '1' in the RNG_SR register). The contents of the RNG_DR register can then be read.

As required by the FIPS PUB (Federal Information Processing Standard Publication) 140-2, the first random number generated after setting the RNGEN bit should not be used, but saved for comparison with the next generated random number. Each subsequent generated random number has to be compared with the previously generated number. The test fails if any two compared numbers are equal (continuous random number generator test).

20.3.2 Error management

If the CEIS bit is read as '1' (clock error)

In the case of a clock, the RNG is no more able to generate random numbers because the RNG_CLK clock is not correct. Check that the clock controller is correctly configured to provide the RNG clock and clear the CEIS bit. The RNG can work when the CEIS bit is '0'. The clock error has no impact on the previously generated random numbers, and the RNG_DR register contents can be used.

If the SEIS bit is read as '1' (seed error)

In the case of a seed error, the generation of random numbers is interrupted for as long as the SEIS bit is '1'. If a number is available in the RNG_DR register, it must not be used because it may not have enough entropy.

What you should do is clear the SEIS bit, then clear and set the RNGEN bit to reinitialize and restart the RNG.

20.4 RNG registers

The RNG is associated with a control register, a data register and a status register. They have to be accessed by words (32 bits).

20.4.1 RNG control register (RNG_CR)

Address offset: 0x00

Reset value: 0x0000 0000

31	30	29	28	27	26	25	24	23	22	21	20	19	18	17	16
Reserved															
15	14	13	12	11	10	9	8	7	6	5	4	3	2	1	0
Reserved												IE	RNGEN	Reserved	
												rw	rw		

Bits 31:4 Reserved, must be kept at reset value

Bit 3 **IE**: Interrupt enable

0: RNG Interrupt is disabled

1: RNG Interrupt is enabled. An interrupt is pending as soon as DRDY=1 or SEIS=1 or CEIS=1 in the RNG_SR register.

Bit 2 **RNGEN**: Random number generator enable

0: Random number generator is disabled

1: random Number Generator is enabled.

Bits 1:0 Reserved, must be kept at reset value

20.4.2 RNG status register (RNG_SR)

Address offset: 0x04

Reset value: 0x0000 0000

31	30	29	28	27	26	25	24	23	22	21	20	19	18	17	16	
Reserved																
15	14	13	12	11	10	9	8	7	6	5	4	3	2	1	0	
Reserved									SEIS	CEIS	Reserved			SECS	CECS	DRDY
									rc_w0	rc_w0				r	r	r

Bits 31:3 Reserved, must be kept at reset value

Bit 6 **SEIS**: Seed error interrupt status

This bit is set at the same time as SECS, it is cleared by writing it to 0.

0: No faulty sequence detected

1: One of the following faulty sequences has been detected:

- More than 64 consecutive bits at the same value (0 or 1)
- More than 32 consecutive alternances of 0 and 1 (0101010101...01)

An interrupt is pending if IE = 1 in the RNG_CR register.

Bit 5 **CEIS**: Clock error interrupt status

This bit is set at the same time as CECS, it is cleared by writing it to 0.

0: The RNG_CLK clock was correctly detected

1: The RNG_CLK was not correctly detected ($f_{RNG_CLK} < f_{HCLK}/16$)

An interrupt is pending if IE = 1 in the RNG_CR register.

Bits 4:3 Reserved, must be kept at reset value

Bit 2 **SECS**: Seed error current status

0: No faulty sequence has currently been detected. If the SEIS bit is set, this means that a faulty sequence was detected and the situation has been recovered.

1: One of the following faulty sequences has been detected:

- More than 64 consecutive bits at the same value (0 or 1)
- More than 32 consecutive alternances of 0 and 1 (0101010101...01)

Bit 1 **CECS**: Clock error current status

0: The RNG_CLK clock has been correctly detected. If the CEIS bit is set, this means that a clock error was detected and the situation has been recovered

1: The RNG_CLK was not correctly detected ($f_{RNG_CLK} < f_{HCLK}/16$).

Bit 0 **DRDY**: Data ready

0: The RNG_DR register is not yet valid, no random data is available

1: The RNG_DR register contains valid random data

Note: An interrupt is pending if IE = 1 in the RNG_CR register.

Once the RNG_DR register has been read, this bit returns to 0 until a new valid value is computed.

20.4.3 RNG data register (RNG_DR)

Address offset: 0x08

Reset value: 0x0000 0000

The RNG_DR register is a read-only register that delivers a 32-bit random value when read. After being read, this register delivers a new random value after a maximum time of 40 periods of the RNG_CLK clock. The software must check that the DRDY bit is set before reading the RNDATA value.

31	30	29	28	27	26	25	24	23	22	21	20	19	18	17	16
RNDATA															
r	r	r	r	r	r	r	r	r	r	r	r	r	r	r	r
15	14	13	12	11	10	9	8	7	6	5	4	3	2	1	0
RNDATA															
r	r	r	r	r	r	r	r	r	r	r	r	r	r	r	r

Bits 31:0 **RNDATA**: Random data

32-bit random data.

20.4.4 RNG register map

Table 76 gives the RNG register map and reset values.

Table 76. RNG register map and reset map

Offset	Register name reset value	Register size																															
		31	30	29	28	27	26	25	24	23	22	21	20	19	18	17	16	15	14	13	12	11	10	9	8	7	6	5	4	3	2	1	0
0x00	RNG_CR 0x00000000	Reserved																										IE		RNGEN	Reserved		
0x04	RNG_SR 0x00000000	Reserved																										SEIS	CEIS	Reserved	SECS	CECS	DRDY
0x08	RNG_DR 0x00000000	RNDATA[31:0]																															

21 Hash processor (HASH)

This section applies only to STM32F21x devices.

21.1 HASH introduction

The hash processor is a fully compliant implementation of the secure hash algorithm (SHA-1), the MD5 (message-digest algorithm 5) hash algorithm and the HMAC (keyed-hash message authentication code) algorithm suitable for a variety of applications. It computes a message digest (160 bits for the SHA-1 algorithm, 128 bits for the MD5 algorithm) for messages of up to $(2^{64} - 1)$ bits, while HMAC algorithms provide a way of authenticating messages by means of hash functions. HMAC algorithms consist in calling the SHA-1, or MD5 hash function twice.

21.2 HASH main features

- Suitable for data authentication applications, compliant with:
 - FIPS PUB 180-2 (Federal Information Processing Standards Publication 180-2)
 - Secure Hash Standard specifications (SHA-1)
 - IETF RFC 1321 (Internet Engineering Task Force Request For Comments number 1321) specifications (MD5)
- Fast computation of SHA-1, and MD5
- AHB slave peripheral
- 32-bit data words for input data, supporting word, half-word, byte and bit bit-string representations, with little-endian data representation only.
- Automatic swapping to comply with the big-endian SHA1 computation standard with little-endian input bit-string representation
- Automatic padding to complete the input bit string to fit modulo 512 (16×32 bits) message digest computing
- 5×32 -bit words (H0 to H5) for output message digest, reload able to continue interrupted message digest computation.
- Corresponding 32-bit words of the digest from consecutive message blocks are added to each other to form the digest of the whole message
- Automatic data flow control with support for direct memory access (DMA)

Note: Padding, as defined in the SHA-1 algorithm, consists in adding a bit at $bx1$ followed by N bits at $bx0$ to get a total length congruent to 448 modulo 512. After this, the message is completed with a 64-bit integer which is the binary representation of the original message length.

For this hash processor, the quanta for entering the message is a 32-bit word, so an additional information must be provided at the end of the message entry, which is the number of valid bits in the last 32-bit word entered.

21.3 HASH functional description

Figure 1 shows the block diagram of the hash processor.

Figure 211. Block diagram

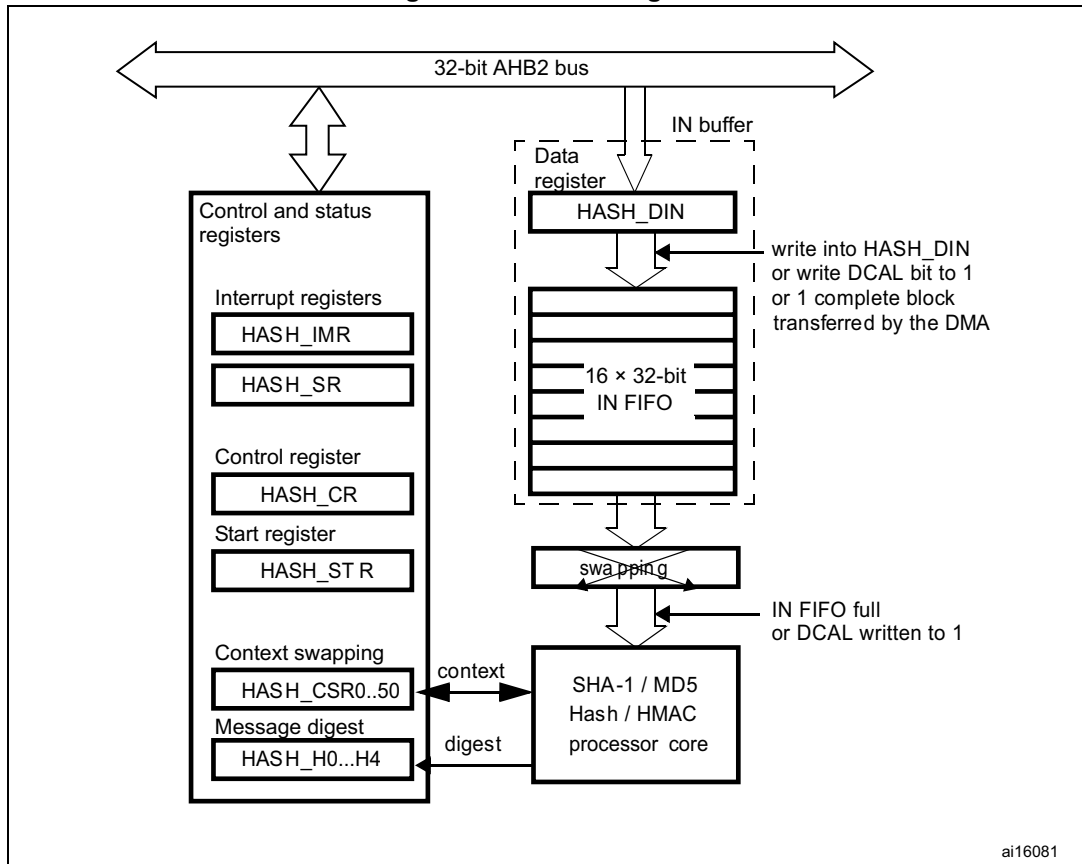
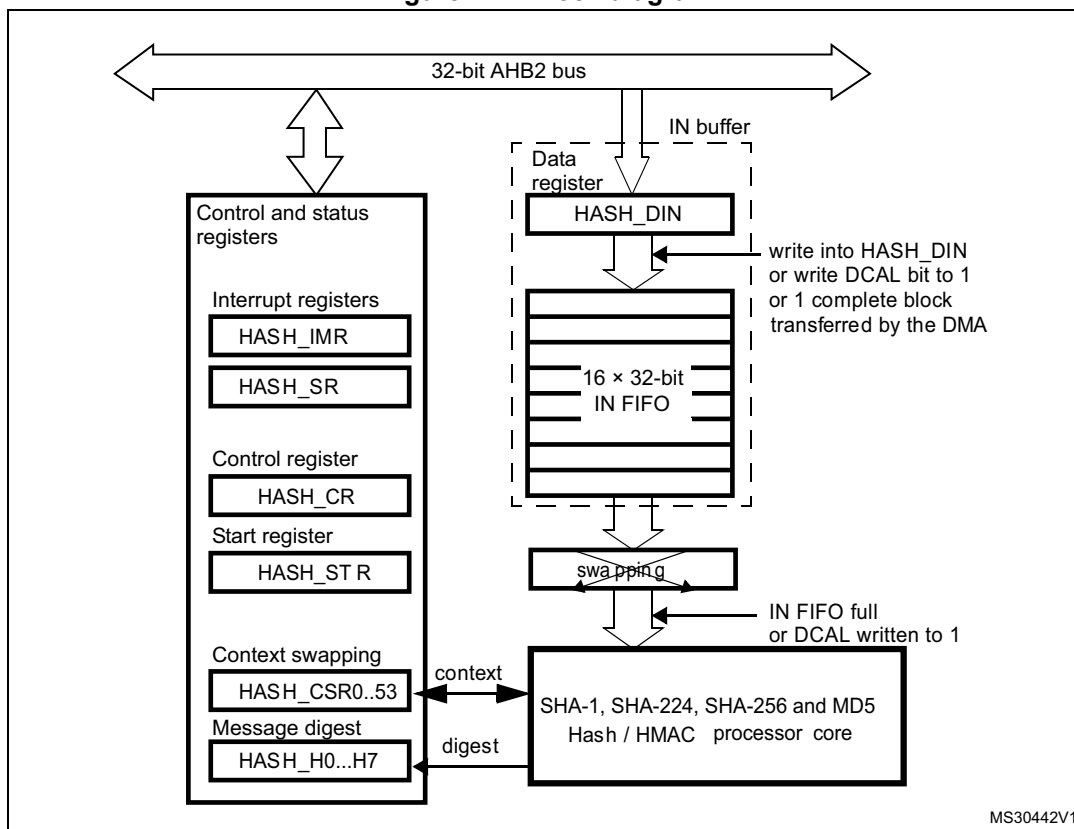


Figure 212. Block diagram



The FIPS PUB 180-2 standard and the IETF RFC 1321 publication specify the SHA-1, and MD5 secure hash algorithms, respectively, for computing a condensed representation of a message or data file. When a message of any length below 2^{64} bits is provided on input, the SHA-1, and MD5 produce respective a 160-bit, and 128-bit output string, respectively, called a message digest. The message digest can then be processed with a digital signature algorithm in order to generate or verify the signature for the message. Signing the message digest rather than the message often improves the efficiency of the process because the message digest is usually much smaller in size than the message. The verifier of a digital signature has to use the same hash algorithm as the one used by the creator of the digital signature.

The SHA-1, and MD5 are qualified as “secure” because it is computationally infeasible to find a message that corresponds to a given message digest, or to find two different messages that produce the same message digest. Any change to a message in transit, with very high probability, results in a different message digest, and the signature fails to verify. For more detail on the SHA-1 algorithm, refer to the FIPS PUB 180-2 (Federal Information Processing Standards Publication 180-2), 2002 august 1.

The current implementation of this standard works with little-endian input data convention. For example, the C string “abc” must be represented in memory as the 24-bit hexadecimal value 0x434241.

A message or data file to be processed by the hash processor should be considered a bit string. The length of the message is the number of bits in the message (the empty message has length 0). You can consider that 32 bits of this bit string forms a 32-bit word. Note that the FIPS PUB 180-1 standard uses the convention that bit strings grow from left to right, and

bits can be grouped as bytes (8 bits) or words (32 bits) (but some implementations also use half-words (16 bits), and implicitly, uses the big-endian byte (half-word) ordering. This convention is mainly important for padding (see [Section 1.3.4: Message padding on page 12](#)).

21.3.1 Duration of the processing

The computation of an intermediate block of a message takes:

- 66 HCLK clock cycles in SHA-1
- 50 HCLK clock cycles in MD5

to which you must add the time needed to load the 16 words of the block into the processor (at least 16 clock cycles for a 512-bit block).

The time needed to process the last block of a message (or of a key in HMAC) can be longer. This time depends on the length of the last block and the size of the key (in HMAC mode). Compared to the processing of an intermediate block, it can be increased by a factor of:

- 1 to 2.5 for a hash message
- around 2.5 for an HMAC input-key
- 1 to 2.5 for an HMAC message
- around 2.5 for an HMAC output key in case of a short key
- 3.5 to 5 for an HMAC output key in case of a long key

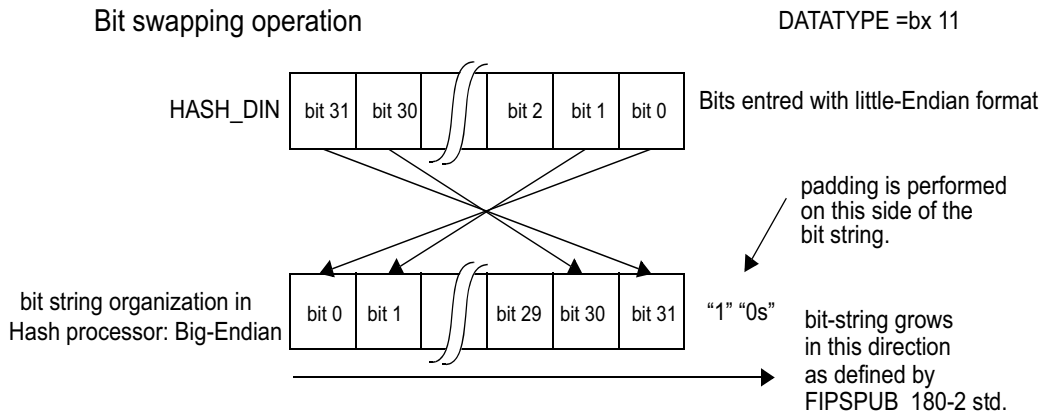
21.3.2 Data type

Data are entered into the hash processor 32 bits (word) at a time, by writing them into the HASH_DIN register. But the original bit-string can be organized in bytes, half-words or words, or even be represented as bits. As the system memory organization is little-endian and SHA1 computation is big-endian, depending on the way the original bit string is grouped, a bit, byte, or half-word swapping operation is performed automatically by the hash processor.

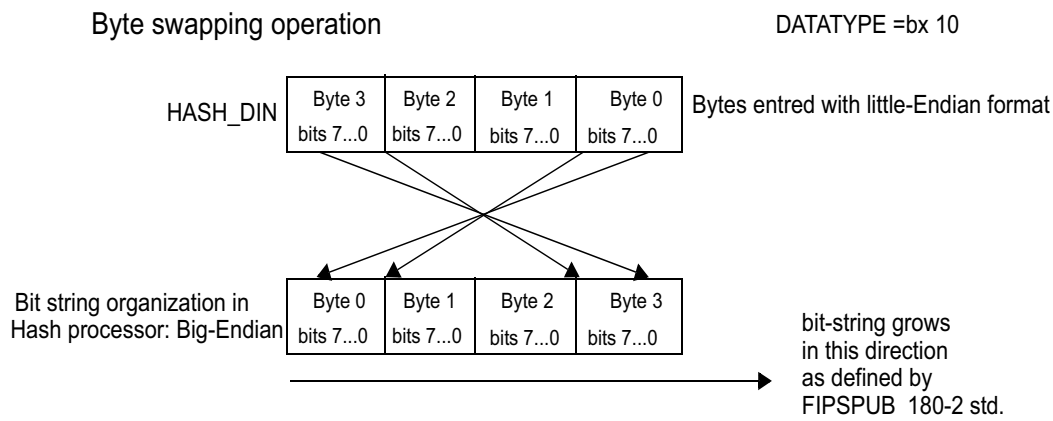
The kind of data to be processed is configured with the DATATYPE bitfield in the HASH control register (HASH_CR).

Figure 213. Bit, byte and half-word swapping

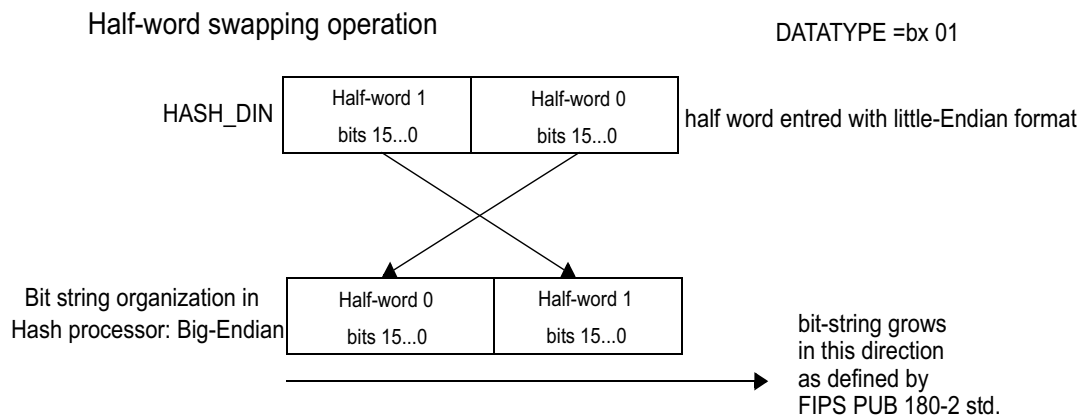
A-In case of binary data hash, all bits should be swapped as below



B-In case of byte data hash, all bytes should be swapped as below



C-In case of half-word hash, all half-word should be swapped as below



ai16082b

The least significant bit of the message has to be at position 0 (right) in the first word entered into the hash processor, the 32nd bit of the bit string has to be at position 0 in the second word entered into the hash processor and so on.

21.3.3 Message digest computing

The HASH sequentially processes blocks of 512 bits when computing the message digest. Thus, each time 16×32 -bit words (= 512 bits) have been written by the DMA or the CPU, into the hash processor, the HASH automatically starts computing the message digest. This operation is known as a partial digest computation.

The message to be processed is entered into the peripheral by 32-bit words written into the HASH_DIN register. The current contents of the HASH_DIN register are transferred to the input FIFO (IN FIFO) each time the register is written with new data. HASH_DIN and the input FIFO form a FIFO of a 17-word length (named the IN buffer).

The processing of a block can start only once the last value of the block has entered the IN FIFO. The peripheral must get the information as to whether the HASH_DIN register contains the last bits of the message or not. Two cases may occur:

- When the DMA is not used:
 - In case of a partial digest computation, this is done by writing an additional word into the HASH_DIN register (actually the first word of the next block). Then the software must wait until the processor is ready again (when DINIS=1) before writing new data into HASH_DIN.
 - In case of a final digest computation (last block entered), this is done by writing the DCAL bit to 1.
- When the DMA is used:

The contents of the HASH_DIN register are interpreted automatically with the information sent by the DMA controller.

 - The contents of the HASH_DIN register are interpreted automatically with the information sent by the DMA controller.

This process —data entering + partial digest computation— continues until the last bits of the original message are written to the HASH_DIN register. As the length (number of bits) of a message can be any integer value, the last word written into the HASH processor may have a valid number of bits between 1 and 32. This number of valid bits in the last word, NBLW, has to be written into the HASH_STR register, so that message padding is correctly performed before the final message digest computation.

Once this is done, writing into HASH_STR with bit DCAL = 1 starts the processing of the last entered block of message by the hash processor. This processing consists in:

- Automatically performing the message padding operation: the purpose of this operation is to make the total length of a padded message a multiple of 512. The HASH sequentially processes blocks of 512 bits when computing the message digest
- Computing the final message digest

When the DMA is enabled, it provides the information to the hash processor when it is transferring the last data word. Then the padding and digest computation are performed automatically as if DCAL had been written to 1.

21.3.4 Message padding

Message padding consists in appending a “1” followed by m “0”s followed by a 64-bit integer to the end of the original message to produce a padded message block of length 512. The “1” is added to the last word written into the HASH_DIN register at the bit position defined by the NBLW bitfield, and the remaining upper bits are cleared (“0”s).

Example: let us assume that the original message is the ASCII binary-coded form of “abc”, of length L = 24:

```

byte 0   byte 1   byte 2   byte 3
01100001 01100010 01100011 UUUUUUUU
<-- 1st word written to HASH_DIN -->

```

NBLW has to be loaded with the value 24: a “1” is appended at bit location 24 in the bit string (starting counting from left to right in the above bit string), which corresponds to bit 31 in the HASH_DIN register (little-endian convention):

```
01100001 01100010 01100011 1UUUUUUU
```

Since L = 24, the number of bits in the above bit string is 25, and 423 “0”s are appended, making now 448. This gives (in hexadecimal, big-endian format):

```

61626380 00000000 00000000 00000000
00000000 00000000 00000000 00000000
00000000 00000000 00000000 00000000
00000000 00000000

```

The L value, in two-word representation (that is 00000000 00000018) is appended. Hence the final padded message in hexadecimal:

```

61626380 00000000 00000000 00000000
00000000 00000000 00000000 00000000
00000000 00000000 00000000 00000000
00000000 00000000 00000000 00000028

```

If the HASH is programmed to use the little-endian byte input format, the above message has to be entered by doing the following steps:

1. 0xUU636261 is written into the HASH_DIN register (where ‘U’ means don’t care)
2. 0x18 is written into the HASH_STR register (the number of valid bits in the last word written into the HASH_DIN register is 24, as the original message length is 24 bits)
3. 0x10 is written into the HASH_STR register to start the message padding and digest computation. When NBLW ≠ 0x00, the message padding puts a “1” into the HASH_DIN register at the bit position defined by the NBLW value, and inserts “0”s at bit locations [31:(NBLW+1)]. When NBLW == 0x00, the message padding inserts one new word with value 0x0000 0001. Then an all zero word (0x0000 0000) is added and the message length in a two-word representation, to get a block of 16 x 32-bit words.
4. The HASH computing is performed, and the message digest is then available in the HASH_Hx registers (x = 0...4) for the SHA-1 algorithm. For example:

```

H0 = 0xA9993E36
H1 = 0x4706816A
H2 = 0xBA3E2571
H3 = 0x7850C26C
H4 = 0x9CD0D89D

```

21.3.5 Hash operation

The hash function (SHA-1, and MD5) is selected when the INIT bit is written to '1' in the HASH_CR register while the MODE bit is at '0' in HASH_CR. The algorithm (SHA-1, or MD5) is selected at the same time (that is when the INIT bit is set) using the ALGO bits.

The message can then be sent by writing it word by word into the HASH_DIN register. When a block of 512 bits—that is 16 words—has been written, a partial digest computation starts upon writing the first data of the next block. The hash processor remains busy for 66 cycles for the SHA-1 algorithm, or 50 cycles for the MD5 algorithm.

The process can then be repeated until the last word of the message. If DMA transfers are used, refer to the *Procedure where the data are loaded by DMA* section. Otherwise, if the message length is not an exact multiple of 512 bits, then the HASH_STR register has to be written to launch the computation of the final digest.

Once computed, the digest can be read from the HASH_H0...HASH_H4 registers (for the MD5 algorithm, HASH_H4 is not relevant).

21.3.6 HMAC operation

The HMAC algorithm is used for message authentication, by irreversibly binding the message being processed to a key chosen by the user. For HMAC specifications, refer to "HMAC: keyed-hashing for message authentication, H. Krawczyk, M. Bellare, R. Canetti, February 1997.

Basically, the algorithm consists of two nested hash operations:

$$\text{HMAC}(\text{message}) = \text{Hash}((\text{key} \mid \text{pad}) \text{ XOR } 0\text{x}5\text{C}) \\ \mid \text{Hash}((\text{key} \mid \text{pad}) \text{ XOR } 0\text{x}3\text{6}) \mid \text{message}]$$

where:

- **pad** is a sequence of zeroes needed to extend the key to the length of the underlying hash function data block (that is 512 bits for both the SHA-1, and MD5 hash algorithms)
- **|** represents the concatenation operator

To compute the HMAC, four different phases are required:

1. The block is initialized by writing the INIT bit to '1' with the MODE bit at '1' and the ALGO bits set to the value corresponding to the desired algorithm. The LKEY bit must also be set during this phase if the key being used is longer than 64 bytes (in this case, the HMAC specifications specify that the hash of the key should be used in place of the real key).
2. The key (to be used for the inner hash function) is then given to the core. This operation follows the same mechanism as the one used to send the message in the hash operation (that is, by writing into HASH_DIN and, finally, into HASH_STR).
3. Once the last word has been entered and computation has started, the hash processor elaborates the key. It is then ready to accept the message text using the same mechanism as the one used to send the message in the hash operation.
4. After the first hash round, the hash processor returns "ready" to indicate that it is ready to receive the key to be used for the outer hash function (normally, this key is the same as the one used for the inner hash function). When the last word of the key is entered and computation starts, the HMAC result is made available in the HASH_H0...HASH_H4 registers.

Note: 1 The computation latency of the HMAC primitive depends on the lengths of the keys and message. You could the HMAC as two nested underlying hash functions with the same key length (long or short).

21.3.7 Context swapping

It is possible to interrupt a hash/HMAC process to perform another processing with a higher priority, and to complete the interrupted process later on, when the higher-priority task is complete. To do so, the context of the interrupted task must be saved from the hash registers to memory, and then be restored from memory to the hash registers.

The procedures where the data flow is controlled by software or by DMA are described below.

Procedure where the data are loaded by software

The context can be saved only when no block is currently being processed. That is, you must wait for $DINIS = 1$ (the last block has been processed and the input FIFO is empty) or $NBW \neq 0$ (the FIFO is not full and no processing is ongoing).

- Context saving:

Store the contents of the following registers into memory:

- HASH_IMR
- HASH_STR
- HASH_CR
- HASH_CSR0 to HASH_CSR50.

- Context restoring:

The context can be restored when the high-priority task is complete. Follow the sequence below.

- a) Write the following registers with the values saved in memory: HASH_IMR, HASH_STR and HASH_CR
- b) Initialize the hash processor by setting the INIT bit in the HASH_CR register
- c) Write the HASH_CSR0 to HASH_CSR50 registers with the values saved in memory

You can now restart the processing from the point where it has been interrupted.

Procedure where the data are loaded by DMA

In this case it is not possible to predict if a DMA transfer is in progress or if the process is ongoing. Thus, you must stop the DMA transfers, then wait until the HASH is ready in order to interrupt the processing of a message.

- Interrupting a processing:
 - Clear the DMAE bit to disable the DMA interface
 - Wait until the current DMA transfer is complete (wait for DMAES = 0 in the HASH_SR register). Note that the block may or not have been totally transferred to the HASH.
 - Disable the corresponding channel in the DMA controller
 - Wait until the hash processor is ready (no block is being processed), that is wait for DINIS = 1
- The context saving and context restoring phases are the same as above (see [Procedure where the data are loaded by software](#)).

Reconfigure the DMA controller so that it transfers the end of the message. You can now restart the processing from the point where it was interrupted by setting the DMAE bit.

Note: If context swapping does not involve HMAC operations, the HASH_CSR38 to HASH_CSR50 registers do not have to be saved and restored.

If context swapping occurs between two blocks (the last block was completely processed and the next block has not yet been pushed into the IN FIFO, NBW = 000 in the HASH_CR register), the HASH_CSR22 to HASH_CSR37 registers do not have to be saved and restored.

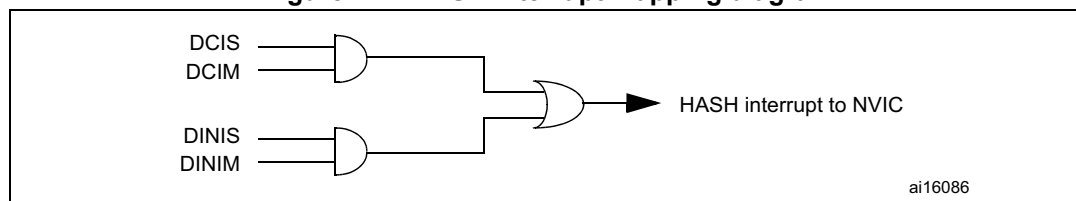
21.3.8 HASH interrupt

There are two individual maskable interrupt sources generated by the HASH processor. They are connected to the same interrupt vector.

You can enable or disable the interrupt sources individually by changing the mask bits in the HASH_IMR register. Setting the appropriate mask bit to 1 enables the interrupt.

The status of the individual interrupt sources can be read from the HASH_SR register.

Figure 214. HASH interrupt mapping diagram



21.4 HASH registers

The HASH core is associated with several control and status registers and five message digest registers.

All these registers are accessible through word accesses only, else an AHB error is generated.

21.4.1 HASH control register (HASH_CR)

Address offset: 0x00

Reset value: 0x0000 0000

31	30	29	28	27	26	25	24	23	22	21	20	19	18	17	16
Reserved															LKEY
															rw
15	14	13	12	11	10	9	8	7	6	5	4	3	2	1	0
Reserved		DINNE	NBW				ALGO[0]	MODE	DATATYPE		DMAE	INIT	Reserved		
		r	r	r	r	r	rw	rw	rw	rw	rw	w			

Bits 31:17 Reserved, forced by hardware to 0.

Bit 16 **LKEY**: Long key selection

This bit selects between short key (≤ 64 bytes) or long key (> 64 bytes) in HMAC mode

0: Short key (≤ 64 bytes)

1: Long key (> 64 bytes)

Note: This selection is only taken into account when the INIT bit is set and MODE = 1. Changing this bit during a computation has no effect.

Bits 15:13 Reserved, forced by hardware to 0.

Bit 12 **DINNE**: DIN not empty

This bit is set when the HASH_DIN register holds valid data (that is after being written at least once). It is cleared when either the INIT bit (initialization) or the DCAL bit (completion of the previous message processing) is written to 1.

0: No data are present in the data input buffer

1: The input buffer contains at least one word of data

Bits 11:8 **NBW**: Number of words already pushed

This bitfield reflects the number of words in the message that have already been pushed into the IN FIFO.

NBW increments (+1) when a write access is performed to the HASH_DIN register while DINNE = 1.

It goes to 0000 when the INIT bit is written to 1 or when a digest calculation starts (DCAL written to 1 or DMA end of transfer).

” If the DMA is not used:

0000 and DINNE=0: no word has been pushed into the DIN buffer (the buffer is empty, both the HASH_DIN register and the IN FIFO are empty)

0000 and DINNE=1: 1 word has been pushed into the DIN buffer (The HASH_DIN register contains 1 word, the IN FIFO is empty)

0001: 2 words have been pushed into the DIN buffer (the HASH_DIN register and the IN FIFO contain 1 word each)

...

1111: 16 words have been pushed into the DIN buffer

” If the DMA is used, NBW is the exact number of words that have been pushed into the IN FIFO.

Bit 7 **ALGO[1:0]**: Algorithm selection

These bits selects the SHA-1 or the MD5 algorithm:

0: SHA-1 algorithm selected

1: MD5 algorithm selected

Note: This selection is only taken into account when the INIT bit is set. Changing this bit during a computation has no effect.

Bit 6 **MODE**: Mode selection

This bit selects the HASH or HMAC mode for the selected algorithm:

0: Hash mode selected

1: HMAC mode selected. LKEY must be set if the key being used is longer than 64 bytes.

Note: This selection is only taken into account when the INIT bit is set. Changing this bit during a computation has no effect.

Bits 5:4 **DATATYPE**: Data type selection

Defines the format of the data entered into the HASH_DIN register:

00: 32-bit data. The data written into HASH_DIN are directly used by the HASH processing, without reordering.

01: 16-bit data, or half-word. The data written into HASH_DIN are considered as 2 half-words, and are swapped before being used by the HASH processing.

10: 8-bit data, or bytes. The data written into HASH_DIN are considered as 4 bytes, and are swapped before being used by the HASH processing.

11: bit data, or bit-string. The data written into HASH_DIN are considered as 32 bits (1st bit of the sting at position 0), and are swapped before being used by the HASH processing (1st bit of the string at position 31).

Bit 3 **DMAE**: DMA enable

0: DMA transfers disabled

1: DMA transfers enabled. A DMA request is sent as soon as the HASH core is ready to receive data.

Note: 1: This bit is cleared by hardware when the DMA asserts the DMA terminal count signal (while transferring the last data of the message). This bit is not cleared when the INIT bit is written to 1.

2: If this bit is written to 0 while a DMA transfer has already been requested to the DMA, DMAE is cleared but the current transfer is not aborted. Instead, the DMA interface remains internally enabled until the transfer is complete or INIT is written to 1.

Bit 2 **INIT**: Initialize message digest calculation

Writing this bit to 1 resets the hash processor core, so that the HASH is ready to compute the message digest of a new message.

Writing this bit to 0 has no effect.

Reading this bit always return 0.

Bits 1:0 Reserved, must be kept cleared.

21.4.2 HASH data input register (HASH_DIN)

Address offset: 0x04

Reset value: 0x0000 0000

HASH_DIN is the data input register. It is 32-bit wide. It is used to enter the message by blocks of 512 bits. When the HASH_DIN register is written to, the value presented on the AHB databus is ‘pushed’ into the HASH core and the register takes the new value presented on the AHB databus. The DATATYPE bits must previously have been configured in the HASH_CR register to get a correct message representation.

When a block of 16 words has been written to the HASH_DIN register, an intermediate digest calculation is launched:

- by writing new data into the HASH_DIN register (the first word of the next block) if the DMA is not used (intermediate digest calculation)
- automatically if the DMA is used

When the last block has been written to the HASH_DIN register, the final digest calculation (including padding) is launched:

- by writing the DCAL bit to 1 in the HASH_STR register (final digest calculation)
- automatically if the DMA is used.

When a digest calculation (intermediate or final) is in progress, any new write access to the HASH_DIN register is extended (by wait-state insertion on the AHB bus) until the HASH calculation completes.

When the HASH_DIN register is read, the last word written in this location is accessed (zero after reset).

31	30	29	28	27	26	25	24	23	22	21	20	19	18	17	16
DATAIN															
rw	rw	rw	rw	rw	rw	rw	rw	rw	rw	rw	rw	rw	rw	rw	rw
15	14	13	12	11	10	9	8	7	6	5	4	3	2	1	0
DATAIN															
rw	rw	rw	rw	rw	rw	rw	rw	rw	rw	rw	rw	rw	rw	rw	rw

Bits 31:0 **DATAIN**: Data input

Read = returns the current register content.

Write = the current register content is pushed into the IN FIFO, and the register takes the new value presented on the AHB databus.

21.4.3 HASH start register (HASH_STR)

Address offset: 0x08

Reset value: 0x0000 0000

The HASH_STR register has two functions:

- It is used to define the number of valid bits in the last word of the message entered in the hash processor (that is the number of valid least significant bits in the last data written into the HASH_DIN register)
- It is used to start the processing of the last block in the message by writing the DCAL bit to 1

31	30	29	28	27	26	25	24	23	22	21	20	19	18	17	16	
Reserved																
15	14	13	12	11	10	9	8	7	6	5	4	3	2	1	0	
Reserved							DCAL	Reserved				NBLW				
							w					rw	rw	rw	rw	rw

Bits 31:9 Reserved, forced by hardware to 0.

Bit 8 **DCAL**: Digest calculation

Writing this bit to 1 starts the message padding, using the previously written value of NBLW, and starts the calculation of the final message digest with all data words written to the IN FIFO since the INIT bit was last written to 1.

Reading this bit returns 0.

Note

Bits 7:5 Reserved, forced by hardware to 0.

Bits 4:0 **NBLW**: Number of valid bits in the last word of the message in the bit string organization of hash processor

When these bits are written and DCAL is at '0', they take the value on the AHB databus:

0x00: All 32 bits of the last data written in the bit string organization of hash processor (after data swapping) are valid.

0x01: Only bit [31] of the last data written in the bit string organization of hash processor (after data swapping) are valid

0x02: Only bits [31:30] of the last data written in the bit string organization of hash processor (after data swapping) are valid

0x03: Only bits [31:29] of the last data written in the bit string organization of hash processor (after data swapping) are valid

...

0x1F: Only bits [0] of the last data written in the bit string organization of hash processor (after data swapping) are valid

When these bits are written and DCAL is at '1', the bitfield is not changed.

Reading them returns the last value written to NBLW.

Note: These bits must be configured before setting the DCAL bit, else they are not taken into account. Especially, it is not possible to configure NBLW and set DCAL at the same time.

21.4.4 HASH digest registers (HASH_HR0..4)

Address offset: 0x0C to 0x1C

Reset value: 0x0000 0000

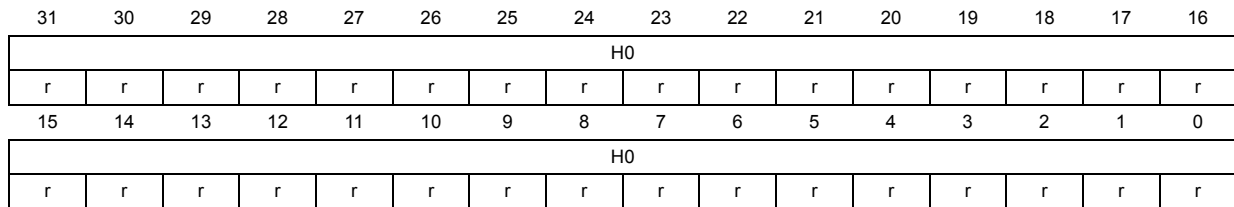
These registers contain the message digest result named as:

1. H0, H1, H2, H3 and H4, respectively, in the SHA1 algorithm description
2. A, B, C and D, respectively, in the MD5 algorithm description
 Note that in this case, the HASH_H4 is not used, and is read as zero.
3. H0 to H6, respectively, in the SHA224 algorithm description,
4. H0 to H7, respectively, in the SHA256 algorithm description,

If a read access to one of these registers occurs while the HASH core is calculating an intermediate digest or a final message digest (that is when the DCAL bit has been written to 1), then the read is stalled until the completion of the HASH calculation.

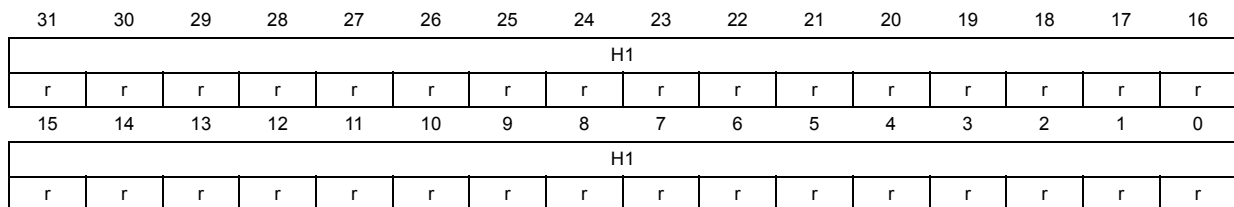
HASH_HR0

Address offset: 0x0C



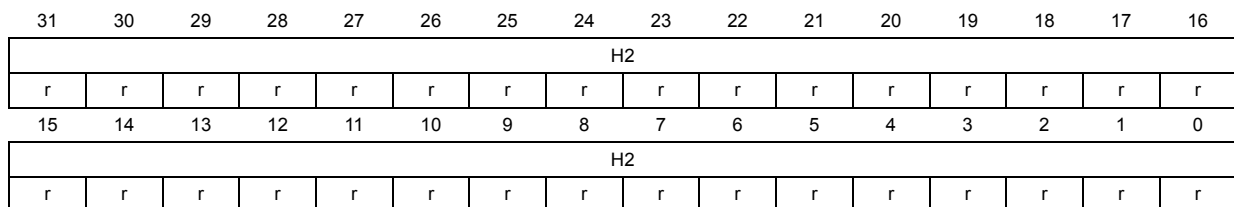
HASH_HR1

Address offset: 0x10



HASH_HR2

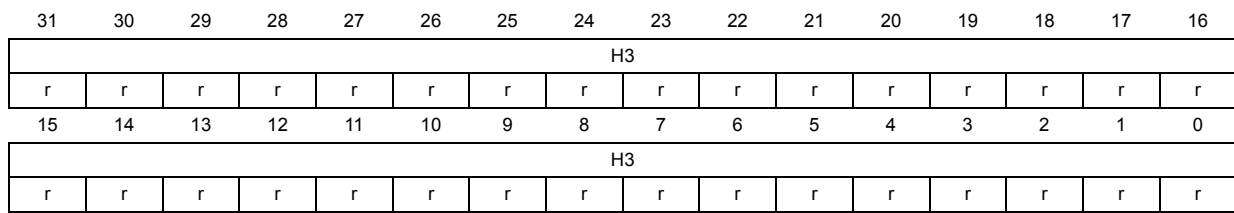
Address offset: 0x14



HASH_HR3

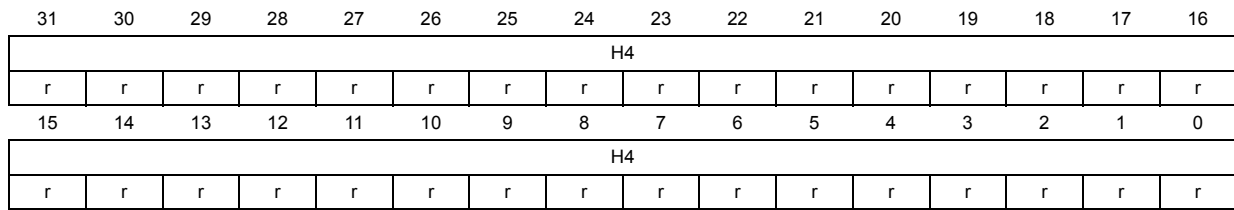
Address offset: 0x18





HASH_HR4

Address offset: 0x1C

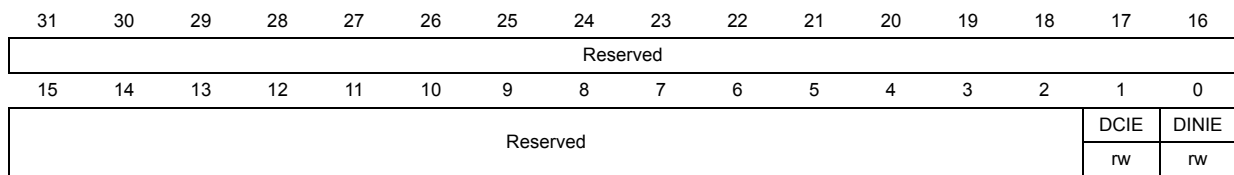


Note: When starting a digest computation for a new bit stream (by writing the INIT bit to 1), these registers assume their reset values.

21.4.5 HASH interrupt enable register (HASH_IMR)

Address offset: 0x20

Reset value: 0x0000 0000



Bits 31:2 Reserved, forced by hardware to 0.

Bit 1 **DCIE**: Digest calculation completion interrupt enable
 0: Digest calculation completion interrupt disabled
 1: Digest calculation completion interrupt enabled.

Bit 0 **DINIE**: Data input interrupt enable
 0: Data input interrupt disabled
 1: Data input interrupt enabled

21.4.6 HASH status register (HASH_SR)

Address offset: 0x24

Reset value: 0x0000 0001

31	30	29	28	27	26	25	24	23	22	21	20	19	18	17	16
Reserved															
15	14	13	12	11	10	9	8	7	6	5	4	3	2	1	0
Reserved												BUSY	DMAS	DCIS	DINIS
												r	r	rc_w0	rc_w0

Bits 31:4 Reserved, forced by hardware to 0.

Bit 3 **BUSY**: Busy bit

- 0: No block is currently being processed
- 1: The hash core is processing a block of data

Bit 2 **DMAS**: DMA Status

This bit provides information on the DMA interface activity. It is set with DMAE and cleared when DMAE=0 and no DMA transfer is ongoing. No interrupt is associated with this bit.

- 0: DMA interface is disabled (DMAE=0) and no transfer is ongoing
- 1: DMA interface is enabled (DMAE=1) or a transfer is ongoing

Bit 1 **DCIS**: Digest calculation completion interrupt status

This bit is set by hardware when a digest becomes ready (the whole message has been processed). It is cleared by writing it to 0 or by writing the INIT bit to 1 in the HASH_CR register.

- 0: No digest available in the HASH_Hx registers
- 1: Digest calculation complete, a digest is available in the HASH_Hx registers. An interrupt is generated if the DCIE bit is set in the HASH_IMR register.

Bit 0 **DINIS**: Data input interrupt status

This bit is set by hardware when the input buffer is ready to get a new block (16 locations are free). It is cleared by writing it to 0 or by writing the HASH_DIN register.

- 0: Less than 16 locations are free in the input buffer
- 1: A new block can be entered into the input buffer. An interrupt is generated if the DINIE bit is set in the HASH_IMR register.

21.4.7 HASH context swap registers (HASH_CSRx)

Address offset: 0x0F8 to 0x1C0

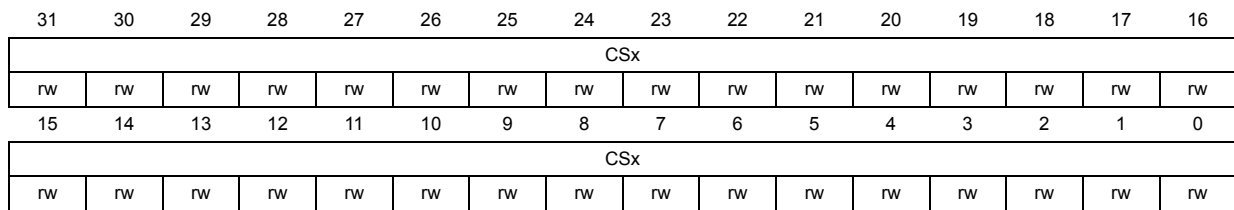
- For HASH_CSR0 register: Reset value is 0x0000 0002.
- For others registers: Reset value is 0x0000 0000

These registers contain the complete internal register states of the hash processor, and are useful when a context swap has to be done because a high-priority task has to use the hash processor while it is already in use by another task.

When such an event occurs, the HASH_CSRx registers have to be read and the read values have to be saved somewhere in the system memory space. Then the hash processor can be used by the preemptive task, and when hash computation is finished, the saved context can be read from memory and written back into these HASH_CSRx registers.

HASH_CSRx

Address offset: 0x0F8 to 0x1C0



21.4.8 HASH register map

Table 9 gives the summary HASH register map and reset values.

Table 77. HASH register map and reset values

Offset	Register name reset value	Register size																																		
		31	30	29	28	27	26	25	24	23	22	21	20	19	18	17	16	15	14	13	12	11	10	9	8	7	6	5	4	3	2	1	0			
0x00	HASH_CR	Reserved																LKEY	Reserved			DINNE			NBW			ALGO[0]		MODE	DATATYPE		DMAE	INIT	Reserved	
	Reset value	0																0	0			0			0			0	0	0		0	0	0		
0x04	HASH_DIN	DATAIN																																		
	Reset value	0	0	0	0	0	0	0	0	0	0	0	0	0	0	0	0	0	0	0	0	0	0	0	0	0	0	0	0	0	0	0	0	0	0	
0x08	HASH_STR	Reserved																								DCAL		Reserved			NBLW					
	Reset value	0																								0		0			0					
0x0C	HASH_HR0	H0																																		
	Reset value	0	0	0	0	0	0	0	0	0	0	0	0	0	0	0	0	0	0	0	0	0	0	0	0	0	0	0	0	0	0	0	0	0		
0x10	HASH_HR1	H1																																		
	Reset value	0	0	0	0	0	0	0	0	0	0	0	0	0	0	0	0	0	0	0	0	0	0	0	0	0	0	0	0	0	0	0	0	0		
0x14	HASH_HR2	H2																																		
	Reset value	0	0	0	0	0	0	0	0	0	0	0	0	0	0	0	0	0	0	0	0	0	0	0	0	0	0	0	0	0	0	0	0	0		
0x18	HASH_HR3	H3																																		
	Reset value	0	0	0	0	0	0	0	0	0	0	0	0	0	0	0	0	0	0	0	0	0	0	0	0	0	0	0	0	0	0	0	0	0		
0x1C	HASH_HR4	H4																																		
	Reset value	0	0	0	0	0	0	0	0	0	0	0	0	0	0	0	0	0	0	0	0	0	0	0	0	0	0	0	0	0	0	0	0	0		
0x20	HASH_IMR	Reserved																												DCIE		DINIE				
	Reset value	0	0	0	0	0	0	0	0	0	0	0	0	0	0	0	0	0	0	0	0	0	0	0	0	0	0	0	0	0	0	0	0	0		
0x24	HASH_SR	Reserved																								BUSY		DMAS		DCIS		DINIS				
	Reset value	0																								0		0		0		1				
0xF8	HASH_CSR0	CSR0																																		
	Reset value	0	0	0	0	0	0	0	0	0	0	0	0	0	0	0	0	0	0	0	0	0	0	0	0	0	0	0	0	0	0	0	0	1	0	
		...																																		
0x1C0	HASH_CSR50	CSR50																																		
	Reset value	0	0	0	0	0	0	0	0	0	0	0	0	0	0	0	0	0	0	0	0	0	0	0	0	0	0	0	0	0	0	0	0	0	0	
		Reserved																																		
0x310	HASH_HR0	H0																																		
	Reset value	0	0	0	0	0	0	0	0	0	0	0	0	0	0	0	0	0	0	0	0	0	0	0	0	0	0	0	0	0	0	0	0	0	0	
0x314	HASH_HR1	H1																																		
	Reset value	0	0	0	0	0	0	0	0	0	0	0	0	0	0	0	0	0	0	0	0	0	0	0	0	0	0	0	0	0	0	0	0	0	0	

Table 77. HASH register map and reset values (continued)

Offset	Register name reset value	Register size																																
		31	30	29	28	27	26	25	24	23	22	21	20	19	18	17	16	15	14	13	12	11	10	9	8	7	6	5	4	3	2	1	0	
0x318	HASH_HR2	H2																																
	Reset value	0	0	0	0	0	0	0	0	0	0	0	0	0	0	0	0	0	0	0	0	0	0	0	0	0	0	0	0	0	0	0	0	0
0x31C	HASH_HR3	H3																																
	Reset value	0	0	0	0	0	0	0	0	0	0	0	0	0	0	0	0	0	0	0	0	0	0	0	0	0	0	0	0	0	0	0	0	0
0x320	HASH_HR4	H4																																
	Reset value	0	0	0	0	0	0	0	0	0	0	0	0	0	0	0	0	0	0	0	0	0	0	0	0	0	0	0	0	0	0	0	0	0

22 Real-time clock (RTC)

This section applies to the whole STM32F20x and STM32F21x family, unless otherwise specified.

22.1 Introduction

The real-time clock (RTC) is an independent BCD timer/counter. The RTC provides a time-of-day clock/calendar, two programmable alarm interrupts, and a periodic programmable wake-up flag with interrupt capability. The RTC also includes an automatic wake-up unit to manage low-power modes.

Two 32-bit registers contain the seconds, minutes, hours (12- or 24-hour format), day (day of week), date (day of month), month, and year, expressed in binary coded decimal format (BCD).

Compensations for 28-, 29- (leap year), 30-, and 31-day months are performed automatically. Daylight saving time compensation can also be performed.

Additional 32-bit registers contain the programmable alarm seconds, minutes, hours, day, and date.

A digital calibration feature is available to compensate for any deviation in crystal oscillator accuracy.

After backup domain reset, all RTC registers are protected against possible parasitic write accesses.

As long as the supply voltage remains in the operating range, the RTC never stops, regardless of the device status (Run mode, low-power mode or under reset).

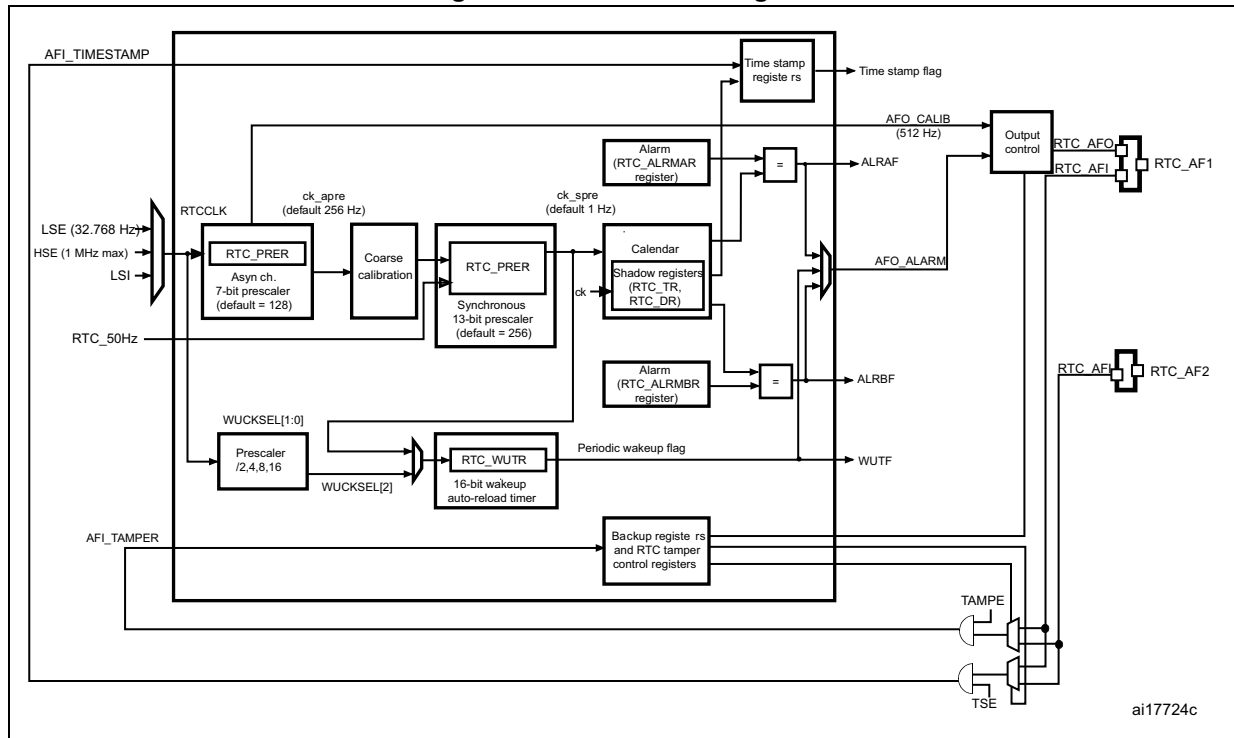
22.2 RTC main features

The RTC unit main features are the following (see [Figure 215: RTC block diagram](#)):

- Calendar with seconds, minutes, hours (12 or 24 format), day (day of week), date (day of month), month, and year.
- Daylight saving compensation programmable by software.
- Two programmable alarms with interrupt function. The alarms can be triggered by any combination of the calendar fields.
- Automatic wake-up unit generating a periodic flag that triggers an automatic wake-up interrupt.
- Reference clock detection: a more precise second source clock (50 or 60 Hz) can be used to enhance the calendar precision.
- Maskable interrupts/events:
 - Alarm A
 - Alarm B
 - Wake-up interrupt
 - Timestamp
 - Tamper detection
- Digital calibration circuit (periodic counter correction)
 - 5 ppm accuracy
- Timestamp function for event saving (1 event)
- Tamper detection:
 - 1 tamper event on edge detection
- 20 backup registers (80 bytes). The backup registers are reset when a tamper detection event occurs.
- RTC alternate function outputs (RTC_AFO):
 - AFO_CALIB: 512 Hz clock output (with an LSE frequency of 32.768 kHz). It is routed to the device RTC_AF1 pin.
 - AFO_ALARM: Alarm A or Alarm B or wake-up (only one can be selected). It is routed to the device RTC_AF1 pin.
- RTC alternate function inputs (RTC_AFI):
 - AFI_TAMPER1: tamper event detection. It is routed to the device RTC_AF1 and RTC_AF2 pins.
 - AFI_TIMESTAMP: timestamp event detection. It is routed to the device RTC_AF1 and RTC_AF2 pins.

Note: Refer to [Section 6.4.1: GPIO port mode register \(GPIOx_MODER\) \(x = A..I\)](#) for more details on how to select RTC alternate functions (RTC_AF1 and RTC_AF2).

Figure 215. RTC block diagram



1. On STM32F20x and STM32F21x devices, the RTC_AF1 and RTC_AF2 alternate functions are connected to PC13 and PI8, respectively.

22.3 RTC functional description

22.3.1 Clock and prescalers

The RTC clock source (RTCCLK) is selected through the clock controller among the LSE clock, the LSI oscillator clock, and the HSE clock. For more information on the RTC clock source configuration, refer to [Section 5: Reset and clock control \(RCC\)](#).

A programmable prescaler stage generates a 1 Hz clock which is used to update the calendar. To minimize power consumption, the prescaler is split into 2 programmable prescalers (see [Figure 215: RTC block diagram](#)):

- A 7-bit asynchronous prescaler configured through the PREDIV_A bits of the RTC_PRER register.
- A 13-bit synchronous prescaler configured through the PREDIV_S bits of the RTC_PRER register.

Note: When both prescalers are used, it is recommended to configure the asynchronous prescaler to a high value to minimize consumption.

The asynchronous prescaler division factor is set to 128, and the synchronous division factor to 256, to obtain an internal clock frequency of 1 Hz (ck_spre) with an LSE frequency of 32.768 kHz.

The minimum division factor is 2 and the maximum division factor is 2^{20} .

This corresponds to a maximum input frequency of around 1 MHz.

f_{ck_spre} is given by the following formula:

$$f_{CK_SPRE} = \frac{f_{RTCCLK}}{(PREDIV_S + 1) \times (PREDIV_A + 1)}$$

The ck_spre clock can be used either to update the calendar or as timebase for the 16-bit wake-up auto-reload timer. To obtain short timeout periods, the 16-bit wake-up auto-reload timer can also run with the RTCCLK divided by the programmable 4-bit asynchronous prescaler (see [Section 22.3.4: Periodic auto-wakeup](#) for details).

22.3.2 Real-time clock and calendar

The RTC calendar time and date registers are accessed through shadow registers which are synchronized with PCLK1 (APB1 clock).

- RTC_TR for the time
- RTC_DR for the date

Every two RTCCLK periods, the current calendar value is copied into the shadow registers, and the RSF bit of RTC_ISR register is set (see [Section 22.6.4](#)). The copy is not performed in Stop and Standby mode. When exiting these modes, the shadow registers are updated after up to 2 RTCCLK periods.

When the application reads the calendar registers, it accesses the content of the shadow registers.

When reading the RTC_TR or RTC_DR registers, the frequency of the APB clock (f_{APB}) must be at least 7 times the frequency of the RTC clock (f_{RTCCLK}).

The shadow registers are reset by system reset.

22.3.3 Programmable alarms

The RTC unit provides two programmable alarms, Alarm A and Alarm B.

The programmable alarm functions are enabled through the ALRAIE and ALRBIE bits in the RTC_CR register. The ALRAF and ALRBF flags are set to 1 if the calendar seconds, minutes, hours, date or day match the values programmed in the alarm registers RTC_ALRMAR and RTC_ALRMBR, respectively. Each calendar field can be independently selected through the MSKx bits of the RTC_ALRMAR and RTC_ALRMBR registers. The alarm interrupts are enabled through the ALRAIE and ALRBIE bits in the RTC_CR register.

Alarm A and Alarm B (if enabled by bits OSEL[1:0] in RTC_CR register) can be routed to the AFO_ALARM output. AFO_ALARM polarity can be configured through bit POL in the RTC_CR register.

Caution: If the seconds field is selected (MSK0 bit reset in RTC_ALRMAR or RTC_ALRMBR), the synchronous prescaler division factor set in the RTC_PRER register must be at least 3 to ensure correct behavior.

22.3.4 Periodic auto-wakeup

The periodic wake-up flag is generated by a 16-bit programmable auto-reload down-counter. The wake-up timer range can be extended to 17 bits.

The wake-up function is enabled through the WUTE bit in the RTC_CR register.

The wake-up timer clock input can be:

- RTC clock (RTCCLK) divided by 2, 4, 8, or 16.
When RTCCLK is LSE(32.768kHz), this allows configuring the wake-up interrupt period from 122 μ s to 32 s, with a resolution down to 61 μ s.
- ck_spre (usually 1 Hz internal clock)
When ck_spre frequency is 1Hz, this allows achieving a wake-up time from 1 s to around 36 hours with one-second resolution. This large programmable time range is divided in 2 parts:
 - from 1s to 18 hours when WUCKSEL [2:1] = 10
 - and from around 18h to 36h when WUCKSEL[2:1] = 11. In this last case 2¹⁶ is added to the 16-bit counter current value. When the initialization sequence is complete (see [Programming the wake-up timer on page 567](#)), the timer starts counting down. When the wake-up function is enabled, the down-counting remains active in low-power modes. In addition, when it reaches 0, the WUTF flag is set in the RTC_ISR register, and the wake-up counter is automatically reloaded with its reload value (RTC_WUTR register value).

The WUTF flag must then be cleared by software.

When the periodic wake-up interrupt is enabled by setting the WUTIE bit in the RTC_CR2 register, it can exit the device from low-power modes.

The periodic wake-up flag can be routed to the AFO_ALARM output provided it has been enabled through bits OSEL[1:0] of RTC_CR register. AFO_ALARM polarity can be configured through the POL bit in the RTC_CR register.

System reset, as well as low-power modes (Sleep, Stop and Standby) have no influence on the wake-up timer.

22.3.5 RTC initialization and configuration

RTC register access

The RTC registers are 32-bit registers. The APB interface introduces 2 wait-states in RTC register accesses.

RTC register write protection

After system reset, the RTC registers are protected against parasitic write access with the DBP bit of the PWR power control register (PWR_CR). The DBP bit must be set to enable RTC registers write access.

After backup domain reset, all the RTC registers are write-protected. Writing to the RTC registers is enabled by writing a key into the Write Protection register, RTC_WPR.

The following steps are required to unlock the write protection on all the RTC registers except for RTC_ISR[13:8], RTC_TAFCR, and RTC_BKPxR.

1. Write '0xCA' into the RTC_WPR register.
2. Write '0x53' into the RTC_WPR register.

Writing a wrong key reactivates the write protection.

The protection mechanism is not affected by system reset.

Calendar initialization and configuration

To program the initial time and date calendar values, including the time format and the prescaler configuration, the following sequence is required:

1. Set INIT bit to 1 in the RTC_ISR register to enter initialization mode. In this mode, the calendar counter is stopped and its value can be updated.
2. Poll INITF bit of in the RTC_ISR register. The initialization phase mode is entered when INITF is set to 1. It takes from 1 to 2 RTCCLK clock cycles (due to clock synchronization).
3. To generate a 1 Hz clock for the calendar counter, program first the synchronous prescaler factor in RTC_PRER register, and then program the asynchronous prescaler factor. Even if only one of the two fields needs to be changed, 2 separate write accesses must be performed to the RTC_PRER register.
4. Load the initial time and date values in the shadow registers (RTC_TR and RTC_DR), and configure the time format (12 or 24 hours) through the FMT bit in the RTC_CR register.
5. Exit the initialization mode by clearing the INIT bit. The actual calendar counter value is then automatically loaded and the counting restarts after 4 RTCCLK clock cycles.

When the initialization sequence is complete, the calendar starts counting.

Note: After a system reset, the application can read the INITS flag in the RTC_ISR register to check if the calendar has been initialized or not. If this flag equals 0, the calendar has not been initialized since the year field is set at its backup domain reset default value (0x00).
To read the calendar after initialization, the software must first check that the RSF flag is set in the RTC_ISR register.

Daylight saving time

The daylight saving time management is performed through bits SUB1H, ADD1H, and BKP of the RTC_CR register.

Using SUB1H or ADD1H, the software can subtract or add one hour to the calendar in one single operation without going through the initialization procedure.

In addition, the software can use the BKP bit to memorize this operation.

Programming the alarm

A similar procedure must be followed to program or update the programmable alarm (Alarm A or Alarm B):

1. Clear ALRAE or ALRBIE in RTC_CR to disable Alarm A or Alarm B.
2. Poll ALRAWF or ALRBWF in RTC_ISR until it is set to make sure the access to alarm registers is allowed. This takes 1 to 2 RTCCLK clock cycles (due to clock synchronization).
3. Program the Alarm A or Alarm B registers (RTC_ALRMAR or RTC_ALRMBR).
4. Set ALRAE or ALRBIE in the RTC_CR register to enable Alarm A or Alarm B again.

Note: Each change of the RTC_CR register is taken into account after 1 to 2 RTCCLK clock cycles due to clock synchronization.

Programming the wake-up timer

The following sequence is required to configure or change the wake-up timer auto-reload value (WUT[15:0] in RTC_WUTR):

1. Clear WUTE in RTC_CR to disable the wake-up timer.
2. Poll WUTWF until it is set in RTC_ISR to make sure the access to wake-up auto-reload counter and to WUCKSEL[2:0] bits is allowed. It takes 1 to 2 RTCCLK clock cycles (due to clock synchronization).
3. Program the wake-up auto-reload value WUT[15:0], and the wake-up clock selection (WUCKSEL[2:0] bits in RTC_CR). Set WUTE in RTC_CR to enable the timer again. The wake-up timer restarts down-counting. The WUTWF bit is cleared up to 2 RTCCLK clocks cycles after WUTE is cleared, due to clock synchronization.

22.3.6 Reading the calendar

To read the RTC calendar registers (RTC_TR and RTC_DR) properly, the APB1 clock frequency (f_{PCLK1}) must be equal to or greater than seven times the f_{RTCCLK} RTC clock frequency. This ensures a secure behavior of the synchronization mechanism.

If the APB clock frequency is less than seven times the RTC clock frequency, the software must read the calendar time and date registers twice. If the second read of the RTC_TR gives the same result as the first read, this ensures that the data is correct. Otherwise a third read access must be done. In any case the APB1 clock frequency must never be lower than the RTC clock frequency.

The RSF bit is set in RTC_ISR register each time the calendar registers are copied into the RTC_TR and RTC_DR shadow registers. The copy is performed every two RTCCLK cycles. To ensure consistency between the 2 values, reading RTC_TR locks the values in the higher-order calendar shadow registers until RTC_DR is read. In case the software makes read accesses to the calendar in a time interval smaller than 2 RTCCLK periods: RSF must be cleared by software after the first calendar read, and then the software must wait until RSF is set before reading again the RTC_TR and RTC_DR registers.

After waking up from low-power mode (Stop or Standby), RSF must be cleared by software. The software must then wait until it is set again before reading the RTC_TR and RTC_DR registers.

The RSF bit must be cleared after wake-up and not before entering low-power mode.

Note: After a system reset, the software must wait until RSF is set before reading the RTC_TR and RTC_DR registers. Indeed, a system reset resets the shadow registers to their default values.

After an initialization (refer to [Calendar initialization and configuration on page 566](#)): the software must wait until RSF is set before reading the RTC_TR and RTC_DR registers.

22.3.7 Resetting the RTC

The calendar shadow registers (RTC_TR and RTC_DR) and some bits of the RTC status register (RTC_ISR) are reset to their default values by all available system reset sources.

On the contrary, the following registers are reset to their default values by a backup domain reset and are not affected by a system reset: the RTC current calendar registers, the RTC control register (RTC_CR), the prescaler register (RTC_PRER), the RTC calibration registers (RTC_CALIBR), the RTC timestamp registers (RTC_TSTR and RTC_TSDR), the RTC tamper and alternate function configuration register (RTC_TAFCR),

the RTC backup registers (RTC_BKPxR), the wake-up timer register (RTC_WUTR), the Alarm A and Alarm B registers (RTC_ALRMAR and RTC_ALRMBR).

In addition, when the RTC is clocked by the LSE, it goes on running under system reset if the reset source is different from a backup domain reset one. Refer to section *RTC clock* of the *Reset and clock controller* for details about the list of the RTC clock sources that are not affected by system reset.

When a backup domain reset occurs, the RTC is stopped and all the RTC registers are set to their reset values.

22.3.8 RTC reference clock detection

The RTC calendar update can be synchronized to a reference clock RTC_REFIN, usually the mains (50 or 60 Hz). The RTC_REFIN reference clock should have a higher precision than the 32.768 kHz LSE clock. When the RTC_REFIN detection is enabled (REFCKON bit of RTC_CR set to 1), the calendar is still clocked by the LSE, and RTC_REFIN is used to compensate for the imprecision of the calendar update frequency (1 Hz).

Each 1 Hz clock edge is compared to the nearest reference clock edge (if one is found within a given time window). In most cases, the two clock edges are properly aligned. When the 1 Hz clock becomes misaligned due to the imprecision of the LSE clock, the RTC shifts the 1 Hz clock a bit so that future 1 Hz clock edges are aligned. Thanks to this mechanism, the calendar becomes as precise as the reference clock.

The RTC detects if the reference clock source is present by using the 256 Hz clock (ck_apre) generated from the 32.768 kHz quartz. The detection is performed during a time window around each of the calendar updates (every 1 s). The window equals 7 ck_apre periods when detecting the first reference clock edge. A smaller window of 3 ck_apre periods is used for subsequent calendar updates.

Each time the reference clock is detected in the window, the synchronous prescaler which outputs the ck_spre clock is forced to reload. This has no effect when the reference clock and the 1 Hz clock are aligned because the prescaler is being reloaded at the same moment. When the clocks are not aligned, the reload shifts future 1 Hz clock edges a little for them to be aligned with the reference clock.

If the reference clock halts (no reference clock edge occurred during the 3 ck_apre window), the calendar is updated continuously based solely on the LSE clock. The RTC then waits for the reference clock using a large 7 ck_apre period detection window centered on the ck_spre edge.

When the reference clock detection is enabled, PREDIV_A and PREDIV_S must be set to their default values:

- PREDIV_A = 0x007F
- PREDIV_S = 0x00FF

Note: The reference clock detection is not available in Standby mode.

Caution: The reference clock detection feature cannot be used in conjunction with the coarse digital calibration: RTC_CALIBR must be kept at 0x0000 0000 when REFCKON=1.

22.3.9 RTC coarse digital calibration

The coarse digital calibration can be used to compensate crystal inaccuracy by adding (positive calibration) or masking (negative calibration) clock cycles at the output of the asynchronous prescaler (ck_apre).

Positive and negative calibration are selected by setting the DCS bit in RTC_CALIBR register to '0' and '1', respectively.

When positive calibration is enabled (DCS = '0'), 2 ck_apre cycles are added every minute (around 15360 ck_apre cycles) for 2xDC minutes. This causes the calendar to be updated sooner, thereby adjusting the effective RTC frequency to be a bit higher.

When negative calibration is enabled (DCS = '1'), 1 ck_apre cycle is removed every minute (around 15360 ck_apre cycles) for 2xDC minutes. This causes the calendar to be updated later, thereby adjusting the effective RTC frequency to be a bit lower.

DC is configured through bits DC[4:0] of RTC_CALIBR register. This number ranges from 0 to 31 corresponding to a time interval (2xDC) ranging from 0 to 62.

The coarse digital calibration can be configured only in initialization mode, and starts when the INIT bit is cleared. The full calibration cycle lasts 64 minutes. The first 2xDC minutes of the 64 -minute cycle are modified as just described.

Negative calibration can be performed with a resolution of about 2 ppm while positive calibration can be performed with a resolution of about 4 ppm. The maximum calibration ranges from -63 ppm to 126 ppm.

The calibration can be performed either on the LSE or on the HSE clock.

Caution: Digital calibration may not work correctly if PREDIV_A < 6.

Case of RTCCLK=32.768 kHz and PREDIV_A+1=128

The following description assumes that ck_apre frequency is 256 Hz obtained with an LSE clock nominal frequency of 32.768 kHz, and PREDIV_A set to 127 (default value).

The ck_spre clock frequency is only modified during the first 2xDC minutes of the 64-minute cycle. For example, when DC equals 1, only the first 2 minutes are modified. This means that the first 2xDC minutes of each 64-minute cycle have, once per minute, one second either shortened by 256 or lengthened by 128 RTCCLK cycles, given that each ck_apre cycle represents 128 RTCCLK cycles (with PREDIV_A+1=128).

Therefore each calibration step has the effect of adding 512 or subtracting 256 oscillator cycles for every 125829120 RTCCLK cycles (64min x 60 s/min x 32768 cycles/s). This is equivalent to +4.069 ppm or -2.035 ppm per calibration step. As a result, the calibration resolution is +10.5 or -5.27 seconds per month, and the total calibration ranges from +5.45 to -2.72 minutes per month.

In order to measure the clock deviation, a 512 Hz clock is output for calibration. Refer to [Section 22.3.12: Calibration clock output](#).

22.3.10 Timestamp function

Timestamp is enabled by setting the TSE bit of RTC_CR register to 1.

The calendar is saved in the timestamp registers (RTC_TSTR, RTC_TSDR) when a timestamp event is detected on the pin to which the TIMESTAMP alternate function is

mapped. When a timestamp event occurs, the timestamp flag bit (TSF) in RTC_ISR register is set.

By setting the TSIE bit in the RTC_CR register, an interrupt is generated when a timestamp event occurs.

If a new timestamp event is detected while the timestamp flag (TSF) is already set, the timestamp overflow flag (TSOVF) flag is set and the timestamp registers (RTC_TSTR and RTC_TSDR) maintain the results of the previous event.

Note: *TSF is set 2 ck_{apre} cycles after the timestamp event occurs due to synchronization process.*

There is no delay in the setting of TSOVF. This means that if two timestamp events are close together, TSOVF can be seen as '1' while TSF is still '0'. As a consequence, it is recommended to poll TSOVF only after TSF has been set.

Caution: If a timestamp event occurs immediately after the TSF bit is supposed to be cleared, then both TSF and TSOVF bits are set. To avoid masking a timestamp event occurring at the same moment, the application must not write '0' into TSF bit unless it has already read it to '1'.

TIMESTAMP alternate function

The TIMESTAMP alternate function can be mapped to either RTC_AF1 or RTC_AF2 depending on the value of the TSINSEL bit in the RTC_TAFCR register (see [Section 22.6.13 on page 586](#)). Mapping the timestamp event on RTC_AF2 is not allowed if RTC_AF1 is used as TAMPER in filtered mode (TAMPFLT set to a non-zero value).

22.3.11 Tamper detection

Two tamper detection inputs are available. They can be configured either for edge detection, or for level detection with filtering.

RTC backup registers

The backup registers (RTC_BKPxR) are twenty 32-bit registers for storing 80 bytes of user application data. They are implemented in the backup domain that remains powered-on by V_{BAT} when the V_{DD} power is switched off. They are not reset by system reset or when the device wakes up from Standby mode. They are reset by a backup domain reset.

The backup registers are reset when a tamper detection event occurs (see [Section 22.6.14: RTC backup registers \(RTC_BKPxR\)](#) and [Tamper detection initialization on page 570](#)).

Tamper detection initialization

The tamper detection input is associated with the TAMP1F flag in the RTC_ISR register. The input can be enabled by setting the TAMP1E bit to 1 in the RTC_TAFCR register.

A tamper detection event resets all backup registers (RTC_BKPxR).

By setting the TAMPIE bit in the RTC_TAFCR register, an interrupt is generated when a tamper detection event occurs.

Edge detection on tamper inputs

TAMPER pins generate tamper detection events when either a rising edge is observed or an falling edge is observed depending on the corresponding TAMPxTRG bit. The internal pull-up resistors on the TAMPER inputs are deactivated when edge detection is selected.

Caution: To avoid losing tamper detection events, the signal used for edge detection is logically ANDed with TAMPxE in order to detect a tamper detection event in case it occurs before the TAMPERx pin is enabled.

- When TAMPxTRG = 0: if the TAMPERx alternate function is already high before tamper detection is enabled (TAMPxE bit set to 1), a tamper event is detected as soon as TAMPERx is enabled, even if there was no rising edge on TAMPERx after TAMPxE was set.
- When TAMPxTRG = 1: if the TAMPERx alternate function is already low before tamper detection is enabled, a tamper event is detected as soon as TAMPERx is enabled (even if there was no falling edge on TAMPERx after TAMPxE was set).

After a tamper event has been detected and cleared, the TAMPERx alternate function should be disabled and then re-enabled (TAMPxE set to 1) before re-programming the backup registers (RTC_BKPxR). This prevents the application from writing to the backup registers while the TAMPERx value still indicates a tamper detection. This is equivalent to a level detection on the TAMPERx alternate function.

Note: Tamper detection is still active when V_{DD} power is switched off. To avoid unwanted resetting of the backup registers, the pin to which the TAMPER alternate function is mapped should be externally tied to the correct level.

TAMPER alternate function detection

The TAMPER1 alternate function can be mapped either to RTC_AF1(PC13) or RTC_AF2 (PI8) depending on the value of TAMP1INSEL bit in RTC_TAFCR register (see [Section 22.6.13: RTC tamper and alternate function configuration register \(RTC_TAFCR\)](#)). TAMPE bit must be cleared when TAMP1INSEL is modified to avoid unwanted setting of TAMPF.

22.3.12 Calibration clock output

When the COE bit is set to 1 in the RTC_CR register, a reference clock is provided on the RTC_CALIB device output. If PREDIV_A = 0x7F, the RTC_CALIB frequency is $f_{\text{RTCCLK}}/64$. This corresponds to a calibration output at 512 Hz for an RTCCLK frequency at 32.768 kHz.

The RTC_CALIB output is not impacted by the calibration value programmed in RTC_CALIBR register. The RTC_CALIB duty cycle is irregular: there is a light jitter on falling edges. It is therefore recommended to use rising edges.

Calibration alternate function output

When the COE bit in the RTC_CR register is set to 1, the calibration alternate function (AFO_CALIB) is enabled on RTC_AF1.

Note: When RTC_CALIB or RTC_ALARM is selected, RTC_AF1 is automatically configured in output alternate function.

22.3.13 Alarm output

Three functions can be selected on Alarm output: ALRAF, ALRBF and WUTF. These functions reflect the contents of the corresponding flags in the RTC_ISR register.

The OSEL[1:0] control bits in the RTC_CR register are used to activate the alarm alternate function output (AFO_ALARM) in RTC_AF1, and to select the function which is output on AFO_ALARM.

The polarity of the output is determined by the POL control bit in RTC_CR so that the opposite of the selected flag bit is output when POL is set to 1.

Alarm alternate function output

AFO_ALARM can be configured in output open drain or output push-pull using the control bit ALARMOUTTYPE in the RTC_TAFCR register.

Note: Once AFO_ALARM is enabled, it has priority over AFO_CALIB (COE bit is don't care on RTC_AF1).

When RTC_CALIB or RTC_ALARM is selected, RTC_AF1 is automatically configured in output alternate function.

22.4 RTC and low-power modes

Table 78. Effect of low-power modes on RTC

Mode	Description
Sleep	No effect RTC interrupts cause the device to exit the Sleep mode.
Stop	The RTC remains active when the RTC clock source is LSE or LSI. RTC alarm, RTC tamper event, RTC time stamp event, and RTC Wake-up cause the device to exit the Stop mode.
Standby	The RTC remains active when the RTC clock source is LSE or LSI. RTC alarm, RTC tamper event, RTC time stamp event, and RTC Wake-up cause the device to exit the Standby mode.

22.5 RTC interrupts

All RTC interrupts are connected to the EXTI controller.

To enable the RTC Alarm interrupt, the following sequence is required:

1. Configure and enable the EXTI Line 17 in interrupt mode and select the rising edge sensitivity.
2. Configure and enable the RTC_Alarm IRQ channel in the NVIC.
3. Configure the RTC to generate RTC alarms (Alarm A or Alarm B).

To enable the RTC Wake-up interrupt, the following sequence is required:

1. Configure and enable the EXTI Line 22 in interrupt mode and select the rising edge sensitivity.
2. Configure and enable the RTC_WKUP IRQ channel in the NVIC.
3. Configure the RTC to generate the RTC wake-up timer event.

To enable the RTC Tamper interrupt, the following sequence is required:

1. Configure and enable the EXTI Line 21 in interrupt mode and select the rising edge sensitivity.
2. Configure and Enable the TAMP_STAMP IRQ channel in the NVIC.
3. Configure the RTC to detect the RTC tamper event.

To enable the RTC TimeStamp interrupt, the following sequence is required:

1. Configure and enable the EXTI Line 21 in interrupt mode and select the rising edge sensitivity.
2. Configure and Enable the TAMP_STAMP IRQ channel in the NVIC.
3. Configure the RTC to detect the RTC timestamp event.

Table 79. Interrupt control bits

Interrupt event	Event flag	Enable control bit	Exit the Sleep mode	Exit the Stop mode	Exit the Standby mode
Alarm A	ALRAF	ALRAIE	yes	yes ⁽¹⁾	yes ⁽¹⁾
Alarm B	ALRBF	ALRBIE	yes	yes ⁽¹⁾	yes ⁽¹⁾
Wake-up	WUTF	WUTIE	yes	yes ⁽¹⁾	yes ⁽¹⁾
TimeStamp	TSF	TSIE	yes	yes ⁽¹⁾	yes ⁽¹⁾
Tamper1 detection	TAMP1F	TAMPIE	yes	yes ⁽¹⁾	yes ⁽¹⁾

1. Wake-up from STOP and Standby modes is possible only when the RTC clock source is LSE or LSI.

22.6 RTC registers

Refer to [Section 1.1: List of abbreviations for registers for registers](#) for a list of abbreviations used in register descriptions.

The peripheral registers have to be accessed by words (32 bits).

22.6.1 RTC time register (RTC_TR)

The RTC_TR is the calendar time shadow register. This register must be written in initialization mode only. Refer to [Calendar initialization and configuration on page 566](#) and [Reading the calendar on page 567](#).

Address offset: 0x00

Backup domain reset value: 0x0000 0000

System reset: 0x0000 0000 before the RSF flag is set, then the correct value is available.

31	30	29	28	27	26	25	24	23	22	21	20	19	18	17	16
Reserved									PM	HT[1:0]		HU[3:0]			
									rw	rw	rw	rw	rw	rw	rw
15	14	13	12	11	10	9	8	7	6	5	4	3	2	1	0
Res.	MNT[2:0]			MNU[3:0]				Res.	ST[2:0]			SU[3:0]			
	rw	rw	rw	rw	rw	rw	rw		rw	rw	rw	rw	rw	rw	rw

Bits 31-24 Reserved

Bit 23 Reserved, must be kept at reset value.

Bit 22 **PM**: AM/PM notation
 0: AM or 24-hour format
 1: PM

Bits 21:20 **HT[1:0]**: Hour tens in BCD format

Bits 19:16 **HU[3:0]**: Hour units in BCD format

Bit 15 Reserved, must be kept at reset value.

Bits 14:12 **MNT[2:0]**: Minute tens in BCD format

Bit 11:8 **MNU[3:0]**: Minute units in BCD format

Bit 7 Reserved, must be kept at reset value.

Bits 6:4 **ST[2:0]**: Second tens in BCD format

Bits 3:0 **SU[3:0]**: Second units in BCD format

Note: [This register is write protected. The write access procedure is described in RTC register write protection on page 565.](#)

22.6.2 RTC date register (RTC_DR)

The RTC_DR is the calendar date shadow register. This register must be written in initialization mode only. Refer to [Calendar initialization and configuration on page 566](#) and [Reading the calendar on page 567](#).

Address offset: 0x04

Backup domain reset value: 0x0000 2101

System reset: 0x0000 2101 before the RSF flag is set, then the correct value is available.

31	30	29	28	27	26	25	24	23	22	21	20	19	18	17	16
Reserved								YT[3:0]				YU[3:0]			
								rw	rw	rw	rw	rw	rw	rw	rw
15	14	13	12	11	10	9	8	7	6	5	4	3	2	1	0
WDU[2:0]			MT	MU[3:0]				Reserved		DT[1:0]		DU[3:0]			
rw	rw	rw	rw	rw	rw	rw	rw			rw	rw	rw	rw	rw	rw

Bits 31-24 Reserved

Bits 23:20 **YT[3:0]**: Year tens in BCD format

Bits 19:16 **YU[3:0]**: Year units in BCD format

Bits 15:13 **WDU[2:0]**: Week day units

000: forbidden

001: Monday

...

111: Sunday

Bit 12 **MT**: Month tens in BCD format

Bits 11:8 **MU**: Month units in BCD format

Bits 7:6 Reserved, must be kept at reset value.

Bits 5:4 **DT[1:0]**: Date tens in BCD format

Bits 3:0 **DU[3:0]**: Date units in BCD format

Note: *This register is write protected. The write access procedure is described in [RTC register write protection on page 565](#).*

22.6.3 RTC control register (RTC_CR)

Address offset: 0x08

Backup domain reset value: 0x0000 0000

System reset: not affected

Reserved								COE	OSEL[1:0]		POL	Res.	BKP	SUB1H	ADD1H
								r/w	r/w	r/w	r/w		r/w	w	w
15	14	13	12	11	10	9	8	7	6	5	4	3	2	1	0
TSIE	WUTIE	ALRBIE	ALRAIE	TSE	WUTE	ALRBE	ALRAE	DCE	FMT	Res.	REFCKON	TSEDGE	WUCKSEL[2:0]		
r/w	r/w	r/w	r/w	r/w	r/w	r/w	r/w	r/w	r/w	r/w	r/w	r/w	r/w	r/w	r/w

Bits 31:24 Reserved, must be kept at reset value.

Bit 23 **COE**: Calibration output enable
 This bit enables the AFO_CALIB RTC output
 0: Calibration output disabled
 1: Calibration output enabled

Bits 22:21 **OSEL[1:0]**: Output selection
 These bits are used to select the flag to be routed to AFO_ALARM RTC output
 00: Output disabled
 01: Alarm A output enabled
 10: Alarm B output enabled
 11: Wake-up output enabled

Bit 20 **POL**: Output polarity
 This bit is used to configure the polarity of AFO_ALARM RTC output
 0: The pin is high when ALRAF/ALRBF/WUTF is asserted (depending on OSEL[1:0])
 1: The pin is low when ALRAF/ALRBF/WUTF is asserted (depending on OSEL[1:0]).

Bit 19 Reserved, must be kept at reset value.

Bit 18 **BKP**: Backup
 This bit can be written by the user to memorize whether the daylight saving time change has been performed or not.

Bit 17 **SUB1H**: Subtract 1 hour (winter time change)
 When this bit is set outside initialization mode, 1 hour is subtracted to the calendar time if the current hour is not 0. This bit is always read as 0.
 Setting this bit has no effect when current hour is 0.
 0: No effect
 1: Subtracts 1 hour to the current time. This can be used for winter time change.

Bit 16 **ADD1H**: Add 1 hour (summer time change)
 When this bit is set, 1 hour is added to the calendar time. This bit is always read as 0.
 0: No effect
 1: Adds 1 hour to the current time. This can be used for summer time change outside initialization mode.

Bit 15 **TSIE**: Timestamp interrupt enable
 0: Timestamp Interrupt disable
 1: Timestamp Interrupt enable

- Bit 14 **WUTIE**: Wake-up timer interrupt enable
 0: Wake-up timer interrupt disabled
 1: Wake-up timer interrupt enabled
- Bit 13 **ALRBIE**: Alarm B interrupt enable
 0: Alarm B Interrupt disable
 1: Alarm B Interrupt enable
- Bit 12 **ALRAIE**: Alarm A interrupt enable
 0: Alarm A interrupt disabled
 1: Alarm A interrupt enabled
- Bit 11 **TSE**: Time stamp enable
 0: Time stamp disable
 1: Time stamp enable
- Bit 10 **WUTE**: Wake-up timer enable
 0: Wake-up timer disabled
 1: Wake-up timer enabled
Note: When the wake-up timer is disabled, wait for WUTWF=1 before enabling it again.
- Bit 9 **ALRBE**: Alarm B enable
 0: Alarm B disabled
 1: Alarm B enabled
- Bit 8 **ALRAE**: Alarm A enable
 0: Alarm A disabled
 1: Alarm A enabled
- Bit 7 **DCE**: Coarse digital calibration enable
 0: Digital calibration disabled
 1: Digital calibration enabled
 PREDIV_A must be 6 or greater
- Bit 6 **FMT**: Hour format
 0: 24 hour/day format
 1: AM/PM hour format
- Bit 5 Reserved, must be kept at reset value.
- Bit 4 **REFCKON**: Reference clock detection enable (50 or 60 Hz)
 0: Reference clock detection disabled
 1: Reference clock detection enabled
Note: PREDIV_S must be 0x00FF.
- Bit 3 **TSEDGE**: Timestamp event active edge
 0: TIMESTAMP rising edge generates a timestamp event
 1: TIMESTAMP falling edge generates a timestamp event
 TSE must be reset when TSEDGE is changed to avoid unwanted TSF setting.
- Bits 2:0 **WUCKSEL[2:0]**: Wake-up clock selection
 000: RTC/16 clock is selected
 001: RTC/8 clock is selected
 010: RTC/4 clock is selected
 011: RTC/2 clock is selected
 10x: ck_spre (usually 1 Hz) clock is selected
 11x: ck_spre (usually 1 Hz) clock is selected and 2¹⁶ is added to the WUT counter value
 (see note below)

Note: $WUT = \text{Wake-up unit counter value. } WUT = (0x0000 \text{ to } 0xFFFF) + 0x10000 \text{ added when } WUCKSEL[2:1 = 11].$

Bits 7, 6 and 4 of this register can be written in initialization mode only (RTC_ISR/INITF = 1).

Bits 2 to 0 of this register can be written only when RTC_CR WUTE bit = 0 and RTC_ISR WUTWF bit = 1.

It is recommended not to change the hour during the calendar hour increment as it could mask the incrementation of the calendar hour.

ADD1H and SUB1H changes are effective in the next second.

To avoid spuriously setting of TSF, TSE must be reset when TSEDGE is changed.

This register is write protected. The write access procedure is described in [RTC register write protection on page 565](#).

22.6.4 RTC initialization and status register (RTC_ISR)

Address offset: 0x0C

Backup domain reset value: 0x0000 0007

System reset value: Not affected except INIT, INITF and RSF which are cleared to 0.

31	30	29	28	27	26	25	24	23	22	21	20	19	18	17	16	Res.
																Res.
15	14	13	12	11	10	9	8	7	6	5	4	3	2	1	0	
Res.	Res.	TAMP 1F	TSOVF	TSF	WUTF	ALRBF	ALRAF	INIT	INITF	RSF	INITS	Res.	WUT WF	ALRB WF	ALRA WF	
		rc_w0	rc_w0	rc_w0	rc_w0	rc_w0	rc_w0	rw	r	rc_w0	r		r	r	r	

Bits 31:14 Reserved

Bit 13 **TAMP1F**: Tamper detection flag

This flag is set by hardware when a tamper detection event is detected.
It is cleared by software writing 0.

Bit 12 **TSOVF**: Timestamp overflow flag

This flag is set by hardware when a timestamp event occurs while TSF is already set.
This flag is cleared by software by writing 0. It is recommended to check and then clear TSOVF only after clearing the TSF bit. Otherwise, an overflow might not be noticed if a timestamp event occurs immediately before the TSF bit is cleared.

Bit 11 **TSF**: Timestamp flag

This flag is set by hardware when a timestamp event occurs.
This flag is cleared by software by writing 0.

Bit 10 **WUTF**: Wake-up timer flag

This flag is set by hardware when the wake-up auto-reload counter reaches 0.
This flag is cleared by software by writing 0.
This flag must be cleared by software at least 1.5 RTCCLK periods before WUTF is set to 1 again.

Bit 9 **ALRBF**: Alarm B flag

This flag is set by hardware when the time/date registers (RTC_TR and RTC_DR) match the Alarm B register (RTC_ALRMBR).
This flag is cleared by software by writing 0.

- Bit 8 **ALRAF**: Alarm A flag
This flag is set by hardware when the time/date registers (RTC_TR and RTC_DR) match the Alarm A register (RTC_ALRMAR).
This flag is cleared by software by writing 0.
- Bit 7 **INIT**: Initialization mode
0: Free running mode
1: Initialization mode used to program time and date register (RTC_TR and RTC_DR), and prescaler register (RTC_PRER). Counters are stopped and start counting from the new value when INIT is reset.
- Bit 6 **INITF**: Initialization flag
When this bit is set to 1, the RTC is in initialization state, and the time, date and prescaler registers can be updated.
0: Calendar registers update is not allowed
1: Calendar registers update is allowed.
- Bit 5 **RSF**: Registers synchronization flag
This bit is set by hardware each time the calendar registers are copied into the shadow registers (RTC_TRx and RTC_DRx). This bit is cleared by hardware in initialization mode.
This bit can also be cleared by software.
0: Calendar shadow registers not yet synchronized
1: Calendar shadow registers synchronized
- Bit 4 **INITS**: Initialization status flag
This bit is set by hardware when the calendar year field is different from 0 (backup domain reset value state).
0: Calendar has not been initialized
1: Calendar has been initialized
- Bit 3 Reserved, must be kept at reset value.
- Bit 2 **WUTWF**: Wake-up timer write flag
This bit is set by hardware up to 2 RTCCLK cycles after the WUTE bit has been set to 0 in RTC_CR, and is cleared up to 2 RTCCLK cycles after the WUTE bit has been set to 1. The wake-up timer values can be changed when WUTE bit is cleared and WUTWF is set.
0: Wake-up timer configuration update not allowed
1: Wake-up timer configuration update allowed
- Bit 1 **ALRBWF**: Alarm B write flag
This bit is set by hardware when Alarm B values can be changed, after the ALRBIE bit has been set to 0 in RTC_CR.
It is cleared by hardware in initialization mode.
0: Alarm B update not allowed
1: Alarm B update allowed.
- Bit 0 **ALRAWF**: Alarm A write flag
This bit is set by hardware when Alarm A values can be changed, after the ALRAE bit has been set to 0 in RTC_CR.
It is cleared by hardware in initialization mode.
0: Alarm A update not allowed
1: Alarm A update allowed

Note: The ALRAF, ALRBF, WUTF and TSF bits are cleared 2 APB clock cycles after programming them to 0.

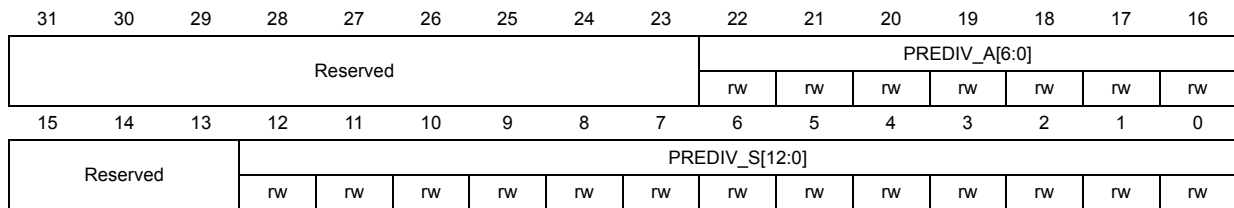
This register is write protected (except for RTC_ISR[13:8] bits). The write access procedure is described in [RTC register write protection on page 565](#).

22.6.5 RTC prescaler register (RTC_PRER)

Address offset: 0x10

Backup domain reset value: 0x007F 00FF

System reset: not affected



Bits 31:24 Reserved

Bit 23 Reserved, must be kept at reset value.

Bits 22:16 **PREDIV_A[6:0]**: Asynchronous prescaler factor

This is the asynchronous division factor:

$$ck_apre\ frequency = RTCCLK\ frequency / (PREDIV_A + 1)$$

Bits 15:13 Reserved, must be kept at reset value.

Bits 12:0 **PREDIV_S[12:0]**: Synchronous prescaler factor

This is the synchronous division factor:

$$ck_spre\ frequency = ck_apre\ frequency / (PREDIV_S + 1)$$

Note: This register must be written in initialization mode only. The initialization must be performed in two separate write accesses. Refer to [Calendar initialization and configuration on page 566](#)

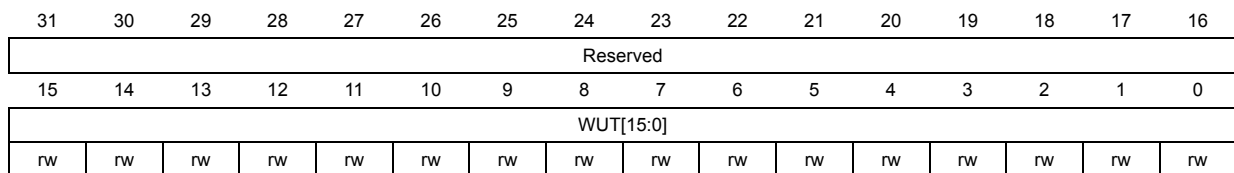
This register is write protected. The write access procedure is described in [RTC register write protection on page 565](#).

22.6.6 RTC wake-up timer register (RTC_WUTR)

Address offset: 0x14

Backup domain reset value: 0x0000 FFFF

System reset: not affected



Bits 31:16 Reserved

Bits 15:0 **WUT[15:0]**: Wake-up auto-reload value bits

When the wake-up timer is enabled (WUTE set to 1), the WUTF flag is set every (WUT[15:0] + 1) ck_wut cycles. The ck_wut period is selected through WUCKSEL[2:0] bits of the RTC_CR register

When WUCKSEL[2] = 1, the wake-up timer becomes 17-bits and WUCKSEL[1] effectively becomes WUT[16] the most-significant bit to be reloaded into the timer.

Note: The first assertion of WUTF occurs (WUT+1) ck_wut cycles after WUTE is set. Setting WUT[15:0] to 0x0000 with WUCKSEL[2:0] = 011 (RTCCLK/2) is forbidden.

Note: This register can be written only when WUTWF is set to 1 in RTC_ISR.

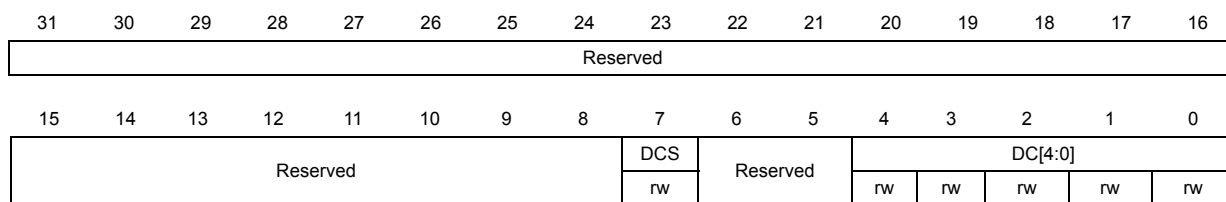
This register is write protected. The write access procedure is described in [RTC register write protection on page 565](#).

22.6.7 RTC calibration register (RTC_CALIBR)

Address offset: 0x18

Backup domain reset value: 0x0000 0000

System reset: not affected



Bits 31:8 Reserved

Bit 7 **DCS**: Digital calibration sign

0: Positive calibration: calendar update frequency is increased

1: Negative calibration: calendar update frequency is decreased

Bits 6:5 Reserved, must be kept at reset value.

Bits 4:0 **DC[4:0]**: Digital calibration

DCS = 0 (positive calibration)

00000: + 0 ppm

00001: + 4 ppm (rounded value)

00010: + 8 ppm (rounded value)

..

11111: + 126 ppm (rounded value)

DCS = 1 (negative calibration)

00000: -0 ppm

00001: -2 ppm (rounded value)

00010: -4 ppm (rounded value)

..

11111: -63 ppm (rounded value)

Refer to [Case of RTCCLK=32.768 kHz and PREDIV_A+1=128 on page 569](#) for the exact step value.

Note: This register can be written in initialization mode only (RTC_ISR/INITF = '1').
 This register is write protected. The write access procedure is described in [RTC register write protection on page 565](#).

22.6.8 RTC alarm A register (RTC_ALRMAR)

Address offset: 0x1C

Backup domain reset value: 0x0000 0000

System reset: not affected

31	30	29	28	27	26	25	24	23	22	21	20	19	18	17	16
MSK4	WDSEL	DT[1:0]		DU[3:0]				MSK3	PM	HT[1:0]		HU[3:0]			
rw	rw	rw	rw	rw	rw	rw	rw	rw	rw	rw	rw	rw	rw	rw	rw
15	14	13	12	11	10	9	8	7	6	5	4	3	2	1	0
MSK2	MNT[2:0]			MNU[3:0]				MSK1	ST[2:0]		SU[3:0]				
rw	rw	rw	rw	rw	rw	rw	rw	rw	rw	rw	rw	rw	rw	rw	rw

Bit 31 **MSK4**: Alarm A date mask
 0: Alarm A set if the date/day match
 1: Date/day don't care in Alarm A comparison

Bit 30 **WDSEL**: Week day selection
 0: DU[3:0] represents the date units
 1: DU[3:0] represents the week day. DT[1:0] is don't care.

Bits 29:28 **DT[1:0]**: Date tens in BCD format.

Bits 27:24 **DU[3:0]**: Date units or day in BCD format.

Bit 23 **MSK3**: Alarm A hours mask
 0: Alarm A set if the hours match
 1: Hours don't care in Alarm A comparison

Bit 22 **PM**: AM/PM notation
 0: AM or 24-hour format
 1: PM

Bits 21:20 **HT[1:0]**: Hour tens in BCD format.

Bits 19:16 **HU[3:0]**: Hour units in BCD format.

Bit 15 **MSK2**: Alarm A minutes mask
 0: Alarm A set if the minutes match
 1: Minutes don't care in Alarm A comparison

Bits 14:12 **MNT[2:0]**: Minute tens in BCD format.

Bits 11:8 **MNU[3:0]**: Minute units in BCD format.

Bit 7 **MSK1**: Alarm A seconds mask
 0: Alarm A set if the seconds match
 1: Seconds don't care in Alarm A comparison

Bits 6:4 **ST[2:0]**: Second tens in BCD format.

Bits 3:0 **SU[3:0]**: Second units in BCD format.

Note: This register can be written only when ALRAWF is set to 1 in RTC_ISR, or in initialization mode.

This register is write protected. The write access procedure is described in [RTC register write protection on page 565](#).

22.6.9 RTC alarm B register (RTC_ALRMBR)

Address offset: 0x20

Backup domain reset value: 0x0000 0000

System reset: not affected

31	30	29	28	27	26	25	24	23	22	21	20	19	18	17	16
MSK4	WDSEL	DT[1:0]		DU[3:0]				MSK3	PM	HT[1:0]		HU[3:0]			
rw	rw	rw	rw	rw	rw	rw	rw	rw	rw	rw	rw	rw	rw	rw	rw
15	14	13	12	11	10	9	8	7	6	5	4	3	2	1	0
MSK2	MNT[2:0]			MNU[3:0]				MSK1	ST[2:0]			SU[3:0]			
rw	rw	rw	rw	rw	rw	rw	rw	rw	rw	rw	rw	rw	rw	rw	rw

Bit 31 **MSK4**: Alarm B date mask
 0: Alarm B set if the date and day match
 1: Date and day don't care in Alarm B comparison

Bit 30 **WDSEL**: Week day selection
 0: DU[3:0] represents the date units
 1: DU[3:0] represents the week day. DT[1:0] is don't care.

Bits 29:28 **DT[1:0]**: Date tens in BCD format

Bits 27:24 **DU[3:0]**: Date units or day in BCD format

Bit 23 **MSK3**: Alarm B hours mask
 0: Alarm B set if the hours match
 1: Hours don't care in Alarm B comparison

Bit 22 **PM**: AM/PM notation
 0: AM or 24-hour format
 1: PM

Bits 21:20 **HT[1:0]**: Hour tens in BCD format

Bits 19:16 **HU[3:0]**: Hour units in BCD format

Bit 15 **MSK2**: Alarm B minutes mask
 0: Alarm B set if the minutes match
 1: Minutes don't care in Alarm B comparison

Bits 14:12 **MNT[2:0]**: Minute tens in BCD format

Bits 11:8 **MNU[3:0]**: Minute units in BCD format

Bit 7 **MSK1**: Alarm B seconds mask
 0: Alarm B set if the seconds match
 1: Seconds don't care in Alarm B comparison

Bits 6:4 **ST[2:0]**: Second tens in BCD format

Bits 3:0 **SU[3:0]**: Second units in BCD format



Note: This register can be written only when ALRBWF is set to 1 in RTC_ISR, or in initialization mode.

This register is write protected. The write access procedure is described in [RTC register write protection on page 565](#).

22.6.10 RTC write protection register (RTC_WPR)

Address offset: 0x24

Backup domain reset value: 0x0000 0000

31	30	29	28	27	26	25	24	23	22	21	20	19	18	17	16
Reserved															
15	14	13	12	11	10	9	8	7	6	5	4	3	2	1	0
Reserved								KEY							
								w	w	w	w	w	w	w	w

Bits 31:8 Reserved, must be kept at reset value.

Bits 7:0 **KEY**: Write protection key

This byte is written by software.

Reading this byte always returns 0x00.

Refer to [RTC register write protection](#) for a description of how to unlock RTC register write protection.

22.6.11 RTC time stamp time register (RTC_TSTR)

Address offset: 0x30

Backup domain reset value: 0x0000 0000

System reset: not affected

31	30	29	28	27	26	25	24	23	22	21	20	19	18	17	16
Reserved									PM	HT[1:0]		HU[3:0]			
									r	r	r	r	r	r	r
15	14	13	12	11	10	9	8	7	6	5	4	3	2	1	0
Res.	MNT[2:0]			MNU[3:0]				Res.	ST[2:0]			SU[3:0]			
	r	r	r	r	r	r	r		r	r	r	r	r	r	r

Bits 31:23 Reserved, must be kept at reset value.

Bit 22 **PM**: AM/PM notation

0: AM or 24-hour format

1: PM

Bits 21:20 **HT[1:0]**: Hour tens in BCD format.

Bits 19:16 **HU[3:0]**: Hour units in BCD format.

Bit 15 Reserved, must be kept at reset value.

Bits 14:12 **MNT[2:0]**: Minute tens in BCD format.

- Bits 11:8 **MNU[3:0]**: Minute units in BCD format.
- Bit 7 Reserved, must be kept at reset value.
- Bits 6:4 **ST[2:0]**: Second tens in BCD format.
- Bits 3:0 **SU[3:0]**: Second units in BCD format.

Note: The content of this register is valid only when TSF is set to 1 in RTC_ISR. It is cleared when TSF bit is reset.

22.6.12 RTC time stamp date register (RTC_TSDR)

Address offset: 0x34

Backup domain reset value: 0x0000 0000

System reset: not affected

31	30	29	28	27	26	25	24	23	22	21	20	19	18	17	16	
Reserved																
15	14	13	12	11	10	9	8	7	6	5	4	3	2	1	0	
WDU[1:0]			MT	MU[3:0]				Reserved			DT[1:0]		DU[3:0]			
r	r	r	r	r	r	r	r	Reserved			r	r	r	r	r	r

- Bits 31:16 Reserved, must be kept at reset value.
- Bits 15:13 **WDU[1:0]**: Week day units
- Bit 12 **MT**: Month tens in BCD format
- Bits 11:8 **MU[3:0]**: Month units in BCD format
- Bits 7:6 Reserved, must be kept at reset value.
- Bits 5:4 **DT[1:0]**: Date tens in BCD format
- Bit 3:0 **DU[3:0]**: Date units in BCD format

Note: The content of this register is valid only when TSF is set to 1 in RTC_ISR. It is cleared when TSF bit is reset.

22.6.13 RTC tamper and alternate function configuration register (RTC_TAFCR)

Address offset: 0x40

Backup domain reset value: 0x0000 0000

System reset: not affected

31	30	29	28	27	26	25	24	23	22	21	20	19	18	17	16
Reserved													ALARMOUT TYPE	TSIN SEL	TAMP1 INSEL
													rw	rw	rw
15	14	13	12	11	10	9	8	7	6	5	4	3	2	1	0
Reserved													TAMPIE	TAMP1 TRG	TAMP1 E
													rw	rw	rw

Bits 31:19 Reserved. Always read as 0.

Bit 18 **ALARMOUTTYPE**: AFO_ALARM output type

- 0: ALARM_AF0 is an open-drain output
- 1: ALARM_AF0 is a push-pull output

Bit 17 **TSINSEL**: TIMESTAMP mapping

- 0: RTC_AF1 used as TIMESTAMP
- 1: RTC_AF2 used as TIMESTAMP

Bit 16 **TAMP1INSEL**: TAMPER1 mapping

- 0: RTC_AF1 used as TAMPER
- 1: RTC_AF2 used as TAMPER

Note: TAMP1E must be reset when TAMP1INSEL is changed to avoid unwanted setting of TAMP1F.

Bit 15:3 Reserved. Always read as 0.

Bit 2 **TAMPIE**: Tamper interrupt enable

- 0: Tamper interrupt disabled
- 1: Tamper interrupt enabled

Bit 1 **TAMP1TRG**: Active level for tamper 1

- if **TAMPFLT = 000**: TAMPER1 rising edge triggers a tamper detection event.
- 1: TAMPER1 falling edge triggers a tamper detection event.

Bit 0 **TAMP1E**: Tamper 1 detection enable

- 0: Tamper 1 detection disabled
- 1: Tamper 1 detection enabled

22.6.14 RTC backup registers (RTC_BKPxR)

Address offset: 0x50 to 0x9C

Backup domain reset value: 0x0000 0000

System reset: not affected

31	30	29	28	27	26	25	24	23	22	21	20	19	18	17	16
BKP[31:16]															
rw	rw	rw	rw	rw	rw	rw	rw	rw	rw	rw	rw	rw	rw	rw	rw
15	14	13	12	11	10	9	8	7	6	5	4	3	2	1	0
BKP[15:0]															
rw	rw	rw	rw	rw	rw	rw	rw	rw	rw	rw	rw	rw	w	rw	rw

Bits 31:0 BKP[31:0]

The application can write or read data to and from these registers.

They are powered-on by V_{BAT} when V_{DD} is switched off, so that they are not reset by System reset, and their contents remain valid when the device operates in low-power mode.

This register is reset on a tamper detection event.

22.6.15 RTC register map

Table 80. RTC register map and reset values

Offset	Register	31	30	29	28	27	26	25	24	23	22	21	20	19	18	17	16	15	14	13	12	11	10	9	8	7	6	5	4	3	2	1	0						
0x00	RTC_TR	Reserved										PM	HT [1:0]		HU[3:0]			Reserved	MNT[2:0]			MNU[3:0]			Reserved	ST[2:0]		SU[3:0]											
	Reset value											0	0	0	0	0	0	0	0	0	0	0	0	0	0	0	0	0	0	0	0	0	0	0	0	0	0		
0x04	RTC_DR	Reserved										YT[3:0]			YU[3:0]			WDU[2:0]		MT	MU[3:0]			Reserved	DT [1:0]		DU[3:0]												
	Reset value																		0	0	1	0	0	0	0	1	Reserved	0	0	0	0	0	1						
0x08	RTC_CR	Reserved										COE	OSEL [1:0]		POL	Reserved	BKP	SUB1H	ADD1H	TSIE	WUTIE	ALRBIE	ALRAIE	TSE	WUTIE	ALRBE	ALRAE	DCE	FMT	Reserved	REFCKON		TSEDGE		WCKSEL [2:0]				
	Reset value											0	0	0	0		0	0	0	0	0	0	0	0	0	0	0	0	0	0	0	0	0	0	0	0			
0x0C	RTC_ISR	Reserved										Reserved										TAMP1F	TSOVF	TSF	WUTF	ALRBF	ALRAF	INIT	INITF	RSF	INIT	Reserved	WUTF	ALRBF	ALRAF				
	Reset value																					0	0	0	0	0	0	0	0	0	0	0	0	0	0	0	0	0	0
0x10	RTC_PRER	Reserved										PREDIV_A[6:0]						Reserved				PREDIV_S[12:0]																	
	Reset value											1	1	1	1	1	1	1	1					0	0	0	0	0	0	1	1	1	1	1	1	1	1	1	1
0x14	RTC_WUTR	Reserved										WUT[15:0]																											
	Reset value											1	1	1	1	1	1	1	1	1	1	1	1	1	1	1	1	1	1	1	1	1	1	1	1	1	1	1	1
0x18	RTC_CALIBR	Reserved															DCS		Reserved		DC[4:0]																		
	Reset value																0	0	Reserved	Reserved	0	0	0	0	0														



Table 80. RTC register map and reset values (continued)

Offset	Register	31	30	29	28	27	26	25	24	23	22	21	20	19	18	17	16	15	14	13	12	11	10	9	8	7	6	5	4	3	2	1	0									
0x1C	RTC_ALRMAR	MSK4	WDSEL	DT [1:0]	DU[3:0]			MSK3	PM	HT [1:0]	HU[3:0]			MSK2	MNT[2:0]		MNU[3:0]			MSK1	ST[2:0]		SU[3:0]																			
	Reset value	0	0	0	0	0	0	0	0	0	0	0	0	0	0	0	0	0	0	0	0	0	0	0	0	0	0	0	0	0	0	0	0									
0x20	RTC_ALRMBR	MSK4	WDSEL	DT [1:0]	DU[3:0]			MSK3	PM	HT [1:0]	HU[3:0]			MSK2	MNT[2:0]		MNU[3:0]			MSK2	ST[2:0]		SU[3:0]																			
	Reset value	0	0	0	0	0	0	0	0	0	0	0	0	0	0	0	0	0	0	0	0	0	0	0	0	0	0	0	0	0	0	0	0									
0x24	RTC_WPR	Reserved																								KEY[7:0]																
	Reset value	0																																								
0x30	RTC_TSTR	Reserved										PM	HT [1:0]	HU[3:0]			Reserved	MNT[2:0]		MNU[3:0]			Reserved	ST[2:0]		SU[3:0]																
	Reset value	0										0	0	0	0	0	0	0	0	0	0	0	0	0	0	0	0	0	0	0	0	0	0	0	0	0	0	0				
0x34	RTC_TSDR	Reserved												WDU[2:0]		MT	MU[3:0]			Reserved	DT [1:0]	DU[3:0]																				
	Reset value	0												0	0	0	0	0	0	0	0	0	0	0	0	0	0	0	0	0	0	0	0	0	0	0	0	0	0	0	0	0
0x40	RTC_TAFCR	Reserved										ALARMOUTTYPE	TSINSEL	TAMP1INSEL	Reserved													TAMPE	TAMP1TRG	TAMPE												
	Reset value	0										0	0	0	0													0	0	0												
0x50 to 0x9C	RTC_BKP0R	BKP[31:0]																																								
	Reset value	0	0	0	0	0	0	0	0	0	0	0	0	0	0	0	0	0	0	0	0	0	0	0	0	0	0	0	0	0	0	0	0	0								
	to RTC_BKP19R	BKP[31:0]																																								
	Reset value	0	0	0	0	0	0	0	0	0	0	0	0	0	0	0	0	0	0	0	0	0	0	0	0	0	0	0	0	0	0	0	0	0								

Refer to [Section 2.3: Memory map](#) for the register boundary addresses.

Caution: In [Table 80](#), the reset value is the value after a backup domain reset. The majority of the registers are not affected by a system reset. For more information, refer to [Section 22.3.7: Resetting the RTC](#).



23 Inter-integrated circuit (I2C) interface

This section applies to the whole STM32F20x and STM32F21x family, unless otherwise specified.

23.1 I²C introduction

I²C (inter-integrated circuit) bus interface serves as an interface between the microcontroller and the serial I²C bus. It provides multicontroller capability, and controls all I²C bus-specific sequencing, protocol, arbitration, and timing. It supports the standard mode (Sm, up to 100 kHz) and Fm mode (Fm, up to 400 kHz).

It can be used for a variety of purposes, including CRC generation and verification, SMBus (system management bus) and PMBus® (power management bus).

Depending on specific device implementation, DMA capability can be available for reduced CPU overload.

23.2 I²C main features

- Parallel-bus/I²C protocol converter
- Multicontroller capability: the same interface can act as controller or target
- I²C controller features:
 - Clock generation
 - Start and stop generation
- I²C target features:
 - Programmable I²C address detection
 - Dual addressing capability to acknowledge two target addresses
 - Stop bit detection
- Generation and detection of 7-bit/10-bit addressing and General Call
- Supports different communication speeds:
 - Standard (up to 100 kHz)
 - Fast (up to 400 kHz)
- Analog noise filter
- Status flags:
 - Transmitter/Receiver mode flag
 - End-of-Byte transmission flag
 - I²C busy flag
- Error flags:
 - Arbitration lost condition for controller mode
 - Acknowledgment failure after address/ data transmission
 - Detection of misplaced start or stop condition
 - Overrun/underrun if clock stretching is disabled
- Two interrupt vectors:

- One interrupt for successful address/ data communication
- One interrupt for error condition
- Optional clock stretching
- 1-byte buffer with DMA capability
- Configurable PEC (packet error checking) generation or verification:
 - PEC value can be transmitted as last byte in Tx mode
 - PEC error checking for last received byte
- SMBus 2.0 compatibility:
 - 25 ms clock low timeout delay
 - 10 ms controller cumulative clock low extend time
 - 25 ms target cumulative clock low extend time
 - Hardware PEC generation/verification with ACK control
 - Address Resolution Protocol (ARP) supported
- PMBus compatibility

Note: Some of the above features may be not available in some products. Refer to the product datasheet to identify the specific features supported by the I²C interface implementation.

23.3 I²C functional description

In addition to receiving and transmitting data, this interface converts them from serial to parallel format and vice versa. The interrupts are enabled or disabled by software. The interface is connected to the I²C bus by a data pin (SDA) and by a clock pin (SCL). It can be connected with a standard (up to 100 kHz) or fast (up to 400 kHz) I²C bus.

23.3.1 Mode selection

The interface can operate in one of the four following modes:

- Target transmitter
- Target receiver
- Controller transmitter
- Controller receiver

By default, it operates in target mode. The interface automatically switches from target to controller, after it generates a START condition and from controller to target, if an arbitration loss or a Stop generation occurs, allowing multicontroller capability.

Communication flow

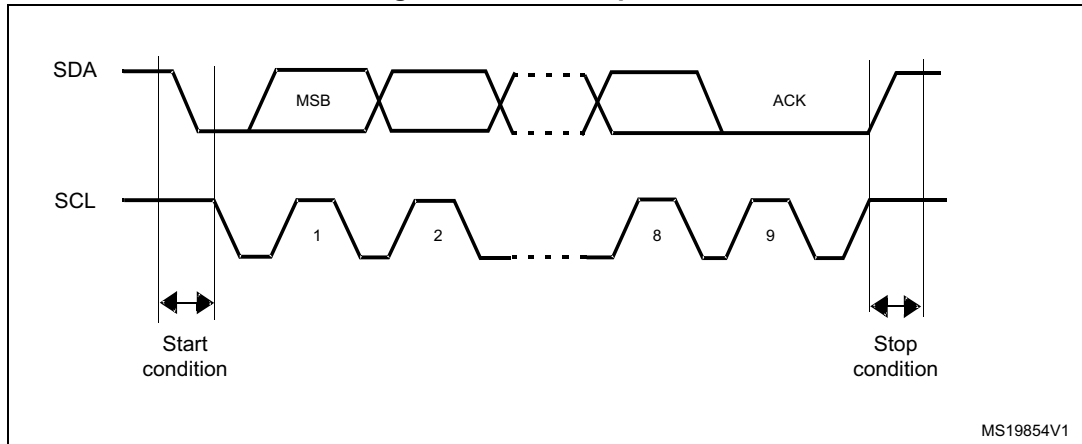
In controller mode, the I²C interface initiates a data transfer and generates the clock signal. A serial data transfer always begins with a start condition and ends with a stop condition. Both start and stop conditions are generated in controller mode by software.

In target mode, the interface is capable of recognizing its own addresses (7 or 10-bit), and the General Call address. The General Call address detection can be enabled or disabled by software.

Data and addresses are transferred as 8-bit bytes, MSB first. The first byte(s) following the start condition contain the address (one in 7-bit mode, two in 10-bit mode). The address is always transmitted in controller mode.

A ninth clock pulse follows the 8 clock cycles of a byte transfer, during which the receiver must send an acknowledge bit to the transmitter. Refer to [Figure 216](#).

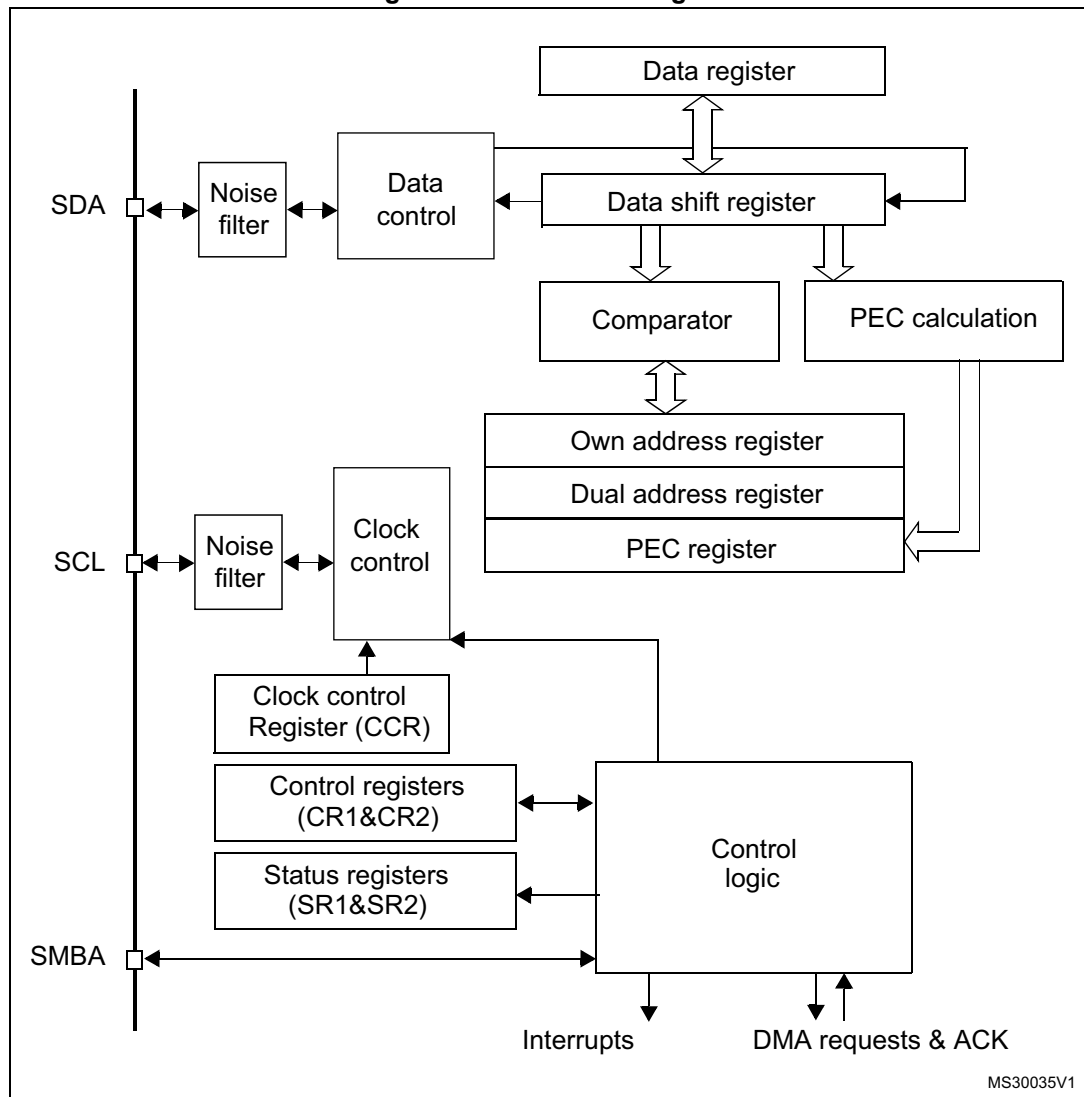
Figure 216. I²C bus protocol



Acknowledge can be enabled or disabled by software. The I²C interface addresses (dual addressing 7-bit/ 10-bit and/or general call address) can be selected by software.

The block diagram of the I²C interface is shown in [Figure 217](#).

Figure 217. I²C block diagram



1. SMBA is an optional signal in SMBus mode. This signal is not applicable if SMBus is disabled.

23.3.2 I²C target mode

By default the I²C interface operates in target mode. To switch from default target mode to controller mode a Start condition generation is needed.

The peripheral input clock must be programmed in the I2C_CR2 register to generate correct timings. The peripheral input clock frequency must be at least:

- 2 MHz in Sm mode
- 4 MHz in Fm mode

As soon as a start condition is detected, the address is received from the SDA line and sent to the shift register. Then it is compared with the address of the interface (OAR1) and with OAR2 (if ENDUAL=1) or the General Call address (if ENGC = 1).

Note: In 10-bit addressing mode, the comparison includes the header sequence (11110xx0), where xx denotes the two most significant bits of the address.

Header or address not matched: the interface ignores it and waits for another Start condition.

Header matched (10-bit mode only): the interface generates an acknowledge pulse if the ACK bit is set and waits for the 8-bit target address.

Address matched: the interface generates in sequence:

- An acknowledge pulse if the ACK bit is set
- The ADDR bit is set by hardware and an interrupt is generated if the ITEVFEN bit is set.
- If ENDUAL=1, the software has to read the DUALF bit to check which target address has been acknowledged.

In 10-bit mode, after receiving the address sequence the target is always in Receiver mode. It enters Transmitter mode on receiving a repeated Start condition followed by the header sequence with matching address bits and the least significant bit set (11110xx1).

The TRA bit indicates whether the target is in Receiver or Transmitter mode.

Target transmitter

Following the address reception and after clearing ADDR, the target sends bytes from the DR register to the SDA line via the internal shift register.

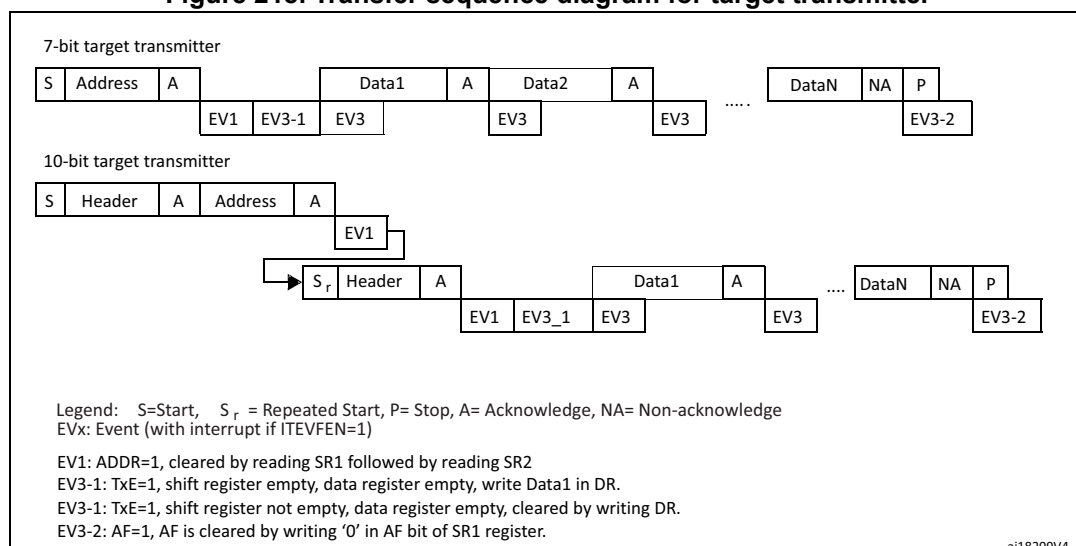
The target stretches SCL low until ADDR is cleared and DR filled with the data to send (see [Figure 218](#) Transfer sequencing EV1 EV3).

When the acknowledge pulse is received:

- The TxE bit is set by hardware with an interrupt if the ITEVFEN and the ITBUFEN bits are set.

If TxE is set and some data were not written in the I2C_DR register before the end of the next data transmission, the BTF bit is set and the interface waits until BTF is cleared by a read to I2C_SR1 followed by a write to the I2C_DR register, stretching SCL low.

Figure 218. Transfer sequence diagram for target transmitter



1. The EV1 and EV3_1 events stretch SCL low until the end of the corresponding software sequence.
2. The EV3 event stretches SCL low if the software sequence is not completed before the end of the next byte

transmission.

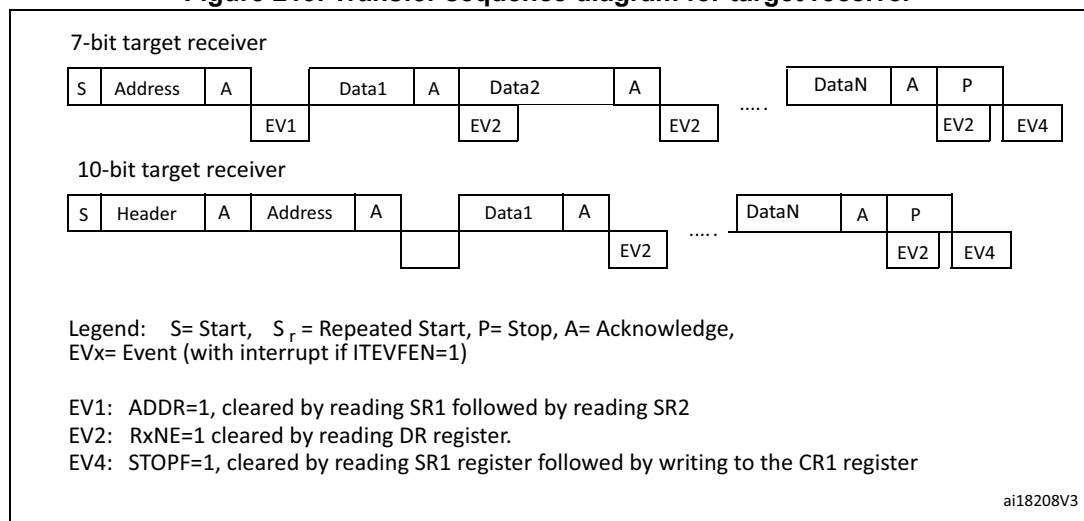
Target receiver

Following the address reception and after clearing ADDR, the target receives bytes from the SDA line into the DR register via the internal shift register. After each byte the interface generates in sequence:

- An acknowledge pulse if the ACK bit is set
- The RxNE bit is set by hardware and an interrupt is generated if the ITEVFEN and ITBUFEN bit is set.

If RxNE is set and the data in the DR register are not read before the end of the next data reception, the BTF bit is set and the interface waits until BTF is cleared by a read from the I2C_DR register, stretching SCL low (see [Figure 219](#) Transfer sequencing).

Figure 219. Transfer sequence diagram for target receiver



1. The EV1 event stretches SCL low until the end of the corresponding software sequence.
2. The EV2 event stretches SCL low if the software sequence is not completed before the end of the next byte reception.
3. After checking the SR1 register content, the user should perform the complete clearing sequence for each flag found set.
 Thus, for ADDR and STOPF flags, the following sequence is required inside the I2C interrupt routine:
 READ SR1
 if (ADDR = 1) {READ SR1; READ SR2}
 if (STOPF = 1) {READ SR1; WRITE CR1}
 The purpose is to make sure that both ADDR and STOPF flags are cleared if both are found set.

Closing target communication

After the last data byte is transferred a Stop Condition is generated by the controller. The interface detects this condition and sets:

- The STOPF bit and generates an interrupt if the ITEVFEN bit is set.

The STOPF bit is cleared by a read of the SR1 register followed by a write to the CR1 register (see EV4 in [Figure 219](#)).

23.3.3 I²C controller mode

In controller mode, the I²C interface initiates a data transfer and generates the clock signal. A serial data transfer always begins with a Start condition and ends with a Stop condition.

Controller mode is selected as soon as the Start condition is generated on the bus with a START bit.

The following is the required sequence in controller mode.

- Program the peripheral input clock in I2C_CR2 register in order to generate correct timings
- Configure the clock control registers
- Configure the rise time register
- Program the I2C_CR1 register to enable the peripheral
- Set the START bit in the I2C_CR1 register to generate a Start condition

The peripheral input clock frequency must be at least:

- 2 MHz in Sm mode
- 4 MHz in Fm mode

SCL controller clock generation

The CCR bits are used to generate the high and low level of the SCL clock, starting from the generation of the rising and falling edge (respectively). As a target may stretch the SCL line, the peripheral checks the SCL input from the bus at the end of the time programmed in TRISE bits after rising edge generation.

- If the SCL line is low, it means that a target is stretching the bus, and the high level counter stops until the SCL line is detected high. This guarantees the minimum HIGH period of the SCL clock parameter.
- If the SCL line is high, the high level counter keeps on counting.

Indeed, the feedback loop from the SCL rising edge generation by the peripheral to the SCL rising edge detection by the peripheral takes time even if no target stretches the clock. This loopback duration is linked to the SCL rising time (impacting SCL VIH input detection), plus delay due to the noise filter present on the SCL input path, plus delay due to internal SCL input synchronization with APB clock. The maximum time used by the feedback loop is programmed in the TRISE bits, so that the SCL frequency remains stable whatever the SCL rising time.

Start condition

Setting the START bit causes the interface to generate a Start condition and to switch to controller mode (MSL bit set) when the BUSY bit is cleared.

Note: In controller mode, setting the START bit causes the interface to generate a ReStart condition at the end of the current byte transfer.

Once the Start condition is sent, the SB bit is set by hardware and an interrupt is generated if the ITEVFEN bit is set. Then the controller waits for a read of the SR1 register followed by a write in the DR register with the target address (see [Figure 220](#) and [Figure 221](#) Transfer sequencing EV5).

Target address transmission

Then the target address is sent to the SDA line via the internal shift register.

- In 10-bit addressing mode, sending the header sequence causes the following event:
 - The ADD10 bit is set by hardware and an interrupt is generated if the ITEVFEN bit is set.

Then the controller waits for a read of the SR1 register followed by a write in the DR register with the second address byte (see [Figure 220](#) and [Figure 221](#) Transfer sequencing).

- The ADDR bit is set by hardware and an interrupt is generated if the ITEVFEN bit is set.

Then the controller waits for a read of the SR1 register followed by a read of the SR2 register (see [Figure 220](#) and [Figure 221](#) Transfer sequencing).

- In 7-bit addressing mode, one address byte is sent.
As soon as the address byte is sent, the ADDR bit is set by hardware and an interrupt is generated if the ITEVFEN bit is set. Then the controller waits for a read of the SR1 register followed by a read of the SR2 register (see [Figure 220](#) and [Figure 221](#) Transfer sequencing).

The controller can decide to enter Transmitter or Receiver mode depending on the LSB of the target address sent.

- In 7-bit addressing mode
 - To enter Transmitter mode, a controller sends the target address with LSB reset.
 - To enter Receiver mode, a controller sends the target address with LSB set.
- In 10-bit addressing mode
 - To enter Transmitter mode, a controller sends the header (11110xx0) and then the target address, where xx denotes the two most significant bits of the address.
 - To enter Receiver mode, a controller sends the header (11110xx0) and then the target address. Then it should send a repeated Start condition followed by the header (11110xx1), where xx denotes the two most significant bits of the address.

The TRA bit indicates whether the controller is in Receiver or Transmitter mode.

Controller transmitter

Following the address transmission and after clearing ADDR, the controller sends bytes from the DR register to the SDA line via the internal shift register.

The controller waits until the first data byte is written into I2C_DR (see [Figure 220](#) Transfer sequencing EV8_1).

When the acknowledge pulse is received, the TxE bit is set by hardware and an interrupt is generated if the ITEVFEN and ITBUFEN bits are set.

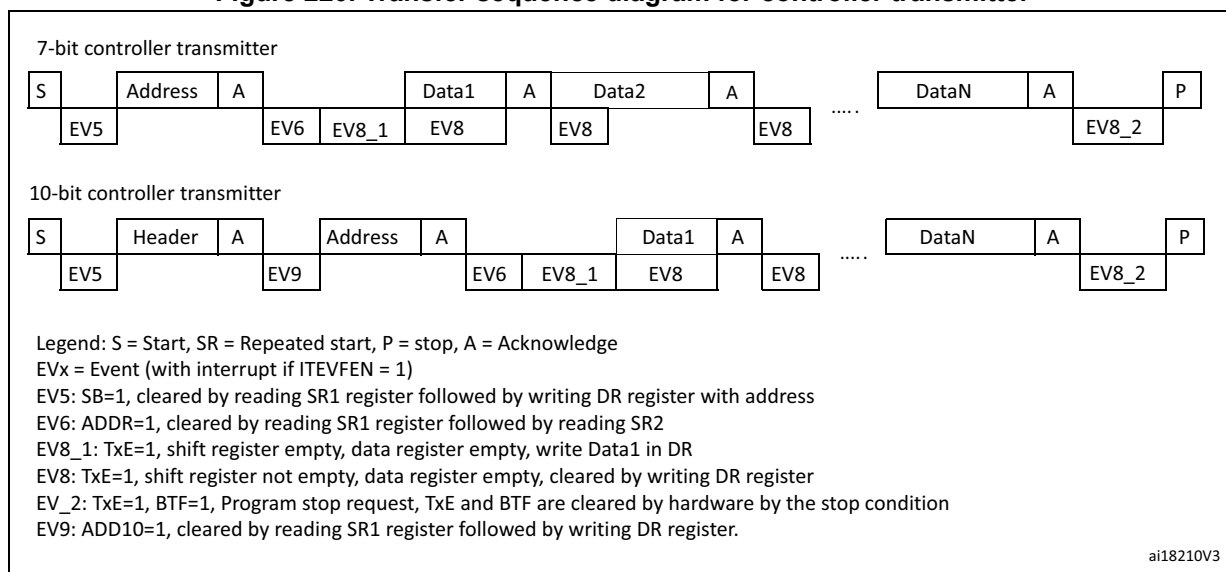
If TxE is set and a data byte was not written in the DR register before the end of the last data transmission, BTF is set and the interface waits until BTF is cleared by a write to I2C_DR, stretching SCL low.

Closing the communication

After the last byte is written to the DR register, the STOP bit is set by software to generate a stop condition (see [Figure 220](#) Transfer sequencing EV8_2). The interface automatically goes back to target mode (MSL bit cleared).

Note: Stop condition should be programmed during EV8_2 event, when either TxE or BTF is set.

Figure 220. Transfer sequence diagram for controller transmitter



1. The EV5, EV6, EV9, EV8_1 and EV8_2 events stretch SCL low until the end of the corresponding software sequence.
2. The EV8 event stretches SCL low if the software sequence is not complete before the end of the next byte transmission.

Controller receiver

Following the address transmission and after clearing ADDR, the I²C interface enters controller receiver mode. In this mode the interface receives bytes from the SDA line into the DR register via the internal shift register. After each byte the interface generates in sequence:

1. An acknowledge pulse if the ACK bit is set
2. The RxNE bit is set and an interrupt is generated if the ITEVFEN and ITBUFEN bits are set (see [Figure 221](#) Transfer sequencing EV7).

If the RxNE bit is set and the data in the DR register is not read before the end of the last data reception, the BTF bit is set by hardware and the interface waits until BTF is cleared by a read in the DR register, stretching SCL low.

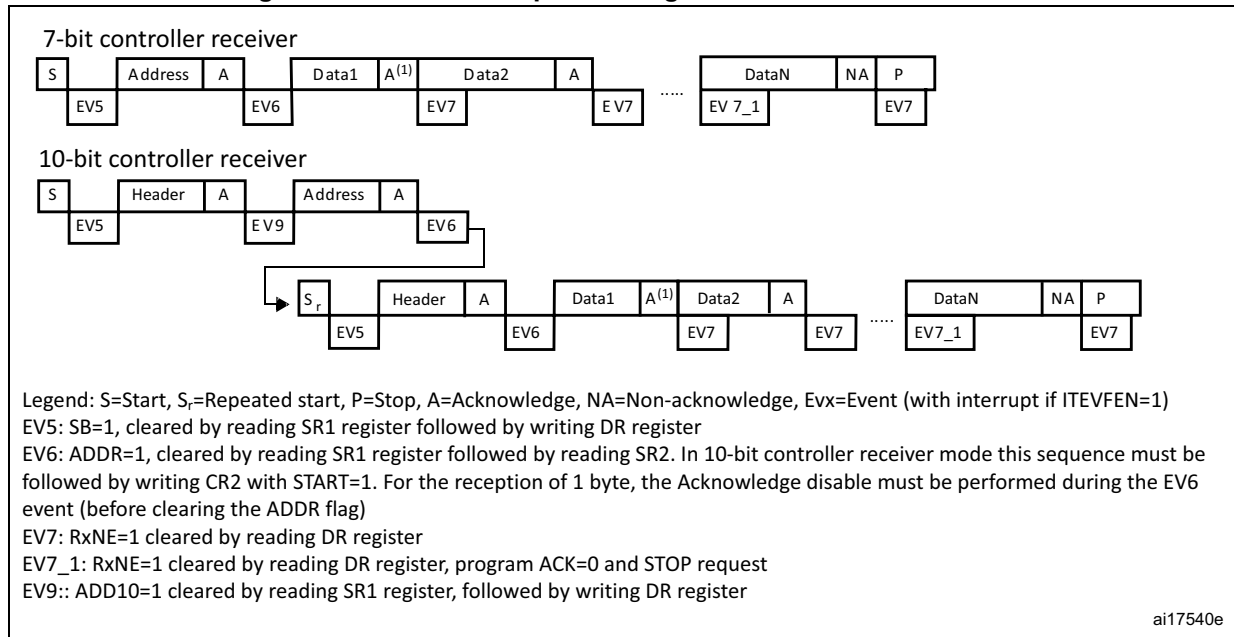
Closing the communication

The controller sends a NACK for the last byte received from the target. After receiving this NACK, the target releases the control of the SCL and SDA lines. Then the controller can send a Stop/Restart condition.

1. To generate the nonacknowledge pulse after the last received data byte, the ACK bit must be cleared just after reading the second last data byte (after second last RxNE event).
2. In order to generate the Stop/Restart condition, software must set the STOP/START bit after reading the second last data byte (after the second last RxNE event).
3. In case a single byte has to be received, the Acknowledge disable is made during EV6 (before ADDR flag is cleared) and the STOP condition generation is made after EV6.

After the Stop condition generation, the interface goes automatically back to target mode (MSL bit cleared).

Figure 221. Transfer sequence diagram for controller receiver



1. If a single byte is received, it is NA.
2. The EV5, EV6 and EV9 events stretch SCL low until the end of the corresponding software sequence.
3. The EV7 event stretches SCL low if the software sequence is not completed before the end of the next byte reception.
4. The EV7_1 software sequence must be completed before the ACK pulse of the current byte transfer.

The procedures described below are recommended if the EV7-1 software sequence is not completed before the ACK pulse of the current byte transfer.

These procedures must be followed to make sure that the ACK bit is set low on time before the end of the last data reception, and the STOP bit is set high after the last data reception without reception of supplementary data.

For 2-byte reception:

- Wait until ADDR = 1 (SCL stretched low until the ADDR flag is cleared)
- Set ACK low, set POS high
- Clear ADDR flag
- Wait until BTF = 1 (Data 1 in DR, Data2 in shift register, SCL stretched low until a data 1 is read)
- Set STOP high
- Read data 1 and 2

For N > 2 -byte reception, from N-2 data reception

- Wait until BTF = 1 (data N-2 in DR, data N-1 in shift register, SCL stretched low until data N-2 is read)
- Set ACK low
- Read data N-2
- Wait until BTF = 1 (data N-1 in DR, data N in shift register, SCL stretched low until a data N-1 is read)
- Set STOP high
- Read data N-1 and N

23.3.4 Error conditions

The following are the error conditions which may cause communication to fail.

Bus error (BERR)

This error occurs when the I²C interface detects an external Stop or Start condition during an address or a data transfer. In this case:

- the BERR bit is set and an interrupt is generated if the ITERREN bit is set
- in target mode: data are discarded and the lines are released by hardware:
 - in case of a misplaced Start, the target considers it is a restart and waits for an address, or a Stop condition
 - in case of a misplaced Stop, the target behaves like for a Stop condition and the lines are released by hardware
- In controller mode: the lines are not released and the state of the current transmission is not affected. It is up to the software to abort or not the current transmission

Acknowledge failure (AF)

This error occurs when the interface detects a nonacknowledge bit. In this case:

- the AF bit is set and an interrupt is generated if the ITERREN bit is set
- a transmitter which receives a NACK must reset the communication:
 - If target: lines are released by hardware
 - If controller: a Stop or repeated Start condition must be generated by software

Arbitration lost (ARLO)

This error occurs when the I²C interface detects an arbitration lost condition. In this case

- the ARLO bit is set by hardware and an interrupt is generated if the ITERREN bit is set
- the I²C Interface goes automatically back to target mode (the MSL bit is cleared). When the I²C loses the arbitration, it is not able to acknowledge its target address in the same transfer, but it can acknowledge it after a repeated Start from the winning controller.
- lines are released by hardware

Overrun/underrun error (OVR)

An overrun error can occur in target mode when clock stretching is disabled and the I²C interface is receiving data. The interface has received a byte (RxNE=1) and the data in DR has not been read, before the next byte is received by the interface. In this case,

- The last received byte is lost.
- In case of overrun error, software should clear the RxNE bit and the transmitter should re-transmit the last received byte.

Underrun error can occur in target mode when clock stretching is disabled and the I²C interface is transmitting data. The interface has not updated the DR with the next byte (TxE = 1), before the clock comes for the next byte. In this case,

- The same byte in the DR register is sent again.
- The user should make sure that data received on the receiver side during an underrun error are discarded and that the next bytes are written within the clock low time specified in the I²C bus standard.

For the first byte to be transmitted, the DR must be written after ADDR is cleared and before the first SCL rising edge. If not possible, the receiver must discard the first data.

23.3.5 SDA/SCL line control

- If clock stretching is enabled:
 - Transmitter mode: If TxE=1 and BTF=1: the interface holds the clock line low before transmission to wait for the microcontroller to write the byte in the Data register (both buffer and shift register are empty).
 - Receiver mode: If RxNE=1 and BTF=1: the interface holds the clock line low after reception to wait for the microcontroller to read the byte in the Data register (both buffer and shift register are full).
- If clock stretching is disabled in target mode:
 - Overrun error in case of RxNE=1 and no read of DR has been done before the next byte is received. The last received byte is lost.
 - Underrun error in case TxE=1 and no write into DR has been done before the next byte must be transmitted. The same byte is sent again.
 - Write collision not managed.

23.3.6 SMBus

Introduction

The System Management Bus (SMBus) is a two-wire interface through which various devices can communicate with each other and with the rest of the system. It is based on I²C principles of operation. SMBus provides a control bus for system and power management related tasks. A system may use SMBus to pass messages to and from devices instead of toggling individual control lines.

The SMBus specification refers to three types of devices. A *target* is a device that is receiving or responding to a command. A *controller* is a device that issues commands, generates the clocks, and terminates the transfer. A *host* is a specialized controller that provides the main interface to the system's CPU. A host must be a controller-target and must support the SMBus host notify protocol. Only one host is allowed in a system.

Similarities between SMBus and I²C

- 2-wire bus protocol (1 clk, 1 data) + SMBus Alert line optional
- Controller-target communication, controller provides clock
- Multi controller capability
- SMBus data format similar to I²C 7-bit addressing format (*Figure 216*).

Differences between SMBus and I²C

The following table describes the differences between SMBus and I²C.

Table 81. SMBus vs. I²C

SMBus	I ² C
Max. speed 100 kHz	Max. speed 400 kHz
Min. clock speed 10 kHz	No minimum clock speed
35 ms clock low timeout	No timeout
Logic levels are fixed	Logic levels are V _{DD} dependent
Different address types (reserved, dynamic, ...)	7-bit, 10-bit and general call target address types
Different bus protocols (quick command, process call, ...)	No bus protocols

SMBus application usage

With System Management Bus, a device can provide manufacturer information, tell the system what its model/part number is, save its state for a suspend event, report different types of errors, accept control parameters, and return its status. SMBus provides a control bus for system and power management related tasks.

Device identification

Any device that exists on the System Management Bus as a target has a unique address called the target address. For the list of reserved target addresses, refer to the SMBus specification version. 2.0 (<http://smbus.org/>).

Bus protocols

The SMBus specification supports up to 9 bus protocols. For more details of these protocols and SMBus address types, refer to SMBus specification version. 2.0. These protocols should be implemented by the user software.

Address resolution protocol (ARP)

SMBus target address conflicts can be resolved by dynamically assigning a new unique address to each target device. The Address Resolution Protocol (ARP) has the following attributes:

- Address assignment uses the standard SMBus physical layer arbitration mechanism
- Assigned addresses remain constant while device power is applied; address retention through device power loss is also allowed
- No additional SMBus packet overhead is incurred after address assignment. (i.e. subsequent accesses to assigned target addresses have the same overhead as accesses to fixed address devices.)
- Any SMBus controller can enumerate the bus

Unique device identifier (UDID)

In order to provide a mechanism to isolate each device for the purpose of address assignment, each device must implement a unique device identifier (UDID).

For the details on 128-bit UDID and more information on ARP, refer to SMBus specification version 2.0.

SMBus alert mode

SMBus Alert is an optional signal with an interrupt line for devices that want to trade their ability to controller for a pin. SMBA is a wired-AND signal just as the SCL and SDA signals are. SMBA is used in conjunction with the SMBus General Call Address. Messages invoked with the SMBus are two bytes long.

A target-only device can signal the host through SMBA that it wants to talk by setting ALERT bit in I2C_CR1 register. The host processes the interrupt and simultaneously accesses all SMBA devices through the *Alert Response Address* (known as ARA having a value 0001 100X). Only the device(s) which pulled SMBA low acknowledges the alert Response Address. This status is identified using SMBALERT Status flag in I2C_SR1 register. The host performs a modified Receive Byte operation. The 7 bit device address provided by the target transmit device is placed in the seven most significant bits of the byte. The eighth bit can be a zero or one.

If more than one device pulls SMBA low, the highest priority (lowest address) device wins communication rights via standard arbitration during the target address transfer. After acknowledging the target address the device must disengage its SMBA pull-down. If the host still sees SMBA low when the message transfer is complete, it knows to read the ARA again.

A host that does not implement the SMBA signal may periodically access the ARA.

For more details on SMBus Alert mode, refer to SMBus specification version 2.0 (<https://smbus.org/>).

Timeout error

There are differences in the timing specifications between I²C and SMBus. SMBus defines a clock low timeout, TIMEOUT of 35 ms. Also SMBus specifies TLOW: SEXT as the cumulative clock low extend time for a target device. SMBus specifies TLOW: MEXT as the cumulative clock low extend time for a controller device. For more details on these timeouts, refer to SMBus specification version 2.0.

The status flag Timeout or Tlow Error in I2C_SR1 shows the status of this feature.

How to use the interface in SMBus mode

To switch from I²C mode to SMBus mode, the following sequence should be performed.

- Set the SMBus bit in the I2C_CR1 register
- Configure the SMBTYPE and ENARP bits in the I2C_CR1 register as required for the application

To configure the device as a controller, follow the Start condition generation procedure in [Section 23.3.3](#). Otherwise, follow the sequence in [Section 23.3.2](#).

The application must control the various SMBus protocols by software.

- SMB Device Default Address acknowledged if ENARP=1 and SMBTYPE=0
- SMB Host Header acknowledged if ENARP=1 and SMBTYPE=1
- SMB Alert Response Address acknowledged if SMBALERT=1

23.3.7 DMA requests

DMA requests (when enabled) are generated only for data transfer. DMA requests are generated by Data register becoming empty in transmission and Data register becoming full in reception. The DMA must be initialized and enabled before the I2C data transfer. The DMAEN bit must be set in the I2C_CR2 register before the ADDR event. In controller mode or in target mode when clock stretching is enabled, the DMAEN bit can also be set during the ADDR event, before clearing the ADDR flag. The DMA request must be served before the end of the current byte transfer. When the number of data transfers which has been programmed for the corresponding DMA stream is reached, the DMA controller sends an End of Transfer EOT signal to the I²C interface and generates a Transfer Complete interrupt if enabled:

- Controller transmitter: In the interrupt routine after the EOT interrupt, disable DMA requests then wait for a BTF event before programming the Stop condition.
- Controller receiver
 - When the number of bytes to be received is equal to or greater than two, the DMA controller sends a hardware signal, EOT_1, corresponding to the last but one data byte (number_of_bytes – 1). If, in the I2C_CR2 register, the LAST bit is set, I²C automatically sends a NACK after the next byte following EOT_1. The user can generate a Stop condition in the DMA Transfer Complete interrupt routine if enabled.
 - When a single byte must be received: the NACK must be programmed during EV6 event, i.e. program ACK=0 when ADDR=1, before clearing ADDR flag. Then the user can program the STOP condition either after clearing ADDR flag, or in the DMA Transfer Complete interrupt routine.

Transmission using DMA

DMA mode can be enabled for transmission by setting the DMAEN bit in the I2C_CR2 register. Data are loaded from a Memory area configured using the DMA peripheral (refer to the DMA specification) to the I2C_DR register whenever the TxE bit is set. To map a DMA stream x for I²C transmission (where x is the stream number), perform the following sequence:

1. Set the I2C_DR register address in the DMA_SxPAR register. The data are moved to this address from the memory after each TxE event.
2. Set the memory address in the DMA_SxMA0R register (and in DMA_SxMA1R register in the case of a double buffer mode). The data are loaded into I2C_DR from this memory after each TxE event.
3. Configure the total number of bytes to be transferred in the DMA_SxNDTR register. After each TxE event, this value is decremented.
4. Configure the DMA stream priority using the PL[0:1] bits in the DMA_SxCR register
5. Set the DIR bit in the DMA_SxCR register and configure interrupts after half transfer or full transfer depending on application requirements.
6. Activate the stream by setting the EN bit in the DMA_SxCR register.

When the number of data transfers which has been programmed in the DMA controller registers is reached, the DMA controller sends an End of Transfer EOT/ EOT_1 signal to the I²C interface and the DMA generates an interrupt, if enabled, on the DMA stream interrupt vector.

Note: Do not enable the ITBUFEN bit in the I2C_CR2 register if DMA is used for transmission.

Reception using DMA

DMA mode can be enabled for reception by setting the DMAEN bit in the I2C_CR2 register. Data are loaded from the I2C_DR register to a Memory area configured using the DMA peripheral (refer to the DMA specification) whenever a data byte is received. To map a DMA stream x for I²C reception (where x is the stream number), perform the following sequence:

1. Set the I2C_DR register address in DMA_SxPAR register. The data are moved from this address to the memory after each RxNE event.
2. Set the memory address in the DMA_SxMA0R register (and in DMA_SxMA1R register in the case of a double buffer mode). The data are loaded from the I2C_DR register to this memory area after each RxNE event.
3. Configure the total number of bytes to be transferred in the DMA_SxNDTR register. After each RxNE event, this value is decremented.
4. Configure the stream priority using the PL[0:1] bits in the DMA_SxCR register
5. Reset the DIR bit and configure interrupts in the DMA_SxCR register after half transfer or full transfer depending on application requirements.
6. Activate the stream by setting the EN bit in the DMA_SxCR register.

When the number of data transfers programmed in the DMA controller registers is reached, the DMA controller sends an End of Transfer EOT/ EOT_1 signal to the I²C interface and DMA generates an interrupt, if enabled, on the DMA stream interrupt vector.

Note: Do not enable the ITBUFEN bit in the I2C_CR2 register if DMA is used for reception.

23.3.8 Packet error checking

A PEC calculator has been implemented to improve the reliability of communication. The PEC is calculated by using the $C(x) = x^8 + x^2 + x + 1$ CRC-8 polynomial serially on each bit.

- PEC calculation is enabled by setting the ENPEC bit in the I2C_CR1 register. PEC is a CRC-8 calculated on all message bytes including addresses and R/W bits.
 - In transmission: set the PEC transfer bit in the I2C_CR1 register after the TxE event corresponding to the last byte. The PEC is transferred after the last transmitted byte.
 - In reception: set the PEC bit in the I2C_CR1 register after the RxNE event corresponding to the last byte so that the receiver sends a NACK if the next received byte is not equal to the internally calculated PEC. In case of controller-Receiver, a NACK must follow the PEC whatever the check result. The PEC must be set before the ACK of the CRC reception in target mode. It must be set when the ACK is set low in controller mode.
- A PECERR error flag/interrupt is also available in the I2C_SR1 register.
- If DMA and PEC calculation are both enabled:
 - In transmission: when the I²C interface receives an EOT signal from the DMA controller, it automatically sends a PEC after the last byte.
 - In reception: when the I²C interface receives an EOT_1 signal from the DMA controller, it automatically considers the next byte as a PEC and checks it. A DMA request is generated after PEC reception.
- To allow intermediate PEC transfers, a control bit (LAST) is available in the I2C_CR2 register to determine if it is really the last DMA transfer or not. If it is the last DMA request for a controller receiver, a NACK is automatically sent after the last received byte.
- PEC calculation is corrupted by an arbitration loss.

23.4 I²C interrupts

The table below gives the list of I²C interrupt requests.

Table 82. I²C Interrupt requests

Interrupt event	Event flag	Enable control bit
Start bit sent (controller)	SB	ITEVFEN
Address sent (controller) or Address matched (target)	ADDR	
10-bit header sent (controller)	ADD10	
Stop received (target)	STOPF	
Data byte transfer finished	BTF	
Receive buffer not empty	RxNE	ITEVFEN and ITBUFEN
Transmit buffer empty	TxE	

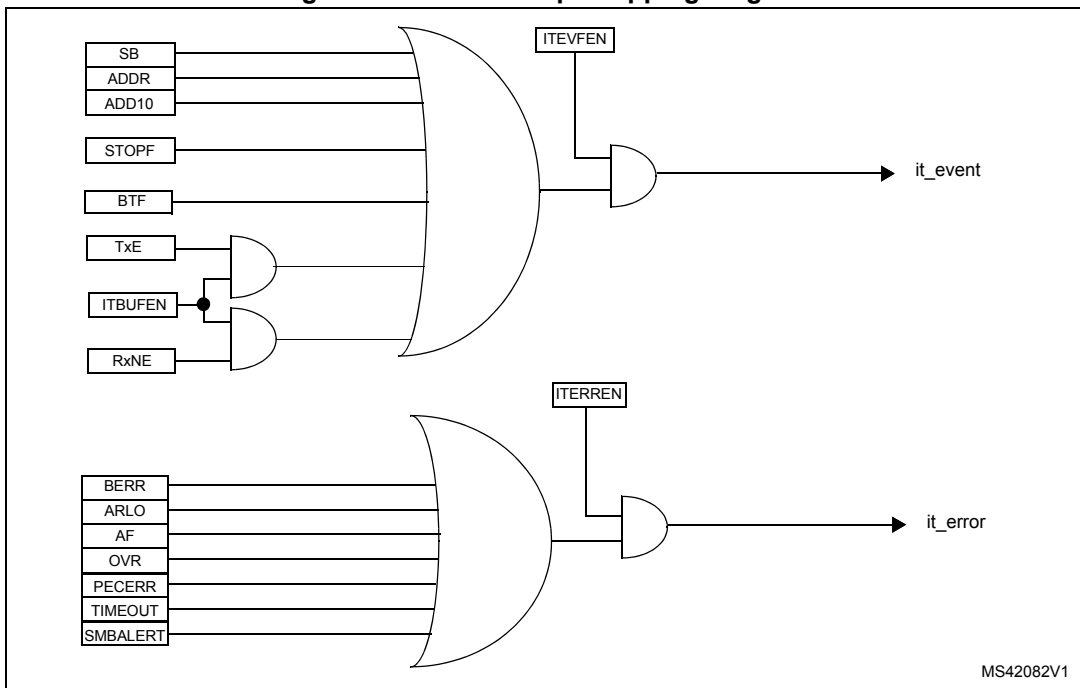
Table 82. I²C Interrupt requests (continued)

Interrupt event	Event flag	Enable control bit
Bus error	BERR	ITERREN
Arbitration loss (controller)	ARLO	
Acknowledge failure	AF	
Overrun/Underrun	OVR	
PEC error	PECERR	
Timeout/Tlow error	TIMEOUT	
SMBus Alert	SMBALERT	

Note: SB, ADDR, ADD10, STOPF, BTF, RxNE and TxE are logically OR-ed on the same interrupt channel.

BERR, ARLO, AF, OVR, PECERR, TIMEOUT and SMBALERT are logically OR-ed on the same interrupt channel.

Figure 222. I²C interrupt mapping diagram



MS42082V1

23.5 I²C debug mode

When the microcontroller enters the debug mode (Cortex[®]-M3 core halted), the SMBUS timeout either continues to work normally or stops, depending on the DBG_I2Cx_SMBUS_TIMEOUT configuration bits in the DBG module. For more details, refer to [Section 32.16.2: Debug support for timers, watchdog, bxCAN and I²C](#).

23.6 I²C registers

Refer to [Section 2.2 on page 45](#) for a list of abbreviations used in register descriptions. The peripheral registers have to be accessed by half-words (16 bits) or words (32 bits).

23.6.1 I²C Control register 1 (I2C_CR1)

Address offset: 0x00
Reset value: 0x0000

15	14	13	12	11	10	9	8	7	6	5	4	3	2	1	0
SWRST	Res.	ALERT	PEC	POS	ACK	STOP	START	NO STRETCH	ENGC	ENPEC	ENARP	SMB TYPE	Res.	SMBUS	PE
rw		rw	rw	rw	rw	rw	rw	rw	rw	rw	rw	rw		rw	rw

Bit 15 **SWRST**: Software reset

When set, the I2C is under reset state. Before resetting this bit, make sure the I2C lines are released and the bus is free.

- 0: I²C Peripheral not under reset
- 1: I²C Peripheral under reset state

Note: This bit can be used to reinitialize the peripheral after an error or a locked state. As an example, if the BUSY bit is set and remains locked due to a glitch on the bus, the SWRST bit can be used to exit from this state.

Bit 14 Reserved, must be kept at reset value

Bit 13 **ALERT**: SMBus alert

- This bit is set and cleared by software, and cleared by hardware when PE=0.
- 0: Releases SMBA pin high. Alert Response Address Header followed by NACK.
- 1: Drives SMBA pin low. Alert Response Address Header followed by ACK.

Bit 12 **PEC**: Packet error checking

This bit is set and cleared by software, and cleared by hardware when PEC is transferred or by a START or Stop condition or when PE=0.

- 0: No PEC transfer
- 1: PEC transfer (in Tx or Rx mode)

Note: PEC calculation is corrupted by an arbitration loss.

Bit 11 **POS**: Acknowledge/PEC Position (for data reception)

This bit is set and cleared by software and cleared by hardware when PE=0.

- 0: ACK bit controls the (N)ACK of the current byte being received in the shift register. The PEC bit indicates that current byte in shift register is a PEC.
- 1: ACK bit controls the (N)ACK of the next byte which is received in the shift register. The PEC bit indicates that the next byte in the shift register is a PEC

Note: The POS bit must be used only in 2-byte reception configuration in controller mode. It must be configured before data reception starts, as described in the 2-byte reception procedure recommended in [Section : Controller receiver](#).

- Bit 10 **ACK**: Acknowledge enable
This bit is set and cleared by software and cleared by hardware when PE=0.
0: No acknowledge returned
1: Acknowledge returned after a byte is received (matched address or data)
- Bit 9 **STOP**: Stop generation
The bit is set and cleared by software, cleared by hardware when a Stop condition is detected, set by hardware when a timeout error is detected.
In Controller mode:
0: No Stop generation.
1: Stop generation after the current byte transfer or after the current Start condition is sent.
In Target mode:
0: No Stop generation.
1: Release the SCL and SDA lines after the current byte transfer.
- Bit 8 **START**: Start generation
This bit is set and cleared by software and cleared by hardware when start is sent or PE=0.
In Controller mode:
0: No Start generation
1: Repeated start generation
In Target mode:
0: No Start generation
1: Start generation when the bus is free
- Bit 7 **NOSTRETCH**: Clock stretching disable (Target mode)
This bit is used to disable clock stretching in target mode when ADDR or BTF flag is set, until it is reset by software.
0: Clock stretching enabled
1: Clock stretching disabled
- Bit 6 **ENGCG**: General call enable
0: General call disabled. Address 00h is NACKed.
1: General call enabled. Address 00h is ACKed.
- Bit 5 **ENPEC**: PEC enable
0: PEC calculation disabled
1: PEC calculation enabled
- Bit 4 **ENARP**: ARP enable
0: ARP disable
1: ARP enable
SMBus Device default address recognized if SMBTYPE=0
SMBus Host address recognized if SMBTYPE=1
- Bit 3 **SMBTYPE**: SMBus type
0: SMBus Device
1: SMBus Host

Bit 2 Reserved, must be kept at reset value

Bit 1 **SMBUS**: SMBus mode
 0: I²C mode
 1: SMBus mode

Bit 0 **PE**: Peripheral enable
 0: Peripheral disable
 1: Peripheral enable

*Note: If this bit is reset while a communication is on going, the peripheral is disabled at the end of the current communication, when back to IDLE state.
 All bit resets due to PE=0 occur at the end of the communication.
 In controller mode, this bit must not be reset before the end of the communication.*

Note: When the STOP, START or PEC bit is set, the software must not perform any write access to I2C_CR1 before this bit is cleared by hardware. Otherwise there is a risk of setting a second STOP, START or PEC request.

23.6.2 I²C Control register 2 (I2C_CR2)

Address offset: 0x04
 Reset value: 0x0000

15	14	13	12	11	10	9	8	7	6	5	4	3	2	1	0
Reserved			LAST	DMAEN	ITBUFEN	ITEVTEN	ITERREN	Reserved		FREQ[5:0]					
			rw	rw	rw	rw	rw			rw	rw	rw	rw	rw	rw

Bits 15:13 Reserved, must be kept at reset value

Bit 12 **LAST**: DMA last transfer
 0: Next DMA EOT is not the last transfer
 1: Next DMA EOT is the last transfer

Note: This bit is used in controller receiver mode to permit the generation of a NACK on the last received data.

Bit 11 **DMAEN**: DMA requests enable
 0: DMA requests disabled
 1: DMA request enabled when TxE=1 or RxNE =1

Bit 10 **ITBUFEN**: Buffer interrupt enable
 0: TxE = 1 or RxNE = 1 does not generate any interrupt.
 1: TxE = 1 or RxNE = 1 generates Event Interrupt (whatever the state of DMAEN)

Bit 9 **ITEVTEN**: Event interrupt enable

0: Event interrupt disabled

1: Event interrupt enabled

This interrupt is generated when:

- SB = 1 (Controller)
- ADDR = 1 (Controller/Target)
- ADD10 = 1 (Controller)
- STOPF = 1 (Target)
- BTF = 1 with no TxE or RxNE event
- TxE event to 1 if ITBUFEN = 1
- RxNE event to 1 if ITBUFEN = 1

Bit 8 **ITERREN**: Error interrupt enable

0: Error interrupt disabled

1: Error interrupt enabled

This interrupt is generated when:

- BERR = 1
- ARLO = 1
- AF = 1
- OVR = 1
- PECERR = 1
- TIMEOUT = 1
- SMBALERT = 1

Bits 7:6 Reserved, must be kept at reset value

Bits 5:0 **FREQ[5:0]**: Peripheral clock frequency

The FREQ bits must be configured with the APB clock frequency value (I2C peripheral connected to APB). The FREQ field is used by the peripheral to generate data setup and hold times compliant with the I2C specifications. The minimum allowed frequency is 2 MHz, the maximum frequency is limited by the maximum APB frequency and cannot exceed 50 MHz (peripheral intrinsic maximum limit).

0b000000: Not allowed

0b000001: Not allowed

0b000010: 2 MHz

...

0b110010: 50 MHz

Higher than 0b101010: Not allowed

23.6.3 I²C Own address register 1 (I2C_OAR1)

Address offset: 0x08
 Reset value: 0x0000

15	14	13	12	11	10	9	8	7	6	5	4	3	2	1	0	
ADD MODE	Reserved					ADD[9:8]		ADD[7:1]							ADD0	
rW						rW	rW	rW	rW	rW	rW	rW	rW	rW	rW	rW

Bit 15 **ADDMODE** Addressing mode (target mode)
 0: 7-bit target address (10-bit address not acknowledged)
 1: 10-bit target address (7-bit address not acknowledged)

Bit 14 Should always be kept at 1 by software.

Bits 13:10 Reserved, must be kept at reset value

Bits 9:8 **ADD[9:8]**: Interface address
 7-bit addressing mode: don't care
 10-bit addressing mode: bits9:8 of address

Bits 7:1 **ADD[7:1]**: Interface address
 bits 7:1 of address

Bit 0 **ADD0**: Interface address
 7-bit addressing mode: don't care
 10-bit addressing mode: bit 0 of address

23.6.4 I²C Own address register 2 (I2C_OAR2)

Address offset: 0x0C
 Reset value: 0x0000

15	14	13	12	11	10	9	8	7	6	5	4	3	2	1	0	
Reserved								ADD2[7:1]							ENDUAL	
								rW	rW	rW	rW	rW	rW	rW	rW	rW

Bits 15:8 Reserved, must be kept at reset value

Bits 7:1 **ADD2[7:1]**: Interface address
 bits 7:1 of address in dual addressing mode

Bit 0 **ENDUAL**: Dual addressing mode enable
 0: Only OAR1 is recognized in 7-bit addressing mode
 1: Both OAR1 and OAR2 are recognized in 7-bit addressing mode

23.6.5 I²C Data register (I2C_DR)

Address offset: 0x10
 Reset value: 0x0000

15	14	13	12	11	10	9	8	7	6	5	4	3	2	1	0	
Reserved								DR[7:0]								
								rw	rw	rw	rw	rw	rw	rw	rw	rw

Bits 15:8 Reserved, must be kept at reset value

Bits 7:0 **DR[7:0]** 8-bit data register

Byte received or to be transmitted to the bus.

- Transmitter mode: Byte transmission starts automatically when a byte is written in the DR register. A continuous transmit stream can be maintained if the next data to be transmitted is put in DR once the transmission is started (TxE=1)
- Receiver mode: Received byte is copied into DR (RxNE=1). A continuous transmit stream can be maintained if DR is read before the next data byte is received (RxNE=1).

Note: In target mode, the address is not copied into DR.

Write collision is not managed (DR can be written if TxE=0).

If an ARLO event occurs on ACK pulse, the received byte is not copied into DR and so cannot be read.

23.6.6 I²C Status register 1 (I2C_SR1)

Address offset: 0x14
 Reset value: 0x0000

15	14	13	12	11	10	9	8	7	6	5	4	3	2	1	0
SMB ALERT	TIME OUT	Res.	PEC ERR	OVR	AF	ARLO	BERR	TxE	RxNE	Res.	STOPF	ADD10	BTF	ADDR	SB
rc_w0	rc_w0		rc_w0	rc_w0	rc_w0	rc_w0	rc_w0	r	r		r	r	r	r	r

Bit 15 **SMBALERT**: SMBus alert

In SMBus host mode:

- 0: no SMBALERT
- 1: SMBALERT event occurred on pin

In SMBus target mode:

- 0: no SMBALERT response address header
- 1: SMBALERT response address header to SMBALERT LOW received

- Cleared by software writing 0, or by hardware when PE=0.

- Bit 14 **TIMEOUT**: Timeout or Tlow error
- 0: No timeout error
 - 1: SCL remained LOW for 25 ms (Timeout)
- or
- Controller cumulative clock low extend time more than 10 ms (Tlow:mext)
- or
- Target cumulative clock low extend time more than 25 ms (Tlow:sext)
- When set in target mode: target resets the communication and lines are released by hardware
 - When set in controller mode: Stop condition sent by hardware
 - Cleared by software writing 0, or by hardware when PE=0.
- Note: This functionality is available only in SMBus mode.*
- Bit 13 Reserved, must be kept at reset value
- Bit 12 **PECERR**: PEC Error in reception
- 0: no PEC error: receiver returns ACK after PEC reception (if ACK=1)
 - 1: PEC error: receiver returns NACK after PEC reception (whatever ACK)
- Cleared by software writing 0, or by hardware when PE=0.
- Note: When the received CRC is wrong, PECERR is not set in target mode if the PEC control bit is not set before the end of the CRC reception. Nevertheless, reading the PEC value determines whether the received CRC is right or wrong.*
- Bit 11 **OVR**: Overrun/Underrun
- 0: No overrun/underrun
 - 1: Overrun or underrun
- Set by hardware in target mode when NOSTRETCH=1 and:
 - In reception when a new byte is received (including ACK pulse) and the DR register has not been read yet. New received byte is lost.
 - In transmission when a new byte should be sent and the DR register has not been written yet. The same byte is sent twice.
 - Cleared by software writing 0, or by hardware when PE=0.
- Note: If the DR write occurs very close to SCL rising edge, the sent data is unspecified and a hold timing error occurs*
- Bit 10 **AF**: Acknowledge failure
- 0: No acknowledge failure
 - 1: Acknowledge failure
- Set by hardware when no acknowledge is returned.
 - Cleared by software writing 0, or by hardware when PE=0.
- Bit 9 **ARLO**: Arbitration lost (controller mode)
- 0: No Arbitration Lost detected
 - 1: Arbitration Lost detected
- Set by hardware when the interface loses the arbitration of the bus to another controller
- Cleared by software writing 0, or by hardware when PE=0.
- After an ARLO event the interface switches back automatically to Target mode (MSL=0).
- Note: In SMBUS, the arbitration on the data in target mode occurs only during the data phase, or the acknowledge transmission (not on the address acknowledge).*

- Bit 8 **BERR**: Bus error
- 0: No misplaced Start or Stop condition
 - 1: Misplaced Start or Stop condition
- Set by hardware when the interface detects an SDA rising or falling edge while SCL is high, occurring in a non-valid position during a byte transfer.
 - Cleared by software writing 0, or by hardware when PE=0.
- Bit 7 **TxE**: Data register empty (transmitters)
- 0: Data register not empty
 - 1: Data register empty
- Set when DR is empty in transmission. TxE is not set during address phase.
 - Cleared by software writing to the DR register or by hardware after a start or a stop condition or when PE=0.
- TxE is not set if either a NACK is received, or if next byte to be transmitted is PEC (PEC=1)
- Note: TxE is not cleared by writing the first data being transmitted, or by writing data when BTF is set, as in both cases the data register is still empty.*
- Bit 6 **RxNE**: Data register not empty (receivers)
- 0: Data register empty
 - 1: Data register not empty
- Set when data register is not empty in receiver mode. RxNE is not set during address phase.
 - Cleared by software reading or writing the DR register or by hardware when PE=0.
- RxNE is not set in case of ARLO event.
- Note: RxNE is not cleared by reading data when BTF is set, as the data register is still full.*
- Bit 5 Reserved, must be kept at reset value
- Bit 4 **STOPF**: Stop detection (target mode)
- 0: No Stop condition detected
 - 1: Stop condition detected
- Set by hardware when a Stop condition is detected on the bus by the target after an acknowledge (if ACK=1).
 - Cleared by software reading the SR1 register followed by a write in the CR1 register, or by hardware when PE=0
- Note: The STOPF bit is not set after a NACK reception.
It is recommended to perform the complete clearing sequence (READ SR1 then WRITE CR1) after the STOPF is set. Refer to Figure 219.*
- Bit 3 **ADD10**: 10-bit header sent (Controller mode)
- 0: No ADD10 event occurred.
 - 1: Controller has sent first address byte (header).
- Set by hardware when the controller has sent the first byte in 10-bit address mode.
 - Cleared by software reading the SR1 register followed by a write in the DR register of the second address byte, or by hardware when PE=0.
- Note: ADD10 bit is not set after a NACK reception*

Bit 2 **BTF**: Byte transfer finished

- 0: Data byte transfer not done
- 1: Data byte transfer succeeded

- Set by hardware when NOSTRETCH=0 and:
 - In reception when a new byte is received (including ACK pulse) and DR has not been read yet (RxNE=1).
 - In transmission when a new byte should be sent and DR has not been written yet (TxE=1).
- Cleared by software by either a read or write in the DR register or by hardware after a start or a stop condition in transmission or when PE=0.

Note: The BTF bit is not set after a NACK reception

The BTF bit is not set if next byte to be transmitted is the PEC (TRA=1 in I2C_SR2 register and PEC=1 in I2C_CR1 register)

Bit 1 **ADDR**: Address sent (controller mode)/matched (target mode)

This bit is cleared by software reading SR1 register followed reading SR2, or by hardware when PE=0.

Address matched (Target)

- 0: Address mismatched or not received.
- 1: Received address matched.

- Set by hardware as soon as the received target address matched with the OAR registers content or a general call or a SMBus Device Default Address or SMBus Host or SMBus Alert is recognized. (when enabled depending on configuration).

Note: In target mode, it is recommended to perform the complete clearing sequence (READ SR1 then READ SR2) after ADDR is set. Refer to Figure 219.

Address sent (Controller)

- 0: No end of address transmission
- 1: End of address transmission

- For 10-bit addressing, the bit is set after the ACK of the 2nd byte.
- For 7-bit addressing, the bit is set after the ACK of the byte.

Note: ADDR is not set after a NACK reception

Bit 0 **SB**: Start bit (Controller mode)

- 0: No Start condition
- 1: Start condition generated.

- Set when a Start condition generated.
- Cleared by software by reading the SR1 register followed by writing the DR register, or by hardware when PE=0

23.6.7 I²C Status register 2 (I2C_SR2)

Address offset: 0x18

Reset value: 0x0000

Note: Reading I2C_SR2 after reading I2C_SR1 clears the ADDR flag, even if the ADDR flag was set after reading I2C_SR1. Consequently, I2C_SR2 must be read only when ADDR is found set in I2C_SR1 or when the STOPF bit is cleared.

15	14	13	12	11	10	9	8	7	6	5	4	3	2	1	0
PEC[7:0]								DUALF	SMB HOST	SMBDE FAULT	GEN CALL	Res.	TRA	BUSY	MSL
r	r	r	r	r	r	r	r	r	r	r	r		r	r	r



- Bits 15:8 **PEC[7:0]** Packet error checking register
This register contains the internal PEC when ENPEC=1.
- Bit 7 **DUALF**: Dual flag (Target mode)
0: Received address matched with OAR1
1: Received address matched with OAR2
– Cleared by hardware after a Stop condition or repeated Start condition, or when PE=0.
- Bit 6 **SMBHOST**: SMBus host header (Target mode)
0: No SMBus Host address
1: SMBus Host address received when SMBTYPE=1 and ENARP=1.
– Cleared by hardware after a Stop condition or repeated Start condition, or when PE=0.
- Bit 5 **SMBDEFAULT**: SMBus device default address (Target mode)
0: No SMBus Device Default address
1: SMBus Device Default address received when ENARP=1
– Cleared by hardware after a Stop condition or repeated Start condition, or when PE=0.
- Bit 4 **GENCALL**: General call address (Target mode)
0: No General Call
1: General Call Address received when ENGC=1
– Cleared by hardware after a Stop condition or repeated Start condition, or when PE=0.
- Bit 3 Reserved, must be kept at reset value
- Bit 2 **TRA**: Transmitter/receiver
0: Data bytes received
1: Data bytes transmitted
This bit is set depending on the R/W bit of the address byte, at the end of total address phase.
It is also cleared by hardware after detection of Stop condition (STOPF=1), repeated Start condition, loss of bus arbitration (ARLO=1), or when PE=0.
- Bit 1 **BUSY**: Bus busy
0: No communication on the bus
1: Communication ongoing on the bus
– Set by hardware on detection of SDA or SCL low
– cleared by hardware on detection of a Stop condition.
It indicates a communication in progress on the bus. This information is still updated when the interface is disabled (PE=0).
- Bit 0 **MSL**: Controller/target
0: Target mode
1: Controller mode
– Set by hardware as soon as the interface is in Controller mode (SB=1).
– Cleared by hardware after detecting a Stop condition on the bus or a loss of arbitration (ARLO=1), or by hardware when PE=0.

Note: Reading I2C_SR2 after reading I2C_SR1 clears the ADDR flag, even if the ADDR flag was set after reading I2C_SR1. Consequently, I2C_SR2 must be read only when ADDR is found set in I2C_SR1 or when the STOPF bit is cleared.

23.6.8 I²C Clock control register (I2C_CCR)

Address offset: 0x1C
 Reset value: 0x0000

Note: f_{PCLK1} must be at least 2 MHz to achieve Sm mode I²C frequencies. It must be at least 4 MHz to achieve Fm mode I²C frequencies. It must be a multiple of 10MHz to reach the 400 kHz maximum I²C Fm mode clock.

The CCR register must be configured only when the I2C is disabled (PE = 0).

15	14	13	12	11	10	9	8	7	6	5	4	3	2	1	0
F/S	DUTY	Reserved			CCR[11:0]										
r/w	r/w				r/w	r/w	r/w	r/w	r/w	r/w	r/w	r/w	r/w	r/w	r/w

Bit 15 **F/S**: I2C controller mode selection

- 0: Sm mode I2C
- 1: Fm mode I2C

Bit 14 **DUTY**: Fm mode duty cycle

- 0: Fm mode $t_{low}/t_{high} = 2$
- 1: Fm mode $t_{low}/t_{high} = 16/9$ (see CCR)

Bits 13:12 Reserved, must be kept at reset value

Bits 11:0 **CCR[11:0]**: Clock control register in Fm/Sm mode (Controller mode)

Controls the SCL clock in controller mode.

Sm mode or SMBus:

$$T_{high} = CCR * T_{PCLK1}$$

$$T_{low} = CCR * T_{PCLK1}$$

Fm mode:

If DUTY = 0:

$$T_{high} = CCR * T_{PCLK1}$$

$$T_{low} = 2 * CCR * T_{PCLK1}$$

If DUTY = 1:

$$T_{high} = 9 * CCR * T_{PCLK1}$$

$$T_{low} = 16 * CCR * T_{PCLK1}$$

For instance: in Sm mode, to generate a 100 kHz SCL frequency:

If FREQ = 08, $T_{PCLK1} = 125$ ns so CCR must be programmed with 0x28

(0x28 \Leftrightarrow 40d x 125 ns = 5000 ns.)

Note: The minimum allowed value is 0x04, except in FAST DUTY mode where the minimum allowed value is 0x01

$$t_{high} = t_{r(SCL)} + t_{w(SCLH)}$$

$$t_{low} = t_{f(SCL)} + t_{w(SCLL)}$$

Where the I2C parameters below are part of the I2C standard specification.

- $t_{r(SCL)}$ = SCL clock rise time from 30% to 70%.

- $t_{f(SCL)}$ = SCL clock fall time from 70% to 30%.

- $t_{w(SCLH)}$ = SCL clock high time measure at 70%.

- $t_{w(SCLL)}$ = SCL clock low time measure at 30%.

I2C communication speed, $f_{SCL} \sim 1/(t_{high} + t_{low})$. The real frequency may differ due to the analog noise filter input delay.

The CCR register must be configured only when the I²C is disabled (PE = 0).

23.6.9 I²C TRISE register (I2C_TRISE)

Address offset: 0x20
 Reset value: 0x0002

15	14	13	12	11	10	9	8	7	6	5	4	3	2	1	0
Reserved										TRISE[5:0]					
										rw	rw	rw	rw	rw	rw

Bits 15:6 Reserved, must be kept at reset value

Bits 5:0 **TRISE[5:0]**: Maximum rise time in Fm/Sm mode (Controller mode)

These bits should provide the maximum duration of the SCL feedback loop in controller mode. The purpose is to keep a stable SCL frequency whatever the SCL rising edge duration.

These bits must be programmed with the maximum SCL rise time given in the I²C bus specification, incremented by 1.

For instance: in Sm mode, the maximum allowed SCL rise time is 1000 ns.

If, in the I2C_CR2 register, the value of **FREQ[5:0]** bits is equal to 0x08 and $T_{PCLK1} = 125$ ns therefore the **TRISE[5:0]** bits must be programmed with 09h.

$$(1000 \text{ ns} / 125 \text{ ns} = 8 + 1)$$

The filter value can also be added to **TRISE[5:0]**.

If the result is not an integer, **TRISE[5:0]** must be programmed with the integer part, in order to respect the t_{HIGH} parameter.

Note: TRISE[5:0] must be configured only when the I2C is disabled (PE = 0).

23.6.10 I²C register map

The table below provides the I²C register map and reset values.

Table 83. I²C register map and reset values

Offset	Register	31	30	29	28	27	26	25	24	23	22	21	20	19	18	17	16	15	14	13	12	11	10	9	8	7	6	5	4	3	2	1	0
0x00	I2C_CR1	Reserved																SWRST	Reserved	ALERT	PEC	POS	ACK	STOP	START	NOSTRETCH	ENG	ENPEC	ENARP	SMBTYPE	Reserved	SMBUS	PE
	Reset value	0																0	0	0	0	0	0	0	0	0	0	0	0	0	0	0	0
0x04	I2C_CR2	Reserved												LAST	DMAEN	ITBUFEN	ITEVTEN	ITERREN	Reserved	FREQ[5:0]													
	Reset value	0												0	0	0	0	0	0	0	0	0	0	0	0	0	0						
0x08	I2C_OAR1	Reserved										ADDMODE	Reserved				ADD[9:8]		ADD[7:1]					ADD0									
	Reset value	0										0	0	0	0	0	0	0	0	0	0	0	0	0	0								
0x0C	I2C_OAR2	Reserved														ADD2[7:1]					ENDUAL												
	Reset value	0														0	0	0	0	0	0	0	0	0	0								
0x10	I2C_DR	Reserved														DR[7:0]																	
	Reset value	0														0	0	0	0	0	0	0	0	0									
0x14	I2C_SR1	Reserved										SMBALERT	TIMEOUT	Reserved	PECERR	OVR	AF	ARLO	BERR	TxE	RxNE	Reserved	STOPF	ADD10	BTF	ADDR	SB						
	Reset value	0										0	0	0	0	0	0	0	0	0	0	0	0	0	0	0	0	0					
0x18	I2C_SR2	Reserved										PEC[7:0]							DUALF	SMBHOST	SMBDEFAUL	GENCALL	Reserved	TRA	BUSY	MSL							
	Reset value	0										0	0	0	0	0	0	0	0	0	0	0	0	0	0	0							
0x1C	I2C_CCR	Reserved										F/S	DUTY	Reserved	CCR[11:0]																		
	Reset value	0										0	0	0	0	0	0	0	0	0	0	0	0	0	0	0	0	0	0				
0x20	I2C_TRISE	Reserved														TRISE[5:0]																	
	Reset value	0														0	0	0	0	0	0	0	0	0	0	0	0	0	0				

Refer to [Section 3.3: Memory map](#) for the register boundary addresses table.

24 Universal synchronous asynchronous receiver transmitter (USART)

This section applies to the whole STM32F20x and STM32F21x family, unless otherwise specified.

24.1 USART introduction

The universal synchronous asynchronous receiver transmitter (USART) offers a flexible means of full-duplex data exchange with external equipment requiring an industry standard NRZ asynchronous serial data format. The USART offers a very wide range of baud rates using a fractional baud rate generator.

It supports synchronous one-way communication and half-duplex single wire communication. It also supports the LIN (local interconnection network), Smartcard Protocol and IrDA (infrared data association) SIR ENDEC specifications, and modem operations (CTS/RTS). It allows multiprocessor communication.

High speed data communication is possible by using the DMA for multibuffer configuration.

24.2 USART main features

- Full duplex, asynchronous communications
- NRZ standard format (Mark/Space)
- Configurable oversampling method by 16 or by 8 to give flexibility between speed and clock tolerance
- Fractional baud rate generator systems
 - Common programmable transmit and receive baud rate of up to 7.5 Mbit/s when the APB frequency is 60 MHz and oversampling is by 8
- Programmable data word length (8 or 9 bits)
- Configurable stop bits - support for 1 or 2 stop bits
- LIN Master Synchronous Break send capability and LIN slave break detection capability
 - 13-bit break generation and 10/11 bit break detection when USART is hardware configured for LIN
- Transmitter clock output for synchronous transmission
- IrDA SIR encoder decoder
 - Support for 3/16 bit duration for normal mode
- Smartcard emulation capability
 - The Smartcard interface supports the asynchronous protocol Smartcards as defined in the ISO 7816-3 standards
 - 0.5, 1.5 stop bits for Smartcard operation
- Single-wire half-duplex communication
- Configurable multibuffer communication using DMA (direct memory access)
 - Buffering of received/transmitted bytes in reserved SRAM using centralized DMA

- Separate enable bits for transmitter and receiver
- Transfer detection flags:
 - Receive buffer full
 - Transmit buffer empty
 - End of transmission flags
- Parity control:
 - Transmits parity bit
 - Checks parity of received data byte
- Four error detection flags:
 - Overrun error
 - Noise detection
 - Frame error
 - Parity error
- Ten interrupt sources with flags:
 - CTS changes
 - LIN break detection
 - Transmit data register empty
 - Transmission complete
 - Receive data register full
 - Idle line received
 - Overrun error
 - Framing error
 - Noise error
 - Parity error
- Multiprocessor communication - enter into mute mode if address match does not occur
- Wake up from mute mode (by idle line detection or address mark detection)
- Two receiver wake-up modes: Address bit (MSB, 9th bit), Idle line

24.3 USART functional description

The interface is externally connected to another device by three pins (see [Figure 223](#)). Any USART bidirectional communication requires a minimum of two pins: Receive Data In (RX) and Transmit Data Out (TX):

RX: Receive Data Input is the serial data input. Oversampling techniques are used for data recovery by discriminating between valid incoming data and noise.

TX: Transmit Data Output. When the transmitter is disabled, the output pin returns to its I/O port configuration. When the transmitter is enabled and nothing is to be transmitted, the TX pin is at high level. In single-wire and smartcard modes, this I/O is used to transmit and receive the data (at USART level, data are then received on SW_RX).

Through these pins, serial data is transmitted and received in normal USART mode as frames comprising:

- An Idle Line prior to transmission or reception
- A start bit
- A data word (8 or 9 bits) least significant bit first
- 0.5, 1, 1.5, 2 Stop bits indicating that the frame is complete
- This interface uses a fractional baud rate generator - with a 12-bit mantissa and 4-bit fraction
- A status register (USART_SR)
- Data Register (USART_DR)
- A baud rate register (USART_BRR) - 12-bit mantissa and 4-bit fraction.
- A Guardtime Register (USART_GTPR) in case of Smartcard mode.

Refer to [Section 24.6: USART registers on page 660](#) for the definitions of each bit.

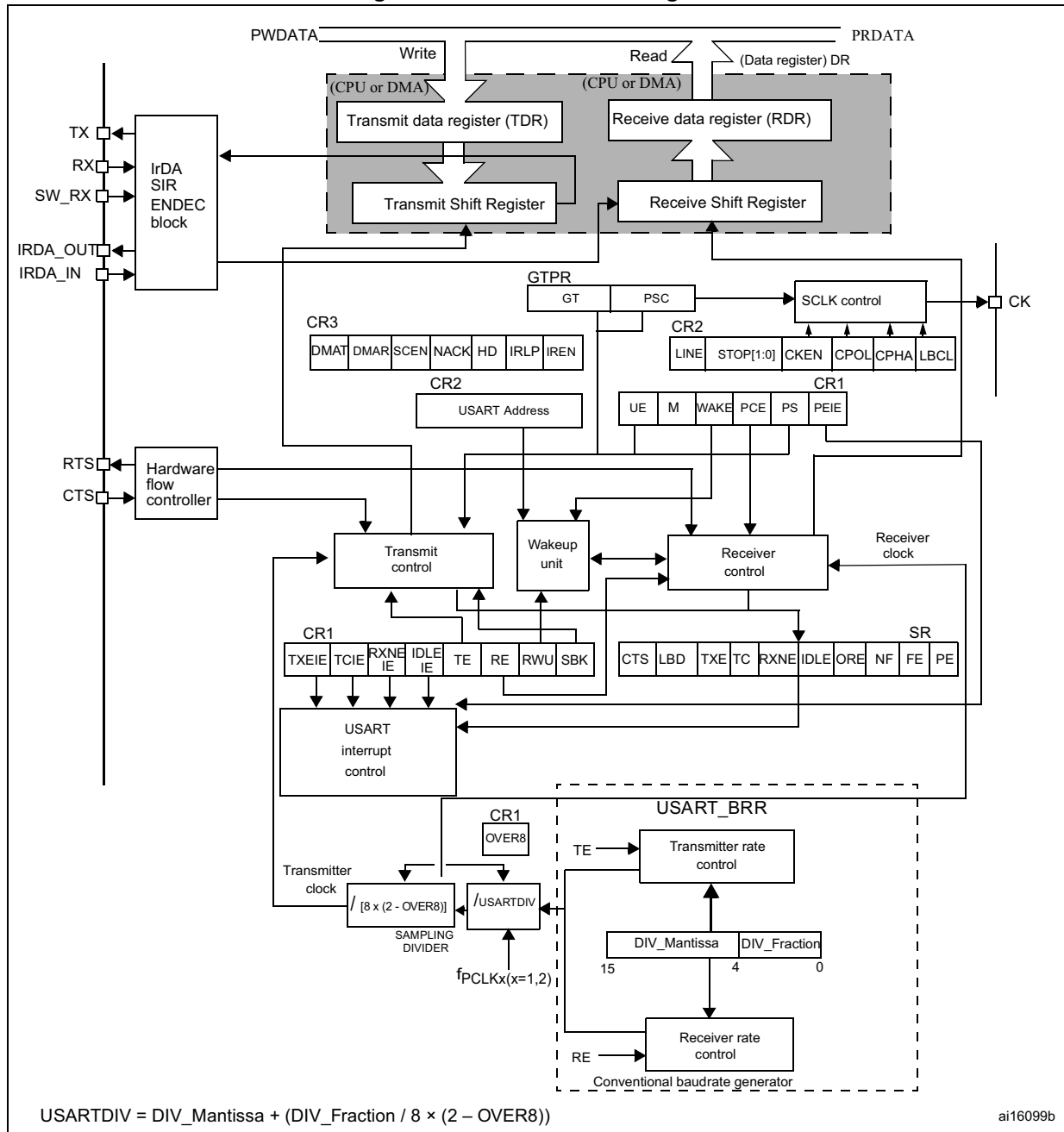
The following pin is required to interface in synchronous mode:

- **CK:** Transmitter clock output. This pin outputs the transmitter data clock for synchronous transmission corresponding to SPI master mode (no clock pulses on start bit and stop bit, and a software option to send a clock pulse on the last data bit). In parallel data can be received synchronously on RX. This can be used to control peripherals that have shift registers (e.g. LCD drivers). The clock phase and polarity are software programmable. In smartcard mode, CK can provide the clock to the smartcard.

The following pins are required in Hardware flow control mode:

- **CTS:** Clear To Send blocks the data transmission at the end of the current transfer when high
- **RTS:** Request to send indicates that the USART is ready to receive a data (when low).

Figure 223. USART block diagram



24.3.1 USART character description

Word length may be selected as being either 8 or 9 bits by programming the M bit in the USART_CR1 register (see [Figure 224](#)).

The TX pin is in low state during the start bit. It is in high state during the stop bit.

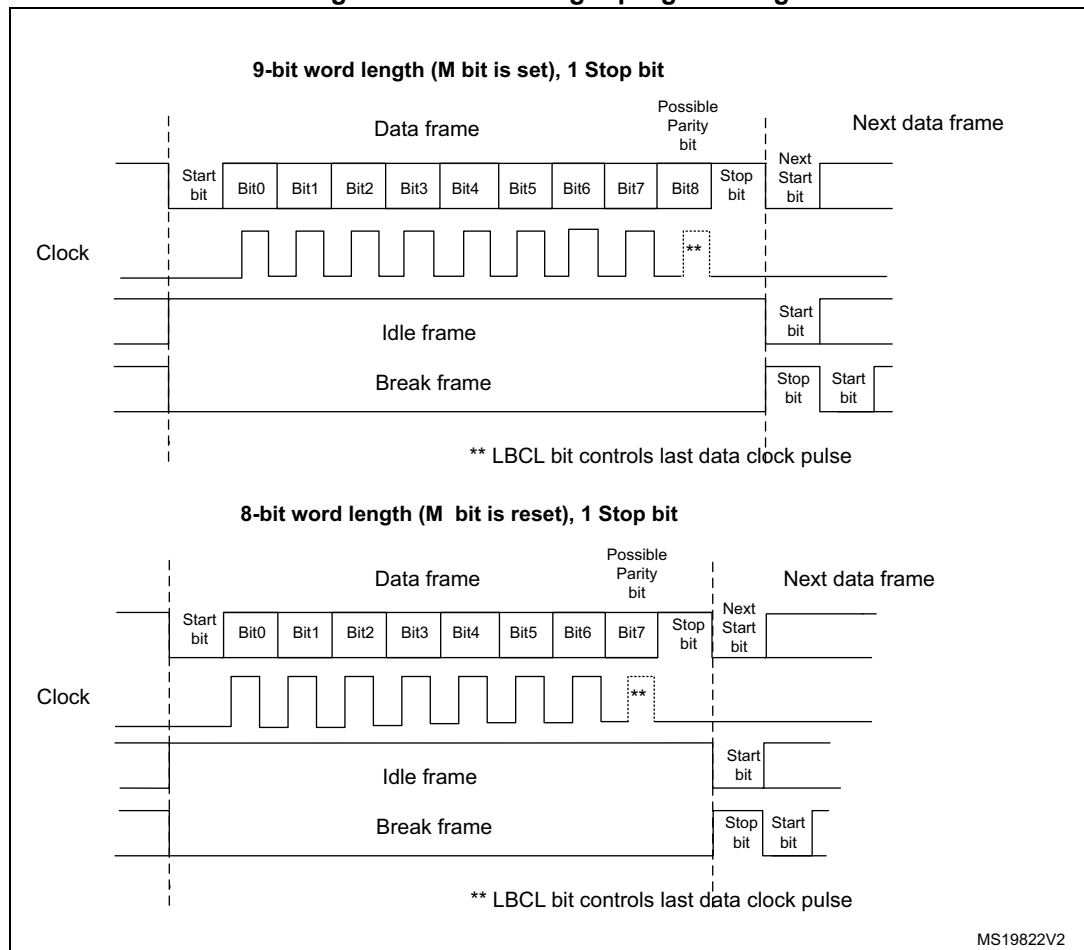
An **Idle character** is interpreted as an entire frame of “1”s followed by the start bit of the next frame which contains data (The number of “1” ‘s includes the number of stop bits).

A **Break character** is interpreted on receiving “0”s for a frame period. At the end of the break frame the transmitter inserts either 1 or 2 stop bits (logic “1” bit) to acknowledge the start bit.

Transmission and reception are driven by a common baud rate generator, the clock for each is generated when the enable bit is set respectively for the transmitter and receiver.

The details of each block is given below.

Figure 224. Word length programming



24.3.2 Transmitter

The transmitter can send data words of either 8 or 9 bits depending on the M bit status. When the transmit enable bit (TE) is set, the data in the transmit shift register is output on the TX pin and the corresponding clock pulses are output on the CK pin.

Character transmission

During an USART transmission, data shifts out least significant bit first on the TX pin. In this mode, the USART_DR register consists of a buffer (TDR) between the internal bus and the transmit shift register (see [Figure 223](#)).

Every character is preceded by a start bit which is a logic level low for one bit period. The character is terminated by a configurable number of stop bits.

The following stop bits are supported by USART: 0.5, 1, 1.5 and 2 stop bits.

Note: The TE bit should not be reset during transmission of data. Resetting the TE bit during the transmission corrupts the data on the TX pin as the baud rate counters get frozen. The current data being transmitted are lost.

An idle frame is sent after the TE bit is enabled.

Configurable stop bits

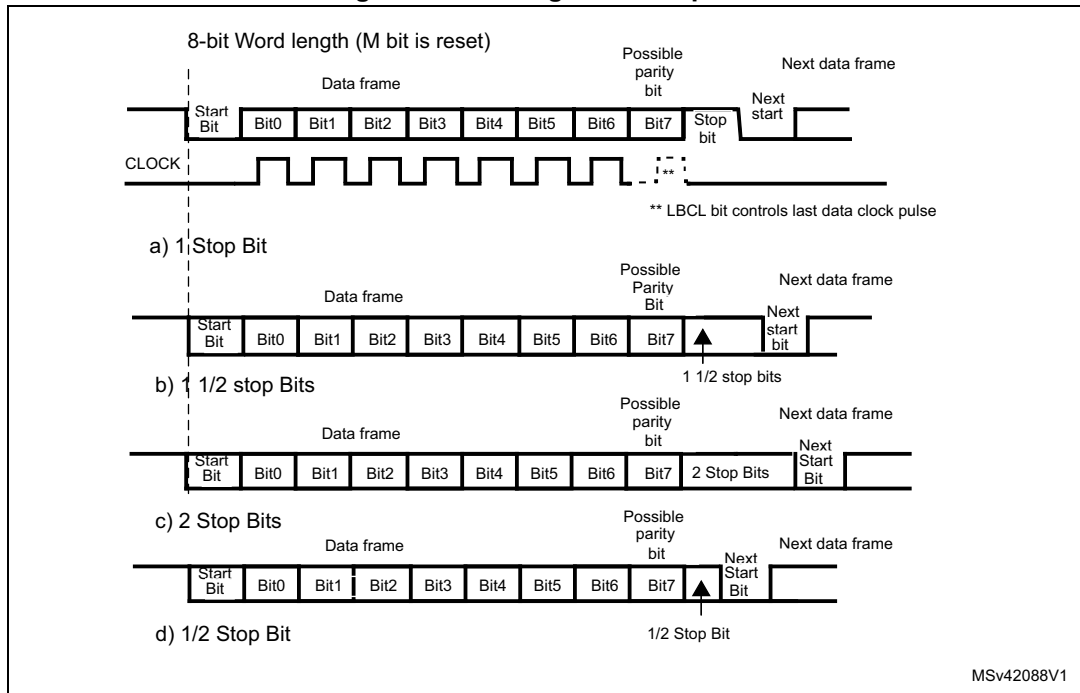
The number of stop bits to be transmitted with every character can be programmed in Control register 2, bits 13,12.

- **1 stop bit:** This is the default value of number of stop bits.
- **2 Stop bits:** This is supported by normal USART, single-wire and modem modes.
- **0.5 stop bit:** To be used when receiving data in Smartcard mode.
- **1.5 stop bits:** To be used when transmitting and receiving data in Smartcard mode.

An idle frame transmission includes the stop bits.

A break transmission is 10 low bits followed by the configured number of stop bits (when m = 0) and 11 low bits followed by the configured number of stop bits (when m = 1). It is not possible to transmit long breaks (break of length greater than 10/11 low bits).

Figure 225. Configurable stop bits



Procedure:

1. Enable the USART by writing the UE bit in USART_CR1 register to 1.
2. Program the M bit in USART_CR1 to define the word length.
3. Program the number of stop bits in USART_CR2.
4. Select DMA enable (DMAT) in USART_CR3 if Multi buffer Communication is to take place. Configure the DMA register as explained in multibuffer communication.
5. Select the desired baud rate using the USART_BRR register.
6. Set the TE bit in USART_CR1 to send an idle frame as first transmission.
7. Write the data to send in the USART_DR register (this clears the TXE bit). Repeat this for each data to be transmitted in case of single buffer.
8. After writing the last data into the USART_DR register, wait until TC=1. This indicates that the transmission of the last frame is complete. This is required for instance when the USART is disabled or enters the Halt mode to avoid corrupting the last transmission.

Single byte communication

Clearing the TXE bit is always performed by a write to the data register.

The TXE bit is set by hardware and it indicates:

- The data has been moved from TDR to the shift register and the data transmission has started.
- The TDR register is empty.
- The next data can be written in the USART_DR register without overwriting the previous data.

This flag generates an interrupt if the TXEIE bit is set.

When a transmission is taking place, a write instruction to the USART_DR register stores the data in the TDR register and which is copied in the shift register at the end of the current transmission.

When no transmission is taking place, a write instruction to the USART_DR register places the data directly in the shift register, the data transmission starts, and the TXE bit is immediately set.

If a frame is transmitted (after the stop bit) and the TXE bit is set, the TC bit goes high. An interrupt is generated if the TCIE bit is set in the USART_CR1 register.

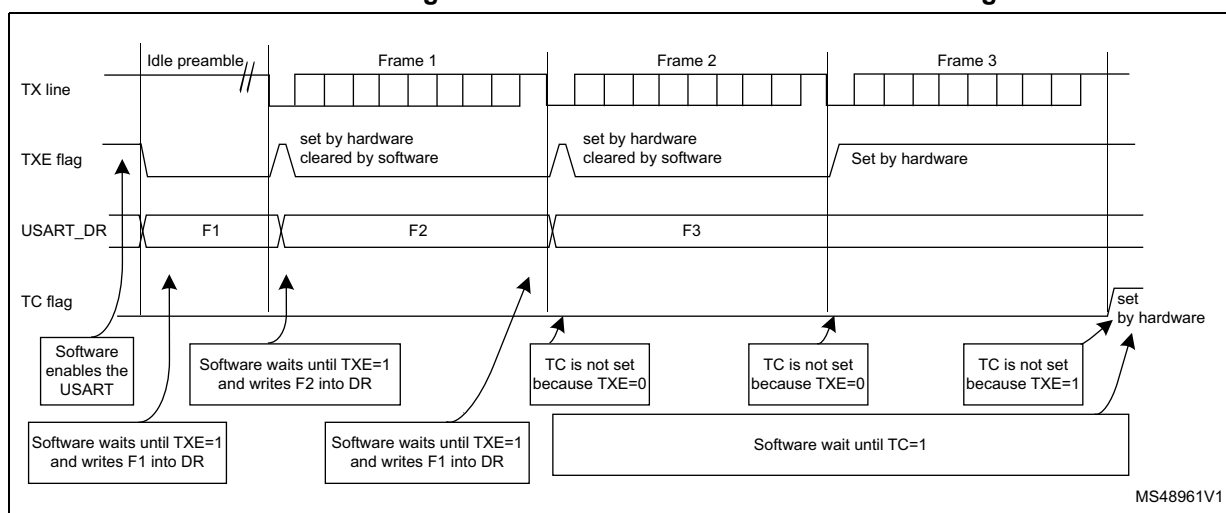
After writing the last data into the USART_DR register, it is mandatory to wait for TC=1 before disabling the USART or causing the microcontroller to enter the low-power mode (see [Figure 226: TC/TXE behavior when transmitting](#)).

The TC bit is cleared by the following software sequence:

1. A read from the USART_SR register
2. A write to the USART_DR register

Note: The TC bit can also be cleared by writing a '0' to it. This clearing sequence is recommended only for Multibuffer communication.

Figure 226. TC/TXE behavior when transmitting



Break characters

Setting the SBK bit transmits a break character. The break frame length depends on the M bit (see [Figure 224](#)).

If the SBK bit is set to '1 a break character is sent on the TX line after completing the current character transmission. This bit is reset by hardware when the break character is completed (during the stop bit of the break character). The USART inserts a logic 1 bit at the end of the last break frame to guarantee the recognition of the start bit of the next frame.

Note: If the software resets the SBK bit before the commencement of break transmission, the break character is not transmitted. For two consecutive breaks, the SBK bit should be set after the stop bit of the previous break.

Idle characters

Setting the TE bit drives the USART to send an idle frame before the first data frame.

24.3.3 Receiver

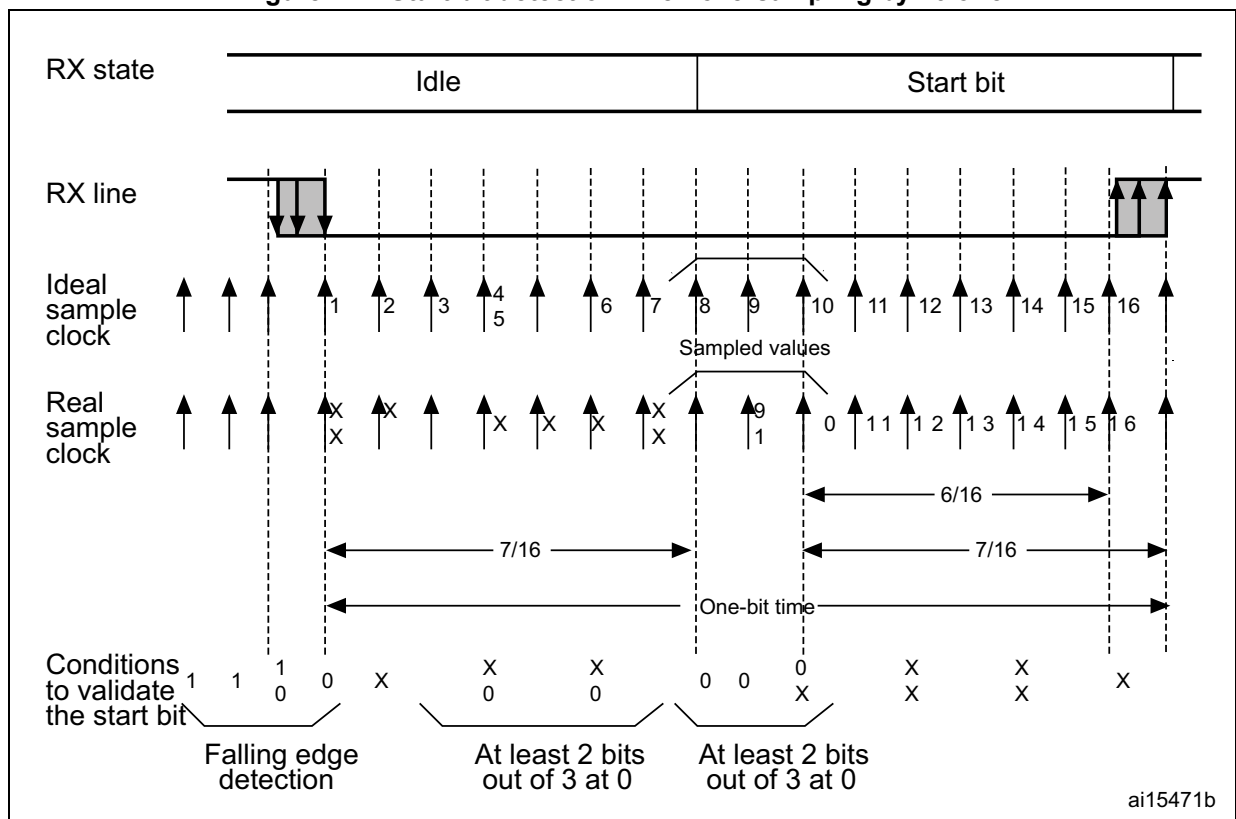
The USART can receive data words of either 8 or 9 bits depending on the M bit in the USART_CR1 register.

Start bit detection

The start bit detection sequence is the same when oversampling by 16 or by 8.

In the USART, the start bit is detected when a specific sequence of samples is recognized. This sequence is: 1 1 1 0 X 0 X 0 X 0 0 0.

Figure 227. Start bit detection when oversampling by 16 or 8



Note: If the sequence is not complete, the start bit detection aborts and the receiver returns to the idle state (no flag is set), where it waits for a falling edge.

The start bit is confirmed (RXNE flag set, interrupt generated if RXNEIE=1) if the three sampled bits are at 0 (first sampling on the third, fifth and seventh bit finds the three bits at 0 and second sampling on the eighth, ninth and tenth bit also finds the three bits at 0).

The start bit is validated (RXNE flag set, interrupt generated if RXNEIE=1) but the NE noise flag is set if, for both samplings, at least two out of the three sampled bits are at 0 (sampling on the third, fifth and seventh bit and sampling on the eighth, ninth and tenth bit). If this

condition is not met, the start detection aborts and the receiver returns to the idle state (no flag is set).

If, for one of the samplings (on the third, fifth and seventh bit, or on the eighth, ninth and tenth bit), two out of the three bits are found at 0, the start bit is validated but the NE noise flag bit is set.

Character reception

During an USART reception, data shifts in least significant bit first through the RX pin. In this mode, the USART_DR register consists of a buffer (RDR) between the internal bus and the received shift register.

Procedure:

1. Enable the USART by writing the UE bit in USART_CR1 register to 1.
2. Program the M bit in USART_CR1 to define the word length.
3. Program the number of stop bits in USART_CR2.
4. Select DMA enable (DMAR) in USART_CR3 if multibuffer communication is to take place. Configure the DMA register as explained in multibuffer communication. STEP 3
5. Select the desired baud rate using the baud rate register USART_BRR
6. Set the RE bit USART_CR1. This enables the receiver which begins searching for a start bit.

When a character is received

- The RXNE bit is set. It indicates that the content of the shift register is transferred to the RDR. In other words, data has been received and can be read (as well as its associated error flags).
- An interrupt is generated if the RXNEIE bit is set.
- The error flags can be set if a frame error, noise or an overrun error has been detected during reception.
- In multibuffer, RXNE is set after every byte received and is cleared by the DMA read to the Data Register.
- In single buffer mode, clearing the RXNE bit is performed by a software read to the USART_DR register. The RXNE flag can also be cleared by writing a zero to it. The RXNE bit must be cleared before the end of the reception of the next character to avoid an overrun error.

Note: The RE bit should not be reset while receiving data. If the RE bit is disabled during reception, the reception of the current byte is aborted.

Break character

When a break character is received, the USART handles it as a framing error.

Idle character

When an idle frame is detected, there is the same procedure as a data received character plus an interrupt if the IDLEIE bit is set.

Overrun error

An overrun error occurs when a character is received when RXNE has not been reset. Data can not be transferred from the shift register to the RDR register until the RXNE bit is cleared.

The RXNE flag is set after every byte received. An overrun error occurs if RXNE flag is set when the next data is received or the previous DMA request has not been serviced. When an overrun error occurs:

- The ORE bit is set.
- The RDR content is not lost. The previous data is available when a read to USART_DR is performed.
- The shift register is overwritten. After that point, any data received during overrun is lost.
- An interrupt is generated if either the RXNEIE bit is set or both the EIE and DMAR bits are set.
- The ORE bit is reset by a read to the USART_SR register followed by a USART_DR register read operation.

Note: The ORE bit, when set, indicates that at least 1 data has been lost. There are two possibilities:

- if RXNE=1, then the last valid data is stored in the receive register RDR and can be read,
- if RXNE=0, then it means that the last valid data has already been read and thus there is nothing to be read in the RDR. This case can occur when the last valid data is read in the RDR at the same time as the new (and lost) data is received. It may also occur when the new data is received during the reading sequence (between the USART_SR register read access and the USART_DR read access).

Selecting the proper oversampling method

The receiver implements different user-configurable oversampling techniques (except in synchronous mode) for data recovery by discriminating between valid incoming data and noise.

The oversampling method can be selected by programming the OVER8 bit in the USART_CR1 register and can be either 16 or 8 times the baud rate clock ([Figure 228](#) and [Figure 229](#)).

Depending on the application:

- select oversampling by 8 (OVER8=1) to achieve higher speed (up to $f_{PCLK}/8$). In this case the maximum receiver tolerance to clock deviation is reduced (refer to [Section 24.3.5: USART receiver tolerance to clock deviation on page 641](#))
- select oversampling by 16 (OVER8=0) to increase the tolerance of the receiver to clock deviations. In this case, the maximum speed is limited to maximum $f_{PCLK}/16$

Programming the ONEBIT bit in the USART_CR3 register selects the method used to evaluate the logic level. There are two options:

- the majority vote of the three samples in the center of the received bit. In this case, when the 3 samples used for the majority vote are not equal, the NF bit is set
- a single sample in the center of the received bit

Depending on the application:

- select the three samples' majority vote method (ONEBIT=0) when operating in a noisy environment and reject the data when a noise is detected (refer to [Figure 84](#)) because this indicates that a glitch occurred during the sampling.
- select the single sample method (ONEBIT=1) when the line is noise-free to increase the receiver's tolerance to clock deviations (see [Section 24.3.5: USART receiver tolerance to clock deviation on page 641](#)). In this case the NF bit is never set.

When noise is detected in a frame:

- The NF bit is set at the rising edge of the RXNE bit.
- The invalid data is transferred from the Shift register to the USART_DR register.
- No interrupt is generated in case of single byte communication. However this bit rises at the same time as the RXNE bit which itself generates an interrupt. In case of multibuffer communication an interrupt is issued if the EIE bit is set in the USART_CR3 register.

The NF bit is reset by a USART_SR register read operation followed by a USART_DR register read operation.

Note: Oversampling by 8 is not available in the Smartcard, IrDA and LIN modes. In those modes, the OVER8 bit is forced to '0 by hardware.

Figure 228. Data sampling when oversampling by 16

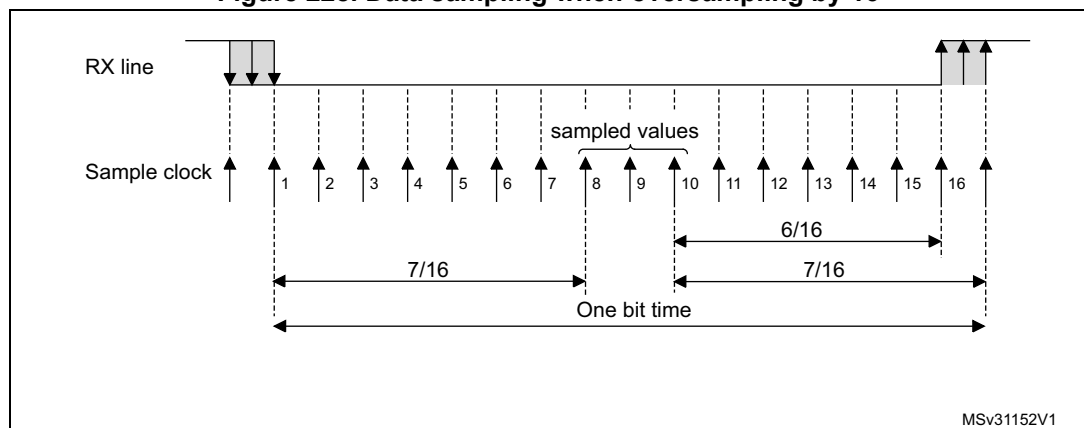


Figure 229. Data sampling when oversampling by 8

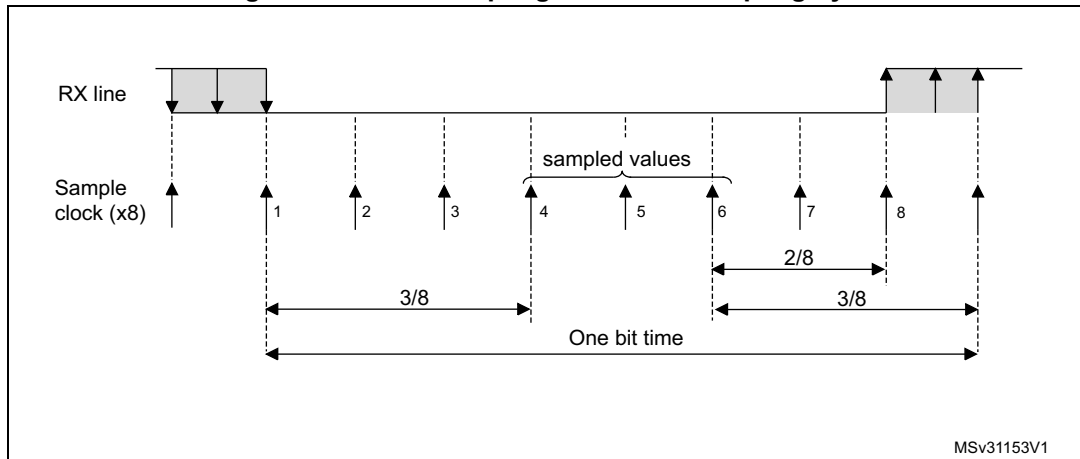


Table 84. Noise detection from sampled data

Sampled value	NE status	Received bit value
000	0	0
001	1	0
010	1	0
011	1	1
100	1	0
101	1	1
110	1	1
111	0	1

Framing error

A framing error is detected when:

The stop bit is not recognized on reception at the expected time, following either a de-synchronization or excessive noise.

When the framing error is detected:

- The FE bit is set by hardware
- The invalid data is transferred from the Shift register to the USART_DR register.
- No interrupt is generated in case of single byte communication. However this bit rises at the same time as the RXNE bit which itself generates an interrupt. In case of multibuffer communication an interrupt is issued if the EIE bit is set in the USART_CR3 register.

The FE bit is reset by a USART_SR register read operation followed by a USART_DR register read operation.

Configurable stop bits during reception

The number of stop bits to be received can be configured through the control bits of Control Register 2 - it can be either 1 or 2 in normal mode and 0.5 or 1.5 in Smartcard mode.

1. **0.5 stop bit (reception in Smartcard mode):** No sampling is done for 0.5 stop bit. As a consequence, no framing error and no break frame can be detected when 0.5 stop bit is selected.
2. **1 stop bit:** Sampling for 1 stop Bit is done on the 8th, 9th and 10th samples.
3. **1.5 stop bits (Smartcard mode):** When transmitting in smartcard mode, the device must check that the data is correctly sent. Thus the receiver block must be enabled (RE =1 in the USART_CR1 register) and the stop bit is checked to test if the smartcard has detected a parity error. In the event of a parity error, the smartcard forces the data signal low during the sampling - NACK signal-, which is flagged as a framing error. Then, the FE flag is set with the RXNE at the end of the 1.5 stop bit. Sampling for 1.5 stop bits is done on the 16th, 17th and 18th samples (1 baud clock period after the beginning of the stop bit). The 1.5 stop bit can be decomposed into 2 parts: one 0.5 baud clock period during which nothing happens, followed by 1 normal stop bit period during which sampling occurs halfway through. Refer to [Section 24.3.11: Smartcard on page 650](#) for more details.
4. **2 stop bits:** Sampling for 2 stop bits is done on the 8th, 9th and 10th samples of the first stop bit. If a framing error is detected during the first stop bit the framing error flag is set. The second stop bit is not checked for framing error. The RXNE flag is set at the end of the first stop bit.

24.3.4 Fractional baud rate generation

The baud rate for the receiver and transmitter (Rx and Tx) are both set to the same value as programmed in the Mantissa and Fraction values of USARTDIV.

Equation 1: Baud rate for standard USART (SPI mode included)

$$\text{Tx/Rx baud} = \frac{f_{\text{CK}}}{8 \times (2 - \text{OVER8}) \times \text{USARTDIV}}$$

Equation 2: Baud rate in Smartcard, LIN and IrDA modes

$$\text{Tx/Rx baud} = \frac{f_{\text{CK}}}{16 \times \text{USARTDIV}}$$

USARTDIV is an unsigned fixed point number that is coded on the USART_BRR register.

- When OVER8=0, the fractional part is coded on 4 bits and programmed by the DIV_fraction[3:0] bits in the USART_BRR register
- When OVER8=1, the fractional part is coded on 3 bits and programmed by the DIV_fraction[2:0] bits in the USART_BRR register, and bit DIV_fraction[3] must be kept cleared.

Note: The baud counters are updated to the new value in the baud registers after a write operation to USART_BRR. Hence the baud rate register value should not be changed during communication.

How to derive USARTDIV from USART_BRR register values when OVER8=0**Example 1:**

If DIV_Mantissa = 0d27 and DIV_Fraction = 0d12 (USART_BRR = 0x1BC), then

Mantissa (USARTDIV) = 0d27

Fraction (USARTDIV) = $12/16 = 0d0.75$

Therefore USARTDIV = 0d27.75

Example 2:

To program USARTDIV = 0d25.62

This leads to:

$DIV_Fraction = 16 * 0d0.62 = 0d9.92$

The nearest real number is 0d10 = 0xA

$DIV_Mantissa = \text{mantissa}(0d25.620) = 0d25 = 0x19$

Then, USART_BRR = 0x19A hence USARTDIV = 0d25.625

Example 3:

To program USARTDIV = 0d50.99

This leads to:

$DIV_Fraction = 16 * 0d0.99 = 0d15.84$

The nearest real number is 0d16 = 0x10 => overflow of DIV_frac[3:0] => carry must be added up to the mantissa

$DIV_Mantissa = \text{mantissa}(0d50.990 + \text{carry}) = 0d51 = 0x33$

Then, USART_BRR = 0x330 hence USARTDIV = 0d51.000

How to derive USARTDIV from USART_BRR register values when OVER8=1**Example 1:**

If DIV_Mantissa = 0x27 and DIV_Fraction[2:0] = 0d6 (USART_BRR = 0x1B6), then

Mantissa (USARTDIV) = 0d27

Fraction (USARTDIV) = $6/8 = 0d0.75$

Therefore USARTDIV = 0d27.75

Example 2:

To program USARTDIV = 0d25.62

This leads to:

$DIV_Fraction = 8 * 0d0.62 = 0d4.96$

The nearest real number is 0d5 = 0x5

$DIV_Mantissa = \text{mantissa}(0d25.620) = 0d25 = 0x19$

Then, USART_BRR = 0x195 => USARTDIV = 0d25.625

Example 3:

To program USARTDIV = 0d50.99

This leads to:

DIV_Fraction = 8*0d0.99 = 0d7.92

The nearest real number is 0d8 = 0x8 => overflow of the DIV_frac[2:0] => carry must be added up to the mantissa

DIV_Mantissa = mantissa (0d50.990 + carry) = 0d51 = 0x33

Then, USART_BRR = 0x0330 => USARTDIV = 0d51.000

Table 85. Error calculation for programmed baud rates at f_{PCLK} = 8 MHz or f_{PCLK} = 12 MHz, oversampling by 16⁽¹⁾

Oversampling by 16 (OVER8=0)							
Baud rate ⁷		f _{PCLK} = 8 MHz			f _{PCLK} = 12 MHz		
S.No	Desired	Actual	Value programmed in the baud rate register	% Error = (Calculated - Desired) B.rate / Desired B.rate	Actual	Value programmed in the baud rate register	% Error
1	1.2 Kbps	1.2 Kbps	416.6875	0	1.2 Kbps	625	0
2	2.4 Kbps	2.4 Kbps	208.3125	0.01	2.4 Kbps	312.5	0
3	9.6 Kbps	9.604 Kbps	52.0625	0.04	9.6 Kbps	78.125	0
4	19.2 Kbps	19.185 Kbps	26.0625	0.08	19.2 Kbps	39.0625	0
5	38.4 Kbps	38.462 Kbps	13	0.16	38.339 Kbps	19.5625	0.16
6	57.6 Kbps	57.554 Kbps	8.6875	0.08	57.692 Kbps	13	0.16
7	115.2 Kbps	115.942 Kbps	4.3125	0.64	115.385 Kbps	6.5	0.16
8	230.4 Kbps	228.571 Kbps	2.1875	0.79	230.769 Kbps	3.25	0.16
9	460.8 Kbps	470.588 Kbps	1.0625	2.12	461.538 Kbps	1.625	0.16
10	921.6 Kbps	NA	NA	NA	NA	NA	NA
11	2 MBps	NA	NA	NA	NA	NA	NA
12	3 MBps	NA	NA	NA	NA	NA	NA

1. The lower the CPU clock the lower the accuracy for a particular baud rate. The upper limit of the achievable baud rate can be fixed with these data.

Table 86. Error calculation for programmed baud rates at $f_{PCLK} = 8\text{ MHz}$ or $f_{PCLK} = 12\text{ MHz}$, oversampling by 8⁽¹⁾

Oversampling by 8 (OVER8 = 1)							
Baud rate		$f_{PCLK} = 8\text{ MHz}$			$f_{PCLK} = 12\text{ MHz}$		
S.No	Desired	Actual	Value programmed in the baud rate register	% Error = (Calculated - Desired) B.rate / Desired B.rate	Actual	Value programmed in the baud rate register	% Error
1	1.2 KBps	1.2 KBps	833.375	0	1.2 KBps	1250	0
2	2.4 KBps	2.4 KBps	416.625	0.01	2.4 KBps	625	0
3	9.6 KBps	9.604 KBps	104.125	0.04	9.6 KBps	156.25	0
4	19.2 KBps	19.185 KBps	52.125	0.08	19.2 KBps	78.125	0
5	38.4 KBps	38.462 KBps	26	0.16	38.339 KBps	39.125	0.16
6	57.6 KBps	57.554 KBps	17.375	0.08	57.692 KBps	26	0.16
7	115.2 KBps	115.942 KBps	8.625	0.64	115.385 KBps	13	0.16
8	230.4 KBps	228.571 KBps	4.375	0.79	230.769 KBps	6.5	0.16
9	460.8 KBps	470.588 KBps	2.125	2.12	461.538 KBps	3.25	0.16
10	921.6 KBps	888.889 KBps	1.125	3.55	923.077 KBps	1.625	0.16
11	2 MBps	NA	NA	NA	NA	NA	NA
12	3 MBps	NA	NA	NA	NA	NA	NA

1. The lower the CPU clock the lower the accuracy for a particular baud rate. The upper limit of the achievable baud rate can be fixed with these data.

Table 87. Error calculation for programmed baud rates at $f_{PCLK} = 16\text{ MHz}$ or $f_{PCLK} = 24\text{ MHz}$, oversampling by 16⁽¹⁾

Oversampling by 16 (OVER8 = 0)							
Baud rate		$f_{PCLK} = 16\text{ MHz}$			$f_{PCLK} = 24\text{ MHz}$		
S.No	Desired	Actual	Value programmed in the baud rate register	% Error = (Calculated - Desired) B.rate / Desired B.rate	Actual	Value programmed in the baud rate register	% Error
1	1.2 KBps	1.2 KBps	833.3125	0	1.2	1250	0
2	2.4 KBps	2.4 KBps	416.6875	0	2.4	625	0
3	9.6 KBps	9.598 KBps	104.1875	0.02	9.6	156.25	0
4	19.2 KBps	19.208 KBps	52.0625	0.04	19.2	78.125	0
5	38.4 KBps	38.369 KBps	26.0625	0.08	38.4	39.0625	0
6	57.6 KBps	57.554 KBps	17.375	0.08	57.554	26.0625	0.08

Table 87. Error calculation for programmed baud rates at $f_{PCLK} = 16$ MHz or $f_{PCLK} = 24$ MHz, oversampling by 16⁽¹⁾ (continued)

Oversampling by 16 (OVER8 = 0)							
Baud rate		$f_{PCLK} = 16$ MHz			$f_{PCLK} = 24$ MHz		
S.No	Desired	Actual	Value programmed in the baud rate register	% Error = (Calculated - Desired) B.rate / Desired B.rate	Actual	Value programmed in the baud rate register	% Error
7	115.2 KBps	115.108 KBps	8.6875	0.08	115.385	13	0.16
8	230.4 KBps	231.884 KBps	4.3125	0.64	230.769	6.5	0.16
9	460.8 KBps	457.143 KBps	2.1875	0.79	461.538	3.25	0.16
10	921.6 KBps	941.176 KBps	1.0625	2.12	923.077	1.625	0.16
11	2 MBps	NA	NA	NA	NA	NA	NA
12	3 MBps	NA	NA	NA	NA	NA	NA

1. The lower the CPU clock the lower the accuracy for a particular baud rate. The upper limit of the achievable baud rate can be fixed with these data.

Table 88. Error calculation for programmed baud rates at $f_{PCLK} = 16$ MHz or $f_{PCLK} = 24$ MHz, oversampling by 8⁽¹⁾

Oversampling by 8 (OVER8=1)							
Baud rate		$f_{PCLK} = 16$ MHz			$f_{PCLK} = 24$ MHz		
S.No	Desired	Actual	Value programmed in the baud rate register	% Error = (Calculated - Desired) B.rate / Desired B.rate	Actual	Value programmed in the baud rate register	% Error
1	1.2 KBps	1.2 KBps	1666.625	0	1.2 KBps	2500	0
2	2.4 KBps	2.4 KBps	833.375	0	2.4 KBps	1250	0
3	9.6 KBps	9.598 KBps	208.375	0.02	9.6 KBps	312.5	0
4	19.2 KBps	19.208 KBps	104.125	0.04	19.2 KBps	156.25	0
5	38.4 KBps	38.369 KBps	52.125	0.08	38.4 KBps	78.125	0
6	57.6 KBps	57.554 KBps	34.75	0.08	57.554 KBps	52.125	0.08
7	115.2 KBps	115.108 KBps	17.375	0.08	115.385 KBps	26	0.16
8	230.4 KBps	231.884 KBps	8.625	0.64	230.769 KBps	13	0.16
9	460.8 KBps	457.143 KBps	4.375	0.79	461.538 KBps	6.5	0.16
10	921.6 KBps	941.176 KBps	2.125	2.12	923.077 KBps	3.25	0.16
11	2 MBps	2000 KBps	1	0	2000 KBps	1.5	0
12	3 MBps	NA	NA	NA	3000 KBps	1	0

1. The lower the CPU clock the lower the accuracy for a particular baud rate. The upper limit of the achievable baud rate can be fixed with these data.

Table 89. Error calculation for programmed baud rates at $f_{PCLK} = 8\text{ MHz}$ or $f_{PCLK} = 16\text{ MHz}$, oversampling by $16^{(1)}$

Oversampling by 16 (OVER8=0)							
Baud rate		$f_{PCLK} = 8\text{ MHz}$			$f_{PCLK} = 16\text{ MHz}$		
S.No	Desired	Actual	Value programmed in the baud rate register	% Error = (Calculated - Desired)B.Rate /Desired B.Rate	Actual	Value programmed in the baud rate register	% Error
1.	2.4 KBps	2.400 KBps	208.3125	0.00%	2.400 KBps	416.6875	0.00%
2.	9.6 KBps	9.604 KBps	52.0625	0.04%	9.598 KBps	104.1875	0.02%
3.	19.2 KBps	19.185 KBps	26.0625	0.08%	19.208 KBps	52.0625	0.04%
4.	57.6 KBps	57.554 KBps	8.6875	0.08%	57.554 KBps	17.3750	0.08%
5.	115.2 KBps	115.942 KBps	4.3125	0.64%	115.108 KBps	8.6875	0.08%
6.	230.4 KBps	228.571 KBps	2.1875	0.79%	231.884 KBps	4.3125	0.64%
7.	460.8 KBps	470.588 KBps	1.0625	2.12%	457.143 KBps	2.1875	0.79%
8.	896 KBps	NA	NA	NA	888.889 KBps	1.1250	0.79%
9.	921.6 KBps	NA	NA	NA	941.176 KBps	1.0625	2.12%
10.	1.792 MBps	NA	NA	NA	NA	NA	NA
11.	1.8432 MBps	NA	NA	NA	NA	NA	NA
12.	3.584 MBps	NA	NA	NA	NA	NA	NA
13.	3.6864 MBps	NA	NA	NA	NA	NA	NA
14.	7.168 MBps	NA	NA	NA	NA	NA	NA
15.	7.3728 MBps	NA	NA	NA	NA	NA	NA

1. The lower the CPU clock the lower the accuracy for a particular baud rate. The upper limit of the achievable baud rate can be fixed with these data.

Table 90. Error calculation for programmed baud rates at $f_{PCLK} = 8\text{ MHz}$ or $f_{PCLK} = 16\text{ MHz}$, oversampling by $8^{(1)}$

Oversampling by 8 (OVER8=1)							
Baud rate		$f_{PCLK} = 8\text{ MHz}$			$f_{PCLK} = 16\text{ MHz}$		
S.No	Desired	Actual	Value programmed in the baud rate register	% Error = (Calculated - Desired)B.Rate /Desired B.Rate	Actual	Value programmed in the baud rate register	% Error
1.	2.4 KBps	2.400 KBps	416.625	0.01%	2.400 KBps	833.375	0.00%
2.	9.6 KBps	9.604 KBps	104.125	0.04%	9.598 KBps	208.375	0.02%
3.	19.2 KBps	19.185 KBps	52.125	0.08%	19.208 KBps	104.125	0.04%



Table 90. Error calculation for programmed baud rates at $f_{PCLK} = 8\text{ MHz}$ or $f_{PCLK} = 16\text{ MHz}$, oversampling by $8^{(1)}$ (continued)

Oversampling by 8 (OVER8=1)							
Baud rate		$f_{PCLK} = 8\text{ MHz}$			$f_{PCLK} = 16\text{ MHz}$		
S.No	Desired	Actual	Value programmed in the baud rate register	% Error = (Calculated - Desired)B.Rate /Desired B.Rate	Actual	Value programmed in the baud rate register	% Error
4.	57.6 KBps	57.557 KBps	17.375	0.08%	57.554 KBps	34.750	0.08%
5.	115.2 KBps	115.942 KBps	8.625	0.64%	115.108 KBps	17.375	0.08%
6.	230.4 KBps	228.571 KBps	4.375	0.79%	231.884 KBps	8.625	0.64%
7.	460.8 KBps	470.588 KBps	2.125	2.12%	457.143 KBps	4.375	0.79%
8.	896 KBps	888.889 KBps	1.125	0.79%	888.889 KBps	2.250	0.79%
9.	921.6 KBps	888.889 KBps	1.125	3.55%	941.176 KBps	2.125	2.12%
10.	1.792 MBps	NA	NA	NA	1.7777 MBps	1.125	0.79%
11.	1.8432 MBps	NA	NA	NA	1.7777 MBps	1.125	3.55%
12.	3.584 MBps	NA	NA	NA	NA	NA	NA
13.	3.6864 MBps	NA	NA	NA	NA	NA	NA
14.	7.168 MBps	NA	NA	NA	NA	NA	NA
15.	7.3728 MBps	NA	NA	NA	NA	NA	NA

1. The lower the CPU clock the lower the accuracy for a particular baud rate. The upper limit of the achievable baud rate can be fixed with these data.

Table 91. Error calculation for programmed baud rates at $f_{PCLK} = 30\text{ MHz}$ or $f_{PCLK} = 60\text{ MHz}$, oversampling by $16^{(1)(2)(3)}$

Oversampling by 16 (OVER8=0)							
Baud rate		$f_{PCLK} = 30\text{ MHz}$			$f_{PCLK} = 60\text{ MHz}$		
S.No	Desired	Actual	Value programmed in the baud rate register	% Error = (Calculated - Desired)B.Rate /Desired B.Rate	Actual	Value programmed in the baud rate register	% Error
1.	2.4 KBps	2.400 KBps	781.2500	0.00%	2.400 KBps	1562.5000	0.00%
2.	9.6 KBps	9.600 KBps	195.3125	0.00%	9.600 KBps	390.6250	0.00%
3.	19.2 KBps	19.194 KBps	97.6875	0.03%	19.200 KBps	195.3125	0.00%
4.	57.6 KBps	57.582KBps	32.5625	0.03%	57.582 KBps	65.1250	0.03%
5.	115.2 KBps	115.385 KBps	16.2500	0.16%	115.163 KBps	32.5625	0.03%
6.	230.4 KBps	230.769 KBps	8.1250	0.16%	230.769KBps	16.2500	0.16%
7.	460.8 KBps	461.538 KBps	4.0625	0.16%	461.538 KBps	8.1250	0.16%
8.	896 KBps	909.091 KBps	2.0625	1.46%	895.522 KBps	4.1875	0.05%

Table 91. Error calculation for programmed baud rates at $f_{PCLK} = 30$ MHz or $f_{PCLK} = 60$ MHz, oversampling by $16^{(1)(2)(3)}$ (continued)

Oversampling by 16 (OVER8=0)							
Baud rate		$f_{PCLK} = 30$ MHz			$f_{PCLK} = 60$ MHz		
S.No	Desired	Actual	Value programmed in the baud rate register	% Error = (Calculated - Desired)B.Rate /Desired B.Rate	Actual	Value programmed in the baud rate register	% Error
9.	921.6 Kbps	909.091 Kbps	2.0625	1.36%	923.077 Kbps	4.0625	0.16%
10.	1.792 MBps	1.1764 MBps	1.0625	1.52%	1.8182 MBps	2.0625	1.36%
11.	1.8432 MBps	1.8750 MBps	1.0000	1.73%	1.8182 MBps	2.0625	1.52%
12.	3.584 MBps	NA	NA	NA	3.2594 MBps	1.0625	1.52%
13.	3.6864 MBps	NA	NA	NA	3.7500 MBps	1.0000	1.73%
14.	7.168 MBps	NA	NA	NA	NA	NA	NA
15.	7.3728 MBps	NA	NA	NA	NA	NA	NA

1. The lower the CPU clock the lower the accuracy for a particular baud rate. The upper limit of the achievable baud rate can be fixed with these data.
2. Only USART1 and USART6 are clocked with PCLK2 (60 MHz Max). Other USARTs are clocked with PCLK1 (30 MHz Max).
3. Only USART1 and USART6 are clocked with PCLK2. Other USARTs are clocked with PCLK1. Refer to the device datasheets for the maximum values for PCLK1 and PCLK2.

Table 92. Error calculation for programmed baud rates at $f_{PCLK} = 30$ MHz or $f_{PCLK} = 60$ MHz, oversampling by $8^{(1)(2)(3)}$

Oversampling by 8 (OVER8=1)							
Baud rate		$f_{PCLK} = 30$ MHz			$f_{PCLK} = 60$ MHz		
S.No	Desired	Actual	Value programmed in the baud rate register	% Error = (Calculated - Desired)B.Rate /Desired B.Rate	Actual	Value programmed in the baud rate register	% Error
1.	2.4 Kbps	2.400 Kbps	1562.5000	0.00%	2.400 Kbps	3125.0000	0.00%
2.	9.6 Kbps	9.600 Kbps	390.6250	0.00%	9.600 Kbps	781.2500	0.00%
3.	19.2 Kbps	19.194 Kbps	195.3750	0.03%	19.200 Kbps	390.6250	0.00%
4.	57.6 Kbps	57.582 Kbps	65.1250	0.16%	57.582 Kbps	130.2500	0.03%
5.	115.2 Kbps	115.385 Kbps	32.5000	0.16%	115.163 Kbps	65.1250	0.03%
6.	230.4 Kbps	230.769 Kbps	16.2500	0.16%	230.769 Kbps	32.5000	0.16%
7.	460.8 Kbps	461.538 Kbps	8.1250	0.16%	461.538 Kbps	16.2500	0.16%
8.	896 Kbps	909.091 Kbps	4.1250	1.46%	895.522 Kbps	8.3750	0.05%
9.	921.6 Kbps	909.091 Kbps	4.1250	1.36%	923.077 Kbps	8.1250	0.16%

Table 92. Error calculation for programmed baud rates at $f_{PCLK} = 30$ MHz or $f_{PCLK} = 60$ MHz, oversampling by 8⁽¹⁾ ⁽²⁾⁽³⁾ (continued)

Oversampling by 8 (OVER8=1)							
Baud rate		$f_{PCLK} = 30$ MHz			$f_{PCLK} = 60$ MHz		
S.No	Desired	Actual	Value programmed in the baud rate register	% Error = (Calculated - Desired)B.Rate /Desired B.Rate	Actual	Value programmed in the baud rate register	% Error
10.	1.792 MBps	1.7647 MBps	2.1250	1.52%	1.8182 MBps	4.1250	1.46%
11.	1.8432 MBps	1.8750 MBps	2.0000	1.73%	1.8182 MBps	4.1250	1.36%
12.	3.584 MBps	3.7500 MBps	1.0000	4.63%	3.5294 MBps	2.1250	1.52%
13.	3.6864 MBps	3.7500 MBps	1.0000	1.73%	3.7500 MBps	2.0000	1.73%
14.	7.168 MBps	NA	NA	NA	7.5000 MBps	1.0000	4.63%
15.	7.3728 MBps	NA	NA	NA	7.5000 MBps	1.0000	1.73%

1. The lower the CPU clock the lower the accuracy for a particular baud rate. The upper limit of the achievable baud rate can be fixed with these data.
2. Only USART1 and USART6 are clocked with PCLK2 (60 MHz Max). Other USARTs are clocked with PCLK1 (30 MHz Max).
3. Only USART1 and USART6 are clocked with PCLK2. Other USARTs are clocked with PCLK1. Refer to the device datasheets for the maximum values for PCLK1 and PCLK2.

24.3.5 USART receiver tolerance to clock deviation

The USART asynchronous receiver works correctly only if the total clock system deviation is smaller than the USART receiver’s tolerance. The causes which contribute to the total deviation are:

- DTRA: Deviation due to the transmitter error (which also includes the deviation of the transmitter’s local oscillator)
- DQUANT: Error due to the baud rate quantization of the receiver
- DREC: Deviation of the receiver’s local oscillator
- DTCL: Deviation due to the transmission line (generally due to the transceivers which can introduce an asymmetry between the low-to-high transition timing and the high-to-low transition timing)

$$DTRA + DQUANT + DREC + DTCL < \text{USART receiver’s tolerance}$$

The USART receiver’s tolerance to properly receive data is equal to the maximum tolerated deviation and depends on the following choices:

- 10- or 11-bit character length defined by the M bit in the USART_CR1 register
- oversampling by 8 or 16 defined by the OVER8 bit in the USART_CR1 register
- use of fractional baud rate or not
- use of 1 bit or 3 bits to sample the data, depending on the value of the ONEBIT bit in the USART_CR3 register

Table 93. USART receiver’s tolerance when DIV fraction is 0

M bit	OVER8 bit = 0		OVER8 bit = 1	
	ONEBIT=0	ONEBIT=1	ONEBIT=0	ONEBIT=1
0	3.75%	4.375%	2.50%	3.75%
1	3.41%	3.97%	2.27%	3.41%

Table 94. USART receiver tolerance when DIV_Fraction is different from 0

M bit	OVER8 bit = 0		OVER8 bit = 1	
	ONEBIT=0	ONEBIT=1	ONEBIT=0	ONEBIT=1
0	3.33%	3.88%	2%	3%
1	3.03%	3.53%	1.82%	2.73%

Note: The figures specified in [Table 93](#) and [Table 94](#) may slightly differ in the special case when the received frames contain some Idle frames of exactly 10-bit times when M=0 (11-bit times when M=1).

24.3.6 Multiprocessor communication

There is a possibility of performing multiprocessor communication with the USART (several USARTs connected in a network). For instance one of the USARTs can be the master, its TX output is connected to the RX input of the other USART. The others are slaves, their respective TX outputs are logically ANDed together and connected to the RX input of the master.

In multiprocessor configurations it is often desirable that only the intended message recipient should actively receive the full message contents, thus reducing redundant USART service overhead for all non addressed receivers.

The non addressed devices may be placed in mute mode by means of the muting function. In mute mode:

- None of the reception status bits can be set.
- All the receive interrupts are inhibited.
- The RWU bit in USART_CR1 register is set to 1. RWU can be controlled automatically by hardware or written by the software under certain conditions.

The USART can enter or exit from mute mode using one of two methods, depending on the WAKE bit in the USART_CR1 register:

- Idle Line detection if the WAKE bit is reset,
- Address Mark detection if the WAKE bit is set.

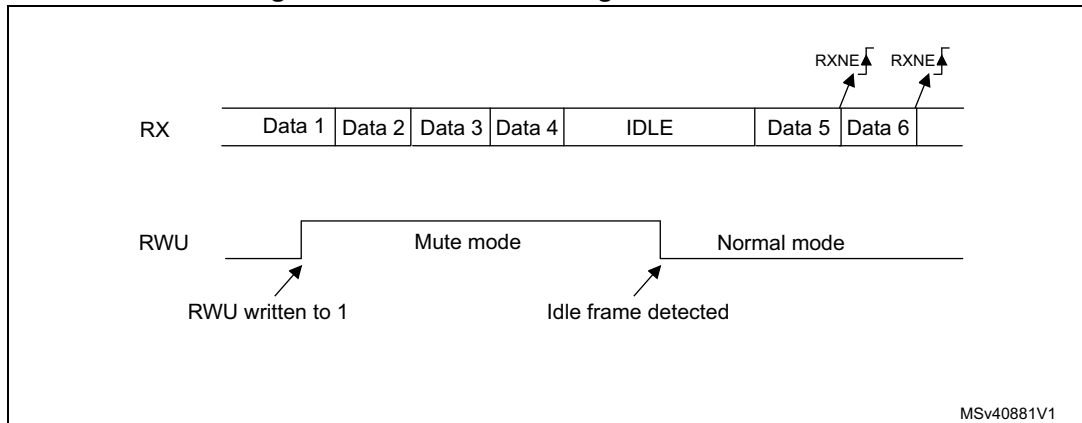
Idle line detection (WAKE=0)

The USART enters mute mode when the RWU bit is written to 1.

It wakes up when an Idle frame is detected. Then the RWU bit is cleared by hardware but the IDLE bit is not set in the USART_SR register. RWU can also be written to 0 by software.

An example of mute mode behavior using Idle line detection is given in [Figure 230](#).

Figure 230. Mute mode using Idle line detection



Address mark detection (WAKE=1)

In this mode, bytes are recognized as addresses if their MSB is a '1' else they are considered as data. In an address byte, the address of the targeted receiver is put on the 4 LSB. This 4-bit word is compared by the receiver with its own address which is programmed in the ADDR bits in the USART_CR2 register.

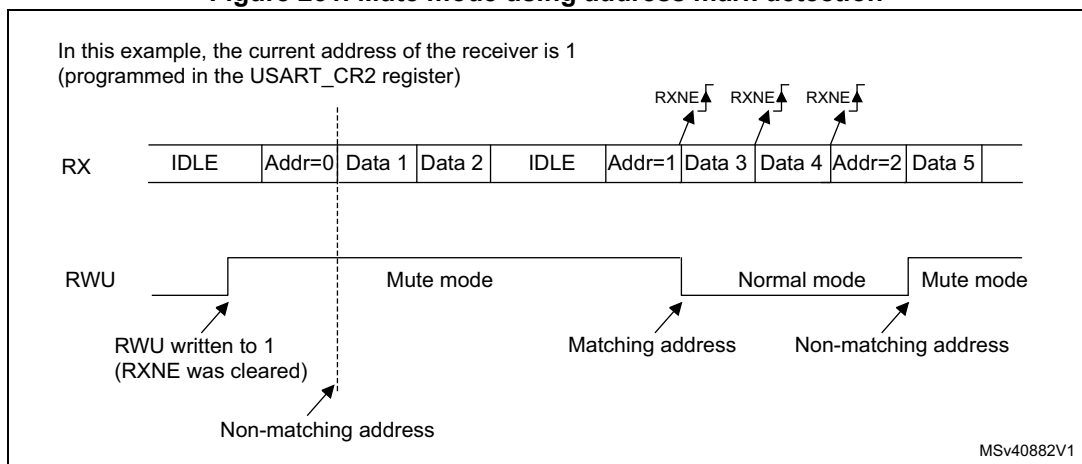
The USART enters mute mode when an address character is received which does not match its programmed address. In this case, the RWU bit is set by hardware. The RXNE flag is not set for this address byte and no interrupt nor DMA request is issued as the USART would have entered mute mode.

It exits from mute mode when an address character is received which matches the programmed address. Then the RWU bit is cleared and subsequent bytes are received normally. The RXNE bit is set for the address character since the RWU bit has been cleared.

The RWU bit can be written to as 0 or 1 when the receiver buffer contains no data (RXNE=0 in the USART_SR register). Otherwise the write attempt is ignored.

An example of mute mode behavior using address mark detection is given in [Figure 231](#).

Figure 231. Mute mode using address mark detection



24.3.7 Parity control

Parity control (generation of parity bit in transmission and parity checking in reception) can be enabled by setting the PCE bit in the USART_CR1 register. Depending on the frame length defined by the M bit, the possible USART frame formats are as listed in [Table 95](#).

Table 95. Frame formats

M bit	PCE bit	USART frame ⁽¹⁾
0	0	SB 8 bit data STB
0	1	SB 7-bit data PB STB
1	0	SB 9-bit data STB
1	1	SB 8-bit data PB STB

1. Legends: SB: start bit, STB: stop bit, PB: parity bit.

Even parity

The parity bit is calculated to obtain an even number of “1s” inside the frame made of the 7 or 8 LSB bits (depending on whether M is equal to 0 or 1) and the parity bit.

E.g.: data=00110101; 4 bits set => parity bit is 0 if even parity is selected (PS bit in USART_CR1 = 0).

Odd parity

The parity bit is calculated to obtain an odd number of “1s” inside the frame made of the 7 or 8 LSB bits (depending on whether M is equal to 0 or 1) and the parity bit.

E.g.: data=00110101; 4 bits set => parity bit is 1 if odd parity is selected (PS bit in USART_CR1 = 1).

Parity checking in reception

If the parity check fails, the PE flag is set in the USART_SR register and an interrupt is generated if PEIE is set in the USART_CR1 register. The PE flag is cleared by a software sequence (a read from the status register followed by a read or write access to the USART_DR data register).

Note: In case of wake-up by an address mark: the MSB bit of the data is taken into account to identify an address but not the parity bit. And the receiver does not check the parity of the address data (PE is not set in case of a parity error).

Parity generation in transmission

If the PCE bit is set in USART_CR1, then the MSB bit of the data written in the data register is transmitted but is changed by the parity bit (even number of “1s” if even parity is selected (PS=0) or an odd number of “1s” if odd parity is selected (PS=1)).

Note: The software routine that manages the transmission can activate the software sequence which clears the PE flag (a read from the status register followed by a read or write access to the data register). When operating in half-duplex mode, depending on the software, this can cause the PE flag to be unexpectedly cleared.

24.3.8 LIN (local interconnection network) mode

The LIN mode is selected by setting the LINEN bit in the USART_CR2 register. In LIN mode, the following bits must be kept cleared:

- STOP[1:0] and CLKEN in the USART_CR2 register
- SCEN, HDSEL and IREN in the USART_CR3 register.

LIN transmission

The same procedure explained in [Section 24.3.2](#) has to be applied for LIN Master transmission than for normal USART transmission with the following differences:

- Clear the M bit to configure 8-bit word length.
- Set the LINEN bit to enter LIN mode. In this case, setting the SBK bit sends 13 '0 bits as a break character. Then a bit of value '1 is sent to allow the next start detection.

LIN reception

A break detection circuit is implemented on the USART interface. The detection is totally independent from the normal USART receiver. A break can be detected whenever it occurs, during Idle state or during a frame.

When the receiver is enabled (RE=1 in USART_CR1), the circuit looks at the RX input for a start signal. The method for detecting start bits is the same when searching break characters or data. After a start bit has been detected, the circuit samples the next bits exactly like for the data (on the 8th, 9th and 10th samples). If 10 (when the LBDL = 0 in USART_CR2) or 11 (when LBDL=1 in USART_CR2) consecutive bits are detected as '0, and are followed by a delimiter character, the LBD flag is set in USART_SR. If the LBDIE bit=1, an interrupt is generated. Before validating the break, the delimiter is checked for as it signifies that the RX line has returned to a high level.

If a '1 is sampled before the 10 or 11 have occurred, the break detection circuit cancels the current detection and searches for a start bit again.

If the LIN mode is disabled (LINEN=0), the receiver continues working as normal USART, without taking into account the break detection.

If the LIN mode is enabled (LINEN=1), as soon as a framing error occurs (stop bit detected at '0, which is the case for any break frame), the receiver stops until the break detection circuit receives either a '1, if the break word was not complete, or a delimiter character if a break has been detected.

The behavior of the break detector state machine and the break flag is shown on the [Figure 232: Break detection in LIN mode \(11-bit break length - LBDL bit is set\) on page 646](#).

Examples of break frames are given on [Figure 233: Break detection in LIN mode vs. Framing error detection on page 647](#).

Figure 232. Break detection in LIN mode (11-bit break length - LBDL bit is set)

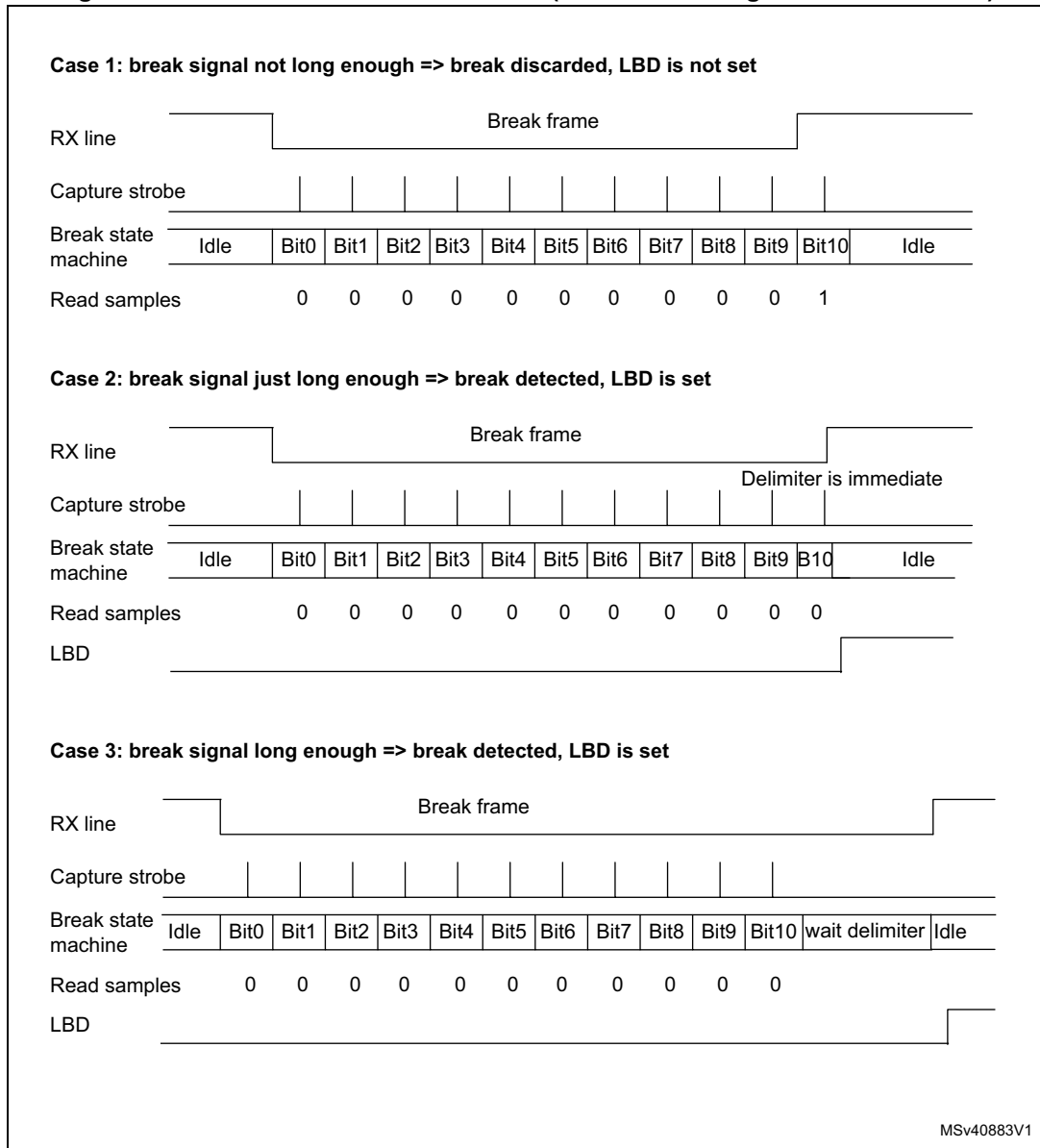
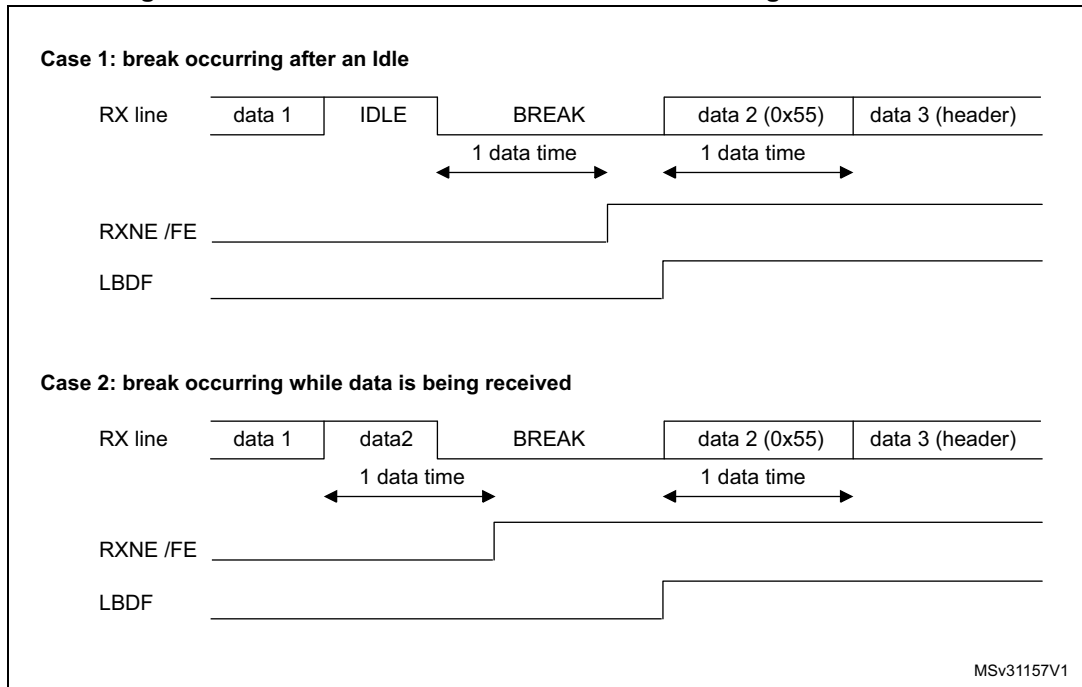


Figure 233. Break detection in LIN mode vs. Framing error detection



24.3.9 USART synchronous mode

The synchronous mode is selected by writing the CLKEN bit in the USART_CR2 register to 1. In synchronous mode, the following bits must be kept cleared:

- LINEN bit in the USART_CR2 register,
- SCEN, HDSEL and IREN bits in the USART_CR3 register.

The USART allows the user to control a bidirectional synchronous serial communications in master mode. The CK pin is the output of the USART transmitter clock. No clock pulses are sent to the CK pin during start bit and stop bit. Depending on the state of the LBCL bit in the USART_CR2 register clock pulses are generated or not during the last valid data bit (address mark). The CPOL bit in the USART_CR2 register allows the user to select the clock polarity, and the CPHA bit in the USART_CR2 register allows the user to select the phase of the external clock (see [Figure 234](#), [Figure 235](#) & [Figure 236](#)).

During the Idle state, preamble and send break, the external CK clock is not activated.

In synchronous mode the USART transmitter works exactly like in asynchronous mode. But as CK is synchronized with TX (according to CPOL and CPHA), the data on TX is synchronous.

In this mode the USART receiver works in a different manner compared to the asynchronous mode. If RE=1, the data is sampled on CK (rising or falling edge, depending on CPOL and CPHA), without any oversampling. A setup and a hold time must be respected (which depends on the baud rate: 1/16 bit time).

Note: The CK pin works in conjunction with the TX pin. Thus, the clock is provided only if the transmitter is enabled (TE=1) and a data is being transmitted (the data register USART_DR

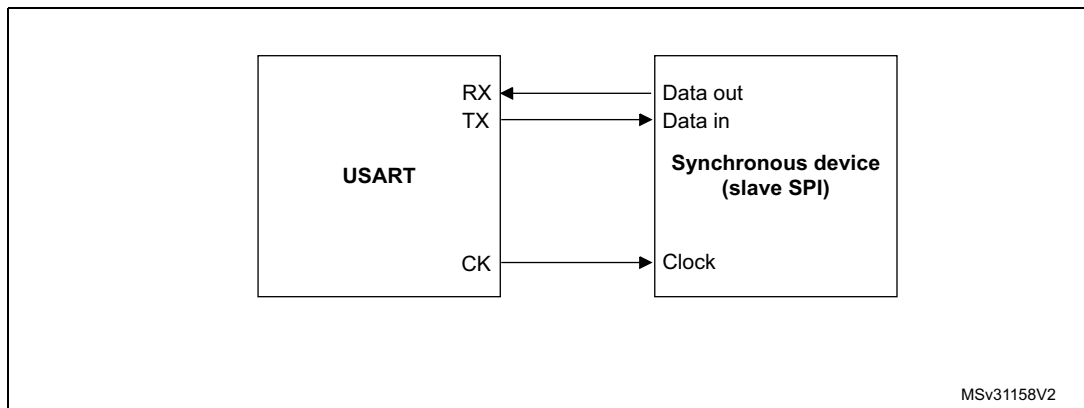
has been written). This means that it is not possible to receive a synchronous data without transmitting data.

The LBCL, CPOL and CPHA bits have to be selected when both the transmitter and the receiver are disabled (TE=RE=0) to ensure that the clock pulses function correctly. These bits should not be changed while the transmitter or the receiver is enabled.

It is advised that TE and RE are set in the same instruction in order to minimize the setup and the hold time of the receiver.

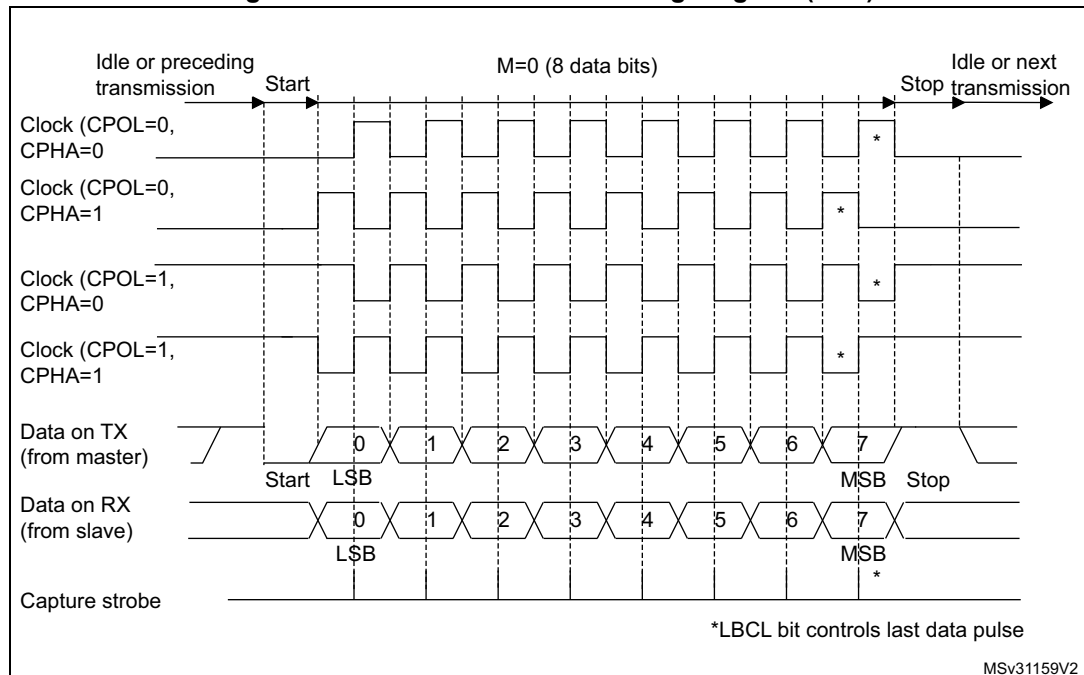
The USART supports master mode only: it cannot receive or send data related to an input clock (CK is always an output).

Figure 234. USART example of synchronous transmission



MSv31158V2

Figure 235. USART data clock timing diagram (M=0)



MSv31159V2

Figure 236. USART data clock timing diagram (M=1)

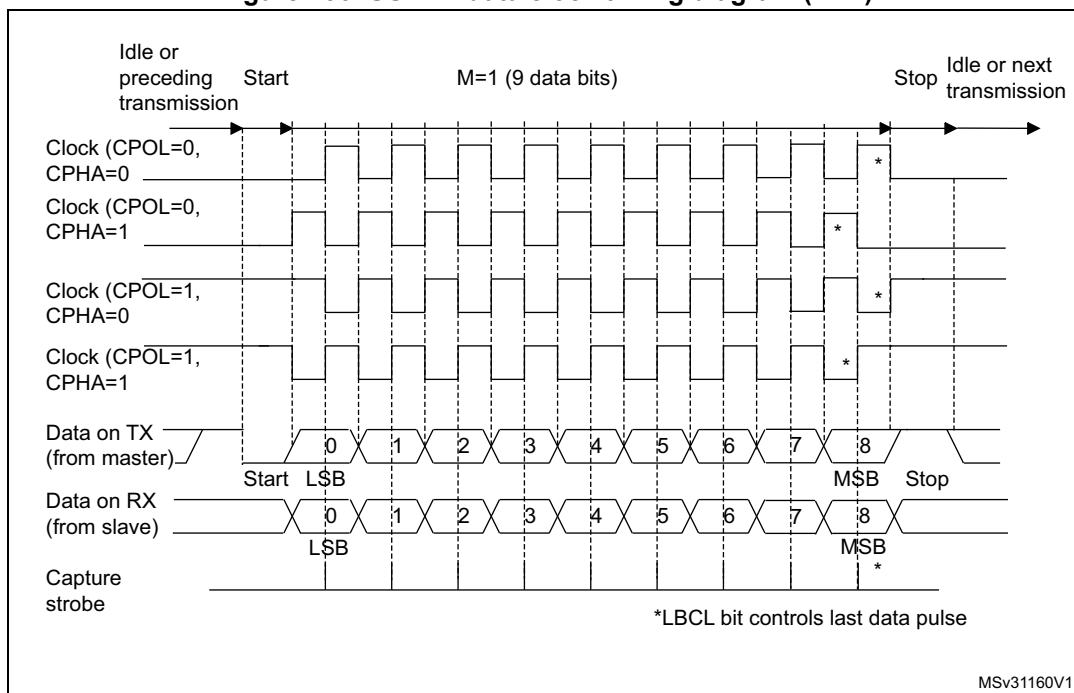
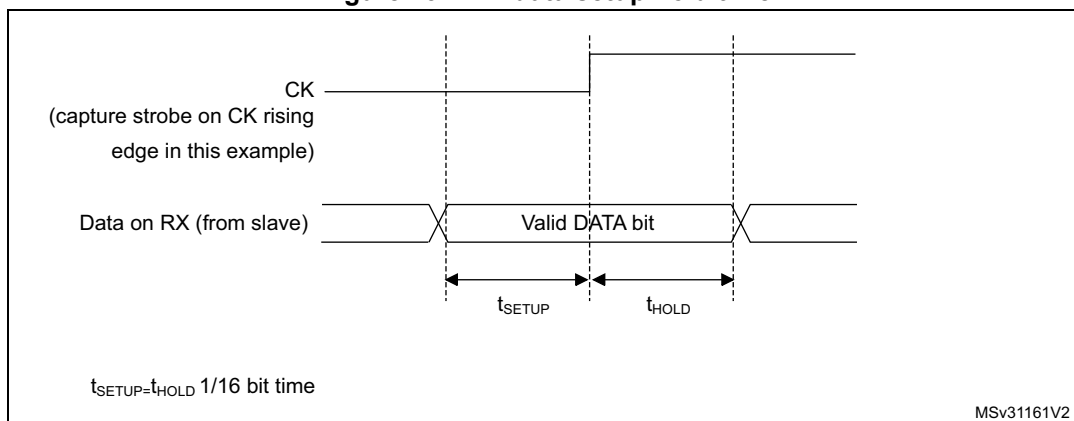


Figure 237. RX data setup/hold time



Note: The function of CK is different in Smartcard mode. Refer to the Smartcard mode chapter for more details.

24.3.10 Single-wire half-duplex communication

The single-wire half-duplex mode is selected by setting the HDSEL bit in the USART_CR3 register. In this mode, the following bits must be kept cleared:

- LINEN and CLKEN bits in the USART_CR2 register,
- SCEN and IREN bits in the USART_CR3 register.

The USART can be configured to follow a single-wire half-duplex protocol where the TX and RX lines are internally connected. The selection between half- and full-duplex communication is made with a control bit 'HALF DUPLEX SEL' (HDSEL in USART_CR3).

As soon as HDSEL is written to 1:

- the TX and RX lines are internally connected
- the RX pin is no longer used
- the TX pin is always released when no data is transmitted. Thus, it acts as a standard I/O in idle or in reception. It means that the I/O must be configured so that TX is configured as floating input (or output high open-drain) when not driven by the USART.

Apart from this, the communications are similar to what is done in normal USART mode. The conflicts on the line must be managed by the software (by the use of a centralized arbiter, for instance). In particular, the transmission is never blocked by hardware and continue to occur as soon as a data is written in the data register while the TE bit is set.

24.3.11 Smartcard

The Smartcard mode is selected by setting the SCEN bit in the USART_CR3 register. In smartcard mode, the following bits must be kept cleared:

- LINEN bit in the USART_CR2 register,
- HDSEL and IREN bits in the USART_CR3 register.

Moreover, the CLKEN bit may be set in order to provide a clock to the smartcard.

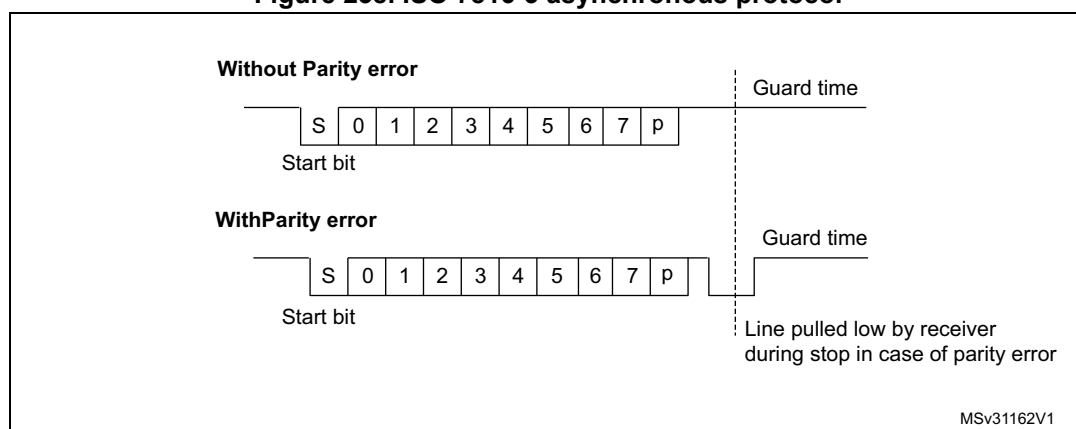
The Smartcard interface is designed to support asynchronous protocol Smartcards as defined in the ISO 7816-3 standard. The USART should be configured as:

- 8 bits plus parity: where M=1 and PCE=1 in the USART_CR1 register
- 1.5 stop bits when transmitting and receiving: where STOP=11 in the USART_CR2 register.

Note: It is also possible to choose 0.5 stop bit for receiving but it is recommended to use 1.5 stop bits for both transmitting and receiving to avoid switching between the two configurations.

Figure 238 shows examples of what can be seen on the data line with and without parity error.

Figure 238. ISO 7816-3 asynchronous protocol



When connected to a Smartcard, the TX output of the USART drives a bidirectional line that is also driven by the Smartcard. The TX pin must be configured as open-drain.

Smartcard is a single wire half duplex communication protocol.

- Transmission of data from the transmit shift register is guaranteed to be delayed by a minimum of 1/2 baud clock. In normal operation a full transmit shift register starts

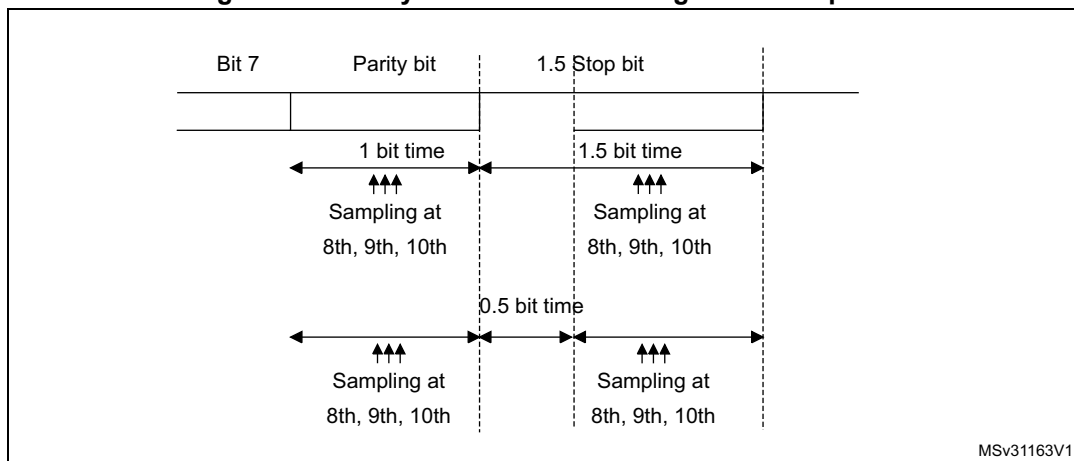
- shifting on the next baud clock edge. In Smartcard mode this transmission is further delayed by a guaranteed 1/2 baud clock.
- If a parity error is detected during reception of a frame programmed with a 0.5 or 1.5 stop bit period, the transmit line is pulled low for a baud clock period after the completion of the receive frame. This is to indicate to the Smartcard that the data transmitted to USART has not been correctly received. This NACK signal (pulling transmit line low for 1 baud clock) causes a framing error on the transmitter side (configured with 1.5 stop bits). The application can handle re-sending of data according to the protocol. A parity error is 'NACK'ed by the receiver if the NACK control bit is set, otherwise a NACK is not transmitted.
 - The assertion of the TC flag can be delayed by programming the Guard Time register. In normal operation, TC is asserted when the transmit shift register is empty and no further transmit requests are outstanding. In Smartcard mode an empty transmit shift register triggers the guard time counter to count up to the programmed value in the Guard Time register. TC is forced low during this time. When the guard time counter reaches the programmed value TC is asserted high.
 - The de-assertion of TC flag is unaffected by Smartcard mode.
 - If a framing error is detected on the transmitter end (due to a NACK from the receiver), the NACK is not detected as a start bit by the receive block of the transmitter. According to the ISO protocol, the duration of the received NACK can be 1 or 2 baud clock periods.
 - On the receiver side, if a parity error is detected and a NACK is transmitted the receiver does not detect the NACK as a start bit.

Note: A break character is not significant in Smartcard mode. A 0x00 data with a framing error is treated as data and not as a break.

No Idle frame is transmitted when toggling the TE bit. The Idle frame (as defined for the other configurations) is not defined by the ISO protocol.

Figure 239 details how the NACK signal is sampled by the USART. In this example the USART is transmitting a data and is configured with 1.5 stop bits. The receiver part of the USART is enabled in order to check the integrity of the data and the NACK signal.

Figure 239. Parity error detection using the 1.5 stop bits



The USART can provide a clock to the smartcard through the CK output. In smartcard mode, CK is not associated to the communication but is simply derived from the internal peripheral input clock through a 5-bit prescaler. The division ratio is configured in the

prescaler register USART_GTPR. CK frequency can be programmed from $f_{CK}/2$ to $f_{CK}/62$, where f_{CK} is the peripheral input clock.

24.3.12 IrDA SIR ENDEC block

The IrDA mode is selected by setting the IREN bit in the USART_CR3 register. In IrDA mode, the following bits must be kept cleared:

- LINEN, STOP and CLKEN bits in the USART_CR2 register,
- SCEN and HDSEL bits in the USART_CR3 register.

The IrDA SIR physical layer specifies use of a Return to Zero, Inverted (RZI) modulation scheme that represents logic 0 as an infrared light pulse (see [Figure 240](#)).

The SIR Transmit encoder modulates the Non Return to Zero (NRZ) transmit bit stream output from USART. The output pulse stream is transmitted to an external output driver and infrared LED. USART supports only bit rates up to 115.2Kbps for the SIR ENDEC. In normal mode the transmitted pulse width is specified as 3/16 of a bit period.

The SIR receive decoder demodulates the return-to-zero bit stream from the infrared detector and outputs the received NRZ serial bit stream to USART. The decoder input is normally HIGH (marking state) in the Idle state. The transmit encoder output has the opposite polarity to the decoder input. A start bit is detected when the decoder input is low.

- IrDA is a half duplex communication protocol. If the Transmitter is busy (i.e. the USART is sending data to the IrDA encoder), any data on the IrDA receive line is ignored by the IrDA decoder and if the Receiver is busy (USART is receiving decoded data from the USART), data on the TX from the USART to IrDA is not encoded by IrDA. While receiving data, transmission should be avoided as the data to be transmitted could be corrupted.
- A '0 is transmitted as a high pulse and a '1 is transmitted as a '0. The width of the pulse is specified as 3/16th of the selected bit period in normal mode (see [Figure 241](#)).
- The SIR decoder converts the IrDA compliant receive signal into a bit stream for USART.
- The SIR receive logic interprets a high state as a logic one and low pulses as logic zeros.
- The transmit encoder output has the opposite polarity to the decoder input. The SIR output is in low state when Idle.
- The IrDA specification requires the acceptance of pulses greater than 1.41 μ s. The acceptable pulse width is programmable. Glitch detection logic on the receiver end filters out pulses of width less than 2 PSC periods (PSC is the prescaler value programmed in the IrDA low-power Baud Register, USART_GTPR). Pulses of width less than 1 PSC period are always rejected, but those of width greater than one and less than two periods may be accepted or rejected, those greater than 2 periods are accepted as a pulse. The IrDA encoder/decoder does not work when PSC = 0.
- The receiver can communicate with a low-power transmitter.
- In IrDA mode, the STOP bits in the USART_CR2 register must be configured to "1 stop bit".

IrDA low-power mode

Transmitter:

In low-power mode the pulse width is not maintained at 3/16 of the bit period. Instead, the width of the pulse is 3 times the low-power baud rate which can be a minimum of 1.42 MHz. Generally this value is 1.8432 MHz (1.42 MHz < PSC < 2.12 MHz). A low-power mode programmable divisor divides the system clock to achieve this value.

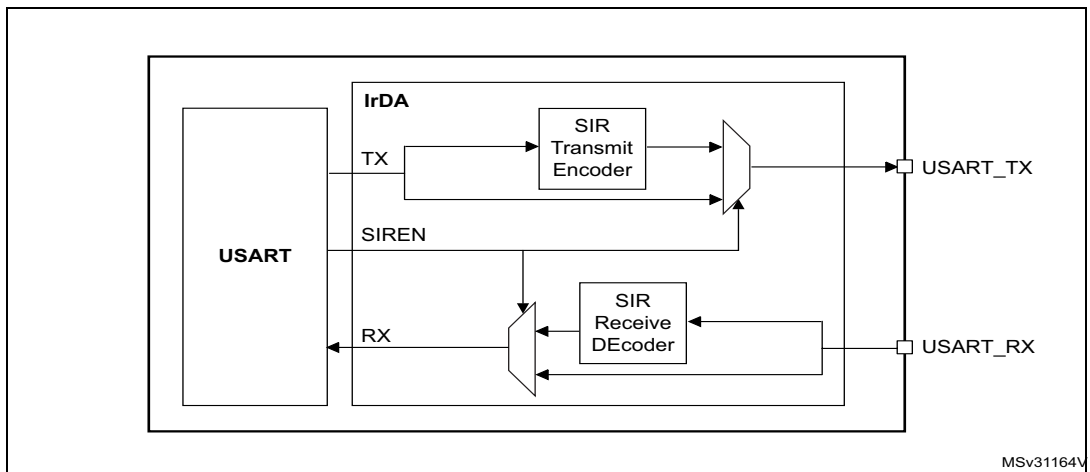
Receiver:

Receiving in low-power mode is similar to receiving in normal mode. For glitch detection the USART should discard pulses of duration shorter than 1/PSC. A valid low is accepted only if its duration is greater than 2 periods of the IrDA low-power Baud clock (PSC value in USART_GTPR).

Note: A pulse of width less than two and greater than one PSC period(s) may or may not be rejected.

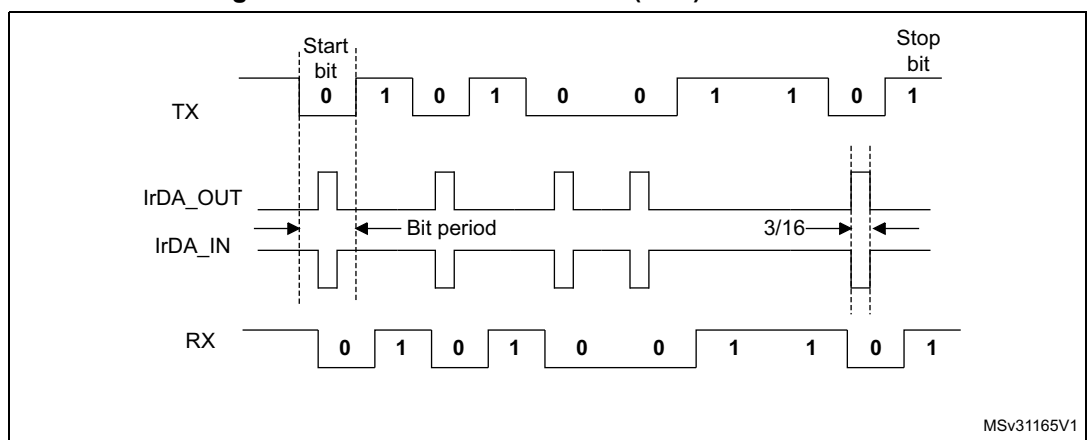
The receiver set up time should be managed by software. The IrDA physical layer specification specifies a minimum of 10 ms delay between transmission and reception (IrDA is a half duplex protocol).

Figure 240. IrDA SIR ENDEC- block diagram



MSv31164V

Figure 241. IrDA data modulation (3/16) -Normal mode



MSv31165V1

24.3.13 Continuous communication using DMA

The USART is capable of continuous communication using the DMA. The DMA requests for Rx buffer and Tx buffer are generated independently.

Note: You should refer to product specs for availability of the DMA controller. If DMA is not available in the product, you should use the USART as explained in [Section 24.3.2](#) or [24.3.3](#). In the USART_SR register, you can clear the TXE/ RXNE flags to achieve continuous communication.

Transmission using DMA

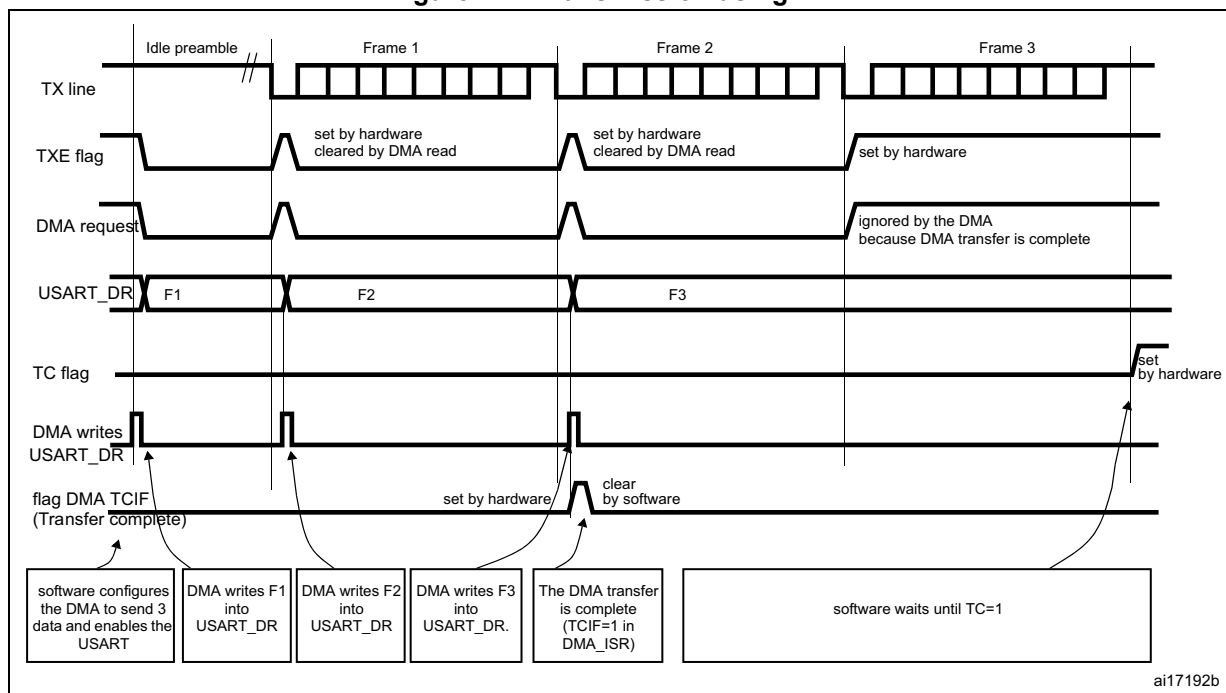
DMA mode can be enabled for transmission by setting DMAT bit in the USART_CR3 register. Data is loaded from a SRAM area configured using the DMA peripheral (refer to the DMA specification) to the USART_DR register whenever the TXE bit is set. To map a DMA channel for USART transmission, use the following procedure (x denotes the channel number):

1. Write the USART_DR register address in the DMA control register to configure it as the destination of the transfer. The data are moved to this address from memory after each TXE event.
2. Write the memory address in the DMA control register to configure it as the source of the transfer. The data are loaded into the USART_DR register from this memory area after each TXE event.
3. Configure the total number of bytes to be transferred to the DMA control register.
4. Configure the channel priority in the DMA register
5. Configure DMA interrupt generation after half/ full transfer as required by the application.
6. Clear the TC bit in the SR register by writing 0 to it.
7. Activate the channel in the DMA register.

When the number of data transfers programmed in the DMA Controller is reached, the DMA controller generates an interrupt on the DMA channel interrupt vector.

In transmission mode, once the DMA has written all the data to be transmitted (the TCIF flag is set in the DMA_ISR register), the TC flag can be monitored to make sure that the USART communication is complete. This is required to avoid corrupting the last transmission before disabling the USART or entering the Stop mode. The software must wait until TC=1. The TC flag remains cleared during all data transfers and it is set by hardware at the last frame's end of transmission.

Figure 242. Transmission using DMA



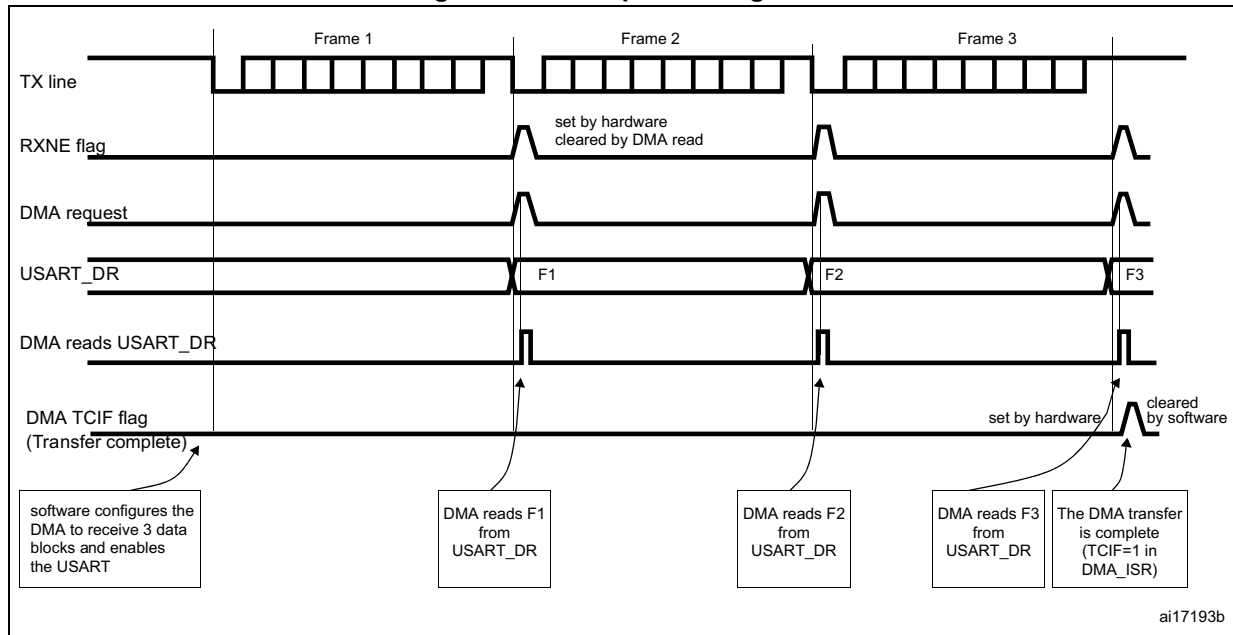
Reception using DMA

DMA mode can be enabled for reception by setting the DMAR bit in USART_CR3 register. Data is loaded from the USART_DR register to a SRAM area configured using the DMA peripheral (refer to the DMA specification) whenever a data byte is received. To map a DMA channel for USART reception, use the following procedure:

1. Write the USART_DR register address in the DMA control register to configure it as the source of the transfer. The data are moved from this address to the memory after each RXNE event.
2. Write the memory address in the DMA control register to configure it as the destination of the transfer. The data are loaded from USART_DR to this memory area after each RXNE event.
3. Configure the total number of bytes to be transferred in the DMA control register.
4. Configure the channel priority in the DMA control register
5. Configure interrupt generation after half/ full transfer as required by the application.
6. Activate the channel in the DMA control register.

When the number of data transfers programmed in the DMA Controller is reached, the DMA controller generates an interrupt on the DMA channel interrupt vector. The DMAR bit should be cleared by software in the USART_CR3 register during the interrupt subroutine.

Figure 243. Reception using DMA



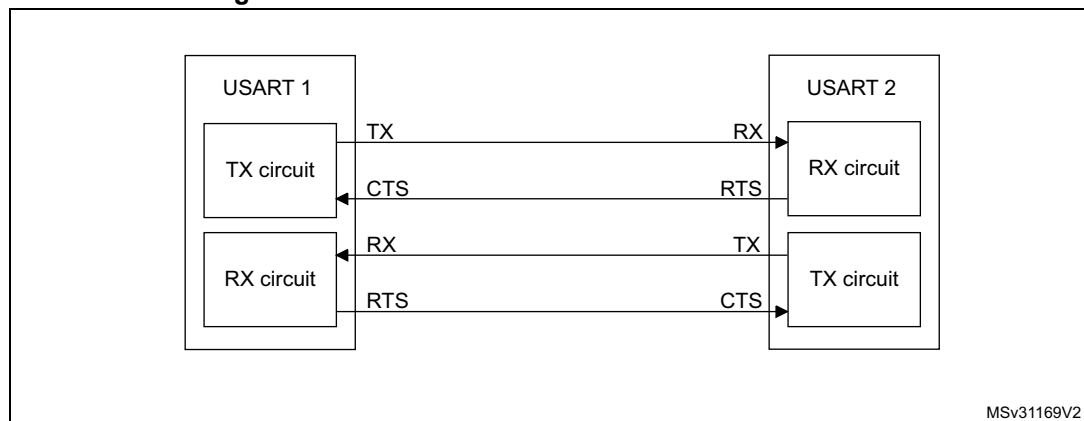
Error flagging and interrupt generation in multibuffer communication

In case of multibuffer communication if any error occurs during the transaction the error flag is asserted after the current byte. An interrupt is generated if the interrupt enable flag is set. For framing error, overrun error and noise flag which are asserted with RXNE in case of single byte reception, there is a separate error flag interrupt enable bit (EIE bit in the USART_CR3 register), which if set, issues an interrupt after the current byte with either of these errors.

24.3.14 Hardware flow control

It is possible to control the serial data flow between 2 devices by using the CTS input and the RTS output. The [Figure 244](#) shows how to connect 2 devices in this mode:

Figure 244. Hardware flow control between 2 USARTs

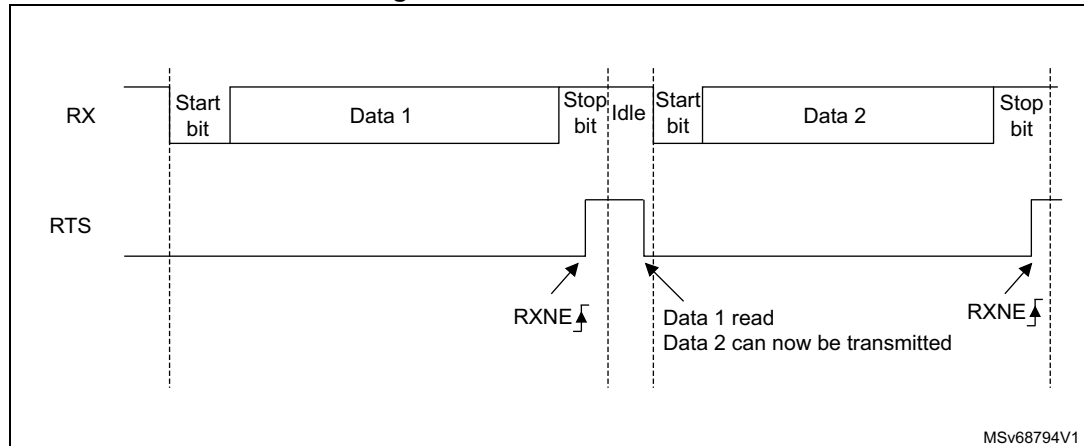


RTS and CTS flow control can be enabled independently by writing respectively RTSE and CTSE bits to 1 (in the USART_CR3 register).

RTS flow control

If the RTS flow control is enabled (RTSE=1), then RTS is asserted (tied low) as long as the USART receiver is ready to receive a new data. When the receive register is full, RTS is deasserted, indicating that the transmission is expected to stop at the end of the current frame. *Figure 245* shows an example of communication with RTS flow control enabled.

Figure 245. RTS flow control

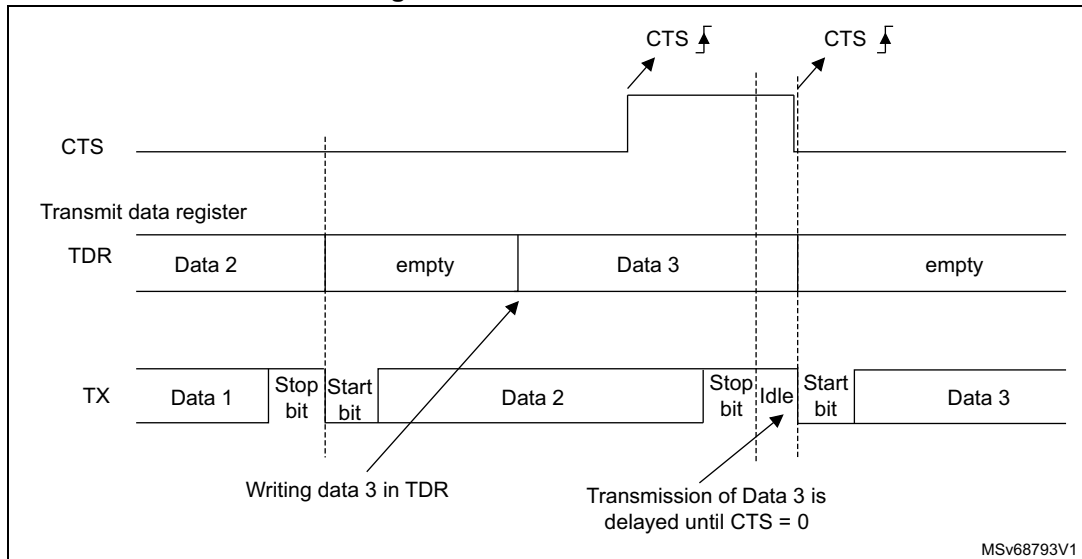


CTS flow control

If the CTS flow control is enabled (CTSE=1), then the transmitter checks the CTS input before transmitting the next frame. If CTS is asserted (tied low), then the next data is transmitted (assuming that a data is to be transmitted, in other words, if TXE=0), else the transmission does not occur. When CTS is deasserted during a transmission, the current transmission is completed before the transmitter stops.

When CTSE=1, the CTSIF status bit is automatically set by hardware as soon as the CTS input toggles. It indicates when the receiver becomes ready or not ready for communication. An interrupt is generated if the CTSIE bit in the USART_CR3 register is set. The figure below shows an example of communication with CTS flow control enabled.

Figure 246. CTS flow control



Note: **Special behavior of break frames:** when the CTS flow is enabled, the transmitter does not check the CTS input state to send a break.

24.4 USART interrupts

Table 96. USART interrupt requests

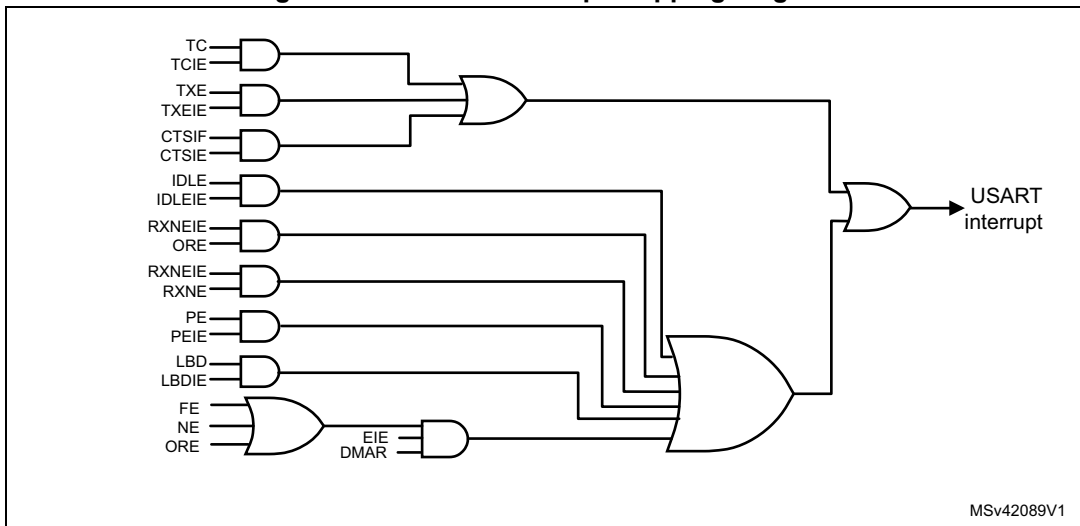
Interrupt event	Event flag	Enable control bit
Transmit Data Register Empty	TXE	TXEIE
CTS flag	CTS	CTSIE
Transmission Complete	TC	TCIE
Received Data Ready to be Read	RXNE	RXNEIE
Overrun Error Detected	ORE	
Idle Line Detected	IDLE	IDLEIE
Parity Error	PE	PEIE
Break Flag	LBD	LBDIE
Noise Flag, Overrun error and Framing Error in multibuffer communication	NF or ORE or FE	EIE

The USART interrupt events are connected to the same interrupt vector (see [Figure 247](#)).

- During transmission: Transmission Complete, Clear to Send or Transmit Data Register empty interrupt.
- While receiving: Idle Line detection, Overrun error, Receive Data register not empty, Parity error, LIN break detection, Noise Flag (only in multi buffer communication) and Framing Error (only in multi buffer communication).

These events generate an interrupt if the corresponding Enable Control Bit is set.

Figure 247. USART interrupt mapping diagram



MSv42089V1

24.5 USART mode configuration

Table 97. USART mode configuration⁽¹⁾

USART modes	USART 1	USART 2	USART 3	UART4	UART5	USART 6
Asynchronous mode	X	X	X	X	X	X
Hardware flow control	X	X	X	NA	NA	X
Multibuffer communication (DMA)	X	X	X	X	X	X
Multiprocessor communication	X	X	X	X	X	X
Synchronous	X	X	X	NA	NA	X
Smartcard	X	X	X	NA	NA	X
Half-duplex (single-wire mode)	X	X	X	X	X	X
IrDA	X	X	X	X	X	X
LIN	X	X	X	X	X	X

1. X = supported; NA = not applicable.

24.6 USART registers

Refer to [Section 1.1: List of abbreviations for registers for registers](#) for a list of abbreviations used in register descriptions.

The peripheral registers have to be accessed by half-words (16 bits) or words (32 bits).

24.6.1 Status register (USART_SR)

Address offset: 0x00

Reset value: 0x00C0 0000

31	30	29	28	27	26	25	24	23	22	21	20	19	18	17	16
Reserved															
15	14	13	12	11	10	9	8	7	6	5	4	3	2	1	0
Reserved						CTS	LBD	TXE	TC	RXNE	IDLE	ORE	NF	FE	PE
						rc_w0	rc_w0	r	rc_w0	rc_w0	r	r	r	r	r

Bits 31:10 Reserved, must be kept at reset value

Bit 9 **CTS**: CTS flag

This bit is set by hardware when the CTS input toggles, if the CTSE bit is set. It is cleared by software (by writing it to 0). An interrupt is generated if CTSIE=1 in the USART_CR3 register.

0: No change occurred on the CTS status line

1: A change occurred on the CTS status line

Note: This bit is not available for UART4 & UART5.

Bit 8 **LBD**: LIN break detection flag

This bit is set by hardware when the LIN break is detected. It is cleared by software (by writing it to 0). An interrupt is generated if LBDIE = 1 in the USART_CR2 register.

0: LIN Break not detected

1: LIN break detected

Note: An interrupt is generated when LBD=1 if LBDIE=1

Bit 7 **TXE**: Transmit data register empty

This bit is set by hardware when the content of the TDR register has been transferred into the shift register. An interrupt is generated if the TXEIE bit =1 in the USART_CR1 register. It is cleared by a write to the USART_DR register.

0: Data is not transferred to the shift register

1: Data is transferred to the shift register

Note: This bit is used during single buffer transmission.

Bit 6 **TC**: Transmission complete

This bit is set by hardware if the transmission of a frame containing data is complete and if TXE is set. An interrupt is generated if TCIE=1 in the USART_CR1 register. It is cleared by a software sequence (a read from the USART_SR register followed by a write to the USART_DR register). The TC bit can also be cleared by writing a '0' to it. This clearing sequence is recommended only for multibuffer communication.

0: Transmission is not complete

1: Transmission is complete

Bit 5 **RXNE**: Read data register not empty

This bit is set by hardware when the content of the RDR shift register has been transferred to the USART_DR register. An interrupt is generated if RXNEIE=1 in the USART_CR1 register. It is cleared by a read to the USART_DR register. The RXNE flag can also be cleared by writing a zero to it. This clearing sequence is recommended only for multibuffer communication.

0: Data is not received

1: Received data is ready to be read.

Bit 4 **IDLE**: IDLE line detected

This bit is set by hardware when an Idle Line is detected. An interrupt is generated if the IDLEIE=1 in the USART_CR1 register. It is cleared by a software sequence (an read to the USART_SR register followed by a read to the USART_DR register).

0: No Idle Line is detected

1: Idle Line is detected

Note: The IDLE bit is not set again until the RXNE bit has been set itself (a new idle line occurs).

Bit 3 ORE: Overrun error

This bit is set by hardware when the word currently being received in the shift register is ready to be transferred into the RDR register while RXNE=1. An interrupt is generated if RXNEIE=1 in the USART_CR1 register. It is cleared by a software sequence (an read to the USART_SR register followed by a read to the USART_DR register).

0: No Overrun error

1: Overrun error is detected

Note: When this bit is set, the RDR register content is not lost but the shift register is overwritten. An interrupt is generated on ORE flag in case of Multi Buffer communication if the EIE bit is set.

Bit 2 NF: Noise detected flag

This bit is set by hardware when noise is detected on a received frame. It is cleared by a software sequence (an read to the USART_SR register followed by a read to the USART_DR register).

0: No noise is detected

1: Noise is detected

Note: This bit does not generate interrupt as it appears at the same time as the RXNE bit which itself generates an interrupting interrupt is generated on NF flag in case of Multi Buffer communication if the EIE bit is set.

Note: When the line is noise-free, the NF flag can be disabled by programming the ONEBIT bit to 1 to increase the USART tolerance to deviations (Refer to [Section 24.3.5: USART receiver tolerance to clock deviation on page 641](#)).

Bit 1 FE: Framing error

This bit is set by hardware when a de-synchronization, excessive noise or a break character is detected. It is cleared by a software sequence (an read to the USART_SR register followed by a read to the USART_DR register).

0: No Framing error is detected

1: Framing error or break character is detected

Note: This bit does not generate interrupt as it appears at the same time as the RXNE bit which itself generates an interrupt. If the word currently being transferred causes both frame error and overrun error, it is transferred and only the ORE bit is set.

An interrupt is generated on FE flag in case of Multi Buffer communication if the EIE bit is set.

Bit 0 PE: Parity error

This bit is set by hardware when a parity error occurs in receiver mode. It is cleared by a software sequence (a read from the status register followed by a read or write access to the USART_DR data register). The software must wait for the RXNE flag to be set before clearing the PE bit.

An interrupt is generated if PEIE = 1 in the USART_CR1 register.

0: No parity error

1: Parity error

24.6.2 Data register (USART_DR)

Address offset: 0x04

Reset value: 0xFFFF XXXX

Bits 31:9 Reserved, must be kept at reset value

Bits 8:0 **DR[8:0]**: Data value

Contains the Received or Transmitted data character, depending on whether it is read from or written to.

The Data register performs a double function (read and write) since it is composed of two registers, one for transmission (TDR) and one for reception (RDR)

The TDR register provides the parallel interface between the internal bus and the output shift register (see [Figure 223: USART block diagram](#)).

The RDR register provides the parallel interface between the input shift register and the internal bus.

When transmitting with the parity enabled (PCE bit set to 1 in the USART_CR1 register), the value written in the MSB (bit 7 or bit 8 depending on the data length) has no effect because it is replaced by the parity.

When receiving with the parity enabled, the value read in the MSB bit is the received parity bit.

24.6.3 Baud rate register (USART_BRR)

Note: The baud counters stop counting if the TE or RE bits are disabled respectively.

Address offset: 0x08

Reset value: 0x0000 0000

31	30	29	28	27	26	25	24	23	22	21	20	19	18	17	16
Reserved															
15	14	13	12	11	10	9	8	7	6	5	4	3	2	1	0
DIV_Mantissa[11:0]												DIV_Fraction[3:0]			
rw	rw	rw	rw	rw	rw	rw	rw	rw	rw	rw	rw	rw	rw	rw	rw

Bits 31:16 Reserved, must be kept at reset value

Bits 15:4 **DIV_Mantissa[11:0]**: mantissa of USARTDIV

These 12 bits define the mantissa of the USART Divider (USARTDIV)

Bits 3:0 **DIV_Fraction[3:0]**: fraction of USARTDIV

These 4 bits define the fraction of the USART Divider (USARTDIV). When OVER8=1, the DIV_Fraction3 bit is not considered and must be kept cleared.

24.6.4 Control register 1 (USART_CR1)

Address offset: 0x0C

Reset value: 0x0000 0000

31	30	29	28	27	26	25	24	23	22	21	20	19	18	17	16
Reserved															
15	14	13	12	11	10	9	8	7	6	5	4	3	2	1	0
OVER8	Reserved	UE	M	WAKE	PCE	PS	PEIE	TXEIE	TCIE	RXNEIE	IDLEIE	TE	RE	RWU	SBK
rw	Res.	rw	rw	rw	rw	rw	rw	rw	rw	rw	rw	rw	rw	rw	rw



Bits 31:16 Reserved, must be kept at reset value

Bit 15 **OVER8**: Oversampling mode

0: oversampling by 16

1: oversampling by 8

Note: Oversampling by 8 is not available in the Smartcard, IrDA and LIN modes: when SCEN=1, IREN=1 or LINEN=1 then OVER8 is forced to '0 by hardware.

Bit 14 Reserved, must be kept at reset value

Bit 13 **UE**: USART enable

When this bit is cleared, the USART prescalers and outputs are stopped and the end of the current byte transfer in order to reduce power consumption. This bit is set and cleared by software.

0: USART prescaler and outputs disabled

1: USART enabled

Bit 12 **M**: Word length

This bit determines the word length. It is set or cleared by software.

0: 1 Start bit, 8 Data bits, n Stop bit

1: 1 Start bit, 9 Data bits, n Stop bit

Note: The M bit must not be modified during a data transfer (both transmission and reception)

Bit 11 **WAKE**: Wake-up method

This bit determines the USART wake-up method, it is set or cleared by software.

0: Idle Line

1: Address Mark

Bit 10 **PCE**: Parity control enable

This bit selects the hardware parity control (generation and detection). When the parity control is enabled, the computed parity is inserted at the MSB position (9th bit if M=1; 8th bit if M=0) and parity is checked on the received data. This bit is set and cleared by software. Once it is set, PCE is active after the current byte (in reception and in transmission).

0: Parity control disabled

1: Parity control enabled

Bit 9 **PS**: Parity selection

This bit selects the odd or even parity when the parity generation/detection is enabled (PCE bit set). It is set and cleared by software. The parity is selected after the current byte.

0: Even parity

1: Odd parity

Bit 8 **PEIE**: PE interrupt enable

This bit is set and cleared by software.

0: Interrupt is inhibited

1: An USART interrupt is generated whenever PE=1 in the USART_SR register

Bit 7 **TXEIE**: TXE interrupt enable

This bit is set and cleared by software.

0: Interrupt is inhibited

1: An USART interrupt is generated whenever TXE=1 in the USART_SR register

Bit 6 **TCIE**: Transmission complete interrupt enable

This bit is set and cleared by software.

0: Interrupt is inhibited

1: An USART interrupt is generated whenever TC=1 in the USART_SR register

- Bit 5 **RXNEIE**: RXNE interrupt enable
This bit is set and cleared by software.
0: Interrupt is inhibited
1: An USART interrupt is generated whenever ORE=1 or RXNE=1 in the USART_SR register
- Bit 4 **IDLEIE**: IDLE interrupt enable
This bit is set and cleared by software.
0: Interrupt is inhibited
1: An USART interrupt is generated whenever IDLE=1 in the USART_SR register
- Bit 3 **TE**: Transmitter enable
This bit enables the transmitter. It is set and cleared by software.
0: Transmitter is disabled
1: Transmitter is enabled
*Note: During transmission, a "0" pulse on the TE bit ("0" followed by "1") sends a preamble (idle line) after the current word, except in smartcard mode.
When TE is set, there is a 1 bit-time delay before the transmission starts.*
- Bit 2 **RE**: Receiver enable
This bit enables the receiver. It is set and cleared by software.
0: Receiver is disabled
1: Receiver is enabled and begins searching for a start bit
- Bit 1 **RWU**: Receiver wake-up
This bit determines if the USART is in mute mode or not. It is set and cleared by software and can be cleared by hardware when a wake-up sequence is recognized.
0: Receiver in active mode
1: Receiver in mute mode
*Note: Before selecting Mute mode (by setting the RWU bit) the USART must first receive a data byte, otherwise it cannot function in Mute mode with wake-up by Idle line detection.
In Address Mark Detection wake-up configuration (WAKE bit=1) the RWU bit cannot be modified by software while the RXNE bit is set.*
- Bit 0 **SBK**: Send break
This bit set is used to send break characters. It can be set and cleared by software. It should be set by software, and is reset by hardware during the stop bit of break.
0: No break character is transmitted.
1: Break character is transmitted.

24.6.5 Control register 2 (USART_CR2)

Address offset: 0x10

Reset value: 0x0000 0000

31	30	29	28	27	26	25	24	23	22	21	20	19	18	17	16
Reserved															
15	14	13	12	11	10	9	8	7	6	5	4	3	2	1	0
Res.	LINEN	STOP[1:0]		CLKEN	CPOL	CPHA	LBCL	Res.	LBDIE	LBDL	Res.	ADD[3:0]			
	rw	rw	rw	rw	rw	rw	rw		rw	rw	rw	rw	rw	rw	rw

Bits 31:15 Reserved, must be kept at reset value

Bit 14 **LINEN**: LIN mode enable

This bit is set and cleared by software.

0: LIN mode disabled

1: LIN mode enabled

The LIN mode enables the capability to send LIN Synch Breaks (13 low bits) using the SBK bit in the USART_CR1 register, and to detect LIN Sync breaks.

Bits 13:12 **STOP**: STOP bits

These bits are used for programming the stop bits.

00: 1 Stop bit

01: 0.5 Stop bit

10: 2 Stop bits

11: 1.5 Stop bit

Note: The 0.5 Stop bit and 1.5 Stop bit are not available for UART4 & UART5.

Bit 11 **CLKEN**: Clock enable

This bit allows the user to enable the CK pin.

0: CK pin disabled

1: CK pin enabled

This bit is not available for UART4 & UART5.

Bit 10 **CPOL**: Clock polarity

This bit allows the user to select the polarity of the clock output on the CK pin in synchronous mode.

It works in conjunction with the CPHA bit to produce the desired clock/data relationship

0: Steady low value on CK pin outside transmission window.

1: Steady high value on CK pin outside transmission window.

This bit is not available for UART4 & UART5.

Bit 9 **CPHA**: Clock phase

This bit allows the user to select the phase of the clock output on the CK pin in synchronous mode.

It works in conjunction with the CPOL bit to produce the desired clock/data relationship (see figures [235](#) to [236](#))

0: The first clock transition is the first data capture edge

1: The second clock transition is the first data capture edge

Note: This bit is not available for UART4 & UART5.

Bit 8 **LBCL**: Last bit clock pulse

This bit allows the user to select whether the clock pulse associated with the last data bit transmitted (MSB) has to be output on the CK pin in synchronous mode.

- 0: The clock pulse of the last data bit is not output to the CK pin
- 1: The clock pulse of the last data bit is output to the CK pin

Note: 1: The last bit is the 8th or 9th data bit transmitted depending on the 8 or 9 bit format selected by the M bit in the USART_CR1 register.

2: This bit is not available for UART4 & UART5.

Bit 7 Reserved, must be kept at reset value

Bit 6 **LBDIE**: LIN break detection interrupt enable

Break interrupt mask (break detection using break delimiter).

- 0: Interrupt is inhibited
- 1: An interrupt is generated whenever LBD=1 in the USART_SR register

Bit 5 **LBDL**: *lin* break detection length

This bit is for selection between 11 bit or 10 bit break detection.

- 0: 10-bit break detection
- 1: 11-bit break detection

Bit 4 Reserved, must be kept at reset value

Bits 3:0 **ADD[3:0]**: Address of the USART node

This bit-field gives the address of the USART node.

This is used in multiprocessor communication during mute mode, for wake up with address mark detection.

Note: These 3 bits (CPOL, CPHA, LBCL) should not be written while the transmitter is enabled.

24.6.6 Control register 3 (USART_CR3)

Address offset: 0x14

Reset value: 0x0000 0000

31	30	29	28	27	26	25	24	23	22	21	20	19	18	17	16
Reserved															
15	14	13	12	11	10	9	8	7	6	5	4	3	2	1	0
Reserved				ONEBIT	CTSIE	CTSE	RTSE	DMAT	DMAR	SCEN	NACK	HDSEL	IRLP	IREN	EIE
				rw	rw	rw	rw	rw	rw	rw	rw	rw	rw	rw	rw

Bits 31:12 Reserved, must be kept at reset value

Bit 11 **ONEBIT**: One sample bit method enable

This bit allows the user to select the sample method. When the one sample bit method is selected the noise detection flag (NF) is disabled.

- 0: Three sample bit method
- 1: One sample bit method

Note: The ONEBIT feature applies only to data bits. It does not apply to START bit.

Bit 10 **CTSIE**: CTS interrupt enable

0: Interrupt is inhibited

1: An interrupt is generated whenever CTS=1 in the USART_SR register

Note: This bit is not available for UART4 & UART5.

- Bit 9 **CTSE**: CTS enable
0: CTS hardware flow control disabled
1: CTS mode enabled, data is only transmitted when the CTS input is asserted (tied to 0). If the CTS input is deasserted while a data is being transmitted, then the transmission is completed before stopping. If a data is written into the data register while CTS is deasserted, the transmission is postponed until CTS is asserted.
Note: This bit is not available for UART4 & UART5.
- Bit 8 **RTSE**: RTS enable
0: RTS hardware flow control disabled
1: RTS interrupt enabled, data is only requested when there is space in the receive buffer. The transmission of data is expected to cease after the current character has been transmitted. The RTS output is asserted (tied to 0) when a data can be received.
Note: This bit is not available for UART4 & UART5.
- Bit 7 **DMAT**: DMA enable transmitter
This bit is set/reset by software
1: DMA mode is enabled for transmission.
0: DMA mode is disabled for transmission.
- Bit 6 **DMAR**: DMA enable receiver
This bit is set/reset by software
1: DMA mode is enabled for reception
0: DMA mode is disabled for reception
- Bit 5 **SCEN**: Smartcard mode enable
This bit is used for enabling Smartcard mode.
0: Smartcard Mode disabled
1: Smartcard Mode enabled
Note: This bit is not available for UART4 & UART5.
- Bit 4 **NACK**: Smartcard NACK enable
0: NACK transmission in case of parity error is disabled
1: NACK transmission during parity error is enabled
Note: This bit is not available for UART4 & UART5.
- Bit 3 **HDSEL**: Half-duplex selection
Selection of Single-wire Half-duplex mode
0: Half duplex mode is not selected
1: Half duplex mode is selected

Bit 2 IRLP: IrDA low-power

This bit is used for selecting between normal and low-power IrDA modes

0: Normal mode

1: Low-power mode

Bit 1 IREN: IrDA mode enable

This bit is set and cleared by software.

0: IrDA disabled

1: IrDA enabled

Bit 0 EIE: Error interrupt enable

Error Interrupt Enable Bit is required to enable interrupt generation in case of a framing error, overrun error or noise flag (FE=1 or ORE=1 or NF=1 in the USART_SR register) in case of Multi Buffer Communication (DMAR=1 in the USART_CR3 register).

0: Interrupt is inhibited

1: An interrupt is generated whenever DMAR=1 in the USART_CR3 register and FE=1 or ORE=1 or NF=1 in the USART_SR register.

24.6.7 Guard time and prescaler register (USART_GTPR)

Address offset: 0x18

Reset value: 0x0000 0000

31	30	29	28	27	26	25	24	23	22	21	20	19	18	17	16
Reserved															
15	14	13	12	11	10	9	8	7	6	5	4	3	2	1	0
GT[7:0]								PSC[7:0]							
rw	rw	rw	rw	rw	rw	rw	rw	rw	rw	rw	rw	rw	rw	rw	rw

Bits 31:16 Reserved, must be kept at reset value

Bits 15:8 **GT[7:0]**: Guard time value

This bit-field gives the Guard time value in terms of number of baud clocks.

This is used in Smartcard mode. The Transmission Complete flag is set after this guard time value.

Note: This bit is not available for UART4 & UART5.

Bits 7:0 **PSC[7:0]**: Prescaler value

– In IrDA Low-power mode:

PSC[7:0] = IrDA Low-Power Baud Rate

Used for programming the prescaler for dividing the system clock to achieve the low-power frequency:

The source clock is divided by the value given in the register (8 significant bits):

00000000: Reserved - do not program this value

00000001: divides the source clock by 1

00000010: divides the source clock by 2

...

– In normal IrDA mode: PSC must be set to 00000001.

– In smartcard mode:

PSC[4:0]: Prescaler value

Used for programming the prescaler for dividing the system clock to provide the smartcard clock.

The value given in the register (5 significant bits) is multiplied by 2 to give the division factor of the source clock frequency:

00000: Reserved - do not program this value

00001: divides the source clock by 2

00010: divides the source clock by 4

00011: divides the source clock by 6

...

Note: 1: Bits [7:5] have no effect if Smartcard mode is used.

2: This bit is not available for UART4 & UART5.

24.6.8 USART register map

The table below gives the USART register map and reset values.

Table 98. USART register map and reset values

Offset	Register	31	30	29	28	27	26	25	24	23	22	21	20	19	18	17	16	15	14	13	12	11	10	9	8	7	6	5	4	3	2	1	0						
0x00	USART_SR	Reserved																						CTS	LBD	TXE	TC	RXNE	IDLE	ORE	NF	FE	PE						
	Reset value																							0	0	1	1	0	0	0	0	0	0						
0x04	USART_DR	Reserved																						DR[8:0]															
	Reset value																							0	0	0	0	0	0	0	0	0	0	0	0	0	0	0	0
0x08	USART_BRR	Reserved														DIV_Mantissa[15:4]						DIV_Fraction [3:0]																	
	Reset value															0	0	0	0	0	0	0	0	0	0	0	0	0	0	0	0	0	0	0					
0x0C	USART_CR1	Reserved														OVER8	Reserved	UE	M	WAKE	PCE	PS	PEIE	TXEIE	TCIE	RXNEIE	IDLEIE	TE	RE	RWU	SBK								
	Reset value															0	0	0	0	0	0	0	0	0	0	0	0	0	0	0	0	0	0	0	0				
0x10	USART_CR2	Reserved														LINEN	STOP [1:0]	CLKEN	CPOL	CPHA	LBCL	Reserved	LBDIE	LBDL	Reserved	ADD[3:0]													
	Reset value															0	0	0	0	0	0	0	0	0	0	0	0	0	0	0	0	0	0	0	0				
0x14	USART_CR3	Reserved														ONEBIT	CTSIE	CTSE	RTSE	DMAT	DMAR	SCEN	NACK	HDSEL	IRLP	IREN	EIE												
	Reset value															0	0	0	0	0	0	0	0	0	0	0	0	0	0	0	0	0	0	0	0				
0x18	USART_GTPR	Reserved														GT[7:0]						PSC[7:0]																	
	Reset value															0	0	0	0	0	0	0	0	0	0	0	0	0	0	0	0	0	0	0	0	0			

Refer to [Section 2.3: Memory map](#) for the register boundary addresses.

25 Serial peripheral interface (SPI)

This section applies to the whole STM32F20x and STM32F21x family, unless otherwise specified.

25.1 SPI introduction

The SPI interface provides two main functions, supporting the SPI or the I²S audio protocol. By default, the SPI function is selected. It is possible to switch the interface from SPI to I²S by software.

The serial peripheral interface (SPI) allows half/ full-duplex, synchronous, serial communication with external devices. The interface can be configured as the master and in this case it provides the communication clock (SCK) to the external slave device. The interface is also capable of operating in multimaster configuration.

It may be used for a variety of purposes, including simplex synchronous transfers on two lines with a possible bidirectional data line or reliable communication using CRC checking.

The I²S is also a synchronous serial communication interface. It can address four different audio standards including the I²S Philips standard, the MSB- and LSB-justified standards, and the PCM standard. It can operate as a slave or a master device in full-duplex mode (using 4 pins) or in half-duplex mode (using 6 pins). Master clock can be provided by the interface to an external slave component when the I²S is configured as the communication master.

Warning: Since some SPI1 and SPI3/I2S3 pins may be mapped onto some pins used by the JTAG interface (SPI1_NSS onto JTDI, SPI3_NSS/I2S3_WS onto JTDI and SPI3_SCK/I2S3_CK onto JTDO), you may either:

- map SPI/I2S onto other pins
- disable the JTAG and use the SWD interface prior to configuring the pins listed as SPI I/Os (when debugging the application) or
- disable both JTAG/SWD interfaces (for standalone applications).

For more information on the configuration of the JTAG/SWD interface pins, refer to [Section 6.3.2: I/O pin multiplexer and mapping](#).

25.2 SPI and I²S main features

25.2.1 SPI features

- Full-duplex synchronous transfers on three lines
- Simplex synchronous transfers on two lines with or without a bidirectional data line
- 8- or 16-bit transfer frame format selection
- Master or slave operation
- Multimaster mode capability
- 8 master mode baud rate prescalers ($f_{PCLK}/2$ max.)
- Slave mode frequency ($f_{PCLK}/2$ max)
- Faster communication for both master and slave
- NSS management by hardware or software for both master and slave: dynamic change of master/slave operations
- Programmable clock polarity and phase
- Programmable data order with MSB-first or LSB-first shifting
- Dedicated transmission and reception flags with interrupt capability
- SPI bus busy status flag
- SPI TI mode
- Hardware CRC feature for reliable communication:
 - CRC value can be transmitted as last byte in Tx mode
 - Automatic CRC error checking for last received byte
- Master mode fault, overrun and CRC error flags with interrupt capability
- 1-byte transmission and reception buffer with DMA capability: Tx and Rx requests

25.2.2 I²S features

- Half-duplex communication (only transmitter or receiver)
- Master or slave operations
- 8-bit programmable linear prescaler to reach accurate audio sample frequencies (from 8 kHz to 192 kHz)
- Data format may be 16-bit, 24-bit or 32-bit
- Packet frame is fixed to 16-bit (16-bit data frame) or 32-bit (16-bit, 24-bit, 32-bit data frame) by audio channel
- Programmable clock polarity (steady state)
- Underrun flag in slave transmission mode and Overrun flag in reception mode (master and slave)
- 16-bit register for transmission and reception with one data register for both channel sides
- Supported I²S protocols:
 - I²S Philips standard
 - MSB-justified standard (left-justified)
 - LSB-justified standard (right-justified)

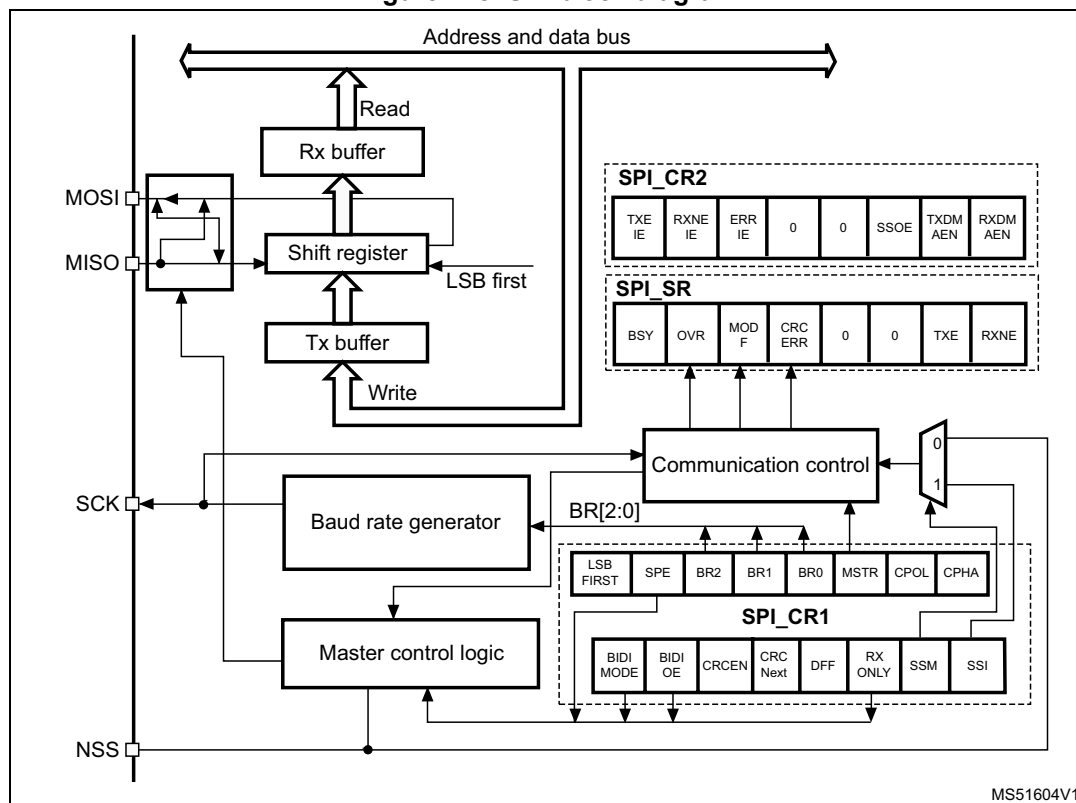
- PCM standard (with short and long frame synchronization on 16-bit channel frame or 16-bit data frame extended to 32-bit channel frame)
- Data direction is always MSB first
- DMA capability for transmission and reception (16-bit wide)
- Master clock may be output to drive an external audio component. Ratio is fixed at $256 \times F_S$ (where F_S is the audio sampling frequency)

25.3 SPI functional description

25.3.1 General description

The block diagram of the SPI is shown in [Figure 248](#).

Figure 248. SPI block diagram

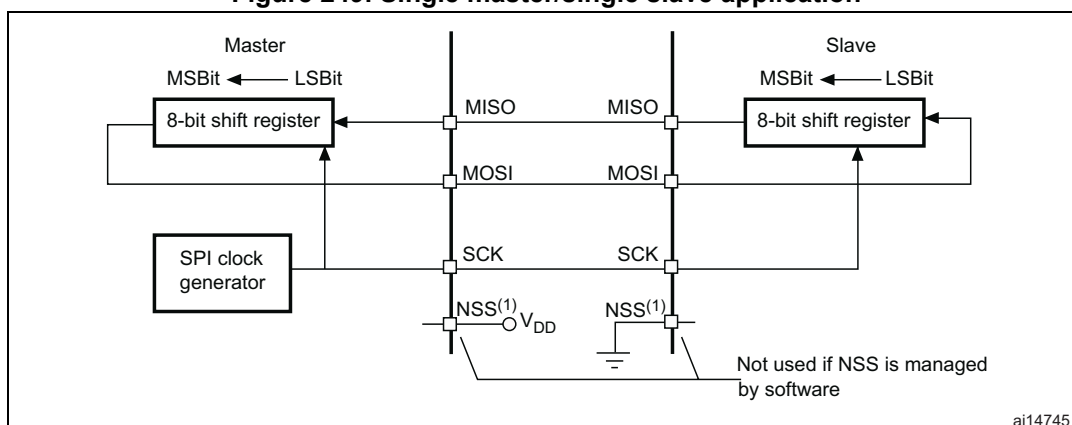


Usually, the SPI is connected to external devices through four pins:

- MISO: Master In / Slave Out data. This pin can be used to transmit data in slave mode and receive data in master mode.
- MOSI: Master Out / Slave In data. This pin can be used to transmit data in master mode and receive data in slave mode.
- SCK: Serial Clock output for SPI masters and input for SPI slaves.
- NSS: Slave select. This is an optional pin to select a slave device. This pin acts as a 'chip select' to let the SPI master communicate with slaves individually and to avoid contention on the data lines. Slave NSS inputs can be driven by standard IO ports on the master device. The NSS pin may also be used as an output if enabled (SSOE bit) and driven low if the SPI is in master configuration. In this manner, all NSS pins from devices connected to the Master NSS pin see a low level and become slaves when they are configured in NSS hardware mode. When configured in master mode with NSS configured as an input (MSTR=1 and SSOE=0) and if NSS is pulled low, the SPI enters the master mode fault state: the MSTR bit is automatically cleared and the device is configured in slave mode (refer to [Section 25.3.10](#)).

A basic example of interconnections between a single master and a single slave is illustrated in [Figure 249](#).

Figure 249. Single master/single slave application



1. Here, the NSS pin is configured as an input.

The MOSI pins are connected together and the MISO pins are connected together. In this way data is transferred serially between master and slave (most significant bit first).

The communication is always initiated by the master. When the master device transmits data to a slave device via the MOSI pin, the slave device responds via the MISO pin. This implies full-duplex communication with both data out and data in synchronized with the same clock signal (which is provided by the master device via the SCK pin).

Slave select (NSS) pin management

Hardware or software slave select management can be set using the SSM bit in the SPI_CR1 register.

- Software NSS management (SSM = 1)
 - The slave select information is driven internally by the value of the SSI bit in the SPI_CR1 register. The external NSS pin remains free for other application uses.
- Hardware NSS management (SSM = 0)
 - Two configurations are possible depending on the NSS output configuration (SSOE bit in register SPI_CR2).
 - NSS output enabled (SSM = 0, SSOE = 1)
 - This configuration is used only when the device operates in master mode. The NSS signal is driven low when the master starts the communication and is kept low until the SPI is disabled.
 - NSS output disabled (SSM = 0, SSOE = 0)
 - This configuration allows multimaster capability for devices operating in master mode. For devices set as slave, the NSS pin acts as a classical NSS input: the slave is selected when NSS is low and deselected when NSS high.

Clock phase and clock polarity

Four possible timing relationships may be chosen by software, using the CPOL and CPHA bits in the SPI_CR1 register. The CPOL (clock polarity) bit controls the steady state value of the clock when no data is being transferred. This bit affects both master and slave modes. If CPOL is reset, the SCK pin has a low-level idle state. If CPOL is set, the SCK pin has a high-level idle state.

If the CPHA (clock phase) bit is set, the second edge on the SCK pin (falling edge if the CPOL bit is reset, rising edge if the CPOL bit is set) is the MSBit capture strobe. Data are

latched on the occurrence of the second clock transition. If the CPHA bit is reset, the first edge on the SCK pin (falling edge if CPOL bit is set, rising edge if CPOL bit is reset) is the MSBit capture strobe. Data are latched on the occurrence of the first clock transition.

The combination of the CPOL (clock polarity) and CPHA (clock phase) bits selects the data capture clock edge.

Figure 250, shows an SPI transfer with the four combinations of the CPHA and CPOL bits. The diagram may be interpreted as a master or slave timing diagram where the SCK pin, the MISO pin, the MOSI pin are directly connected between the master and the slave device.

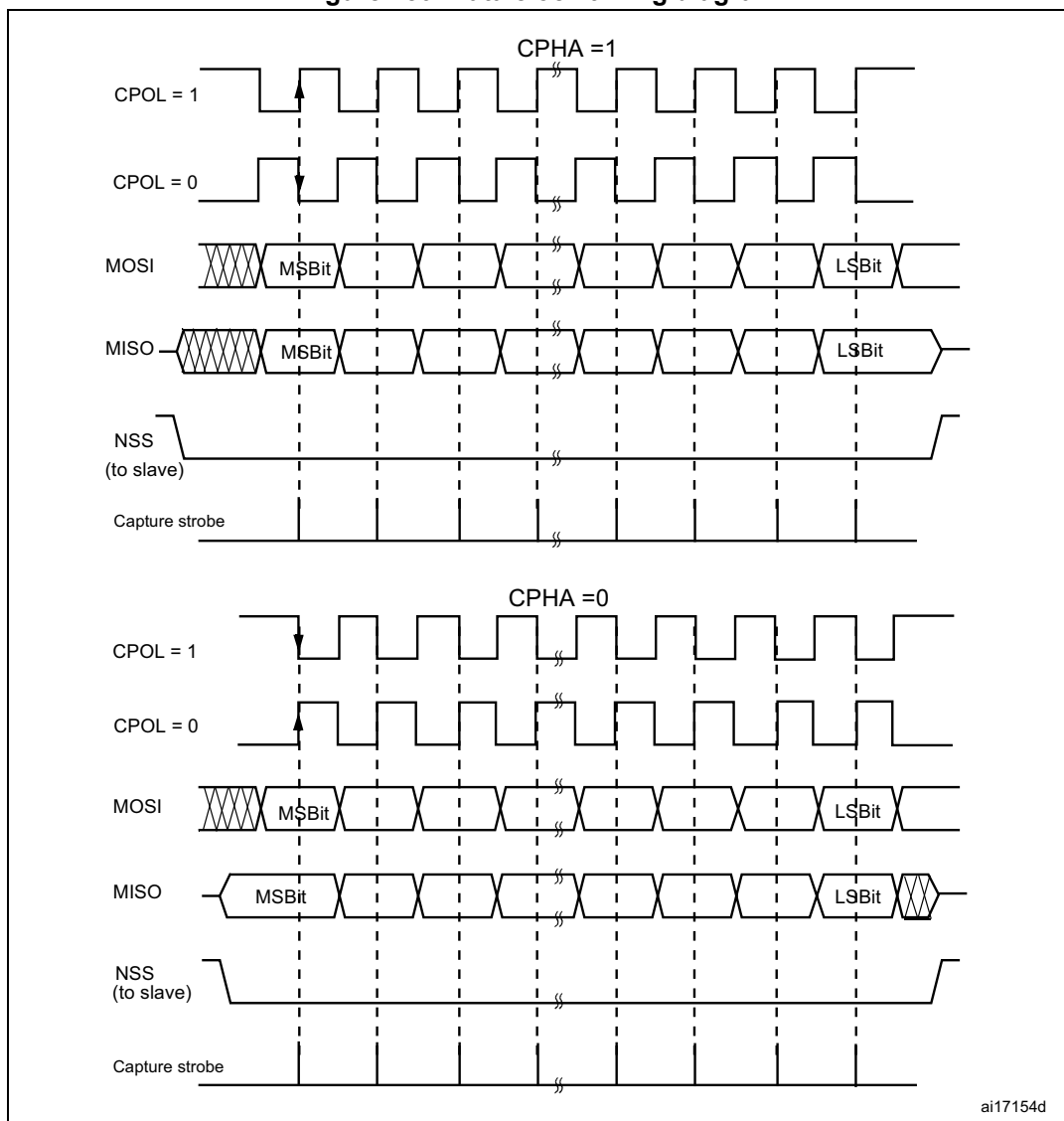
Note: *Prior to changing the CPOL/CPHA bits the SPI must be disabled by resetting the SPE bit.*

Master and slave must be programmed with the same timing mode.

The idle state of SCK must correspond to the polarity selected in the SPI_CR1 register (by pulling up SCK if CPOL=1 or pulling down SCK if CPOL=0).

The Data Frame Format (8- or 16-bit) is selected through the DFF bit in SPI_CR1 register, and determines the data length during transmission/reception.

Figure 250. Data clock timing diagram



1. These timings are shown with the LSBFIRST bit reset in the SPI_CR1 register.

Data frame format

Data can be shifted out either MSB-first or LSB-first depending on the value of the LSBFIRST bit in the SPI_CR1 register.

Each data frame is 8 or 16 bits long depending on the size of the data programmed using the DFF bit in the SPI_CR1 register. The selected data frame format is applicable for transmission and/or reception.

25.3.2 Configuring the SPI in slave mode

In the slave configuration, the serial clock is received on the SCK pin from the master device. The value set in the BR[2:0] bits in the SPI_CR1 register, does not affect the data transfer rate.

Note: It is recommended to enable the SPI slave before the master sends the clock. If not, undesired data transmission might occur. The data register of the slave needs to be ready before the first edge of the communication clock or before the end of the ongoing communication. It is mandatory to have the polarity of the communication clock set to the steady state value before the slave and the master are enabled.

Follow the procedure below to configure the SPI in slave mode:

Procedure

1. Set the DFF bit to define 8- or 16-bit data frame format
2. Select the CPOL and CPHA bits to define one of the four relationships between the data transfer and the serial clock (see [Figure 250](#)). For correct data transfer, the CPOL and CPHA bits must be configured in the same way in the slave device and the master device. This step is not required when the TI mode is selected through the FRF bit in the SPI_CR2 register.
3. The frame format (MSB-first or LSB-first depending on the value of the LSBFIRST bit in the SPI_CR1 register) must be the same as the master device. This step is not required when TI mode is selected.
4. In Hardware mode (refer to [Slave select \(NSS\) pin management](#)), the NSS pin must be connected to a low level signal during the complete byte transmit sequence. In NSS software mode, set the SSM bit and clear the SSI bit in the SPI_CR1 register. This step is not required when TI mode is selected.
5. Set the FRF bit in the SPI_CR2 register to select the TI mode protocol for serial communications.
6. Clear the MSTR bit and set the SPE bit (both in the SPI_CR1 register) to assign the pins to alternate functions.

In this configuration the MOSI pin is a data input and the MISO pin is a data output.

Transmit sequence

The data byte is parallel-loaded into the Tx buffer during a write cycle.

The transmit sequence begins when the slave device receives the clock signal and the most significant bit of the data on its MOSI pin. The remaining bits (the 7 bits in 8-bit data frame format, and the 15 bits in 16-bit data frame format) are loaded into the shift-register. The TXE flag in the SPI_SR register is set on the transfer of data from the Tx Buffer to the shift register and an interrupt is generated if the TXEIE bit in the SPI_CR2 register is set.

Receive sequence

For the receiver, when data transfer is complete:

- The Data in shift register is transferred to Rx Buffer and the RXNE flag (SPI_SR register) is set
- An Interrupt is generated if the RXNEIE bit is set in the SPI_CR2 register.

After the last sampling clock edge the RXNE bit is set, a copy of the data byte received in the shift register is moved to the Rx buffer. When the SPI_DR register is read, the SPI peripheral returns this buffered value.

Clearing of the RXNE bit is performed by reading the SPI_DR register.

SPI TI protocol in slave mode

In slave mode, the SPI interface is compatible with the TI protocol. The FRF bit of the SPI_CR2 register can be used to configure the slave SPI serial communications to be compliant with this protocol.

The clock polarity and phase are forced to conform to the TI protocol requirements whatever the values set in the SPI_CR1 register. NSS management is also specific to the TI protocol which makes the configuration of NSS management through the SPI_CR1 and SPI_CR2 registers (such as SSM, SSI, SSOE) transparent for the user.

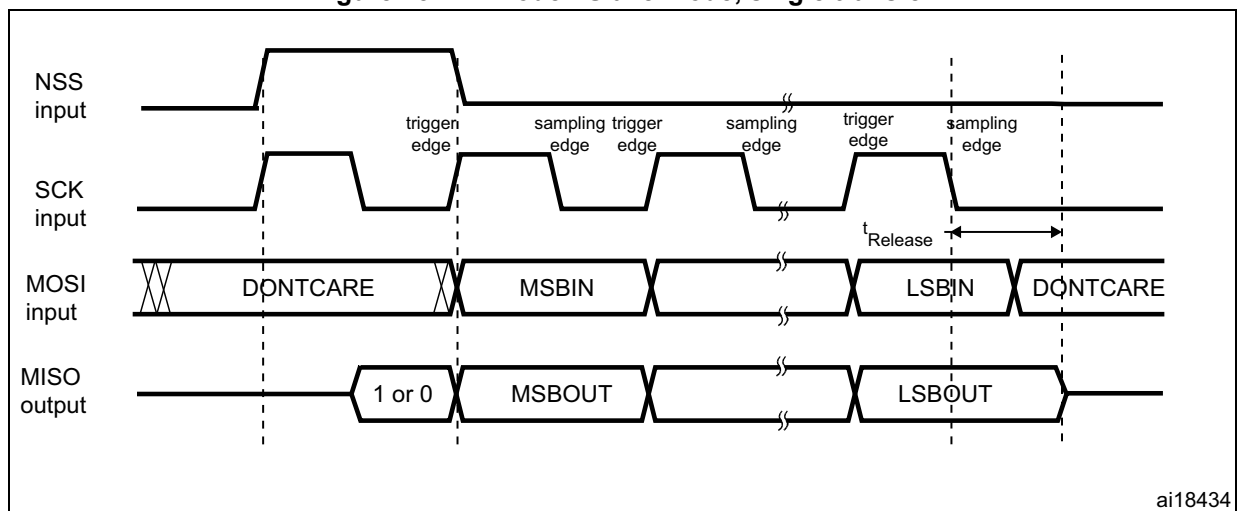
In Slave mode (Figure 251 and Figure 252), the SPI baud rate prescaler is used to control the moment when the MISO pin state changes to HI-Z. Any baud rate can be used thus allowing to determine this moment with optimal flexibility. However, the baud rate is generally set to the external master clock baud rate. The time for the MISO signal to become HI-Z ($t_{release}$) depends on internal resynchronizations and on the baud rate value set in through BR[2:0] of SPI_CR1 register. It is given by the formula:

$$\frac{t_{baud_rate}}{2} + 4 \times t_{pclk} < t_{release} < \frac{t_{baud_rate}}{2} + 6 \times t_{pclk}$$

Note: This feature is not available for Motorola SPI communications (FRF bit set to 0).

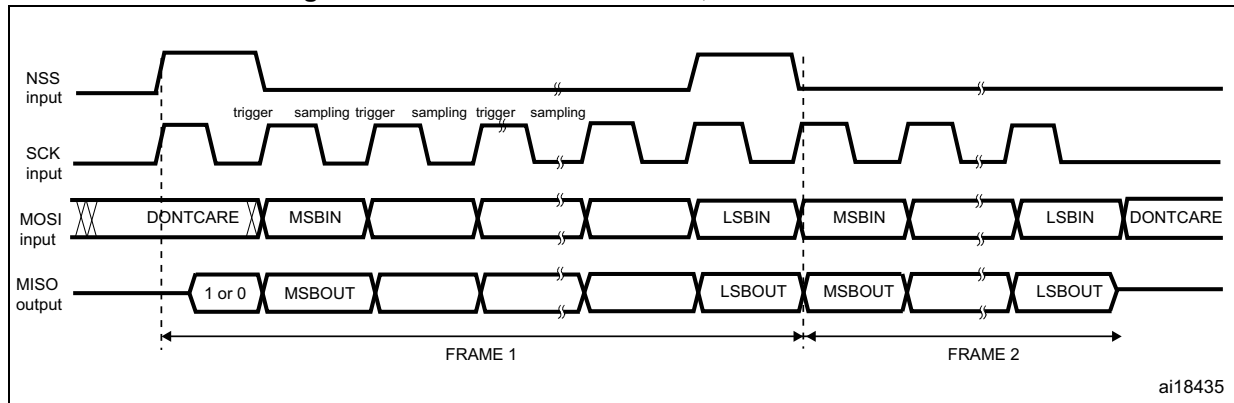
To detect TI frame errors in Slave transmitter only mode by using the Error interrupt (ERRIE = 1), the SPI must be configured in 1-line bidirectional mode by setting BIDIMODE and BIDIOE to 1 in the SPI_CR1 register. When BIDIMODE is set to 0, OVR is set to 1 because the data register is never read and error interrupt are always generated, while when BIDIMODE is set to 1, data are not received and OVR is never set.

Figure 251. TI mode - Slave mode, single transfer



ai18434

Figure 252. TI mode - Slave mode, continuous transfer



25.3.3 Configuring the SPI in master mode

In the master configuration, the serial clock is generated on the SCK pin.

Procedure

1. Select the BR[2:0] bits to define the serial clock baud rate (see SPI_CR1 register).
2. Select the CPOL and CPHA bits to define one of the four relationships between the data transfer and the serial clock (see [Figure 250](#)). This step is not required when the TI mode is selected.
3. Set the DFF bit to define 8- or 16-bit data frame format
4. Configure the LSBFIRST bit in the SPI_CR1 register to define the frame format. This step is not required when the TI mode is selected.
5. If the NSS pin is required in input mode, in hardware mode, connect the NSS pin to a high-level signal during the complete byte transmit sequence. In NSS software mode, set the SSM and SSI bits in the SPI_CR1 register. If the NSS pin is required in output mode, the SSOE bit only should be set. This step is not required when the TI mode is selected.
6. Set the FRF bit in SPI_CR2 to select the TI protocol for serial communications.
7. The MSTR and SPE bits must be set (they remain set only if the NSS pin is connected to a high-level signal).

In this configuration the MOSI pin is a data output and the MISO pin is a data input.

Transmit sequence

The transmit sequence begins when a byte is written in the Tx Buffer.

The data byte is parallel-loaded into the shift register (from the internal bus) during the first bit transmission and then shifted out serially to the MOSI pin MSB first or LSB first depending on the LSBFIRST bit in the SPI_CR1 register. The TXE flag is set on the transfer of data from the Tx Buffer to the shift register and an interrupt is generated if the TXEIE bit in the SPI_CR2 register is set.

Receive sequence

For the receiver, when data transfer is complete:

- The data in the shift register is transferred to the RX Buffer and the RXNE flag is set
- An interrupt is generated if the RXNEIE bit is set in the SPI_CR2 register

At the last sampling clock edge the RXNE bit is set, a copy of the data byte received in the shift register is moved to the Rx buffer. When the SPI_DR register is read, the SPI peripheral returns this buffered value.

Clearing the RXNE bit is performed by reading the SPI_DR register.

A continuous transmit stream can be maintained if the next data to be transmitted is put in the Tx buffer once the transmission is started. Note that TXE flag should be '1' before any attempt to write the Tx buffer is made.

Note: When a master is communicating with SPI slaves which need to be de-selected between transmissions, the NSS pin must be configured as GPIO or another GPIO must be used and toggled by software.

SPI TI protocol in master mode

In master mode, the SPI interface is compatible with the TI protocol. The FRF bit of the SPI_CR2 register can be used to configure the master SPI serial communications to be compliant with this protocol.

The clock polarity and phase are forced to conform to the TI protocol requirements whatever the values set in the SPI_CR1 register. NSS management is also specific to the TI protocol which makes the configuration of NSS management through the SPI_CR1 and SPI_CR2 registers (SSM, SSI, SSOE) transparent for the user.

Figure 253 and Figure 254 show the SPI master communication waveforms when the TI mode is selected in master mode.

Figure 253. TI mode - master mode, single transfer

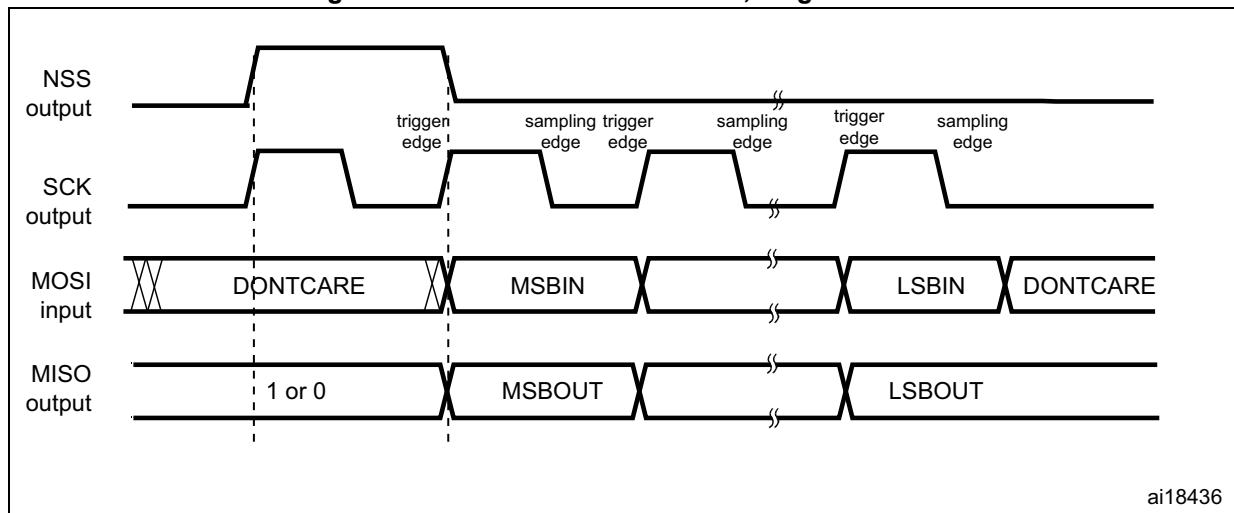
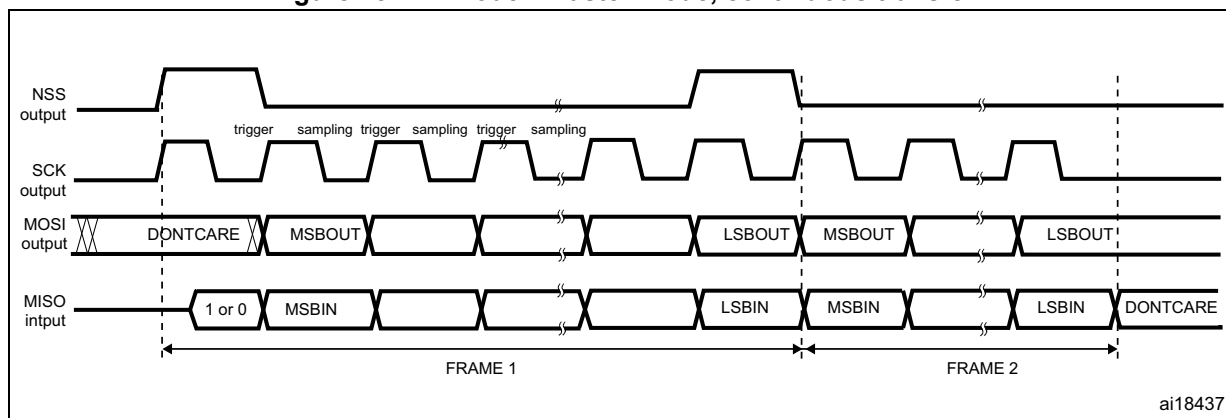


Figure 254. TI mode - master mode, continuous transfer



25.3.4 Configuring the SPI for half-duplex communication

The SPI is capable of operating in half-duplex mode in 2 configurations.

- 1 clock and 1 bidirectional data wire
- 1 clock and 1 data wire (receive-only or transmit-only)

1 clock and 1 bidirectional data wire (BIDIMODE = 1)

This mode is enabled by setting the BIDIMODE bit in the SPI_CR1 register. In this mode SCK is used for the clock and MOSI in master or MISO in slave mode is used for data communication. The transfer direction (Input/Output) is selected by the BIDIOE bit in the SPI_CR1 register. When this bit is 1, the data line is output otherwise it is input.

1 clock and 1 unidirectional data wire (BIDIMODE = 0)

In this mode, the application can use the SPI either in transmit-only mode or in receive-only mode.

- Transmit-only mode is similar to full-duplex mode (BIDIMODE=0, RXONLY=0): the data are transmitted on the transmit pin (MOSI in master mode or MISO in slave mode) and the receive pin (MISO in master mode or MOSI in slave mode) can be used as a general-purpose IO. In this case, the application just needs to ignore the Rx buffer (if the data register is read, it does not contain the received value).
- In receive-only mode, the application can disable the SPI output function by setting the RXONLY bit in the SPI_CR1 register. In this case, it frees the transmit IO pin (MOSI in master mode or MISO in slave mode), so it can be used for other purposes.

To start the communication in receive-only mode, configure and enable the SPI:

- In master mode, the communication starts immediately and stops when the SPE bit is cleared and the current reception stops. There is no need to read the BSY flag in this mode. It is always set when an SPI communication is ongoing.
- In slave mode, the SPI continues to receive as long as the NSS is pulled down (or the SSI bit is cleared in NSS software mode) and the SCK is running.

25.3.5 Data transmission and reception procedures

Rx and Tx buffers

In reception, data are received and then stored into an internal Rx buffer while In transmission, data are first stored into an internal Tx buffer before being transmitted.

A read access of the SPI_DR register returns the Rx buffered value whereas a write access to the SPI_DR stores the written data into the Tx buffer.

Start sequence in master mode

- In full-duplex (BIDIMODE=0 and RXONLY=0)
 - The sequence begins when data are written into the SPI_DR register (Tx buffer).
 - The data are then parallel loaded from the Tx buffer into the 8-bit shift register during the first bit transmission and then shifted out serially to the MOSI pin.
 - At the same time, the received data on the MISO pin is shifted in serially to the 8-bit shift register and then parallel loaded into the SPI_DR register (Rx buffer).
- In unidirectional receive-only mode (BIDIMODE=0 and RXONLY=1)
 - The sequence begins as soon as SPE=1
 - Only the receiver is activated and the received data on the MISO pin are shifted in serially to the 8-bit shift register and then parallel loaded into the SPI_DR register (Rx buffer).
- In bidirectional mode, when transmitting (BIDIMODE=1 and BIDIOE=1)
 - The sequence begins when data are written into the SPI_DR register (Tx buffer).
 - The data are then parallel loaded from the Tx buffer into the 8-bit shift register during the first bit transmission and then shifted out serially to the MOSI pin.
 - No data are received.
- In bidirectional mode, when receiving (BIDIMODE=1 and BIDIOE=0)
 - The sequence begins as soon as SPE=1 and BIDIOE=0.
 - The received data on the MOSI pin are shifted in serially to the 8-bit shift register and then parallel loaded into the SPI_DR register (Rx buffer).
 - The transmitter is not activated and no data are shifted out serially to the MOSI pin.

Start sequence in slave mode

- In full-duplex mode (BIDIMODE=0 and RXONLY=0)
 - The sequence begins when the slave device receives the clock signal and the first bit of the data on its MOSI pin. The 7 remaining bits are loaded into the shift register.
 - At the same time, the data are parallel loaded from the Tx buffer into the 8-bit shift register during the first bit transmission, and then shifted out serially to the MISO pin. The software must have written the data to be sent before the SPI master device initiates the transfer.
- In unidirectional receive-only mode (BIDIMODE=0 and RXONLY=1)
 - The sequence begins when the slave device receives the clock signal and the first bit of the data on its MOSI pin. The 7 remaining bits are loaded into the shift register.

- The transmitter is not activated and no data are shifted out serially to the MISO pin.
- In bidirectional mode, when transmitting (BIDIMODE=1 and BIDIOE=1)
 - The sequence begins when the slave device receives the clock signal and the first bit in the Tx buffer is transmitted on the MISO pin.
 - The data are then parallel loaded from the Tx buffer into the 8-bit shift register during the first bit transmission and then shifted out serially to the MISO pin. The software must have written the data to be sent before the SPI master device initiates the transfer.
 - No data are received.
- In bidirectional mode, when receiving (BIDIMODE=1 and BIDIOE=0)
 - The sequence begins when the slave device receives the clock signal and the first bit of the data on its MISO pin.
 - The received data on the MISO pin are shifted in serially to the 8-bit shift register and then parallel loaded into the SPI_DR register (Rx buffer).
 - The transmitter is not activated and no data are shifted out serially to the MISO pin.

Handling data transmission and reception

The TXE flag (Tx buffer empty) is set when the data are transferred from the Tx buffer to the shift register. It indicates that the internal Tx buffer is ready to be loaded with the next data. An interrupt can be generated if the TXEIE bit in the SPI_CR2 register is set. Clearing the TXE bit is performed by writing to the SPI_DR register.

Note: *The software must ensure that the TXE flag is set to 1 before attempting to write to the Tx buffer. Otherwise, it overwrites the data previously written to the Tx buffer.*

The RXNE flag (Rx buffer not empty) is set on the last sampling clock edge, when the data are transferred from the shift register to the Rx buffer. It indicates that data are ready to be read from the SPI_DR register. An interrupt can be generated if the RXNEIE bit in the SPI_CR2 register is set. Clearing the RXNE bit is performed by reading the SPI_DR register.

For some configurations, the BSY flag can be used during the last data transfer to wait until the completion of the transfer.

Full-duplex transmit and receive procedure in master or slave mode (BIDIMODE=0 and RXONLY=0)

The software has to follow this procedure to transmit and receive data (see [Figure 255](#) and [Figure 256](#)):

1. Enable the SPI by setting the SPE bit to 1.
2. Write the first data item to be transmitted into the SPI_DR register (this clears the TXE flag).
3. Wait until TXE=1 and write the second data item to be transmitted. Then wait until RXNE=1 and read the SPI_DR to get the first received data item (this clears the RXNE bit). Repeat this operation for each data item to be transmitted/received until the n–1 received data.
4. Wait until RXNE=1 and read the last received data.
5. Wait until TXE=1 and then wait until BSY=0 before disabling the SPI.

This procedure can also be implemented using dedicated interrupt subroutines launched at each rising edges of the RXNE or TXE flag.

Figure 255. TXE/RXNE/BSY behavior in Master / full-duplex mode (BIDIMODE=0 and RXONLY=0) in case of continuous transfers

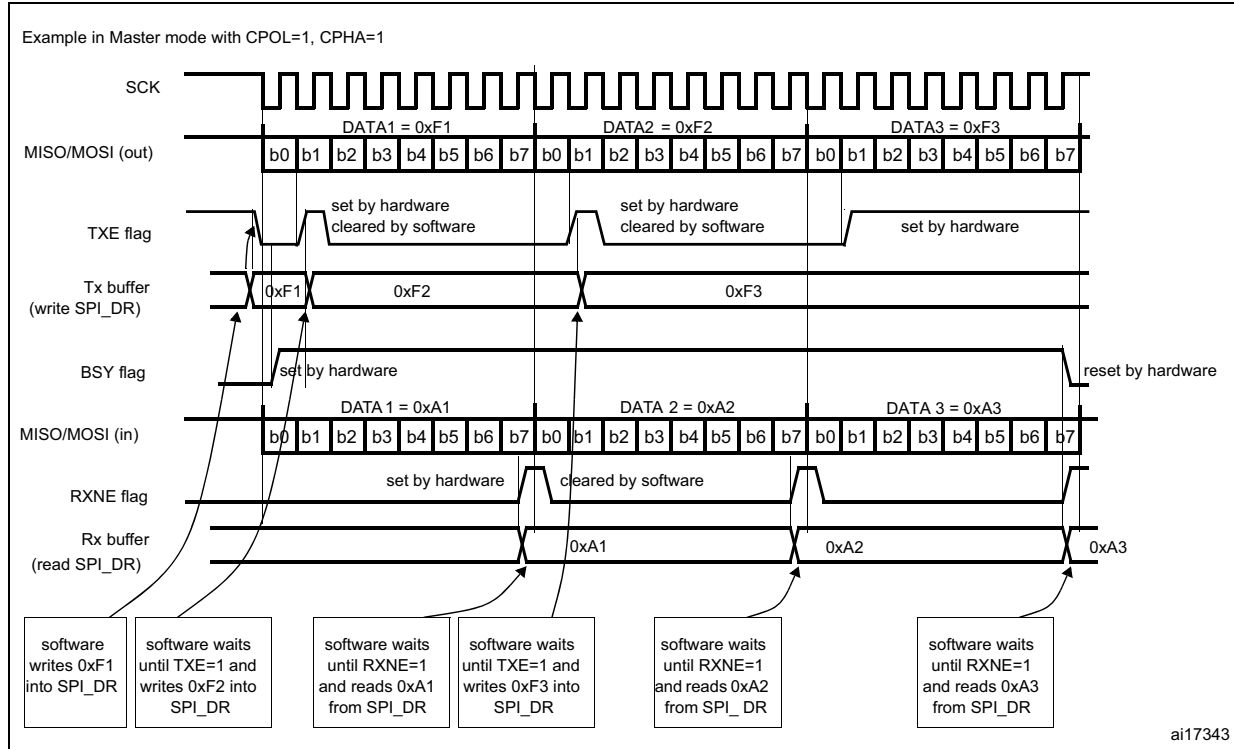
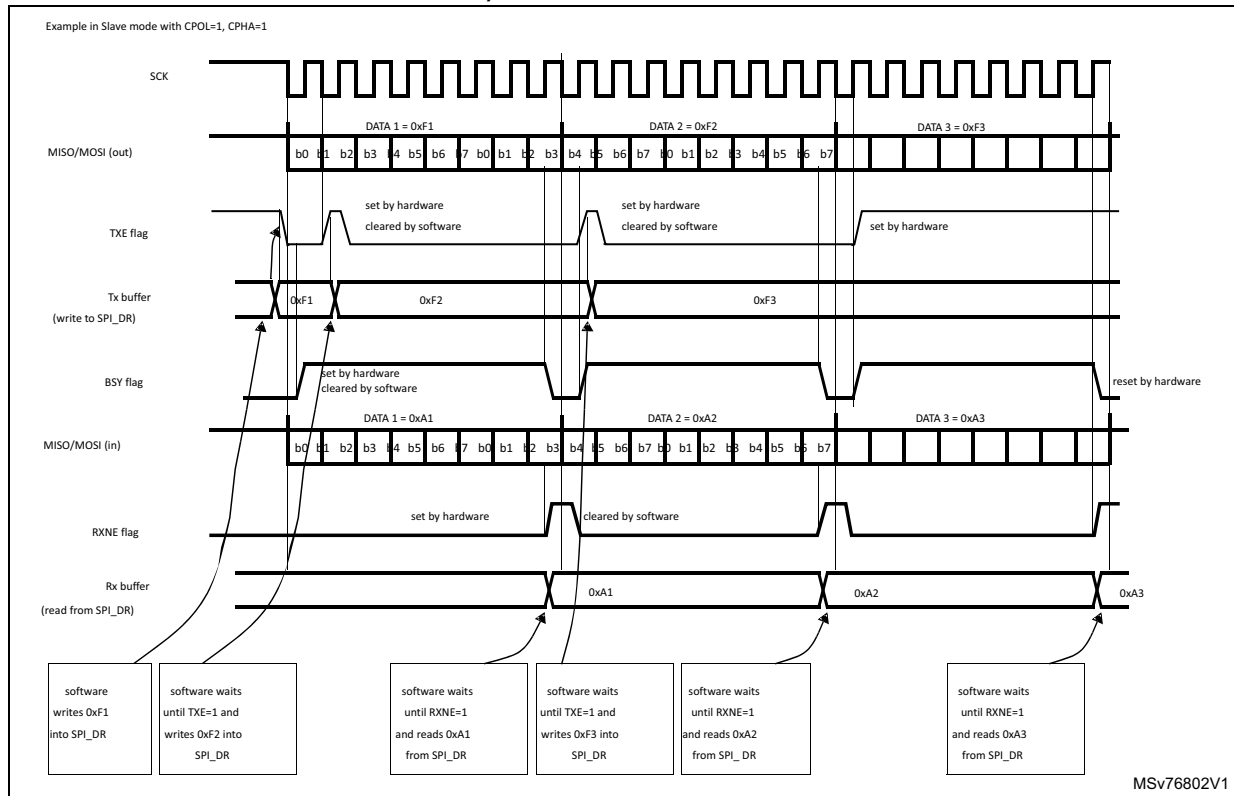


Figure 256. TXE/RXNE/BSY behavior in Slave / full-duplex mode (BIDIMODE=0, RXONLY=0) in case of continuous transfers



Transmit-only procedure (BIDIMODE=0 RXONLY=0)

In this mode, the procedure can be reduced as described below and the BSY bit can be used to wait until the completion of the transmission (see [Figure 257](#) and [Figure 258](#)).

1. Enable the SPI by setting the SPE bit to 1.
2. Write the first data item to send into the SPI_DR register (this clears the TXE bit).
3. Wait until TXE=1 and write the next data item to be transmitted. Repeat this step for each data item to be transmitted.
4. After writing the last data item into the SPI_DR register, wait until TXE=1, then wait until BSY=0, this indicates that the transmission of the last data is complete.

This procedure can be also implemented using dedicated interrupt subroutines launched at each rising edge of the TXE flag.

Note: During discontinuous communications, there is a 2 APB clock period delay between the write operation to SPI_DR and the BSY bit setting. As a consequence, in transmit-only mode, it is mandatory to wait first until TXE is set and then until BSY is cleared after writing the last data.

After transmitting two data items in transmit-only mode, the OVR flag is set in the SPI_SR register since the received data are never read.

Figure 257. TXE/BSY behavior in Master transmit-only mode (BIDIMODE=0 and RXONLY=0) in case of continuous transfers

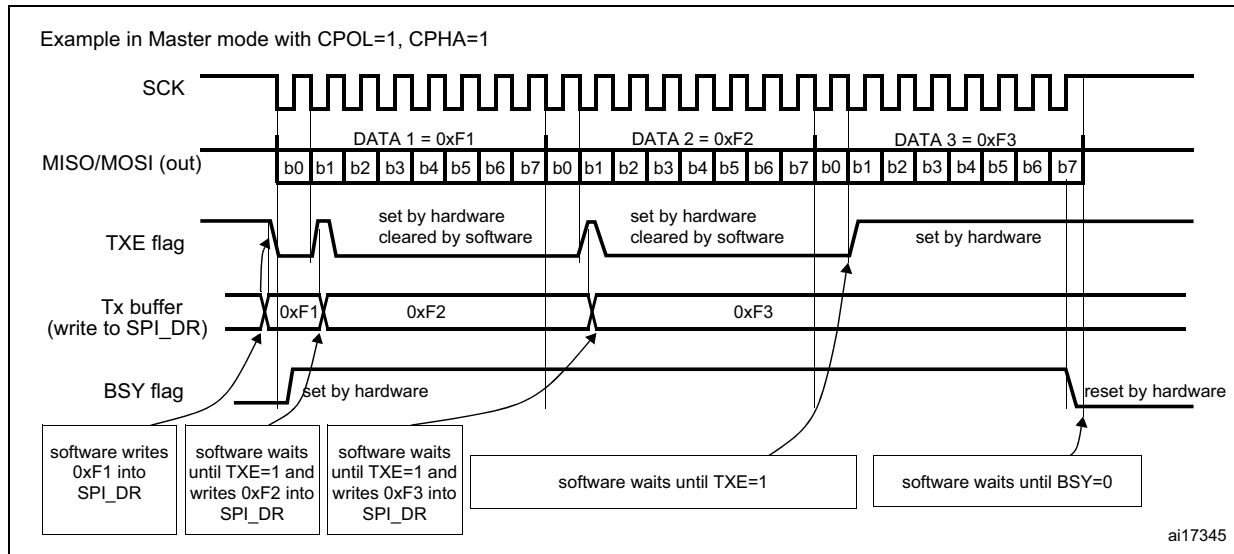
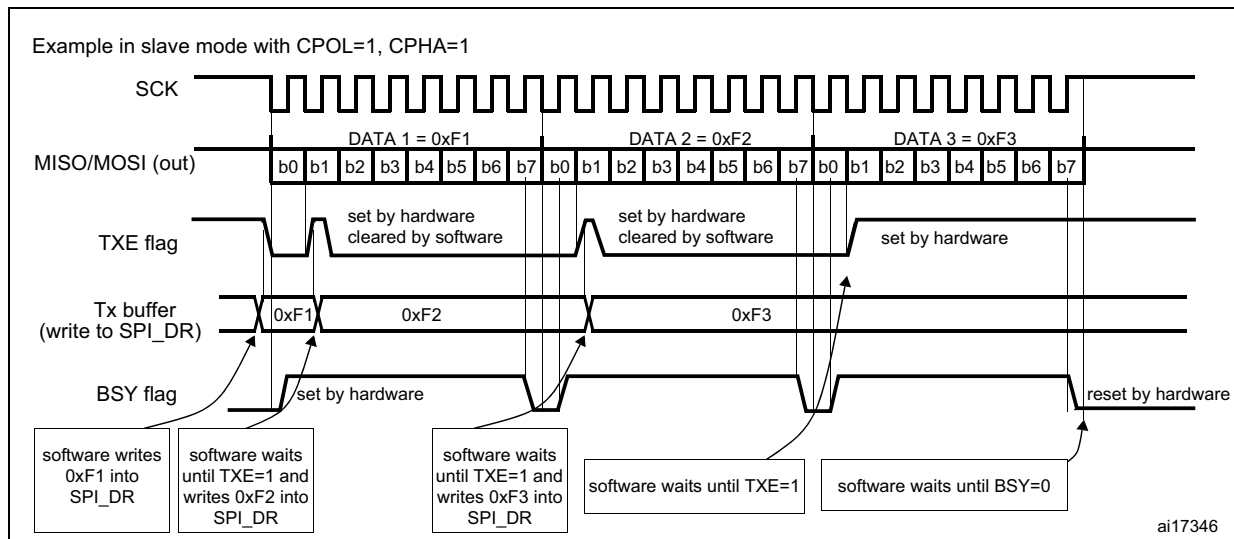


Figure 258. TXE/BSY in Slave transmit-only mode (BIDIMODE=0 and RXONLY=0) in case of continuous transfers



Bidirectional transmit procedure (BIDIMODE=1 and BIDIOE=1)

In this mode, the procedure is similar to the procedure in Transmit-only mode except that the BIDIMODE and BIDIOE bits both have to be set in the SPI_CR2 register before enabling the SPI.

Unidirectional receive-only procedure (BIDIMODE=0 and RXONLY=1)

In this mode, the procedure can be reduced as described below (see [Figure 259](#)):

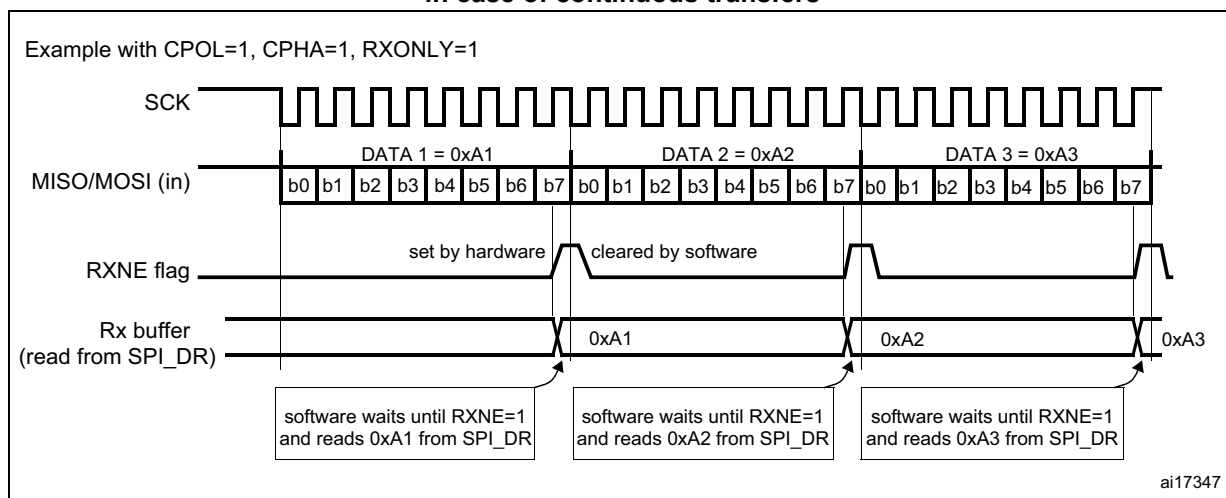
1. Set the RXONLY bit in the SPI_CR1 register.
2. Enable the SPI by setting the SPE bit to 1:

- a) In master mode, this immediately activates the generation of the SCK clock, and data are serially received until the SPI is disabled (SPE=0).
 - b) In slave mode, data are received when the SPI master device drives NSS low and generates the SCK clock.
3. Wait until RXNE=1 and read the SPI_DR register to get the received data (this clears the RXNE bit). Repeat this operation for each data item to be received.

This procedure can also be implemented using dedicated interrupt subroutines launched at each rising edge of the RXNE flag.

Note: If it is required to disable the SPI after the last transfer, follow the recommendation described in [Section 25.3.8](#).

Figure 259. RXNE behavior in receive-only mode (BIDIRMODE=0 and RXONLY=1) in case of continuous transfers



Bidirectional receive procedure (BIDIMODE=1 and BIDIOE=0)

In this mode, the procedure is similar to the Receive-only mode procedure except that the BIDIMODE bit has to be set and the BIDIOE bit cleared in the SPI_CR2 register before enabling the SPI.

Continuous and discontinuous transfers

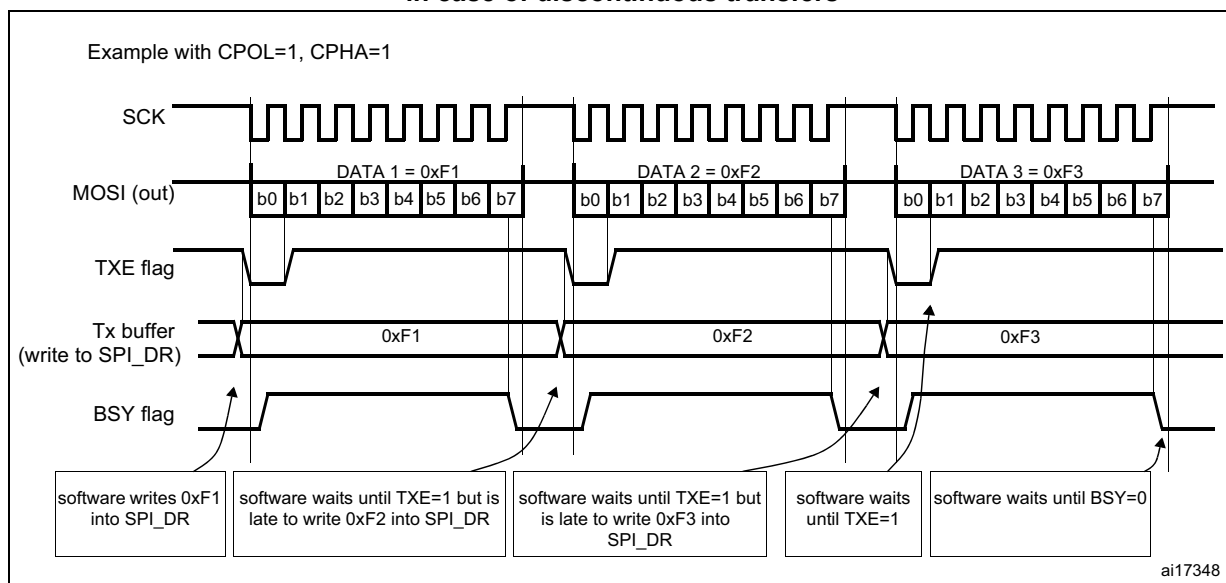
When transmitting data in master mode, if the software is fast enough to detect each rising edge of TXE (or TXE interrupt) and to immediately write to the SPI_DR register before the ongoing data transfer is complete, the communication is said to be continuous. In this case, there is no discontinuity in the generation of the SPI clock between each data item and the BSY bit is never cleared between each data transfer.

On the contrary, if the software is not fast enough, this can lead to some discontinuities in the communication. In this case, the BSY bit is cleared between each data transmission (see [Figure 260](#)).

In Master receive-only mode (RXONLY=1), the communication is always continuous and the BSY flag is always read at 1.

In slave mode, the continuity of the communication is decided by the SPI master device. In any case, even if the communication is continuous, the BSY flag goes low between each transfer for a minimum duration of one SPI clock cycle (see [Figure 258](#)).

Figure 260. TXE/BSY behavior when transmitting (BIDIRMODE=0 and RXONLY=0) in case of discontinuous transfers



25.3.6 CRC calculation

A CRC calculator has been implemented for communication reliability. Separate CRC calculators are implemented for transmitted data and received data. The CRC is calculated using a programmable polynomial serially on each bit. It is calculated on the sampling clock edge defined by the CPHA and CPOL bits in the SPI_CR1 register.

Note: This SPI offers two kinds of CRC calculation standard which depend directly on the data frame format selected for the transmission and/or reception: 8-bit data (CR8) and 16-bit data (CRC16).

CRC calculation is enabled by setting the CRCEN bit in the SPI_CR1 register. This action resets the CRC registers (SPI_RXCRCR and SPI_TXCRCR). In full duplex or transmitter only mode, when the transfers are managed by the software (CPU mode), it is necessary to write the bit CRCNEXT immediately after the last data to be transferred is written to the SPI_DR. At the end of this last data transfer, the SPI_TXCRCR value is transmitted.

In receive only mode and when the transfers are managed by software (CPU mode), it is necessary to write the CRCNEXT bit after the second last data has been received. The CRC is received just after the last data reception and the CRC check is then performed.

At the end of data and CRC transfers, the CRCERR flag in the SPI_SR register is set if corruption occurs during the transfer.

If data are present in the TX buffer, the CRC value is transmitted only after the transmission of the data byte. During CRC transmission, the CRC calculator is switched off and the register value remains unchanged.

SPI communication using the CRC is possible through the following procedure:

1. Program the CPOL, CPHA, LSBFirst, BR, SSM, SSI and MSTR values.
2. Program the polynomial in the SPI_CRCPR register.
3. Enable the CRC calculation by setting the CRCEN bit in the SPI_CR1 register. This also clears the SPI_RXCRCR and SPI_TXCRCR registers.

4. Enable the SPI by setting the SPE bit in the SPI_CR1 register.
5. Start the communication and sustain the communication until all but one byte or half-word have been transmitted or received.
 - In full duplex or transmitter-only mode, when the transfers are managed by software, when writing the last byte or half word to the Tx buffer, set the CRCNEXT bit in the SPI_CR1 register to indicate that the CRC is transmitted after the transmission of the last byte.
 - In receiver only mode, set the bit CRCNEXT just after the reception of the second to last data to prepare the SPI to enter in CRC Phase at the end of the reception of the last data. CRC calculation is frozen during the CRC transfer.
6. After the transfer of the last byte or half word, the SPI enters the CRC transfer and check phase. In full duplex mode or receiver-only mode, the received CRC is compared to the SPI_RXCRCR value. If the value does not match, the CRCERR flag in SPI_SR is set and an interrupt can be generated when the ERRIE bit in the SPI_CR2 register is set.

Note: When the SPI is in slave mode, be careful to enable CRC calculation only when the clock is stable, that is, when the clock is in the steady state. If not, a wrong CRC calculation may be done. In fact, the CRC is sensitive to the SCK slave input clock as soon as CRCEN is set, and this, whatever the value of the SPE bit.

With high bitrate frequencies, be careful when transmitting the CRC. As the number of used CPU cycles has to be as low as possible in the CRC transfer phase, it is forbidden to call software functions in the CRC transmission sequence to avoid errors in the last data and CRC reception. In fact, CRCNEXT bit has to be written before the end of the transmission/reception of the last data.

For high bit rate frequencies, it is advised to use the DMA mode to avoid the degradation of the SPI speed performance due to CPU accesses impacting the SPI bandwidth.

When the devices are configured as slaves and the NSS hardware mode is used, the NSS pin needs to be kept low between the data phase and the CRC phase.

When the SPI is configured in slave mode with the CRC feature enabled, CRC calculation takes place even if a high level is applied on the NSS pin. This may happen for example in case of a multislave environment where the communication master addresses slaves alternately.

Between a slave deselection (high level on NSS) and a new slave selection (low level on NSS), the CRC value should be cleared on both master and slave sides in order to resynchronize the master and slave for their respective CRC calculation.

To clear the CRC, follow the procedure below:

1. Disable SPI (SPE = 0)
2. Clear the CRCEN bit
3. Set the CRCEN bit
4. Enable the SPI (SPE = 1)

25.3.7 Status flags

Four status flags are provided for the application to completely monitor the state of the SPI bus.

Tx buffer empty flag (TXE)

When it is set, this flag indicates that the Tx buffer is empty and the next data to be transmitted can be loaded into the buffer. The TXE flag is cleared when writing to the SPI_DR register.

Rx buffer not empty (RXNE)

When set, this flag indicates that there are valid received data in the Rx buffer. It is cleared when SPI_DR is read.

BUSY flag

This BSY flag is set and cleared by hardware (writing to this flag has no effect). The BSY flag indicates the state of the communication layer of the SPI.

When BSY is set, it indicates that the SPI is busy communicating. There is one exception in master mode / bidirectional receive mode (MSTR=1 and BDM=1 and BDOE=0) where the BSY flag is kept low during reception.

The BSY flag is useful to detect the end of a transfer if the software wants to disable the SPI and enter Halt mode (or disable the peripheral clock). This avoids corrupting the last transfer. For this, the procedure described below must be strictly respected.

The BSY flag is also useful to avoid write collisions in a multimaster system.

The BSY flag is set when a transfer starts, with the exception of master mode / bidirectional receive mode (MSTR=1 and BDM=1 and BDOE=0).

It is cleared:

- when a transfer is finished (except in master mode if the communication is continuous)
- when the SPI is disabled
- when a master mode fault occurs (MODF=1)

When communication is not continuous, the BSY flag is low between each communication.

When communication is continuous:

- in master mode, the BSY flag is kept high during all the transfers
- in slave mode, the BSY flag goes low for one SPI clock cycle between each transfer

Note: Do not use the BSY flag to handle each data transmission or reception. It is better to use the TXE and RXNE flags instead.

25.3.8 Disabling the SPI

When a transfer is terminated, the application can stop the communication by disabling the SPI peripheral. This is done by clearing the SPE bit.

For some configurations, disabling the SPI and entering the Halt mode while a transfer is ongoing can cause the current transfer to be corrupted and/or the BSY flag might become unreliable.

To avoid any of those effects, it is recommended to respect the following procedure when disabling the SPI:

In master or slave full-duplex mode (BIDIMODE=0, RXONLY=0)

1. Wait until RXNE=1 to receive the last data
2. Wait until TXE=1
3. Then wait until BSY=0
4. Disable the SPI (SPE=0) and, eventually, enter the Halt mode (or disable the peripheral clock)

In master or slave unidirectional transmit-only mode (BIDIMODE=0, RXONLY=0) or bidirectional transmit mode (BIDIMODE=1, BIDIOE=1)

After the last data is written into the SPI_DR register:

1. Wait until TXE=1
2. Then wait until BSY=0
3. Disable the SPI (SPE=0) and, eventually, enter the Halt mode (or disable the peripheral clock)

In master unidirectional receive-only mode (MSTR=1, BIDIMODE=0, RXONLY=1) or bidirectional receive mode (MSTR=1, BIDIMODE=1, BIDIOE=0)

This case must be managed in a particular way to ensure that the SPI does not initiate a new transfer. The sequence below is valid only for SPI Motorola configuration (FRF bit set to 0):

1. Wait for the second to last occurrence of RXNE=1 (n-1)
2. Then wait for one SPI clock cycle (using a software loop) before disabling the SPI (SPE=0)
3. Then wait for the last RXNE=1 before entering the Halt mode (or disabling the peripheral clock)

When the SPI is configured in TI mode (Bit FRF set to 1), the following procedure has to be respected to avoid generating an undesired pulse on NSS when the SPI is disabled:

1. Wait for the second to last occurrence of RXNE = 1 (n-1).
2. Disable the SPI (SPE = 0) in the following window frame using a software loop:
 - After at least one SPI clock cycle,
 - Before the beginning of the LSB data transfer.

Note: In master bidirectional receive mode (MSTR=1 and BDM=1 and BDOE=0), the BSY flag is kept low during transfers.

In slave receive-only mode (MSTR=0, BIDIMODE=0, RXONLY=1) or bidirectional receive mode (MSTR=0, BIDIMODE=1, BIDIOE=0)

1. You can disable the SPI (write SPE=1) at any time: the current transfer completes before the SPI is effectively disabled
2. Then, if you want to enter the Halt mode, you must first wait until BSY = 0 before entering the Halt mode (or disabling the peripheral clock).

25.3.9 SPI communication using DMA (direct memory addressing)

To operate at its maximum speed, the SPI needs to be fed with the data for transmission and the data received on the Rx buffer should be read to avoid overrun. To facilitate the

transfers, the SPI features a DMA capability implementing a simple request/acknowledge protocol.

A DMA access is requested when the enable bit in the SPI_CR2 register is enabled. Separate requests must be issued to the Tx and Rx buffers (see [Figure 261](#) and [Figure 262](#)):

- In transmission, a DMA request is issued each time TXE is set to 1. The DMA then writes to the SPI_DR register (this clears the TXE flag).
- In reception, a DMA request is issued each time RXNE is set to 1. The DMA then reads the SPI_DR register (this clears the RXNE flag).

When the SPI is used only to transmit data, it is possible to enable only the SPI Tx DMA channel. In this case, the OVR flag is set because the data received are not read.

When the SPI is used only to receive data, it is possible to enable only the SPI Rx DMA channel.

In transmission mode, when the DMA has written all the data to be transmitted (flag TCIF is set in the DMA_ISR register), the BSY flag can be monitored to ensure that the SPI communication is complete. This is required to avoid corrupting the last transmission before disabling the SPI or entering the Stop mode. The software must first wait until TXE=1 and then until BSY=0.

Note: During discontinuous communications, there is a 2 APB clock period delay between the write operation to SPI_DR and the BSY bit setting. As a consequence, it is mandatory to wait first until TXE=1 and then until BSY=0 after writing the last data.

Figure 261. Transmission using DMA

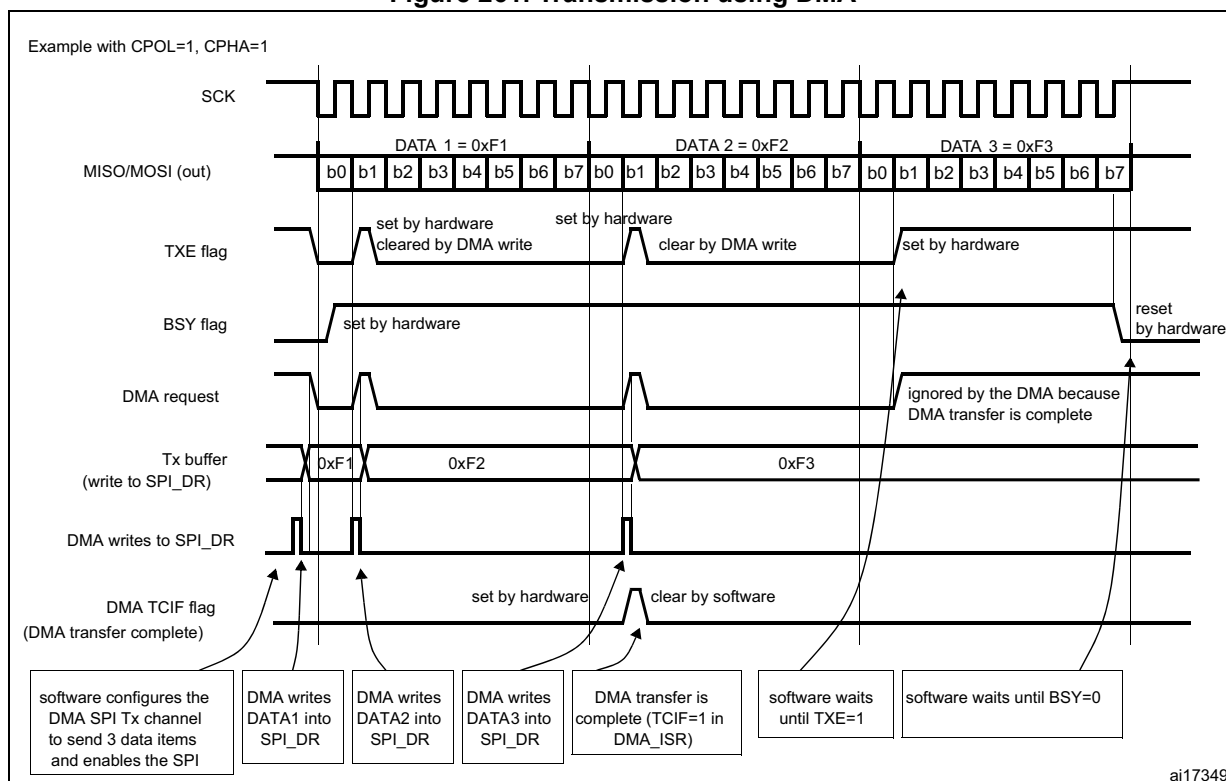
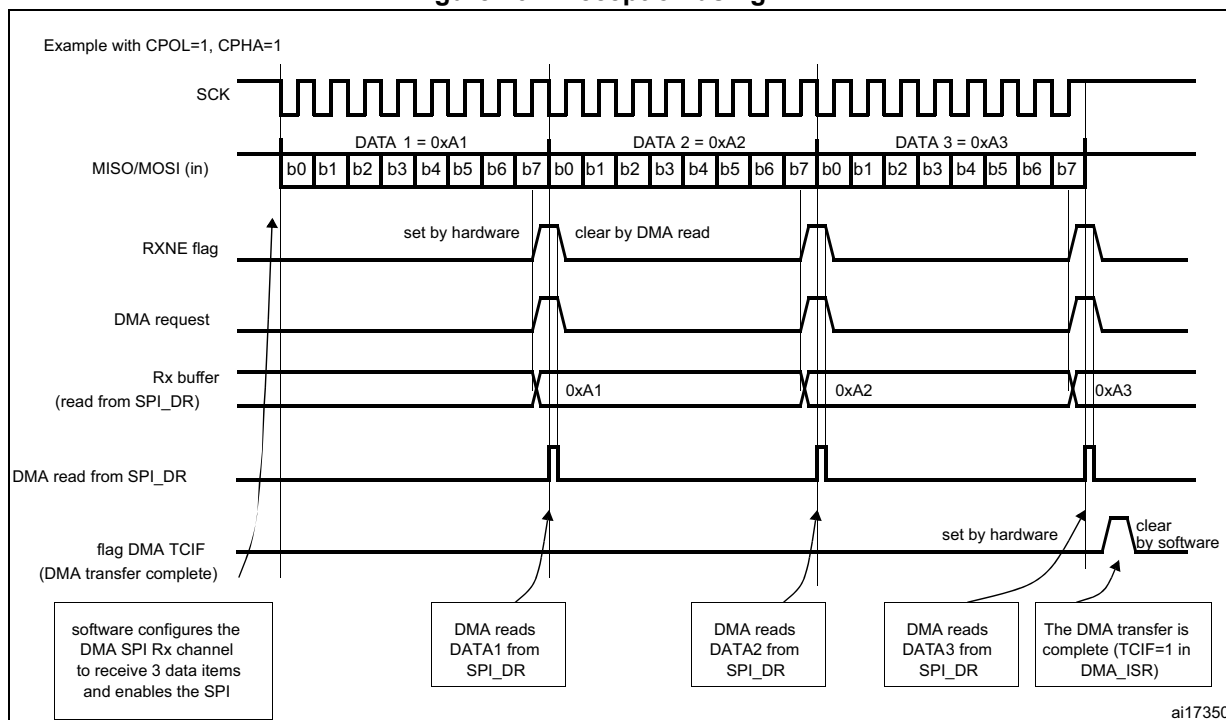


Figure 262. Reception using DMA



DMA capability with CRC

When SPI communication is enabled with CRC communication and DMA mode, the transmission and reception of the CRC at the end of communication are automatic that is without using the bit CRCNEXT. After the CRC reception, the CRC must be read in the SPI_DR register to clear the RXNE flag.

At the end of data and CRC transfers, the CRCERR flag in SPI_SR is set if corruption occurs during the transfer.

25.3.10 Error flags

Master mode fault (MODF)

Master mode fault occurs when the master device has its NSS pin pulled low (in NSS hardware mode) or SSI bit low (in NSS software mode), this automatically sets the MODF bit. Master mode fault affects the SPI peripheral in the following ways:

- The MODF bit is set and an SPI interrupt is generated if the ERRIE bit is set.
- The SPE bit is cleared. This blocks all output from the device and disables the SPI interface.
- The MSTR bit is cleared, thus forcing the device into slave mode.

Use the following software sequence to clear the MODF bit:

1. Make a read or write access to the SPI_SR register while the MODF bit is set.
2. Then write to the SPI_CR1 register.

To avoid any multiple slave conflicts in a system comprising several MCUs, the NSS pin must be pulled high during the MODF bit clearing sequence. The SPE and MSTR bits can be restored to their original state after this clearing sequence.

As a security, hardware does not allow the setting of the SPE and MSTR bits while the MODF bit is set.

In a slave device the MODF bit cannot be set. However, in a multimaster configuration, the device can be in slave mode with this MODF bit set. In this case, the MODF bit indicates that there might have been a multimaster conflict for system control. An interrupt routine can be used to recover cleanly from this state by performing a reset or returning to a default state.

Overrun condition

An overrun condition occurs when the master device has sent data bytes and the slave device has not cleared the RXNE bit resulting from the previous data byte transmitted. When an overrun condition occurs:

- the OVR bit is set and an interrupt is generated if the ERRIE bit is set.

In this case, the receiver buffer contents are not updated with the newly received data from the master device. A read from the SPI_DR register returns this byte. All other subsequently transmitted bytes are lost.

Clearing the OVR bit is done by a read from the SPI_DR register followed by a read access to the SPI_SR register.

CRC error

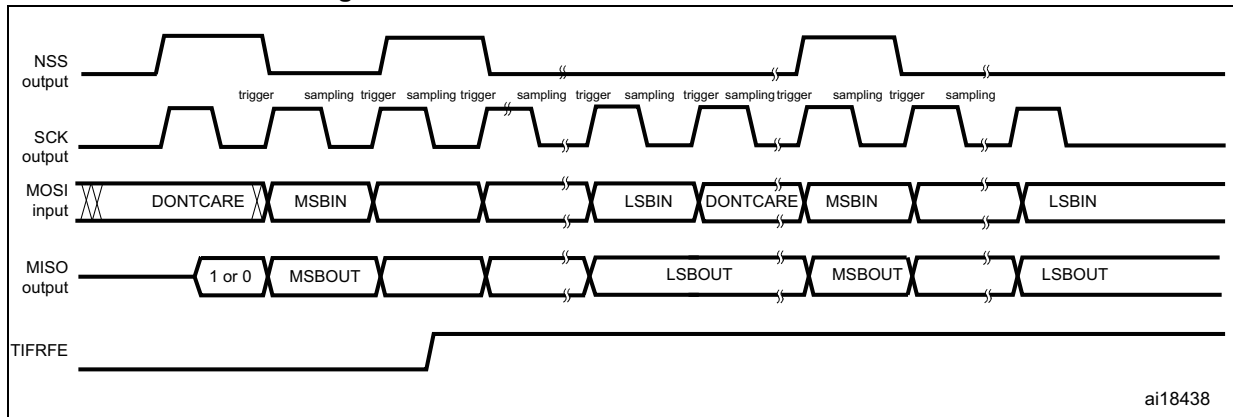
This flag is used to verify the validity of the value received when the CRCEN bit in the SPI_CR1 register is set. The CRCERR flag in the SPI_SR register is set if the value received in the shift register does not match the receiver SPI_RXCRCR value.

TI mode frame format error

A TI mode frame format error is detected when an NSS pulse occurs during an ongoing communication when the SPI is acting in slave mode and configured to conform to the TI mode protocol. When this error occurs, the TIFRFE flag is set in the SPI_SR register. The SPI is not disabled when an error occurs, the NSS pulse is ignored, and the SPI waits for the next NSS pulse before starting a new transfer. The data may be corrupted since the error detection may result in the lost of two data bytes.

The TIFRFE flag is cleared when SPI_SR register is read. If the bit ERRIE is set, an interrupt is generated on the NSS error detection. In this case, the SPI should be disabled because data consistency is no more guaranteed and communications should be reinitiated by the master when the slave SPI is re-enabled.

Figure 263. TI mode frame format error detection



ai18438

25.3.11 SPI interrupts

Table 99. SPI interrupt requests

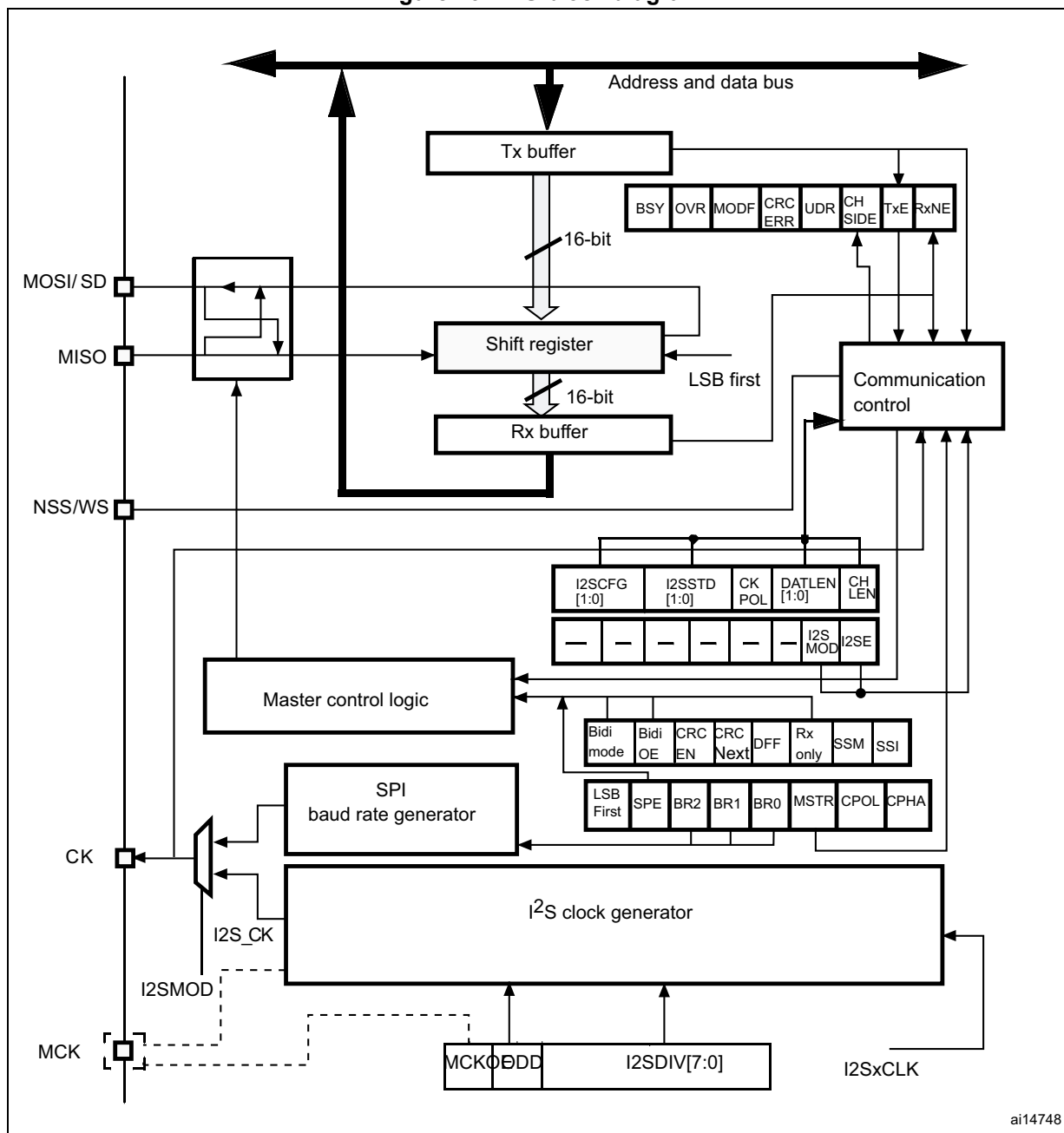
Interrupt event	Event flag	Enable Control bit
Transmit buffer empty flag	TXE	TXEIE
Receive buffer not empty flag	RXNE	RXNEIE
Master mode fault event	MODF	ERRIE
Overrun error	OVR	
CRC error flag	CRCERR	
TI frame format error	TIFRFE	

25.4 I²S functional description

25.4.1 I²S general description

The block diagram of the I²S is shown in *Figure 264*.

Figure 264. I²S block diagram



The SPI could function as an audio I²S interface when the I²S capability is enabled (by setting the I2SMOD bit in the SPI_I2SCFGR register). This interface uses almost the same pins, flags and interrupts as the SPI.

The I²S shares three common pins with the SPI:

- SD: Serial Data (mapped on the MOSI pin) to transmit or receive the two time-multiplexed data channels (in half-duplex mode only).
- WS: Word Select (mapped on the NSS pin) is the data control signal output in master mode and input in slave mode.
- CK: Serial Clock (mapped on the SCK pin) is the serial clock output in master mode and serial clock input in slave mode.

An additional pin could be used when a master clock output is needed for some external audio devices:

- MCK: Master Clock (mapped separately) is used, when the I²S is configured in master mode (and when the MCKOE bit in the SPI_I2SPR register is set), to output this additional clock generated at a preconfigured frequency rate equal to $256 \times F_S$, where F_S is the audio sampling frequency.

The I²S uses its own clock generator to produce the communication clock when it is set in master mode. This clock generator is also the source of the master clock output. Two additional registers are available in I²S mode. One is linked to the clock generator configuration SPI_I2SPR and the other one is a generic I²S configuration register SPI_I2SCFGR (audio standard, slave/master mode, data format, packet frame, clock polarity, etc.).

The SPI_CR1 register and all CRC registers are not used in the I²S mode. Likewise, the SSOE bit in the SPI_CR2 register and the MODF and CRCERR bits in the SPI_SR are not used.

The I²S uses the same SPI register for data transfer (SPI_DR) in 16-bit wide mode.

25.4.2 Supported audio protocols

The three-line bus has to handle only audio data generally time-multiplexed on two channels: the right channel and the left channel. However there is only one 16-bit register for the transmission and the reception. So, it is up to the software to write into the data register the adequate value corresponding to the considered channel side, or to read the data from the data register and to identify the corresponding channel by checking the CHSIDE bit in the SPI_SR register. Channel Left is always sent first followed by the channel right (CHSIDE has no meaning for the PCM protocol).

Four data and packet frames are available. Data may be sent with a format of:

- 16-bit data packed in 16-bit frame
- 16-bit data packed in 32-bit frame
- 24-bit data packed in 32-bit frame
- 32-bit data packed in 32-bit frame

When using 16-bit data extended on 32-bit packet, the first 16 bits (MSB) are the significant bits, the 16-bit LSB is forced to 0 without any need for software action or DMA request (only one read/write operation).

The 24-bit and 32-bit data frames need two CPU read or write operations to/from the SPI_DR or two DMA operations if the DMA is preferred for the application. For 24-bit data frame specifically, the 8 nonsignificant bits are extended to 32 bits with 0-bits (by hardware).

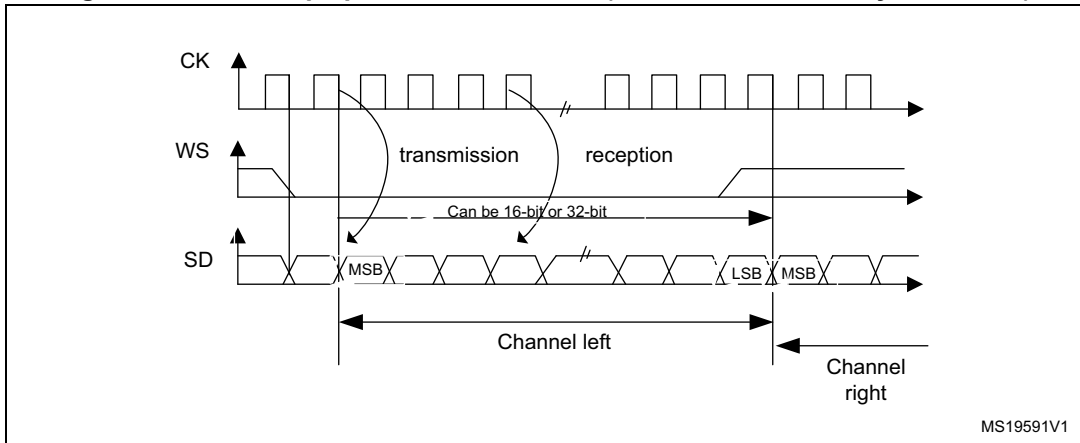
For all data formats and communication standards, the most significant bit is always sent first (MSB first).

The I²S interface supports four audio standards, configurable using the I2SSTD[1:0] and PCMSYNC bits in the SPI_I2SCFGR register.

I²S Philips standard

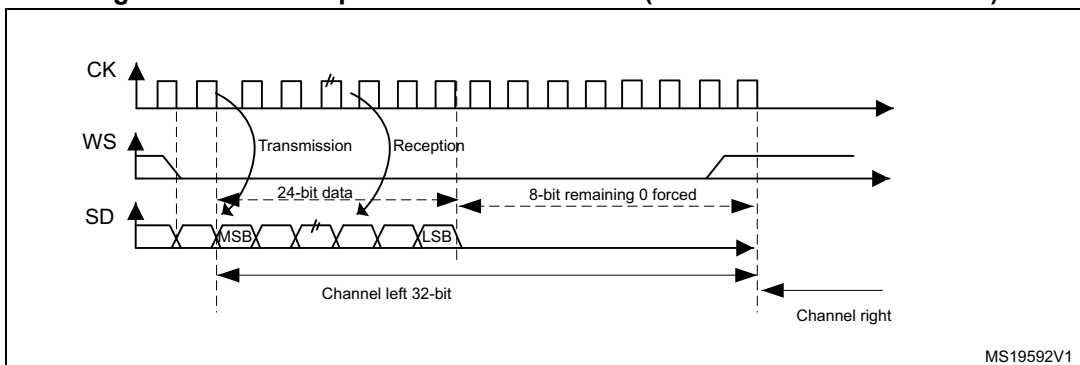
For this standard, the WS signal is used to indicate which channel is being transmitted. It is activated one CK clock cycle before the first bit (MSB) is available.

Figure 265. I²S Philips protocol waveforms (16/32-bit full accuracy, CPOL = 0)



Data are latched on the falling edge of CK (for the transmitter) and are read on the rising edge (for the receiver). The WS signal is also latched on the falling edge of CK.

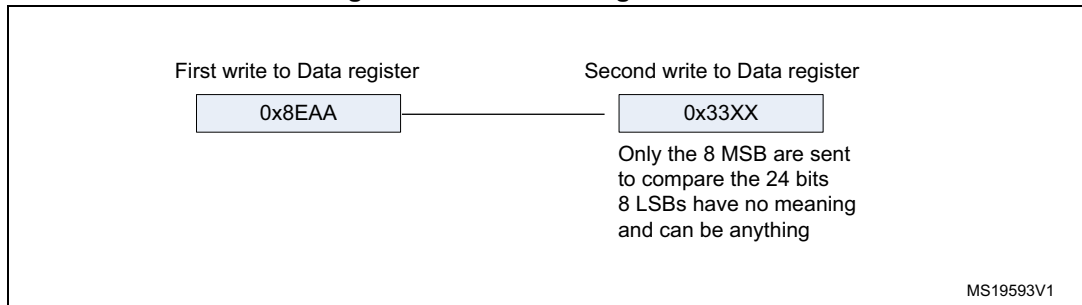
Figure 266. I²S Philips standard waveforms (24-bit frame with CPOL = 0)



This mode needs two write or read operations to/from the SPI_DR.

- In transmission mode:
if 0x8EAA33 has to be sent (24-bit):

Figure 267. Transmitting 0x8EAA33



- In reception mode:
if data 0x8EAA33 is received:

Figure 268. Receiving 0x8EAA33

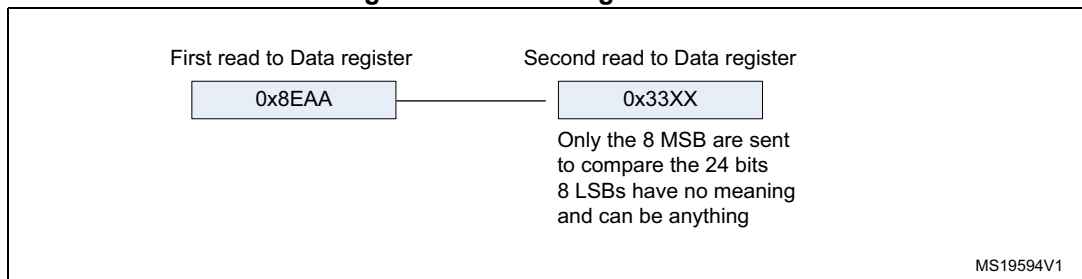
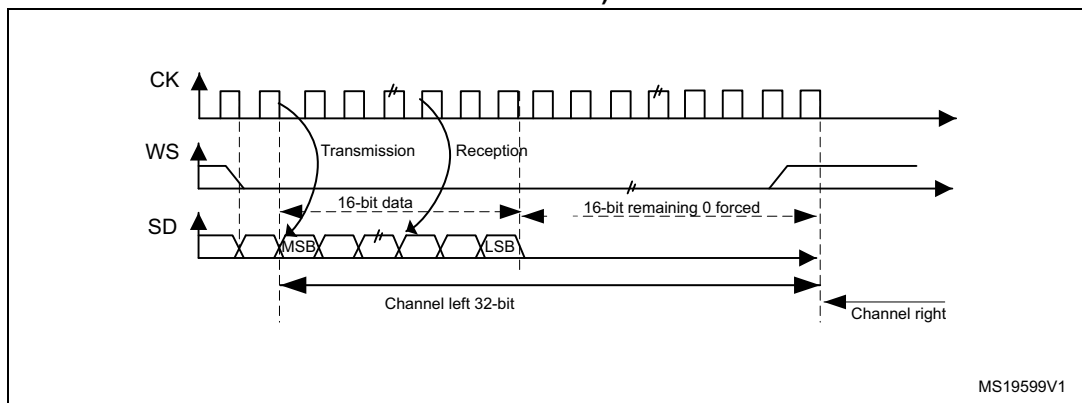


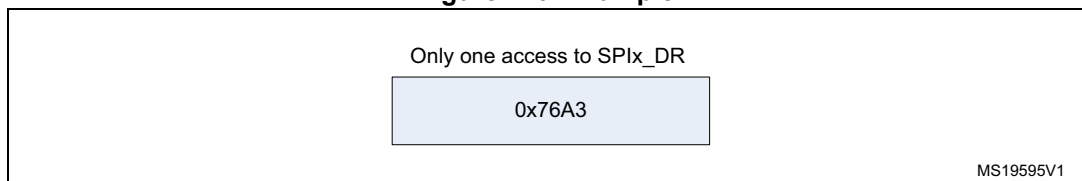
Figure 269. I²S Philips standard (16-bit extended to 32-bit packet frame with CPOL = 0)



When 16-bit data frame extended to 32-bit channel frame is selected during the I²S configuration phase, only one access to SPI_DR is required. The 16 remaining bits are forced by hardware to 0x0000 to extend the data to 32-bit format.

If the data to transmit or the received data are 0x76A3 (0x76A30000 extended to 32-bit), the operation shown in [Figure 270](#) is required.

Figure 270. Example



For transmission, each time an MSB is written to SPI_DR, the TXE flag is set and its interrupt, if allowed, is generated to load SPI_DR with the new value to send. This takes place even if 0x0000 have not yet been sent because it is done by hardware.

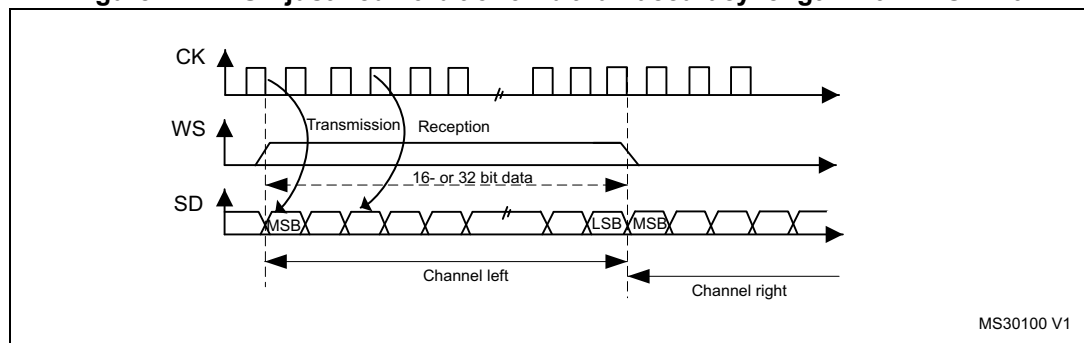
For reception, the RXNE flag is set and its interrupt, if allowed, is generated when the first 16 MSB half-word is received.

In this way, more time is provided between two write or read operations, which prevents underrun or overrun conditions (depending on the direction of the data transfer).

MSB justified standard

For this standard, the WS signal is generated at the same time as the first data bit, which is the MSBit.

Figure 271. MSB justified 16-bit or 32-bit full-accuracy length with CPOL = 0



Data are latched on the falling edge of CK (for transmitter) and are read on the rising edge (for the receiver).

Figure 272. MSB justified 24-bit frame length with CPOL = 0

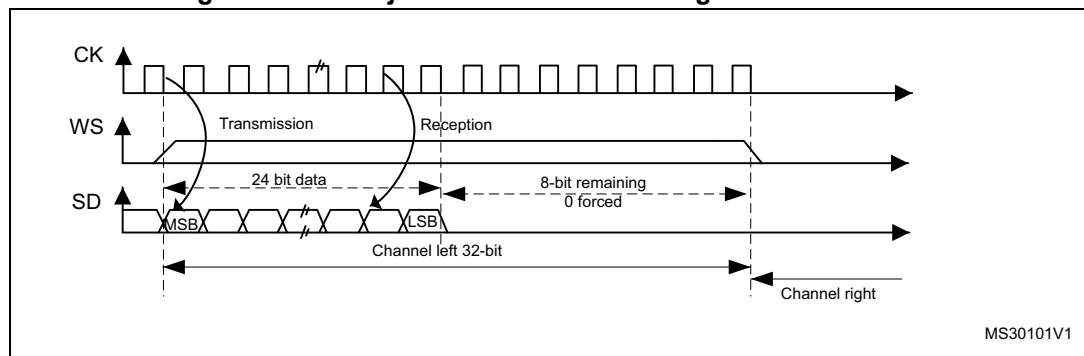
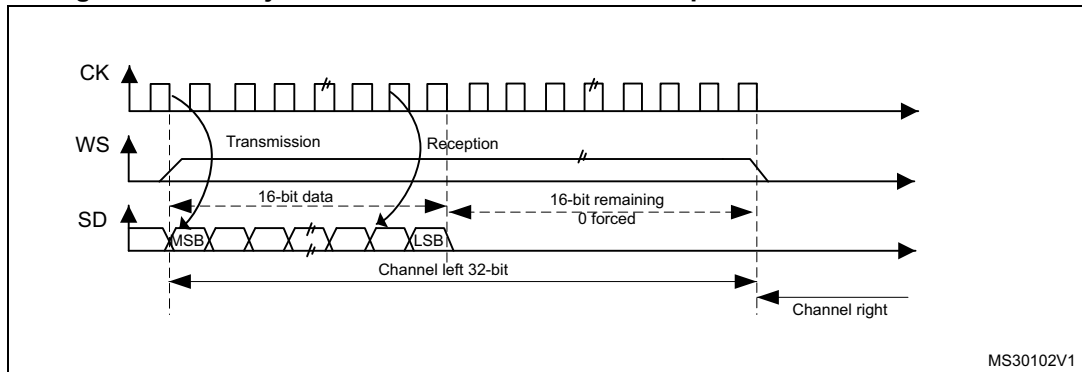


Figure 273. MSB justified 16-bit extended to 32-bit packet frame with CPOL = 0

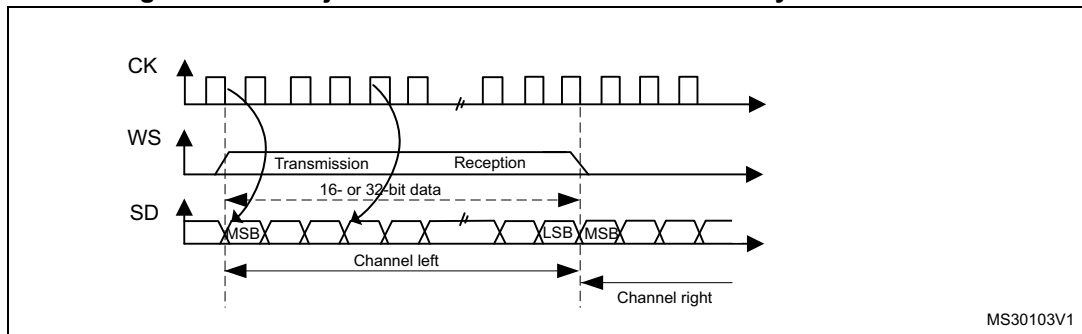


MS30102V1

LSB justified standard

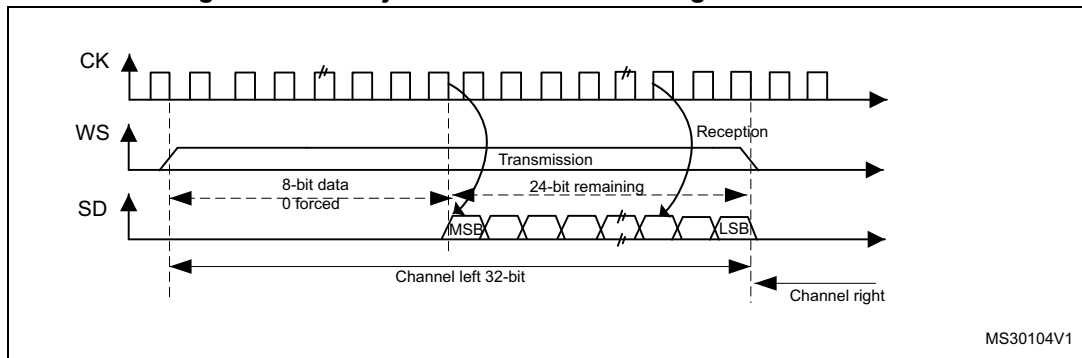
This standard is similar to the MSB justified standard (no difference for the 16-bit and 32-bit full-accuracy frame formats).

Figure 274. LSB justified 16-bit or 32-bit full-accuracy with CPOL = 0



MS30103V1

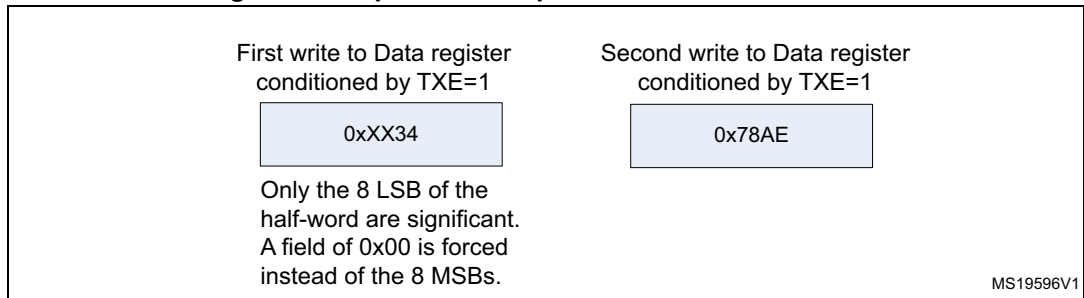
Figure 275. LSB justified 24-bit frame length with CPOL = 0



MS30104V1

- In transmission mode:
If data 0x3478AE have to be transmitted, two write operations to the SPI_DR register are required from software or by DMA. The operations are shown below.

Figure 276. Operations required to transmit 0x3478AE



- In reception mode:
If data 0x3478AE are received, two successive read operations from SPI_DR are required on each RXNE event.

Figure 277. Operations required to receive 0x3478AE

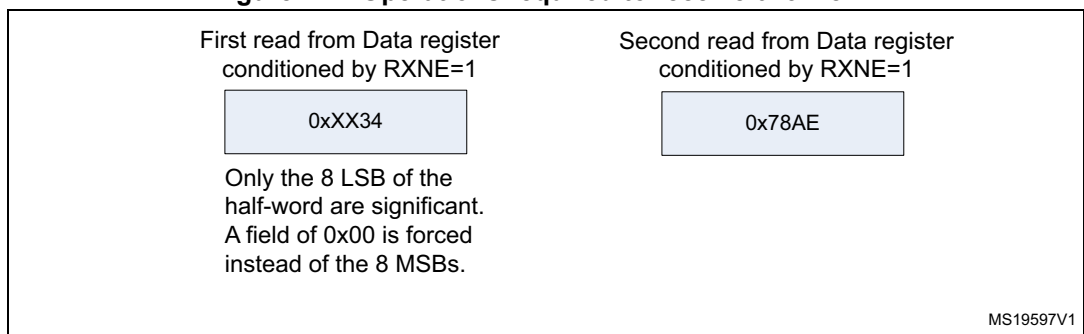
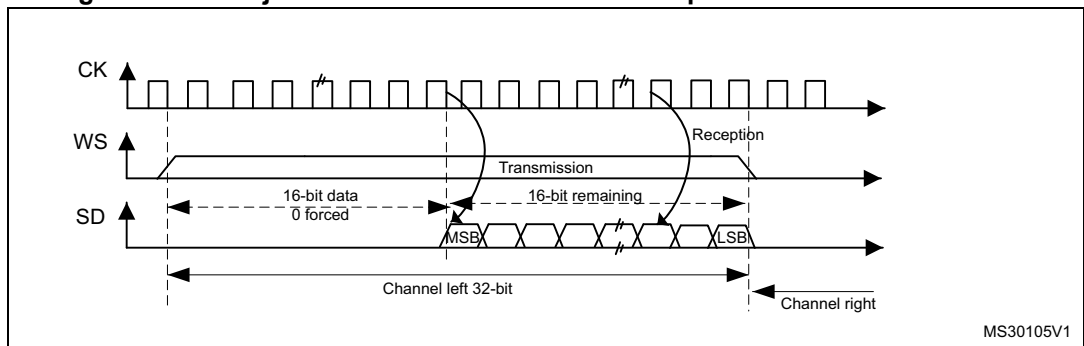


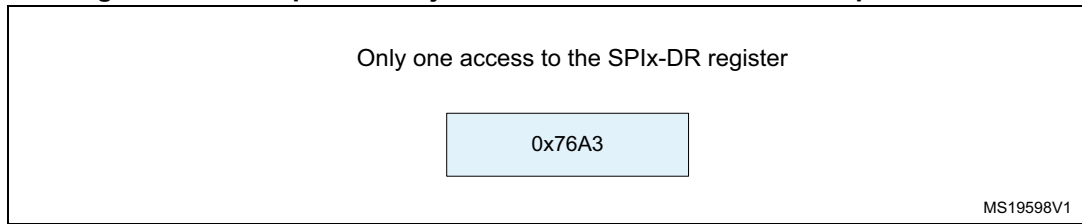
Figure 278. LSB justified 16-bit extended to 32-bit packet frame with CPOL = 0



When 16-bit data frame extended to 32-bit channel frame is selected during the I²S configuration phase, Only one access to SPI_DR is required. The 16 remaining bits are forced by hardware to 0x0000 to extend the data to 32-bit format. In this case it corresponds to the half-word MSB.

If the data to transmit or the received data are 0x76A3 (0x0000 76A3 extended to 32-bit), the operation shown in [Figure 279](#) is required.

Figure 279. Example of LSB justified 16-bit extended to 32-bit packet frame



In transmission mode, when TXE is asserted, the application has to write the data to be transmitted (in this case 0x76A3). The 0x000 field is transmitted first (extension on 32-bit). TXE is asserted again as soon as the effective data (0x76A3) is sent on SD.

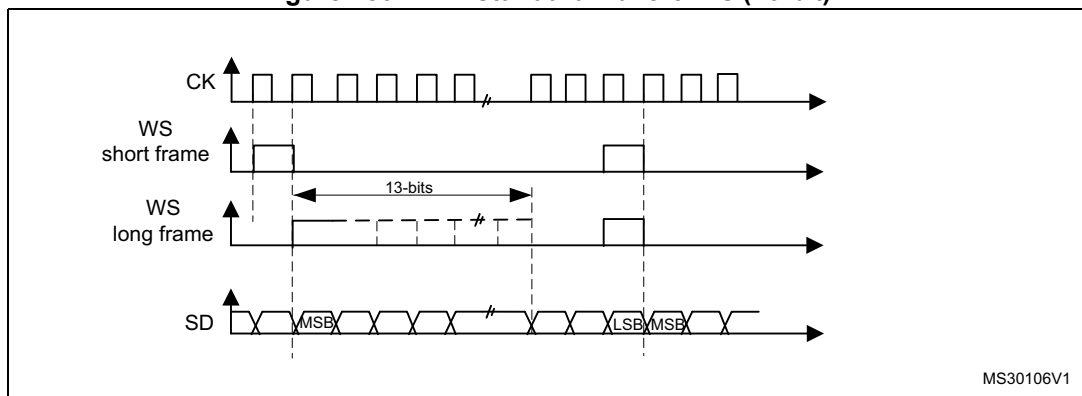
In reception mode, RXNE is asserted as soon as the significant half-word is received (and not the 0x0000 field).

In this way, more time is provided between two write or read operations to prevent underrun or overrun conditions.

PCM standard

For the PCM standard, there is no need to use channel-side information. The two PCM modes (short and long frame) are available and configurable using the PCMSYNC bit in SPI_I2SCFGR.

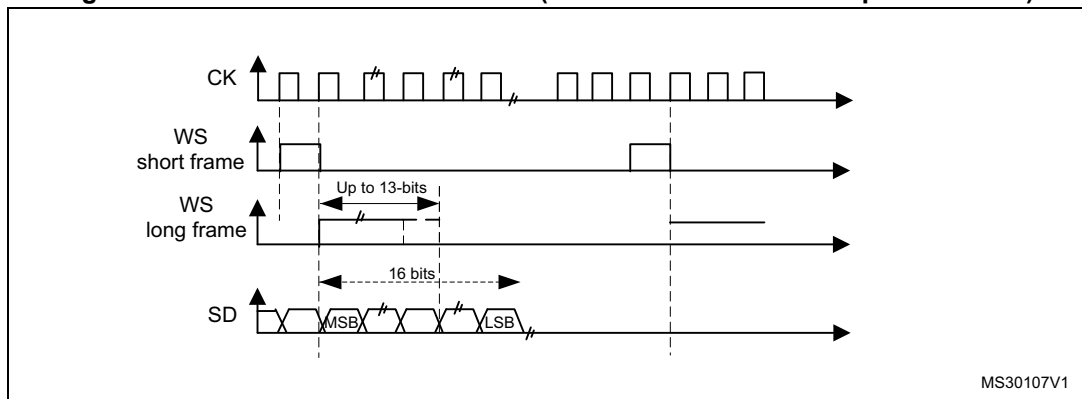
Figure 280. PCM standard waveforms (16-bit)



For long frame synchronization, the WS signal assertion time is fixed 13 bits in master mode.

For short frame synchronization, the WS synchronization signal is only one cycle long.

Figure 281. PCM standard waveforms (16-bit extended to 32-bit packet frame)



MS30107V1

Note: For both modes (master and slave) and for both synchronizations (short and long), the number of bits between two consecutive pieces of data (and so two synchronization signals) needs to be specified (DATLEN and CHLEN bits in the SPI_I2SCFGR register) even in slave mode.

25.4.3 Clock generator

The I²S bitrate determines the dataflow on the I²S data line and the I²S clock signal frequency.

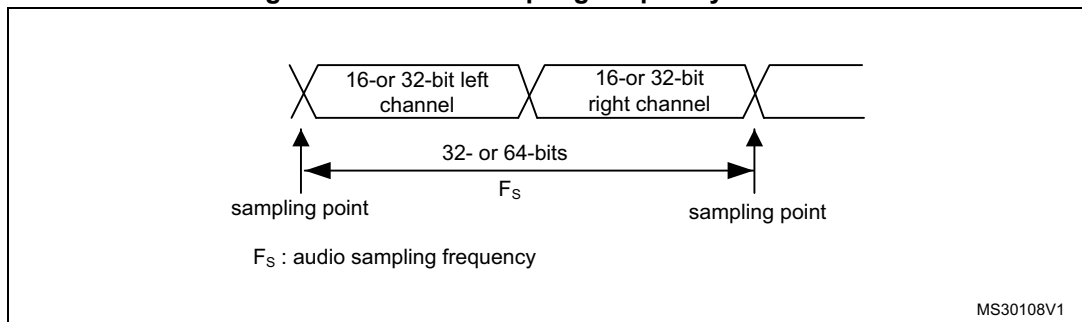
$$I^2S \text{ bitrate} = \text{number of bits per channel} \times \text{number of channels} \times \text{sampling audio frequency}$$

For a 16-bit audio, left and right channel, the I²S bitrate is calculated as follows:

$$I^2S \text{ bitrate} = 16 \times 2 \times F_s$$

It is I²S bitrate = 32 x 2 x F_s if the packet length is 32-bit wide.

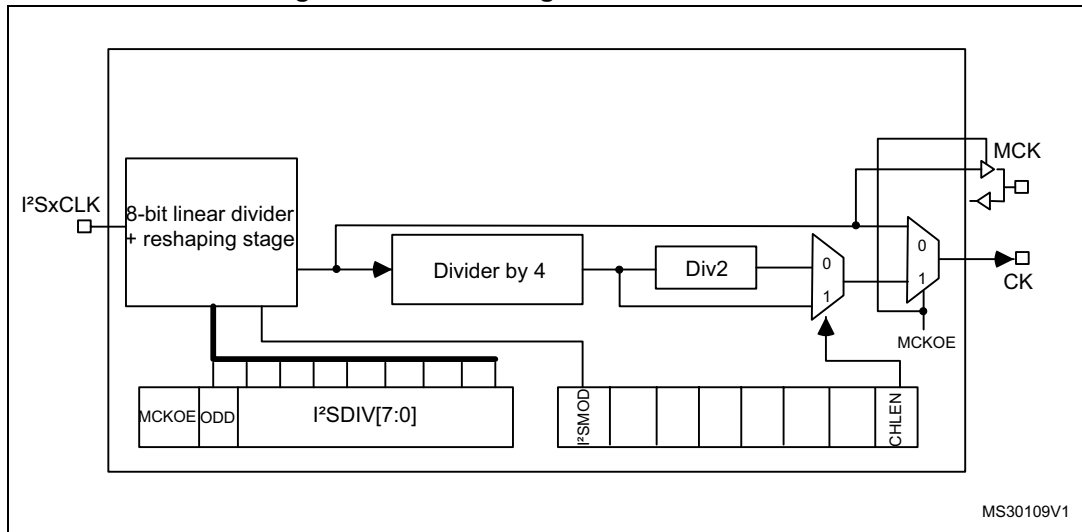
Figure 282. Audio sampling frequency definition



MS30108V1

When the master mode is configured, a specific action needs to be taken to properly program the linear divider in order to communicate with the desired audio frequency.

Figure 283. I²S clock generator architecture



1. Where x could be 2 or 3.

Figure 282 presents the communication clock architecture. To achieve high-quality audio performance, the I2SxCLK clock source can be either the PLLI2S output (through R division factor) or an external clock (mapped to I2S_CKIN pin).

The audio sampling frequency can be 96 kHz, 48 kHz, 44.1 kHz, 32 kHz, 22.05 kHz, 16 kHz, 11.025 kHz or 8 kHz (or any other value within this range). In order to reach the desired frequency, the linear divider needs to be programmed according to the formulas below:

When the master clock is generated (MCKOE in the SPI_I2SPR register is set):

$$F_S = I2SxCLK / [(16 \cdot 2) \cdot ((2 \cdot I2SDIV) + ODD) \cdot 8]$$

when the channel frame is 16-bit wide

$$F_S = I2SxCLK / [(32 \cdot 2) \cdot ((2 \cdot I2SDIV) + ODD) \cdot 4]$$

when the channel frame is 32-bit wide

When the master clock is disabled (MCKOE bit cleared):

$$F_S = I2SxCLK / [(16 \cdot 2) \cdot ((2 \cdot I2SDIV) + ODD)]$$

when the channel frame is 16-bit wide

$$F_S = I2SxCLK / [(32 \cdot 2) \cdot ((2 \cdot I2SDIV) + ODD)]$$

when the channel frame is 32-bit wide

Table 100 provides example precision values for different clock configurations.

Note: Other configurations are possible that allow optimum clock precision.

Table 100. Audio frequency precision (for PLLM VCO = 1 MHz or 2 MHz)⁽¹⁾

Master clock	Target f _S (Hz)	Data format	PLLI2SN	PLLI2SR	I2SDIV	I2SODD	Real f _S (Hz)	Error
Disabled	8000	16-bit	192	2	187	1	8000	0.0000%
		32-bit	192	3	62	1	8000	0.0000%
	16000	16-bit	192	3	62	1	16000	0.0000%
		32-bit	256	2	62	1	16000	0.0000%
	32000	16-bit	256	2	62	1	32000	0.0000%
		32-bit	256	5	12	1	32000	0.0000%
	48000	16-bit	192	5	12	1	48000	0.0000%
		32-bit	384	5	12	1	48000	0.0000%
	96000	16-bit	384	5	12	1	96000	0.0000%
		32-bit	424	3	11	1	96014.49219	0.0151%
	22050	16-bit	290	3	68	1	22049.87695	0.0006%
		32-bit	302	2	53	1	22050.23438	0.0011%
	44100	16-bit	302	2	53	1	44100.46875	0.0011%
		32-bit	429	4	19	0	44099.50781	0.0011%
192000	16-bit	424	3	11	1	192028.9844	0.0151%	
	32-bit	258	3	3	1	191964.2813	0.0186%	
Enabled	8000	don't care	256	5	12	1	8000	0.0000%
	16000	don't care	213	2	13	0	16000.60059	0.0038%
	32000	don't care	213	2	6	1	32001.20117	0.0038%
	48000	don't care	258	3	3	1	47991.07031	0.0186%
	96000	don't care	344	2	3	1	95982.14063	0.0186%
	22050	don't care	429	4	9	1	22049.75391	0.0011%
	44100	don't care	271	2	6	0	44108.07422	0.0183%

1. This table gives only example values for different clock configurations. Other configurations allowing optimum clock precision are possible.

25.4.4 I²S master mode

The I²S can be configured in master mode for transmission and reception. This means that the serial clock is generated on the CK pin as well as the Word Select signal WS. Master clock (MCK) may be output or not, thanks to the MCKOE bit in the SPI_I2SPR register.

Procedure

1. Select the I2SDIV[7:0] bits in the SPI_I2SPR register to define the serial clock baud rate to reach the proper audio sample frequency. The ODD bit in the SPI_I2SPR register also has to be defined.
2. Select the CKPOL bit to define the steady level for the communication clock. Set the MCKOE bit in the SPI_I2SPR register if the master clock MCK needs to be provided to



the external DAC/ADC audio component (the I2SDIV and ODD values should be computed depending on the state of the MCK output, for more details refer to [Section 25.4.3](#)).

3. Set the I2SMOD bit in SPI_I2SCFGR to activate the I²S functionalities and choose the I²S standard through the I2SSTD[1:0] and PCMSYNC bits, the data length through the DATLEN[1:0] bits and the number of bits per channel by configuring the CHLEN bit. Select also the I²S master mode and direction (Transmitter or Receiver) through the I2SCFG[1:0] bits in the SPI_I2SCFGR register.
4. If needed, select all the potential interruption sources and the DMA capabilities by writing the SPI_CR2 register.
5. The I2SE bit in SPI_I2SCFGR register must be set.

WS and CK are configured in output mode. MCK is also an output, if the MCKOE bit in SPI_I2SPR is set.

Transmission sequence

The transmission sequence begins when a half-word is written into the Tx buffer.

Assumedly, the first data written into the Tx buffer correspond to the channel Left data. When data are transferred from the Tx buffer to the shift register, TXE is set and data corresponding to the channel Right have to be written into the Tx buffer. The CHSIDE flag indicates which channel is to be transmitted. It has a meaning when the TXE flag is set because the CHSIDE flag is updated when TXE goes high.

A full frame has to be considered as a Left channel data transmission followed by a Right channel data transmission. It is not possible to have a partial frame where only the left channel is sent.

The data half-word is parallel loaded into the 16-bit shift register during the first bit transmission, and then shifted out, serially, to the MOSI/SD pin, MSB first. The TXE flag is set after each transfer from the Tx buffer to the shift register and an interrupt is generated if the TXEIE bit in the SPI_CR2 register is set.

For more details about the write operations depending on the I²S standard mode selected, refer to [Section 25.4.2](#)).

To ensure a continuous audio data transmission, it is mandatory to write the SPI_DR with the next data to transmit before the end of the current transmission.

To switch off the I²S, by clearing I2SE, it is mandatory to wait for TXE = 1 and BSY = 0.

Reception sequence

The operating mode is the same as for the transmission mode except for the point 3 (refer to the procedure described in [Section 25.4.4](#)), where the configuration should set the master reception mode through the I2SCFG[1:0] bits.

Whatever the data or channel length, the audio data are received by 16-bit packets. This means that each time the Rx buffer is full, the RXNE flag is set and an interrupt is generated if the RXNEIE bit is set in SPI_CR2 register. Depending on the data and channel length configuration, the audio value received for a right or left channel may result from one or two receptions into the Rx buffer.

Clearing the RXNE bit is performed by reading the SPI_DR register.

CHSIDE is updated after each reception. It is sensitive to the WS signal generated by the I²S cell.

For more details about the read operations depending on the I²S standard mode selected, refer to [Section 25.4.2: Supported audio protocols](#).

If data are received while the previously received data have not been read yet, an overrun is generated and the OVR flag is set. If the ERRIE bit is set in the SPI_CR2 register, an interrupt is generated to indicate the error.

To switch off the I²S, specific actions are required to ensure that the I²S completes the transfer cycle properly without initiating a new data transfer. The sequence depends on the configuration of the data and channel lengths, and on the audio protocol mode selected. In the case of:

- 16-bit data length extended on 32-bit channel length (DATLEN = 00 and CHLEN = 1) using the LSB justified mode (I2SSTD = 10)
 - a) Wait for the second to last RXNE = 1 (n – 1)
 - b) Then wait 17 I²S clock cycles (using a software loop)
 - c) Disable the I²S (I2SE = 0)
- 16-bit data length extended on 32-bit channel length (DATLEN = 00 and CHLEN = 1) in MSB justified, I²S or PCM modes (I2SSTD = 00, I2SSTD = 01 or I2SSTD = 11, respectively)
 - a) Wait for the last RXNE
 - b) Then wait 1 I²S clock cycle (using a software loop)
 - c) Disable the I²S (I2SE = 0)
- For all other combinations of DATLEN and CHLEN, whatever the audio mode selected through the I2SSTD bits, carry out the following sequence to switch off the I²S:
 - a) Wait for the second to last RXNE = 1 (n – 1)
 - b) Then wait one I²S clock cycle (using a software loop)
 - c) Disable the I²S (I2SE = 0)

Note: The BSY flag is kept low during transfers.

25.4.5 I²S slave mode

In slave mode, the I²S can be configured in transmission or reception mode. The operating mode is following mainly the same rules as described for the I²S master configuration. In slave mode, there is no clock to be generated by the I²S interface. The clock and WS signals are input from the external master connected to the I²S interface. There is then no need, for the user, to configure the clock.

The configuration steps to follow are listed below:

1. Set the I2SMOD bit in the SPI_I2SCFGR register to reach the I²S functionalities and choose the I²S standard through the I2SSTD[1:0] bits, the data length through the DATLEN[1:0] bits and the number of bits per channel for the frame configuring the CHLEN bit. Select also the mode (transmission or reception) for the slave through the I2SCFG[1:0] bits in SPI_I2SCFGR register.
2. If needed, select all the potential interrupt sources and the DMA capabilities by writing the SPI_CR2 register.
3. The I2SE bit in SPI_I2SCFGR register must be set.

Transmission sequence

The transmission sequence begins when the external master device sends the clock and when the NSS_WS signal requests the transfer of data. The slave has to be enabled before the external master starts the communication. The I²S data register has to be loaded before the master initiates the communication.

For the I²S, MSB justified and LSB justified modes, the first data item to be written into the data register corresponds to the data for the left channel. When the communication starts, the data are transferred from the Tx buffer to the shift register. The TXE flag is then set in order to request the right channel data to be written into the I²S data register.

The CHSIDE flag indicates which channel is to be transmitted. Compared to the master transmission mode, in slave mode, CHSIDE is sensitive to the WS signal coming from the external master. This means that the slave needs to be ready to transmit the first data before the clock is generated by the master. WS assertion corresponds to left channel transmitted first.

Note: The I2SE has to be written at least two PCLK cycles before the first clock of the master comes on the CK line.

The data half-word is parallel-loaded into the 16-bit shift register (from the internal bus) during the first bit transmission, and then shifted out serially to the MOSI/SD pin MSB first. The TXE flag is set after each transfer from the Tx buffer to the shift register and an interrupt is generated if the TXEIE bit in the SPI_CR2 register is set.

Note that the TXE flag should be checked to be at 1 before attempting to write the Tx buffer.

For more details about the write operations depending on the I²S standard mode selected, refer to [Section 25.4.2](#).

To secure a continuous audio data transmission, it is mandatory to write the SPI_DR register with the next data to transmit before the end of the current transmission. An underrun flag is set and an interrupt may be generated if the data are not written into the SPI_DR register before the first clock edge of the next data communication. This indicates to the software that the transferred data are wrong. If the ERRIE bit is set into the SPI_CR2 register, an interrupt is generated when the UDR flag in the SPI_SR register goes high. In this case, it is mandatory to switch off the I²S and to restart a data transfer starting from the left channel.

To switch off the I²S, by clearing the I2SE bit, it is mandatory to wait for TXE = 1 and BSY = 0.

Reception sequence

The operating mode is the same as for the transmission mode except for the point 1 (refer to the procedure described in [Section 25.4.5](#)), where the configuration should set the master reception mode using the I2SCFG[1:0] bits in the SPI_I2SCFGR register.

Whatever the data length or the channel length, the audio data are received by 16-bit packets. This means that each time the RX buffer is full, the RXNE flag in the SPI_SR register is set and an interrupt is generated if the RXNEIE bit is set in the SPI_CR2 register. Depending on the data length and channel length configuration, the audio value received for a right or left channel may result from one or two receptions into the RX buffer.

The CHSIDE flag is updated each time data are received to be read from SPI_DR. It is sensitive to the external WS line managed by the external master component.

Clearing the RXNE bit is performed by reading the SPI_DR register.

For more details about the read operations depending the I²S standard mode selected, refer to [Section 25.4.2](#).

If data are received while the precedent received data have not yet been read, an overrun is generated and the OVR flag is set. If the bit ERRIE is set in the SPI_CR2 register, an interrupt is generated to indicate the error.

To switch off the I²S in reception mode, I2SE has to be cleared immediately after receiving the last RXNE = 1.

Note: The external master components should have the capability of sending/receiving data in 16-bit or 32-bit packets via an audio channel.

25.4.6 Status flags

Three status flags are provided for the application to fully monitor the state of the I²S bus.

Busy flag (BSY)

The BSY flag is set and cleared by hardware (writing to this flag has no effect). It indicates the state of the communication layer of the I²S.

When BSY is set, it indicates that the I²S is busy communicating. There is one exception in master receive mode (I2SCFG = 11) where the BSY flag is kept low during reception.

The BSY flag is useful to detect the end of a transfer if the software needs to disable the I²S. This avoids corrupting the last transfer. For this, the procedure described below must be strictly respected.

The BSY flag is set when a transfer starts, except when the I²S is in master receiver mode.

The BSY flag is cleared:

- when a transfer completes (except in master transmit mode, in which the communication is supposed to be continuous)
- when the I²S is disabled

When communication is continuous:

- In master transmit mode, the BSY flag is kept high during all the transfers
- In slave mode, the BSY flag goes low for one I²S clock cycle between each transfer

Note: Do not use the BSY flag to handle each data transmission or reception. It is better to use the TXE and RXNE flags instead.

Tx buffer empty flag (TXE)

When set, this flag indicates that the Tx buffer is empty and the next data to be transmitted can then be loaded into it. The TXE flag is reset when the Tx buffer already contains data to be transmitted. It is also reset when the I²S is disabled (I2SE bit is reset).

RX buffer not empty (RXNE)

When set, this flag indicates that there are valid received data in the RX Buffer. It is reset when SPI_DR register is read.

Channel Side flag (CHSIDE)

In transmission mode, this flag is refreshed when TXE goes high. It indicates the channel side to which the data to transfer on SD has to belong. In case of an underrun error event in

slave transmission mode, this flag is not reliable and I²S needs to be switched off and switched on before resuming the communication.

In reception mode, this flag is refreshed when data are received into SPI_DR. It indicates from which channel side data have been received. Note that in case of error (like OVR) this flag becomes meaningless and the I²S should be reset by disabling and then enabling it (with configuration if it needs changing).

This flag has no meaning in the PCM standard (for both Short and Long frame modes).

When the OVR or UDR flag in the SPI_SR is set and the ERRIE bit in SPI_CR2 is also set, an interrupt is generated. This interrupt can be cleared by reading the SPI_SR status register (once the interrupt source has been cleared).

25.4.7 Error flags

There are two error flags for the I²S cell.

Underrun flag (UDR)

In slave transmission mode this flag is set when the first clock for data transmission appears while the software has not yet loaded any value into SPI_DR. It is available when the I2SMOD bit in SPI_I2SCFGR is set. An interrupt may be generated if the ERRIE bit in SPI_CR2 is set.

The UDR bit is cleared by a read operation on the SPI_SR register.

Overrun flag (OVR)

This flag is set when data are received and the previous data have not yet been read from SPI_DR. As a result, the incoming data are lost. An interrupt may be generated if the ERRIE bit is set in SPI_CR2.

In this case, the receive buffer contents are not updated with the newly received data from the transmitter device. A read operation to the SPI_DR register returns the previous correctly received data. All other subsequently transmitted half-words are lost.

Clearing the OVR bit is done by a read operation on the SPI_DR register followed by a read access to the SPI_SR register.

25.4.8 I²S interrupts

[Table 101](#) provides the list of I²S interrupts.

Table 101. I²S interrupt requests

Interrupt event	Event flag	Enable Control bit
Transmit buffer empty flag	TXE	TXEIE
Receive buffer not empty flag	RXNE	RXNEIE
Overrun error	OVR	ERRIE
Underrun error	UDR	

25.4.9 DMA features

DMA is working in exactly the same way as for the SPI mode. There is no difference on the I²S. Only the CRC feature is not available in I²S mode since there is no data transfer protection system.

25.5 SPI and I²S registers

The peripheral registers must be accessed by half-words (16 bits) or words (32 bits).

25.5.1 SPI control register 1 (SPI_CR1) (not used in I²S mode)

Address offset: 0x00

Reset value: 0x0000

15	14	13	12	11	10	9	8	7	6	5	4	3	2	1	0
BIDI MODE	BIDI OE	CRC EN	CRC NEXT	DFF	RX ONLY	SSM	SSI	LSB FIRST	SPE	BR [2:0]			MSTR	CPOL	CPHA
rw	rw	rw	rw	rw	rw	rw	rw	rw	rw	rw	rw	rw	rw	rw	rw

Bit 15 BIDIMODE: Bidirectional data mode enable

0: 2-line unidirectional data mode selected

1: 1-line bidirectional data mode selected

Note: This bit is not used in I²S mode

Bit 14 BIDIOE: Output enable in bidirectional mode

This bit combined with the BIDImode bit selects the direction of transfer in bidirectional mode

0: Output disabled (receive-only mode)

1: Output enabled (transmit-only mode)

Note: This bit is not used in I²S mode.

In master mode, the MOSI pin is used while the MISO pin is used in slave mode.

Bit 13 CRCEN: Hardware CRC calculation enable

0: CRC calculation disabled

1: CRC calculation enabled

Note: This bit should be written only when SPI is disabled (SPE = '0') for correct operation.

It is not used in I²S mode.

Bit 12 CRCNEXT: CRC transfer next

0: Data phase (no CRC phase)

1: Next transfer is CRC (CRC phase)

Note: When the SPI is configured in full duplex or transmitter only modes, CRCNEXT must be written as soon as the last data is written to the SPI_DR register.

When the SPI is configured in receiver only mode, CRCNEXT must be set after the second last data reception.

This bit should be kept cleared when the transfers are managed by DMA.

It is not used in I²S mode.

Bit 11 DFF: Data frame format

0: 8-bit data frame format is selected for transmission/reception

1: 16-bit data frame format is selected for transmission/reception

Note: This bit should be written only when SPI is disabled (SPE = '0') for correct operation.

It is not used in I²S mode.

Bit 10 **RXONLY**: Receive only

This bit combined with the BIDImode bit selects the direction of transfer in 2-line unidirectional mode. This bit is also useful in a multislave system in which this particular slave is not accessed, the output from the accessed slave is not corrupted.

0: Full duplex (Transmit and receive)

1: Output disabled (Receive-only mode)

Note: This bit is not used in I²S mode

Bit 9 **SSM**: Software slave management

When the SSM bit is set, the NSS pin input is replaced with the value from the SSI bit.

0: Software slave management disabled

1: Software slave management enabled

Note: This bit is not used in I²S mode and SPI TI mode

Bit 8 **SSI**: Internal slave select

This bit has an effect only when the SSM bit is set. The value of this bit is forced onto the NSS pin and the IO value of the NSS pin is ignored.

Note: This bit is not used in I²S mode and SPI TI mode

Bit 7 **LSBFIRST**: Frame format

0: MSB transmitted first

1: LSB transmitted first

Note: This bit should not be changed when communication is ongoing.

It is not used in I²S mode and SPI TI mode

Bit 6 **SPE**: SPI enable

0: Peripheral disabled

1: Peripheral enabled

Note: This bit is not used in I²S mode.

When disabling the SPI, follow the procedure described in [Section 25.3.8](#).

Bits 5:3 **BR[2:0]**: Baud rate control

000: $f_{PCLK}/2$

001: $f_{PCLK}/4$

010: $f_{PCLK}/8$

011: $f_{PCLK}/16$

100: $f_{PCLK}/32$

101: $f_{PCLK}/64$

110: $f_{PCLK}/128$

111: $f_{PCLK}/256$

Note: These bits should not be changed when communication is ongoing.

They are not used in I²S mode.

Bit 2 **MSTR**: Master selection

0: Slave configuration

1: Master configuration

Note: This bit should not be changed when communication is ongoing.

It is not used in I²S mode.

- Bit1 **CPOL**: Clock polarity
 - 0: CK to 0 when idle
 - 1: CK to 1 when idle

*Note: This bit should not be changed when communication is ongoing.
It is not used in I²S mode and SPI TI mode.*
- Bit 0 **CPHA**: Clock phase
 - 0: The first clock transition is the first data capture edge
 - 1: The second clock transition is the first data capture edge

*Note: This bit should not be changed when communication is ongoing.
It is not used in I²S mode and SPI TI mode.*

25.5.2 SPI control register 2 (SPI_CR2)

Address offset: 0x04

Reset value: 0x0000

15	14	13	12	11	10	9	8	7	6	5	4	3	2	1	0
Reserved								TXEIE	RXNEIE	ERRIE	FRF	Res.	SSOE	TXDMAEN	RXDMAEN
								r/w	r/w	r/w	r/w		r/w	r/w	r/w

- Bits 15:8 Reserved, must be kept at reset value.
- Bit 7 **TXEIE**: Tx buffer empty interrupt enable
 - 0: TXE interrupt masked
 - 1: TXE interrupt not masked. Used to generate an interrupt request when the TXE flag is set.
- Bit 6 **RXNEIE**: RX buffer not empty interrupt enable
 - 0: RXNE interrupt masked
 - 1: RXNE interrupt not masked. Used to generate an interrupt request when the RXNE flag is set.
- Bit 5 **ERRIE**: Error interrupt enable

This bit controls the generation of an interrupt when an error condition occurs UDR, OVR in I²S mode)(CRCERR, OVR, MODF in SPI mode, FRE in TI mode and UDR, OVR, and FRE in I²S mode).

 - 0: Error interrupt is masked
 - 1: Error interrupt is enabled
- Bit 4 **FRF**: Frame format
 - 0: SPI Motorola mode
 - 1 SPI TI mode

Note: This bit is not used in I²S mode.
- Bit 3 Reserved. Forced to 0 by hardware.
- Bit 2 **SSOE**: SS output enable
 - 0: SS output is disabled in master mode and the cell can work in multimaster configuration
 - 1: SS output is enabled in master mode and when the cell is enabled. The cell cannot work in a multimaster environment.

Note: This bit is not used in I²S mode and SPI TI mode.

Bit 1 **TXDMAEN**: Tx buffer DMA enable
 When this bit is set, the DMA request is made whenever the TXE flag is set.
 0: Tx buffer DMA disabled
 1: Tx buffer DMA enabled

Bit 0 **RxDMAEN**: Rx buffer DMA enable
 When this bit is set, the DMA request is made whenever the RXNE flag is set.
 0: Rx buffer DMA disabled
 1: Rx buffer DMA enabled

25.5.3 SPI status register (SPI_SR)

Address offset: 0x08

Reset value: 0x0002

15	14	13	12	11	10	9	8	7	6	5	4	3	2	1	0
Reserved							TIFRFE	BSY	OVR	MODF	CRCERR	UDR	CHSIDE	TXE	RXNE
							r	r	r	r	rc_w0	r	r	r	r

Bits 15:9 Reserved. Forced to 0 by hardware.

Bit 8 **TIFRFE**: TI frame format error
 0: No frame format error
 1: A frame format error occurred

Bit 7 **BSY**: Busy flag
 0: SPI (or I2S) not busy
 1: SPI (or I2S) is busy in communication or Tx buffer is not empty
 This flag is set and cleared by hardware.

Note: BSY flag must be used with caution: refer to [Section 25.3.7](#) and [Section 25.3.8](#).

Bit 6 **OVR**: Overrun flag
 0: No overrun occurred
 1: Overrun occurred
 This flag is set by hardware and reset by a software sequence (see [Section 25.3.10](#)).

Bit 5 **MODF**: Mode fault
 0: No mode fault occurred
 1: Mode fault occurred
 This flag is set by hardware and reset by a software sequence (see [Section 25.3.10](#)).
Note: This bit is not used in I²S mode

Bit 4 **CRCERR**: CRC error flag
 0: CRC value received matches the SPI_RXCR value
 1: CRC value received does not match the SPI_RXCR value
 This flag is set by hardware and cleared by software writing 0.
Note: This bit is not used in I²S mode.

Bit 3 **UDR**: Underrun flag
 0: No underrun occurred
 1: Underrun occurred
 This flag is set by hardware and reset by a software sequence. Refer to [Section 25.4.7: Error flags](#) for the software sequence.
Note: This bit is not used in SPI mode.

- Bit 2 **CHSIDE**: Channel side
 - 0: Channel Left has to be transmitted or has been received
 - 1: Channel Right has to be transmitted or has been received

Note: This bit is not used for SPI mode and is meaningless in PCM mode.
- Bit 1 **TXE**: Transmit buffer empty
 - 0: Tx buffer not empty
 - 1: Tx buffer empty
- Bit 0 **RXNE**: Receive buffer not empty
 - 0: Rx buffer empty
 - 1: Rx buffer not empty

25.5.4 SPI data register (SPI_DR)

Address offset: 0x0C

Reset value: 0x0000

15	14	13	12	11	10	9	8	7	6	5	4	3	2	1	0
DR[15:0]															
rw	rw	rw	rw	rw	rw	rw	rw	rw	rw	rw	rw	rw	rw	rw	rw

Bits 15:0 **DR[15:0]**: Data register
 Data received or to be transmitted.
 The data register is split into 2 buffers - one for writing (Transmit Buffer) and another one for reading (Receive buffer). A write to the data register writes into the Tx buffer and a read from the data register returns the value held in the Rx buffer.
Note: These notes apply to SPI mode:
 Depending on the data frame format selection bit (DFF in SPI_CR1 register), the data sent or received is either 8-bit or 16-bit. This selection has to be made before enabling the SPI to ensure correct operation.
 For an 8-bit data frame, the buffers are 8-bit and only the LSB of the register (SPI_DR[7:0]) is used for transmission/reception. When in reception mode, the MSB of the register (SPI_DR[15:8]) is forced to 0.
 For a 16-bit data frame, the buffers are 16-bit and the entire register, SPI_DR[15:0] is used for transmission/reception.

25.5.5 SPI CRC polynomial register (SPI_CRCPR) (not used in I²S mode)

Address offset: 0x10

Reset value: 0x0007

15	14	13	12	11	10	9	8	7	6	5	4	3	2	1	0
CRCPOLY[15:0]															
rw	rw	rw	rw	rw	rw	rw	rw	rw	rw	rw	rw	rw	rw	rw	rw



Bits 15:0 **CRCPOLY[15:0]**: CRC polynomial register

This register contains the polynomial for the CRC calculation.

The CRC polynomial (0007h) is the reset value of this register. Another polynomial can be configured as required.

Note: These bits are not used for the I²S mode.

25.5.6 SPI RX CRC register (SPI_RXCR) (not used in I²S mode)

Address offset: 0x14

Reset value: 0x0000

15	14	13	12	11	10	9	8	7	6	5	4	3	2	1	0
RXCRC[15:0]															
r	r	r	r	r	r	r	r	r	r	r	r	r	r	r	r

Bits 15:0 **RXCRC[15:0]**: Rx CRC register

When CRC calculation is enabled, the RxCRC[15:0] bits contain the computed CRC value of the subsequently received bytes. This register is reset when the CRCEN bit in SPI_CR1 register is written to 1. The CRC is calculated serially using the polynomial programmed in the SPI_CR1 register.

Only the 8 LSB bits are considered when the data frame format is set to be 8-bit data (DFF bit of SPI_CR1 is cleared). CRC calculation is done based on any CRC8 standard.

The entire 16-bits of this register are considered when a 16-bit data frame format is selected (DFF bit of the SPI_CR1 register is set). CRC calculation is done based on any CRC16 standard.

Note: A read to this register when the BSY Flag is set could return an incorrect value. These bits are not used for I²S mode.

25.5.7 SPI TX CRC register (SPI_TXCR) (not used in I²S mode)

Address offset: 0x18

Reset value: 0x0000

15	14	13	12	11	10	9	8	7	6	5	4	3	2	1	0
TXCRC[15:0]															
r	r	r	r	r	r	r	r	r	r	r	r	r	r	r	r

Bits 15:0 **TXCRC[15:0]**: Tx CRC register

When CRC calculation is enabled, the TxCRC[7:0] bits contain the computed CRC value of the subsequently transmitted bytes. This register is reset when the CRCEN bit of SPI_CR1 is written to 1. The CRC is calculated serially using the polynomial programmed in the SPI_CR1 register.

Only the 8 LSB bits are considered when the data frame format is set to be 8-bit data (DFF bit of SPI_CR1 is cleared). CRC calculation is done based on any CRC8 standard.

The entire 16-bits of this register are considered when a 16-bit data frame format is selected (DFF bit of the SPI_CR1 register is set). CRC calculation is done based on any CRC16 standard.

Note: A read to this register when the BSY flag is set could return an incorrect value. These bits are not used for I²S mode.

25.5.8 SPI_I²S configuration register (SPI_I2SCFGR)

Address offset: 0x1C

Reset value: 0x0000

15	14	13	12	11	10	9	8	7	6	5	4	3	2	1	0
Reserved				I2SMOD	I2SE	I2SCFG		PCMSY NC	Res.	I2SSTD		CKPOL	DATLEN		CHLEN
				rW	rW	rW	rW	rW		rW	rW	rW	rW	rW	rW

Bits 15:12 Reserved, must be kept at reset value.

Bit 11 **I2SMOD**: I2S mode selection

- 0: SPI mode is selected
- 1: I2S mode is selected

Note: This bit should be configured when the SPI or I²S is disabled

Bit 10 **I2SE**: I2S Enable

- 0: I²S peripheral is disabled
- 1: I²S peripheral is enabled

Note: This bit is not used in SPI mode.

Bits 9:8 **I2SCFG**: I2S configuration mode

- 00: Slave - transmit
- 01: Slave - receive
- 10: Master - transmit
- 11: Master - receive

Note: This bit should be configured when the I²S is disabled.

It is not used in SPI mode.

Bit 7 **PCMSYNC**: PCM frame synchronization

- 0: Short frame synchronization
- 1: Long frame synchronization

Note: This bit has a meaning only if I2SSTD = 11 (PCM standard is used)

It is not used in SPI mode.

Bit 6 Reserved: forced at 0 by hardware

Bits 5:4 **I2SSTD**: I2S standard selection

- 00: I²S Philips standard.
- 01: MSB justified standard (left justified)
- 10: LSB justified standard (right justified)
- 11: PCM standard

For more details on I²S standards, refer to [Section 25.4.2: Supported audio protocols](#). Not used in SPI mode.

Note: For correct operation, these bits should be configured when the I²S is disabled.

Bit 3 **CKPOL**: Steady state clock polarity

- 0: I²S clock steady state is low level
- 1: I²S clock steady state is high level

Note: For correct operation, this bit should be configured when the I²S is disabled.

This bit is not used in SPI mode

Bits 2:1 **DATLEN**: Data length to be transferred
 00: 16-bit data length
 01: 24-bit data length
 10: 32-bit data length
 11: Not allowed

*Note: For correct operation, these bits should be configured when the I²S is disabled.
 This bit is not used in SPI mode.*

Bit 0 **CHLEN**: Channel length (number of bits per audio channel)
 0: 16-bit wide
 1: 32-bit wide

The bit write operation has a meaning only if DATLEN = 00 otherwise the channel length is fixed to 32-bit by hardware whatever the value filled in. *Not used in SPI mode.*

Note: For correct operation, this bit should be configured when the I²S is disabled.

25.5.9 SPI_I²S prescaler register (SPI_I2SPR)

Address offset: 0x20

Reset value: 0000 0010 (0x0002)

15	14	13	12	11	10	9	8	7	6	5	4	3	2	1	0
Reserved						MCKOE	ODD	I2SDIV							
						rw	rw	rw							

Bits 15:10 Reserved, must be kept at reset value.

Bit 9 **MCKOE**: Master clock output enable
 0: Master clock output is disabled
 1: Master clock output is enabled

Note: This bit should be configured when the I²S is disabled. It is used only when the I²S is in master mode.

This bit is not used in SPI mode.

Bit 8 **ODD**: Odd factor for the prescaler
 0: real divider value is = I2SDIV *2
 1: real divider value is = (I2SDIV * 2)+1

Refer to [Section 25.4.3: Clock generator](#). *Not used in SPI mode.*

Note: This bit should be configured when the I²S is disabled. It is used only when the I²S is in master mode.

Bits 7:0 **I2SDIV**: I2S Linear prescaler

I2SDIV [7:0] = 0 or I2SDIV [7:0] = 1 are forbidden values.

Refer to [Section 25.4.3: Clock generator](#). *Not used in SPI mode.*

Note: These bits should be configured when the I²S is disabled. It is used only when the I²S is in master mode.

25.5.10 SPI register map

The table provides shows the SPI register map and reset values.

Table 102. SPI register map and reset values

Offset	Register	31	30	29	28	27	26	25	24	23	22	21	20	19	18	17	16	15	14	13	12	11	10	9	8	7	6	5	4	3	2	1	0													
0x00	SPI_CR1	Reserved																BIDIMODE	BIDIOE	CRCEN	CRCNEXT	DFE	RXONLY	SSM	SSI	LSBFIRST	SPE	BR [2:0]																		
	Reset value	0																0	0	0	0	0	0	0	0	0	0	0		0																
0x04	SPI_CR2	Reserved																						TXEIE	RXNEIE	ERRIE	FRF	Reserved		SSOE	TXDMAEN	RXDMAEN														
	Reset value	0																						0	0	0	0	0		0	0	0														
0x08	SPI_SR	Reserved																						TIFRFE	BSY	OVR	MODF	CRCERR	UDR	CHSIDE	TXE	RXNE														
	Reset value	0																						0	0	0	0	0	0	0	1	0														
0x0C	SPI_DR	Reserved																DR[15:0]																												
	Reset value	0																0	0	0	0	0	0	0	0	0	0	0	0	0	0	0	0	0	0	0	0	0	0	0	0	0	0	0	0	0
0x10	SPI_CRCPR	Reserved																CRCPOLY[15:0]																												
	Reset value	0																0	0	0	0	0	0	0	0	0	0	0	0	0	0	0	0	0	0	0	0	0	0	0	0	0	1	1	1	1
0x14	SPI_RXCRCR	Reserved																RxCRC[15:0]																												
	Reset value	0																0	0	0	0	0	0	0	0	0	0	0	0	0	0	0	0	0	0	0	0	0	0	0	0	0	0	0	0	0
0x18	SPI_TXCRCR	Reserved																TxCRC[15:0]																												
	Reset value	0																0	0	0	0	0	0	0	0	0	0	0	0	0	0	0	0	0	0	0	0	0	0	0	0	0	0	0	0	0
0x1C	SPI_I2SCFGR	Reserved																I2SMOD	I2SE	I2SCFG	PCMSYNC	Reserved		I2SSTD	CKPOL	DATLEN	CHLEN																			
	Reset value	0																0	0	0	0	0	0		0	0	0	0	0	0																
0x20	SPI_I2SPR	Reserved																MCKOE	ODD	I2SDIV																										
	Reset value	0																0	0	0	0	0	0	0	0	0	0	0	0	0	0	0	0	0	0	0	0	0	0	0	0	0	0	0	0	0

Refer to [Section 3.3: Memory map](#) for the register boundary addresses.

26 Secure digital input/output interface (SDIO)

This section applies to the whole STM32F20x and STM32F21x family, unless otherwise specified.

26.1 SDIO main features

The SD/SDIO MMC card host interface (SDIO) provides an interface between the APB2 peripheral bus and MultiMediaCards (MMCs), SD memory cards, SDIO cards and CE-ATA devices.

The MultiMediaCard system specifications are available through the MultiMediaCard Association website at <http://www.jedec.org/>, published by the MMCA technical committee.

SD memory card and SD I/O card system specifications are available through the SD card Association website at <http://www.sdcard.org>.

CE-ATA system specifications are available through the CE-ATA workgroup website.

The SDIO features include the following:

- Full compliance with *MultiMediaCard System Specification Version 4.2*. Card support for three different databus modes: 1-bit (default), 4-bit and 8-bit
- Full compatibility with previous versions of MultiMediaCards (forward compatibility)
- Full compliance with *SD Memory Card Specifications Version 2.0*
- Full compliance with *SD I/O Card Specification Version 2.0*: card support for two different databus modes: 1-bit (default) and 4-bit
- Full support of the CE-ATA features (full compliance with *CE-ATA digital protocol Rev1.1*)
- Data transfer up to 50 MHz for the 8 bit mode
- Data and command output enable signals to control external bidirectional drivers.

Note: The SDIO does not have an SPI-compatible communication mode.

The SD memory card protocol is a superset of the MultiMediaCard protocol as defined in the MultiMediaCard system specification V2.11. Several commands required for SD memory devices are not supported by either SD I/O-only cards or the I/O portion of combo cards. Some of these commands have no use in SD I/O devices, such as erase commands, and thus are not supported in the SDIO. In addition, several commands are different between SD memory cards and SD I/O cards and thus are not supported in the SDIO. For details refer to SD I/O card Specification Version 1.0. CE-ATA is supported over the MMC electrical interface using a protocol that utilizes the existing MMC access primitives. The interface electrical and signaling definition is as defined in the MMC reference.

The MultiMediaCard/SD bus connects cards to the controller.

The current version of the SDIO supports only one SD/SDIO/MMC4.2 card at any one time and a stack of MMC4.1 or previous.

26.2 SDIO bus topology

Communication over the bus is based on command and data transfers.

The basic transaction on the MultiMediaCard/SD/SD I/O bus is the command/response transaction. These types of bus transaction transfer their information directly within the command or response structure. In addition, some operations have a data token.

Data transfers to/from SD/SDIO memory cards are done in data blocks. Data transfers to/from MMC are done data blocks or streams. Data transfers to/from the CE-ATA Devices are done in data blocks.

Figure 284. SDIO “no response” and “no data” operations

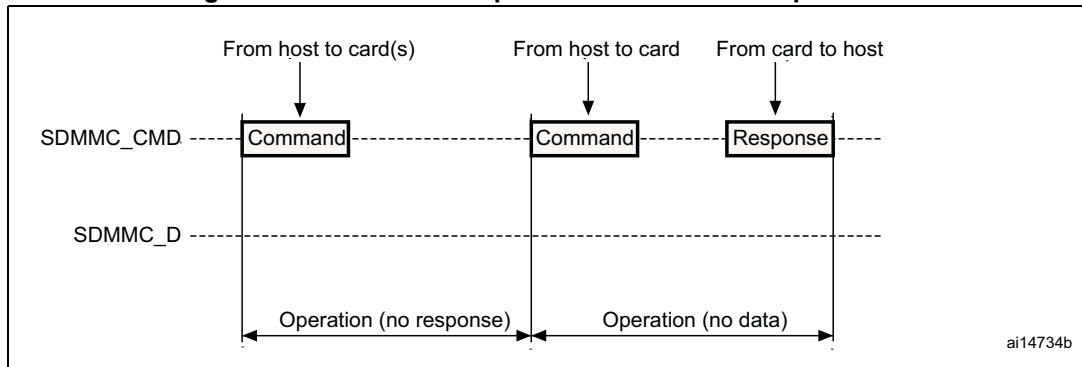


Figure 285. SDIO (multiple) block read operation

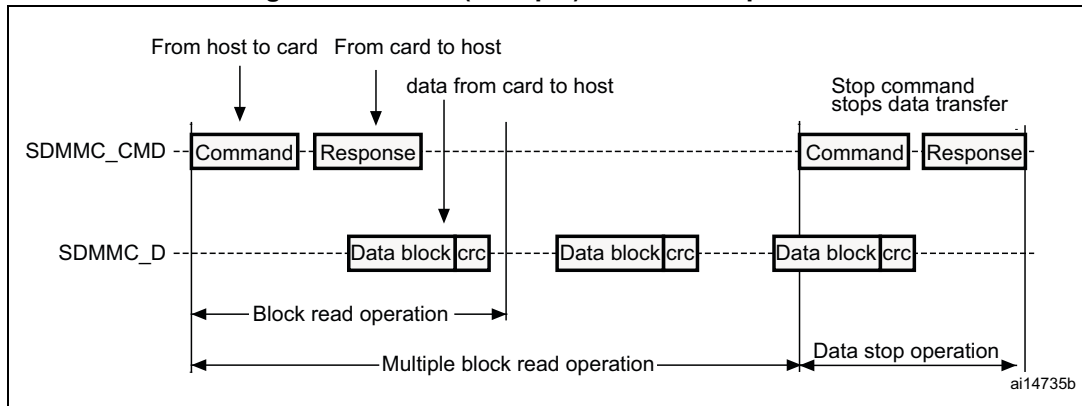
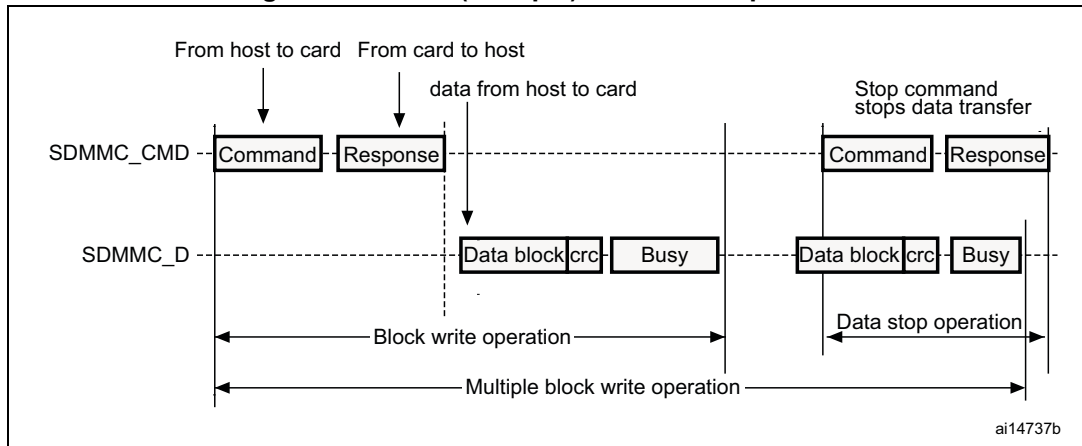


Figure 286. SDIO (multiple) block write operation



Note: The SDIO does not send any data as long as the Busy signal is asserted (SDIO_D0 pulled low).

Figure 287. SDIO sequential read operation

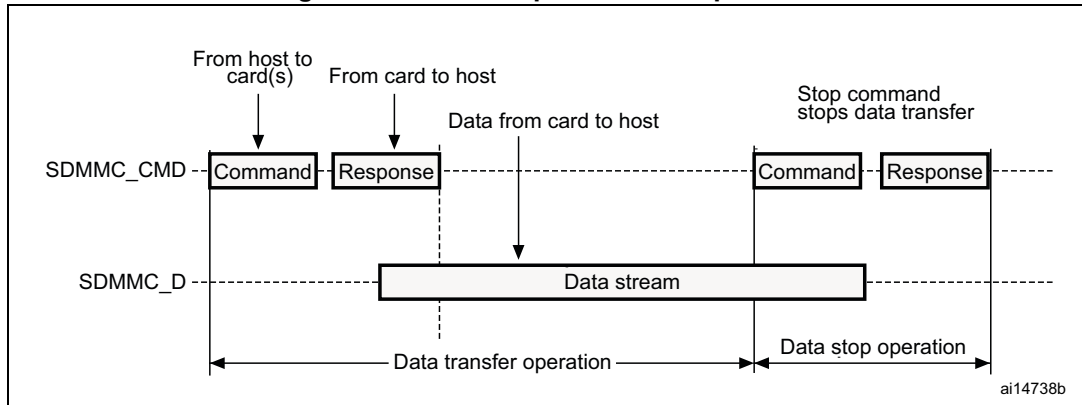
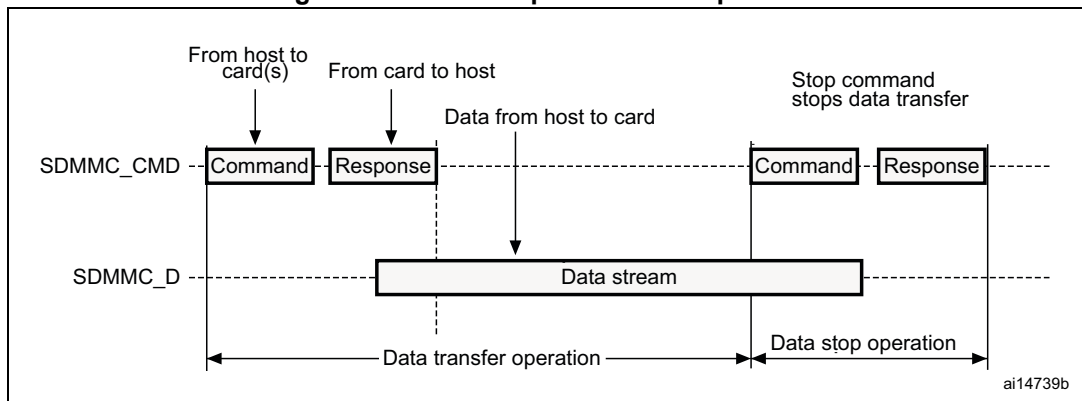


Figure 288. SDIO sequential write operation

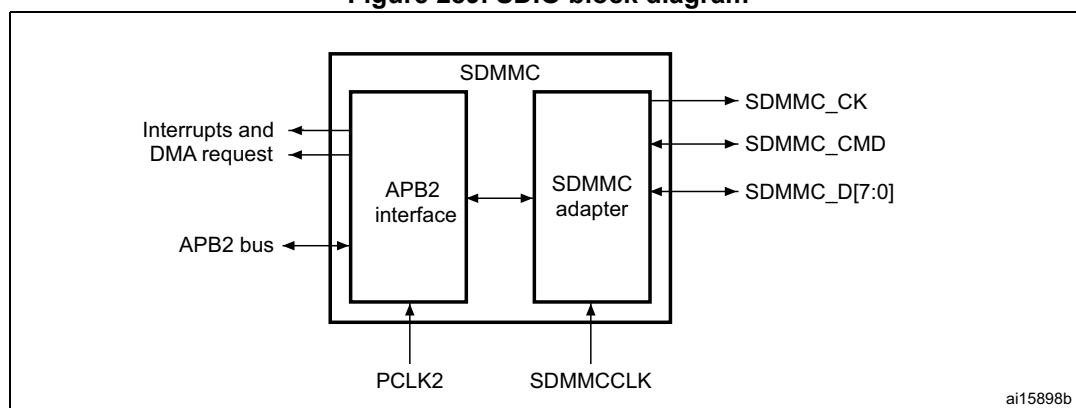


26.3 SDIO functional description

The SDIO consists of two parts:

- The SDIO adapter block provides all functions specific to the MMC/SD/SD I/O card such as the clock generation unit, command and data transfer.
- The APB2 interface accesses the SDIO adapter registers, and generates interrupt and DMA request signals.

Figure 289. SDIO block diagram



By default SDIO_D0 is used for data transfer. After initialization, the host can change the databus width.

If a MultiMediaCard is connected to the bus, SDIO_D0, SDIO_D[3:0] or SDIO_D[7:0] can be used for data transfer. MMC V3.31 or previous, supports only 1 bit of data so only SDIO_D0 can be used.

If an SD or SD I/O card is connected to the bus, data transfer can be configured by the host to use SDIO_D0 or SDIO_D[3:0]. All data lines are operating in push-pull mode.

SDIO_CMD has two operational modes:

- Open-drain for initialization (only for MMCV3.31 or previous)
- Push-pull for command transfer (SD/SD I/O card MMC4.2 use push-pull drivers also for initialization)

SDIO_CK is the clock to the card: one bit is transferred on both command and data lines with each clock cycle.

The SDIO uses two clock signals:

- SDIO adapter clock SDIOCLK up to 50 MHz (48 MHz when in use with USB)
- APB2 bus clock (PCLK2)

PCLK2 and SDIO_CK clock frequencies must respect the following condition:

$$\text{Frequenc}(\text{PCLK2}) \geq 3 / 8 \times \text{Frequency}(\text{SDIO_CK})$$

The signals shown in [Table 103](#) are used on the MultiMediaCard/SD/SD I/O card bus.

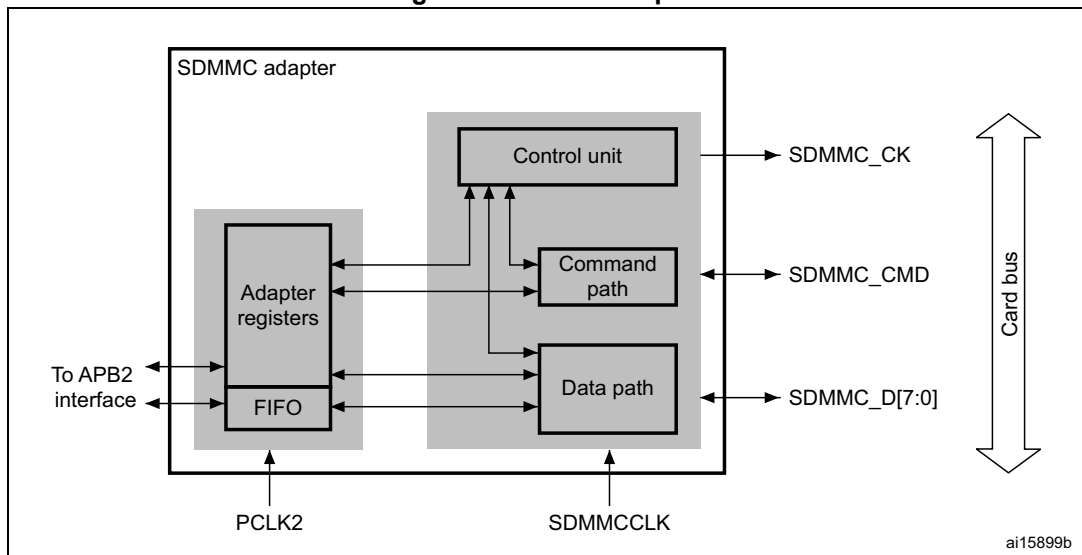
Table 103. SDIO I/O definitions

Pin	Direction	Description
SDIO_CK	Output	MultiMediaCard/SD/SDIO card clock. This pin is the clock from host to card.
SDIO_CMD	Bidirectional	MultiMediaCard/SD/SDIO card command. This pin is the bidirectional command/response signal.
SDIO_D[7:0]	Bidirectional	MultiMediaCard/SD/SDIO card data. These pins are the bidirectional databus.

26.3.1 SDIO adapter

Figure 290 shows a simplified block diagram of an SDIO adapter.

Figure 290. SDIO adapter



The SDIO adapter is a multimedia/secure digital memory card bus master that provides an interface to a multimedia card stack or to a secure digital memory card. It consists of five subunits:

- Adapter register block
- Control unit
- Command path
- Data path
- Data FIFO

Note: The adapter registers and FIFO use the APB2 bus clock domain (PCLK2). The control unit, command path and data path use the SDIO adapter clock domain (SDIOCLK).

Adapter register block

The adapter register block contains all system registers. This block also generates the signals that clear the static flags in the multimedia card. The clear signals are generated when 1 is written into the corresponding bit location in the SDIO Clear register.

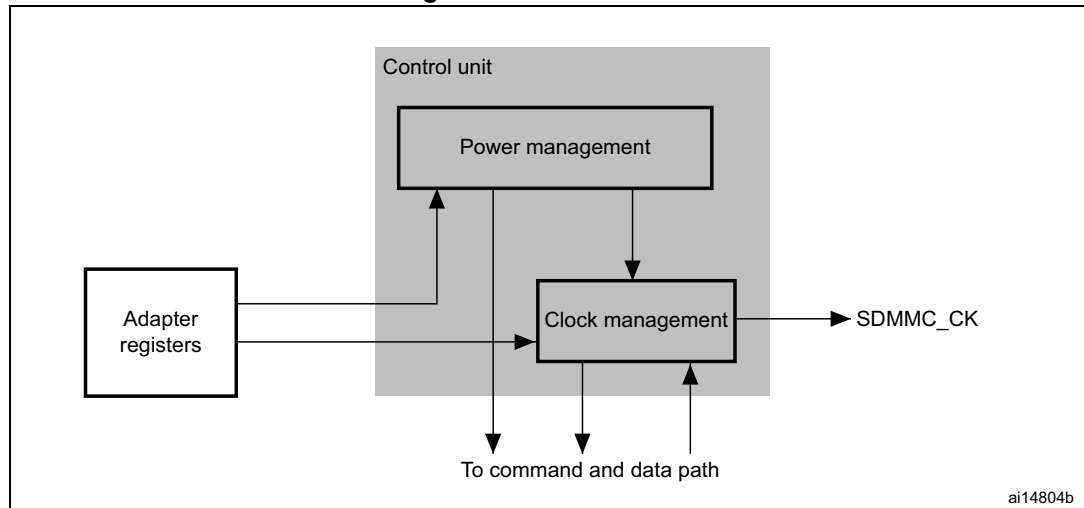
Control unit

The control unit contains the power management functions and the clock divider for the memory card clock.

There are three power phases:

- power-off
- power-up
- power-on

Figure 291. Control unit



The control unit is illustrated in [Figure 291](#). It consists of a power management subunit and a clock management subunit.

The power management subunit disables the card bus output signals during the power-off and power-up phases.

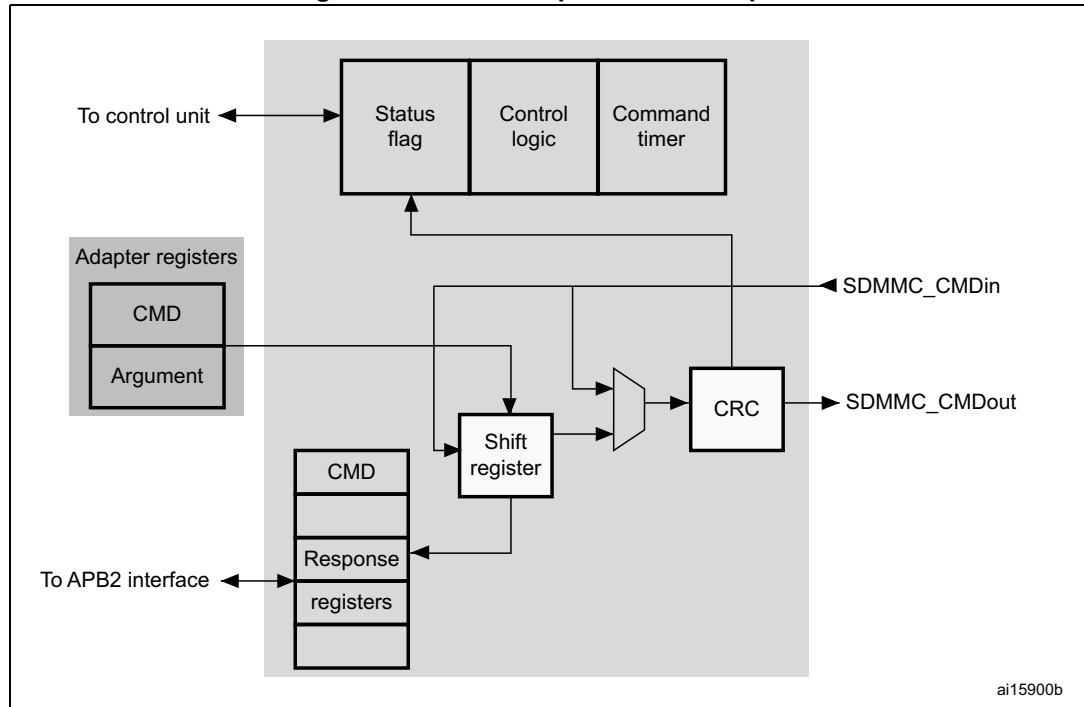
The clock management subunit generates and controls the SDIO_CK signal. The SDIO_CK output can use either the clock divide or the clock bypass mode. The clock output is inactive:

- after reset
- during the power-off or power-up phases
- if the power saving mode is enabled and the card bus is in the Idle state (eight clock periods after both the command and data path subunits enter the Idle phase)

Command path

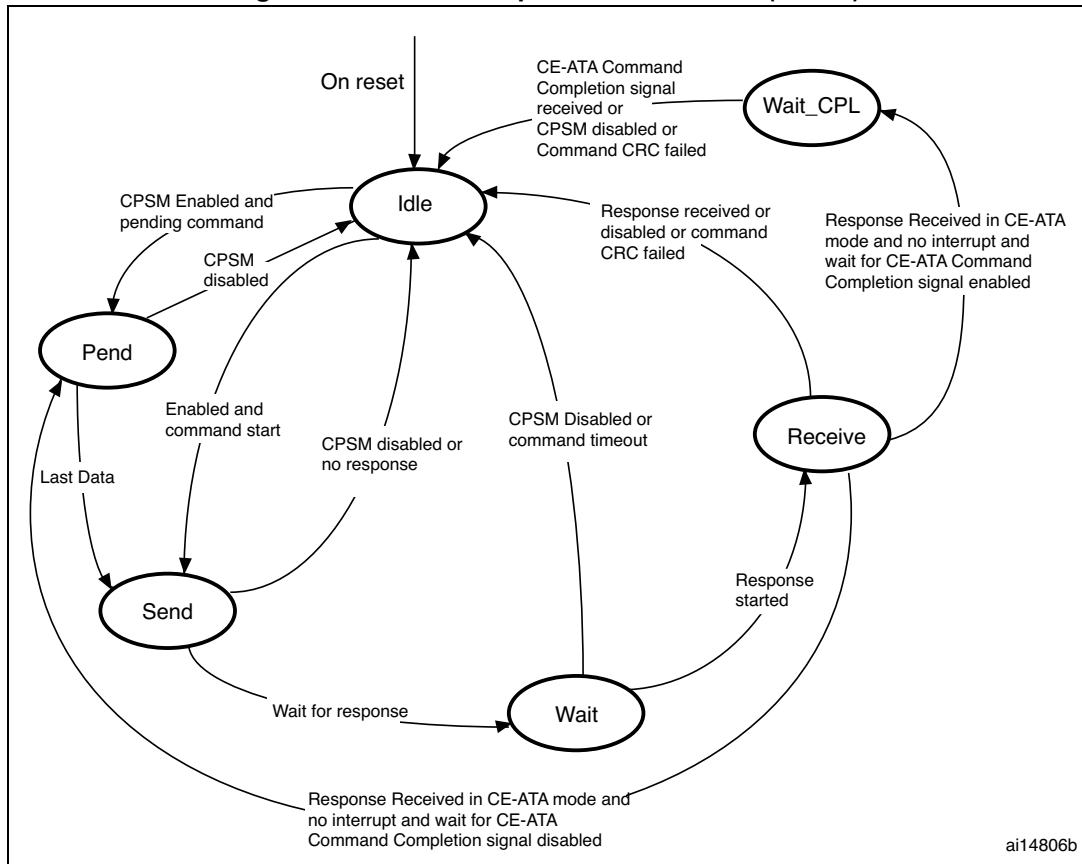
The command path unit sends commands to and receives responses from the cards.

Figure 292. SDIO adapter command path



- Command path state machine (CPSM)
 - When the command register is written to and the enable bit is set, command transfer starts. When the command has been sent, the command path state machine (CPSM) sets the status flags and enters the Idle state if a response is not required. If a response is required, it waits for the response (see [Figure 293](#)). When the response is received, the received CRC code and the internally generated code are compared, and the appropriate status flags are set.

Figure 293. Command path state machine (CPSM)



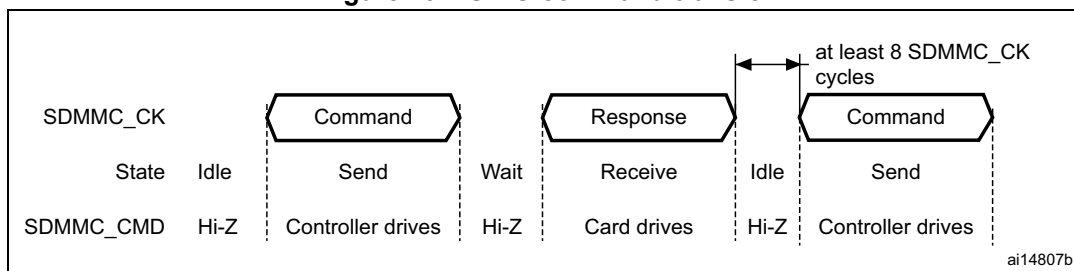
When the Wait state is entered, the command timer starts running. If the timeout is reached before the CPSM moves to the Receive state, the timeout flag is set and the Idle state is entered.

Note: The command timeout has a fixed value of 64 SDIO_{CK} clock periods.

If the interrupt bit is set in the command register, the timer is disabled and the CPSM waits for an interrupt request from one of the cards. If a pending bit is set in the command register, the CPSM enters the Pend state, and waits for a CmdPend signal from the data path subunit. When CmdPend is detected, the CPSM moves to the Send state. This enables the data counter to trigger the stop command transmission.

Note: The CPSM remains in the Idle state for at least eight SDIO_{CK} periods to meet the N_{CC} and N_{RC} timing constraints. N_{CC} is the minimum delay between two host commands, and N_{RC} is the minimum delay between the host command and the card response.

Figure 294. SDIO command transfer



- Command format
 - Command: a command is a token that starts an operation. Commands are sent from the host either to a single card (addressed command) or to all connected cards (broadcast command are available for MMC V3.31 or previous). Commands are transferred serially on the CMD line. All commands have a fixed length of 48 bits. The general format for a command token for MultiMediaCards, SD-Memory cards and SDIO-Cards is shown in [Table 104](#). CE-ATA commands are an extension of MMC commands V4.2, and so have the same format.

The command path operates in a half-duplex mode, so that commands and responses can either be sent or received. If the CPSM is not in the Send state, the SDIO_CMD output is in the Hi-Z state, as shown in [Figure 294](#). Data on SDIO_CMD are synchronous with the rising edge of SDIO_CK. [Table 104](#) shows the command format.

Table 104. Command format

Bit position	Width	Value	Description
47	1	0	Start bit
46	1	1	Transmission bit
[45:40]	6	-	Command index
[39:8]	32	-	Argument
[7:1]	7	-	CRC7
0	1	1	End bit

- Response: a response is a token that is sent from an addressed card (or synchronously from all connected cards for MMC V3.31 or previous), to the host as an answer to a previously received command. Responses are transferred serially on the CMD line.

The SDIO supports two response types. Both use CRC error checking:

- 48 bit short response
- 136 bit long response

Note: If the response does not contain a CRC (CMD1 response), the device driver must ignore the CRC failed status.

Table 105. Short response format

Bit position	Width	Value	Description
47	1	0	Start bit
46	1	0	Transmission bit
[45:40]	6	-	Command index
[39:8]	32	-	Argument
[7:1]	7	-	CRC7(or 1111111)
0	1	1	End bit

Table 106. Long response format

Bit position	Width	Value	Description
135	1	0	Start bit
134	1	0	Transmission bit
[133:128]	6	111111	Reserved
[127:1]	127	-	CID or CSD (including internal CRC7)
0	1	1	End bit

The command register contains the command index (six bits sent to a card) and the command type. These determine whether the command requires a response, and whether the response is 48 or 136 bits long (see [Section 26.9.4](#)). The command path implements the status flags shown in [Table 107](#):

Table 107. Command path status flags

Flag	Description
CMDREND	Set if response CRC is OK.
CCRCFAIL	Set if response CRC fails.
CMDSENT	Set when command (that does not require response) is sent
CTIMEOUT	Response timeout.
CMDACT	Command transfer in progress.

The CRC generator calculates the CRC checksum for all bits before the CRC code. This includes the start bit, transmitter bit, command index, and command argument (or card status). The CRC checksum is calculated for the first 120 bits of CID or CSD for the long response format. Note that the start bit, transmitter bit and the six reserved bits are not used in the CRC calculation.

The CRC checksum is a 7-bit value:

$$\text{CRC}[6:0] = \text{Remainder} [(M(x) * x^7) / G(x)]$$

$$G(x) = x^7 + x^3 + 1$$

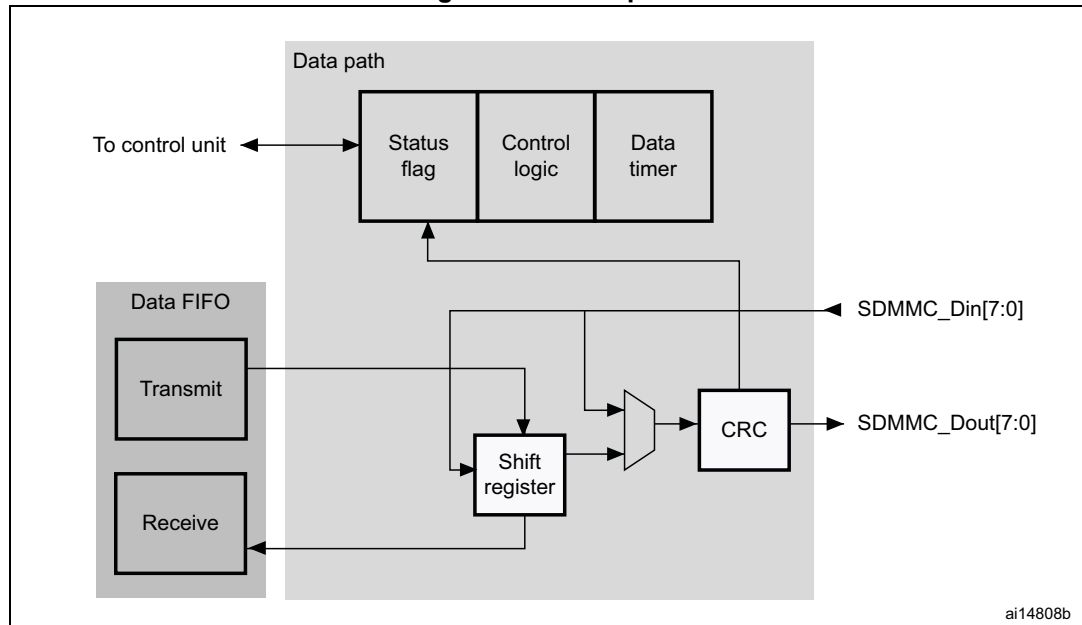
$$M(x) = (\text{start bit}) * x^{39} + \dots + (\text{last bit before CRC}) * x^0, \text{ or}$$

$$M(x) = (\text{start bit}) * x^{119} + \dots + (\text{last bit before CRC}) * x^0$$

Data path

The data path subunit transfers data to and from cards. [Figure 295](#) shows a block diagram of the data path.

Figure 295. Data path



The card databus width can be programmed using the clock control register. If the 4-bit wide bus mode is enabled, data is transferred at four bits per clock cycle over all four data signals (SDIO_D[3:0]). If the 8-bit wide bus mode is enabled, data is transferred at eight bits per clock cycle over all eight data signals (SDIO_D[7:0]). If the wide bus mode is not enabled, only one bit per clock cycle is transferred over SDIO_D0.

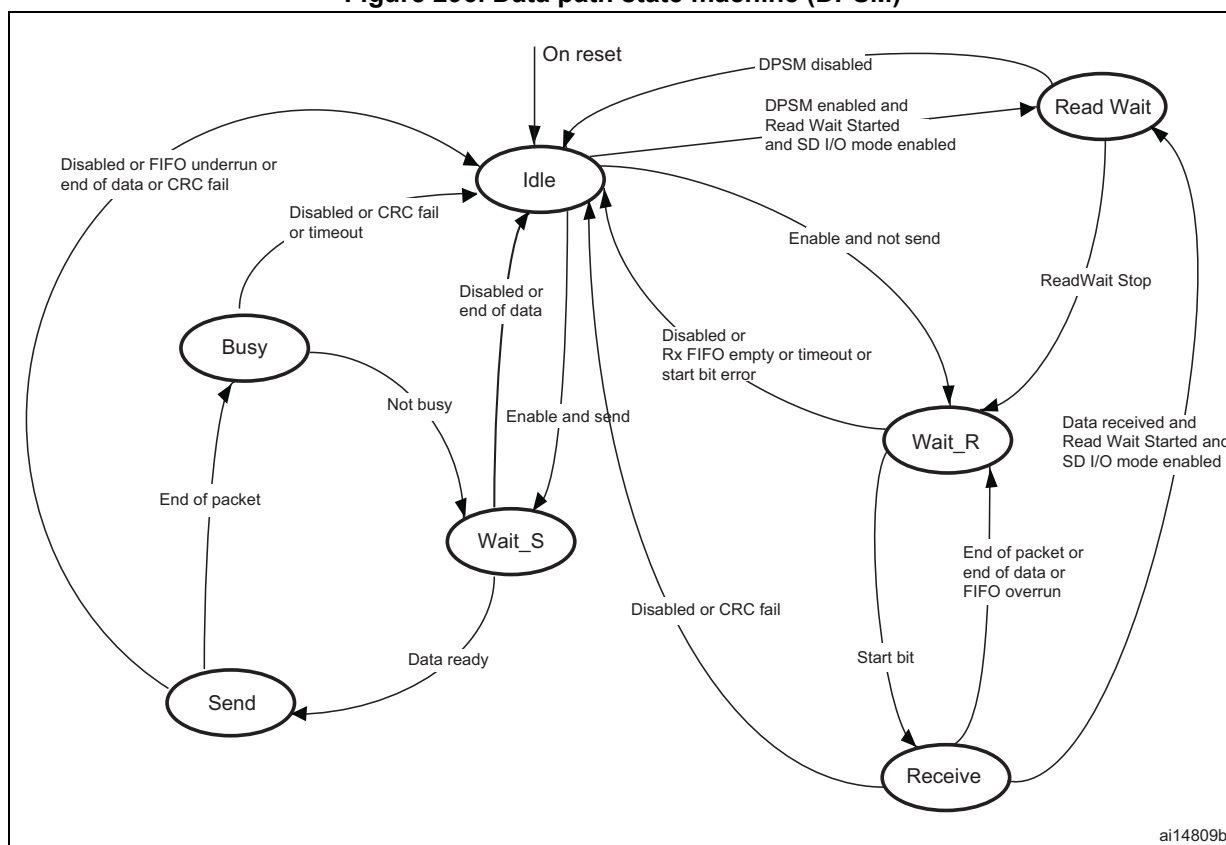
Depending on the transfer direction (send or receive), the data path state machine (DPSM) moves to the Wait_S or Wait_R state when it is enabled:

- Send: the DPSM moves to the Wait_S state. If there is data in the transmit FIFO, the DPSM moves to the Send state, and the data path subunit starts sending data to a card.
- Receive: the DPSM moves to the Wait_R state and waits for a start bit. When it receives a start bit, the DPSM moves to the Receive state, and the data path subunit starts receiving data from a card.

Data path state machine (DPSM)

The DPSM operates at SDIO_CK frequency. Data on the card bus signals is synchronous to the rising edge of SDIO_CK. The DPSM has six states, as shown in [Figure 296](#).

Figure 296. Data path state machine (DPSM)



- Idle: the data path is inactive, and the SDIO_D[7:0] outputs are in Hi-Z. When the data control register is written and the enable bit is set, the DPSM loads the data counter with a new value and, depending on the data direction bit, moves to either the Wait_S or the Wait_R state.
 - Wait_R: if the data counter equals zero, the DPSM moves to the Idle state when the receive FIFO is empty. If the data counter is not zero, the DPSM waits for a start bit on SDIO_D. The DPSM moves to the Receive state if it receives a start bit before a timeout, and loads the data block counter. If it reaches a timeout before it detects a start bit, or a start bit error occurs, it moves to the Idle state and sets the timeout status flag.
 - Receive: serial data received from a card is packed in bytes and written to the data FIFO. Depending on the transfer mode bit in the data control register, the data transfer mode can be either block or stream:
 - In block mode, when the data block counter reaches zero, the DPSM waits until it receives the CRC code. If the received code matches the internally generated CRC code, the DPSM moves to the Wait_R state. If not, the CRC fail status flag is set and the DPSM moves to the Idle state.
 - In stream mode, the DPSM receives data while the data counter is not zero. When the counter is zero, the remaining data in the shift register is written to the data FIFO, and the DPSM moves to the Wait_R state.
- If a FIFO overrun error occurs, the DPSM sets the FIFO error flag and moves to the Idle state:

- Wait_S: the DPSM moves to the Idle state if the data counter is zero. If not, it waits until the data FIFO empty flag is deasserted, and moves to the Send state.

Note: The DPSM remains in the Wait_S state for at least two clock periods to meet the N_{WR} timing requirements, where N_{WR} is the number of clock cycles between the reception of the card response and the start of the data transfer from the host.

- Send: the DPSM starts sending data to a card. Depending on the transfer mode bit in the data control register, the data transfer mode can be either block or stream:
 - In block mode, when the data block counter reaches zero, the DPSM sends an internally generated CRC code and end bit, and moves to the Busy state.
 - In stream mode, the DPSM sends data to a card while the enable bit is high and the data counter is not zero. It then moves to the Idle state.

If a FIFO underrun error occurs, the DPSM sets the FIFO error flag and moves to the Idle state.

- Busy: the DPSM waits for the CRC status flag:
 - If it does not receive a positive CRC status, it moves to the Idle state and sets the CRC fail status flag.
 - If it receives a positive CRC status, it moves to the Wait_S state if SDIO_D0 is not low (the card is not busy).

If a timeout occurs while the DPSM is in the Busy state, it sets the data timeout flag and moves to the Idle state.

The data timer is enabled when the DPSM is in the Wait_R or Busy state, and generates the data timeout error:

- When transmitting data, the timeout occurs if the DPSM stays in the Busy state for longer than the programmed timeout period
- When receiving data, the timeout occurs if the end of the data is not true, and if the DPSM stays in the Wait_R state for longer than the programmed timeout period.
- **Data:** data can be transferred from the card to the host or vice versa. Data is transferred via the data lines. They are stored in a FIFO of 32 words, each word is 32 bits wide.

Table 108. Data token format

Description	Start bit	Data	CRC16	End bit
Block data	0	-	Yes	1
Stream data	0	-	No	1

Data FIFO

The data FIFO (first-in-first-out) subunit is a data buffer with a transmit and receive unit.

The FIFO contains a 32-bit wide, 32-word deep data buffer, and transmit and receive logic. Because the data FIFO operates in the APB2 clock domain (PCLK2), all signals from the subunits in the SDIO clock domain (SDIOCLK) are resynchronized.

Depending on the TXACT and RXACT flags, the FIFO can be disabled, transmit enabled, or receive enabled. TXACT and RXACT are driven by the data path subunit and are mutually exclusive:

- The transmit FIFO refers to the transmit logic and data buffer when TXACT is asserted
- The receive FIFO refers to the receive logic and data buffer when RXACT is asserted
- Transmit FIFO:

Data can be written to the transmit FIFO through the APB2 interface when the SDIO is enabled for transmission.

The transmit FIFO is accessible via 32 sequential addresses. The transmit FIFO contains a data output register that holds the data word pointed to by the read pointer. When the data path subunit has loaded its shift register, it increments the read pointer and drives new data out.

If the transmit FIFO is disabled, all status flags are deasserted. The data path subunit asserts TXACT when it transmits data.

Table 109. Transmit FIFO status flags

Flag	Description
TXFIFO	Set to high when all 32 transmit FIFO words contain valid data.
TXFIFOE	Set to high when the transmit FIFO does not contain valid data.
TXFIFOHE	Set to high when 8 or more transmit FIFO words are empty. This flag can be used as a DMA request.
TXDAVL	Set to high when the transmit FIFO contains valid data. This flag is the inverse of the TXFIFOE flag.
TXUNDERR	Set to high when an underrun error occurs. This flag is cleared by writing to the SDIO Clear register.

- Receive FIFO

When the data path subunit receives a word of data, it drives the data on the write databus. The write pointer is incremented after the write operation completes. On the read side, the contents of the FIFO word pointed to by the current value of the read pointer is driven onto the read databus. If the receive FIFO is disabled, all status flags are deasserted, and the read and write pointers are reset. The data path subunit asserts RXACT when it receives data. [Table 110](#) lists the receive FIFO status flags. The receive FIFO is accessible via 32 sequential addresses.

Table 110. Receive FIFO status flags

Flag	Description
RXFIFO	Set to high when all 32 receive FIFO words contain valid data
RXFIFOE	Set to high when the receive FIFO does not contain valid data.
RXFIFOHF	Set to high when 8 or more receive FIFO words contain valid data. This flag can be used as a DMA request.
RXDAVL	Set to high when the receive FIFO is not empty. This flag is the inverse of the RXFIFOE flag.
RXOVERR	Set to high when an overrun error occurs. This flag is cleared by writing to the SDIO Clear register.

26.3.2 SDIO APB2 interface

The APB2 interface generates the interrupt and DMA requests, and accesses the SDIO adapter registers and the data FIFO. It consists of a data path, register decoder, and interrupt/DMA logic.

SDIO interrupts

The interrupt logic generates an interrupt request signal that is asserted when at least one of the selected status flags is high. A mask register is provided to allow selection of the conditions that generate an interrupt. A status flag generates the interrupt request if a corresponding mask flag is set.

SDIO/DMA interface - Procedure for data transfers between SDIO and memory

In the example shown, the transfer is from the SDIO host controller to an MMC (512 bytes using CMD24 (WRITE_BLOCK)). The SDIO FIFO is filled by data stored in a memory using the DMA controller.

1. Do the card identification process
2. Increase the SDIO_CK frequency
3. Select the card by sending CMD7
4. Configure the DMA2 as follows:
 - a) Enable DMA2 controller and clear any pending interrupts.
 - b) Program the DMA2_Stream3 or DMA2_Stream6 Channel4 source address register with the memory location's base address and DMA2_Stream3 or DMA2_Stream6 Channel4 destination address register with the SDIO_FIFO register address.
 - c) Program DMA2_Stream3 or DMA2_Stream6 Channel4 control register (memory increment, not peripheral increment, peripheral and source width is word size).
 - d) Program DMA2_Stream3 or DMA2_Stream6 Channel4 to select the peripheral as flow controller (set PFCTRL bit in DMA_S3CR or DMA_S6CR configuration register).
 - e) Configure the incremental burst transfer to 4 beats (at least from peripheral side) in DMA2_Stream3 or DMA2_Stream6 Channel4.

- f) Enable DMA2_Stream3 or DMA2_Stream6 Channel4
5. Send CMD24 (WRITE_BLOCK) as follows:
 - a) Program the SDIO data length register (SDIO data timer register should be already programmed before the card identification process).
 - b) Program the SDIO argument register with the address location of the card where data is to be transferred.
 - c) Program the SDIO command register: CmdIndex with 24 (WRITE_BLOCK); WaitResp with '1' (SDIO card host waits for a response); CPSMEN with '1' (SDIO card host enabled to send a command). Other fields are at their reset value.
 - d) Wait for SDIO_STA[6] = CMDREND interrupt, then program the SDIO data control register: DTEN with '1' (SDIO card host enabled to send data); DTDIR with '0' (from controller to card); DTMODE with '0' (block data transfer); DMAEN with '1' (DMA enabled); DBLOCKSIZE with 0x9 (512 bytes). Other fields are don't care.
 - e) Wait for SDIO_STA[10] = DBCKEND.
6. Check that no channels are still enabled by polling the DMA Enabled Channel Status register.

26.4 Card functional description

26.4.1 Card identification mode

While in card identification mode the host resets all cards, validates the operation voltage range, identifies cards and sets a relative card address (RCA) for each card on the bus. All data communications in the card identification mode use the command line (CMD) only.

26.4.2 Card reset

The GO_IDLE_STATE command (CMD0) is the software reset command and it puts the MultiMediaCard and SD memory in the Idle state. The IO_RW_DIRECT command (CMD52) resets the SD I/O card. After power-up or CMD0, all cards output bus drivers are in the high-impedance state and the cards are initialized with a default relative card address (RCA=0x0001) and with a default driver stage register setting (lowest speed, highest driving current capability).

26.4.3 Operating voltage range validation

All cards can communicate with the SDIO card host using any operating voltage within the specification range. The supported minimum and maximum V_{DD} values are defined in the operation conditions register (OCR) on the card.

Cards that store the card identification number (CID) and card specific data (CSD) in the payload memory are able to communicate this information only under data-transfer V_{DD} conditions. When the SDIO card host module and the card have incompatible V_{DD} ranges, the card is not able to complete the identification cycle and cannot send CSD data. For this purpose, the special commands, SEND_OP_COND (CMD1), SD_APP_OP_COND (ACMD41 for SD Memory), and IO_SEND_OP_COND (CMD5 for SD I/O), are designed to provide a mechanism to identify and reject cards that do not match the V_{DD} range desired by the SDIO card host. The SDIO card host sends the required V_{DD} voltage window as the operand of these commands. Cards that cannot perform data transfer in the specified range disconnect from the bus and go to the inactive state.

By using these commands without including the voltage range as the operand, the SDIO card host can query each card and determine the common voltage range before placing out-of-range cards in the inactive state. This query is used when the SDIO card host is able to select a common voltage range or when the user requires notification that cards are not usable.

26.4.4 Card identification process

The card identification process differs for MultiMediaCards and SD cards. For MultiMediaCard cards, the identification process starts at clock rate F_{od} . The SDIO_CMD line output drivers are open-drain and allow parallel card operation during this process. The registration process is accomplished as follows:

1. The bus is activated.
2. The SDIO card host broadcasts `SEND_OP_COND` (CMD1) to receive operation conditions.
3. The response is the wired AND operation of the operation condition registers from all cards.
4. Incompatible cards are placed in the inactive state.
5. The SDIO card host broadcasts `ALL_SEND_CID` (CMD2) to all active cards.
6. The active cards simultaneously send their CID numbers serially. Cards with outgoing CID bits that do not match the bits on the command line stop transmitting and must wait for the next identification cycle. One card successfully transmits a full CID to the SDIO card host and enters the Identification state.
7. The SDIO card host issues `SET_RELATIVE_ADDR` (CMD3) to that card. This new address is called the relative card address (RCA); it is shorter than the CID and addresses the card. The assigned card changes to the Standby state, it does not react to further identification cycles, and its output switches from open-drain to push-pull.
8. The SDIO card host repeats steps 5 through 7 until it receives a timeout condition.

For the SD card, the identification process starts at clock rate F_{od} , and the SDIO_CMD line output drives are push-pull drivers instead of open-drain. The registration process is accomplished as follows:

1. The bus is activated.
2. The SDIO card host broadcasts `SD_APP_OP_COND` (ACMD41).
3. The cards respond with the contents of their operation condition registers.
4. The incompatible cards are placed in the inactive state.
5. The SDIO card host broadcasts `ALL_SEND_CID` (CMD2) to all active cards.
6. The cards send back their unique card identification numbers (CIDs) and enter the Identification state.
7. The SDIO card host issues `SET_RELATIVE_ADDR` (CMD3) to an active card with an address. This new address is called the relative card address (RCA); it is shorter than the CID and addresses the card. The assigned card changes to the Standby state. The SDIO card host can reissue this command to change the RCA. The RCA of the card is the last assigned value.
8. The SDIO card host repeats steps 5 through 7 with all active cards.

For the SD I/O card, the registration process is accomplished as follows:

1. The bus is activated.
2. The SDIO card host sends `IO_SEND_OP_COND` (CMD5).
3. The cards respond with the contents of their operation condition registers.
4. The incompatible cards are set to the inactive state.
5. The SDIO card host issues `SET_RELATIVE_ADDR` (CMD3) to an active card with an address. This new address is called the relative card address (RCA); it is shorter than the CID and addresses the card. The assigned card changes to the Standby state. The SDIO card host can reissue this command to change the RCA. The RCA of the card is the last assigned value.

26.4.5 Block write

During block write (CMD24 - 27) one or more blocks of data are transferred from the host to the card with a CRC appended to the end of each block by the host. A card supporting block write is always able to accept a block of data defined by `WRITE_BLK_LEN`. If the CRC fails, the card indicates the failure on the SDIO_D line and the transferred data are discarded and not written, and all further transmitted blocks (in multiple block write mode) are ignored.

If the host uses partial blocks whose accumulated length is not block aligned and, block misalignment is not allowed (CSD parameter `WRITE_BLK_MISALIGN` is not set), the card detects the block misalignment error before the beginning of the first misaligned block. (`ADDRESS_ERROR` error bit is set in the status register). The write operation is also aborted if the host tries to write over a write-protected area. In this case, however, the card sets the `WP_VIOLATION` bit.

Programming of the CID and CSD registers does not require a previous block length setting. The transferred data is also CRC protected. If a part of the CSD or CID register is stored in ROM, then this unchangeable part must match the corresponding part of the receive buffer. If this match fails, then the card reports an error and does not change any register contents. Some cards may require long and unpredictable times to write a block of data. After receiving a block of data and completing the CRC check, the card begins writing and holds the SDIO_D line low if its write buffer is full and unable to accept new data from a new `WRITE_BLOCK` command. The host may poll the status of the card with a `SEND_STATUS` command (CMD13) at any time, and the card responds with its status. The `READY_FOR_DATA` status bit indicates whether the card can accept new data or whether the write process is still in progress. The host may deselect the card by issuing CMD7 (to select a different card), which places the card in the Disconnect state and release the SDIO_D line(s) without interrupting the write operation. When selecting the card again, it reactivates busy indication by pulling SDIO_D to low if programming is still in progress and the write buffer is unavailable.

26.4.6 Block read

In Block read mode the basic unit of data transfer is a block whose maximum size is defined in the CSD (`READ_BLK_LEN`). If `READ_BLK_PARTIAL` is set, smaller blocks whose start and end addresses are entirely contained within one physical block (as defined by `READ_BLK_LEN`) may also be transmitted. A CRC is appended to the end of each block, ensuring data transfer integrity. CMD17 (`READ_SINGLE_BLOCK`) initiates a block read and after completing the transfer, the card returns to the Transfer state.

CMD18 (`READ_MULTIPLE_BLOCK`) starts a transfer of several consecutive blocks.

The host can abort reading at any time, within a multiple block operation, regardless of its type. Transaction abort is done by sending the stop transmission command.

If the card detects an error (for example, out of range, address misalignment or internal error) during a multiple block read operation (both types) it stops the data transmission and remains in the data state. The host must then abort the operation by sending the stop transmission command. The read error is reported in the response to the stop transmission command.

If the host sends a stop transmission command after the card transmits the last block of a multiple block operation with a predefined number of blocks, it is responded to as an illegal command, since the card is no longer in the data state. If the host uses partial blocks whose accumulated length is not block-aligned and block misalignment is not allowed, the card detects a block misalignment error condition at the beginning of the first misaligned block (ADDRESS_ERROR error bit is set in the status register).

26.4.7 Stream access, stream write and stream read (MultiMediaCard only)

In stream mode, data is transferred in bytes and no CRC is appended at the end of each block.

Stream write (MultiMediaCard only)

WRITE_DAT_UNTIL_STOP (CMD20) starts the data transfer from the SDIO card host to the card, beginning at the specified address and continuing until the SDIO card host issues a stop command. When partial blocks are allowed (CSD parameter WRITE_BL_PARTIAL is set), the data stream can start and stop at any address within the card address space, otherwise it can only start and stop at block boundaries. Because the amount of data to be transferred is not determined in advance, a CRC cannot be used. When the end of the memory range is reached while sending data and no stop command is sent by the SD card host, any additional transferred data are discarded.

The maximum clock frequency for a stream write operation is given by the following equation fields of the card-specific data register:

$$\text{Maximumspeed} = \text{MIN}(\text{TRANSPEED}, \frac{(8 \times 2^{\text{writeblen}})(-\text{NSAC})}{\text{TAAC} \times \text{R2WFACTOR}})$$

- Maximumspeed = maximum write frequency
- TRANSPEED = maximum data transfer rate
- writeblen = maximum write data block length
- NSAC = data read access time 2 in CLK cycles
- TAAC = data read access time 1
- R2WFACTOR = write speed factor

If the host attempts to use a higher frequency, the card may not be able to process the data and stop programming, set the OVERRUN error bit in the status register, and while ignoring all further data transfer, wait (in the receive data state) for a stop command. The write operation is also aborted if the host tries to write over a write-protected area. In this case, however, the card sets the WP_VIOLATION bit.

Stream read (MultiMediaCard only)

READ_DAT_UNTIL_STOP (CMD11) controls a stream-oriented data transfer.

This command instructs the card to send its data, starting at a specified address, until the SDIO card host sends `STOP_TRANSMISSION` (CMD12). The stop command has an execution delay due to the serial command transmission and the data transfer stops after the end bit of the stop command. When the end of the memory range is reached while sending data and no stop command is sent by the SDIO card host, any subsequent data sent are considered undefined.

The maximum clock frequency for a stream read operation is given by the following equation and uses fields of the card specific data register.

$$\text{Maximumspeed} = \text{MIN}(\text{TRANSPEED}, \frac{(8 \times 2^{\text{readblen}})(-\text{NSAC})}{\text{TAAC} \times \text{R2WFACTOR}})$$

- `Maximumspeed` = maximum read frequency
- `TRANSPEED` = maximum data transfer rate
- `readblen` = maximum read data block length
- `writeblen` = maximum write data block length
- `NSAC` = data read access time 2 in CLK cycles
- `TAAC` = data read access time 1
- `R2WFACTOR` = write speed factor

If the host attempts to use a higher frequency, the card is not able to sustain data transfer. If this happens, the card sets the `UNDERRUN` error bit in the status register, aborts the transmission and waits in the data state for a stop command.

26.4.8 Erase: group erase and sector erase

The erasable unit of the MultiMediaCard is the erase group. The erase group is measured in write blocks, which are the basic writable units of the card. The size of the erase group is a card-specific parameter and defined in the CSD.

The host can erase a contiguous range of Erase Groups. Starting the erase process is a three-step sequence.

First the host defines the start address of the range using the `ERASE_GROUP_START` (CMD35) command, next it defines the last address of the range using the `ERASE_GROUP_END` (CMD36) command and, finally, it starts the erase process by issuing the `ERASE` (CMD38) command. The address field in the erase commands is an Erase Group address in byte units. The card ignores all LSBs below the Erase Group size, effectively rounding the address down to the Erase Group boundary.

If an erase command is received out of sequence, the card sets the `ERASE_SEQ_ERROR` bit in the status register and resets the whole sequence.

If an out-of-sequence (neither of the erase commands, except `SEND_STATUS`) command received, the card sets the `ERASE_RESET` status bit in the status register, resets the erase sequence and executes the last command.

If the erase range includes write protected blocks, they are left intact and only unprotected blocks are erased. The `WP_ERASE_SKIP` status bit in the status register is set.

The card indicates that an erase is in progress by holding `SDIO_D` low. The actual erase time may be quite long, and the host may issue `CMD7` to deselect the card.

26.4.9 Wide bus selection or deselection

Wide bus (4-bit bus width) operation mode is selected or deselected using `SET_BUS_WIDTH` (ACMD6). The default bus width after power-up or `GO_IDLE_STATE` (CMD0) is 1 bit. `SET_BUS_WIDTH` (ACMD6) is only valid in a transfer state, which means that the bus width can be changed only after a card is selected by `SELECT/DESELECT_CARD` (CMD7).

26.4.10 Protection management

Three write protection methods for the cards are supported in the SDIO card host module:

1. internal card write protection (card responsibility)
2. mechanical write protection switch (SDIO card host module responsibility only)
3. password-protected card lock operation

Internal card write protection

Card data can be protected against write and erase. By setting the permanent or temporary write-protect bits in the CSD, the entire card can be permanently write-protected by the manufacturer or content provider. For cards that support write protection of groups of sectors by setting the `WP_GRP_ENABLE` bit in the CSD, portions of the data can be protected, and the write protection can be changed by the application. The write protection is in units of `WP_GRP_SIZE` sectors as specified in the CSD. The `SET_WRITE_PROT` and `CLR_WRITE_PROT` commands control the protection of the addressed group. The `SEND_WRITE_PROT` command is similar to a single block read command. The card sends a data block containing 32 write protection bits (representing 32 write protect groups starting at the specified address) followed by 16 CRC bits. The address field in the write protect commands is a group address in byte units.

The card ignores all LSBs below the group size.

Mechanical write protect switch

A mechanical sliding tab on the side of the card allows the user to set or clear the write protection on a card. When the sliding tab is positioned with the window open, the card is write-protected, and when the window is closed, the card contents can be changed. A matched switch on the socket side indicates to the SDIO card host module that the card is write-protected. The SDIO card host module is responsible for protecting the card. The position of the write protect switch is unknown to the internal circuitry of the card.

Password protect

The password protection feature enables the SDIO card host module to lock and unlock a card with a password. The password is stored in the 128-bit PWD register and its size is set in the 8-bit PWD_LEN register. These registers are nonvolatile so that a power cycle does not erase them. Locked cards respond to and execute certain commands. This means that the SDIO card host module is allowed to reset, initialize, select, and query for status, however it is not allowed to access data on the card. When the password is set (as indicated by a nonzero value of PWD_LEN), the card is locked automatically after power-up. As with the CSD and CID register write commands, the lock/unlock commands are available in the transfer state only. In this state, the command does not include an address argument and the card must be selected before using it. The card lock/unlock commands have the structure and bus transaction types of a regular single-block write command. The transferred data block includes all of the required information for the command (the

password setting mode, the PWD itself, and card lock/unlock). The command data block size is defined by the SDIO card host module before it sends the card lock/unlock command, and has the structure shown in [Table 124](#).

The bit settings are as follows:

- ERASE: setting it forces an erase operation. All other bits must be zero, and only the command byte is sent
- LOCK_UNLOCK: setting it locks the card. LOCK_UNLOCK can be set simultaneously with SET_PWD, however not with CLR_PWD
- CLR_PWD: setting it clears the password data
- SET_PWD: setting it saves the password data to memory
- PWD_LEN: it defines the length of the password in bytes
- PWD: the password (new or currently used, depending on the command)

The following sections list the command sequences to set/reset a password, lock/unlock the card, and force an erase.

Setting the password

1. Select a card (`SELECT/DESELECT_CARD`, CMD7), if none is already selected.
2. Define the block length (`SET_BLOCKLEN`, CMD16) to send, given by the 8-bit card lock/unlock mode, the 8-bit `PWD_LEN`, and the number of bytes of the new password. When a password replacement is done, the block size must take into account that both the old and the new passwords are sent with the command.
3. Send `LOCK/UNLOCK` (CMD42) with the appropriate data block size on the data line including the 16-bit CRC. The data block indicates the mode (`SET_PWD = 1`), the length (`PWD_LEN`), and the password (PWD) itself. When a password replacement is done, the length value (`PWD_LEN`) includes the length of both passwords, the old and the new one, and the PWD field includes the old password (currently used) followed by the new password.
4. When the password is matched, the new password and its size are saved into the PWD and `PWD_LEN` fields, respectively. When the old password sent does not correspond (in size and/or content) to the expected password, the `LOCK_UNLOCK_FAILED` error bit is set in the card status register, and the password is not changed.

The password length field (`PWD_LEN`) indicates whether a password is currently set. When this field is nonzero, there is a password set and the card locks itself after power-up. It is possible to lock the card immediately in the current power session by setting the `LOCK_UNLOCK` bit (while setting the password) or sending an additional command for card locking.

Resetting the password

1. Select a card (`SELECT/DESELECT_CARD`, CMD7), if none is already selected.
2. Define the block length (`SET_BLOCKLEN`, CMD16) to send, given by the 8-bit card lock/unlock mode, the 8-bit `PWD_LEN`, and the number of bytes in the currently used password.
3. Send `LOCK/UNLOCK` (CMD42) with the appropriate data block size on the data line including the 16-bit CRC. The data block indicates the mode (`CLR_PWD = 1`), the length (`PWD_LEN`) and the password (PWD) itself. The `LOCK_UNLOCK` bit is ignored.
4. When the password is matched, the PWD field is cleared and `PWD_LEN` is set to 0. When the password sent does not correspond (in size and/or content) to the expected

password, the LOCK_UNLOCK_FAILED error bit is set in the card status register, and the password is not changed.

Locking a card

1. Select a card (SELECT/DESELECT_CARD, CMD7), if none is already selected.
2. Define the block length (SET_BLOCKLEN, CMD16) to send, given by the 8-bit card lock/unlock mode (byte 0 in [Table 124](#)), the 8-bit PWD_LEN, and the number of bytes of the current password.
3. Send LOCK/UNLOCK (CMD42) with the appropriate data block size on the data line including the 16-bit CRC. The data block indicates the mode (LOCK_UNLOCK = 1), the length (PWD_LEN), and the password (PWD) itself.
4. When the password is matched, the card is locked and the CARD_IS_LOCKED status bit is set in the card status register. When the password sent does not correspond (in size and/or content) to the expected password, the LOCK_UNLOCK_FAILED error bit is set in the card status register, and the lock fails.

It is possible to set the password and to lock the card in the same sequence. In this case, the SDIO card host module performs all the required steps for setting the password (see [Setting the password](#)), however it is necessary to set the LOCK_UNLOCK bit in Step 3 when the new password command is sent.

When the password is previously set (PWD_LEN is not 0), the card is locked automatically after power-on reset. An attempt to lock a locked card or to lock a card that does not have a password fails and the LOCK_UNLOCK_FAILED error bit is set in the card status register.

Unlocking the card

1. Select a card (SELECT/DESELECT_CARD, CMD7), if none is already selected.
2. Define the block length (SET_BLOCKLEN, CMD16) to send, given by the 8-bit cardlock/unlock mode (byte 0 in [Table 124](#)), the 8-bit PWD_LEN, and the number of bytes of the current password.
3. Send LOCK/UNLOCK (CMD42) with the appropriate data block size on the data line including the 16-bit CRC. The data block indicates the mode (LOCK_UNLOCK = 0), the length (PWD_LEN), and the password (PWD) itself.
4. When the password is matched, the card is unlocked and the CARD_IS_LOCKED status bit is cleared in the card status register. When the password sent is not correct in size and/or content and does not correspond to the expected password, the LOCK_UNLOCK_FAILED error bit is set in the card status register, and the card remains locked.

The unlocking function is only valid for the current power session. When the PWD field is not clear, the card is locked automatically on the next power-up.

An attempt to unlock an unlocked card fails and the LOCK_UNLOCK_FAILED error bit is set in the card status register.

Forcing erase

If the user has forgotten the password (PWD content), it is possible to access the card after clearing all the data on the card. This forced erase operation erases all card data and all password data.

1. Select a card (`SELECT/DESELECT_CARD`, CMD7), if none is already selected.
2. Set the block length (`SET_BLOCKLEN`, CMD16) to 1 byte. Only the 8-bit card lock/unlock byte (byte 0 in [Table 124](#)) is sent.
3. Send `LOCK/UNLOCK` (CMD42) with the appropriate data byte on the data line including the 16-bit CRC. The data block indicates the mode (ERASE = 1). All other bits must be zero.
4. When the ERASE bit is the only bit set in the data field, all card contents are erased, including the PWD and PWD_LEN fields, and the card is no longer locked. When any other bits are set, the `LOCK_UNLOCK_FAILED` error bit is set in the card status register and the card retains all of its data, and remains locked.

An attempt to use a force erase on an unlocked card fails and the `LOCK_UNLOCK_FAILED` error bit is set in the card status register.

26.4.11 Card status register

The response format R1 contains a 32-bit field named card status. This field is intended to transmit the card status information (which may be stored in a local status register) to the host. If not specified otherwise, the status entries are always related to the previously issued command.

[Table 111](#) defines the different entries of the status. The type and clear condition fields in the table are abbreviated as follows:

Type:

- E: error bit
- S: status bit
- R: detected and set for the actual command response
- X: detected and set during command execution. The SDIO card host must poll the card by issuing the status command to read these bits.

Clear condition:

- A: according to the card current state
- B: always related to the previous command. Reception of a valid command clears it (with a delay of one command)
- C: clear by read

Table 111. Card status

Bits	Identifier	Type	Value	Description	Clear condition
31	ADDRESS_OUT_OF_RANGE	E R X	0 = no error 1 = error	The command address argument was out of the allowed range for this card. A multiple block or stream read/write operation is (although started in a valid address) attempting to read or write beyond the card capacity.	C
30	ADDRESS_MISALIGN	-	0 = no error 1 = error	The commands address argument (in accordance with the currently set block length) positions the first data block misaligned to the card physical blocks. A multiple block read/write operation (although started with a valid address/block-length combination) is attempting to read or write a data block which is not aligned with the physical blocks of the card.	C
29	BLOCK_LEN_ERROR	-	0 = no error 1 = error	Either the argument of a SET_BLOCKLEN command exceeds the maximum value allowed for the card, or the previously defined block length is illegal for the current command (e.g. the host issues a write command, the current block length is smaller than the maximum allowed value for the card and it is not allowed to write partial blocks)	C
28	ERASE_SEQ_ERROR	-	0 = no error 1 = error	An error in the sequence of erase commands occurred.	C
27	ERASE_PARAM	E X	0 = no error 1 = error	An invalid selection of erase groups for erase occurred.	C
26	WP_VIOLATION	E X	0 = no error 1 = error	Attempt to program a write-protected block.	C
25	CARD_IS_LOCKED	S R	'0 = card unlocked 1 = card locked	When set, signals that the card is locked by the host	A
24	LOCK_UNLOCK_FAILED	E X	0 = no error 1 = error	Set when a sequence or password error has been detected in lock/unlock card command	C
23	COM_CRC_ERROR	E R	0 = no error 1 = error	The CRC check of the previous command failed.	B
22	ILLEGAL_COMMAND	E R	0 = no error 1 = error	Command not legal for the card state	B
21	CARD_ECC_FAILED	E X	0 = success 1 = failure	Card internal ECC was applied but failed to correct the data.	C
20	CC_ERROR	E R	0 = no error 1 = error	(Undefined by the standard) A card error occurred, which is not related to the host command.	C

Table 111. Card status (continued)

Bits	Identifier	Type	Value	Description	Clear condition
19	ERROR	E X	0 = no error 1 = error	(Undefined by the standard) A generic card error related to the (and detected during) execution of the last host command (e.g. read or write failures).	C
18	Reserved				
17	Reserved				
16	CID/CSD_OVERWRITE	E X	0 = no error 1 = error	Can be either of the following errors: – The CID register has already been written and cannot be overwritten – The read-only section of the CSD does not match the card contents – An attempt to reverse the copy (set as original) or permanent WP (unprotected) bits was made	C
15	WP_ERASE_SKIP	E X	0 = not protected 1 = protected	Set when only partial address space was erased due to existing write	C
14	CARD_ECC_DISABLED	S X	0 = enabled 1 = disabled	The command has been executed without using the internal ECC.	A
13	ERASE_RESET	-	0 = cleared 1 = set	An erase sequence was cleared before executing because an out of erase sequence command was received (commands other than CMD35, CMD36, CMD38 or CMD13)	C
12:9	CURRENT_STATE	S R	0 = Idle 1 = Ready 2 = Ident 3 = Stby 4 = Tran 5 = Data 6 = Rcv 7 = Prg 8 = Dis 9 = Btst 10-15 = reserved	The state of the card when receiving the command. If the command execution causes a state change, it is visible to the host in the response on the next command. The four bits are interpreted as a binary number between 0 and 15.	B
8	READY_FOR_DATA	S R	0 = not ready '1' = ready	Corresponds to buffer empty signalling on the bus	-
7	SWITCH_ERROR	E X	0 = no error 1 = switch error	If set, the card did not switch to the expected mode as requested by the SWITCH command	B
6	Reserved				
5	APP_CMD	S R	'0' = Disabled '1' = Enabled	The card expects ACMD, or an indication that the command has been interpreted as ACMD	C
4	Reserved for SD I/O Card				

Table 111. Card status (continued)

Bits	Identifier	Type	Value	Description	Clear condition
3	AKE_SEQ_ERROR	E R	0 = no error 1 = error	Error in the sequence of the authentication process	C
2	Reserved for application specific commands				
1	Reserved for manufacturer test mode				
0					

26.4.12 SD status register

The SD status contains status bits that are related to the SD memory card proprietary features and may be used for future application-specific usage. The size of the SD Status is one data block of 512 bits. The contents of this register are transmitted to the SDIO card host if ACMD13 is sent (CMD55 followed with CMD13). ACMD13 can be sent to a card in transfer state only (card is selected).

[Table 112](#) defines the different entries of the SD status register. The type and clear condition fields in the table are abbreviated as follows:

Type:

- E: error bit
- S: status bit
- R: detected and set for the actual command response
- X: detected and set during command execution. The SDIO card Host must poll the card by issuing the status command to read these bits

Clear condition:

- A: according to the card current state
- B: always related to the previous command. Reception of a valid command clears it (with a delay of one command)
- C: clear by read

Table 112. SD status

Bits	Identifier	Type	Value	Description	Clear condition
511: 510	DAT_BUS_WIDTH	S R	00 = 1 (default) 01 = reserved 10 = 4-bit width 11 = reserved	Shows the currently defined databus width that was defined by SET_BUS_WIDTH command	A
509	SECURED_MODE	S R	0 = Not in the mode 1 = In Secured Mode	Card is in Secured Mode of operation (refer to the “SD Security Specification”).	A
508: 496	Reserved				

Table 112. SD status (continued)

Bits	Identifier	Type	Value	Description	Clear condition
495: 480	SD_CARD_TYPE	S R	'00xxh'= SD Memory Cards as defined in Physical Spec Ver1.01-2.00 ('x'= don't care). The following cards are currently defined: '0000'= Regular SD RD/WR Card. '0001'= SD ROM Card	In the future, the 8 LSBs are used to define different variations of an SD memory card (each bit defines different SD types). The 8 MSBs are used to define SD Cards that do not comply with current SD physical layer specification.	A
479: 448	SIZE_OF_PROTECTED_AREA	S R	Size of protected area (see below)	See below	A
447: 440	SPEED_CLASS	S R	Speed Class of the card (see below)	See below	A
439: 432	PERFORMANCE_MOVE	S R	Performance of move indicated by 1 [MB/s] step (see below)	See below	A
431:428	AU_SIZE	S R	Size of AU (see below)	See below	A
427:424	Reserved				
423:408	ERASE_SIZE	S R	Number of AUs to be erased at a time	See below	A
407:402	ERASE_TIMEOUT	S R	Timeout value for erasing areas specified by UNIT_OF_ERASE_AU	See below	A
401:400	ERASE_OFFSET	S R	Fixed offset value added to erase time.	See below	A
399:312	Reserved				
311:0	Reserved for Manufacturer				

SIZE_OF_PROTECTED_AREA

Setting this field differs between standard- and high-capacity cards. In the case of a standard-capacity card, the capacity of protected area is calculated as follows:

$$\text{Protected area} = \text{SIZE_OF_PROTECTED_AREA} \times \text{MULT} \times \text{BLOCK_LEN}.$$

SIZE_OF_PROTECTED_AREA is specified by the unit in MULT*BLOCK_LEN.

In the case of a high-capacity card, the capacity of protected area is specified in this field:

$$\text{Protected area} = \text{SIZE_OF_PROTECTED_AREA}$$

SIZE_OF_PROTECTED_AREA is specified by the unit in bytes.

SPEED_CLASS

This 8-bit field indicates the speed class and the value can be calculated by $P_W/2$ (where P_W is the write performance).

Table 113. Speed class code field

SPEED_CLASS	Value definition
00h	Class 0
01h	Class 2
02h	Class 4
03h	Class 6
04h – FFh	Reserved

PERFORMANCE_MOVE

This 8-bit field indicates Pm (performance move) and the value can be set by 1 [MB/sec] steps. If the card does not move used RUs (recording units), Pm should be considered as infinity. Setting the field to FFh means infinity.

Table 114. Performance move field

PERFORMANCE_MOVE	Value definition
00h	Not defined
01h	1 [MB/sec]
02h	02h 2 [MB/sec]
-----	-----
FEh	254 [MB/sec]
FFh	Infinity

AU_SIZE

This 4-bit field indicates the AU size and the value can be selected in the power of 2 base from 16 KB.

Table 115. AU_SIZE field

AU_SIZE	Value definition
00h	Not defined
01h	16 KB
02h	32 KB
03h	64 KB
04h	128 KB
05h	256 KB
06h	512 KB
07h	1 MB
08h	2 MB

Table 115. AU_SIZE field (continued)

AU_SIZE	Value definition
09h	4 MB
Ah – Fh	Reserved

The maximum AU size, which depends on the card capacity, is defined in [Table 116](#). The card can be set to any AU size between RU size and maximum AU size.

Table 116. Maximum AU size

Capacity	16 MB-64 MB	128 MB-256 MB	512 MB	1 GB-32 GB
Maximum AU Size	512 KB	1 MB	2 MB	4 MB

ERASE_SIZE

This 16-bit field indicates NERASE. When NERASE numbers of AUs are erased, the timeout value is specified by ERASE_TIMEOUT (Refer to [ERASE_TIMEOUT](#)). The host should determine the proper number of AUs to be erased in one operation so that the host can show the progress of the erase operation. If this field is set to 0, the erase timeout calculation is not supported.

Table 117. Erase size field

ERASE_SIZE	Value definition
0000h	Erase timeout calculation is not supported.
0001h	1 AU
0002h	2 AU
0003h	3 AU
-----	-----
FFFFh	65535 AU

ERASE_TIMEOUT

This 6-bit field indicates TERASE and the value indicates the erase timeout from offset when multiple AUs are being erased as specified by ERASE_SIZE. The range of ERASE_TIMEOUT can be defined as up to 63 seconds and the card manufacturer can choose any combination of ERASE_SIZE and ERASE_TIMEOUT depending on the implementation. Determining ERASE_TIMEOUT determines the ERASE_SIZE.

Table 118. Erase timeout field

ERASE_TIMEOUT	Value definition
00	Erase timeout calculation is not supported.
01	1 [sec]
02	2 [sec]
03	3 [sec]

Table 118. Erase timeout field (continued)

ERASE_TIMEOUT	Value definition
-----	-----
63	63 [sec]

ERASE_OFFSET

This 2-bit field indicates T_{OFFSET} and one of four values can be selected. This field is meaningless if the ERASE_SIZE and ERASE_TIMEOUT fields are set to 0.

Table 119. Erase offset field

ERASE_OFFSET	Value definition
0h	0 [sec]
1h	1 [sec]
2h	2 [sec]
3h	3 [sec]

26.4.13 SD I/O mode**SD I/O interrupts**

To allow the SD I/O card to interrupt the MultiMediaCard/SD module, an interrupt function is available on a pin on the SD interface. Pin 8, used as SDIO_D1 when operating in the 4-bit SD mode, signals the cards interrupt to the MultiMediaCard/SD module. The use of the interrupt is optional for each card or function within a card. The SD I/O interrupt is level-sensitive, which means that the interrupt line must be held active (low) until it is either recognized and acted upon by the MultiMediaCard/SD module or deasserted due to the end of the interrupt period. After the MultiMediaCard/SD module has serviced the interrupt, the interrupt status bit is cleared via an I/O write to the appropriate bit in the SD I/O card's internal registers. The interrupt output of all SD I/O cards is active low and the application must provide external pull-up resistors on all data lines (SDIO_D[3:0]). The MultiMediaCard/SD module samples the level of pin 8 (SDIO_D/IRQ) into the interrupt detector only during the interrupt period. At all other times, the MultiMediaCard/SD module ignores this value.

The interrupt period is applicable for both memory and I/O operations. The definition of the interrupt period for operations with single blocks is different from the definition for multiple-block data transfers.

SD I/O suspend and resume

Within a multifunction SD I/O or a card with both I/O and memory functions, there are multiple devices (I/O and memory) that share access to the MMC/SD bus. To share access to the MMC/SD module among multiple devices, SD I/O and combo cards optionally implement the concept of suspend/resume. When a card supports suspend/resume, the MMC/SD module can temporarily halt a data transfer operation to one function or memory (suspend) to free the bus for a higher-priority transfer to a different function or memory. After this higher-priority transfer is complete, the original transfer is resumed (restarted) where it left off. Support of suspend/resume is optional on a per-card basis. To perform the

suspend/resume operation on the MMC/SD bus, the MMC/SD module performs the following steps:

1. Determines the function currently using the SDIO_D [3:0] line(s)
2. Requests the lower-priority or slower transaction to suspend
3. Waits for the transaction suspension to complete
4. Begins the higher-priority transaction
5. Waits for the completion of the higher priority transaction
6. Restores the suspended transaction

SD I/O ReadWait

The optional ReadWait (RW) operation is defined only for the SD 1-bit and 4-bit modes. The ReadWait operation allows the MMC/SD module to signal a card that it is reading multiple registers (IO_RW_EXTENDED, CMD53) to temporarily stall the data transfer while allowing the MMC/SD module to send commands to any function within the SD I/O device. To determine when a card supports the ReadWait protocol, the MMC/SD module must test capability bits in the internal card registers. The timing for ReadWait is based on the interrupt period.

26.4.14 Commands and responses

Application-specific and general commands

The SD card host module system is designed to provide a standard interface for a variety of applications types. In this environment, there is a need for specific customer/application features. To implement these features, two types of generic commands are defined in the standard: application-specific commands (ACMD) and general commands (GEN_CMD).

When the card receives the APP_CMD (CMD55) command, the card expects the next command to be an application-specific command. ACMDs have the same structure as regular MultiMediaCard commands and can have the same CMD number. The card recognizes it as ACMD because it appears after APP_CMD (CMD55). When the command immediately following the APP_CMD (CMD55) is not a defined application-specific command, the standard command is used. For example, when the card has a definition for SD_STATUS (ACMD13), and receives CMD13 immediately following APP_CMD (CMD55), this is interpreted as SD_STATUS (ACMD13). However, when the card receives CMD7 immediately following APP_CMD (CMD55) and the card does not have a definition for ACMD7, this is interpreted as the standard (SELECT/DESELECT_CARD) CMD7.

To use one of the manufacturer-specific ACMDs the SD card Host must perform the following steps:

1. Send APP_CMD (CMD55)
The card responds to the MultiMediaCard/SD module, indicating that the APP_CMD bit is set and an ACMD is now expected.
2. Send the required ACMD
The card responds to the MultiMediaCard/SD module, indicating that the APP_CMD bit is set and that the accepted command is interpreted as an ACMD. When a nonACMD is sent, it is handled by the card as a normal MultiMediaCard command and the APP_CMD bit in the card status register stays clear.

When an invalid command is sent (neither ACMD nor CMD) it is handled as a standard MultiMediaCard illegal command error.

The bus transaction for a GEN_CMD is the same as the single-block read or write commands (WRITE_BLOCK, CMD24 or READ_SINGLE_BLOCK, CMD17). In this case, the argument denotes the direction of the data transfer rather than the address, and the data block has vendor-specific format and meaning.

The card must be selected (in transfer state) before sending GEN_CMD (CMD56). The data block size is defined by SET_BLOCKLEN (CMD16). The response to GEN_CMD (CMD56) is in R1b format.

Command types

Both application-specific and general commands are divided into the four following types:

- **broadcast command (BC)**: sent to all cards; no responses returned.
- **broadcast command with response (BCR)**: sent to all cards; responses received from all cards simultaneously.
- **addressed (point-to-point) command (AC)**: sent to the card that is selected; does not include a data transfer on the SDIO_D line(s).
- **addressed (point-to-point) data transfer command (ADTC)**: sent to the card that is selected; includes a data transfer on the SDIO_D line(s).

Command formats

See [Table 104](#) for command formats.

Commands for the MultiMediaCard/SD module

Table 120. Block-oriented write commands

CMD index	Type	Argument	Response format	Abbreviation	Description
CMD23	ac	[31:16] set to 0 [15:0] number of blocks	R1	SET_BLOCK_COUNT	Defines the number of blocks which are going to be transferred in the multiple-block read or write command that follows.
CMD24	adtc	[31:0] data address	R1	WRITE_BLOCK	Writes a block of the size selected by the SET_BLOCKLEN command.
CMD25	adtc	[31:0] data address	R1	WRITE_MULTIPLE_BLOCK	Continuously writes blocks of data until a STOP_TRANSMISSION follows or the requested number of blocks has been received.
CMD26	adtc	[31:0] stuff bits	R1	PROGRAM_CID	Programming of the card identification register. This command must be issued only once per card. The card contains hardware to prevent this operation after the first programming. Normally this command is reserved for manufacturer.
CMD27	adtc	[31:0] stuff bits	R1	PROGRAM_CSD	Programming of the programmable bits of the CSD.

Table 121. Block-oriented write protection commands

CMD index	Type	Argument	Response format	Abbreviation	Description
CMD28	ac	[31:0] data address	R1b	SET_WRITE_PROT	If the card has write protection features, this command sets the write protection bit of the addressed group. The properties of write protection are coded in the card-specific data (WP_GRP_SIZE).
CMD29	ac	[31:0] data address	R1b	CLR_WRITE_PROT	If the card provides write protection features, this command clears the write protection bit of the addressed group.
CMD30	adtc	[31:0] write protect data address	R1	SEND_WRITE_PROT	If the card provides write protection features, this command asks the card to send the status of the write protection bits.
CMD31	Reserved				

Table 122. Erase commands

CMD index	Type	Argument	Response format	Abbreviation	Description
CMD32 ... CMD34	Reserved. These command indexes cannot be used in order to maintain backward compatibility with older versions of the MultiMediaCard.				
CMD35	ac	[31:0] data address	R1	ERASE_GROUP_START	Sets the address of the first erase group within a range to be selected for erase.
CMD36	ac	[31:0] data address	R1	ERASE_GROUP_END	Sets the address of the last erase group within a continuous range to be selected for erase.
CMD37	Reserved. This command index cannot be used in order to maintain backward compatibility with older versions of the MultiMediaCards				
CMD38	ac	[31:0] stuff bits	R1	ERASE	Erases all previously selected write blocks.

Table 123. I/O mode commands

CMD index	Type	Argument	Response format	Abbreviation	Description
CMD39	ac	[31:16] RCA [15:15] register write flag [14:8] register address [7:0] register data	R4	FAST_IO	Used to write and read 8-bit (register) data fields. The command addresses a card and a register and provides the data for writing if the write flag is set. The R4 response contains data read from the addressed register. This command accesses application-dependent registers that are not defined in the MultiMediaCard standard.

Table 123. I/O mode commands (continued)

CMD index	Type	Argument	Response format	Abbreviation	Description
CMD40	bcr	[31:0] stuff bits	R5	GO_IRQ_STATE	Places the system in the interrupt mode.
CMD41	Reserved				

Table 124. Lock card

CMD index	Type	Argument	Response format	Abbreviation	Description
CMD42	adtc	[31:0] stuff bits	R1b	LOCK_UNLOCK	Sets/resets the password or locks/unlocks the card. The size of the data block is set by the SET_BLOCK_LEN command.
CMD43 ... CMD54	Reserved				

Table 125. Application-specific commands

CMD index	Type	Argument	Response format	Abbreviation	Description
CMD55	ac	[31:16] RCA [15:0] stuff bits	R1	APP_CMD	Indicates to the card that the next command bits is an application specific command rather than a standard command
CMD56	adtc	[31:1] stuff bits [0]: RD/WR	-	-	Used either to transfer a data block to the card or to get a data block from the card for general purpose/application-specific commands. The size of the data block is set by the SET_BLOCK_LEN command.
CMD57 ... CMD59	Reserved.				
CMD60 ... CMD63	Reserved for manufacturer.				

26.5 Response formats

All responses are sent via the MCCMD command line SDIO_CMD. The response transmission always starts with the left bit of the bit string corresponding to the response code word. The code length depends on the response type.

A response always starts with a start bit (always 0), followed by the bit indicating the direction of transmission (card = 0). A value denoted by x in the tables below indicates a variable entry. All responses, except for the R3 response type, are protected by a CRC. Every command code word is terminated by the end bit (always 1).

There are five types of responses. Their formats are defined as follows:

26.5.1 R1 (normal response command)

Code length = 48 bits. The 45:40 bits indicate the index of the command to be responded to, this value being interpreted as a binary-coded number (between 0 and 63). The status of the card is coded in 32 bits.

Table 126. R1 response

Bit position	Width (bits)	Value	Description
47	1	0	Start bit
46	1	0	Transmission bit
[45:40]	6	X	Command index
[39:8]	32	X	Card status
[7:1]	7	X	CRC7
0	1	1	End bit

26.5.2 R1b

It is identical to R1 with an optional busy signal transmitted on the data line. The card may become busy after receiving these commands based on its state prior to the command reception.

26.5.3 R2 (CID, CSD register)

Code length = 136 bits. The contents of the CID register are sent as a response to the CMD2 and CMD10 commands. The contents of the CSD register are sent as a response to CMD9. Only the bits [127...1] of the CID and CSD are transferred, the reserved bit [0] of these registers is replaced by the end bit of the response. The card indicates that an erase is in progress by holding MCDAT low. The actual erase time may be quite long, and the host may issue CMD7 to deselect the card.

Table 127. R2 response

Bit position	Width (bits)	Value	Description
135	1	0	Start bit
134	1	0	Transmission bit
[133:128]	6	'111111'	Command index
[127:1]	127	X	Card status
0	1	1	End bit

26.5.4 R3 (OCR register)

Code length: 48 bits. The contents of the OCR register are sent as a response to CMD1. The level coding is as follows: restricted voltage windows = low, card busy = low.

Table 128. R3 response

Bit position	Width (bits)	Value	Description
47	1	0	Start bit
46	1	0	Transmission bit
[45:40]	6	'111111'	Reserved
[39:8]	32	X	OCR register
[7:1]	7	'1111111'	Reserved
0	1	1	End bit

26.5.5 R4 (Fast I/O)

Code length: 48 bits. The argument field contains the RCA of the addressed card, the register address to be read from or written to, and its content.

Table 129. R4 response

Bit position	Width (bits)	Value	Description	
47	1	0	Start bit	
46	1	0	Transmission bit	
[45:40]	6	'100111'	CMD39	
[39:8] Argument field	[31:16]	16	X	RCA
	[15:8]	8	X	register address
	[7:0]	8	X	read register contents
[7:1]	7	X	CRC7	
0	1	1	End bit	

26.5.6 R4b

For SD I/O only: an SDIO card receiving the CMD5 responds with a unique SDIO response R4. The format is:

Table 130. R4b response

Bit position	Width (bits)	Value	Description	
47	1	0	Start bit	
46	1	0	Transmission bit	
[45:40]	6	x	Reserved	
[39:8] Argument field	39	16	X	Card is ready
	[38:36]	3	X	Number of I/O functions
	35	1	X	Present memory
	[34:32]	3	X	Stuff bits
	[31:8]	24	X	I/O ORC

Table 130. R4b response (continued)

Bit position	Width (bits)	Value	Description
[7:1]	7	X	Reserved
0	1	1	End bit

Once an SD I/O card has received a CMD5, the I/O portion of that card is enabled to respond normally to all further commands. This I/O enable of the function within the I/O card remains set until a reset, power cycle or CMD52 with write to I/O reset is received by the card. Note that an SD memory-only card may respond to a CMD5. The proper response for a memory-only card would be *Present memory* = 1 and *Number of I/O functions* = 0. A memory-only card built to meet the SD Memory Card specification version 1.0 would detect the CMD5 as an illegal command and not respond. The I/O aware host sends CMD5. If the card responds with response R4, the host determines the card's configuration based on the data contained within the R4 response.

26.5.7 R5 (interrupt request)

Only for MultiMediaCard. Code length: 48 bits. If the response is generated by the host, the RCA field in the argument is 0x0.

Table 131. R5 response

Bit position	Width (bits)	Value	Description
47	1	0	Start bit
46	1	0	Transmission bit
[45:40]	6	'101000'	CMD40
[39:8] Argument field	[31:16]	X	RCA [31:16] of winning card or of the host
	[15:0]	X	Not defined. May be used for IRQ data
[7:1]	7	X	CRC7
0	1	1	End bit

26.5.8 R6

Only for SD I/O. The normal response to CMD3 by a memory device. It is shown in [Table 132](#).

Table 132. R6 response

Bit position	Width (bits)	Value	Description
47	1	0	Start bit
46	1	0	Transmission bit
[45:40]	6	'101000'	CMD40

Table 132. R6 response (continued)

Bit position		Width (bits)	Value	Description
[39:8] Argument field	[31:16]	16	X	RCA [31:16] of winning card or of the host
	[15:0]	16	X	Not defined. May be used for IRQ data
[7:1]		7	X	CRC7
0		1	1	End bit

The card [23:8] status bits are changed when CMD3 is sent to an I/O-only card. In this case, the 16 bits of response are the SD I/O-only values:

- Bit [15] COM_CRC_ERROR
- Bit [14] ILLEGAL_COMMAND
- Bit [13] ERROR
- Bits [12:0] Reserved

26.6 SDIO I/O card-specific operations

The following features are SD I/O-specific operations:

- SDIO read wait operation by SDIO_D2 signalling
- SDIO read wait operation by stopping the clock
- SDIO suspend/resume operation (write and read suspend)
- SDIO interrupts

The SDIO supports these operations only if the SDIO_DCTRL[11] bit is set, except for read suspend that does not need specific hardware implementation.

26.6.1 SDIO I/O read wait operation by SDIO_D2 signaling

It is possible to start the readwait interval before the first block is received: when the data path is enabled (SDIO_DCTRL[0] bit set), the SDIO-specific operation is enabled (SDIO_DCTRL[11] bit set), read wait starts (SDIO_DCTRL[10] = 0 and SDI_DCTRL[8] = 1) and data direction is from card to SDIO (SDIO_DCTRL[1] = 1), the DPSM directly moves from Idle to Readwait. In Readwait the DPSM drives SDIO_D2 to 0 after 2 SDIO_CK clock cycles. In this state, when you set the RWSTOP bit (SDIO_DCTRL[9]), the DPSM remains in Wait for two more SDIO_CK clock cycles to drive SDIO_D2 to 1 for one clock cycle (in accordance with SDIO specification). The DPSM then starts waiting again until it receives data from the card. The DPSM does not start a readwait interval while receiving a block even if read wait start is set: the readwait interval starts after the CRC is received. The RWSTOP bit has to be cleared to start a new read wait operation. During the readwait interval, the SDIO can detect SDIO interrupts on SDIO_D1.

26.6.2 SDIO read wait operation by stopping SDIO_CK

If the SDIO card does not support the previous read wait method, the SDIO can perform a read wait by stopping SDIO_CK (SDIO_DCTRL is set just like in the method presented in [Section 26.6.1](#), but SDIO_DCTRL[10] = 1): DPSM stops the clock two SDIO_CK cycles after the end bit of the current received block and starts the clock again after the read wait start bit is set.

As SDIO_CK is stopped, any command can be issued to the card. During a read/wait interval, the SDIO can detect SDIO interrupts on SDIO_D1.

26.6.3 SDIO suspend/resume operation

While sending data to the card, the SDIO can suspend the write operation. the SDIO_CMD[11] bit is set and indicates to the CPSM that the current command is a suspend command. The CPSM analyzes the response and when the ACK is received from the card (suspend accepted), it acknowledges the DPSM that goes Idle after receiving the CRC token of the current block.

The hardware does not save the number of the remaining block to be sent to complete the suspended operation (resume).

The write operation can be suspended by software, just by disabling the DPSM (SDIO_DCTRL[0] =0) when the ACK of the suspend command is received from the card. The DPSM enters then the Idle state.

To suspend a read: the DPSM waits in the Wait_r state as the function to be suspended sends a complete packet just before stopping the data transaction. The application continues reading RxFIFO until the FIFO is empty, and the DPSM goes Idle automatically.

26.6.4 SDIO interrupts

SDIO interrupts are detected on the SDIO_D1 line once the SDIO_DCTRL[11] bit is set.

26.7 CE-ATA specific operations

The following features are CE-ATA specific operations:

- sending the command completion signal disable to the CE-ATA device
- receiving the command completion signal from the CE-ATA device
- signaling the completion of the CE-ATA command to the CPU, using the status bit and/or interrupt.

The SDIO supports these operations only for the CE-ATA CMD61 command, that is, if SDIO_CMD[14] is set.

26.7.1 Command completion signal disable

Command completion signal disable is sent 8 bit cycles after the reception of a **short** response if the 'enable CMD completion' bit, SDIO_CMD[12], is not set and the 'not interrupt Enable' bit, SDIO_CMD[13], is set.

The CPSM enters the Pend state, loading the command shift register with the disable sequence "00001" and, the command counter with 43. Eight cycles after, a trigger moves the CPSM to the Send state. When the command counter reaches 48, the CPSM becomes Idle as no response is awaited.

26.7.2 Command completion signal enable

If the 'enable CMD completion' bit SDIO_CMD[12] is set and the 'not interrupt Enable' bit SDIO_CMD[13] is set, the CPSM waits for the command completion signal in the Waitcpl state.

When '0' is received on the CMD line, the CPSM enters the Idle state. No new command can be sent for 7 bit cycles. Then, for the last 5 cycles (out of the 7) the CMD line is driven to '1' in push-pull mode.

26.7.3 CE-ATA interrupt

The command completion is signaled to the CPU by the status bit SDIO_STA[23]. This static bit can be cleared with the clear bit SDIO_ICR[23].

The SDIO_STA[23] status bit can generate an interrupt on each interrupt line, depending on the mask bit SDIO_MASKx[23].

26.7.4 Aborting CMD61

If the command completion disable signal has not been sent and CMD61 needs to be aborted, the command state machine must be disabled. It then becomes Idle, and the CMD12 command can be sent. No command completion disable signal is sent during the operation.

26.8 HW flow control

The HW flow control functionality is used to avoid FIFO underrun (TX mode) and overrun (RX mode) errors.

The behavior is to stop SDIO_CK and freeze SDIO state machines. The data transfer is stalled while the FIFO is unable to transmit or receive data. Only state machines clocked by SDIOCLK are frozen, the APB2 interface is still alive. The FIFO can thus be filled or emptied even if flow control is activated.

To enable HW flow control, the SDIO_CLKCR[14] register bit must be set to 1. After reset Flow Control is disabled.

26.9 SDIO registers

The device communicates to the system via 32-bit-wide control registers accessible via APB2.

The peripheral registers have to be accessed by words (32 bits).

26.9.1 SDIO power control register (SDIO_POWER)

Address offset: 0x00

Reset value: 0x0000 0000

31	30	29	28	27	26	25	24	23	22	21	20	19	18	17	16	15	14	13	12	11	10	9	8	7	6	5	4	3	2	1	0
Reserved																PWRC TRL															
																rw	rw														

Bits 31:2 Reserved, must be kept at reset value

Bits 1:0 **PWRCTRL**: Power supply control bits.

These bits are used to define the current functional state of the card clock:

00: Power-off: the clock to card is stopped.

01: Reserved

10: Reserved power-up

11: Power-on: the card is clocked.

Note: At least seven HCLK clock periods are needed between two write accesses to this register. After a data write, data cannot be written to this register for three SDIOCLK clock periods plus two PCLK2 clock periods.

26.9.2 SDI clock control register (SDIO_CLKCR)

Address offset: 0x04

Reset value: 0x0000 0000

The SDIO_CLKCR register controls the SDIO_CK output clock.

31	30	29	28	27	26	25	24	23	22	21	20	19	18	17	16	15	14	13	12	11	10	9	8	7	6	5	4	3	2	1	0														
Reserved																	HWFC_EN	NEGEDGE	WID BUS		BYPASS	PWRSV	CLKEN	CLKDIV																					
																	rw	rw	rw	rw	rw	rw	rw	rw	rw	rw	rw	rw	rw	rw	rw	rw	rw	rw	rw	rw	rw	rw	rw	rw	rw	rw	rw	rw	rw

Bits 31:15 Reserved, must be kept at reset value

Bit 14 **HWFC_EN**: HW Flow Control enable

0b: HW Flow Control is disabled

1b: HW Flow Control is enabled

When HW Flow Control is enabled, the meaning of the TXFIFOE and RXFIFO interrupt signals, see SDIO Status register definition in [Section 26.9.11](#).

Bit 13 **NEGEDGE**:SDIO_CK dephasing selection bit

0b: SDIO_CK generated on the rising edge of the master clock SDIOCLK

1b: SDIO_CK generated on the falling edge of the master clock SDIOCLK

Bits 12:11 **WIDBUS**: Wide bus mode enable bit

00: Default bus mode: SDIO_D0 used

01: 4-wide bus mode: SDIO_D[3:0] used

10: 8-wide bus mode: SDIO_D[7:0] used

Bit 10 **BYPASS**: Clock divider bypass enable bit

0: Disable bypass: SDIOCLK is divided according to the CLKDIV value before driving the SDIO_CK output signal.

1: Enable bypass: SDIOCLK directly drives the SDIO_CK output signal.

Bit 9 **PWRSVAV**: Power saving configuration bit
 For power saving, the SDIO_CK clock output can be disabled when the bus is idle by setting PWRSVAV:
 0: SDIO_CK clock is always enabled
 1: SDIO_CK is only enabled when the bus is active

Bit 8 **CLKEN**: Clock enable bit
 0: SDIO_CK is disabled
 1: SDIO_CK is enabled

Bits 7:0 **CLKDIV**: Clock divide factor
 This field defines the divide factor between the input clock (SDIOCLK) and the output clock (SDIO_CK): SDIO_CK frequency = SDIOCLK / [CLKDIV + 2].
Note: In order to have a duty cycle of 50% it is recommended to select even values of CLKDIV.

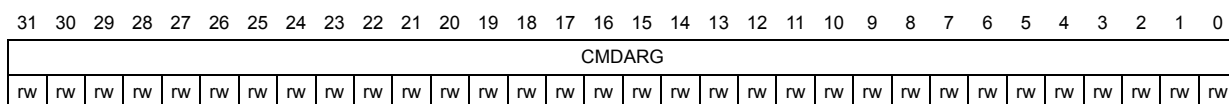
*Note: While the SD/SDIO card or MultiMediaCard is in identification mode, the SDIO_CK frequency must be less than 400 kHz.
 The clock frequency can be changed to the maximum card bus frequency when relative card addresses are assigned to all cards.
 After a data write, data cannot be written to this register for three SDIOCLK clock periods plus two PCLK2 clock periods. SDIO_CK can also be stopped during the read wait interval for SD I/O cards: in this case the SDIO_CLKCR register does not control SDIO_CK.*

26.9.3 SDIO argument register (SDIO_ARG)

Address offset: 0x08

Reset value: 0x0000 0000

The SDIO_ARG register contains a 32-bit command argument, which is sent to a card as part of a command message.



Bits 31:0 **CMDARG**: Command argument
 Command argument sent to a card as part of a command message. If a command contains an argument, it must be loaded into this register before writing a command to the command register.

26.9.4 SDIO command register (SDIO_CMD)

Address offset: 0x0C

Reset value: 0x0000 0000

The SDIO_CMD register contains the command index and command type bits. The command index is sent to a card as part of a command message. The command type bits control the command path state machine (CPSM).



31	30	29	28	27	26	25	24	23	22	21	20	19	18	17	16	15	14	13	12	11	10	9	8	7	6	5	4	3	2	1	0															
Reserved																	CE-ATACMD	nIEN	ENCMDcompl	SDIOSuspend	CPSMEN	WAITPEND	WAITINT	WAITRESP	CMDINDEX																					
																	rw	rw	rw	rw	rw	rw	rw	rw	rw	rw	rw	rw	rw	rw	rw	rw	rw	rw	rw	rw	rw	rw	rw	rw	rw	rw	rw	rw	rw	rw

Bits 31:15 Reserved, must be kept at reset value

Bit 14 **ATACMD**: CE-ATA command

If ATACMD is set, the CPSM transfers CMD61.

Bit 13 **nIEN**: not Interrupt Enable

if this bit is 0, interrupts in the CE-ATA device are enabled.

Bit 12 **ENCMDcompl**: Enable CMD completion

If this bit is set, the command completion signal is enabled.

Bit 11 **SDIOSuspend**: SD I/O suspend command

If this bit is set, the command to be sent is a suspend command (to be used only with SDIO card).

Bit 10 **CPSMEN**: Command path state machine (CPSM) Enable bit

If this bit is set, the CPSM is enabled.

Bit 9 **WAITPEND**: CPSM Waits for ends of data transfer (CmdPend internal signal).

If this bit is set, the CPSM waits for the end of data transfer before it starts sending a command.

Bit 8 **WAITINT**: CPSM waits for interrupt request

If this bit is set, the CPSM disables command timeout and waits for an interrupt request.

Bits 7:6 **WAITRESP**: Wait for response bits

They are used to configure whether the CPSM is to wait for a response, and if yes, which kind of response.

00: No response, expect CMDSENT flag

01: Short response, expect CMDREND or CCRCFAIL flag

10: No response, expect CMDSENT flag

11: Long response, expect CMDREND or CCRCFAIL flag

Bits 5:0 **CMDINDEX**: Command index

The command index is sent to the card as part of a command message.

Note: After a data write, data cannot be written to this register for three SDIOCLK clock periods plus two PCLK2 clock periods.

MultiMediaCards can send two kinds of response: short responses, 48 bits long, or long responses, 136 bits long. SD card and SD I/O card can send only short responses, the argument can vary according to the type of response: the software distinguishes the type of response according to the sent command. CE-ATA devices send only short responses.

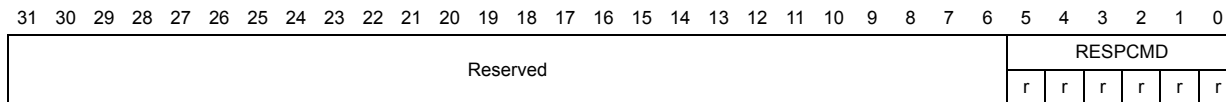
26.9.5 SDIO command response register (SDIO_RESPCMD)

Address offset: 0x10

Reset value: 0x0000 0000



The SDIO_RESPCMD register contains the command index field of the last command response received. If the command response transmission does not contain the command index field (long or OCR response), the RESPCMD field is unknown, although it must contain 111111b (the value of the reserved field from the response).



Bits 31:6 Reserved, must be kept at reset value

Bits 5:0 **RESPCMD**: Response command index

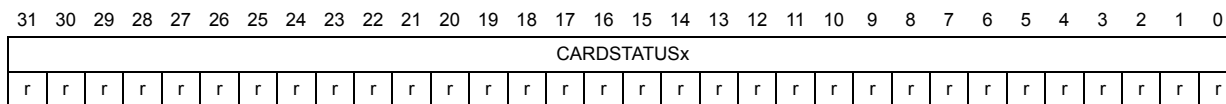
Read-only bit field. Contains the command index of the last command response received.

26.9.6 SDIO response 1..4 register (SDIO_RESPx)

Address offset: (0x10 + (4 × x)); x = 1..4

Reset value: 0x0000 0000

The SDIO_RESP1/2/3/4 registers contain the status of a card, which is part of the received response.



Bits 31:0 **CARDSTATUSx**: see [Table 133](#).

The Card Status size is 32 or 127 bits, depending on the response type.

Table 133. Response type and SDIO_RESPx registers

Register	Short response	Long response
SDIO_RESP1	Card Status[31:0]	Card Status [127:96]
SDIO_RESP2	Unused	Card Status [95:64]
SDIO_RESP3	Unused	Card Status [63:32]
SDIO_RESP4	Unused	Card Status [31:1]0b

The most significant bit of the card status is received first. The SDIO_RESP3 register LSB is always 0b.

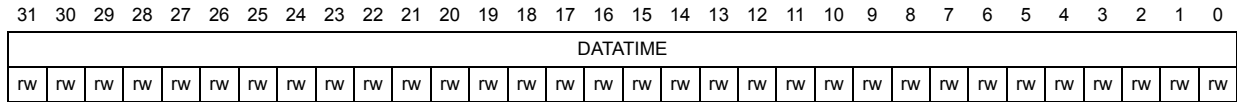
26.9.7 SDIO data timer register (SDIO_DTIMER)

Address offset: 0x24

Reset value: 0x0000 0000

The SDIO_DTIMER register contains the data timeout period, in card bus clock periods.

A counter loads the value from the SDIO_DTIMER register, and starts decrementing when the data path state machine (DPSM) enters the Wait_R or Busy state. If the timer reaches 0 while the DPSM is in either of these states, the timeout status flag is set.



Bits 31:0 **DATATIME**: Data timeout period
 Data timeout period expressed in card bus clock periods.

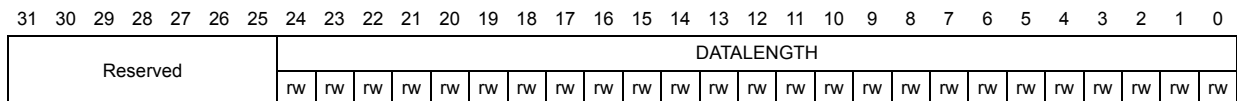
Note: A data transfer must be written to the data timer register and the data length register before being written to the data control register.

26.9.8 SDIO data length register (SDIO_DLEN)

Address offset: 0x28

Reset value: 0x0000 0000

The SDIO_DLEN register contains the number of data bytes to be transferred. The value is loaded into the data counter when data transfer starts.



Bits 31:25 Reserved, must be kept at reset value

Bits 24:0 **DATALENGTH**: Data length value
 Number of data bytes to be transferred.

Note: For a block data transfer, the value in the data length register must be a multiple of the block size (see SDIO_DCTRL). A data transfer must be written to the data timer register and the data length register before being written to the data control register.
 For an SDIO multibyte transfer the value in the data length register must be between 1 and 512.

26.9.9 SDIO data control register (SDIO_DCTRL)

Address offset: 0x2C

Reset value: 0x0000 0000

The SDIO_DCTRL register control the data path state machine (DPSM).

31	30	29	28	27	26	25	24	23	22	21	20	19	18	17	16	15	14	13	12	11	10	9	8	7	6	5	4	3	2	1	0																				
Reserved																				SDIOEN	RWMOD	RWSTOP	RWSTART	DBLOCKSIZE				DMAEN	DTMODE	DTDIR	DTEN																				
																				r/w	r/w	r/w	r/w	r/w	r/w	r/w	r/w	r/w	r/w	r/w	r/w	r/w	r/w	r/w	r/w	r/w	r/w	r/w	r/w	r/w	r/w	r/w	r/w	r/w	r/w	r/w	r/w	r/w	r/w	r/w	r/w

Bits 31:12 Reserved, must be kept at reset value

Bit 11 **SDIOEN**: SD I/O enable functions

If this bit is set, the DPSM performs an SD I/O-card-specific operation.

Bit 10 **RWMOD**: Read wait mode

0: Read Wait control stopping SDIO_D2

1: Read Wait control using SDIO_CK

Bit 9 **RWSTOP**: Read wait stop

0: Read wait in progress if RWSTART bit is set

1: Enable for read wait stop if RWSTART bit is set

Bit 8 **RWSTART**: Read wait start

If this bit is set, read wait operation starts.

Bits 7:4 **DBLOCKSIZE**: Data block size

Define the data block length when the block data transfer mode is selected:

0000: (0 decimal) lock length = 2^0 = 1 byte

0001: (1 decimal) lock length = 2^1 = 2 bytes

0010: (2 decimal) lock length = 2^2 = 4 bytes

0011: (3 decimal) lock length = 2^3 = 8 bytes

0100: (4 decimal) lock length = 2^4 = 16 bytes

0101: (5 decimal) lock length = 2^5 = 32 bytes

0110: (6 decimal) lock length = 2^6 = 64 bytes

0111: (7 decimal) lock length = 2^7 = 128 bytes

1000: (8 decimal) lock length = 2^8 = 256 bytes

1001: (9 decimal) lock length = 2^9 = 512 bytes

1010: (10 decimal) lock length = 2^{10} = 1024 bytes

1011: (11 decimal) lock length = 2^{11} = 2048 bytes

1100: (12 decimal) lock length = 2^{12} = 4096 bytes

1101: (13 decimal) lock length = 2^{13} = 8192 bytes

1110: (14 decimal) lock length = 2^{14} = 16384 bytes

1111: (15 decimal) reserved

Bit 3 **DMAEN**: DMA enable bit

0: DMA disabled.

1: DMA enabled.

- Bit 2 **DTMODE**: Data transfer mode selection 1: Stream or SDIO multibyte data transfer.
 - 0: Block data transfer
 - 1: Stream or SDIO multibyte data transfer
- Bit 1 **DTDIR**: Data transfer direction selection
 - 0: From controller to card.
 - 1: From card to controller.
- Bit 0 **DTEN**: Data transfer enabled bit

Data transfer starts if 1b is written to the DTEN bit. Depending on the direction bit, DTDIR, the DPSM moves to the Wait_S, Wait_R state or Readwait if RW Start is set immediately at the beginning of the transfer. It is not necessary to clear the enable bit after the end of a data transfer but the SDIO_DCTRL must be updated to enable a new data transfer

Note: After a data write, data cannot be written to this register for three SDIOCLK clock periods plus two PCLK2 clock periods.

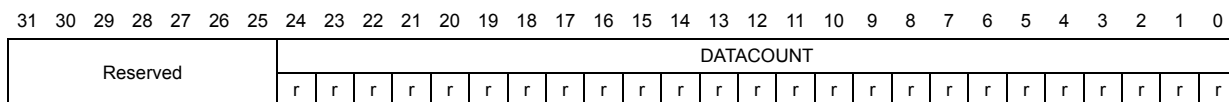
The meaning of the DTMODE bit changes according to the value of the SDIOEN bit. When SDIOEN=0 and DTMODE=1, the MultiMediaCard stream mode is enabled, and when SDIOEN=1 and DTMODE=1, the peripheral enables an SDIO multibyte transfer.

26.9.10 SDIO data counter register (SDIO_DCOUNT)

Address offset: 0x30

Reset value: 0x0000 0000

The SDIO_DCOUNT register loads the value from the data length register (see SDIO_DLEN) when the DPSM moves from the Idle state to the Wait_R or Wait_S state. As data is transferred, the counter decrements the value until it reaches 0. The DPSM then moves to the Idle state and the data status end flag, DATAEND, is set.



Bits 31:25 Reserved, must be kept at reset value

Bits 24:0 **DATACOUNT**: Data count value

When this bit is read, the number of remaining data bytes to be transferred is returned. Write has no effect.

Note: This register should be read only when the data transfer is complete.

26.9.11 SDIO status register (SDIO_STA)

Address offset: 0x34

Reset value: 0x0000 0000

The SDIO_STA register is a read-only register. It contains two types of flag:

- Static flags (bits [23:22,10:0]): these bits remain asserted until they are cleared by writing to the SDIO Interrupt Clear register (see SDIO_ICR)

- Dynamic flags (bits [21:11]): these bits change state depending on the state of the underlying logic (for example, FIFO full and empty flags are asserted and deasserted as data while written to the FIFO)

31	30	29	28	27	26	25	24	23	22	21	20	19	18	17	16	15	14	13	12	11	10	9	8	7	6	5	4	3	2	1	0				
Reserved								CEATAEND	SDIOIT	RXDAVL	TXDAVL	RXFIFOE	TXFIFOE	RXFIFOF	TXFIFOF	RXFIFOHF	TXFIFOHE	RXACT	TXACT	CMDACT	DBCKEND	STBITERR	DATAEND	CMDSENT	CMDREND	RXOVERR	TXUNDERR	DTIMEOUT	CTIMEOUT	DCRCFAIL	CCRCFAIL				
								r	r	r	r	r	r	r	r	r	r	r	r	r	r	r	r	r	r	r	r	r	r	r	r	r	r	r	r

Bits 31:24 Reserved, must be kept at reset value

Bit 23 **CEATAEND**: CE-ATA command completion signal received for CMD61

Bit 22 **SDIOIT**: SDIO interrupt received

Bit 21 **RXDAVL**: Data available in receive FIFO

Bit 20 **TXDAVL**: Data available in transmit FIFO

Bit 19 **RXFIFOE**: Receive FIFO empty

Bit 18 **TXFIFOE**: Transmit FIFO empty

When HW Flow Control is enabled, TXFIFOE signals becomes activated when the FIFO contains 2 words.

Bit 17 **RXFIFOF**: Receive FIFO full

When HW Flow Control is enabled, RXFIFOF signals becomes activated 2 words before the FIFO is full.

Bit 16 **TXFIFOF**: Transmit FIFO full

Bit 15 **RXFIFOHF**: Receive FIFO half full: there are at least 8 words in the FIFO

Bit 14 **TXFIFOHE**: Transmit FIFO half empty: at least 8 words can be written into the FIFO

Bit 13 **RXACT**: Data receive in progress

Bit 12 **TXACT**: Data transmit in progress

Bit 11 **CMDACT**: Command transfer in progress

Bit 10 **DBCKEND**: Data block sent/received (CRC check passed)

Bit 9 **STBITERR**: Start bit not detected on all data signals in wide bus mode

Bit 8 **DATAEND**: Data end (data counter, SDIDCOUNT, is zero)

Bit 7 **CMDSENT**: Command sent (no response required)

Bit 6 **CMDREND**: Command response received (CRC check passed)

Bit 5 **RXOVERR**: Received FIFO overrun error

Bit 4 **TXUNDERR**: Transmit FIFO underrun error

Bit 3 **DTIMEOUT**: Data timeout

Bit 2 **CTIMEOUT**: Command response timeout

The Command TimeOut period has a fixed value of 64 SDIO_CK clock periods.

Bit 1 **DCRCFAIL**: Data block sent/received (CRC check failed)

Bit 0 **CCRCFAIL**: Command response received (CRC check failed)

26.9.12 SDIO interrupt clear register (SDIO_ICR)

Address offset: 0x38

Reset value: 0x0000 0000

The SDIO_ICR register is a write-only register. Writing a bit with 1b clears the corresponding bit in the SDIO_STA Status register.

31	30	29	28	27	26	25	24	23	22	21	20	19	18	17	16	15	14	13	12	11	10	9	8	7	6	5	4	3	2	1	0				
Reserved								CEATAENDC	SDIOITC	Reserved											DBCKENDC	STBITERRC	DATAENDC	CMDSENTC	CMDREND C	RXOVERRC	TXUNDERRC	DTIMEOUTC	CTIMEOUTC	DCRCFAILC	CCRCFAILC				
								rw	rw												rw	rw	rw	rw	rw	rw	rw	rw	rw	rw	rw	rw	rw	rw	rw

Bits 31:24 Reserved, must be kept at reset value

Bit 23 **CEATAENDC**: CEATAEND flag clear bit
 Set by software to clear the CEATAEND flag.
 0: CEATAEND not cleared
 1: CEATAEND cleared

Bit 22 **SDIOITC**: SDIOIT flag clear bit
 Set by software to clear the SDIOIT flag.
 0: SDIOIT not cleared
 1: SDIOIT cleared

Bits 21:11 Reserved, must be kept at reset value

Bit 10 **DBCKENDC**: DBCKEND flag clear bit
 Set by software to clear the DBCKEND flag.
 0: DBCKEND not cleared
 1: DBCKEND cleared

Bit 9 **STBITERRC**: STBITERR flag clear bit
 Set by software to clear the STBITERR flag.
 0: STBITERR not cleared
 1: STBITERR cleared

Bit 8 **DATAENDC**: DATAEND flag clear bit
 Set by software to clear the DATAEND flag.
 0: DATAEND not cleared
 1: DATAEND cleared

Bit 7 **CMDSENTC**: CMDSENT flag clear bit
 Set by software to clear the CMDSENT flag.
 0: CMDSENT not cleared
 1: CMDSENT cleared

Bit 6 **CMDREND C**: CMDREND flag clear bit
 Set by software to clear the CMDREND flag.
 0: CMDREND not cleared
 1: CMDREND cleared

- Bit 5 **RXOVERRC**: RXOVERR flag clear bit
Set by software to clear the RXOVERR flag.
0: RXOVERR not cleared
1: RXOVERR cleared
- Bit 4 **TXUNDERRC**: TXUNDERR flag clear bit
Set by software to clear TXUNDERR flag.
0: TXUNDERR not cleared
1: TXUNDERR cleared
- Bit 3 **DTIMEOUTC**: DTIMEOUT flag clear bit
Set by software to clear the DTIMEOUT flag.
0: DTIMEOUT not cleared
1: DTIMEOUT cleared
- Bit 2 **CTIMEOUTC**: CTIMEOUT flag clear bit
Set by software to clear the CTIMEOUT flag.
0: CTIMEOUT not cleared
1: CTIMEOUT cleared
- Bit 1 **DCRCFAILC**: DCRCFAIL flag clear bit
Set by software to clear the DCRCFAIL flag.
0: DCRCFAIL not cleared
1: DCRCFAIL cleared
- Bit 0 **CCRCFAILC**: CCRCFAIL flag clear bit
Set by software to clear the CCRCFAIL flag.
0: CCRCFAIL not cleared
1: CCRCFAIL cleared

26.9.13 SDIO mask register (SDIO_MASK)

Address offset: 0x3C

Reset value: 0x0000 0000

The interrupt mask register determines which status flags generate an interrupt request by setting the corresponding bit to 1b.

31	30	29	28	27	26	25	24	23	22	21	20	19	18	17	16	15	14	13	12	11	10	9	8	7	6	5	4	3	2	1	0		
Reserved								CEATAENDIE	SDIOTIE	RXDAVLIE	TXDAVLIE	RXFIFOEIE	TXFIFOEIE	RXFIFOEIE	TXFIFOEIE	RXFIFOEIE	TXFIFOEIE	RXFIFOEIE	TXFIFOEIE	RXACTIE	TXACTIE	CMDACTIE	DBCKENDIE	STBITERRIE	DATAENDIE	CMDSENTIE	CMDRENDIE	RXOVERRIE	TXUNDERRIE	DTIMEOUTIE	CTIMEOUTIE	DCRCFAILIE	CCRCFAILIE
								rW	rW	rW	rW	rW	rW	rW	rW	rW	rW	rW	rW	rW	rW	rW	rW	rW	rW	rW	rW	rW	rW	rW	rW	rW	

Bits 31:24 Reserved, must be kept at reset value

- Bit 23 **CEATAENDIE**: CE-ATA command completion signal received interrupt enable
Set and cleared by software to enable/disable the interrupt generated when receiving the CE-ATA command completion signal.
0: CE-ATA command completion signal received interrupt disabled
1: CE-ATA command completion signal received interrupt enabled



- Bit 22 **SDIOITIE**: SDIO mode interrupt received interrupt enable
Set and cleared by software to enable/disable the interrupt generated when receiving the SDIO mode interrupt.
0: SDIO Mode Interrupt Received interrupt disabled
1: SDIO Mode Interrupt Received interrupt enabled
- Bit 21 **RXDAVLIE**: Data available in Rx FIFO interrupt enable
Set and cleared by software to enable/disable the interrupt generated by the presence of data available in Rx FIFO.
0: Data available in Rx FIFO interrupt disabled
1: Data available in Rx FIFO interrupt enabled
- Bit 20 **TXDAVLIE**: Data available in Tx FIFO interrupt enable
Set and cleared by software to enable/disable the interrupt generated by the presence of data available in Tx FIFO.
0: Data available in Tx FIFO interrupt disabled
1: Data available in Tx FIFO interrupt enabled
- Bit 19 **RXFIFOEIE**: Rx FIFO empty interrupt enable
Set and cleared by software to enable/disable interrupt caused by Rx FIFO empty.
0: Rx FIFO empty interrupt disabled
1: Rx FIFO empty interrupt enabled
- Bit 18 **TXFIFOEIE**: Tx FIFO empty interrupt enable
Set and cleared by software to enable/disable interrupt caused by Tx FIFO empty.
0: Tx FIFO empty interrupt disabled
1: Tx FIFO empty interrupt enabled
- Bit 17 **RXFIFOFIE**: Rx FIFO full interrupt enable
Set and cleared by software to enable/disable interrupt caused by Rx FIFO full.
0: Rx FIFO full interrupt disabled
1: Rx FIFO full interrupt enabled
- Bit 16 **TXFIFOFIE**: Tx FIFO full interrupt enable
Set and cleared by software to enable/disable interrupt caused by Tx FIFO full.
0: Tx FIFO full interrupt disabled
1: Tx FIFO full interrupt enabled
- Bit 15 **RXFIFOHFIE**: Rx FIFO half full interrupt enable
Set and cleared by software to enable/disable interrupt caused by Rx FIFO half full.
0: Rx FIFO half full interrupt disabled
1: Rx FIFO half full interrupt enabled
- Bit 14 **TXFIFOHEIE**: Tx FIFO half empty interrupt enable
Set and cleared by software to enable/disable interrupt caused by Tx FIFO half empty.
0: Tx FIFO half empty interrupt disabled
1: Tx FIFO half empty interrupt enabled
- Bit 13 **RXACTIE**: Data receive acting interrupt enable
Set and cleared by software to enable/disable interrupt caused by data being received (data receive acting).
0: Data receive acting interrupt disabled
1: Data receive acting interrupt enabled

- Bit 12 **TXACTIE**: Data transmit acting interrupt enable
Set and cleared by software to enable/disable interrupt caused by data being transferred (data transmit acting).
0: Data transmit acting interrupt disabled
1: Data transmit acting interrupt enabled
- Bit 11 **CMDACTIE**: Command acting interrupt enable
Set and cleared by software to enable/disable interrupt caused by a command being transferred (command acting).
0: Command acting interrupt disabled
1: Command acting interrupt enabled
- Bit 10 **DBCKENDIE**: Data block end interrupt enable
Set and cleared by software to enable/disable interrupt caused by data block end.
0: Data block end interrupt disabled
1: Data block end interrupt enabled
- Bit 9 **STBITERRIE**: Start bit error interrupt enable
Set and cleared by software to enable/disable interrupt caused by start bit error.
0: Start bit error interrupt disabled
1: Start bit error interrupt enabled
- Bit 8 **DATAENDIE**: Data end interrupt enable
Set and cleared by software to enable/disable interrupt caused by data end.
0: Data end interrupt disabled
1: Data end interrupt enabled
- Bit 7 **CMDSSENTIE**: Command sent interrupt enable
Set and cleared by software to enable/disable interrupt caused by sending command.
0: Command sent interrupt disabled
1: Command sent interrupt enabled
- Bit 6 **CMDSRENDIE**: Command response received interrupt enable
Set and cleared by software to enable/disable interrupt caused by receiving command response.
0: Command response received interrupt disabled
1: command Response Received interrupt enabled
- Bit 5 **RXOVERRIE**: Rx FIFO overrun error interrupt enable
Set and cleared by software to enable/disable interrupt caused by Rx FIFO overrun error.
0: Rx FIFO overrun error interrupt disabled
1: Rx FIFO overrun error interrupt enabled
- Bit 4 **TXUNDERRIE**: Tx FIFO underrun error interrupt enable
Set and cleared by software to enable/disable interrupt caused by Tx FIFO underrun error.
0: Tx FIFO underrun error interrupt disabled
1: Tx FIFO underrun error interrupt enabled
- Bit 3 **DTIMEOUTIE**: Data timeout interrupt enable
Set and cleared by software to enable/disable interrupt caused by data timeout.
0: Data timeout interrupt disabled
1: Data timeout interrupt enabled
- Bit 2 **CTIMEOUTIE**: Command timeout interrupt enable
Set and cleared by software to enable/disable interrupt caused by command timeout.
0: Command timeout interrupt disabled
1: Command timeout interrupt enabled

Bit 1 **DCRCFAILIE**: Data CRC fail interrupt enable
 Set and cleared by software to enable/disable interrupt caused by data CRC failure.
 0: Data CRC fail interrupt disabled
 1: Data CRC fail interrupt enabled

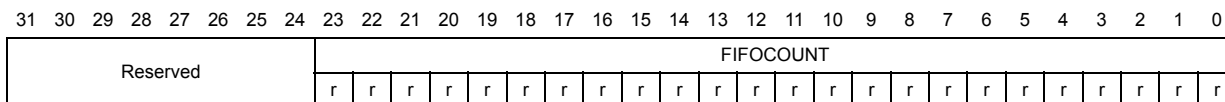
Bit 0 **CCRCFAILIE**: Command CRC fail interrupt enable
 Set and cleared by software to enable/disable interrupt caused by command CRC failure.
 0: Command CRC fail interrupt disabled
 1: Command CRC fail interrupt enabled

26.9.14 SDIO FIFO counter register (SDIO_FIFOCNT)

Address offset: 0x48

Reset value: 0x0000 0000

The SDIO_FIFOCNT register contains the remaining number of words to be written to or read from the FIFO. The FIFO counter loads the value from the data length register (see SDIO_DLEN) when the data transfer enable bit, DTEN, is set in the data control register (SDIO_DCTRL register) and the DPSM is at the Idle state. If the data length is not word-aligned (multiple of 4), the remaining 1 to 3 bytes are regarded as a word.



Bits 31:24 Reserved, must be kept at reset value

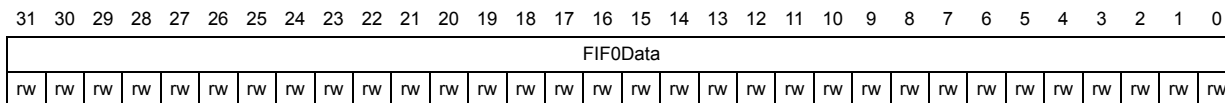
Bits 23:0 **FIFOCOUNT**: Remaining number of words to be written to or read from the FIFO.

26.9.15 SDIO data FIFO register (SDIO_FIFO)

Address offset: 0x80

Reset value: 0x0000 0000

The receive and transmit FIFOs can be read or written as 32-bit wide registers. The FIFOs contain 32 entries on 32 sequential addresses. This allows the CPU to use its load and store multiple operands to read from/write to the FIFO.



bits 31:0 **FIFOData**: Receive and transmit FIFO data

The FIFO data occupies 32 entries of 32-bit words, from address:
 SDIO base + 0x080 to SDIO base + 0xFC.

26.9.16 SDIO register map

The following table summarizes the SDIO registers.

Table 134. SDIO register map

Offset	Register	31	30	29	28	27	26	25	24	23	22	21	20	19	18	17	16	15	14	13	12	11	10	9	8	7	6	5	4	3	2	1	0		
0x00	SDIO_POWER	Reserved																												PWRCTRL					
0x04	SDIO_CLKCR	Reserved													HWFC_EN	NEGEDGE	WIDBUS	BYPASS	PWRSV	CLKEN	CLKDIV														
0x08	SDIO_ARG	CMDARG																																	
0x0C	SDIO_CMD	Reserved													CE-ATACMD	nIEN	ENCMDcompl	SDIOSuspend	CPSMEN	WAITPEND	WAITINT	WAITRESP	CMDINDEX												
0x10	SDIO_RESPCMD	Reserved													RESPCMD																				
0x14	SDIO_RESP1	CARDSTATUS1																																	
0x18	SDIO_RESP2	CARDSTATUS2																																	
0x1C	SDIO_RESP3	CARDSTATUS3																																	
0x20	SDIO_RESP4	CARDSTATUS4																																	
0x24	SDIO_DTIMER	DATATIME																																	
0x28	SDIO_DLEN	Reserved								DATALENGTH																									
0x2C	SDIO_DCTRL	Reserved													SADIOEN	RWMOD	RWSTOP	RWSTART	DBLOCKSIZE					DMAEN	DTMODE	DTDIR	DTEN								
0x30	SDIO_DCOUNT	Reserved								DATACOUNT																									
0x34	SDIO_STA	Reserved								CEATAEND	SADIOIT	RXDAVL	TXDAVL	RXFIFOE	TXFIFOE	RXFIFO	TXFIFO	RXFIFOH	TXFIFOHE	RXACT	TXACT	CMDACT	DBCKEND	STBITERR	DATAEND	CMDSENT	CMDREND	RXOVERR	TXUNDERR	DTIMEOUT	CTIMEOUT	DCRCFAIL	CCRCFAIL		
0x38	SDIO_ICR	Reserved								CEATAENDC	SADIOITC	Reserved													DBCKENDC	STBITERRC	DATAENDC	CMDSENTC	CMDREND	RXOVERRC	TXUNDERRC	DTIMEOUTC	CTIMEOUTC	DCRCFAILC	CCRCFAILC
0x3C	SDIO_MASK	Reserved								CEATAENDIE	SADIOITIE	RXDALIE	TXDALIE	RXFIFOEIE	TXFIFOEIE	RXFIFOEIE	TXFIFOEIE	RXFIFOEIE	TXFIFOEIE	RXACTIE	TXACTIE	CMDACTIE	DBCKENDIE	STBITERRIE	DATAENDIE	CMDSENTIE	CMDRENDIE	RXOVERRIE	TXUNDERRIE	DTIMEOUTIE	CTIMEOUTIE	DCRCFAILIE	CCRCFAILIE		
0x48	SDIO_FIFOCNT	Reserved								FIFOCOUNT																									
0x80	SDIO_FIFO	FIFOData																																	



27 Controller area network (bxCAN)

This section applies to the whole STM32F20x and STM32F21x family, unless otherwise specified.

27.1 bxCAN introduction

The **Basic Extended CAN** peripheral, named **bxCAN**, interfaces the CAN network. It supports the CAN protocols version 2.0A and B. It has been designed to manage a high number of incoming messages efficiently with a minimum CPU load. It also meets the priority requirements for transmit messages.

For safety-critical applications, the CAN controller provides all hardware functions for supporting the CAN Time Triggered Communication option.

27.2 bxCAN main features

- Supports CAN protocol version 2.0 A, B Active
- Bit rates up to 1 Mbit/s
- Supports the Time Triggered Communication option

Transmission

- Three transmit mailboxes
- Configurable transmit priority
- Time Stamp on SOF transmission

Reception

- Two receive FIFOs with three stages
- Scalable filter banks:
 - 28 filter banks shared between CAN1 and CAN2
- Identifier list feature
- Configurable FIFO overrun
- Time Stamp on SOF reception

Time-triggered communication option

- Disable automatic retransmission mode
- 16-bit free running timer
- Time Stamp sent in last two data bytes

Management

- Maskable interrupts
- Software-efficient mailbox mapping at a unique address space

Dual CAN

- CAN1: Master bxCAN for managing the communication between a Slave bxCAN and the 512-byte SRAM memory
- CAN2: Slave bxCAN, with no direct access to the SRAM memory.
- The two bxCAN cells share the 512-byte SRAM memory (see [Figure 298](#))

27.3 bxCAN general description

In today’s CAN applications, the number of nodes in a network is increasing and often several networks are linked together via gateways. Typically the number of messages in the system (and thus to be handled by each node) has significantly increased. In addition to the application messages, Network Management and Diagnostic messages have been introduced.

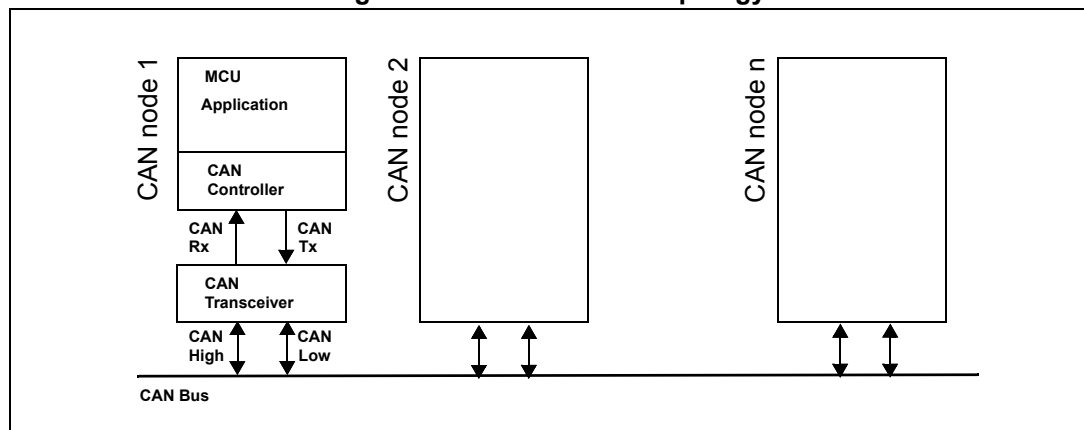
- An enhanced filtering mechanism is required to handle each type of message.

Furthermore, application tasks require more CPU time, therefore real-time constraints caused by message reception have to be reduced.

- A receive FIFO scheme allows the CPU to be dedicated to application tasks for a long time period without losing messages.

The standard HLP (Higher Layer Protocol) based on standard CAN drivers requires an efficient interface to the CAN controller.

Figure 297. CAN network topology



27.3.1 CAN 2.0B active core

The bxCAN module handles the transmission and the reception of CAN messages fully autonomously. Standard identifiers (11-bit) and extended identifiers (29-bit) are fully supported by hardware.

27.3.2 Control, status and configuration registers

The application uses these registers to:

- Configure CAN parameters, e.g. baud rate
- Request transmissions
- Handle receptions
- Manage interrupts
- Get diagnostic information

27.3.3 Tx mailboxes

Three transmit mailboxes are provided to the software for setting up messages. The transmission Scheduler decides which mailbox has to be transmitted first.

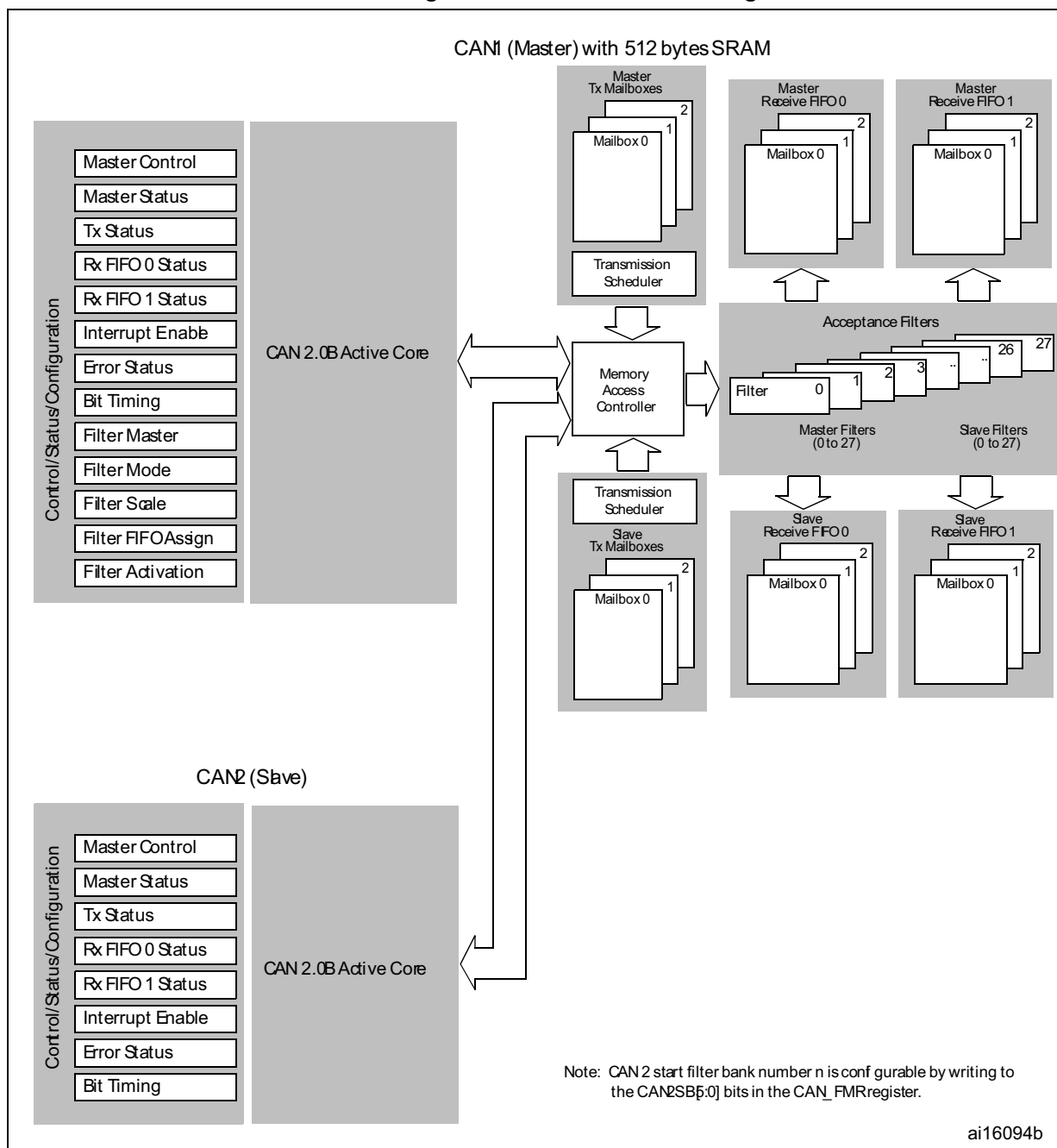
27.3.4 Acceptance filters

The bxCAN provides 28 scalable/configurable identifier filter banks for selecting the incoming messages the software needs and discarding the others. In other devices there are 14 scalable/configurable identifier filter banks.

Receive FIFO

Two receive FIFOs are used by hardware to store the incoming messages. Three complete messages can be stored in each FIFO. The FIFOs are managed completely by hardware.

Figure 298. Dual CAN block diagram



27.4 bxCAN operating modes

bxCAN has three main operating modes: **initialization**, **normal** and **Sleep**. After a hardware reset, bxCAN is in Sleep mode to reduce power consumption and an internal pull-up is active on CANTX. The software requests bxCAN to enter **initialization** or **Sleep** mode by setting the INRQ or SLEEP bits in the CAN_MCR register. Once the mode has been entered, bxCAN confirms it by setting the INAK or SLAK bits in the CAN_MSR register and the internal pull-up is disabled. When neither INAK nor SLAK are set, bxCAN is in **normal**

mode. Before entering **normal** mode bxCAN always has to **synchronize** on the CAN bus. To synchronize, bxCAN waits until the CAN bus is idle, this means 11 consecutive recessive bits have been monitored on CANRX.

27.4.1 Initialization mode

The software initialization can be done while the hardware is in Initialization mode. To enter this mode the software sets the INRQ bit in the CAN_MCR register and waits until the hardware has confirmed the request by setting the INAK bit in the CAN_MSR register.

To leave Initialization mode, the software clears the INRQ bit. bxCAN has left Initialization mode once the INAK bit has been cleared by hardware.

While in Initialization Mode, all message transfers to and from the CAN bus are stopped and the status of the CAN bus output CANTX is recessive (high).

Entering Initialization Mode does not change any of the configuration registers.

To initialize the CAN Controller, software has to set up the Bit Timing (CAN_BTR) and CAN options (CAN_MCR) registers.

To initialize the registers associated with the CAN filter banks (mode, scale, FIFO assignment, activation and filter values), software has to set the FINIT bit (CAN_FMR). Filter initialization also can be done outside the initialization mode.

Note: When FINIT=1, CAN reception is deactivated.

The filter values also can be modified by deactivating the associated filter activation bits (in the CAN_FA1R register).

If a filter bank is not used, it is recommended to leave it non active (leave the corresponding FACT bit cleared).

27.4.2 Normal mode

Once the initialization is complete, the software must request the hardware to enter Normal mode to be able to synchronize on the CAN bus and start reception and transmission.

The request to enter Normal mode is issued by clearing the INRQ bit in the CAN_MCR register. The bxCAN enters Normal mode and is ready to take part in bus activities when it has synchronized with the data transfer on the CAN bus. This is done by waiting for the occurrence of a sequence of 11 consecutive recessive bits (Bus Idle state). The switch to Normal mode is confirmed by the hardware by clearing the INAK bit in the CAN_MSR register.

The initialization of the filter values is independent from Initialization Mode but must be done while the filter is not active (corresponding FACTx bit cleared). The filter scale and mode configuration must be configured before entering Normal Mode.

27.4.3 Sleep mode (low-power)

To reduce power consumption, bxCAN has a low-power mode called Sleep mode. This mode is entered on software request by setting the SLEEP bit in the CAN_MCR register. In this mode, the bxCAN clock is stopped, however software can still access the bxCAN mailboxes.

If software requests entry to **initialization** mode by setting the INRQ bit while bxCAN is in **Sleep** mode, it must also clear the SLEEP bit.

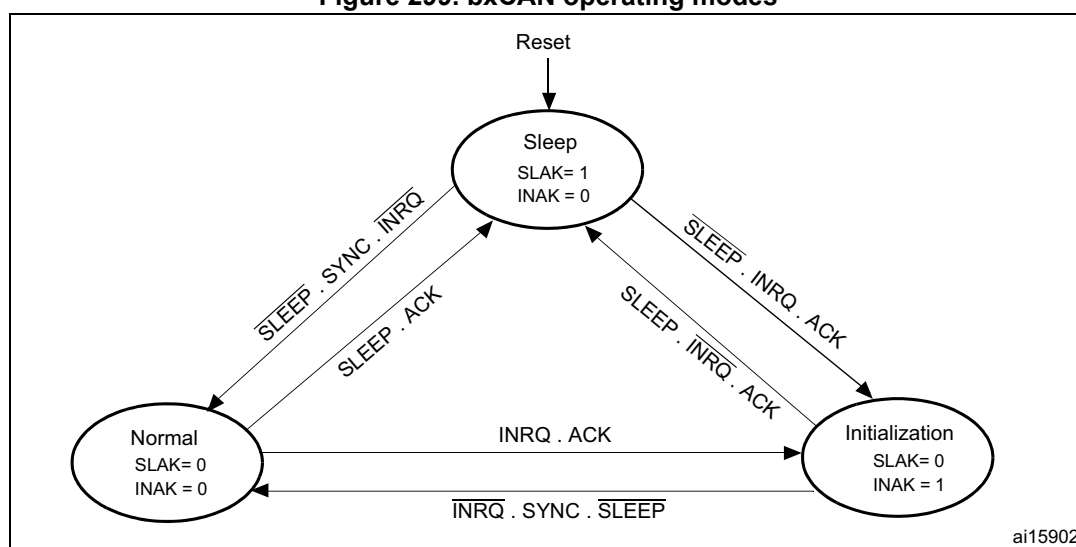
bxCAN can be woken up (exit Sleep mode) either by software clearing the SLEEP bit or on detection of CAN bus activity.

On CAN bus activity detection, hardware automatically performs the wake-up sequence by clearing the SLEEP bit if the AWUM bit in the CAN_MCR register is set. If the AWUM bit is cleared, software has to clear the SLEEP bit when a wake-up interrupt occurs, in order to exit from Sleep mode.

Note: If the wake-up interrupt is enabled (WKUIE bit set in CAN_IER register) a wake-up interrupt is generated on detection of CAN bus activity, even if the bxCAN automatically performs the wake-up sequence.

After the SLEEP bit has been cleared, Sleep mode is exited once bxCAN has synchronized with the CAN bus, refer to Figure 299. The Sleep mode is exited once the SLAK bit has been cleared by hardware.

Figure 299. bxCAN operating modes



1. ACK = The wait state during which hardware confirms a request by setting the INAK or SLAK bits in the CAN_MSR register
2. SYNC = The state during which bxCAN waits until the CAN bus is idle, meaning 11 consecutive recessive bits have been monitored on CANRX

27.5 Test mode

Test mode can be selected by the SILM and LBKM bits in the CAN_BTR register. These bits must be configured while bxCAN is in Initialization mode. Once test mode has been selected, the INRQ bit in the CAN_MCR register must be reset to enter Normal mode.

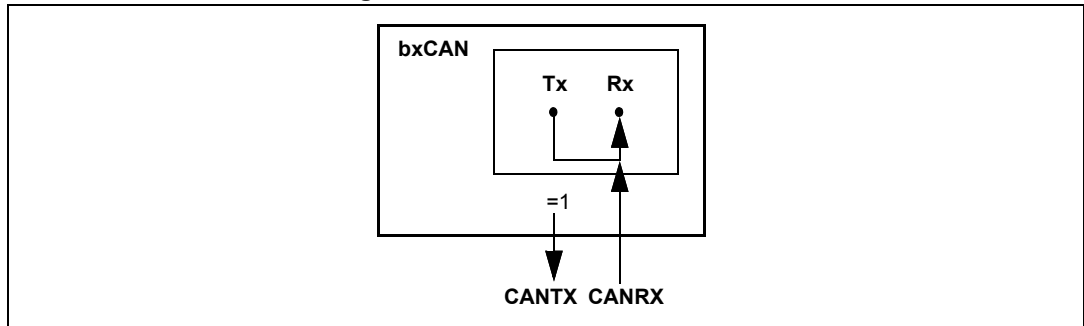
27.5.1 Silent mode

The bxCAN can be put in Silent mode by setting the SILM bit in the CAN_BTR register.

In Silent mode, the bxCAN is able to receive valid data frames and valid remote frames, but it sends only recessive bits on the CAN bus and it cannot start a transmission. If the bxCAN has to send a dominant bit (ACK bit, overload flag, active error flag), the bit is rerouted internally so that the CAN Core monitors this dominant bit, although the CAN bus may

remain in recessive state. Silent mode can be used to analyze the traffic on a CAN bus without affecting it by the transmission of dominant bits (Acknowledge Bits, Error Frames).

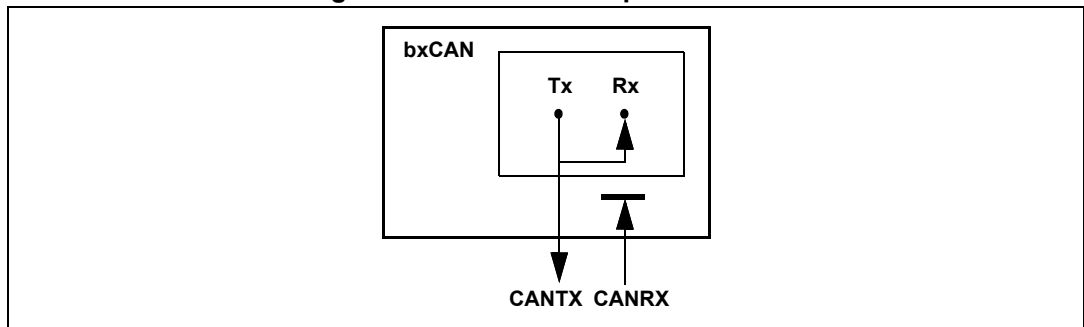
Figure 300. bxCAN in silent mode



27.5.2 Loop back mode

The bxCAN can be set in Loop Back Mode by setting the LBKM bit in the CAN_BTR register. In Loop Back Mode, the bxCAN treats its own transmitted messages as received messages and stores them (if they pass acceptance filtering) in a Receive mailbox.

Figure 301. bxCAN in loop back mode

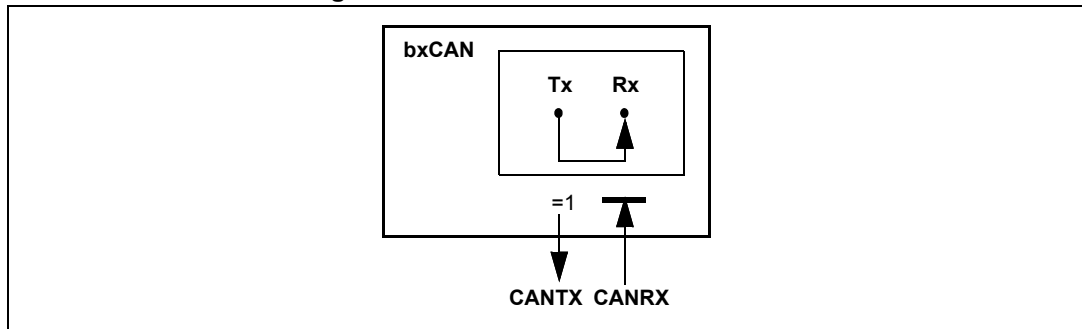


This mode is provided for self-test functions. To be independent of external events, the CAN Core ignores acknowledge errors (no dominant bit sampled in the acknowledge slot of a data / remote frame) in Loop Back Mode. In this mode, the bxCAN performs an internal feedback from its Tx output to its Rx input. The actual value of the CANRX input pin is disregarded by the bxCAN. The transmitted messages can be monitored on the CANTX pin.

27.5.3 Loop back combined with silent mode

It is also possible to combine Loop Back mode and Silent mode by setting the LBKM and SILM bits in the CAN_BTR register. This mode can be used for a “Hot Selftest”, meaning the bxCAN can be tested like in Loop Back mode but without affecting a running CAN system connected to the CANTX and CANRX pins. In this mode, the CANRX pin is disconnected from the bxCAN and the CANTX pin is held recessive.

Figure 302. bxCAN in combined mode



27.6 Debug mode

When the microcontroller enters the debug mode (Cortex[®]-M3 core halted), the bxCAN continues to work normally or stops, depending on:

- the DBG_CAN1_STOP bit for CAN1 or the DBG_CAN2_STOP bit for CAN2 in the DBG module. For more details, refer to [Section 32.16.2: Debug support for timers, watchdog, bxCAN and I²C](#).
- the DBF bit in CAN_MCR. For more details, refer to [Section 27.9.2](#).

27.7 bxCAN functional description

27.7.1 Transmission handling

In order to transmit a message, the application must select one **empty** transmit mailbox, set up the identifier, the data length code (DLC) and the data before requesting the transmission by setting the corresponding TXRQ bit in the CAN_TlXR register. Once the mailbox has left **empty** state, the software no longer has write access to the mailbox registers. Immediately after the TXRQ bit has been set, the mailbox enters **pending** state and waits to become the highest priority mailbox, see *Transmit Priority*. As soon as the mailbox has the highest priority it is **scheduled** for transmission. The transmission of the message of the scheduled mailbox starts (enters **transmit** state) when the CAN bus becomes idle. Once the mailbox has been successfully transmitted, it becomes **empty** again. The hardware indicates a successful transmission by setting the RQCP and TXOK bits in the CAN_TSR register.

If the transmission fails, the cause is indicated by the ALST bit in the CAN_TSR register in case of an Arbitration Lost, and/or the TERR bit, in case of transmission error detection.

Transmit priority

- By identifier When more than one transmit mailbox is pending, the transmission order is given by the identifier of the message stored in the mailbox. The message with the lowest identifier value has the highest priority according to the arbitration of the CAN protocol. If the identifier values are equal, the lower mailbox number is scheduled first.
- By transmit request order The transmit mailboxes can be configured as a transmit FIFO by setting the TXFP bit in the CAN_MCR register. In this mode the priority order is given by the transmit request order. This mode is very useful for segmented transmission.

Abort

A transmission request can be aborted by the user setting the ABRQ bit in the CAN_TSR register. In **pending** or **scheduled** state, the mailbox is aborted immediately. An abort request while the mailbox is in **transmit** state can have two results. If the mailbox is transmitted successfully the mailbox becomes **empty** with the TXOK bit set in the CAN_TSR register. If the transmission fails, the mailbox becomes **scheduled**, the transmission is aborted and becomes **empty** with TXOK cleared. In all cases the mailbox becomes **empty** again at least at the end of the current transmission.

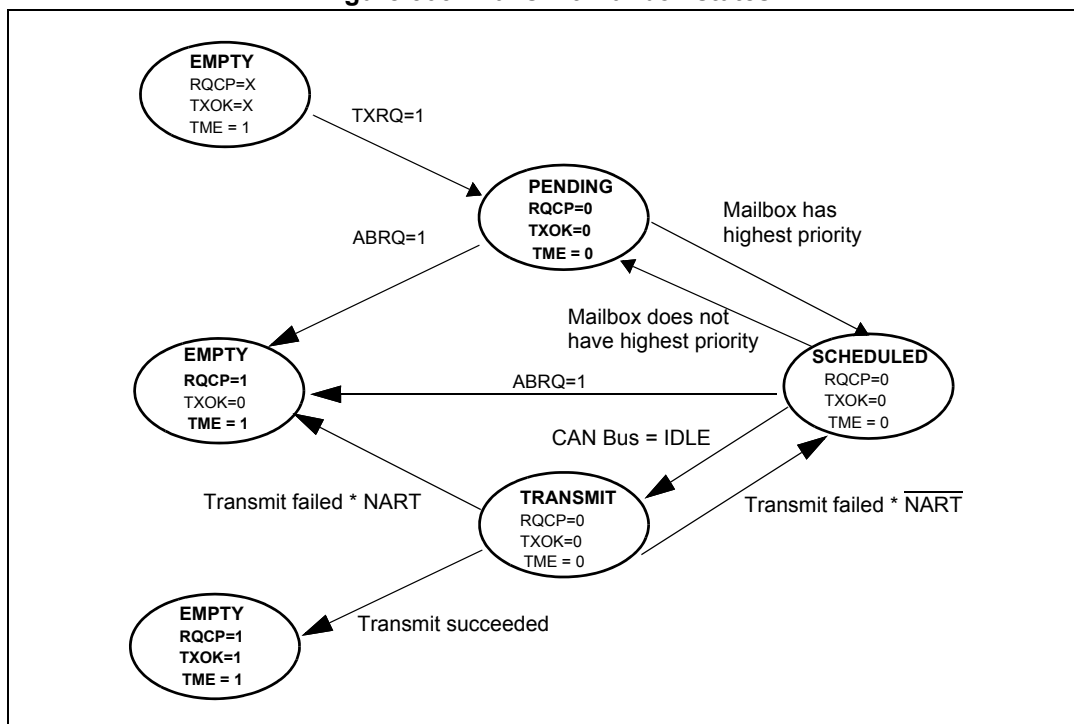
Nonautomatic retransmission mode

This mode has been implemented in order to fulfil the requirement of the Time Triggered Communication option of the CAN standard. To configure the hardware in this mode the NART bit in the CAN_MCR register must be set.

In this mode, each transmission is started only once. If the first attempt fails, due to an arbitration loss or an error, the hardware does not automatically restart the message transmission.

At the end of the first transmission attempt, the hardware considers the request as completed and sets the RQCP bit in the CAN_TSR register. The result of the transmission is indicated in the CAN_TSR register by the TXOK, ALST and TERR bits.

Figure 303. Transmit mailbox states



27.7.2 Time triggered communication mode

In this mode, the internal counter of the CAN hardware is activated and used to generate the Time Stamp value stored in the CAN_RDTxR/CAN_TDTxR registers, respectively (for Rx and Tx mailboxes). The internal counter is incremented each CAN bit time (refer to [Section 27.7.7](#)). The internal counter is captured on the sample point of the Start Of Frame bit in both reception and transmission.

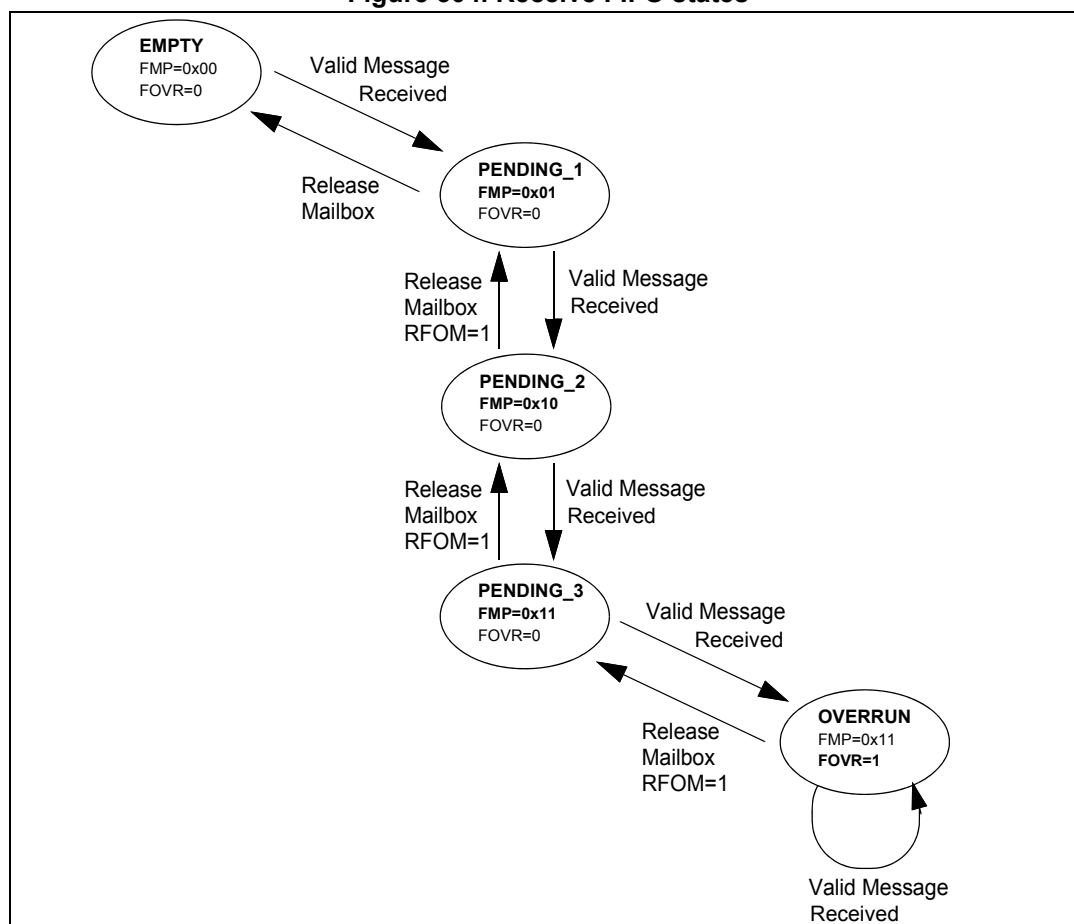
27.7.3 Reception handling

For the reception of CAN messages, three mailboxes organized as a FIFO are provided. In order to save CPU load, simplify the software and guarantee data consistency, the FIFO is managed completely by hardware. The application accesses the messages stored in the FIFO through the FIFO output mailbox.

Valid message

A received message is considered as valid **when** it has been received correctly according to the CAN protocol (no error until the last but one bit of the EOF field) **and** It passed through the identifier filtering successfully, see [Section 27.7.4](#).

Figure 304. Receive FIFO states



FIFO management

Starting from the **empty** state, the first valid message received is stored in the FIFO which becomes **pending_1**. The hardware signals the event setting the FMP[1:0] bits in the CAN_RFR register to the value 01b. The message is available in the FIFO output mailbox. The software reads out the mailbox content and releases it by setting the RFOM bit in the CAN_RFR register. The FIFO becomes **empty** again. If a new valid message has been received in the meantime, the FIFO stays in **pending_1** state and the new message is available in the output mailbox.

If the application does not release the mailbox, the next valid message is stored in the FIFO which enters **pending_2** state (FMP[1:0] = 10b). The storage process is repeated for the next valid message putting the FIFO into **pending_3** state (FMP[1:0] = 11b). At this point, the software must release the output mailbox by setting the RFOM bit, so that a mailbox is free to store the next valid message. Otherwise the next valid message received causes a loss of message.

Refer also to [Section 27.7.5](#)

Overrun

Once the FIFO is in **pending_3** state (i.e. the three mailboxes are full) the next valid message reception leads to an **overrun** and a message is lost. The hardware signals the

overrun condition by setting the FOVR bit in the CAN_RFR register. Which message is lost depends on the configuration of the FIFO:

- If the FIFO lock function is disabled (RFLM bit in the CAN_MCR register cleared) the last message stored in the FIFO is overwritten by the new incoming message. In this case the latest messages are always available to the application.
- If the FIFO lock function is enabled (RFLM bit in the CAN_MCR register set) the most recent message is discarded and the software has the three oldest messages in the FIFO available.

Reception related interrupts

Once a message has been stored in the FIFO, the FMP[1:0] bits are updated and an interrupt request is generated if the FMPIE bit in the CAN_IER register is set.

When the FIFO becomes full (i.e. a third message is stored) the FULL bit in the CAN_RFR register is set and an interrupt is generated if the FFIE bit in the CAN_IER register is set.

On overrun condition, the FOVR bit is set and an interrupt is generated if the FOVIE bit in the CAN_IER register is set.

27.7.4 Identifier filtering

In the CAN protocol the identifier of a message is not associated with the address of a node but related to the content of the message. Consequently a transmitter broadcasts its message to all receivers. On message reception a receiver node decides - depending on the identifier value - whether the software needs the message or not. If the message is needed, it is copied into the SRAM. If not, the message must be discarded without intervention by the software.

To fulfill this requirement, the bxCAN Controller provides 28 configurable and scalable filter banks (27-0) to the application. In other devices the bxCAN Controller provides 14 configurable and scalable filter banks (13-0) to the application in order to receive only the messages the software needs. This hardware filtering saves CPU resources which would be otherwise needed to perform filtering by software. Each filter bank *x* consists of two 32-bit registers, CAN_FxR0 and CAN_FxR1.

Scalable width

To optimize and adapt the filters to the application needs, each filter bank can be scaled independently. Depending on the filter scale a filter bank provides:

- One 32-bit filter for the STDID[10:0], EXTID[17:0], IDE and RTR bits.
- Two 16-bit filters for the STDID[10:0], RTR, IDE and EXTID[17:15] bits.

Refer to [Figure 305](#).

Furthermore, the filters can be configured in mask mode or in identifier list mode.

Mask mode

In **mask** mode the identifier registers are associated with mask registers specifying which bits of the identifier are handled as “must match” or as “don’t care”.

Identifier list mode

In **identifier list** mode, the mask registers are used as identifier registers. Thus instead of defining an identifier and a mask, two identifiers are specified, doubling the number of single

identifiers. All bits of the incoming identifier must match the bits specified in the filter registers.

Filter bank scale and mode configuration

The filter banks are configured by means of the corresponding CAN_FMR register. To configure a filter bank it must be deactivated by clearing the FACT bit in the CAN_FAR register. The filter scale is configured by means of the corresponding FSCx bit in the CAN_FS1R register, refer to *Figure 305*. The **identifier list** or **identifier mask** mode for the corresponding Mask/Identifier registers is configured by means of the FBMx bits in the CAN_FMR register.

To filter a group of identifiers, configure the Mask/Identifier registers in mask mode.

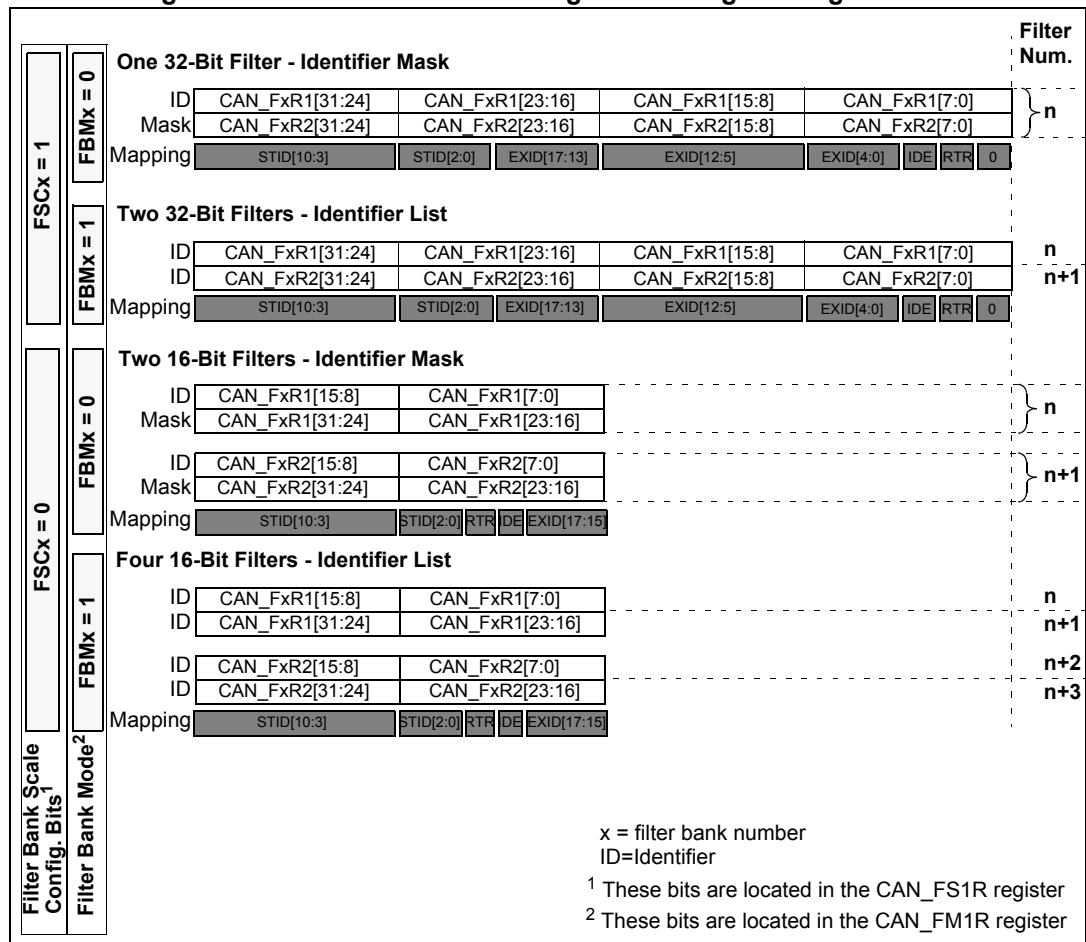
To select single identifiers, configure the Mask/Identifier registers in identifier list mode.

Filters not used by the application should be left deactivated.

Each filter within a filter bank is numbered (called the *Filter Number*) from 0 to a maximum dependent on the mode and the scale of each of the filter banks.

Concerning the filter configuration, refer to *Figure 305*.

Figure 305. Filter bank scale configuration - register organization



Filter match index

Once a message has been received in the FIFO it is available to the application. Typically, application data is copied into SRAM locations. To copy the data to the right location the application has to identify the data by means of the identifier. To avoid this, and to ease the access to the SRAM locations, the CAN controller provides a Filter Match Index.

This index is stored in the mailbox together with the message according to the filter priority rules. Thus each received message has its associated filter match index.

The Filter Match index can be used in two ways:

- Compare the Filter Match index with a list of expected values.
- Use the Filter Match Index as an index on an array to access the data destination location.

For nonmasked filters, the software no longer has to compare the identifier.

If the filter is masked the software reduces the comparison to the masked bits only.

The index value of the filter number does not take into account the activation state of the filter banks. In addition, two independent numbering schemes are used, one for each FIFO. Refer to [Figure 306](#) for an example.

Figure 306. Example of filter numbering

Filter Bank	FIFO0	Filter Num.	Filter Bank	FIFO1	Filter Num.
0	ID List (32-bit)	0 1	2	ID Mask (16-bit)	0 1
1	ID Mask (32-bit)	2	4	ID List (32-bit)	2 3
3	ID List (16-bit)	3 4 5 6	7	Deactivated ID Mask (16-bit)	4 5
5	Deactivated ID List (32-bit)	7 8	8	ID Mask (16-bit)	6 7
6	ID Mask (16-bit)	9 10	10	Deactivated ID List (16-bit)	8 9 10 11
9	ID List (32-bit)	11 12	11	ID List (32-bit)	12 13
13	ID Mask (32-bit)	13	12	ID Mask (32-bit)	14

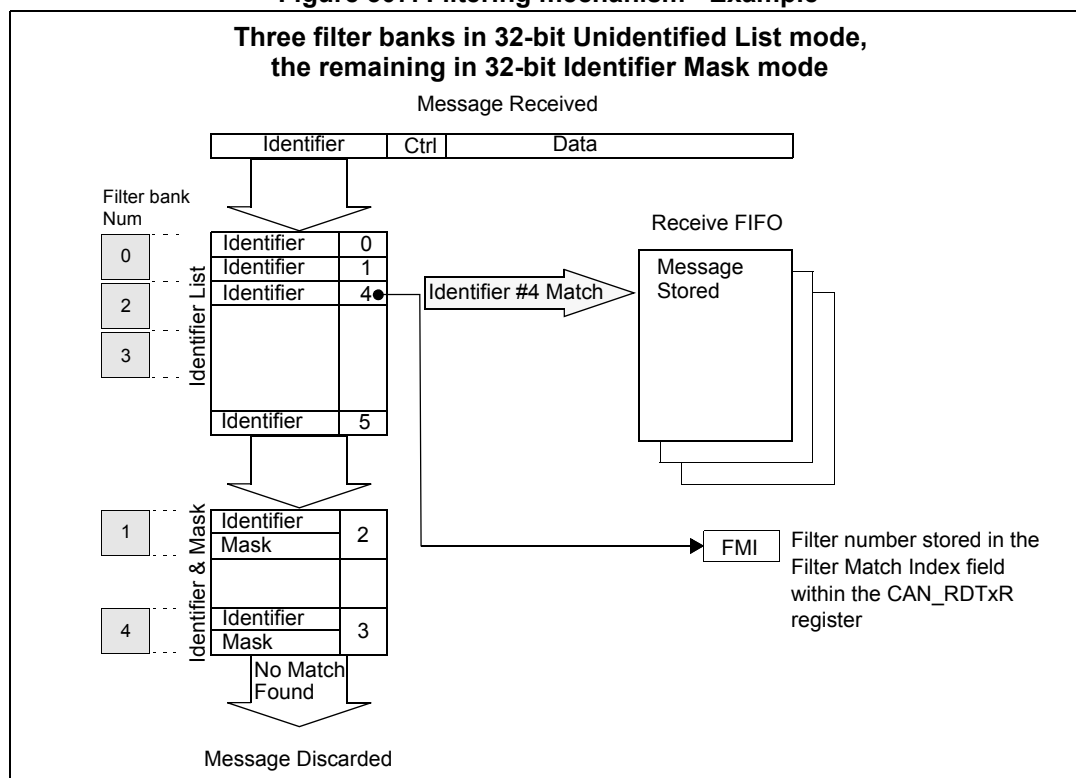
ID = Identifier

Filter priority rules

Depending on the filter combination it may occur that an identifier passes successfully through several filters. In this case the filter match value stored in the receive mailbox is chosen according to the following priority rules:

- A 32-bit filter takes priority over a 16-bit filter.
- For filters of equal scale, priority is given to the Identifier List mode over the Identifier Mask mode
- For filters of equal scale and mode, priority is given by the filter number (the lower the number, the higher the priority).

Figure 307. Filtering mechanism - Example



The example above shows the filtering principle of the bxCAN. On reception of a message, the identifier is compared first with the filters configured in identifier list mode. If there is a match, the message is stored in the associated FIFO and the index of the matching filter is stored in the Filter Match Index. As shown in the example, the identifier matches with Identifier #4, thus the message content and FMI 2 is stored in the FIFO.

If there is no match, the incoming identifier is compared with the filters configured in mask mode.

If the identifier does not match any of the identifiers configured in the filters, the message is discarded by hardware without disturbing the software.

27.7.5 Message storage

The interface between the software and the hardware for the CAN messages is implemented by means of mailboxes. A mailbox contains all information related to a message; identifier, data, control, status and time stamp information.

Transmit mailbox

The software sets up the message to be transmitted in an empty transmit mailbox. The status of the transmission is indicated by hardware in the CAN_TSR register.

Table 135. Transmit mailbox mapping

Offset to transmit mailbox base address (bytes)	Register name
0	CAN_TlRxR
4	CAN_TDTxR
8	CAN_TDLxR
12	CAN_TDHxR

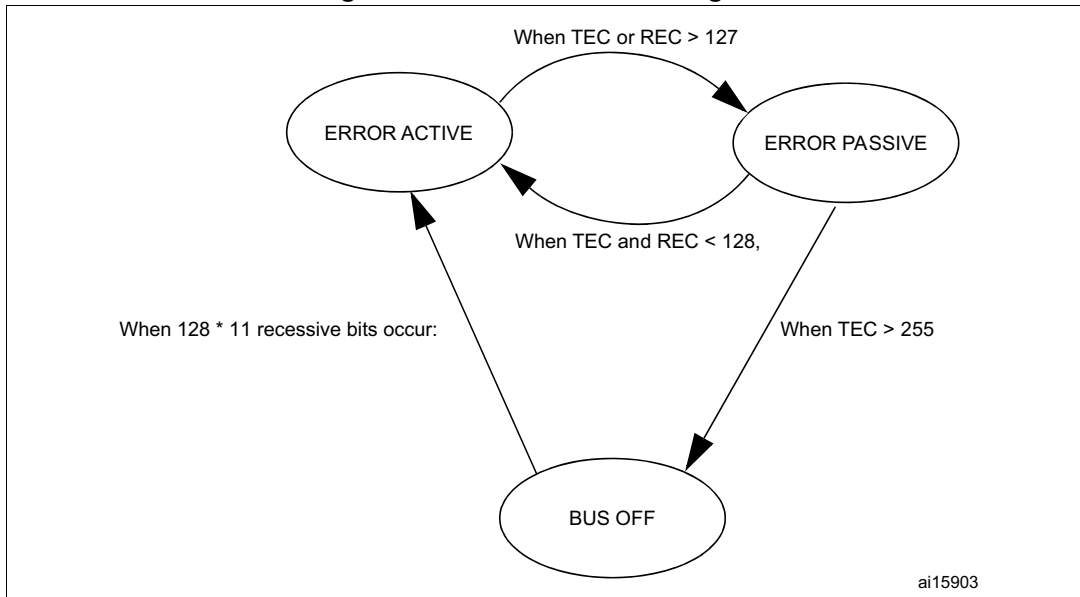
Receive mailbox

When a message has been received, it is available to the software in the FIFO output mailbox. Once the software has handled the message (e.g. read it) the software must release the FIFO output mailbox by means of the RFOM bit in the CAN_RFR register to make the next incoming message available. The filter match index is stored in the MFMI field of the CAN_RDTxR register. The 16-bit time stamp value is stored in the TIME[15:0] field of CAN_RDTxR.

Table 136. Receive mailbox mapping

Offset to receive mailbox base address (bytes)	Register name
0	CAN_RlRxR
4	CAN_RDTxR
8	CAN_RDLxR
12	CAN_RDHxR

Figure 308. CAN error state diagram



27.7.6 Error management

The error management as described in the CAN protocol is handled entirely by hardware using a Transmit Error Counter (TEC value, in CAN_ESR register) and a Receive Error Counter (REC value, in the CAN_ESR register), which get incremented or decremented according to the error condition. For detailed information about TEC and REC management, refer to the CAN standard.

Both of them may be read by software to determine the stability of the network. Furthermore, the CAN hardware provides detailed information on the current error status in CAN_ESR register. By means of the CAN_IER register (ERRIE bit, etc.), the software can configure the interrupt generation on error detection in a very flexible way.

Bus-Off recovery

The Bus-Off state is reached when TEC is greater than 255, this state is indicated by BOFF bit in CAN_ESR register. In Bus-Off state, the bxCAN is no longer able to transmit and receive messages.

Depending on the ABOM bit in the CAN_MCR register bxCAN recovers from Bus-Off (become error active again) either automatically or on software request. But in both cases the bxCAN has to wait at least for the recovery sequence specified in the CAN standard (128 occurrences of 11 consecutive recessive bits monitored on CANRX).

If ABOM is set, the bxCAN starts the recovering sequence automatically after it has entered Bus-Off state.

If ABOM is cleared, the software must initiate the recovering sequence by requesting bxCAN to enter and to leave initialization mode.

Note: In initialization mode, bxCAN does not monitor the CANRX signal, therefore it cannot complete the recovery sequence. **To recover, bxCAN must be in normal mode.**

27.7.7 Bit timing

The bit timing logic monitors the serial bus-line and performs sampling and adjustment of the sample point by synchronizing on the start-bit edge and resynchronizing on the following edges.

Its operation may be explained simply by splitting nominal bit time into three segments as follows:

- **Synchronization segment (SYNC_SEG):** a bit change is expected to occur within this time segment. It has a fixed length of one time quantum ($1 \times t_q$).
- **Bit segment 1 (BS1):** defines the location of the sample point. It includes the PROP_SEG and PHASE_SEG1 of the CAN standard. Its duration is programmable between 1 and 16 time quanta but may be automatically lengthened to compensate for positive phase drifts due to differences in the frequency of the various nodes of the network.
- **Bit segment 2 (BS2):** defines the location of the transmit point. It represents the PHASE_SEG2 of the CAN standard. Its duration is programmable between 1 and 8 time quanta but may also be automatically shortened to compensate for negative phase drifts.

The resynchronization Jump Width (SJW) defines an upper bound to the amount of lengthening or shortening of the bit segments. It is programmable between 1 and 4 time quanta.

A valid edge is defined as the first transition in a bit time from dominant to recessive bus level provided the controller itself does not send a recessive bit.

If a valid edge is detected in BS1 instead of SYNC_SEG, BS1 is extended by up to SJW so that the sample point is delayed.

Conversely, if a valid edge is detected in BS2 instead of SYNC_SEG, BS2 is shortened by up to SJW so that the transmit point is moved earlier.

As a safeguard against programming errors, the configuration of the Bit Timing register (CAN_BTR) is only possible while the device is in Standby mode.

Note: For a detailed description of the CAN bit timing and resynchronization mechanism, refer to the ISO 11898 standard.

Figure 309. Bit timing

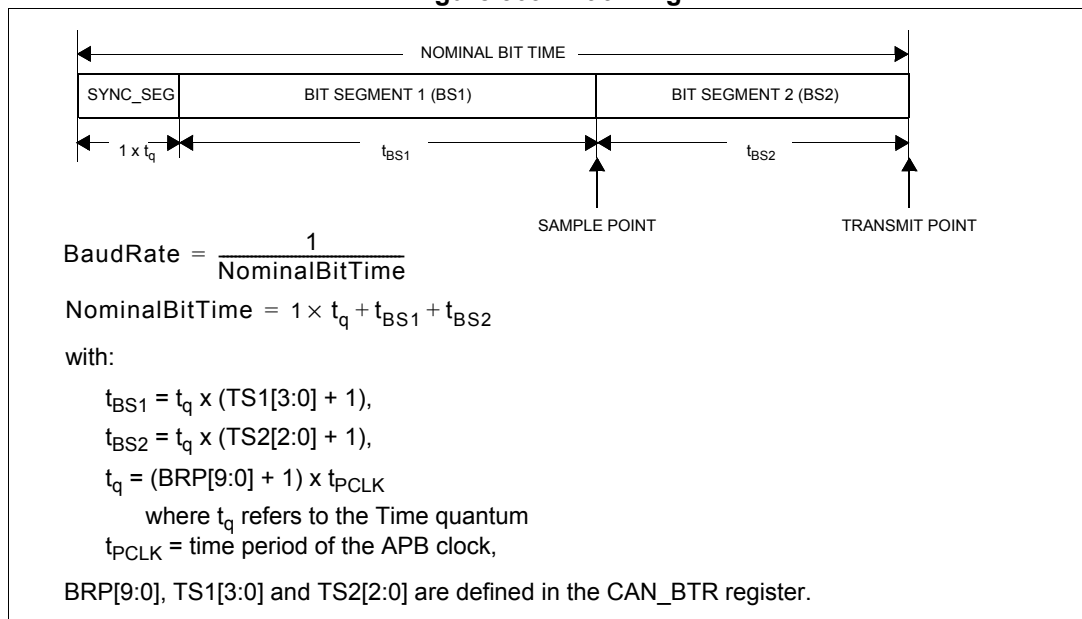
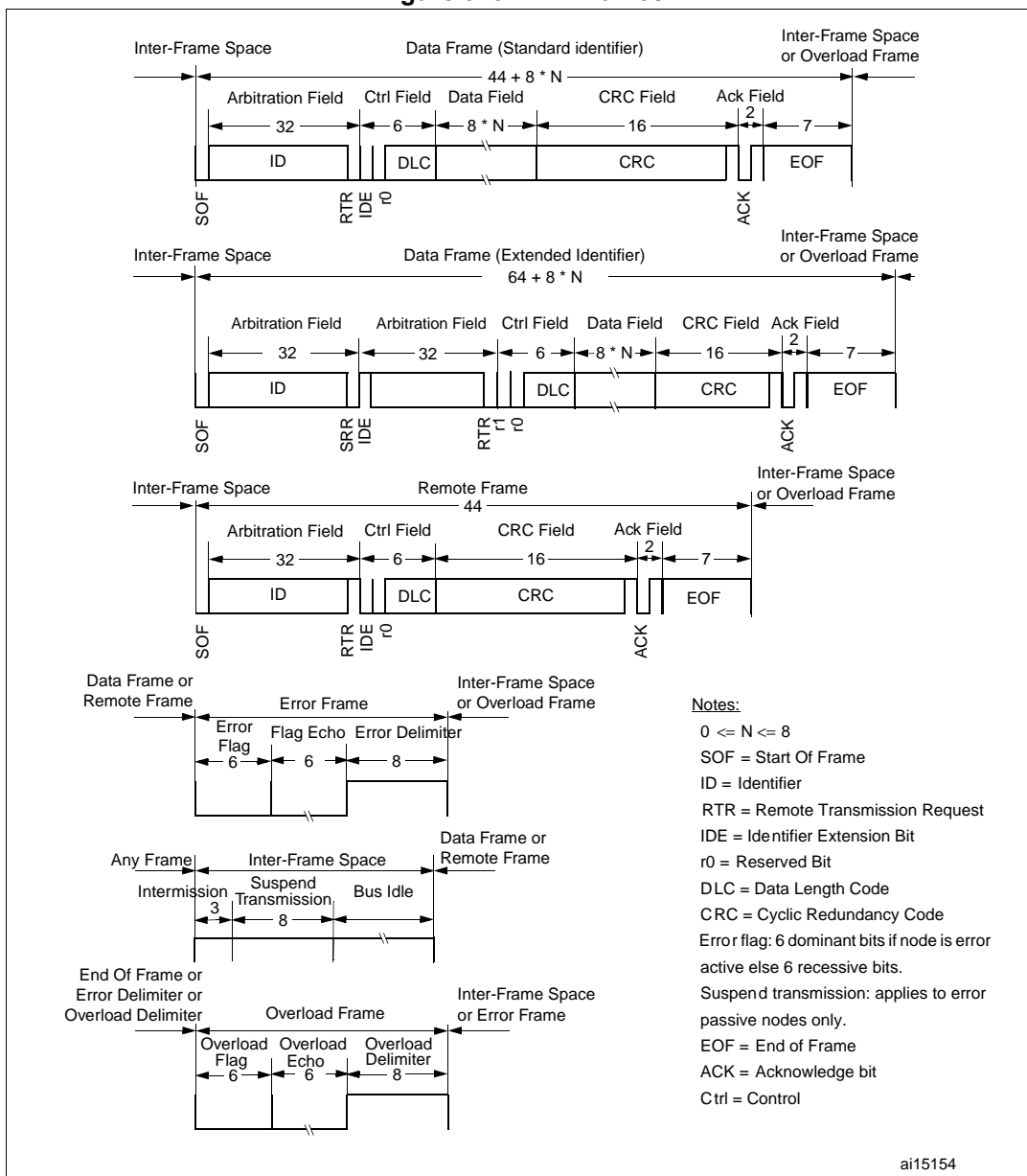


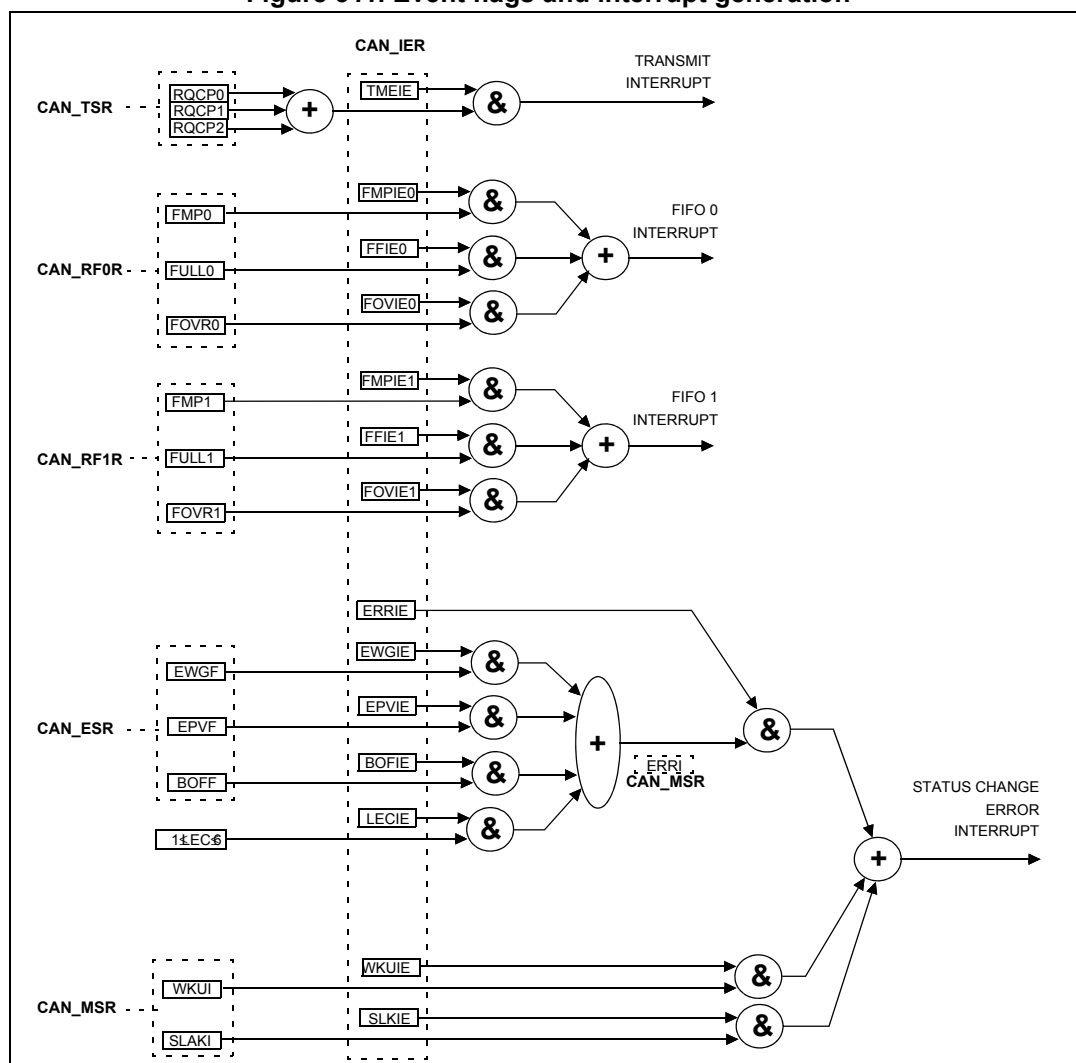
Figure 310. CAN frames



27.8 bxCAN interrupts

Four interrupt vectors are dedicated to bxCAN. Each interrupt source can be independently enabled or disabled by means of the CAN Interrupt Enable register (CAN_IER).

Figure 311. Event flags and interrupt generation



- The **transmit interrupt** can be generated by the following events:
 - Transmit mailbox 0 becomes empty, RQCP0 bit in the CAN_TSR register set.
 - Transmit mailbox 1 becomes empty, RQCP1 bit in the CAN_TSR register set.
 - Transmit mailbox 2 becomes empty, RQCP2 bit in the CAN_TSR register set.
- The **FIFO 0 interrupt** can be generated by the following events:
 - Reception of a new message, FMP0 bits in the CAN_RF0R register are not '00'.
 - FIFO0 full condition, FULL0 bit in the CAN_RF0R register set.
 - FIFO0 overrun condition, FOVR0 bit in the CAN_RF0R register set.
- The **FIFO 1 interrupt** can be generated by the following events:
 - Reception of a new message, FMP1 bits in the CAN_RF1R register are not '00'.
 - FIFO1 full condition, FULL1 bit in the CAN_RF1R register set.
 - FIFO1 overrun condition, FOVR1 bit in the CAN_RF1R register set.
- The **error and status change interrupt** can be generated by the following events:
 - Error condition, for more details on error conditions refer to the CAN Error Status register (CAN_ESR).

- Wake-up condition, SOF monitored on the CAN Rx signal.
- Entry into Sleep mode.

27.9 CAN registers

The peripheral registers have to be accessed by words (32 bits).

27.9.1 Register access protection

Erroneous access to certain configuration registers can cause the hardware to temporarily disturb the whole CAN network. Therefore the CAN_BTR register can be modified by software only while the CAN hardware is in initialization mode.

Although the transmission of incorrect data does not cause problems at the CAN network level, it can severely disturb the application. A transmit mailbox can be only modified by software while it is in empty state, refer to [Figure 303](#).

The filter values can be modified either deactivating the associated filter banks or by setting the FINIT bit. Moreover, the modification of the filter configuration (scale, mode and FIFO assignment) in CAN_FMxR, CAN_FSxR and CAN_FFAR registers can only be done when the filter initialization mode is set (FINIT=1) in the CAN_FMR register.

27.9.2 CAN control and status registers

Refer to [Section 2.2 on page 45](#) for a list of abbreviations used in register descriptions.

CAN master control register (CAN_MCR)

Address offset: 0x00

Reset value: 0x0001 0002

31	30	29	28	27	26	25	24	23	22	21	20	19	18	17	16
Reserved															DBF
															rw
15	14	13	12	11	10	9	8	7	6	5	4	3	2	1	0
RESET	Reserved							TTCM	ABOM	AWUM	NART	RFLM	TXFP	SLEEP	INRQ
rs								rw	rw	rw	rw	rw	rw	rw	rw

Bits 31:17 Reserved, must be kept at reset value.

Bit 16 **DBF**: Debug freeze

0: CAN working during debug

1: CAN reception/transmission frozen during debug. Reception FIFOs can still be accessed/controlled normally.

Bit 15 **RESET**: bxCAN software master reset

0: Normal operation.

1: Force a master reset of the bxCAN -> Sleep mode activated after reset (FMP bits and CAN_MCR register are initialized to the reset values). This bit is automatically reset to 0.

Bits 14:8 Reserved, must be kept at reset value.

- Bit 7 **TTCM**: Time triggered communication mode
0: Time Triggered Communication mode disabled.
1: Time Triggered Communication mode enabled
Note: For more information on Time Triggered Communication mode refer to [Section 27.7.2](#).
- Bit 6 **ABOM**: Automatic bus-off management
This bit controls the behavior of the CAN hardware on leaving the Bus-Off state.
0: The Bus-Off state is left on software request, once 128 occurrences of 11 recessive bits have been monitored and the software has first set and cleared the INRQ bit of the CAN_MCR register.
1: The Bus-Off state is left automatically by hardware once 128 occurrences of 11 recessive bits have been monitored.
For detailed information on the Bus-Off state refer to [Section 27.7.6](#).
- Bit 5 **AWUM**: Automatic wake-up mode
This bit controls the behavior of the CAN hardware on message reception during Sleep mode.
0: The Sleep mode is left on software request by clearing the SLEEP bit of the CAN_MCR register.
1: The Sleep mode is left automatically by hardware on CAN message detection.
The SLEEP bit of the CAN_MCR register and the SLAK bit of the CAN_MSR register are cleared by hardware.
- Bit 4 **NART**: No automatic retransmission
0: The CAN hardware automatically retransmits the message until it has been successfully transmitted according to the CAN standard.
1: A message is transmitted only once, independently of the transmission result (successful, error or arbitration lost).
- Bit 3 **RFLM**: Receive FIFO locked mode
0: Receive FIFO not locked on overrun. Once a receive FIFO is full the next incoming message overwrites the previous one.
1: Receive FIFO locked against overrun. Once a receive FIFO is full the next incoming message is discarded.
- Bit 2 **TXFP**: Transmit FIFO priority
This bit controls the transmission order when several mailboxes are pending at the same time.
0: Priority driven by the identifier of the message
1: Priority driven by the request order (chronologically)
- Bit 1 **SLEEP**: Sleep mode request
This bit is set by software to request the CAN hardware to enter the Sleep mode. Sleep mode is entered as soon as the current CAN activity (transmission or reception of a CAN frame) has been completed.
This bit is cleared by software to exit Sleep mode.
This bit is cleared by hardware when the AWUM bit is set and a SOF bit is detected on the CAN Rx signal.
This bit is set after reset - CAN starts in Sleep mode.

Bit 0 **INRQ**: Initialization request

The software clears this bit to switch the hardware into normal mode. Once 11 consecutive recessive bits have been monitored on the Rx signal the CAN hardware is synchronized and ready for transmission and reception. Hardware signals this event by clearing the INAK bit in the CAN_MSR register.

Software sets this bit to request the CAN hardware to enter initialization mode. Once software has set the INRQ bit, the CAN hardware waits until the current CAN activity (transmission or reception) is completed before entering the initialization mode. Hardware signals this event by setting the INAK bit in the CAN_MSR register.

CAN master status register (CAN_MSR)

Address offset: 0x04

Reset value: 0x0000 0C02

31	30	29	28	27	26	25	24	23	22	21	20	19	18	17	16	
Reserved																
15	14	13	12	11	10	9	8	7	6	5	4	3	2	1	0	
Reserved.				RX	SAMP	RXM	TXM	Reserved				SLAKI	WKUI	ERRI	SLAK	INAK
				r	r	r	r					rc_w1	rc_w1	rc_w1	r	r

Bits 31:12 Reserved, must be kept at reset value.

Bit 11 **RX**: CAN Rx signal

Monitors the actual value of the **CAN_RX** Pin.

Bit 10 **SAMP**: Last sample point

The value of RX on the last sample point (current received bit value).

Bit 9 **RXM**: Receive mode

The CAN hardware is currently receiver.

Bit 8 **TXM**: Transmit mode

The CAN hardware is currently transmitter.

Bits 7:5 Reserved, must be kept at reset value.

Bit 4 **SLAKI**: Sleep acknowledge interrupt

When SLKIE=1, this bit is set by hardware to signal that the bxCAN has entered Sleep Mode. When set, this bit generates a status change interrupt if the SLKIE bit in the CAN_IER register is set.

This bit is cleared by software or by hardware, when SLAK is cleared.

Note: When SLKIE=0, no polling on SLAKI is possible. In this case the SLAK bit can be polled.

Bit 3 **WKUI**: Wake-up interrupt

This bit is set by hardware to signal that a SOF bit has been detected while the CAN hardware was in Sleep mode. Setting this bit generates a status change interrupt if the WKUIE bit in the CAN_IER register is set.

This bit is cleared by software.

Bit 2 **ERRI**: Error interrupt

This bit is set by hardware when a bit of the CAN_ESR has been set on error detection and the corresponding interrupt in the CAN_IER is enabled. Setting this bit generates a status change interrupt if the ERRIE bit in the CAN_IER register is set.
This bit is cleared by software.

Bit 1 **SLAK**: Sleep acknowledge

This bit is set by hardware and indicates to the software that the CAN hardware is now in Sleep mode. This bit acknowledges the Sleep mode request from the software (set SLEEP bit in CAN_MCR register).
This bit is cleared by hardware when the CAN hardware has left Sleep mode (to be synchronized on the CAN bus). To be synchronized the hardware has to monitor a sequence of 11 consecutive recessive bits on the CAN RX signal.

Note: The process of leaving Sleep mode is triggered when the SLEEP bit in the CAN_MCR register is cleared. Refer to the AWUM bit of the CAN_MCR register description for detailed information for clearing SLEEP bit

Bit 0 **INAK**: Initialization acknowledge

This bit is set by hardware and indicates to the software that the CAN hardware is now in initialization mode. This bit acknowledges the initialization request from the software (set INRQ bit in CAN_MCR register).
This bit is cleared by hardware when the CAN hardware has left the initialization mode (to be synchronized on the CAN bus). To be synchronized the hardware has to monitor a sequence of 11 consecutive recessive bits on the CAN RX signal.

CAN transmit status register (CAN_TSR)

Address offset: 0x08

Reset value: 0x1C00 0000

31	30	29	28	27	26	25	24	23	22	21	20	19	18	17	16	
LOW2	LOW1	LOW0	TME2	TME1	TME0	CODE[1:0]		ABRQ2	Reserved				TERR2	ALST2	TXOK2	RQCP2
r	r	r	r	r	r	r	r	rs					rc_w1	rc_w1	rc_w1	rc_w1
15	14	13	12	11	10	9	8	7	6	5	4	3	2	1	0	
ABRQ1	Reserved			TERR1	ALST1	TXOK1	RQCP1	ABRQ0	Reserved				TERR0	ALST0	TXOK0	RQCP0
rs	Res.			rc_w1	rc_w1	rc_w1	rc_w1	rs					rc_w1	rc_w1	rc_w1	rc_w1

Bit 31 **LOW2**: Lowest priority flag for mailbox 2

This bit is set by hardware when more than one mailbox are pending for transmission and mailbox 2 has the lowest priority.

Bit 30 **LOW1**: Lowest priority flag for mailbox 1

This bit is set by hardware when more than one mailbox are pending for transmission and mailbox 1 has the lowest priority.

Bit 29 **LOW0**: Lowest priority flag for mailbox 0

This bit is set by hardware when more than one mailbox are pending for transmission and mailbox 0 has the lowest priority.

Note: The LOW[2:0] bits are set to zero when only one mailbox is pending.

Bit 28 **TME2**: Transmit mailbox 2 empty

This bit is set by hardware when no transmit request is pending for mailbox 2.

Bit 27 **TME1**: Transmit mailbox 1 empty

This bit is set by hardware when no transmit request is pending for mailbox 1.



- Bit 26 **TME0**: Transmit mailbox 0 empty
This bit is set by hardware when no transmit request is pending for mailbox 0.
- Bits 25:24 **CODE[1:0]**: Mailbox code
In case at least one transmit mailbox is free, the code value is equal to the number of the next transmit mailbox free.
In case all transmit mailboxes are pending, the code value is equal to the number of the transmit mailbox with the lowest priority.
- Bit 23 **ABRQ2**: Abort request for mailbox 2
Set by software to abort the transmission request for the corresponding mailbox.
Cleared by hardware when the mailbox becomes empty.
Setting this bit has no effect when the mailbox is not pending for transmission.
- Bits 22:20 Reserved, must be kept at reset value.
- Bit 19 **TERR2**: Transmission error of mailbox 2
This bit is set when the previous TX failed due to an error.
- Bit 18 **ALST2**: Arbitration lost for mailbox 2
This bit is set when the previous TX failed due to an arbitration lost.
- Bit 17 **TXOK2**: Transmission OK of mailbox 2
The hardware updates this bit after each transmission attempt.
0: The previous transmission failed
1: The previous transmission was successful
This bit is set by hardware when the transmission request on mailbox 2 has been completed successfully. Refer to [Figure 303](#).
- Bit 16 **RQCP2**: Request completed mailbox2
Set by hardware when the last request (transmit or abort) has been performed.
Cleared by software writing a "1" or by hardware on transmission request (TXRQ2 set in CAN_TMD2R register).
Clearing this bit clears all the status bits (TXOK2, ALST2 and TERR2) for Mailbox 2.
- Bit 15 **ABRQ1**: Abort request for mailbox 1
Set by software to abort the transmission request for the corresponding mailbox.
Cleared by hardware when the mailbox becomes empty.
Setting this bit has no effect when the mailbox is not pending for transmission.
- Bits 14:12 Reserved, must be kept at reset value.
- Bit 11 **TERR1**: Transmission error of mailbox1
This bit is set when the previous TX failed due to an error.
- Bit 10 **ALST1**: Arbitration lost for mailbox1
This bit is set when the previous TX failed due to an arbitration lost.
- Bit 9 **TXOK1**: Transmission OK of mailbox1
The hardware updates this bit after each transmission attempt.
0: The previous transmission failed
1: The previous transmission was successful
This bit is set by hardware when the transmission request on mailbox 1 has been completed successfully. Refer to [Figure 303](#)
- Bit 8 **RQCP1**: Request completed mailbox1
Set by hardware when the last request (transmit or abort) has been performed.
Cleared by software writing a "1" or by hardware on transmission request (TXRQ1 set in CAN_TI1R register).
Clearing this bit clears all the status bits (TXOK1, ALST1 and TERR1) for Mailbox 1.

- Bit 7 **ABRQ0**: Abort request for mailbox0
 Set by software to abort the transmission request for the corresponding mailbox.
 Cleared by hardware when the mailbox becomes empty.
 Setting this bit has no effect when the mailbox is not pending for transmission.
- Bits 6:4 Reserved, must be kept at reset value.
- Bit 3 **TERR0**: Transmission error of mailbox0
 This bit is set when the previous TX failed due to an error.
- Bit 2 **ALST0**: Arbitration lost for mailbox0
 This bit is set when the previous TX failed due to an arbitration lost.
- Bit 1 **TXOK0**: Transmission OK of mailbox0
 The hardware updates this bit after each transmission attempt.
 0: The previous transmission failed
 1: The previous transmission was successful
 This bit is set by hardware when the transmission request on mailbox 1 has been completed successfully. Refer to [Figure 303](#)
- Bit 0 **RQCP0**: Request completed mailbox0
 Set by hardware when the last request (transmit or abort) has been performed.
 Cleared by software writing a “1” or by hardware on transmission request (TXRQ0 set in CAN_TIOR register).
 Clearing this bit clears all the status bits (TXOK0, ALST0 and TERR0) for Mailbox 0.

CAN receive FIFO 0 register (CAN_RF0R)

Address offset: 0x0C
 Reset value: 0x0000 0000

31	30	29	28	27	26	25	24	23	22	21	20	19	18	17	16
Reserved															
15	14	13	12	11	10	9	8	7	6	5	4	3	2	1	0
Reserved										RFOM0	FOVR0	FULL0	Res.	FMP0[1:0]	
										rs	rc_w1	rc_w1		r	r

- Bits 31:6 Reserved, must be kept at reset value.
- Bit 5 **RFOM0**: Release FIFO 0 output mailbox
 Set by software to release the output mailbox of the FIFO. The output mailbox can only be released when at least one message is pending in the FIFO. Setting this bit when the FIFO is empty has no effect. If at least two messages are pending in the FIFO, the software has to release the output mailbox to access the next message.
 Cleared by hardware when the output mailbox has been released.
- Bit 4 **FOVR0**: FIFO 0 overrun
 This bit is set by hardware when a new message has been received and passed the filter while the FIFO was full.
 This bit is cleared by software.
- Bit 3 **FULL0**: FIFO 0 full
 Set by hardware when three messages are stored in the FIFO.
 This bit is cleared by software.
- Bit 2 Reserved, must be kept at reset value.

Bits 1:0 **FMP0[1:0]**: FIFO 0 message pending

These bits indicate how many messages are pending in the receive FIFO. FMP is increased each time the hardware stores a new message in to the FIFO. FMP is decreased each time the software releases the output mailbox by setting the RFOM0 bit.

CAN receive FIFO 1 register (CAN_RF1R)

Address offset: 0x10
Reset value: 0x0000 0000

31	30	29	28	27	26	25	24	23	22	21	20	19	18	17	16
Reserved															
15	14	13	12	11	10	9	8	7	6	5	4	3	2	1	0
Reserved										RFOM1	FOVR1	FULL1	Res.	FMP1[1:0]	
										rs	rc_w1	rc_w1		r	r

Bits 31:6 Reserved, must be kept at reset value.

Bit 5 **RFOM1**: Release FIFO 1 output mailbox

Set by software to release the output mailbox of the FIFO. The output mailbox can only be released when at least one message is pending in the FIFO. Setting this bit when the FIFO is empty has no effect. If at least two messages are pending in the FIFO, the software has to release the output mailbox to access the next message. Cleared by hardware when the output mailbox has been released.

Bit 4 **FOVR1**: FIFO 1 overrun

This bit is set by hardware when a new message has been received and passed the filter while the FIFO was full. This bit is cleared by software.

Bit 3 **FULL1**: FIFO 1 full

Set by hardware when three messages are stored in the FIFO. This bit is cleared by software.

Bit 2 Reserved, must be kept at reset value.

Bits 1:0 **FMP1[1:0]**: FIFO 1 message pending

These bits indicate how many messages are pending in the receive FIFO1. FMP1 is increased each time the hardware stores a new message in to the FIFO1. FMP1 is decreased each time the software releases the output mailbox by setting the RFOM1 bit.

CAN interrupt enable register (CAN_IER)

Address offset: 0x14
Reset value: 0x0000 0000

31	30	29	28	27	26	25	24	23	22	21	20	19	18	17	16	
Reserved														SLKIE	WKUIE	
														rw	rw	
15	14	13	12	11	10	9	8	7	6	5	4	3	2	1	0	
ERRIE	Reserved				LEC IE	BOF IE	EPV IE	EWG IE	Res.	FOV IE1	FF IE1	FMP IE1	FOV IE0	FF IE0	FMP IE0	TME IE
rw					rw	rw	rw	rw		rw	rw	rw	rw	rw	rw	rw



- Bits 31:18 Reserved, must be kept at reset value.
- Bit 17 **SLKIE**: Sleep interrupt enable
0: No interrupt when SLAKI bit is set.
1: Interrupt generated when SLAKI bit is set.
- Bit 16 **WKUIE**: Wake-up interrupt enable
0: No interrupt when WKUI is set.
1: Interrupt generated when WKUI bit is set.
- Bit 15 **ERRIE**: Error interrupt enable
0: No interrupt is generated when an error condition is pending in the CAN_ESR.
1: An interrupt is generation when an error condition is pending in the CAN_ESR.
- Bits 14:12 Reserved, must be kept at reset value.
- Bit 11 **LECEIE**: Last error code interrupt enable
0: ERRI bit is not set when the error code in LEC[2:0] is set by hardware on error detection.
1: ERRI bit is set when the error code in LEC[2:0] is set by hardware on error detection.
- Bit 10 **BOFIE**: Bus-off interrupt enable
0: ERRI bit is not set when BOFF is set.
1: ERRI bit is set when BOFF is set.
- Bit 9 **EPVIE**: Error passive interrupt enable
0: ERRI bit is not set when EPVF is set.
1: ERRI bit is set when EPVF is set.
- Bit 8 **EWGIE**: Error warning interrupt enable
0: ERRI bit is not set when EWGF is set.
1: ERRI bit is set when EWGF is set.
- Bit 7 Reserved, must be kept at reset value.
- Bit 6 **FOVIE1**: FIFO overrun interrupt enable
0: No interrupt when FOVR is set.
1: Interrupt generation when FOVR is set.
- Bit 5 **FFIE1**: FIFO full interrupt enable
0: No interrupt when FULL bit is set.
1: Interrupt generated when FULL bit is set.
- Bit 4 **FMPIE1**: FIFO message pending interrupt enable
0: No interrupt generated when state of FMP[1:0] bits are not 00b.
1: Interrupt generated when state of FMP[1:0] bits are not 00b.
- Bit 3 **FOVIE0**: FIFO overrun interrupt enable
0: No interrupt when FOVR bit is set.
1: Interrupt generated when FOVR bit is set.
- Bit 2 **FFIE0**: FIFO full interrupt enable
0: No interrupt when FULL bit is set.
1: Interrupt generated when FULL bit is set.
- Bit 1 **FMPIE0**: FIFO message pending interrupt enable
0: No interrupt generated when state of FMP[1:0] bits are not 00b.
1: Interrupt generated when state of FMP[1:0] bits are not 00b.

Bit 0 **TMEIE**: Transmit mailbox empty interrupt enable
 0: No interrupt when RQCPx bit is set.
 1: Interrupt generated when RQCPx bit is set.
Note: Refer to [Section 27.8: bxCAN interrupts](#).

CAN error status register (CAN_ESR)

Address offset: 0x18
 Reset value: 0x0000 0000

31	30	29	28	27	26	25	24	23	22	21	20	19	18	17	16
REC[7:0]								TEC[7:0]							
r	r	r	r	r	r	r	r	r	r	r	r	r	r	r	r
15	14	13	12	11	10	9	8	7	6	5	4	3	2	1	0
Reserved									LEC[2:0]			Res.	BOFF	EPVF	EWGF
									rw	rw	rw		r	r	r

Bits 31:24 **REC[7:0]**: Receive error counter

The implementing part of the fault confinement mechanism of the CAN protocol. In case of an error during reception, this counter is incremented by 1 or by 8 depending on the error condition as defined by the CAN standard. After every successful reception the counter is decremented by 1 or reset to 120 if its value was higher than 128. When the counter value exceeds 127, the CAN controller enters the error passive state.

Bits 23:16 **TEC[7:0]**: Least significant byte of the 9-bit transmit error counter

The implementing part of the fault confinement mechanism of the CAN protocol.

Bits 15:7 Reserved, must be kept at reset value.

Bits 6:4 **LEC[2:0]**: Last error code

This field is set by hardware and holds a code which indicates the error condition of the last error detected on the CAN bus. If a message has been transferred (reception or transmission) without error, this field is cleared to '0'.

The LEC[2:0] bits can be set to value 0b111 by software. They are updated by hardware to indicate the current communication status.

- 000: No Error
- 001: Stuff Error
- 010: Form Error
- 011: Acknowledgment Error
- 100: Bit recessive Error
- 101: Bit dominant Error
- 110: CRC Error
- 111: Set by software

Bit 3 Reserved, must be kept at reset value.

Bit 2 **BOFF**: Bus-off flag

This bit is set by hardware when it enters the bus-off state. The bus-off state is entered on TEC overflow, greater than 255, refer to [Section 27.7.6](#).

Bit 1 **EPVF**: Error passive flag

This bit is set by hardware when the Error Passive limit has been reached (Receive Error Counter or Transmit Error Counter > 127).

Bit 0 **EWGF**: Error warning flag

This bit is set by hardware when the warning limit has been reached (Receive Error Counter or Transmit Error Counter ≥ 96).

CAN bit timing register (CAN_BTR)

Address offset: 0x1C

Reset value: 0x0123 0000

This register can only be accessed by the software when the CAN hardware is in initialization mode.

31	30	29	28	27	26	25	24	23	22	21	20	19	18	17	16	
SILM	LBKM	Reserved				SJW[1:0]		Res.	TS2[2:0]			TS1[3:0]				
rw	rw					rw	rw		rw	rw	rw	rw	rw	rw	rw	rw
15	14	13	12	11	10	9	8	7	6	5	4	3	2	1	0	
Reserved						BRP[9:0]										
						rw	rw	rw	rw	rw	rw	rw	rw	rw	rw	rw

Bit 31 **SILM**: Silent mode (debug)

0: Normal operation
1: Silent Mode

Bit 30 **LBKM**: Loop back mode (debug)

0: Loop Back Mode disabled
1: Loop Back Mode enabled

Bits 29:26 Reserved, must be kept at reset value.

Bits 25:24 **SJW[1:0]**: Resynchronization jump width

These bits define the maximum number of time quanta the CAN hardware is allowed to lengthen or shorten a bit to perform the resynchronization.

$$t_{RJW} = t_q \times (SJW[1:0] + 1)$$

Bit 23 Reserved, must be kept at reset value.

Bits 22:20 **TS2[2:0]**: Time segment 2

These bits define the number of time quanta in Time Segment 2.

$$t_{BS2} = t_q \times (TS2[2:0] + 1)$$

Bits 19:16 **TS1[3:0]**: Time segment 1

These bits define the number of time quanta in Time Segment 1

$$t_{BS1} = t_q \times (TS1[3:0] + 1)$$

For more information on bit timing refer to [Section 27.7.7](#).

Bits 15:10 Reserved, must be kept at reset value.

Bits 9:0 **BRP[9:0]**: Baud rate prescaler

These bits define the length of a time quanta.

$$t_q = (BRP[9:0]+1) \times t_{PCLK}$$

27.9.3 CAN mailbox registers

This chapter describes the registers of the transmit and receive mailboxes. Refer to [Section 27.7.5: Message storage](#) for detailed register mapping.

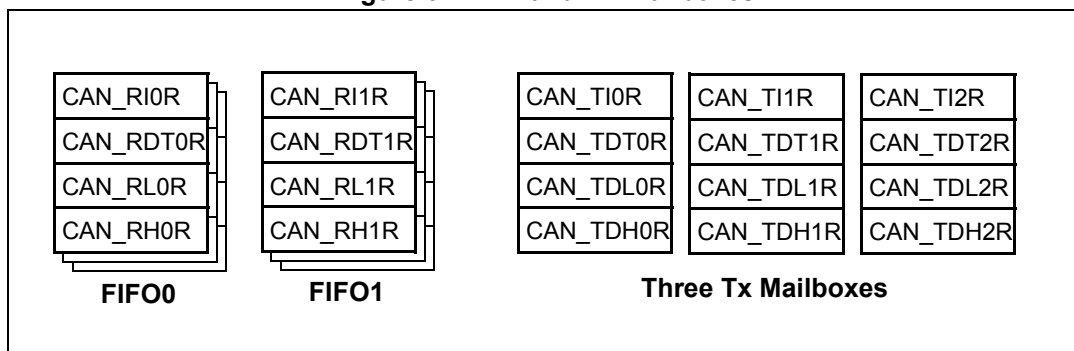


Transmit and receive mailboxes have the same registers except:

- The FMI field in the CAN_RDTxR register.
- A receive mailbox is always write protected.
- A transmit mailbox is write-enabled only while empty, corresponding TME bit in the CAN_TSR register set.

There are three TX Mailboxes and two RX Mailboxes , as shown in *Figure 312*. Each RX Mailbox allows access to a 3-level depth FIFO, the access being offered only to the oldest received message in the FIFO. Each mailbox consist of four registers.

Figure 312. RX and TX mailboxes



CAN TX mailbox identifier register (CAN_TIxR) (x=0..2)

Address offsets: 0x180, 0x190, 0x1A0

Reset value: 0xXXXX XXXX (except bit 0, TXRQ = 0)

All TX registers are write protected when the mailbox is pending transmission (TMEx reset).

This register also implements the TX request control (bit 0) - reset value 0.

31	30	29	28	27	26	25	24	23	22	21	20	19	18	17	16
STID[10:0]/EXID[28:18]											EXID[17:13]				
r/w	r/w	r/w	r/w	r/w	r/w	r/w	r/w	r/w	r/w	r/w	r/w	r/w	r/w	r/w	r/w
15	14	13	12	11	10	9	8	7	6	5	4	3	2	1	0
EXID[12:0]													IDE	RTR	TXRQ
r/w	r/w	r/w	r/w	r/w	r/w	r/w	r/w	r/w	r/w	r/w	r/w	r/w	r/w	r/w	r/w

Bits 31:21 **STID[10:0]/EXID[28:18]**: Standard identifier or extended identifier
 The standard identifier or the MSBs of the extended identifier (depending on the IDE bit value).

Bits 20:3 **EXID[17:0]**: Extended identifier
 The LSBs of the extended identifier.

Bit 2 **IDE**: Identifier extension
 This bit defines the identifier type of message in the mailbox.
 0: Standard identifier.
 1: Extended identifier.

Bit 1 **RTR**: Remote transmission request
 0: Data frame
 1: Remote frame

Bit 0 **TXRQ**: Transmit mailbox request

Set by software to request the transmission for the corresponding mailbox.
Cleared by hardware when the mailbox becomes empty.

CAN mailbox data length control and time stamp register (CAN_TDTxR) (x=0..2)

All bits of this register are write protected when the mailbox is not in empty state.

Address offsets: 0x184, 0x194, 0x1A4

Reset value: 0xXXXX XXXX

31	30	29	28	27	26	25	24	23	22	21	20	19	18	17	16	
TIME[15:0]																
rw	rw	rw	rw	rw	rw	rw	rw	rw	rw	rw	rw	rw	rw	rw	rw	
15	14	13	12	11	10	9	8	7	6	5	4	3	2	1	0	
Reserved								TGT	Reserved				DLC[3:0]			
								rw					rw	rw	rw	rw

Bits 31:16 **TIME[15:0]**: Message time stamp

This field contains the 16-bit timer value captured at the SOF transmission.

Bits 15:9 Reserved, must be kept at reset value.

Bit 8 **TGT**: Transmit global time

This bit is active only when the hardware is in the Time Trigger Communication mode, TTCM bit of the CAN_MCR register is set.

0: Time stamp TIME[15:0] is not sent.

1: Time stamp TIME[15:0] value is sent in the last two data bytes of the 8-byte message: TIME[7:0] in data byte 7 and TIME[15:8] in data byte 6, replacing the data written in CAN_TDHxR[31:16] register (DATA6[7:0] and DATA7[7:0]). DLC must be programmed as 8 in order these two bytes to be sent over the CAN bus.

Bits 7:4 Reserved, must be kept at reset value.

Bits 3:0 **DLC[3:0]**: Data length code

This field defines the number of data bytes a data frame contains or a remote frame request. A message can contain from 0 to 8 data bytes, depending on the value in the DLC field.

CAN mailbox data low register (CAN_TDLxR) (x=0..2)

All bits of this register are write protected when the mailbox is not in empty state.

Address offsets: 0x188, 0x198, 0x1A8

Reset value: 0xXXXX XXXX

31	30	29	28	27	26	25	24	23	22	21	20	19	18	17	16
DATA3[7:0]								DATA2[7:0]							
rw	rw	rw	rw	rw	rw	rw	rw	rw	rw	rw	rw	rw	rw	rw	rw
15	14	13	12	11	10	9	8	7	6	5	4	3	2	1	0
DATA1[7:0]								DATA0[7:0]							
rw	rw	rw	rw	rw	rw	rw	rw	rw	rw	rw	rw	rw	rw	rw	rw



- Bits 31:24 **DATA3[7:0]**: Data byte 3
Data byte 3 of the message.
- Bits 23:16 **DATA2[7:0]**: Data byte 2
Data byte 2 of the message.
- Bits 15:8 **DATA1[7:0]**: Data byte 1
Data byte 1 of the message.
- Bits 7:0 **DATA0[7:0]**: Data byte 0
Data byte 0 of the message.
A message can contain from 0 to 8 data bytes and starts with byte 0.

CAN mailbox data high register (CAN_TDHxR) (x=0..2)

All bits of this register are write protected when the mailbox is not in empty state.

Address offsets: 0x18C, 0x19C, 0x1AC

Reset value: 0xFFFF XXXX

31	30	29	28	27	26	25	24	23	22	21	20	19	18	17	16
DATA7[7:0]								DATA6[7:0]							
r/w	r/w	r/w	r/w	r/w	r/w	r/w	r/w	r/w	r/w	r/w	r/w	r/w	r/w	r/w	r/w
15	14	13	12	11	10	9	8	7	6	5	4	3	2	1	0
DATA5[7:0]								DATA4[7:0]							
r/w	r/w	r/w	r/w	r/w	r/w	r/w	r/w	r/w	r/w	r/w	r/w	r/w	r/w	r/w	r/w

- Bits 31:24 **DATA7[7:0]**: Data byte 7
Data byte 7 of the message.
Note: If TGT of this message and TTCM are active, DATA7 and DATA6 are replaced by the TIME stamp value.
- Bits 23:16 **DATA6[7:0]**: Data byte 6
Data byte 6 of the message.
- Bits 15:8 **DATA5[7:0]**: Data byte 5
Data byte 5 of the message.
- Bits 7:0 **DATA4[7:0]**: Data byte 4
Data byte 4 of the message.

CAN receive FIFO mailbox identifier register (CAN_RlRxR) (x=0..1)

Address offsets: 0x1B0, 0x1C0

Reset value: 0xFFFF XXXX

All RX registers are write protected.

31	30	29	28	27	26	25	24	23	22	21	20	19	18	17	16
STID[10:0]/EXID[28:18]											EXID[17:13]				
r	r	r	r	r	r	r	r	r	r	r	r	r	r	r	r
15	14	13	12	11	10	9	8	7	6	5	4	3	2	1	0
EXID[12:0]												IDE	RTR	Res.	
r	r	r	r	r	r	r	r	r	r	r	r	r	r		r

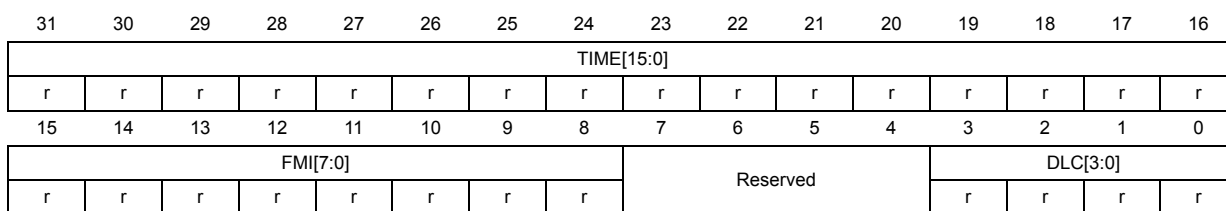


- Bits 31:21 **STID[10:0]/EXID[28:18]**: Standard identifier or extended identifier
The standard identifier or the MSBs of the extended identifier (depending on the IDE bit value).
- Bits 20:3 **EXID[17:0]**: Extended identifier
The LSBs of the extended identifier.
- Bit 2 **IDE**: Identifier extension
This bit defines the identifier type of message in the mailbox.
0: Standard identifier.
1: Extended identifier.
- Bit 1 **RTR**: Remote transmission request
0: Data frame
1: Remote frame
- Bit 0 Reserved, must be kept at reset value.

CAN receive FIFO mailbox data length control and time stamp register (CAN_RDTxR) (x=0..1)

Address offsets: 0x1B4, 0x1C4
Reset value: 0xFFFF XXXX

All RX registers are write protected.



- Bits 31:16 **TIME[15:0]**: Message time stamp
This field contains the 16-bit timer value captured at the SOF detection.
- Bits 15:8 **FMI[7:0]**: Filter match index
This register contains the index of the filter the message stored in the mailbox passed through. For more details on identifier filtering refer to [Section 27.7.4](#)
- Bits 7:4 Reserved, must be kept at reset value.
- Bits 3:0 **DLC[3:0]**: Data length code
This field defines the number of data bytes a data frame contains (0 to 8). It is 0 in the case of a remote frame request.

CAN receive FIFO mailbox data low register (CAN_RDLxR) (x=0..1)

All bits of this register are write protected when the mailbox is not in empty state.

Address offsets: 0x1B8, 0x1C8
Reset value: 0xFFFF XXXX

All RX registers are write protected.

31	30	29	28	27	26	25	24	23	22	21	20	19	18	17	16
DATA3[7:0]								DATA2[7:0]							
r	r	r	r	r	r	r	r	r	r	r	r	r	r	r	r
15	14	13	12	11	10	9	8	7	6	5	4	3	2	1	0
DATA1[7:0]								DATA0[7:0]							
r	r	r	r	r	r	r	r	r	r	r	r	r	r	r	r

- Bits 31:24 **DATA3[7:0]**: Data Byte 3
Data byte 3 of the message.
- Bits 23:16 **DATA2[7:0]**: Data Byte 2
Data byte 2 of the message.
- Bits 15:8 **DATA1[7:0]**: Data Byte 1
Data byte 1 of the message.
- Bits 7:0 **DATA0[7:0]**: Data Byte 0
Data byte 0 of the message.
A message can contain from 0 to 8 data bytes and starts with byte 0.

CAN receive FIFO mailbox data high register (CAN_RDHxR) (x=0..1)

Address offsets: 0x1BC, 0x1CC
Reset value: 0xFFFF XXXX

All RX registers are write protected.

31	30	29	28	27	26	25	24	23	22	21	20	19	18	17	16
DATA7[7:0]								DATA6[7:0]							
r	r	r	r	r	r	r	r	r	r	r	r	r	r	r	r
15	14	13	12	11	10	9	8	7	6	5	4	3	2	1	0
DATA5[7:0]								DATA4[7:0]							
r	r	r	r	r	r	r	r	r	r	r	r	r	r	r	r

- Bits 31:24 **DATA7[7:0]**: Data Byte 7
Data byte 3 of the message.
- Bits 23:16 **DATA6[7:0]**: Data Byte 6
Data byte 2 of the message.
- Bits 15:8 **DATA5[7:0]**: Data Byte 5
Data byte 1 of the message.
- Bits 7:0 **DATA4[7:0]**: Data Byte 4
Data byte 0 of the message.

27.9.4 CAN filter registers

CAN filter master register (CAN_FMR)

Address offset: 0x200
Reset value: 0x2A1C 0E01



All bits of this register are set and cleared by software.

31	30	29	28	27	26	25	24	23	22	21	20	19	18	17	16
Reserved															
15	14	13	12	11	10	9	8	7	6	5	4	3	2	1	0
Reserved		CAN2SB[5:0]						Reserved							FINIT
		rw	rw	rw	rw	rw	rw								rw

Bits 31:14 Reserved, must be kept at reset value.

Bits 13:8 **CAN2SB[5:0]**: CAN2 start bank

These bits are set and cleared by software. They define the start bank for the CAN2 interface (Slave) in the range 0 to 27.

Note: When CAN2SB[5:0] = 28d, all the filters to CAN1 can be used.

When CAN2SB[5:0] is set to 0, no filters are assigned to CAN1.

Bits 7:1 Reserved, must be kept at reset value.

Bit 0 **FINIT**: Filter init mode

Initialization mode for filter banks

0: Active filters mode.

1: Initialization mode for the filters.

CAN filter mode register (CAN_FM1R)

Address offset: 0x204

Reset value: 0x0000 0000

This register can be written only when the filter initialization mode is set (FINIT=1) in the CAN_FMR register.

31	30	29	28	27	26	25	24	23	22	21	20	19	18	17	16
Reserved				FBM27	FBM26	FBM25	FBM24	FBM23	FBM22	FBM21	FBM20	FBM19	FBM18	FBM17	FBM16
				rw	rw	rw	rw	rw	rw	rw	rw	rw	rw	rw	rw
15	14	13	12	11	10	9	8	7	6	5	4	3	2	1	0
FBM15	FBM14	FBM13	FBM12	FBM11	FBM10	FBM9	FBM8	FBM7	FBM6	FBM5	FBM4	FBM3	FBM2	FBM1	FBM0
rw	rw	rw	rw	rw	rw	rw	rw	rw	rw	rw	rw	rw	rw	rw	rw

Note: Refer to Figure 305.

Bits 31:28 Reserved, must be kept at reset value.

Bits 27:0 **FBMx**: Filter mode

Mode of the registers of Filter x.

0: Two 32-bit registers of filter bank x are in Identifier Mask mode.

1: Two 32-bit registers of filter bank x are in Identifier List mode.

CAN filter scale register (CAN_FS1R)

Address offset: 0x20C

Reset value: 0x0000 0000

This register can be written only when the filter initialization mode is set (FINIT=1) in the CAN_FMR register.

31	30	29	28	27	26	25	24	23	22	21	20	19	18	17	16
Reserved				FSC27	FSC26	FSC25	FSC24	FSC23	FSC22	FSC21	FSC20	FSC19	FSC18	FSC17	FSC16
				rW	rW	rW	rW	rW	rW	rW	rW	rW	rW	rW	rW
15	14	13	12	11	10	9	8	7	6	5	4	3	2	1	0
FSC15	FSC14	FSC13	FSC12	FSC11	FSC10	FSC9	FSC8	FSC7	FSC6	FSC5	FSC4	FSC3	FSC2	FSC1	FSC0
rW	rW	rW	rW	rW	rW	rW	rW	rW	rW	rW	rW	rW	rW	rW	rW

Bits 31:28 Reserved, must be kept at reset value.

Bits 27:0 **FSCx**: Filter scale configuration

These bits define the scale configuration of Filters 13-0.

0: Dual 16-bit scale configuration

1: Single 32-bit scale configuration

Note: Refer to [Figure 305](#).

CAN filter FIFO assignment register (CAN_FFA1R)

Address offset: 0x214

Reset value: 0x0000 0000

This register can be written only when the filter initialization mode is set (FINIT=1) in the CAN_FMR register.

31	30	29	28	27	26	25	24	23	22	21	20	19	18	17	16
Reserved				FFA27	FFA26	FFA25	FFA24	FFA23	FFA22	FFA21	FFA20	FFA19	FFA18	FFA17	FFA16
				rW	rW	rW	rW	rW	rW	rW	rW	rW	rW	rW	rW
15	14	13	12	11	10	9	8	7	6	5	4	3	2	1	0
FFA15	FFA14	FFA13	FFA12	FFA11	FFA10	FFA9	FFA8	FFA7	FFA6	FFA5	FFA4	FFA3	FFA2	FFA1	FFA0
rW	rW	rW	rW	rW	rW	rW	rW	rW	rW	rW	rW	rW	rW	rW	rW

Bits 31:28 Reserved, must be kept at reset value.

Bits 27:0 **FFAx**: Filter FIFO assignment for filter x

The message passing through this filter is stored in the specified FIFO.

0: Filter assigned to FIFO 0

1: Filter assigned to FIFO 1

CAN filter activation register (CAN_FA1R)

Address offset: 0x21C

Reset value: 0x0000 0000

31	30	29	28	27	26	25	24	23	22	21	20	19	18	17	16
Reserved				FACT27	FACT26	FACT25	FACT24	FACT23	FACT22	FACT21	FACT20	FACT19	FACT18	FACT17	FACT16
				r/w	r/w	r/w	r/w	r/w	r/w	r/w	r/w	r/w	r/w	r/w	r/w
15	14	13	12	11	10	9	8	7	6	5	4	3	2	1	0
FACT15	FACT14	FACT13	FACT12	FACT11	FACT10	FACT9	FACT8	FACT7	FACT6	FACT5	FACT4	FACT3	FACT2	FACT1	FACT0
r/w	r/w	r/w	r/w	r/w	r/w	r/w	r/w	r/w	r/w	r/w	r/w	r/w	r/w	r/w	r/w

Bits 31:28 Reserved, must be kept at reset value.

Bits 27:0 **FACTx**: Filter active

The software sets this bit to activate Filter x. To modify the Filter x registers (CAN_FxR[0:7]), the FACTx bit must be cleared or the FINIT bit of the CAN_FMR register must be set.

0: Filter x is not active

1: Filter x is active

Filter bank i register x (CAN_FiRx) (i=0..27, x=1, 2)

Address offsets: 0x240..0x31C

Reset value: 0xFFFF XXXX

There are 28 filter banks, i=0 .. 27. Each filter bank i is composed of two 32-bit registers, CAN_FiR[2:1].

This register can only be modified when the FACTx bit of the CAN_FAxR register is cleared or when the FINIT bit of the CAN_FMR register is set.

31	30	29	28	27	26	25	24	23	22	21	20	19	18	17	16
FB31	FB30	FB29	FB28	FB27	FB26	FB25	FB24	FB23	FB22	FB21	FB20	FB19	FB18	FB17	FB16
r/w	r/w	r/w	r/w	r/w	r/w	r/w	r/w	r/w	r/w	r/w	r/w	r/w	r/w	r/w	r/w
15	14	13	12	11	10	9	8	7	6	5	4	3	2	1	0
FB15	FB14	FB13	FB12	FB11	FB10	FB9	FB8	FB7	FB6	FB5	FB4	FB3	FB2	FB1	FB0
r/w	r/w	r/w	r/w	r/w	r/w	r/w	r/w	r/w	r/w	r/w	r/w	r/w	r/w	r/w	r/w

In all configurations:

Bits 31:0 **FB[31:0]**: Filter bits

Identifier

Each bit of the register specifies the level of the corresponding bit of the expected identifier.

0: Dominant bit is expected

1: Recessive bit is expected

Mask

Each bit of the register specifies whether the bit of the associated identifier register must match with the corresponding bit of the expected identifier or not.

0: Don't care, the bit is not used for the comparison

1: Must match, the bit of the incoming identifier must have the same level has specified in the corresponding identifier register of the filter.

Note: Depending on the scale and mode configuration of the filter the function of each register can differ. For the filter mapping, functions description and mask registers association, refer to [Section 27.7.4](#).



A Mask/Identifier register in **mask mode** has the same bit mapping as in **identifier list mode**.

For the register mapping/addresses of the filter banks refer to [Table 137](#).

27.9.5 bxCAN register map

Refer to [Section 2.3: Memory map](#) for the register boundary addresses. The registers from offset 0x200 to 31C are present only in CAN1.

Table 137. bxCAN register map and reset values

Offset	Register	31	30	29	28	27	26	25	24	23	22	21	20	19	18	17	16	15	14	13	12	11	10	9	8	7	6	5	4	3	2	1	0					
0x000	CAN_MCR	Reserved														DBF	RESET	Reserved										TTCM	ABOM	AWUM	NART	RFLM	TXFP	SLEEP	INRQ			
	Reset value															1	0											0	0	0	0	0	0	0	1	0		
0x004	CAN_MSR	Reserved																		RX	SAMP	RXM	TXM	Res.										SLAKI	WKUI	ERRI	SLAK	INAK
	Reset value																			1	1	0	0											0	0	0	0	1
0x008	CAN_TSR	LOW[2:0]		TME[2:0]			CODE[1:0]		ABRQ2		Res.				TERR2	ALST2	TXOK2	RQCP2	ABRQ1	Res.				TERR1	ALST1	TXOK1	RQCP1	ABRQ0	Res..				TERR0	ALST0	TXOK0	RQCP0		
	Reset value	0	0	0	1	1	1	0	0	0					0	0	0	0	0					0	0	0	0	0					0	0	0	0		
0x00C	CAN_RF0R	Reserved																										RFOV0	FOVR0	FULL0	Reserved		FMP0[1:0]					
	Reset value																											0	0	0			0		0			
0x010	CAN_RF1R	Reserved																										RFOV1	FOVR1	FULL1	Reserved		FMP1[1:0]					
	Reset value																											0	0	0			0		0			
0x014	CAN_IER	Reserved														SLKIE	WKUIE	ERRIE	Res.				LECIE	BOFIE	EPVIE	EWGIE	Reserved		FOVIE1	FFIE1	FMPIE1	FOVIE0	FFIE0	FMPIE0	TMEIE			
	Reset value															0	0	0					0	0	0	0			0	0	0	0	0	0	0	0		
0x018	CAN_ESR	REC[7:0]						TEC[7:0]						Reserved										LEC[2:0]		Reserved		BOFF	EPVF	EWGF								
	Reset value	0	0	0	0	0	0	0	0	0	0	0	0	0	0	0	0	0	0											0	0	0			0	0	0	
0x01C	CAN_BTR	SILM	LBKM	Reserved				SJW[1:0]		Reserved		TS2[2:0]		TS1[3:0]		Reserved						BRP[9:0]																
	Reset value	0	0					0	0			0	1	0	0	0	1	1							0	0	0	0	0	0	0	0	0	0	0			
0x020-0x17F	Reserved																																					
0x180	CAN_TI0R	STID[10:0]/EXID[28:18]														EXID[17:0]														IDE		RTR	TXRQ					
	Reset value	x	x	x	x	x	x	x	x	x	x	x	x	x	x	x	x	x	x	x	x	x	x	x	x	x	x	x	x	x	x	x	0					
0x184	CAN_TDT0R	TIME[15:0]														Reserved						TGT	Reserved						DLC[3:0]									
	Reset value	x	x	x	x	x	x	x	x	x	x	x	x	x	x	x	x	x	x	x	x	x	x	x	x	x	x	x	x	x	x	x	x					
0x188	CAN_TDL0R	DATA3[7:0]						DATA2[7:0]						DATA1[7:0]						DATA0[7:0]																		
	Reset value	x	x	x	x	x	x	x	x	x	x	x	x	x	x	x	x	x	x	x	x	x	x	x	x	x	x	x	x	x	x	x	x					

Table 137. bxCAN register map and reset values (continued)

Offset	Register	31	30	29	28	27	26	25	24	23	22	21	20	19	18	17	16	15	14	13	12	11	10	9	8	7	6	5	4	3	2	1	0
0x18C	CAN_TDH0R	DATA7[7:0]							DATA6[7:0]							DATA5[7:0]							DATA4[7:0]										
	Reset value	x	x	x	x	x	x	x	x	x	x	x	x	x	x	x	x	x	x	x	x	x	x	x	x	x	x	x	x	x	x	x	x
0x190	CAN_TI1R	STID[10:0]/EXID[28:18]											EXID[17:0]															IDE	RTR	TXRQ			
	Reset value	x	x	x	x	x	x	x	x	x	x	x	x	x	x	x	x	x	x	x	x	x	x	x	x	x	x	x	x	x	x	x	x
0x194	CAN_TDT1R	TIME[15:0]															Reserved					TGT	Reserved					DLC[3:0]					
	Reset value	x	x	x	x	x	x	x	x	x	x	x	x	x	x	x	x	x	x	x	x	x	x	x	x	x	x	x	x	x	x	x	x
0x198	CAN_TDL1R	DATA3[7:0]							DATA2[7:0]							DATA1[7:0]							DATA0[7:0]										
	Reset value	x	x	x	x	x	x	x	x	x	x	x	x	x	x	x	x	x	x	x	x	x	x	x	x	x	x	x	x	x	x	x	x
0x19C	CAN_TDH1R	DATA7[7:0]							DATA6[7:0]							DATA5[7:0]							DATA4[7:0]										
	Reset value	x	x	x	x	x	x	x	x	x	x	x	x	x	x	x	x	x	x	x	x	x	x	x	x	x	x	x	x	x	x	x	x
0x1A0	CAN_TI2R	STID[10:0]/EXID[28:18]											EXID[17:0]															IDE	RTR	TXRQ			
	Reset value	x	x	x	x	x	x	x	x	x	x	x	x	x	x	x	x	x	x	x	x	x	x	x	x	x	x	x	x	x	x	x	x
0x1A4	CAN_TDT2R	TIME[15:0]															Reserved					TGT	Reserved					DLC[3:0]					
	Reset value	x	x	x	x	x	x	x	x	x	x	x	x	x	x	x	x	x	x	x	x	x	x	x	x	x	x	x	x	x	x	x	x
0x1A8	CAN_TDL2R	DATA3[7:0]							DATA2[7:0]							DATA1[7:0]							DATA0[7:0]										
	Reset value	x	x	x	x	x	x	x	x	x	x	x	x	x	x	x	x	x	x	x	x	x	x	x	x	x	x	x	x	x	x	x	x
0x1AC	CAN_TDH2R	DATA7[7:0]							DATA6[7:0]							DATA5[7:0]							DATA4[7:0]										
	Reset value	x	x	x	x	x	x	x	x	x	x	x	x	x	x	x	x	x	x	x	x	x	x	x	x	x	x	x	x	x	x	x	x
0x1B0	CAN_RI0R	STID[10:0]/EXID[28:18]											EXID[17:0]															IDE	RTR	Reserved			
	Reset value	x	x	x	x	x	x	x	x	x	x	x	x	x	x	x	x	x	x	x	x	x	x	x	x	x	x	x	x	x	x	x	x
0x1B4	CAN_RDT0R	TIME[15:0]															FMI[7:0]							Reserved					DLC[3:0]				
	Reset value	x	x	x	x	x	x	x	x	x	x	x	x	x	x	x	x	x	x	x	x	x	x	x	x	x	x	x	x	x	x	x	x
0x1B8	CAN_RDL0R	DATA3[7:0]							DATA2[7:0]							DATA1[7:0]							DATA0[7:0]										
	Reset value	x	x	x	x	x	x	x	x	x	x	x	x	x	x	x	x	x	x	x	x	x	x	x	x	x	x	x	x	x	x	x	x
0x1BC	CAN_RDH0R	DATA7[7:0]							DATA6[7:0]							DATA5[7:0]							DATA4[7:0]										
	Reset value	x	x	x	x	x	x	x	x	x	x	x	x	x	x	x	x	x	x	x	x	x	x	x	x	x	x	x	x	x	x	x	x
0x1C0	CAN_RI1R	STID[10:0]/EXID[28:18]											EXID[17:0]															IDE	RTR	Reserved			
	Reset value	x	x	x	x	x	x	x	x	x	x	x	x	x	x	x	x	x	x	x	x	x	x	x	x	x	x	x	x	x	x	x	x

Table 137. bxCAN register map and reset values (continued)

Offset	Register	31	30	29	28	27	26	25	24	23	22	21	20	19	18	17	16	15	14	13	12	11	10	9	8	7	6	5	4	3	2	1	0			
0x1C4	CAN_RDT1R	TIME[15:0]															FMI[7:0]							Reserved			DLC[3:0]									
	Reset value	x	x	x	x	x	x	x	x	x	x	x	x	x	x	x	x	x	x	x	x	x	x	x	x								x	x	x	x
0x1C8	CAN_RDL1R	DATA3[7:0]							DATA2[7:0]							DATA1[7:0]							DATA0[7:0]													
	Reset value	x	x	x	x	x	x	x	x	x	x	x	x	x	x	x	x	x	x	x	x	x	x	x	x	x	x	x	x	x	x	x	x	x	x	x
0x1CC	CAN_RDH1R	DATA7[7:0]							DATA6[7:0]							DATA5[7:0]							DATA4[7:0]													
	Reset value	x	x	x	x	x	x	x	x	x	x	x	x	x	x	x	x	x	x	x	x	x	x	x	x	x	x	x	x	x	x	x	x	x	x	x
0x1D0-0x1FF	Reserved																																			
0x200	CAN_FMR	Reserved															CAN2SB[5:0]					Reserved							FINIT							
	Reset value																0	0	1	1	1	0								1						
0x204	CAN_FM1R	Reserved			FBM[27:0]																															
	Reset value				0	0	0	0	0	0	0	0	0	0	0	0	0	0	0	0	0	0	0	0	0	0	0	0	0	0	0	0	0	0	0	0
0x208	Reserved																																			
0x20C	CAN_FS1R	Reserved			FSC[27:0]																															
	Reset value				0	0	0	0	0	0	0	0	0	0	0	0	0	0	0	0	0	0	0	0	0	0	0	0	0	0	0	0	0	0	0	0
0x210	Reserved																																			
0x214	CAN_FFA1R	Reserved			FFA[27:0]																															
	Reset value				0	0	0	0	0	0	0	0	0	0	0	0	0	0	0	0	0	0	0	0	0	0	0	0	0	0	0	0	0	0	0	0
0x218	Reserved																																			
0x21C	CAN_FA1R	Reserved			FACT[27:0]																															
	Reset value				0	0	0	0	0	0	0	0	0	0	0	0	0	0	0	0	0	0	0	0	0	0	0	0	0	0	0	0	0	0	0	0
0x220	Reserved																																			
0x224-0x23F	Reserved																																			
0x240	CAN_F0R1	FB[31:0]																																		
	Reset value	x	x	x	x	x	x	x	x	x	x	x	x	x	x	x	x	x	x	x	x	x	x	x	x	x	x	x	x	x	x	x	x	x	x	x
0x244	CAN_F0R2	FB[31:0]																																		
	Reset value	x	x	x	x	x	x	x	x	x	x	x	x	x	x	x	x	x	x	x	x	x	x	x	x	x	x	x	x	x	x	x	x	x	x	x
0x248	CAN_F1R1	FB[31:0]																																		
	Reset value	x	x	x	x	x	x	x	x	x	x	x	x	x	x	x	x	x	x	x	x	x	x	x	x	x	x	x	x	x	x	x	x	x	x	x

Table 137. bxCAN register map and reset values (continued)

Offset	Register	31	30	29	28	27	26	25	24	23	22	21	20	19	18	17	16	15	14	13	12	11	10	9	8	7	6	5	4	3	2	1	0
0x24C	CAN_F1R2	FB[31:0]																															
	Reset value	x	x	x	x	x	x	x	x	x	x	x	x	x	x	x	x	x	x	x	x	x	x	x	x	x	x	x	x	x	x	x	x
·	·	·																															
·	·	·																															
·	·	·																															
0x318	CAN_F27R1	FB[31:0]																															
	Reset value	x	x	x	x	x	x	x	x	x	x	x	x	x	x	x	x	x	x	x	x	x	x	x	x	x	x	x	x	x	x	x	x
0x31C	CAN_F27R2	FB[31:0]																															
	Reset value	x	x	x	x	x	x	x	x	x	x	x	x	x	x	x	x	x	x	x	x	x	x	x	x	x	x	x	x	x	x	x	x

28 Ethernet (ETH): media access control (MAC) with DMA controller

This section applies to the whole STM32F20x and STM32F21x family, unless otherwise specified.

28.1 Ethernet introduction

Portions Copyright (c) 2004, 2005 Synopsys, Inc. All rights reserved. Used with permission.

The Ethernet peripheral enables the STM32F20x and STM32F21x to transmit and receive data over Ethernet in compliance with the IEEE 802.3-2002 standard.

The Ethernet provides a configurable, flexible peripheral to meet the needs of various applications and customers. It supports two industry standard interfaces to the external physical layer (PHY): the default media independent interface (MII) defined in the IEEE 802.3 specifications and the reduced media independent interface (RMII). It can be used in number of applications such as switches, network interface cards, etc.

The Ethernet is compliant with the following standards:

- IEEE 802.3-2002 for Ethernet MAC
- IEEE 1588-2008 standard for precision networked clock synchronization
- AMBA 2.0 for AHB Master/Slave ports
- RMII specification from RMII consortium

28.2 Ethernet main features

The Ethernet (ETH) peripheral includes the following features, listed by category:

28.2.1 MAC core features

- Supports 10/100 Mbit/s data transfer rates with external PHY interfaces
- IEEE 802.3-compliant MII interface to communicate with an external Fast Ethernet PHY
- Supports both full-duplex and half-duplex operations
 - Supports CSMA/CD Protocol for half-duplex operation
 - Supports IEEE 802.3x flow control for full-duplex operation
 - Optional forwarding of received pause control frames to the user application in full-duplex operation
 - Back-pressure support for half-duplex operation
 - Automatic transmission of zero-quanta pause frame on deassertion of flow control input in full-duplex operation
- Preamble and start-of-frame data (SFD) insertion in Transmit, and deletion in Receive paths
- Automatic CRC and pad generation controllable on a per-frame basis
- Options for automatic pad/CRC stripping on receive frames
- Programmable frame length to support Standard frames with sizes up to 16 KB
- Programmable interframe gap (40-96 bit times in steps of 8)
- Supports a variety of flexible address filtering modes:
 - Up to four 48-bit perfect (DA) address filters with masks for each byte
 - Up to three 48-bit SA address comparison check with masks for each byte
 - 64-bit Hash filter (optional) for multicast and unicast (DA) addresses
 - Option to pass all multicast addressed frames
 - Promiscuous mode support to pass all frames without any filtering for network monitoring
 - Passes all incoming packets (as per filter) with a status report
- Separate 32-bit status returned for transmission and reception packets
- Supports IEEE 802.1Q VLAN tag detection for reception frames
- Separate transmission, reception, and control interfaces to the Application
- Supports mandatory network statistics with RMON/MIB counters (RFC2819/RFC2665)
- MDIO interface for PHY device configuration and management
- Detection of LAN wake-up frames and AMD Magic Packet™ frames
- Receive feature for checksum off-load for received IPv4 and TCP packets encapsulated by the Ethernet frame
- Enhanced receive feature for checking IPv4 header checksum and TCP, UDP, or ICMP checksum encapsulated in IPv4 or IPv6 datagrams
- Support Ethernet frame time stamping as described in IEEE 1588-2008. Sixty-four-bit time stamps are given in each frame's transmit or receive status
- Two sets of FIFOs: a 2-KB Transmit FIFO with programmable threshold capability, and a 2-KB Receive FIFO with a configurable threshold (default of 64 bytes)
- Receive Status vectors inserted into the Receive FIFO after the EOF transfer enables multiple-frame storage in the Receive FIFO without requiring another FIFO to store those frames' Receive Status
- Option to filter all error frames on reception and not forward them to the application in

Store-and-Forward mode

- Option to forward under-sized good frames
- Supports statistics by generating pulses for frames dropped or corrupted (due to overflow) in the Receive FIFO
- Supports Store and Forward mechanism for transmission to the MAC core
- Automatic generation of PAUSE frame control or back pressure signal to the MAC core based on Receive FIFO-fill (threshold configurable) level
- Handles automatic retransmission of Collision frames for transmission
- Discards frames on late collision, excessive collisions, excessive deferral and underrun conditions
- Software control to flush Tx FIFO
- Calculates and inserts IPv4 header checksum and TCP, UDP, or ICMP checksum in frames transmitted in Store-and-Forward mode
- Supports internal loopback on the MII for debugging

28.2.2 DMA features

- Supports all AHB burst types in the AHB Slave Interface
- Software can select the type of AHB burst (fixed or indefinite burst) in the AHB Master interface.
- Option to select address-aligned bursts from AHB master port
- Optimization for packet-oriented DMA transfers with frame delimiters
- Byte-aligned addressing for data buffer support
- Dual-buffer (ring) or linked-list (chained) descriptor chaining
- Descriptor architecture, allowing large blocks of data transfer with minimum CPU intervention;
- each descriptor can transfer up to 8 KB of data
- Comprehensive status reporting for normal operation and transfers with errors
- Individual programmable burst size for Transmit and Receive DMA Engines for optimal host bus utilization
- Programmable interrupt options for different operational conditions
- Per-frame Transmit/Receive complete interrupt control
- Round-robin or fixed-priority arbitration between Receive and Transmit engines
- Start/Stop modes
- Current Tx/Rx buffer pointer as status registers
- Current Tx/Rx descriptor pointer as status registers

28.2.3 PTP features

- Received and transmitted frames time stamping
- Coarse and fine correction methods
- Trigger interrupt when system time becomes greater than target time
- Pulse per second output (product alternate function output)

28.3 Ethernet pins

[Table 138](#) shows the MAC signals and the corresponding MII/RMII signal mapping. All MAC signals are mapped onto AF11, some signals are mapped onto different I/O pins, and should be configured in Alternate function mode (for more details, refer to [Section 6.3.2: I/O pin multiplexer and mapping](#)).

Table 138. Alternate function mapping

Port	AF11
	ETH
PA0-WKUP	ETH_MII_CRCS
PA1	ETH_MII_RX_CLK / ETH_RMII_REF_CLK
PA2	ETH_MDIO
PA3	ETH_MII_COL
PA7	ETH_MII_RX_DV / ETH_RMII_CRCS_DV
PB0	ETH_MII_RXD2
PB1	ETH_MII_RXD3
PB5	ETH_PPS_OUT
PB8	ETH_MII_TXD3
PB10	ETH_MII_RX_ER
PB11	ETH_MII_TX_EN / ETH_RMII_TX_EN
PB12	ETH_MII_TXD0 / ETH_RMII_TXD0
PB13	ETH_MII_TXD1 / ETH_RMII_TXD1
PC1	ETH_MDC
PC2	ETH_MII_TXD2
PC3	ETH_MII_TX_CLK
PC4	ETH_MII_RXD0 / ETH_RMII_RXD0
PC5	ETH_MII_RXD1 / ETH_RMII_RXD1
PE2	ETH_MII_TXD3
PG8	ETH_PPS_OUT
PG11	ETH_MII_TX_EN / ETH_RMII_TX_EN
PG13	ETH_MII_TXD0 / ETH_RMII_TXD0
PG14	ETH_MII_TXD1 / ETH_RMII_TXD1
PH2	ETH_MII_CRCS
PH3	ETH_MII_COL
PH6	ETH_MII_RXD2
PH7	ETH_MII_RXD3
PI10	ETH_MII_RX_ER

28.4 Ethernet functional description: SMI, MII and RMII

The Ethernet peripheral consists of a MAC 802.3 (media access control) with a dedicated DMA controller. It supports both default media-independent interface (MII) and reduced media-independent interface (RMII) through one selection bit (refer to SYSCFG_PMC register).

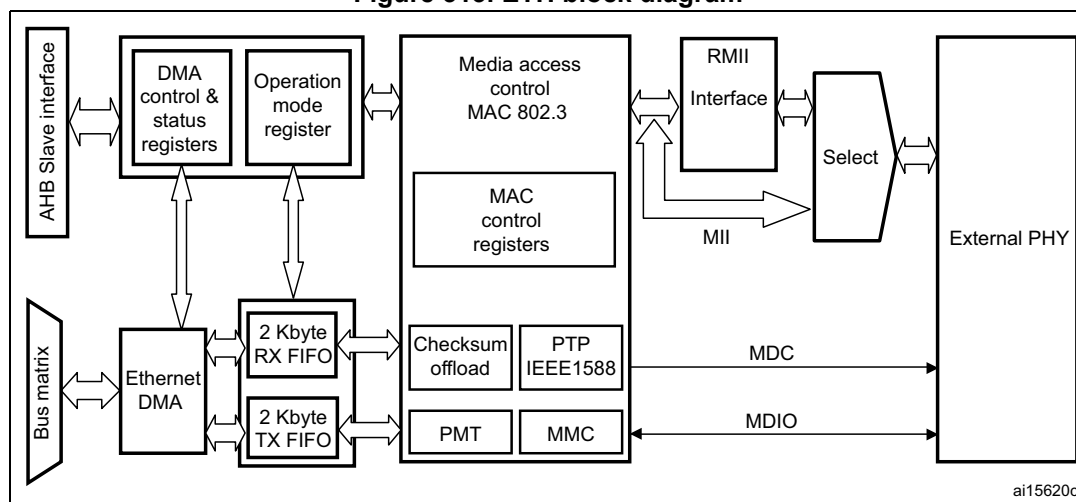
The DMA controller interfaces with the Core and memories through the AHB Master and Slave interfaces. The AHB Master Interface controls data transfers while the AHB Slave interface accesses Control and Status registers (CSR) space.

The Transmit FIFO (Tx FIFO) buffers data read from system memory by the DMA before transmission by the MAC Core. Similarly, the Receive FIFO (Rx FIFO) stores the Ethernet frames received from the line until they are transferred to system memory by the DMA.

The Ethernet peripheral also includes an SMI to communicate with external PHY. A set of configuration registers permit the user to select the desired mode and features for the MAC and the DMA controller.

Note: The AHB clock frequency must be at least 25 MHz when the Ethernet is used.

Figure 313. ETH block diagram



1. For AHB connections refer to [Figure 1: System architecture](#).

28.4.1 Station management interface: SMI

The station management interface (SMI) allows the application to access any PHY registers through a 2-wire clock and data lines. The interface supports accessing up to 32 PHYs.

The application can select one of the 32 PHYs and one of the 32 registers within any PHY and send control data or receive status information. Only one register in one PHY can be addressed at any given time.

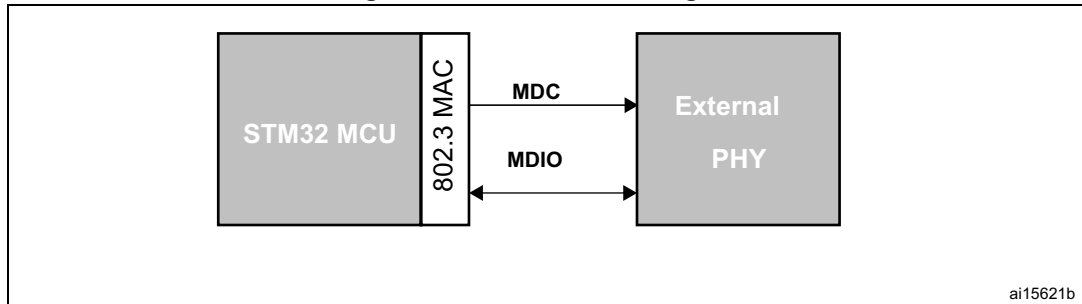
Both the MDC clock line and the MDIO data line are implemented as alternate function I/O in the microcontroller:

- MDC: a periodic clock that provides the timing reference for the data transfer at the maximum frequency of 2.5 MHz. The minimum high and low times for MDC must be

160 ns each, and the minimum period for MDC must be 400 ns. In idle state the SMI management interface drives the MDC clock signal low.

- MDIO: data input/output bitstream to transfer status information to/from the PHY device synchronously with the MDC clock signal

Figure 314. SMI interface signals



SMI frame format

The frame structure related to a read or write operation is shown in Table 139, the order of bit transmission must be from left to right.

Table 139. Management frame format

	Management frame fields							
	Preamble (32 bits)	Start	Operation	PADDR	RADDR	TA	Data (16 bits)	Idle
Read	1... 1	01	10	ppppp	rrrrr	Z0	ddddddddddddddd	Z
Write	1... 1	01	01	ppppp	rrrrr	10	ddddddddddddddd	Z

The management frame consists of eight fields:

- **Preamble:** each transaction (read or write) can be initiated with the preamble field that corresponds to 32 contiguous logic one bits on the MDIO line with 32 corresponding cycles on MDC. This field is used to establish synchronization with the PHY device.
- **Start:** the start of frame is defined by a <01> pattern to verify transitions on the line from the default logic one state to zero and back to one.
- **Operation:** defines the type of transaction (read or write) in progress.
- **PADDR:** the PHY address is 5 bits, allowing 32 unique PHY addresses. The MSB bit of the address is the first transmitted and received.
- **RADDR:** the register address is 5 bits, allowing 32 individual registers to be addressed within the selected PHY device. The MSB bit of the address is the first transmitted and received.
- **TA:** the turn-around field defines a 2-bit pattern between the RADDR and DATA fields to avoid contention during a read transaction. For a read transaction the MAC controller drives high-impedance on the MDIO line for the 2 bits of TA. The PHY device must drive a high-impedance state on the first bit of TA, a zero bit on the second one.

For a write transaction, the MAC controller drives a <10> pattern during the TA field. The PHY device must drive a high-impedance state for the 2 bits of TA.

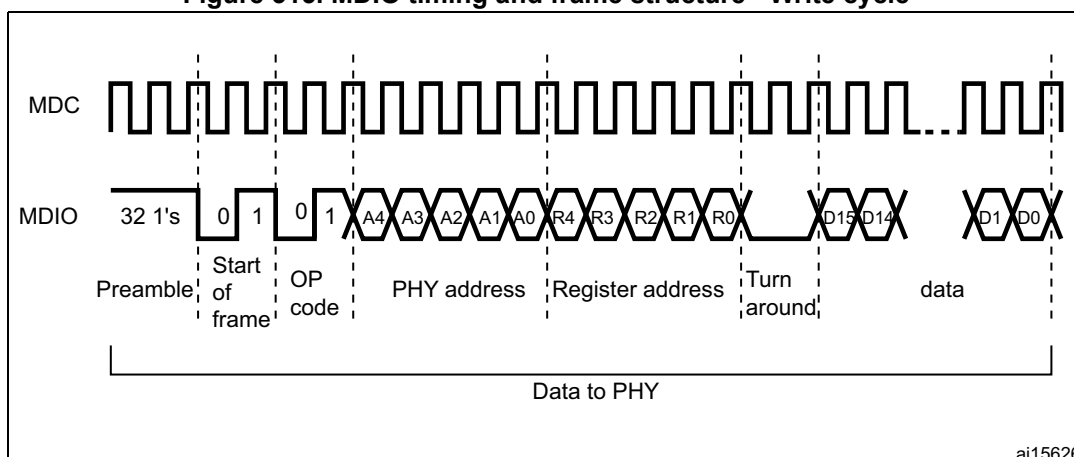
- **Data:** the data field is 16-bit. The first bit transmitted and received must be bit 15 of the ETH_MIID register.
- **Idle:** the MDIO line is driven in high-impedance state. All three-state drivers must be disabled and the PHY's pull-up resistor keeps the line at logic one.

SMI write operation

When the application sets the MII Write and Busy bits (in *Ethernet MAC MII address register (ETH_MACMIIAR)*), the SMI initiates a write operation into the PHY registers by transferring the PHY address, the register address in PHY, and the write data (in *Ethernet MAC MII data register (ETH_MACMIIDR)*). The application should not change the MII Address register contents or the MII Data register while the transaction is ongoing. Write operations to the MII Address register or the MII Data register during this period are ignored (the Busy bit is high), and the transaction is completed without any error. After the Write operation has completed, the SMI indicates this by resetting the Busy bit.

Figure 315 shows the frame format for the write operation.

Figure 315. MDIO timing and frame structure - Write cycle

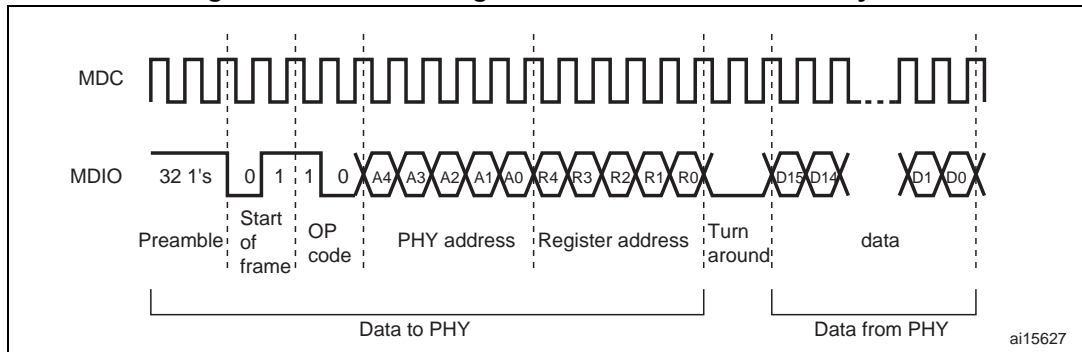


SMI read operation

When the user sets the MII Busy bit in the Ethernet MAC MII address register (ETH_MACMIIAR) with the MII Write bit at 0, the SMI initiates a read operation in the PHY registers by transferring the PHY address and the register address in PHY. The application should not change the MII Address register contents or the MII Data register while the transaction is ongoing. Write operations to the MII Address register or MII Data register during this period are ignored (the Busy bit is high) and the transaction is completed without any error. After the read operation has completed, the SMI resets the Busy bit and then updates the MII Data register with the data read from the PHY.

Figure 316 shows the frame format for the read operation.

Figure 316. MDIO timing and frame structure - Read cycle



SMI clock selection

The MAC initiates the Management Write/Read operation. The SMI clock is a divided clock whose source is the application clock (AHB clock). The divide factor depends on the clock range setting in the MII Address register.

Table 140 shows how to set the clock ranges.

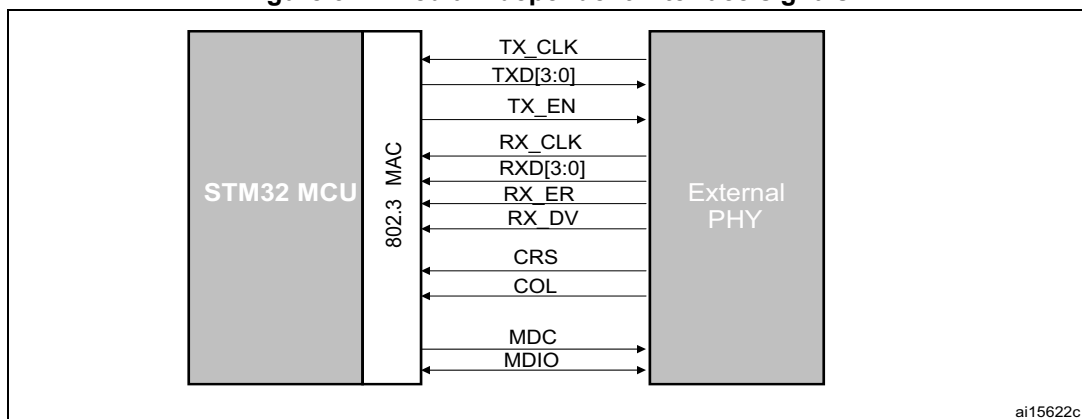
Table 140. Clock range

Selection	HCLK clock	MDC clock
000	60-100 MHz	AHB clock / 42
001	100-120 MHz	AHB clock / 62
010	20-35 MHz	AHB clock / 16
011	35-60 MHz	AHB clock / 26
100, 101, 110, 111	Reserved	-

28.4.2 Media-independent interface: MII

The media-independent interface (MII) defines the interconnection between the MAC sublayer and the PHY for data transfer at 10 Mbit/s and 100 Mbit/s.

Figure 317. Media independent interface signals



- MII_TX_CLK: continuous clock that provides the timing reference for the TX data transfer. The nominal frequency is: 2.5 MHz at 10 Mbit/s speed; 25 MHz at 100 Mbit/s speed.
- MII_RX_CLK: continuous clock that provides the timing reference for the RX data transfer. The nominal frequency is: 2.5 MHz at 10 Mbit/s speed; 25 MHz at 100 Mbit/s speed.
- MII_TX_EN: transmission enable indicates that the MAC is presenting nibbles on the MII for transmission. It must be asserted synchronously (MII_TX_CLK) with the first nibble of the preamble and must remain asserted while all nibbles to be transmitted are presented to the MII.
- MII_TXD[3:0]: transmit data is a bundle of 4 data signals driven synchronously by the MAC sublayer and qualified (valid data) on the assertion of the MII_TX_EN signal. MII_TXD[0] is the least significant bit, MII_TXD[3] is the most significant bit. While MII_TX_EN is deasserted the transmit data must have no effect upon the PHY.
- MII_CRD: carrier sense is asserted by the PHY when either the transmit or receive medium is non idle. It shall be deasserted by the PHY when both the transmit and receive media are idle. The PHY must ensure that the MII_CS signal remains asserted throughout the duration of a collision condition. This signal is not required to transition synchronously with respect to the TX and RX clocks. In full duplex mode the state of this signal is don't care for the MAC sublayer.
- MII_COL: collision detection must be asserted by the PHY upon detection of a collision on the medium and must remain asserted while the collision condition persists. This signal is not required to transition synchronously with respect to the TX and RX clocks. In full duplex mode the state of this signal is don't care for the MAC sublayer.
- MII_RXD[3:0]: reception data is a bundle of 4 data signals driven synchronously by the PHY and qualified (valid data) on the assertion of the MII_RX_DV signal. MII_RXD[0] is the least significant bit, MII_RXD[3] is the most significant bit. While MII_RX_EN is deasserted and MII_RX_ER is asserted, a specific MII_RXD[3:0] value is used to transfer specific information from the PHY (see [Table 142](#)).
- MII_RX_DV: receive data valid indicates that the PHY is presenting recovered and decoded nibbles on the MII for reception. It must be asserted synchronously (MII_RX_CLK) with the first recovered nibble of the frame and must remain asserted through the final recovered nibble. It must be deasserted prior to the first clock cycle that follows the final nibble. In order to receive the frame correctly, the MII_RX_DV signal must encompass the frame, starting no later than the SFD field.
- MII_RX_ER: receive error must be asserted for one or more clock periods (MII_RX_CLK) to indicate to the MAC sublayer that an error was detected somewhere in the frame. This error condition must be qualified by MII_RX_DV assertion as described in [Table 142](#).

Table 141. TX interface signal encoding

MII_TX_EN	MII_TXD[3:0]	Description
0	0000 through 1111	Normal inter-frame
1	0000 through 1111	Normal data transmission

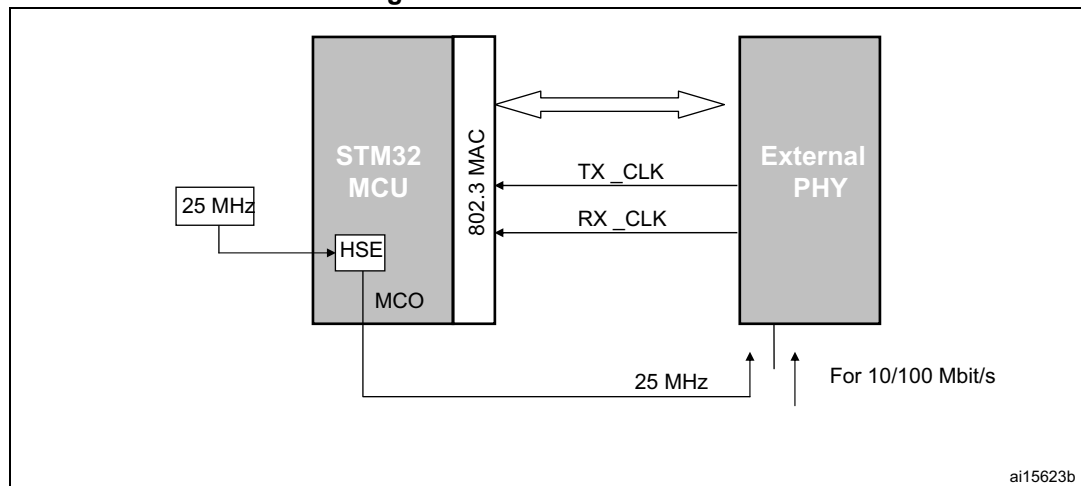
Table 142. RX interface signal encoding

MII_RX_DV	MII_RX_ERR	MII_RXD[3:0]	Description
0	0	0000 through 1111	Normal inter-frame
0	1	0000	Normal inter-frame
0	1	0001 through 1101	Reserved
0	1	1110	False carrier indication
0	1	1111	Reserved
1	0	0000 through 1111	Normal data reception
1	1	0000 through 1111	Data reception with errors

MII clock sources

To generate both TX_CLK and RX_CLK clock signals, the external PHY must be clocked with an external 25 MHz as shown in *Figure 318*. Instead of using an external 25 MHz quartz to provide this clock, the STM32F20x and STM32F21x microcontroller can output this signal on its MCO pin. In this case, the PLL multiplier has to be configured so as to get the desired frequency on the MCO pin, from the 25 MHz external quartz.

Figure 318. MII clock sources



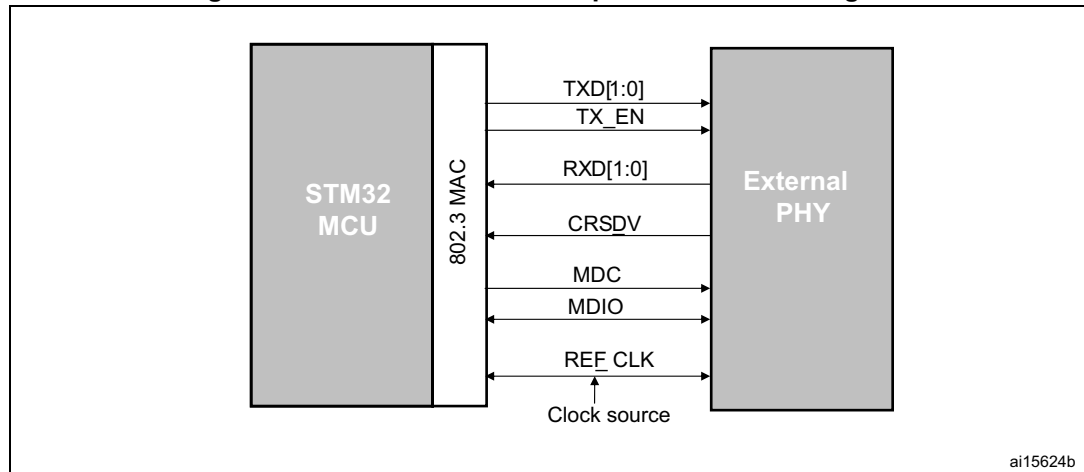
28.4.3 Reduced media-independent interface: RMII

The reduced media-independent interface (RMII) specification reduces the pin count between the microcontroller Ethernet peripheral and the external Ethernet in 10/100 Mbit/s. According to the IEEE 802.3u standard, an MII contains 16 pins for data and control. The RMII specification is dedicated to reduce the pin count to 7 pins (a 62.5% decrease in pin count).

The RMII is instantiated between the MAC and the PHY. This helps translation of the MAC's MII into the RMII. The RMII block has the following characteristics:

- It supports 10-Mbit/s and 100-Mbit/s operating rates
- The clock reference must be doubled to 50 MHz
- The same clock reference must be sourced externally to both MAC and external Ethernet PHY
- It provides independent 2-bit wide (dibit) transmit and receive data paths

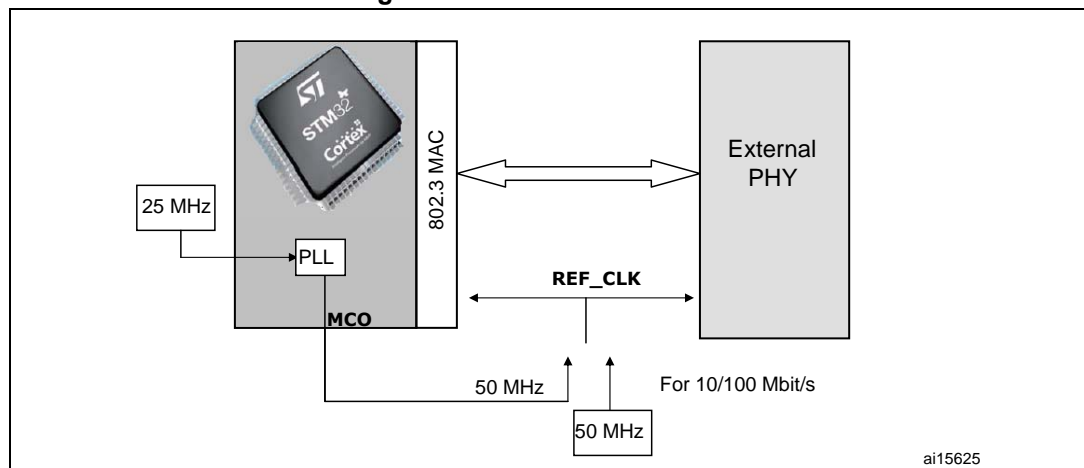
Figure 319. Reduced media-independent interface signals



RMII clock sources

As described in the [RMII clock sources](#) section, the STM32F20x and STM32F21x/STM32F107xx could provide this 50 MHz clock signal on its MCO output pin and you then have to configure this output value through PLL configuration.

Figure 320. RMII clock sources



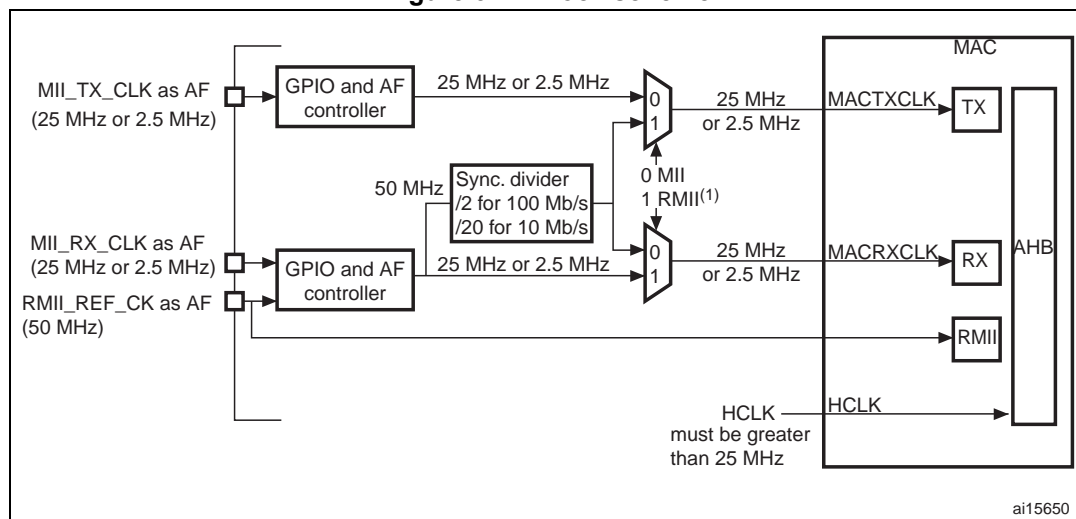
28.4.4 MII/RMII selection

The mode, MII or RMII, is selected using the configuration bit 23, MII_RMII_SEL, in the SYSCFG_PMC register. The application has to set the MII/RMII mode while the Ethernet controller is under reset or before enabling the clocks.

MII/RMII internal clock scheme

The clock scheme required to support both the MII and RMII, as well as 10 and 100 Mbit/s operations is described in [Figure 321](#).

Figure 321. Clock scheme



1. The MII/RMII selection is controlled through bit 23, MII_RMII_SEL, in the SYSCFG_PMC register. To save a pin, the two input clock signals, RMII_REF_CLK and MII_RX_CLK, are multiplexed on the same GPIO pin.

28.5 Ethernet functional description: MAC 802.3

The IEEE 802.3 International Standard for local area networks (LANs) employs the CSMA/CD (carrier sense multiple access with collision detection) as the access method.

The Ethernet peripheral consists of a MAC 802.3 (media access control) controller with media independent interface (MII) and a dedicated DMA controller.

The MAC block implements the LAN CSMA/CD sublayer for the following families of systems: 10 Mbit/s and 100 Mbit/s of data rates for baseband and broadband systems. Half- and full-duplex operation modes are supported. The collision detection access method is applied only to the half-duplex operation mode. The MAC control frame sublayer is supported.

The MAC sublayer performs the following functions associated with a data link control procedure:

- Data encapsulation (transmit and receive)
 - Framing (frame boundary delimitation, frame synchronization)
 - Addressing (handling of source and destination addresses)
 - Error detection
- Media access management
 - Medium allocation (collision avoidance)
 - Contention resolution (collision handling)

Basically there are two operating modes of the MAC sublayer:

- Half-duplex mode: the stations contend for the use of the physical medium, using the CSMA/CD algorithms.
- Full duplex mode: simultaneous transmission and reception without contention resolution (CSMA/CD algorithm are unnecessary) when all the following conditions are met:
 - physical medium capability to support simultaneous transmission and reception
 - exactly 2 stations connected to the LAN
 - both stations configured for full-duplex operation

28.5.1 MAC 802.3 frame format

The MAC block implements the MAC sublayer and the optional MAC control sublayer (10/100 Mbit/s) as specified by the IEEE 802.3-2002 standard.

Two frame formats are specified for data communication systems using the CSMA/CD MAC:

- Basic MAC frame format
- Tagged MAC frame format (extension of the basic MAC frame format)

[Figure 323](#) and [Figure 324](#) describe the frame structure (untagged and tagged) that includes the following fields:

- Preamble: 7-byte field used for synchronization purposes (PLS circuitry)
Hexadecimal value: 55-55-55-55-55-55-55
Bit pattern: 01010101 01010101 01010101 01010101 01010101 01010101 01010101
(right-to-left bit transmission)
- Start frame delimiter (SFD): 1-byte field used to indicate the start of a frame.
Hexadecimal value: D5
Bit pattern: 11010101 (right-to-left bit transmission)
- Destination and Source Address fields: 6-byte fields to indicate the destination and source station addresses as follows (see [Figure 322](#)):
 - Each address is 48 bits in length
 - The first LSB bit (I/G) in the destination address field is used to indicate an individual (I/G = 0) or a group address (I/G = 1). A group address could identify

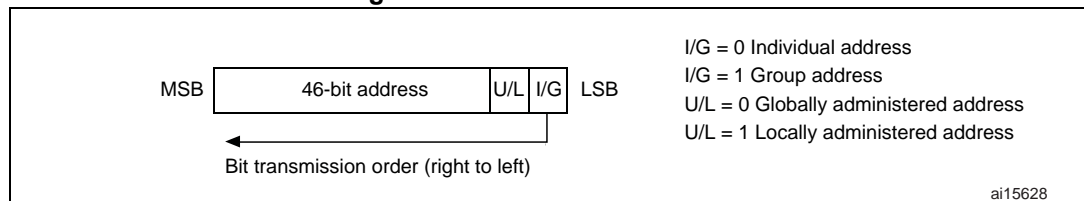
none, one or more, or all the stations connected to the LAN. In the source address the first bit is reserved and reset to 0.

- The second bit (U/L) distinguishes between locally (U/L = 1) or globally (U/L = 0) administered addresses. For broadcast addresses this bit is also 1.
- Each byte of each address field must be transmitted least significant bit first.

The address designation is based on the following types:

- Individual address: this is the physical address associated with a particular station on the network.
- Group address. A multdestination address associated with one or more stations on a given network. There are two kinds of multicast address:
 - Multicast-group address: an address associated with a group of logically related stations.
 - Broadcast address: a distinguished, predefined multicast address (all 1's in the destination address field) that always denotes all the stations on a given LAN.

Figure 322. Address field format



- QTag Prefix: 4-byte field inserted between the Source address field and the MAC Client Length/Type field. This field is an extension of the basic frame (untagged) to obtain the tagged MAC frame. The untagged MAC frames do not include this field. The extensions for tagging are as follows:
 - 2-byte constant Length/Type field value consistent with the Type interpretation (greater than 0x0600) equal to the value of the 802.1Q Tag Protocol Type (0x8100 hexadecimal). This constant field is used to distinguish tagged and untagged MAC frames.
 - 2-byte field containing the Tag control information field subdivided as follows: a 3-bit user priority, a canonical format indicator (CFI) bit and a 12-bit VLAN Identifier. The length of the tagged MAC frame is extended by 4 bytes by the QTag Prefix.
- MAC client length/type: 2-byte field with different meaning (mutually exclusive), depending on its value:
 - If the value is less than or equal to maxValidFrame (0d1500) then this field indicates the number of MAC client data bytes contained in the subsequent data field of the 802.3 frame (length interpretation).
 - If the value is greater than or equal to MinTypeValue (0d1536 decimal, 0x0600) then this field indicates the nature of the MAC client protocol (Type interpretation) related to the Ethernet frame.

Regardless of the interpretation of the length/type field, if the length of the data field is less than the minimum required for proper operation of the protocol, a PAD field is

added after the data field but prior to the FCS (frame check sequence) field. The length/type field is transmitted and received with the higher-order byte first.

For length/type field values in the range between `maxValidLength` and `minTypeValue` (boundaries excluded), the behavior of the MAC sublayer is not specified: they may or may not be passed by the MAC sublayer.

- Data and PAD fields: n-byte data field. Full data transparency is provided, it means that any arbitrary sequence of byte values may appear in the data field. The size of the PAD, if any, is determined by the size of the data field. Max and min length of the data and PAD field are:
 - Maximum length = 1500 bytes
 - Minimum length for untagged MAC frames = 46 bytes
 - Minimum length for tagged MAC frames = 42 bytes

When the data field length is less than the minimum required, the PAD field is added to match the minimum length (42 bytes for tagged frames, 46 bytes for untagged frames).

- Frame check sequence: 4-byte field that contains the cyclic redundancy check (CRC) value. The CRC computation is based on the following fields: source address, destination address, QTag prefix, length/type, LLC data and PAD (that is, all fields except the preamble, SFD). The generating polynomial is the following:

$$G(x) = x^{32} + x^{26} + x^{23} + x^{22} + x^{16} + x^{12} + x^{11} + x^{10} + x^8 + x^7 + x^5 + x^4 + x^2 + x + 1$$

The CRC value of a frame is computed as follows:

- The first 2 bits of the frame are complemented
- The n-bits of the frame are the coefficients of a polynomial $M(x)$ of degree $(n - 1)$. The first bit of the destination address corresponds to the x^{n-1} term and the last bit of the data field corresponds to the x^0 term
- $M(x)$ is multiplied by x^{32} and divided by $G(x)$, producing a remainder $R(x)$ of degree ≤ 31
- The coefficients of $R(x)$ are considered as a 32-bit sequence
- The bit sequence is complemented and the result is the CRC
- The 32-bits of the CRC value are placed in the frame check sequence. The x^{32} term is the first transmitted, the x^0 term is the last one

Figure 323. MAC frame format

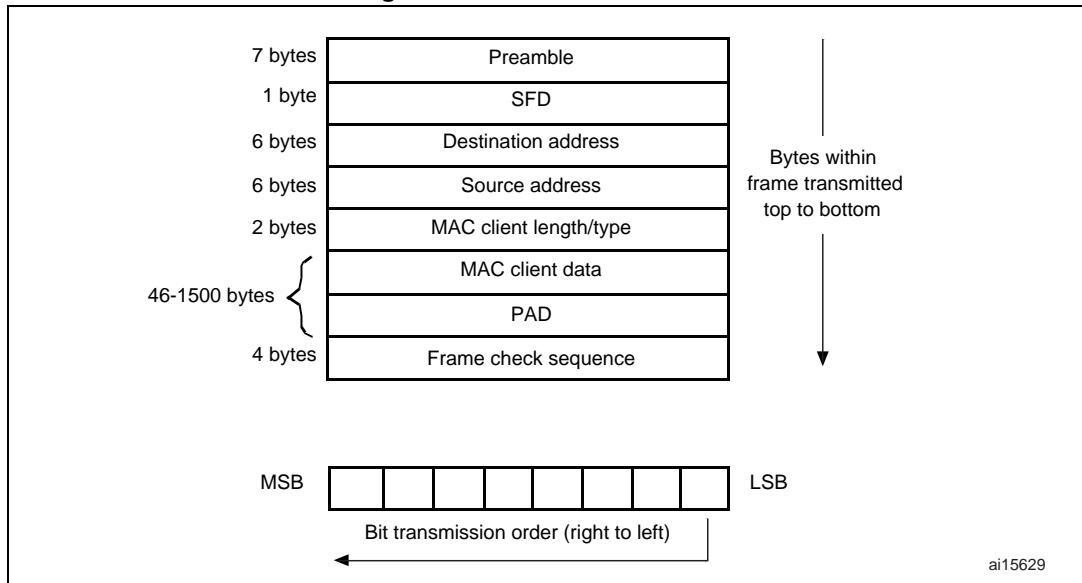
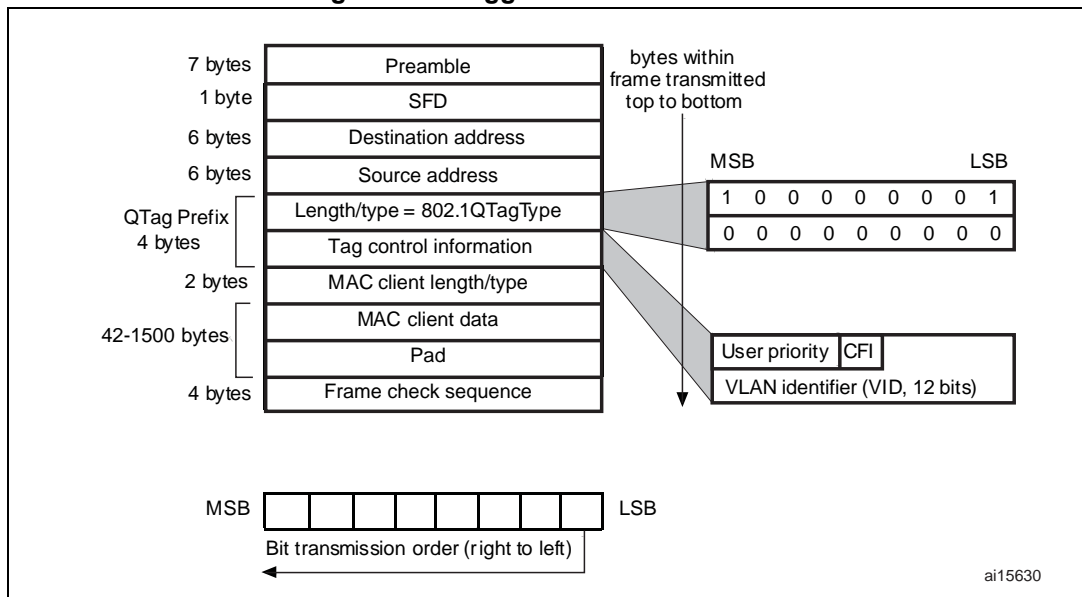


Figure 324. Tagged MAC frame format



Each byte of the MAC frame, except the FCS field, is transmitted low-order bit first.

An invalid MAC frame is defined by one of the following conditions:

- The frame length is inconsistent with the expected value as specified by the length/type field. If the length/type field contains a type value, then the frame length is assumed to be consistent with this field (no invalid frame)
- The frame length is not an integer number of bytes (extra bits)
- The CRC value computed on the incoming frame does not match the included FCS

28.5.2 MAC frame transmission

The DMA controls all transactions for the transmit path. Ethernet frames read from the system memory are pushed into the FIFO by the DMA. The frames are then popped out and transferred to the MAC core. When the end-of-frame is transferred, the status of the transmission is taken from the MAC core and transferred back to the DMA. The Transmit FIFO has a depth of 2 Kbyte. FIFO-fill level is indicated to the DMA so that it can initiate a data fetch in required bursts from the system memory, using the AHB interface. The data from the AHB Master interface is pushed into the FIFO.

When the SOF is detected, the MAC accepts the data and begins transmitting to the MII. The time required to transmit the frame data to the MII after the application initiates transmission is variable, depending on delay factors like IFG delay, time to transmit preamble/SFD, and any back-off delays for Half-duplex mode. After the EOF is transferred to the MAC core, the core completes normal transmission and then gives the status of transmission back to the DMA. If a normal collision (in Half-duplex mode) occurs during transmission, the MAC core makes the transmit status valid, then accepts and drops all further data until the next SOF is received. The same frame should be retransmitted from SOF on observing a Retry request (in the Status) from the MAC. The MAC issues an underflow status if the data are not provided continuously during the transmission. During the normal transfer of a frame, if the MAC receives an SOF without getting an EOF for the previous frame, then the SOF is ignored and the new frame is considered as the continuation of the previous frame.

There are two modes of operation for popping data towards the MAC core:

- In Threshold mode, as soon as the number of bytes in the FIFO crosses the configured threshold level (or when the end-of-frame is written before the threshold is crossed), the data is ready to be popped out and forwarded to the MAC core. The threshold level is configured using the TTC bits of ETH_DMABMR.
- In Store-and-forward mode, only after a complete frame is stored in the FIFO, the frame is popped towards the MAC core. If the Tx FIFO size is smaller than the Ethernet frame to be transmitted, then the frame is popped towards the MAC core when the Tx FIFO becomes almost full.

The application can flush the Transmit FIFO of all contents by setting the FTF (ETH_DMAOMR register [20]) bit. This bit is self-clearing and initializes the FIFO pointers to the default state. If the FTF bit is set during a frame transfer to the MAC core, then transfer is stopped as the FIFO is considered to be empty. Hence an underflow event occurs at the MAC transmitter and the corresponding Status word is forwarded to the DMA.

Automatic CRC and pad generation

When the number of bytes received from the application falls below 60 (DA+SA+LT+Data), zeros are appended to the transmitting frame to make the data length exactly 46 bytes to meet the minimum data field requirement of IEEE 802.3. The MAC can be programmed not to append any padding. The cyclic redundancy check (CRC) for the frame check sequence (FCS) field is calculated and appended to the data being transmitted. When the MAC is programmed to not append the CRC value to the end of Ethernet frames, the computed CRC is not transmitted. An exception to this rule is that when the MAC is programmed to append pads for frames (DA+SA+LT+Data) less than 60 bytes, CRC is appended at the end of the padded frames.

The CRC generator calculates the 32-bit CRC for the FCS field of the Ethernet frame. The encoding is defined by the following polynomial.

$$G(x) = x^{32} + x^{26} + x^{23} + x^{22} + x^{16} + x^{12} + x^{11} + x^{10} + x^8 + x^7 + x^5 + x^4 + x^2 + x + 1$$

Transmit protocol

The MAC controls the operation of Ethernet frame transmission. It performs the following functions to meet the IEEE 802.3/802.3z specifications. It:

- generates the preamble and SFD
- generates the jam pattern in Half-duplex mode
- controls the Jabber timeout
- controls the flow for Half-duplex mode (back pressure)
- generates the transmit frame status
- contains time stamp snapshot logic in accordance with IEEE 1588

When a new frame transmission is requested, the MAC sends out the preamble and SFD, followed by the data. The preamble is defined as 7 bytes of 0b10101010 pattern, and the SFD is defined as 1 byte of 0b10101011 pattern. The collision window is defined as 1 slot time (512 bit times for 10/100 Mbit/s Ethernet). The jam pattern generation is applicable only to Half-duplex mode, not to Full-duplex mode.

In MII mode, if a collision occurs at any time from the beginning of the frame to the end of the CRC field, the MAC sends a 32-bit jam pattern of 0x5555 5555 on the MII to inform all other stations that a collision has occurred. If the collision is seen during the preamble transmission phase, the MAC completes the transmission of the preamble and SFD and then sends the jam pattern.

A jabber timer is maintained to cut off the transmission of Ethernet frames if more than 2048 (default) bytes have to be transferred. The MAC uses the deferral mechanism for flow control (back pressure) in Half-duplex mode. When the application requests to stop receiving frames, the MAC sends a JAM pattern of 32 bytes whenever it senses the reception of a frame, provided that transmit flow control is enabled. This results in a collision and the remote station backs off. The application requests flow control by setting the BPA bit (bit 0) in the ETH_MACFCR register. If the application requests a frame to be transmitted, then it is scheduled and transmitted even when back pressure is activated. Note that if back pressure is kept activated for a long time (and more than 16 consecutive collision events occur) then the remote stations abort their transmissions due to excessive collisions. If IEEE 1588 time stamping is enabled for the transmit frame, this block takes a snapshot of the system time when the SFD is put onto the transmit MII bus.

Transmit scheduler

The MAC is responsible for scheduling the frame transmission on the MII. It maintains the interframe gap between two transmitted frames and follows the truncated binary exponential backoff algorithm for Half-duplex mode. The MAC enables transmission after satisfying the IFG and backoff delays. It maintains an idle period of the configured interframe gap (IFG bits in the ETH_MACCCR register) between any two transmitted frames. If frames to be transmitted arrive sooner than the configured IFG time, the MII waits for the enable signal from the MAC before starting the transmission on it. The MAC starts its IFG counter as soon as the carrier signal of the MII goes inactive. At the end of the programmed IFG value, the MAC enables transmission in Full-duplex mode. In Half-duplex mode and when IFG is

configured for 96 bit times, the MAC follows the rule of deference specified in Section 4.2.3.2.1 of the IEEE 802.3 specification. The MAC resets its IFG counter if a carrier is detected during the first two-thirds (64-bit times for all IFG values) of the IFG interval. If the carrier is detected during the final one third of the IFG interval, the MAC continues the IFG count and enables the transmitter after the IFG interval. The MAC implements the truncated binary exponential backoff algorithm when it operates in Half-duplex mode.

Transmit flow control

When the Transmit Flow Control Enable bit (TFE bit in ETH_MACFCR) is set, the MAC generates Pause frames and transmits them as necessary, in Full-duplex mode. The Pause frame is appended with the calculated CRC, and is sent. Pause frame generation can be initiated in two ways.

A pause frame is sent either when the application sets the FCB bit in the ETH_MACFCR register or when the receive FIFO is full (packet buffer).

- If the application has requested flow control by setting the FCB bit in ETH_MACFCR, the MAC generates and transmits a single Pause frame. The value of the pause time in the generated frame contains the programmed pause time value in ETH_MACFCR. To extend the pause or end the pause prior to the time specified in the previously transmitted Pause frame, the application must request another Pause frame transmission after programming the Pause Time value (PT in ETH_MACFCR register) with the appropriate value.
- If the application has requested flow control when the receive FIFO is full, the MAC generates and transmits a Pause frame. The value of the pause time in the generated frame is the programmed pause time value in ETH_MACFCR. If the receive FIFO remains full at a configurable number of slot-times (PLT bits in ETH_MACFCR) before this Pause time runs out, a second Pause frame is transmitted. The process is repeated as long as the receive FIFO remains full. If this condition is no more satisfied prior to the sampling time, the MAC transmits a Pause frame with zero pause time to indicate to the remote end that the receive buffer is ready to receive new data frames.

Single-packet transmit operation

The general sequence of events for a transmit operation is as follows:

1. If the system has data to be transferred, the DMA controller fetches them from the memory through the AHB Master interface and starts forwarding them to the FIFO. It continues to receive the data until the end of frame is transferred.
2. When the threshold level is crossed or a full packet of data is received into the FIFO, the frame data are popped and driven to the MAC core. The DMA continues to transfer data from the FIFO until a complete packet has been transferred to the MAC. Upon completion of the frame, the DMA controller is notified by the status coming from the MAC.

Transmit operation—Two packets in the buffer

1. Because the DMA must update the descriptor status before releasing it to the Host, there can be at the most two frames inside a transmit FIFO. The second frame is fetched by the DMA and put into the FIFO only if the OSF (operate on second frame) bit is set. If this bit is not set, the next frame is fetched from the memory only after the MAC has completely processed the frame and the DMA has released the descriptors.
2. If the OSF bit is set, the DMA starts fetching the second frame immediately after completing the transfer of the first frame to the FIFO. It does not wait for the status to be updated. In the meantime, the second frame is received into the FIFO while the first

frame is being transmitted. As soon as the first frame has been transferred and the status is received from the MAC, it is pushed to the DMA. If the DMA has already completed sending the second packet to the FIFO, the second transmission must wait for the status of the first packet before proceeding to the next frame.

Retransmission during collision

While a frame is being transferred to the MAC, a collision event may occur on the MAC line interface in Half-duplex mode. The MAC would then indicate a retry attempt by giving the status even before the end of frame is received. Then the retransmission is enabled and the frame is popped out again from the FIFO. After more than 96 bytes have been popped towards the MAC core, the FIFO controller frees up that space and makes it available to the DMA to push in more data. This means that the retransmission is not possible after this threshold is crossed or when the MAC core indicates a late collision event.

Transmit FIFO flush operation

The MAC provides a control to the software to flush the Transmit FIFO through the use of Bit 20 in the Operation mode register. The Flush operation is immediate and the Tx FIFO and the corresponding pointers are cleared to the initial state even if the Tx FIFO is in the middle of transferring a frame to the MAC Core. This results in an underflow event in the MAC transmitter, and the frame transmission is aborted. The status of such a frame is marked with both underflow and frame flush events (TDES0 bits 13 and 1). No data are coming to the FIFO from the application (DMA) during the Flush operation. Transfer transmit status words are transferred to the application for the number of frames that is flushed (including partial frames). Frames that are completely flushed have the Frame flush status bit (TDES0 13) set. The Flush operation is completed when the application (DMA) has accepted all of the Status words for the frames that were flushed. The Transmit FIFO Flush control register bit is then cleared. At this point, new frames from the application (DMA) are accepted. All data presented for transmission after a Flush operation are discarded unless they start with an SOF marker.

Transmit status word

At the end of the Ethernet frame transfer to the MAC core and after the core has completed the transmission of the frame, the transmit status is given to the application. The detailed description of the Transmit Status is the same as for bits [23:0] in TDES0. If IEEE 1588 time stamping is enabled, a specific frames' 64-bit time stamp is returned, along with the transmit status.

Transmit checksum offload

Communication protocols such as TCP and UDP implement checksum fields, which helps determine the integrity of data transmitted over a network. Because the most widespread use of Ethernet is to encapsulate TCP and UDP over IP datagrams, the Ethernet controller has a transmit checksum offload feature that supports checksum calculation and insertion in the transmit path, and error detection in the receive path. This section explains the operation of the checksum offload feature for transmitted frames.

Note: The checksum for TCP, UDP or ICMP is calculated over a complete frame, then inserted into its corresponding header field. Due to this requirement, this function is enabled only when the Transmit FIFO is configured for Store-and-forward mode (that is, when the TSF bit is set in the ETH_ETH_DMAOMR register). If the core is configured for Threshold (cut-through) mode, the Transmit checksum offload is bypassed.

You must make sure the Transmit FIFO is deep enough to store a complete frame before that frame is transferred to the MAC Core transmitter. If the FIFO depth is less than the input Ethernet frame size, the payload (TCP/UDP/ICMP) checksum insertion function is bypassed and only the frame's IPv4 Header checksum is modified, even in Store-and-forward mode.

The transmit checksum offload supports two types of checksum calculation and insertion. This checksum can be controlled for each frame by setting the CIC bits (bits 23:22 in TDES0, described in [TDES0: Transmit descriptor Word0](#)).

See IETF specifications RFC 791, RFC 793, RFC 768, RFC 792, RFC 2460 and RFC 4443 for IPv4, TCP, UDP, ICMP, IPv6 and ICMPv6 packet header specifications, respectively.

- IP header checksum

In IPv4 datagrams, the integrity of the header fields is indicated by the 16-bit header checksum field (the eleventh and twelfth bytes of the IPv4 datagram). The checksum offload detects an IPv4 datagram when the Ethernet frame's Type field has the value 0x0800 and the IP datagram's Version field has the value 0x4. The input frame's checksum field is ignored during calculation and replaced by the calculated value. IPv6 headers do not have a checksum field; thus, the checksum offload does not modify IPv6 header fields. The result of this IP header checksum calculation is indicated by the IP Header Error status bit in the Transmit status (Bit 16). This status bit is set whenever the values of the Ethernet Type field and the IP header's Version field are not consistent, or when the Ethernet frame does not have enough data, as indicated by the IP header Length field. In other words, this bit is set when an IP header error is asserted under the following circumstances:

- a) For IPv4 datagrams:

- The received Ethernet type is 0x0800, but the IP header's Version field does not equal 0x4
- The IPv4 Header Length field indicates a value less than 0x5 (20 bytes)
- The total frame length is less than the value given in the IPv4 Header Length field

- b) For IPv6 datagrams:

- The Ethernet type is 0x86DD but the IP header Version field does not equal 0x6
- The frame ends before the IPv6 header (40 bytes) or extension header (as given in the corresponding Header Length field in an extension header) has been completely received. Even when the checksum offload detects such an IP header error, it inserts an IPv4 header checksum if the Ethernet Type field indicates an IPv4 payload.

- TCP/UDP/ICMP checksum

The TCP/UDP/ICMP checksum processes the IPv4 or IPv6 header (including extension headers) and determines whether the encapsulated payload is TCP, UDP or ICMP.

Note that:

- a) For non-TCP, -UDP, or -ICMP/ICMPv6 payloads, this checksum is bypassed and nothing further is modified in the frame.
- b) Fragmented IP frames (IPv4 or IPv6), IP frames with security features (such as an authentication header or encapsulated security payload), and IPv6 frames with routing headers are bypassed and not processed by the checksum.

The checksum is calculated for the TCP, UDP, or ICMP payload and inserted into its corresponding field in the header. It can work in the following two modes:

- In the first mode, the TCP, UDP, or ICMPv6 pseudo-header is not included in the checksum calculation and is assumed to be present in the input frame's checksum field. The checksum field is included in the checksum calculation, and then replaced by the final calculated checksum.
- In the second mode, the checksum field is ignored, the TCP, UDP, or ICMPv6 pseudo-header data are included into the checksum calculation, and the checksum field is overwritten with the final calculated value.

Note that: for ICMP-over-IPv4 packets, the checksum field in the ICMP packet must always be 0x0000 in both modes, because pseudo-headers are not defined for such packets. If it does not equal 0x0000, an incorrect checksum may be inserted into the packet.

The result of this operation is indicated by the payload checksum error status bit in the Transmit Status vector (bit 12). The payload checksum error status bit is set when either of the following is detected:

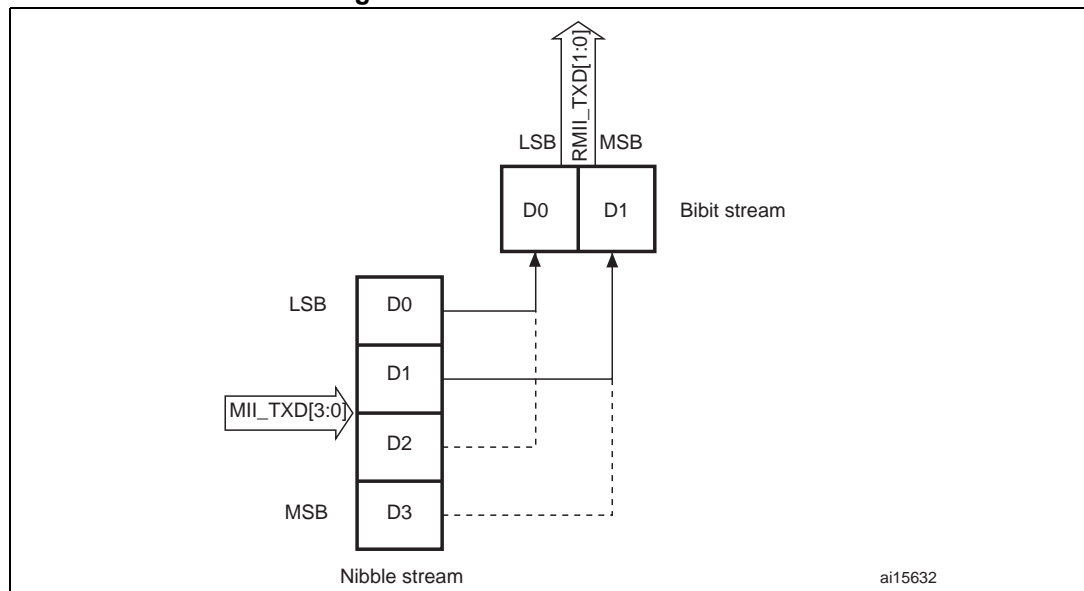
- the frame has been forwarded to the MAC transmitter in Store-and-forward mode without the end of frame being written to the FIFO
- the packet ends before the number of bytes indicated by the payload length field in the IP header is received.

When the packet is longer than the indicated payload length, the bytes are ignored as stuff bytes, and no error is reported. When the first type of error is detected, the TCP, UDP or ICMP header is not modified. For the second error type, still, the calculated checksum is inserted into the corresponding header field.

MII/RMII transmit bit order

Each nibble from the MII is transmitted on the RMII a dibit at a time with the order of dibit transmission shown in *Figure 325*. Lower order bits (D1 and D0) are transmitted first followed by higher order bits (D2 and D3).

Figure 325. Transmission bit order



MII/RMII transmit timing diagrams

Figure 326. Transmission with no collision

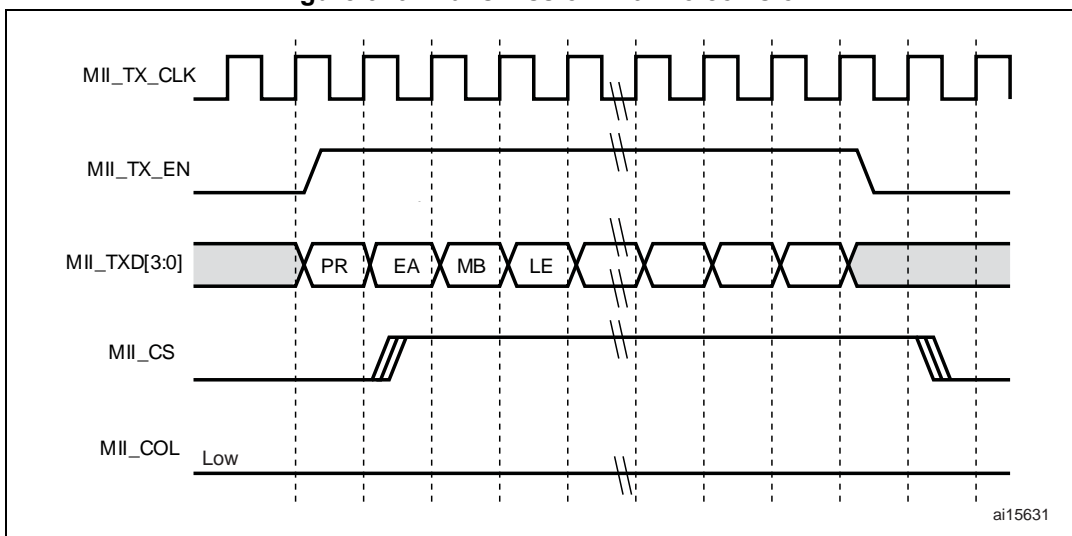


Figure 327. Transmission with collision

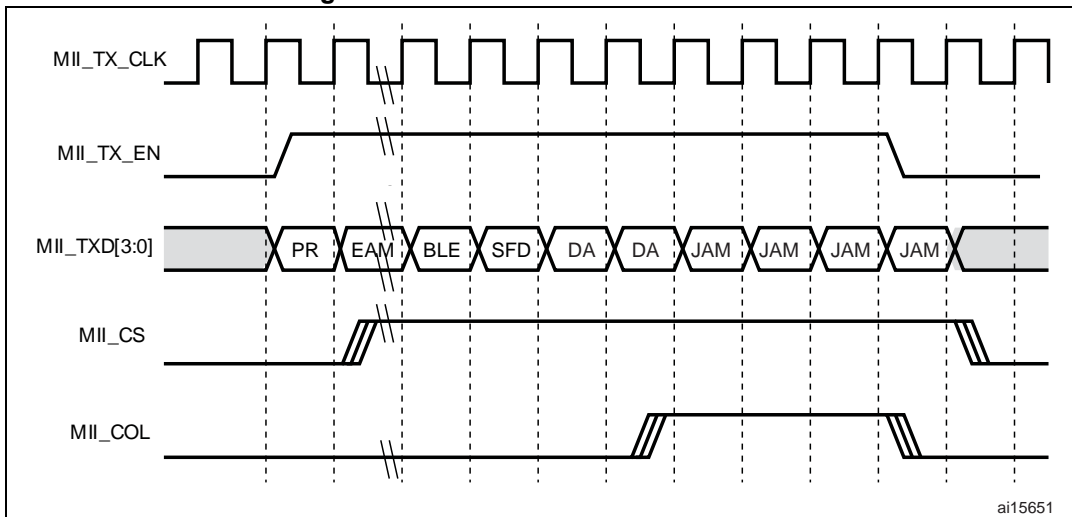
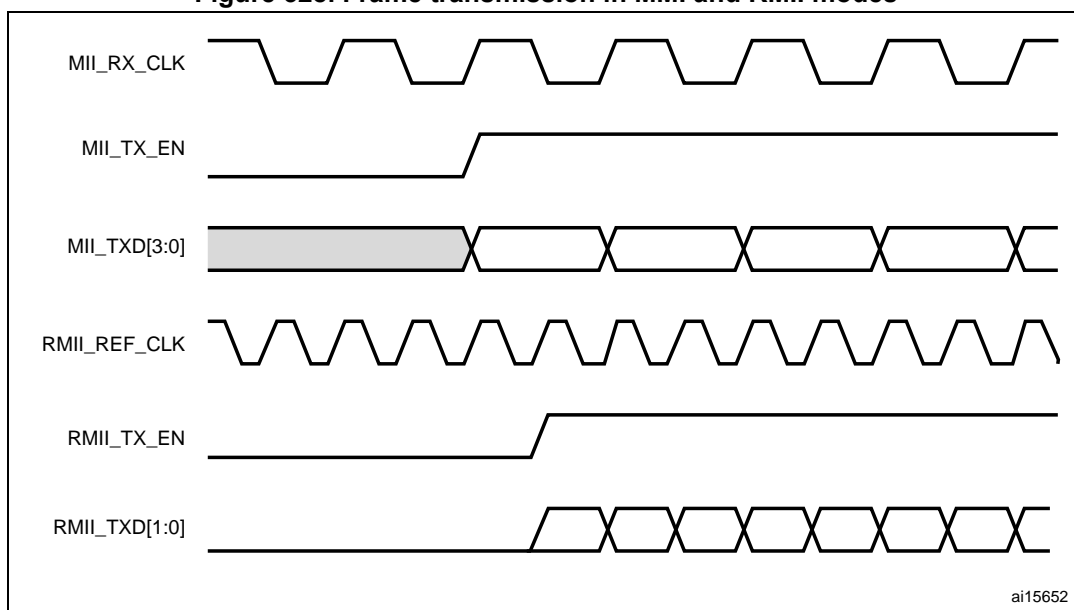


Figure 328 shows a frame transmission in MII and RMII.

Figure 328. Frame transmission in MMI and RMII modes



28.5.3 MAC frame reception

The MAC received frames are pushed into the Rx FIFO. The status (fill level) of this FIFO is indicated to the DMA once it crosses the configured receive threshold (RTC in the ETH_DMAOMR register) so that the DMA can initiate pre-configured burst transfers towards the AHB interface.

In the default Cut-through mode, when 64 bytes (configured with the RTC bits in the ETH_DMAOMR register) or a full packet of data are received into the FIFO, the data are popped out and the DMA is notified of its availability. Once the DMA has initiated the transfer to the AHB interface, the data transfer continues from the FIFO until a complete packet has been transferred. Upon completion of the EOF frame transfer, the status word is popped out and sent to the DMA controller.

In Rx FIFO Store-and-forward mode (configured by the RSF bit in the ETH_DMAOMR register), a frame is read only after being written completely into the Receive FIFO. In this mode, all error frames are dropped (if the core is configured to do so) such that only valid frames are read and forwarded to the application. In Cut-through mode, some error frames are not dropped, because the error status is received at the end of the frame, by which time the start of that frame has already been read of the FIFO.

A receive operation is initiated when the MAC detects an SFD on the MII. The core strips the preamble and SFD before proceeding to process the frame. The header fields are checked for the filtering and the FCS field used to verify the CRC for the frame. The frame is dropped in the core if it fails the address filter.

Receive protocol

The received frame preamble and SFD are stripped. Once the SFD has been detected, the MAC starts sending the Ethernet frame data to the receive FIFO, beginning with the first byte following the SFD (destination address). If IEEE 1588 time stamping is enabled, a snapshot of the system time is taken when any frame's SFD is detected on the MII. Unless the MAC filters out and drops the frame, this time stamp is passed on to the application.

If the received frame length/type field is less than 0x600 and if the MAC is programmed for the auto CRC/pad stripping option, the MAC sends the data of the frame to Rx FIFO up to the count specified in the length/type field, then starts dropping bytes (including the FCS field). If the Length/Type field is greater than or equal to 0x600, the MAC sends all received Ethernet frame data to Rx FIFO, regardless of the value on the programmed auto-CRC strip option. The MAC watchdog timer is enabled by default, that is, frames above 2048 bytes (DA + SA + LT + Data + pad + FCS) are cut off. This feature can be disabled by programming the watchdog disable (WD) bit in the MAC configuration register. However, even if the watchdog timer is disabled, frames greater than 16 KB in size are cut off and a watchdog timeout status is given.

Receive CRC: automatic CRC and pad stripping

The MAC checks for any CRC error in the receiving frame. It calculates the 32-bit CRC for the received frame that includes the Destination address field through the FCS field. The encoding is defined by the following polynomial.

$$G(x) = x^{32} + x^{26} + x^{23} + x^{22} + x^{16} + x^{12} + x^{11} + x^{10} + x^8 + x^7 + x^5 + x^4 + x^2 + x + 1$$

Regardless of the auto-pad/CRC strip, the MAC receives the entire frame to compute the CRC check for the received frame.

Receive checksum offload

Both IPv4 and IPv6 frames in the received Ethernet frames are detected and processed for data integrity. You can enable the receive checksum offload by setting the IPCO bit in the ETH_MACCR register. The MAC receiver identifies IPv4 or IPv6 frames by checking for value 0x0800 or 0x86DD, respectively, in the received Ethernet frame Type field. This identification applies to VLAN-tagged frames as well. The receive checksum offload calculates IPv4 header checksums and checks that they match the received IPv4 header checksums. The IP Header Error bit is set for any mismatch between the indicated payload type (Ethernet Type field) and the IP header version, or when the received frame does not have enough bytes, as indicated by the IPv4 header's Length field (or when fewer than 20 bytes are available in an IPv4 or IPv6 header). The receive checksum offload also identifies a TCP, UDP or ICMP payload in the received IP datagrams (IPv4 or IPv6) and calculates the checksum of such payloads properly, as defined in the TCP, UDP or ICMP specifications. It includes the TCP/UDP/ICMPv6 pseudo-header bytes for checksum calculation and checks whether the received checksum field matches the calculated value. The result of this operation is given as a Payload Checksum Error bit in the receive status word. This status bit is also set if the length of the TCP, UDP or ICMP payload does not match the expected payload length given in the IP header. As mentioned in [TCP/UDP/ICMP checksum](#), the receive checksum offload bypasses the payload of fragmented IP datagrams, IP datagrams with security features, IPv6 routing headers, and payloads other than TCP, UDP or ICMP. This information (whether the checksum is bypassed or not) is given in the receive status, as described in the [RDES0: Receive descriptor Word0](#) section. In this configuration, the core does not append any payload checksum bytes to the received Ethernet frames.

As mentioned in [RDES0: Receive descriptor Word0](#), the meaning of certain register bits changes as shown in [Table 143](#).

Table 143. Frame statuses

Bit 18: Ethernet frame	Bit 27: Header checksum error	Bit 28: Payload checksum error	Frame status
0	0	0	The frame is an IEEE 802.3 frame (Length field value is less than 0x0600).
1	0	0	IPv4/IPv6 Type frame in which no checksum error is detected.
1	0	1	IPv4/IPv6 Type frame in which a payload checksum error (as described for PCE) is detected
1	1	0	IPv4/IPv6 Type frame in which IP header checksum error (as described for IPCO HCE) is detected.
1	1	1	IPv4/IPv6 Type frame in which both PCE and IPCO HCE are detected.
0	0	1	IPv4/IPv6 Type frame in which there is no IP HCE and the payload check is bypassed due to unsupported payload.
0	1	1	Type frame which is neither IPv4 or IPv6 (checksum offload bypasses the checksum check completely)
0	1	0	Reserved

Receive frame controller

If the RA bit is reset in the MAC CSR frame filter register, the MAC performs frame filtering based on the destination/source address (the application still needs to perform another level of filtering if it decides not to receive any bad frames like runt, CRC error frames, etc.). On detecting a filter-fail, the frame is dropped and not transferred to the application. When the filtering parameters are changed dynamically, and in case of (DA-SA) filter-fail, the rest of the frame is dropped and the Rx Status Word is immediately updated (with zero frame length, CRC error and Runt Error bits set), indicating the filter fail. In Ethernet power down mode, all received frames are dropped, and are not forwarded to the application.

Receive flow control

The MAC detects the receiving Pause frame and pauses the frame transmission for the delay specified within the received Pause frame (only in Full-duplex mode). The Pause frame detection function can be enabled or disabled with the RFCE bit in ETH_MACFCR. Once receive flow control has been enabled, the received frame destination address begins to be monitored for any match with the multicast address of the control frame (0x0180 C200 0001). If a match is detected (the destination address of the received frame matches the reserved control frame destination address), the MAC then decides whether or not to transfer the received control frame to the application, based on the level of the PCF bit in ETH_MACFFR.

The MAC also decodes the type, opcode, and Pause Timer fields of the receiving control frame. If the byte count of the status indicates 64 bytes, and if there is no CRC error, the MAC transmitter pauses the transmission of any data frame for the duration of the decoded Pause time value, multiplied by the slot time (64 byte times for both 10/100 Mbit/s modes).

Meanwhile, if another Pause frame is detected with a zero Pause time value, the MAC resets the Pause time and manages this new pause request.

If the received control frame matches neither the type field (0x8808), the opcode (0x00001), nor the byte length (64 bytes), or if there is a CRC error, the MAC does not generate a Pause.

In the case of a pause frame with a multicast destination address, the MAC filters the frame based on the address match.

For a pause frame with a unicast destination address, the MAC filtering depends on whether the DA matched the contents of the MAC address 0 register and whether the UPDF bit in ETH_MACFCR is set (detecting a pause frame even with a unicast destination address). The PCF register bits (bits [7:6] in ETH_MACFFR) control filtering for control frames in addition to address filtering.

Receive operation multiframe handling

Since the status is available immediately following the data, the FIFO is capable of storing any number of frames into it, as long as it is not full.

Error handling

If the Rx FIFO is full before it receives the EOF data from the MAC, an overflow is declared and the whole frame is dropped, and the overflow counter in the (ETH_DMAMFBOCR register) is incremented. The status indicates a partial frame due to overflow. The Rx FIFO can filter error and undersized frames, if enabled (using the FEF and FUGF bits in ETH_DMAOMR).

If the Receive FIFO is configured to operate in Store-and-forward mode, all error frames can be filtered and dropped.

In Cut-through mode, if a frame's status and length are available when that frame's SOF is read from the Rx FIFO, then the complete erroneous frame can be dropped. The DMA can flush the error frame being read from the FIFO, by enabling the receive frame flash bit. The data transfer to the application (DMA) is then stopped and the rest of the frame is internally read and dropped. The next frame transfer can then be started, if available.

Receive status word

At the end of the Ethernet frame reception, the MAC outputs the receive status to the application (DMA). The detailed description of the receive status is the same as for bits[31:0] in RDES0, given in [RDES0: Receive descriptor Word0](#).

Frame length interface

In case of switch applications, data transmission and reception between the application and MAC happen as complete frame transfers. The application layer should be aware of the length of the frames received from the ingress port in order to transfer the frame to the egress port. The MAC core provides the frame length of each received frame inside the status at the end of each frame reception.

Note: A frame length value of 0 is given for partial frames written into the Rx FIFO due to overflow.

MII/RMII receive bit order

Each nibble is transmitted to the MII from the dibit received from the RMII in the nibble transmission order shown in [Figure 329](#). The lower-order bits (D0 and D1) are received first, followed by the higher-order bits (D2 and D3).

Figure 329. Receive bit order

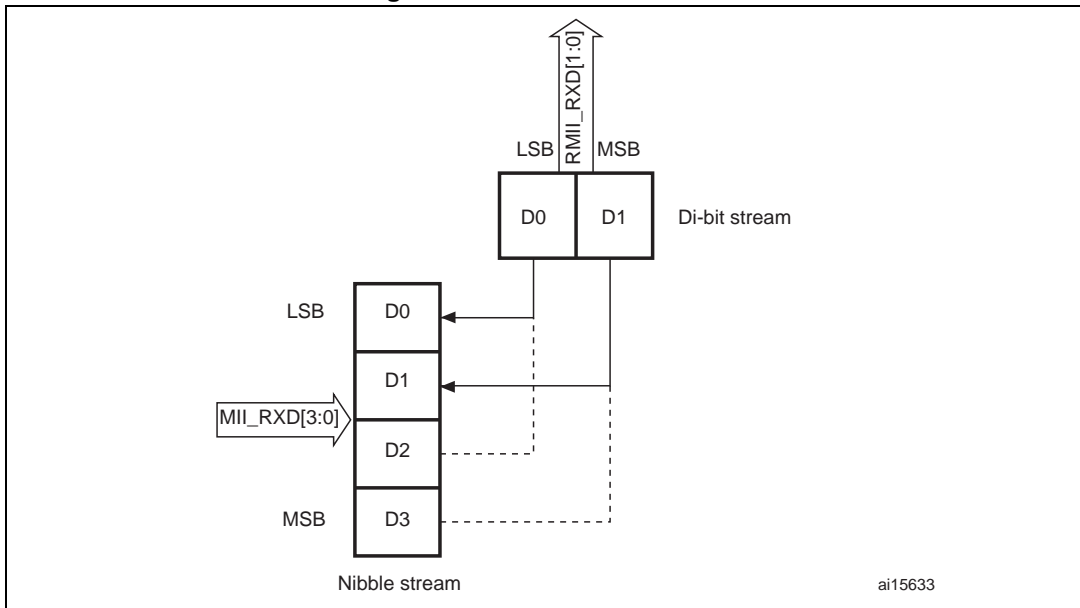


Figure 330. Reception with no error

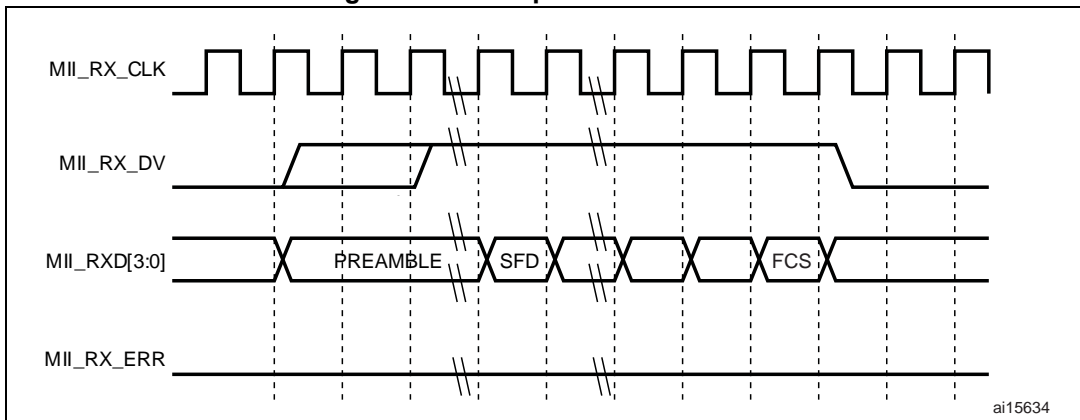


Figure 331. Reception with errors

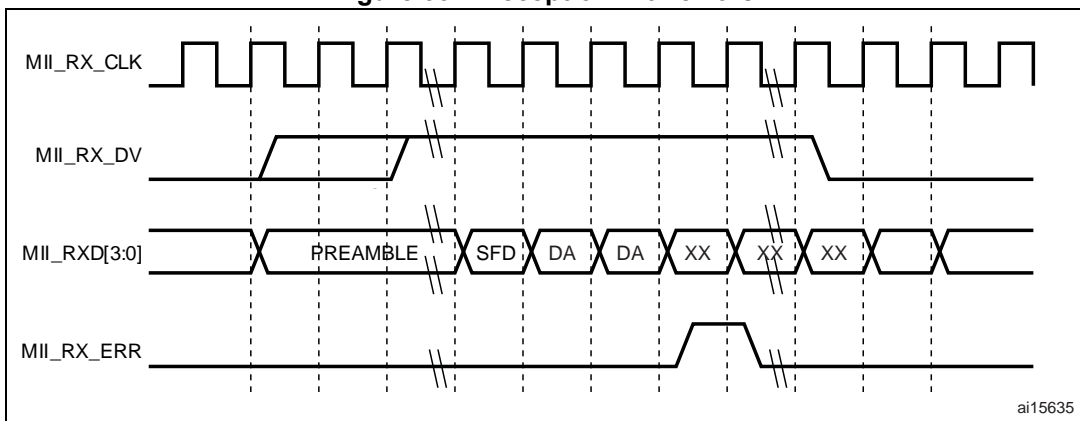
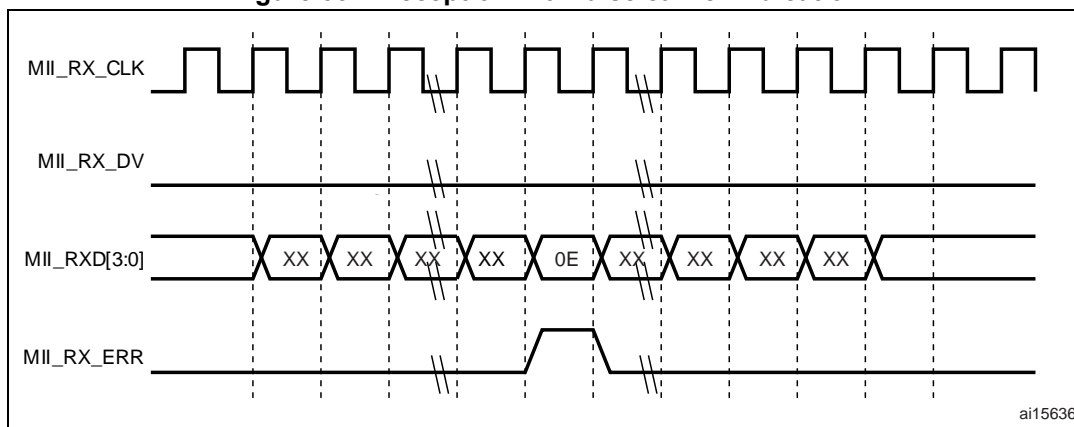


Figure 332. Reception with false carrier indication



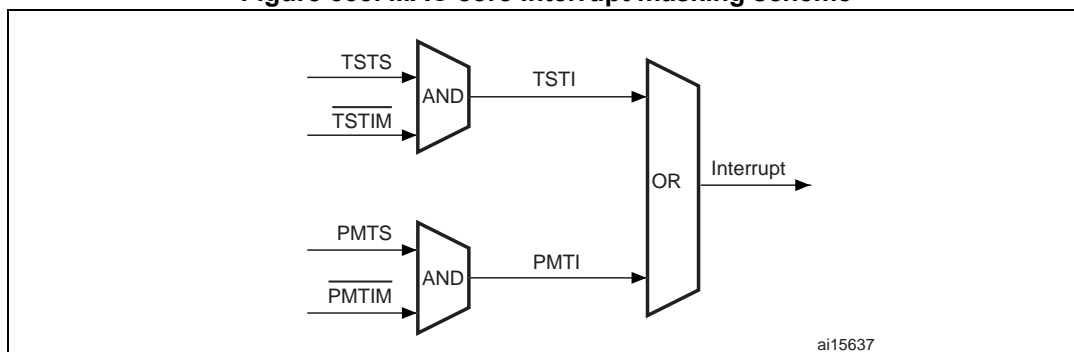
28.5.4 MAC interrupts

Interrupts can be generated from the MAC core as a result of various events.

The ETH_MACSR register describes the events that can cause an interrupt from the MAC core. You can prevent each event from asserting the interrupt by setting the corresponding mask bits in the Interrupt Mask register.

The interrupt register bits only indicate the block from which the event is reported. You have to read the corresponding status registers and other registers to clear the interrupt. For example, bit 3 of the Interrupt register, set high, indicates that the Magic packet or Wake-on-LAN frame is received in Power-down mode. You must read the ETH_MACPMTCSR register to clear this interrupt event.

Figure 333. MAC core interrupt masking scheme



28.5.5 MAC filtering

Address filtering

Address filtering checks the destination and source addresses on all received frames and the address filtering status is reported accordingly. Address checking is based on different parameters (Frame filter register) chosen by the application. The filtered frame can also be identified: multicast or broadcast frame.

Address filtering uses the station's physical (MAC) address and the Multicast Hash table for address checking purposes.

Unicast destination address filter

The MAC supports up to 4 MAC addresses for unicast perfect filtering. If perfect filtering is selected (HU bit in the Frame filter register is reset), the MAC compares all 48 bits of the received unicast address with the programmed MAC address for any match. Default MacAddr0 is always enabled, other addresses MacAddr1–MacAddr3 are selected with an individual enable bit. Each byte of these other addresses (MacAddr1–MacAddr3) can be masked during comparison with the corresponding received DA byte by setting the corresponding Mask Byte Control bit in the register. This helps group address filtering for the DA. In Hash filtering mode (when HU bit is set), the MAC performs imperfect filtering for unicast addresses using a 64-bit Hash table. For hash filtering, the MAC uses the 6 upper CRC (see note 1 below) bits of the received destination address to index the content of the Hash table. A value of 000000 selects bit 0 in the selected register, and a value of 111111 selects bit 63 in the Hash Table register. If the corresponding bit (indicated by the 6-bit CRC) is set to 1, the unicast frame is said to have passed the Hash filter; otherwise, the frame has failed the Hash filter.

Note: This CRC is a 32-bit value coded by the following polynomial (for more details refer to [Section 28.5.3](#)):

$$G(x) = x^{32} + x^{26} + x^{23} + x^{22} + x^{16} + x^{12} + x^{11} + x^{10} + x^8 + x^7 + x^5 + x^4 + x^2 + x + 1$$

Multicast destination address filter

The MAC can be programmed to pass all multicast frames by setting the PAM bit in the Frame filter register. If the PAM bit is reset, the MAC performs the filtering for multicast addresses based on the HM bit in the Frame filter register. In Perfect filtering mode, the multicast address is compared with the programmed MAC destination address registers (1–3). Group address filtering is also supported. In Hash filtering mode, the MAC performs imperfect filtering using a 64-bit Hash table. For hash filtering, the MAC uses the 6 upper CRC (see note 1 below) bits of the received multicast address to index the content of the Hash table. A value of 000000 selects bit 0 in the selected register and a value of 111111 selects bit 63 in the Hash Table register. If the corresponding bit is set to 1, then the multicast frame is said to have passed the Hash filter; otherwise, the frame has failed the Hash filter.

Note: This CRC is a 32-bit value coded by the following polynomial (for more details refer to [Section 28.5.3](#)):

$$G(x) = x^{32} + x^{26} + x^{23} + x^{22} + x^{16} + x^{12} + x^{11} + x^{10} + x^8 + x^7 + x^5 + x^4 + x^2 + x + 1$$

Hash or perfect address filter

The DA filter can be configured to pass a frame when its DA matches either the Hash filter or the Perfect filter by setting the HPF bit in the Frame filter register and setting the corresponding HU or HM bits. This configuration applies to both unicast and multicast frames. If the HPF bit is reset, only one of the filters (Hash or Perfect) is applied to the received frame.

Broadcast address filter

The MAC does not filter any broadcast frames in the default mode. However, if the MAC is programmed to reject all broadcast frames by setting the BFD bit in the Frame filter register, any broadcast frames are dropped.

Unicast source address filter

The MAC can also perform perfect filtering based on the source address field of the received frames. By default, the MAC compares the SA field with the values programmed in the SA registers. The MAC address registers [1:3] can be configured to contain SA instead of DA for comparison, by setting bit 30 in the corresponding register. Group filtering with SA is also supported. The frames that fail the SA filter are dropped by the MAC if the SAF bit in the Frame filter register is set. Otherwise, the result of the SA filter is given as a status bit in the Receive Status word (see [RDES0: Receive descriptor Word0](#)).

When the SAF bit is set, the result of the SA and DA filters is AND'ed to decide whether the frame needs to be forwarded. This means that either of the filter fail result drops the frame. Both filters have to pass the frame for the frame to be forwarded to the application.

Inverse filtering operation

For both destination and source address filtering, there is an option to invert the filter-match result at the final output. These are controlled by the DAIF and SAIF bits in the Frame filter register, respectively. The DAIF bit is applicable for both Unicast and Multicast DA frames. The result of the unicast/multicast destination address filter is inverted in this mode. Similarly, when the SAIF bit is set, the result of the unicast SA filter is inverted. [Table 144](#) and [Table 145](#) summarize destination and source address filtering based on the type of frame received.

Table 144. Destination address filtering

Frame type	PM	HPF	HU	DAIF	HM	PAM	DB	DA filter operation
Broadcast	1	X	X	X	X	X	X	Pass
	0	X	X	X	X	X	0	Pass
	0	X	X	X	X	X	1	Fail
Unicast	1	X	X	X	X	X	X	Pass all frames
	0	X	0	0	X	X	X	Pass on perfect/group filter match
	0	X	0	1	X	X	X	Fail on perfect/Group filter match
	0	0	1	0	X	X	X	Pass on hash filter match
	0	0	1	1	X	X	X	Fail on hash filter match
	0	1	1	0	X	X	X	Pass on hash or perfect/Group filter match
	0	1	1	1	X	X	X	Fail on hash or perfect/Group filter match

Table 144. Destination address filtering

Frame type	PM	HPF	HU	DAIF	HM	PAM	DB	DA filter operation
Multicast	1	X	X	X	X	X	X	Pass all frames
	X	X	X	X	X	1	X	Pass all frames
	0	X	X	0	0	0	X	Pass on Perfect/Group filter match and drop PAUSE control frames if PCF = 0x
	0	0	X	0	1	0	X	Pass on hash filter match and drop PAUSE control frames if PCF = 0x
	0	1	X	0	1	0	X	Pass on hash or perfect/Group filter match and drop PAUSE control frames if PCF = 0x
	0	X	X	1	0	0	X	Fail on perfect/Group filter match and drop PAUSE control frames if PCF = 0x
	0	0	X	1	1	0	X	Fail on hash filter match and drop PAUSE control frames if PCF = 0x
	0	1	X	1	1	0	X	Fail on hash or perfect/Group filter match and drop PAUSE control frames if PCF = 0x

Table 145. Source address filtering

Frame type	PM	SAIF	SAF	SA filter operation
Unicast	1	X	X	Pass all frames
	0	0	0	Pass status on perfect/Group filter match but do not drop frames that fail
	0	1	0	Fail status on perfect/group filter match but do not drop frame
	0	0	1	Pass on perfect/group filter match and drop frames that fail
	0	1	1	Fail on perfect/group filter match and drop frames that fail

28.5.6 MAC loopback mode

The MAC supports loopback of transmitted frames onto its receiver. By default, the MAC loopback function is disabled, but this feature can be enabled by programming the Loopback bit in the MAC ETH_MACCCR register.

28.5.7 MAC management counters: MMC

The MAC management counters (MMC) maintain a set of registers for gathering statistics on the received and transmitted frames. These include a control register for controlling the behavior of the registers, two 32-bit registers containing generated interrupts (receive and transmit), and two 32-bit registers containing masks for the Interrupt register (receive and transmit). These registers are accessible from the application. Each register is 32 bits wide.

[Section 28.8](#) describes the various counters and lists the addresses of each of the statistics counters. This address is used for read/write accesses to the desired transmit/receive counter.



The Receive MMC counters are updated for frames that pass address filtering. Dropped frames statistics are not updated unless the dropped frames are runt frames of less than 6 bytes (DA bytes are not received fully).

Good transmitted and received frames

Transmitted frames are considered “good” if transmitted successfully. In other words, a transmitted frame is good if the frame transmission is not aborted due to any of the following errors:

- + Jabber Timeout
- + No Carrier/Loss of Carrier
- + Late Collision
- + Frame Underflow
- + Excessive Deferral
- + Excessive Collision

Received frames are considered “good” if none of the following errors exists:

- + CRC error
- + Runt Frame (shorter than 64 bytes)
- + Alignment error (in 10/ 100 Mbit/s only)
- + Length error (non-Type frames only)
- + Out of Range (non-Type frames only, longer than maximum size)
- + MII_RXER Input error

The maximum frame size depends on the frame type, as follows:

- + Untagged frame maxsize = 1518
- + VLAN Frame maxsize = 1522

28.5.8 Power management: PMT

This section describes the power management (PMT) mechanisms supported by the MAC. PMT supports the reception of network (remote) wake-up frames and Magic Packet frames. PMT generates interrupts for wake-up frames and Magic Packets received by the MAC. The PMT block is enabled with remote wake-up frame enable and Magic Packet enable. These enable bits (WFE and MPE) are in the ETH_MACPMTCSR register and are programmed by the application. When the power down mode is enabled in the PMT, then all received frames are dropped by the MAC and they are not forwarded to the application. The MAC comes out of the power down mode only when either a Magic Packet or a Remote wake-up frame is received and the corresponding detection is enabled.

Remote wake-up frame filter register

There are eight wake-up frame filter registers. To write on each of them, load the wake-up frame filter register value by value. The wanted values of the wake-up frame filter are loaded by sequentially loading eight times the wake-up frame filter register. The read operation is identical to the write operation. To read the eight values, you have to read eight times the wake-up frame filter register to reach the last register. Each read/write points the wake-up frame filter register to the next filter register.

Figure 334. Wake-up frame filter register

Wakeup frame filter reg0	Filter 0 Byte Mask							
Wakeup frame filter reg1	Filter 1 Byte Mask							
Wakeup frame filter reg2	Filter 2 Byte Mask							
Wakeup frame filter reg3	Filter 3 Byte Mask							
Wakeup frame filter reg4	RSVD	Filter 3 Command	RSVD	Filter 2 Command	RSVD	Filter 1 Command	RSVD	Filter 0 Command
Wakeup frame filter reg5	Filter 3 Offset		Filter 2 Offset		Filter 1 Offset		Filter 0 Offset	
Wakeup frame filter reg6	Filter 1 CRC - 16				Filter 0 CRC - 16			
Wakeup frame filter reg7	Filter 3 CRC - 16				Filter 2 CRC - 16			

ai15647

- **Filter i Byte Mask**
This register defines which bytes of the frame are examined by filter i (0, 1, 2, and 3) in order to determine whether or not the frame is a wake-up frame. The MSB (thirty-first bit) must be zero. Bit j [30:0] is the Byte Mask. If bit j (byte number) of the Byte Mask is set, then Filter i Offset + j of the incoming frame is processed by the CRC block; otherwise Filter i Offset + j is ignored.
- **Filter i Command**
This 4-bit command controls the filter i operation. Bit 3 specifies the address type, defining the pattern's destination address type. When the bit is set, the pattern applies to only multicast frames. When the bit is reset, the pattern applies only to unicast frames. Bit 2 and bit 1 are reserved. Bit 0 is the enable bit for filter i; if bit 0 is not set, filter i is disabled.
- **Filter i Offset**
This register defines the offset (within the frame) from which the frames are examined by filter i. This 8-bit pattern offset is the offset for the filter i first byte to be examined. The minimum allowed is 12, which refers to the 13th byte of the frame (offset value 0 refers to the first byte of the frame).
- **Filter i CRC-16**
This register contains the CRC_16 value calculated from the pattern, as well as the byte mask programmed to the wake-up filter register block.

Remote wake-up frame detection

When the MAC is in sleep mode and the remote wake-up bit is enabled in the ETH_MACPMTCSR register, normal operation is resumed after receiving a remote wake-up frame. The application writes all eight wake-up filter registers, by performing a sequential write to the wake-up frame filter register address. The application enables remote wake-up by writing a 1 to bit 2 in the ETH_MACPMTCSR register. PMT supports four programmable filters that provide different receive frame patterns. If the incoming frame passes the address filtering of Filter Command, and if Filter CRC-16 matches the incoming examined pattern, then the wake-up frame is received. Filter_offset (minimum value 12, which refers to the 13th byte of the frame) determines the offset from which the frame is to be examined. Filter Byte Mask determines which bytes of the frame must be examined. The thirty-first bit of Byte Mask must be set to zero. The wake-up frame is checked only for length error, FCS error, dribble bit error, MII error, collision, and to ensure that it is not a runt frame. Even if the wake-up frame is more than 512 bytes long, if the frame has a valid CRC value, it is considered valid. Wake-up frame detection is updated in the ETH_MACPMTCSR register for every remote wake-up frame received. If enabled, a PMT interrupt is generated to indicate the reception of a remote wake-up frame.

Magic packet detection

The Magic Packet frame is based on a method that uses Advanced Micro Device's Magic Packet technology to power up the sleeping device on the network. The MAC receives a specific packet of information, called a Magic Packet, addressed to the node on the network. Only Magic Packets that are addressed to the device or a broadcast address are checked to determine whether they meet the wake-up requirements. Magic Packets that pass address filtering (unicast or broadcast) are checked to determine whether they meet the remote Wake-on-LAN data format of 6 bytes of all ones followed by a MAC address appearing 16 times. The application enables Magic Packet wake-up by writing a 1 to bit 1 in the ETH_MACPMTCSR register. The PMT block constantly monitors each frame addressed to

the node for a specific Magic Packet pattern. Each received frame is checked for a 0xFFFF FFFF FFFF pattern following the destination and source address field. The PMT block then checks the frame for 16 repetitions of the MAC address without any breaks or interruptions. In case of a break in the 16 repetitions of the address, the 0xFFFF FFFF FFFF pattern is scanned for again in the incoming frame. The 16 repetitions can be anywhere in the frame, but must be preceded by the synchronization stream (0xFFFF FFFF FFFF). The device also accepts a multicast frame, as long as the 16 duplications of the MAC address are detected. If the MAC address of a node is 0x0011 2233 4455, then the MAC scans for the data sequence:

```
Destination address source address ..... FFFF FFFF FFFF
0011 2233 4455 0011 2233 4455 0011 2233 4455 0011 2233 4455
0011 2233 4455 0011 2233 4455 0011 2233 4455 0011 2233 4455
0011 2233 4455 0011 2233 4455 0011 2233 4455 0011 2233 4455
0011 2233 4455 0011 2233 4455 0011 2233 4455 0011 2233 4455
...CRC
```

Magic Packet detection is updated in the ETH_MACPMTCSR register for received Magic Packet. If enabled, a PMT interrupt is generated to indicate the reception of a Magic Packet.

System consideration during power-down

The Ethernet PMT block is able to detect frames while the system is in the Stop mode, provided that the EXTI line 19 is enabled.

The MAC receiver state machine should remain enabled during the power-down mode. This means that the RE bit has to remain set in the ETH_MACCCR register because it is involved in magic packet/ wake-on-LAN frame detection. The transmit state machine should however be turned off during the power-down mode by clearing the TE bit in the ETH_MACCCR register. Moreover, the Ethernet DMA should be disabled during the power-down mode, because it is not necessary to copy the magic packet/wake-on-LAN frame into the SRAM. To disable the Ethernet DMA, clear the ST bit and the SR bit (for the transmit DMA and the receive DMA, respectively) in the ETH_DMAOMR register.

The recommended power-down and wake-up sequences are as follows:

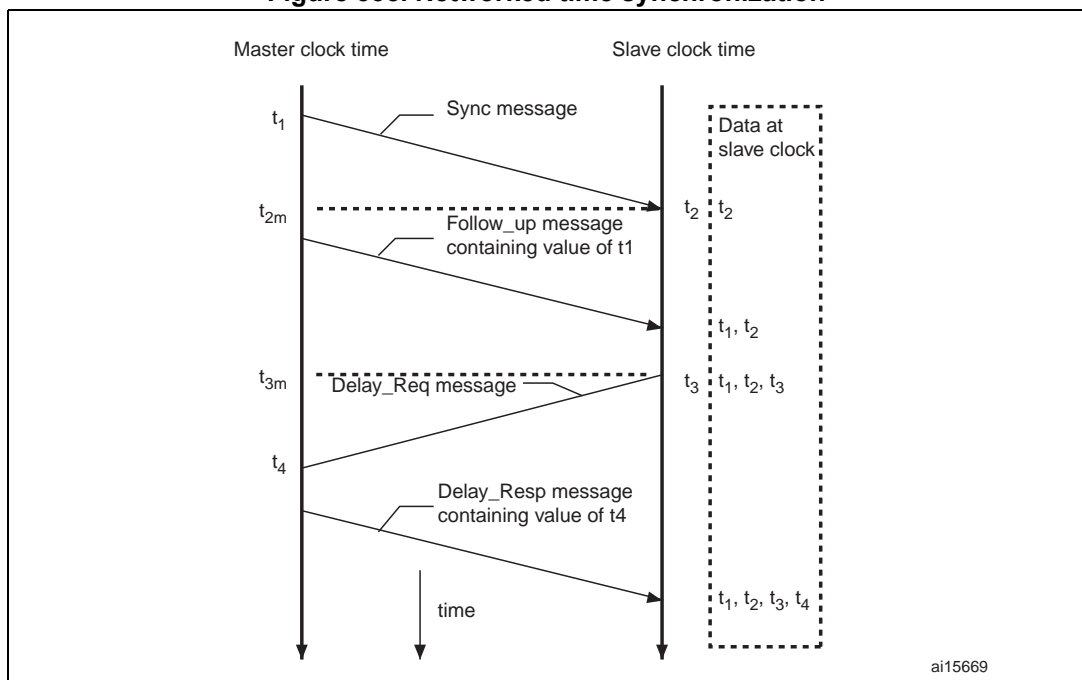
1. Disable the transmit DMA and wait for any previous frame transmissions to complete. These transmissions can be detected when the transmit interrupt ETH_DMASR register[0] is received.
2. Disable the MAC transmitter and MAC receiver by clearing the RE and TE bits in the ETH_MACCCR configuration register.
3. Wait for the receive DMA to have emptied all the frames in the Rx FIFO.
4. Disable the receive DMA.
5. Configure and enable the EXTI line 19 to generate either an event or an interrupt.
6. If you configure the EXTI line 19 to generate an interrupt, you also have to correctly configure the ETH_WKUP_IRQ Handler function, which should clear the pending bit of the EXTI line 19.
7. Enable Magic packet/Wake-on-LAN frame detection by setting the MFE/ WFE bit in the ETH_MACPMTCSR register.
8. Enable the MAC power-down mode, by setting the PD bit in the ETH_MACPMTCSR register.
9. Enable the MAC Receiver by setting the RE bit in the ETH_MACCCR register.

10. Enter the system's Stop mode (for more details refer to [Section 4.3.4: Stop mode](#)):
11. On receiving a valid wake-up frame, the Ethernet peripheral exits the power-down mode.
12. Read the ETH_MACPMTCSR to clear the power management event flag, enable the MAC transmitter state machine, and the receive and transmit DMA.
13. Configure the system clock: enable the HSE and set the clocks.

28.5.9 Precision time protocol (IEEE1588 PTP)

The IEEE 1588 standard defines a protocol that allows precise clock synchronization in measurement and control systems implemented with technologies such as network communication, local computing and distributed objects. The protocol applies to systems that communicate by local area networks supporting multicast messaging, including (but not limited to) Ethernet. This protocol is used to synchronize heterogeneous systems that include clocks of varying inherent precision, resolution and stability. The protocol supports system-wide synchronization accuracy in the submicrosecond range with minimum network and local clock computing resources. The message-based protocol, known as the precision time protocol (PTP), is transported over UDP/IP. The system or network is classified into Master and Slave nodes for distributing the timing/clock information. The protocol's technique for synchronizing a slave node to a master node by exchanging PTP messages is described in [Figure 335](#).

Figure 335. Networked time synchronization



1. The master broadcasts PTP Sync messages to all its nodes. The Sync message contains the master's reference time information. The time at which this message

- leaves the master's system is t_1 . For Ethernet ports, this time has to be captured at the MII.
2. A slave receives the Sync message and also captures the exact time, t_2 , using its timing reference.
 3. The master then sends the slave a Follow_up message, which contains the t_1 information for later use.
 4. The slave sends the master a Delay_Req message, noting the exact time, t_3 , at which this frame leaves the MII.
 5. The master receives this message and captures the exact time, t_4 , at which it enters its system.
 6. The master sends the t_4 information to the slave in the Delay_Resp message.
 7. The slave uses the four values of t_1 , t_2 , t_3 , and t_4 to synchronize its local timing reference to the master's timing reference.

Most of the protocol implementation occurs in the software, above the UDP layer. As described above, however, hardware support is required to capture the exact time when specific PTP packets enter or leave the Ethernet port at the MII. This timing information has to be captured and returned to the software for a proper, high-accuracy implementation of PTP.

Reference timing source

To get a snapshot of the time, the core requires a reference time in 64-bit format (split into two 32-bit channels, with the upper 32 bits providing time in seconds, and the lower 32 bits indicating time in nanoseconds) as defined in the IEEE 1588 specification.

The PTP reference clock input is used to internally generate the reference time (also called the System Time) and to capture time stamps. The frequency of this reference clock must be greater than or equal to the resolution of time stamp counter. The synchronization accuracy target between the master node and the slaves is around 100 ns.

The generation, update and modification of the System Time are described in [System Time correction methods](#).

The accuracy depends on the PTP reference clock input period, the characteristics of the oscillator (drift) and the frequency of the synchronization procedure.

Due to the synchronization from the Tx and Rx clock input domain to the PTP reference clock domain, the uncertainty on the time stamp latched value is 1 reference clock period. If we add the uncertainty due to resolution, we add half the period for time stamping.

Transmission of frames with the PTP feature

When a frame's SFD is output on the MII, a time stamp is captured. Frames for which time stamp capture is required are controllable on a per-frame basis. In other words, each transmitted frame can be marked to indicate whether a time stamp must be captured or not for that frame. The transmitted frames are not processed to identify PTP frames. Frame control is exercised through the control bits in the transmit descriptor. Captured time stamps are returned to the application in the same way as the status is provided for frames. The time stamp is sent back along with the Transmit status of the frame, inside the corresponding transmit descriptor, thus connecting the time stamp automatically to the specific PTP frame. The 64-bit time stamp information is written back to the TDES2 and TDES3 fields, with TDES2 holding the time stamp's 32 least significant bits.

Reception of frames with the PTP feature

When the IEEE 1588 time stamping feature is enabled, the Ethernet MAC captures the time stamp of all frames received on the MII. The MAC provides the time stamp as soon as the frame reception is complete. Captured time stamps are returned to the application in the same way as the frame status is provided. The time stamp is sent back along with the Receive status of the frame, inside the corresponding receive descriptor. The 64-bit time stamp information is written back to the RDES2 and RDES3 fields, with RDES2 holding the time stamp's 32 least significant bits.

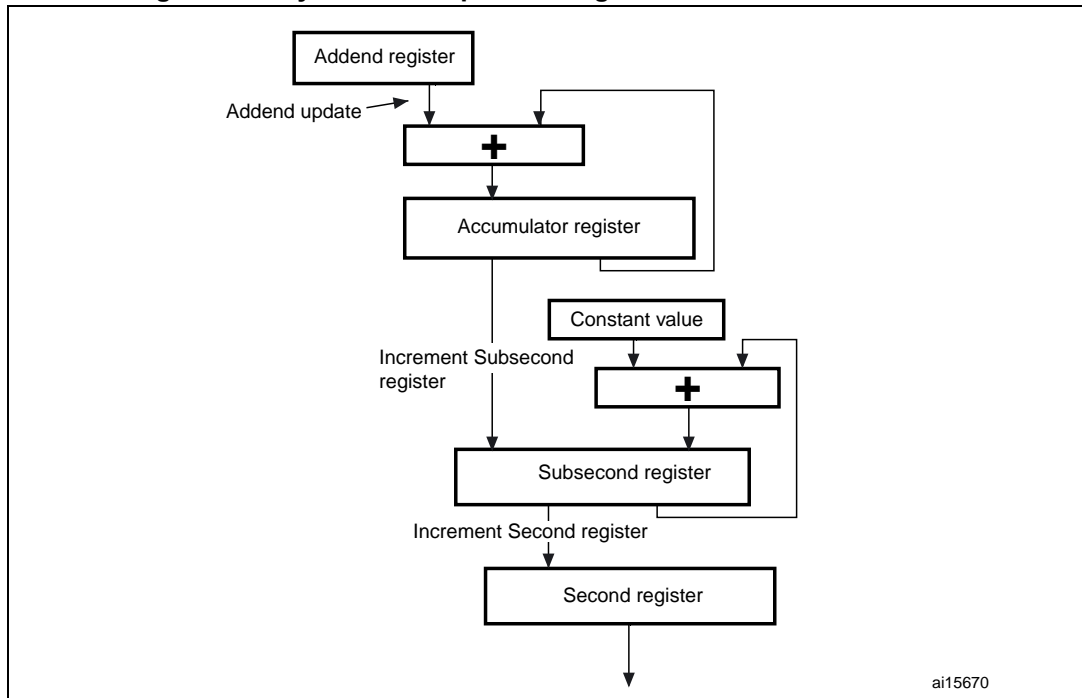
System Time correction methods

The 64-bit PTP time is updated using the PTP input reference clock, HCLK. This PTP time is used as a source to take snapshots (time stamps) of the Ethernet frames being transmitted or received at the MII. The System Time counter can be initialized or corrected using either the Coarse or the Fine correction method.

In the Coarse correction method, the initial value or the offset value is written to the Time stamp update register (refer to [Section 28.8.3](#)). For initialization, the System Time counter is written with the value in the Time stamp update registers, whereas for system time correction, the offset value (Time stamp update register) is added to or subtracted from the system time.

In the Fine correction method, the slave clock (reference clock) frequency drift with respect to the master clock (as defined in IEEE 1588) is corrected over a period of time, unlike in the Coarse correction method where it is corrected in a single clock cycle. The longer correction time helps maintain linear time and does not introduce drastic changes (or a large jitter) in the reference time between PTP Sync message intervals. In this method, an accumulator sums up the contents of the Addend register as shown in [Figure 336](#). The arithmetic carry that the accumulator generates is used as a pulse to increment the system time counter. The accumulator and the addend are 32-bit registers. Here, the accumulator acts as a high-precision frequency multiplier or divider. [Figure 336](#) shows this algorithm.

Figure 336. System time update using the Fine correction method



The system time update logic requires a 50 MHz clock frequency to achieve 20 ns accuracy. The frequency division is the ratio of the reference clock frequency to the required clock frequency. Hence, if the reference clock (HCLK) is, let us say, 66 MHz, the ratio is calculated as 66 MHz/50 MHz = 1.32. Hence, the default addend value to be set in the register is $2^{32}/1.32$, which is equal to 0xC1F0 7C1F.

If the reference clock drifts lower, to 65 MHz for example, the ratio is 65/50 or 1.3 and the value to set in the addend register is $2^{32}/1.30$ equal to 0xC4EC 4EC4. If the clock drifts higher, to 67 MHz for example, the addend register must be set to 0xBF0 B7672. When the clock drift is zero, the default addend value of 0xC1F0 7C1F ($2^{32}/1.32$) should be programmed.

In [Figure 336](#), the constant value used to increment the subsecond register is 0d43. This makes an accuracy of 20 ns in the system time (in other words, it is incremented by 20 ns steps).

The software has to calculate the drift in frequency based on the Sync messages, and to update the Addend register accordingly. Initially, the slave clock is set with FreqCompensationValue0 in the Addend register. This value is as follows:

$$\text{FreqCompensationValue0} = 2^{32} / \text{FreqDivisionRatio}$$

If MasterToSlaveDelay is initially assumed to be the same for consecutive Sync messages, the algorithm described below must be applied. After a few Sync cycles, frequency lock occurs. The slave clock can then determine a precise MasterToSlaveDelay value and re-synchronize with the master using the new value.

The algorithm is as follows:

- At time MasterSyncTime (n) the master sends the slave clock a Sync message. The slave receives this message when its local clock is SlaveClockTime (n) and computes MasterClockTime (n) as:

$$\text{MasterClockTime (n)} = \text{MasterSyncTime (n)} + \text{MasterToSlaveDelay (n)}$$
- The master clock count for current Sync cycle, MasterClockCount (n) is given by:

$$\text{MasterClockCount (n)} = \text{MasterClockTime (n)} - \text{MasterClockTime (n - 1)}$$
 (assuming that MasterToSlaveDelay is the same for Sync cycles n and n - 1)
- The slave clock count for current Sync cycle, SlaveClockCount (n) is given by:

$$\text{SlaveClockCount (n)} = \text{SlaveClockTime (n)} - \text{SlaveClockTime (n - 1)}$$
- The difference between master and slave clock counts for current Sync cycle, ClockDiffCount (n) is given by:

$$\text{ClockDiffCount (n)} = \text{MasterClockCount (n)} - \text{SlaveClockCount (n)}$$
- The frequency-scaling factor for slave clock, FreqScaleFactor (n) is given by:

$$\text{FreqScaleFactor (n)} = (\text{MasterClockCount (n)} + \text{ClockDiffCount (n)}) / \text{SlaveClockCount (n)}$$
- The frequency compensation value for Addend register, FreqCompensationValue (n) is given by:

$$\text{FreqCompensationValue (n)} = \text{FreqScaleFactor (n)} \times \text{FreqCompensationValue (n - 1)}$$

In theory, this algorithm achieves lock in one Sync cycle; however, it may take several cycles, due to changing network propagation delays and operating conditions.

This algorithm is self-correcting: if for any reason the slave clock is initially set to a value from the master that is incorrect, the algorithm corrects it at the cost of more Sync cycles.

Programming steps for system time generation initialization

The time stamping feature can be enabled by setting bit 0 in the Time stamp control register (ETH_PTPTSCR). However, it is essential to initialize the time stamp counter after this bit is set to start time stamp operation. The proper sequence is the following:

1. Mask the Time stamp trigger interrupt by setting bit 9 in the MACIMR register.
2. Program Time stamp register bit 0 to enable time stamping.
3. Program the Subsecond increment register based on the PTP clock frequency.
4. If you are using the Fine correction method, program the Time stamp addend register and set Time stamp control register bit 5 (addend register update).
5. Poll the Time stamp control register until bit 5 is cleared.
6. To select the Fine correction method (if required), program Time stamp control register bit 1.
7. Program the Time stamp high update and Time stamp low update registers with the appropriate time value.
8. Set Time stamp control register bit 2 (Time stamp init).
9. The Time stamp counter starts operation as soon as it is initialized with the value written in the Time stamp update register.
10. Enable the MAC receiver and transmitter for proper time stamping.

Note: If time stamp operation is disabled by clearing bit 0 in the ETH_PTPTSCR register, the above steps must be repeated to restart the time stamp operation.

Programming steps for system time update in the Coarse correction method

To synchronize or update the system time in one process (coarse correction method), perform the following steps:

1. Write the offset (positive or negative) in the Time stamp update high and low registers.
2. Set bit 3 (TSSTU) in the Time stamp control register.
3. The value in the Time stamp update registers is added to or subtracted from the system time when the TSSTU bit is cleared.

Programming steps for system time update in the Fine correction method

To synchronize or update the system time to reduce system-time jitter (fine correction method), perform the following steps:

1. With the help of the algorithm explained in [System Time correction methods](#), calculate the rate by which you want to speed up or slow down the system time increments.
2. Update the time stamp.
3. Wait the time you want the new value of the Addend register to be active. You can do this by activating the Time stamp trigger interrupt after the system time reaches the target value.
4. Program the required target time in the Target time high and low registers. Unmask the Time stamp interrupt by clearing bit 9 in the ETH_MACIMR register.
5. Set Time stamp control register bit 4 (TSARU).
6. When this trigger causes an interrupt, read the ETH_MACCSR register.
7. Reprogram the Time stamp addend register with the old value and set ETH_TPTSCR bit 5 again.

PTP trigger internal connection with TIM2

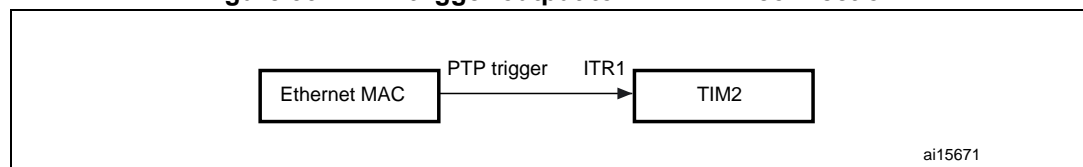
The MAC provides a trigger interrupt when the system time becomes greater than the target time. Using an interrupt introduces a known latency plus an uncertainty in the command execution time.

In order to avoid this uncertainty, a PTP trigger output signal is set high when the system time is greater than the target time. It is internally connected to the TIM2 input trigger. With this signal, the input capture feature, the output compare feature and the waveforms of the timer can be used, triggered by the synchronized PTP system time. No uncertainty is introduced since the clock of the timer (PCLK1: TIM2 APB1 clock) and PTP reference clock (HCLK) are synchronous.

This PTP trigger signal is connected to the TIM2 ITR1 input selectable by software. The connection is enabled through bits 11 and 10 in the TIM2 option register (TIM2_OR).

[Figure 337](#) shows the connection.

Figure 337. PTP trigger output to TIM2 ITR1 connection



PTP pulse-per-second output signal

This PTP pulse output is used to check the synchronization between all nodes in the network. To be able to test the difference between the local slave clock and the master reference clock, both clocks were given a pulse-per-second (PPS) output signal that may be connected to an oscilloscope if necessary. The deviation between the two signals can therefore be measured. The pulse width of the PPS output is 125 ms.

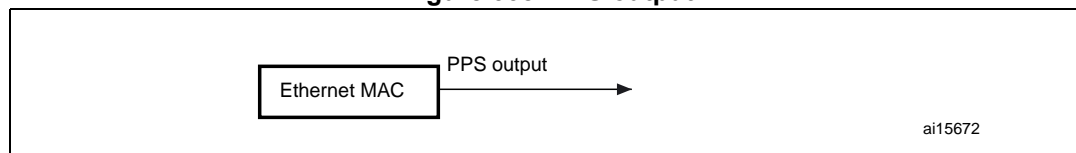
The PPS output is enabled through a GPIO alternate function. (GPIO_AFR register).

The default frequency of the PPS output is 1 Hz. PPSFREQ[3:0] (in ETH_PTPTSCR) can be used to set the frequency of the PPS output to 2^{PPSFREQ} Hz.

When set to 1 Hz, the PPS pulse width is 125 ms with binary rollover (TSSSR=0, bit 9 in ETH_PTPTSCR) and 100 ms with digital rollover (TSSSR=1). When set to 2 Hz and higher, the duty cycle of the PPS output is 50% with binary rollover.

With digital rollover (TSSSR=1), it is recommended not to use the PPS output with a frequency other than 1 Hz as it would have irregular waveforms (though its average frequency would always be correct during any one-second window).

Figure 338. PPS output



28.6 Ethernet functional description: DMA controller operation

The DMA has independent transmit and receive engines, and a CSR space. The transmit engine transfers data from system memory into the Tx FIFO while the receive engine transfers data from the Rx FIFO into system memory. The controller utilizes descriptors to efficiently move data from source to destination with minimum CPU intervention. The DMA is designed for packet-oriented data transfers such as frames in Ethernet. The controller can be programmed to interrupt the CPU in cases such as frame transmit and receive transfer completion, and other normal/error conditions. The DMA and the STM32F20x and STM32F21x communicate through two data structures:

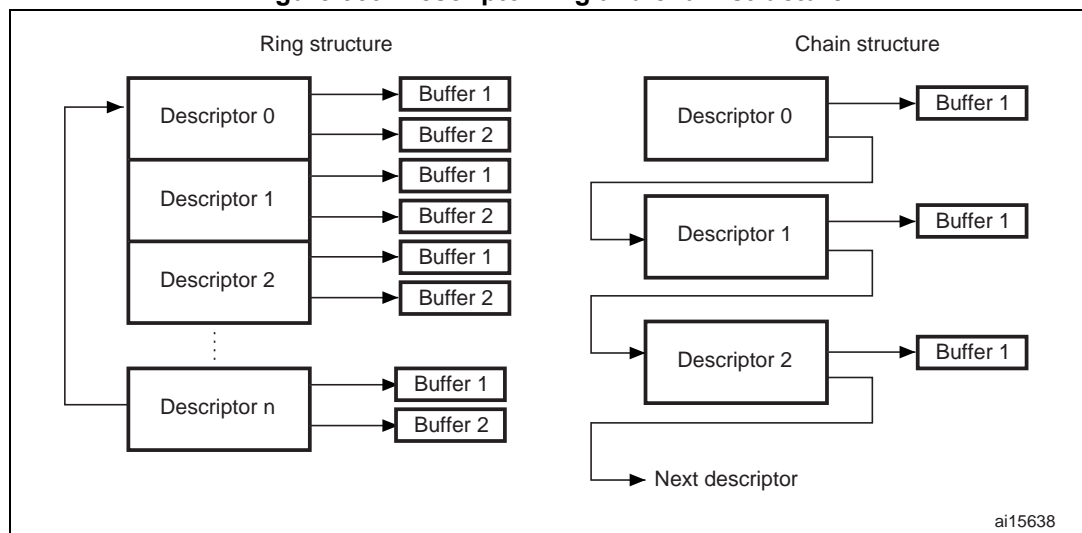
- Control and status registers (CSR)
- Descriptor lists and data buffers.

Control and status registers are described in detail in [Section 28.8](#). Descriptors are described in detail in [Normal Tx DMA descriptors](#).

The DMA transfers the received data frames to the receive buffer in the STM32F20x and STM32F21x memory, and transmits data frames from the transmit buffer in the STM32F20x and STM32F21x memory. Descriptors that reside in the STM32F20x and STM32F21x memory act as pointers to these buffers. There are two descriptor lists: one for reception, and one for transmission. The base address of each list is written into DMA registers 3 and 4, respectively. A descriptor list is forward-linked (either implicitly or explicitly). The last descriptor may point back to the first entry to create a ring structure. Explicit chaining of descriptors is accomplished by configuring the second address chained in both the receive and transmit descriptors (RDES1[14] and TDES0[20]). The descriptor lists reside in the Host's physical memory space. Each descriptor can point to a maximum of two buffers. This

enables the use of two physically addressed buffers, instead of two contiguous buffers in memory. A data buffer resides in the Host's physical memory space, and consists of an entire frame or part of a frame, but cannot exceed a single frame. Buffers contain only data. The buffer status is maintained in the descriptor. Data chaining refers to frames that span multiple data buffers. However, a single descriptor cannot span multiple frames. The DMA skips to the next frame buffer when the end of frame is detected. Data chaining can be enabled or disabled. The descriptor ring and chain structure is shown in [Figure 339](#).

Figure 339. Descriptor ring and chain structure



28.6.1 Initialization of a transfer using DMA

Initialization for the MAC is as follows:

1. Write to ETH_DMABMR to set STM32F20x and STM32F21x bus access parameters.
2. Write to the ETH_DMAIER register to mask unnecessary interrupt causes.
3. The software driver creates the transmit and receive descriptor lists. Then it writes to both the ETH_DMARDLAR and ETH_DMATDLAR registers, providing the DMA with the start address of each list.
4. Write to MAC registers 1, 2, and 3 to choose the desired filtering options.
5. Write to the MAC ETH_MACCR register to configure and enable the transmit and receive operating modes. The PS and DM bits are set based on the auto-negotiation result (read from the PHY).
6. Write to the ETH_DMAOMR register to set bits 13 and 1 and start transmission and reception.
7. The transmit and receive engines enter the running state and attempt to acquire descriptors from the respective descriptor lists. The receive and transmit engines then begin processing receive and transmit operations. The transmit and receive processes are independent of each other and can be started or stopped separately.

28.6.2 Host bus burst access

The DMA attempts to execute fixed-length burst transfers on the AHB master interface if configured to do so (FB bit in ETH_DMABMR). The maximum burst length is indicated and limited by the PBL field (ETH_DMABMR [13:8]). The receive and transmit descriptors are

always accessed in the maximum possible burst size (limited by PBL) for the 16 bytes to be read.

The Transmit DMA initiates a data transfer only when there is sufficient space in the Transmit FIFO to accommodate the configured burst or the number of bytes until the end of frame (when it is less than the configured burst length). The DMA indicates the start address and the number of transfers required to the AHB Master Interface. When the AHB Interface is configured for fixed-length burst, then it transfers data using the best combination of INCR4, INCR8, INCR16 and SINGLE transactions. Otherwise (no fixed-length burst), it transfers data using INCR (undefined length) and SINGLE transactions.

The Receive DMA initiates a data transfer only when sufficient data for the configured burst is available in Receive FIFO or when the end of frame (when it is less than the configured burst length) is detected in the Receive FIFO. The DMA indicates the start address and the number of transfers required to the AHB master interface. When the AHB interface is configured for fixed-length burst, then it transfers data using the best combination of INCR4, INCR8, INCR16 and SINGLE transactions. If the end of frame is reached before the fixed-burst ends on the AHB interface, then dummy transfers are performed in order to complete the fixed-length burst. Otherwise (FB bit in ETH_DMABMR is reset), it transfers data using INCR (undefined length) and SINGLE transactions.

When the AHB interface is configured for address-aligned beats, both DMA engines ensure that the first burst transfer the AHB initiates is less than or equal to the size of the configured PBL. Thus, all subsequent beats start at an address that is aligned to the configured PBL. The DMA can only align the address for beats up to size 16 (for PBL > 16), because the AHB interface does not support more than INCR16.

28.6.3 Host data buffer alignment

The transmit and receive data buffers do not have any restrictions on start address alignment. In our system with 32-bit memory, the start address for the buffers can be aligned to any of the four bytes. However, the DMA always initiates transfers with address aligned to the bus width with dummy data for the byte lanes not required. This typically happens during the transfer of the beginning or end of an Ethernet frame.

- Example of buffer read:
If the Transmit buffer address is 0x0000 0FF2, and 15 bytes need to be transferred, then the DMA reads five full words from address 0x0000 0FF0, but when transferring data to the Transmit FIFO, the extra bytes (the first two bytes) are dropped or ignored. Similarly, the last 3 bytes of the last transfer are also ignored. The DMA always ensures it transfers a full 32-bit data items to the Transmit FIFO, unless it is the end of frame.
- Example of buffer write:
If the Receive buffer address is 0x0000 0FF2, and 16 bytes of a received frame need to be transferred, then the DMA writes five full 32-bit data items from address 0x0000 0FF0. But the first 2 bytes of the first transfer and the last 2 bytes of the third transfer have dummy data.

28.6.4 Buffer size calculations

The DMA does not update the size fields in the transmit and receive descriptors. The DMA updates only the status fields (xDES0) of the descriptors. The driver has to calculate the sizes. The transmit DMA transfers the exact number of bytes (indicated by buffer size field in TDES1) towards the MAC core. If a descriptor is marked as first (FS bit in TDES0 is set), then the DMA marks the first transfer from the buffer as the start of frame. If a descriptor is

marked as last (LS bit in TDES0), then the DMA marks the last transfer from that data buffer as the end of frame. The receive DMA transfers data to a buffer until the buffer is full or the end of frame is received. If a descriptor is not marked as last (LS bit in RDES0), then the buffer(s) that correspond to the descriptor are full and the amount of valid data in a buffer is accurately indicated by the buffer size field minus the data buffer pointer offset when the descriptor's FS bit is set. The offset is zero when the data buffer pointer is aligned to the databus width. If a descriptor is marked as last, then the buffer may not be full (as indicated by the buffer size in RDES1). To compute the amount of valid data in this final buffer, the driver must read the frame length (FL bits in RDES0[29:16]) and subtract the sum of the buffer sizes of the preceding buffers in this frame. The receive DMA always transfers the start of next frame with a new descriptor.

Note: Even when the start address of a receive buffer is not aligned to the system databus width the system should allocate a receive buffer of a size aligned to the system bus width. For example, if the system allocates a 1024 byte (1 KB) receive buffer starting from address 0x1000, the software can program the buffer start address in the receive descriptor to have a 0x1002 offset. The receive DMA writes the frame to this buffer with dummy data in the first two locations (0x1000 and 0x1001). The actual frame is written from location 0x1002. Thus, the actual useful space in this buffer is 1022 bytes, even though the buffer size is programmed as 1024 bytes, due to the start address offset.

28.6.5 DMA arbiter

The arbiter inside the DMA takes care of the arbitration between transmit and receive channel accesses to the AHB master interface. Two types of arbitrations are possible: round-robin, and fixed-priority. When round-robin arbitration is selected (DA bit in ETH_DMABMR is reset), the arbiter allocates the databus in the ratio set by the PM bits in ETH_DMABMR, when both transmit and receive DMAs request access simultaneously. When the DA bit is set, the receive DMA always gets priority over the transmit DMA for data access.

28.6.6 Error response to DMA

For any data transfer initiated by a DMA channel, if the slave replies with an error response, that DMA stops all operations and updates the error bits and the fatal bus error bit in the Status register (ETH_DMASR register). That DMA controller can resume operation only after soft- or hard-resetting the peripheral and re-initializing the DMA.

28.6.7 Tx DMA configuration

TxDMA operation: default (non-OSF) mode

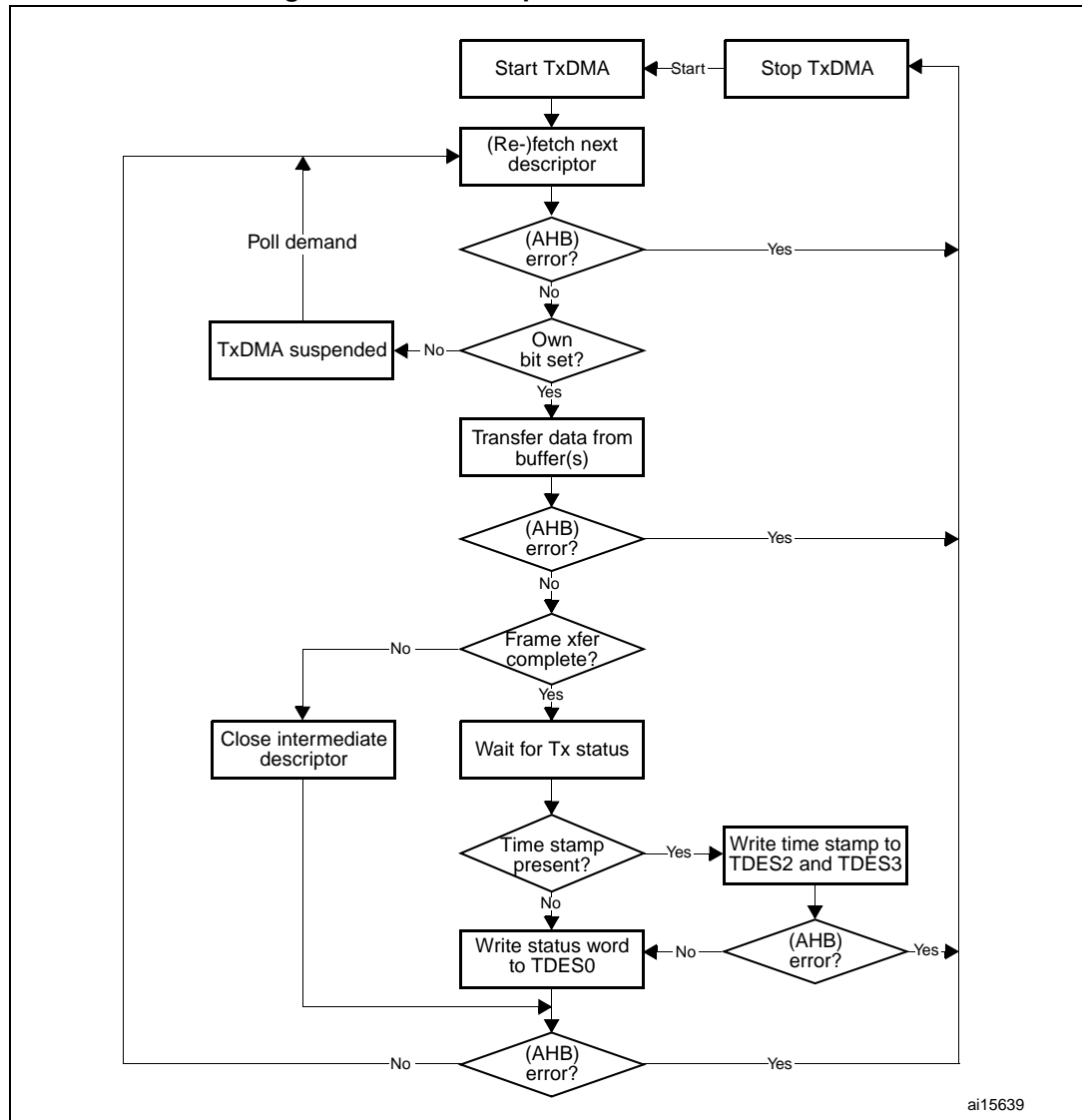
The transmit DMA engine in default mode proceeds as follows:

1. The user sets up the transmit descriptor (TDES0-TDES3) and sets the OWN bit (TDES0[31]) after setting up the corresponding data buffer(s) with Ethernet frame data.
2. Once the ST bit (ETH_DMAOMR register[13]) is set, the DMA enters the Run state.

3. While in the Run state, the DMA polls the transmit descriptor list for frames requiring transmission. After polling starts, it continues in either sequential descriptor ring order or chained order. If the DMA detects a descriptor flagged as owned by the CPU, or if an error condition occurs, transmission is suspended and both the Transmit buffer Unavailable (ETH_DMASR register[2]) and Normal Interrupt Summary (ETH_DMASR register[16]) bits are set. The transmit engine proceeds to Step 9.
4. If the acquired descriptor is flagged as owned by DMA (TDES0[31] is set), the DMA decodes the transmit data buffer address from the acquired descriptor.
5. The DMA fetches the transmit data from the STM32F20x and STM32F21x memory and transfers the data.
6. If an Ethernet frame is stored over data buffers in multiple descriptors, the DMA closes the intermediate descriptor and fetches the next descriptor. Steps 3, 4, and 5 are repeated until the end of Ethernet frame data is transferred.
7. When frame transmission is complete, if IEEE 1588 time stamping was enabled for the frame (as indicated in the transmit status) the time stamp value is written to the transmit descriptor (TDES2 and TDES3) that contains the end-of-frame buffer. The status information is then written to this transmit descriptor (TDES0). Because the OWN bit is cleared during this step, the CPU now owns this descriptor. If time stamping was not enabled for this frame, the DMA does not alter the contents of TDES2 and TDES3.
8. Transmit Interrupt (ETH_DMASR register [0]) is set after completing the transmission of a frame that has Interrupt on Completion (TDES1[31]) set in its last descriptor. The DMA engine then returns to Step 3.
9. In the Suspend state, the DMA tries to re-acquire the descriptor (and thereby returns to Step 3) when it receives a transmit poll demand, and the Underflow Interrupt Status bit is cleared.

Figure 340 shows the TxDMA transmission flow in default mode.

Figure 340. TxDMA operation in Default mode



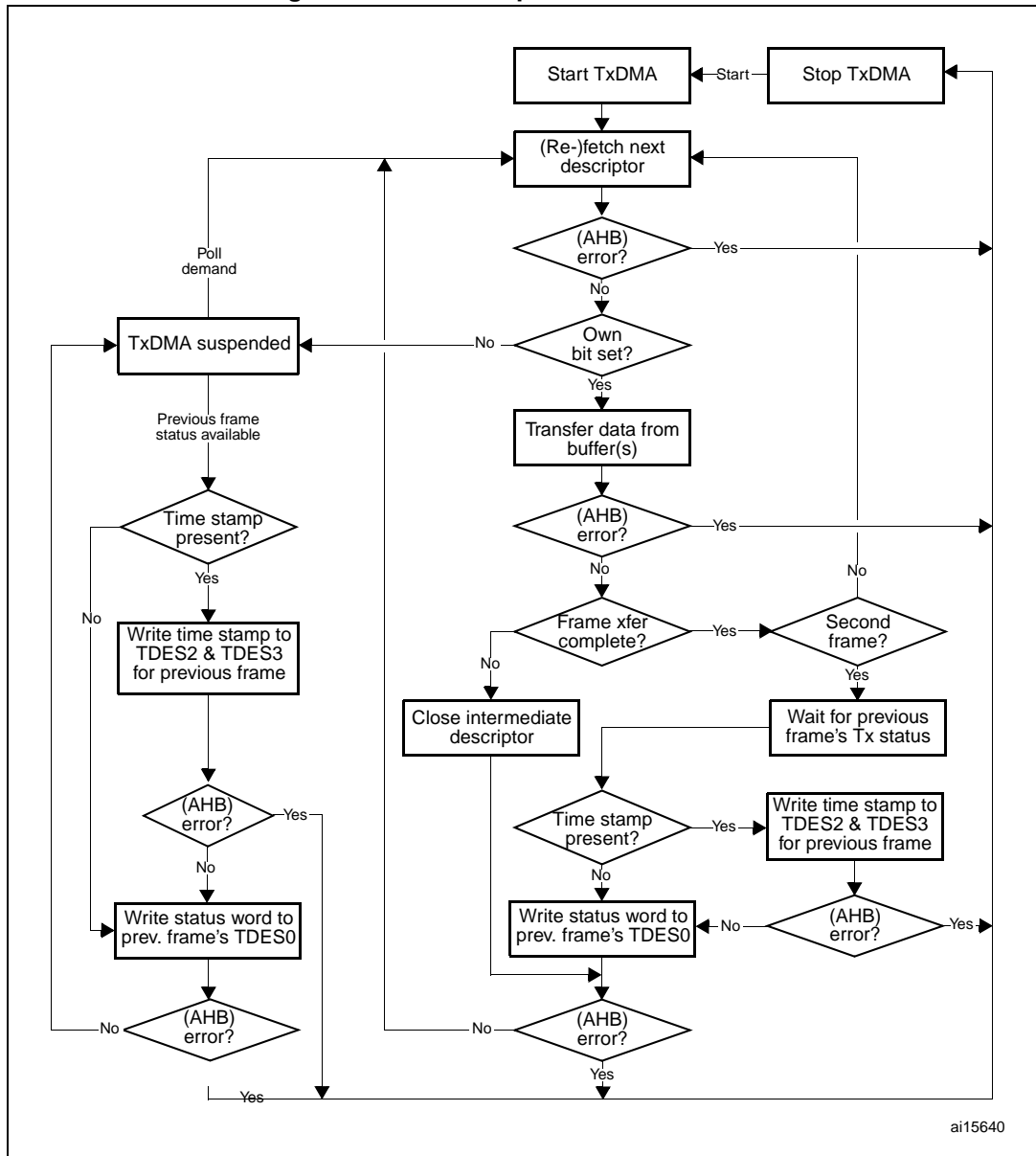
TxDMA operation: OSF mode

While in the Run state, the transmit process can simultaneously acquire two frames without closing the Status descriptor of the first (if the OSF bit is set in ETH_DMAOMR register[2]). As the transmit process finishes transferring the first frame, it immediately polls the transmit descriptor list for the second frame. If the second frame is valid, the transmit process transfers this frame before writing the first frame’s status information. In OSF mode, the Run-state transmit DMA operates according to the following sequence:

1. The DMA operates as described in steps 1–6 of the TxDMA (default mode).
2. Without closing the previous frame's last descriptor, the DMA fetches the next descriptor.
3. If the DMA owns the acquired descriptor, the DMA decodes the transmit buffer address in this descriptor. If the DMA does not own the descriptor, the DMA goes into Suspend mode and skips to Step 7.
4. The DMA fetches the Transmit frame from the STM32F20x and STM32F21x memory and transfers the frame until the end of frame data are transferred, closing the intermediate descriptors if this frame is split across multiple descriptors.
5. The DMA waits for the transmission status and time stamp of the previous frame. When the status is available, the DMA writes the time stamp to TDES2 and TDES3, if such time stamp was captured (as indicated by a status bit). The DMA then writes the status, with a cleared OWN bit, to the corresponding TDES0, thus closing the descriptor. If time stamping was not enabled for the previous frame, the DMA does not alter the contents of TDES2 and TDES3.
6. If enabled, the Transmit interrupt is set, the DMA fetches the next descriptor, then proceeds to Step 3 (when Status is normal). If the previous transmission status shows an underflow error, the DMA goes into Suspend mode (Step 7).
7. In Suspend mode, if a pending status and time stamp are received by the DMA, it writes the time stamp (if enabled for the current frame) to TDES2 and TDES3, then writes the status to the corresponding TDES0. It then sets relevant interrupts and returns to Suspend mode.
8. The DMA can exit Suspend mode and enter the Run state (go to Step 1 or Step 2 depending on pending status) only after receiving a Transmit Poll demand (ETH_DMATPDR register).

Figure 341 shows the basic flowchart in OSF mode.

Figure 341. TxDMA operation in OSF mode



Transmit frame processing

The transmit DMA expects that the data buffers contain complete Ethernet frames, excluding preamble, pad bytes, and FCS fields. The DA, SA, and Type/Len fields contain valid data. If the transmit descriptor indicates that the MAC core must disable CRC or pad insertion, the buffer must have complete Ethernet frames (excluding preamble), including the CRC bytes. Frames can be data-chained and span over several buffers. Frames have to be delimited by the first descriptor (TDES0[28]) and the last descriptor (TDES0[29]). As the transmission starts, TDES0[28] has to be set in the first descriptor. When this occurs, the frame data are transferred from the memory buffer to the Transmit FIFO. Concurrently, if the last descriptor (TDES0[29]) of the current frame is cleared, the transmit process attempts to acquire the next descriptor. The transmit process expects TDES0[28] to be cleared in this descriptor. If TDES0[29] is cleared, it indicates an intermediary buffer. If TDES0[29] is set, it

indicates the last buffer of the frame. After the last buffer of the frame has been transmitted, the DMA writes back the final status information to the transmit descriptor 0 (TDES0) word of the descriptor that has the last segment set in transmit descriptor 0 (TDES0[29]). At this time, if Interrupt on Completion (TDES0[30]) is set, Transmit Interrupt (in ETH_DMASR register [0]) is set, the next descriptor is fetched, and the process repeats. Actual frame transmission begins after the Transmit FIFO has reached either a programmable transmit threshold (ETH_DMAOMR register[16:14]), or a full frame is contained in the FIFO. There is also an option for the Store and forward mode (ETH_DMAOMR register[21]). Descriptors are released (OWN bit TDES0[31] is cleared) when the DMA finishes transferring the frame.

Transmit polling suspended

Transmit polling can be suspended by either of the following conditions:

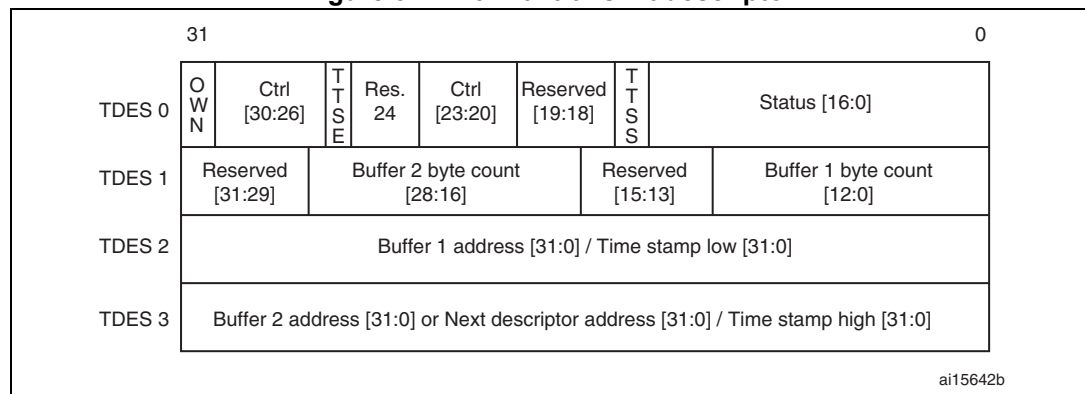
- The DMA detects a descriptor owned by the CPU (TDES0[31]=0) and the Transmit buffer unavailable flag is set (ETH_DMASR register[2]). To resume, the driver must give descriptor ownership to the DMA and then issue a Poll Demand command.
- A frame transmission is aborted when a transmit error due to underflow is detected. The appropriate Transmit Descriptor 0 (TDES0) bit is set. If the second condition occurs, both the Abnormal Interrupt Summary (in ETH_DMASR register [15]) and Transmit Underflow bits (in ETH_DMASR register[5]) are set, and the information is written to Transmit Descriptor 0, causing the suspension. If the DMA goes into Suspend state due to the first condition, then both the Normal Interrupt Summary (ETH_DMASR register [16]) and Transmit Buffer Unavailable (ETH_DMASR register[2]) bits are set. In both cases, the position in the transmit list is retained. The retained position is that of the descriptor following the last descriptor closed by the DMA. The driver must explicitly issue a Transmit Poll Demand command after rectifying the suspension cause.

Normal Tx DMA descriptors

The normal transmit descriptor structure consists of four 32-bit words as shown in [Figure 342](#). The bit descriptions of TDES0, TDES1, TDES2 and TDES3 are given below.

Note that enhanced descriptors must be used if time stamping is activated (ETH_PTPTSCR bit 0, TSE=1) or if IPv4 checksum offload is activated (ETH_MACCCR bit 10, IPCO=1).

Figure 342. Normal transmit descriptor



• **TDES0: Transmit descriptor Word0**

The application software has to program the control bits [30:26]+[23:20] plus the OWN bit [31] during descriptor initialization. When the DMA updates the descriptor (or writes it back), it resets all the control bits plus the OWN bit, and reports only the status bits.

31	30	29	28	27	26	25	24	23	22	21	20	19	18	17	16
OWN	IC	LS	FS	DC	DP	TTSE	Res	CIC		TER	TCH	Res.		TTSS	IHE
r/w	r/w	r/w	r/w	r/w	r/w	r/w		r/w	r/w	r/w	r/w	r/w	r/w	r/w	r/w
15	14	13	12	11	10	9	8	7	6	5	4	3	2	1	0
ES	JT	FF	IPE	LCA	NC	LCO	EC	VF	CC				ED	UF	DB
r/w	r/w	r/w	r/w	r/w	r/w	r/w	r/w	r/w	r/w	r/w	r/w	r/w	r/w	r/w	r/w

Bit 31 **OWN**: Own bit

When set, this bit indicates that the descriptor is owned by the DMA. When this bit is reset, it indicates that the descriptor is owned by the CPU. The DMA clears this bit either when it completes the frame transmission or when the buffers allocated in the descriptor are read completely. The ownership bit of the frame's first descriptor must be set after all subsequent descriptors belonging to the same frame have been set.

Bit 30 **IC**: Interrupt on completion

When set, this bit sets the Transmit Interrupt (ETH_DMASR[0]) after the present frame has been transmitted.

Bit 29 **LS**: Last segment

When set, this bit indicates that the buffer contains the last segment of the frame.

Bit 28 **FS**: First segment

When set, this bit indicates that the buffer contains the first segment of a frame.

Bit 27 **DC**: Disable CRC

When this bit is set, the MAC does not append a cyclic redundancy check (CRC) to the end of the transmitted frame. This is valid only when the first segment (TDES0[28]) is set.

Bit 26 **DP**: Disable pad

When set, the MAC does not automatically add padding to a frame shorter than 64 bytes. When this bit is reset, the DMA automatically adds padding and CRC to a frame shorter than 64 bytes, and the CRC field is added despite the state of the DC (TDES0[27]) bit. This is valid only when the first segment (TDES0[28]) is set.

Bit 25 **TTSE**: Transmit time stamp enable

When TTSE is set and when TSE is set (ETH_PTPTSCR bit 0), IEEE1588 hardware time stamping is activated for the transmit frame described by the descriptor. This field is only valid when the First segment control bit (TDES0[28]) is set.

Bit 24 Reserved, must be kept at reset value.

Bits 23:22 **CIC**: Checksum insertion control

These bits control the checksum calculation and insertion. Bit encoding is as shown below:

00: Checksum Insertion disabled

01: Only IP header checksum calculation and insertion are enabled

10: IP header checksum and payload checksum calculation and insertion are enabled, but pseudo-header checksum is not calculated in hardware

11: IP Header checksum and payload checksum calculation and insertion are enabled, and pseudo-header checksum is calculated in hardware.

Bit 21 TER: Transmit end of ring

When set, this bit indicates that the descriptor list reached its final descriptor. The DMA returns to the base address of the list, creating a descriptor ring.

Bit 20 TCH: Second address chained

When set, this bit indicates that the second address in the descriptor is the next descriptor address rather than the second buffer address. When TDES0[20] is set, TBS2 (TDES1[28:16]) is a "don't care" value. TDES0[21] takes precedence over TDES0[20].

Bits 19:18 Reserved, must be kept at reset value.

Bit 17 TTSS: Transmit time stamp status

This field is used as a status bit to indicate that a time stamp was captured for the described transmit frame. When this bit is set, TDES2 and TDES3 have a time stamp value captured for the transmit frame. This field is only valid when the descriptor's Last segment control bit (TDES0[29]) is set.

Note that when enhanced descriptors are enabled (EDFE=1 in ETH_DMABMR), TTSS=1 indicates that TDES6 and TDES7 have the time stamp value.

Bit 16 IHE: IP header error

When set, this bit indicates that the MAC transmitter detected an error in the IP datagram header. The transmitter checks the header length in the IPv4 packet against the number of header bytes received from the application and indicates an error status if there is a mismatch. For IPv6 frames, a header error is reported if the main header length is not 40 bytes. Furthermore, the Ethernet length/type field value for an IPv4 or IPv6 frame must match the IP header version received with the packet. For IPv4 frames, an error status is also indicated if the Header Length field has a value less than 0x5.

Bit 15 ES: Error summary

Indicates the logical OR of the following bits:

TDES0[14]: Jabber timeout

TDES0[13]: Frame flush

TDES0[11]: Loss of carrier

TDES0[10]: No carrier

TDES0[9]: Late collision

TDES0[8]: Excessive collision

TDES0[2]: Excessive deferral

TDES0[1]: Underflow error

TDES0[16]: IP header error

TDES0[12]: IP payload error

Bit 14 JT: Jabber timeout

When set, this bit indicates the MAC transmitter has experienced a jabber timeout. This bit is only set when the MAC configuration register's JD bit is not set.

Bit 13 FF: Frame flushed

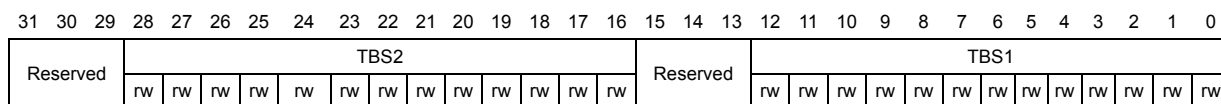
When set, this bit indicates that the DMA/MTL flushed the frame due to a software Flush command given by the CPU.

Bit 12 IPE: IP payload error

When set, this bit indicates that MAC transmitter detected an error in the TCP, UDP, or ICMP IP datagram payload. The transmitter checks the payload length received in the IPv4 or IPv6 header against the actual number of TCP, UDP or ICMP packet bytes received from the application and issues an error status in case of a mismatch.

- Bit 11 **LCA**: Loss of carrier
 When set, this bit indicates that a loss of carrier occurred during frame transmission (that is, the MII_CRS signal was inactive for one or more transmit clock periods during frame transmission). This is valid only for the frames transmitted without collision when the MAC operates in Half-duplex mode.
- Bit 10 **NC**: No carrier
 When set, this bit indicates that the Carrier Sense signal from the PHY was not asserted during transmission.
- Bit 9 **LCO**: Late collision
 When set, this bit indicates that frame transmission was aborted due to a collision occurring after the collision window (64 byte times, including preamble, in MII mode). This bit is not valid if the Underflow Error bit is set.
- Bit 8 **EC**: Excessive collision
 When set, this bit indicates that the transmission was aborted after 16 successive collisions while attempting to transmit the current frame. If the RD (Disable retry) bit in the MAC Configuration register is set, this bit is set after the first collision, and the transmission of the frame is aborted.
- Bit 7 **VF**: VLAN frame
 When set, this bit indicates that the transmitted frame was a VLAN-type frame.
- Bits 6:3 **CC**: Collision count
 This 4-bit counter value indicates the number of collisions occurring before the frame was transmitted. The count is not valid when the Excessive collisions bit (TDES0[8]) is set.
- Bit 2 **ED**: Excessive deferral
 When set, this bit indicates that the transmission has ended because of excessive deferral of over 24 288 bit times if the Deferral check (DC) bit in the MAC Control register is set high.
- Bit 1 **UF**: Underflow error
 When set, this bit indicates that the MAC aborted the frame because data arrived late from the RAM memory. Underflow error indicates that the DMA encountered an empty transmit buffer while transmitting the frame. The transmission process enters the Suspended state and sets both Transmit underflow (ETH_DMASR[5]) and Transmit interrupt (ETH_DMASR[0]).
- Bit 0 **DB**: Deferred bit
 When set, this bit indicates that the MAC defers before transmission because of the presence of the carrier. This bit is valid only in Half-duplex mode.

• **TDES1: Transmit descriptor Word1**



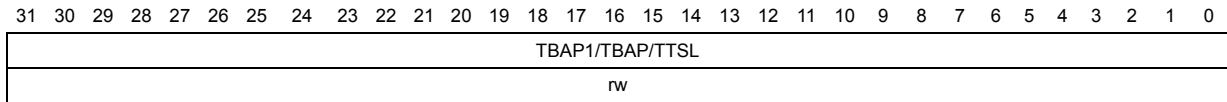
- 31:29 Reserved, must be kept at reset value.
- 28:16 **TBS2**: Transmit buffer 2 size
 These bits indicate the second data buffer size in bytes. This field is not valid if TDES0[20] is set.
- 15:13 Reserved, must be kept at reset value.

12:0 **TBS1**: Transmit buffer 1 size

These bits indicate the first data buffer byte size, in bytes. If this field is 0, the DMA ignores this buffer and uses Buffer 2 or the next descriptor, depending on the value of TCH (TDES0[20]).

- **TDES2: Transmit descriptor Word2**

TDES2 contains the address pointer to the first buffer of the descriptor or it contains time stamp data.



Bits 31:0 **TBAP1**: Transmit buffer 1 address pointer / Transmit frame time stamp low

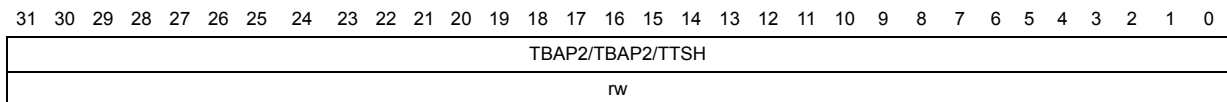
These bits have two different functions: they indicate to the DMA the location of data in memory, and after all data are transferred, the DMA can then use these bits to pass back time stamp data.

TBAP: When the software makes this descriptor available to the DMA (at the moment that the OWN bit is set to 1 in TDES0), these bits indicate the physical address of Buffer 1. There is no limitation on the buffer address alignment. See [Host data buffer alignment](#) for further details on buffer address alignment.

TTSL: Before it clears the OWN bit in TDES0, the DMA updates this field with the 32 least significant bits of the time stamp captured for the corresponding transmit frame (overwriting the value for TBAP1). This field has the time stamp only if time stamping is activated for this frame (see TTSE, TDES0 bit 25) and if the Last segment control bit (LS) in the descriptor is set.

- **TDES3: Transmit descriptor Word3**

TDES3 contains the address pointer either to the second buffer of the descriptor or the next descriptor, or it contains time stamp data.



Bits 31:0 **TBAP2**: Transmit buffer 2 address pointer (Next descriptor address) / Transmit frame time stamp high

These bits have two different functions: they indicate to the DMA the location of data in memory, and after all data are transferred, the DMA can then use these bits to pass back time stamp data.

TBAP2: When the software makes this descriptor available to the DMA (at the moment when the OWN bit is set to 1 in TDES0), these bits indicate the physical address of Buffer 2 when a descriptor ring structure is used. If the Second address chained (TDES1 [20]) bit is set, this address contains the pointer to the physical memory where the next descriptor is present. The buffer address pointer must be aligned to the bus width only when TDES1 [20] is set. (LSBs are ignored internally.)

TTSH: Before it clears the OWN bit in TDES0, the DMA updates this field with the 32 most significant bits of the time stamp captured for the corresponding transmit frame (overwriting the value for TBAP2). This field has the time stamp only if time stamping is activated for this frame (see TDES0 bit 25, TTSE) and if the Last segment control bit (LS) in the descriptor is set.

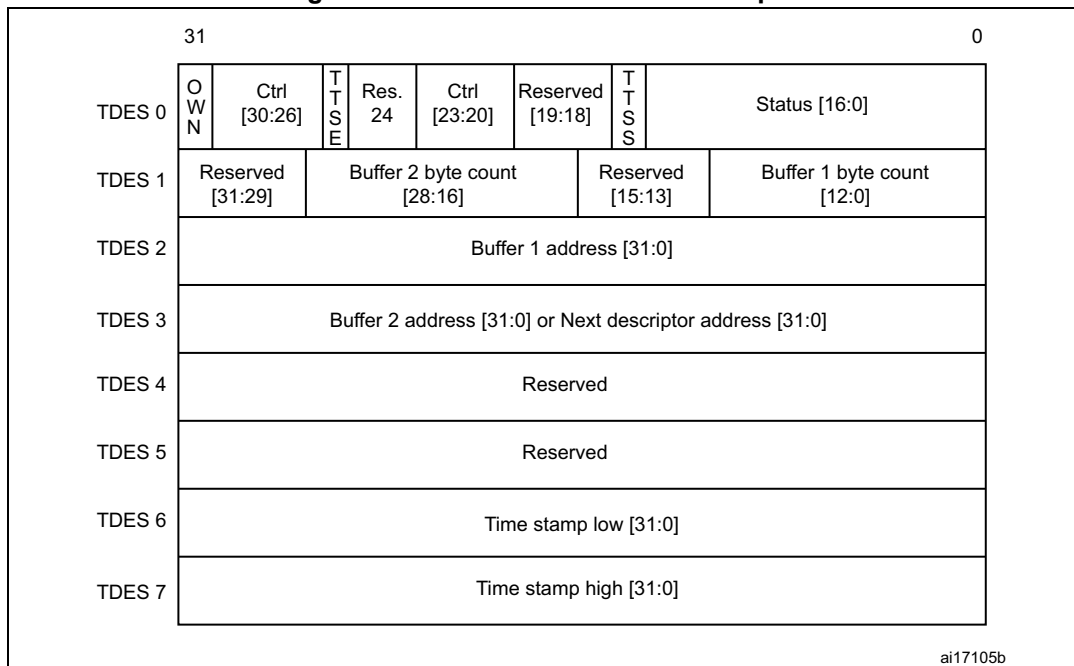
Enhanced Tx DMA descriptors

Enhanced descriptors (enabled with EDFE=1, ETHDMABMR bit 7), must be used if time stamping is activated (TSE=1, ETH_PTPTSCR bit 0) or if IPv4 checksum offload is activated (IPCO=1, ETH_MACCR bit 10).

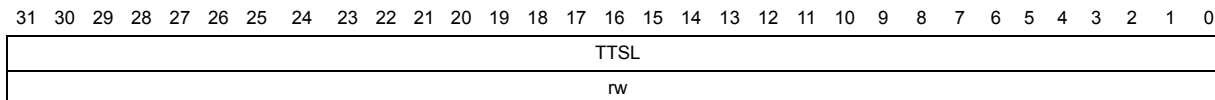
Enhanced descriptors comprise eight 32-bit words, twice the size of normal descriptors. TDES0, TDES1, TDES2 and TDES3 have the same definitions as for normal transmit descriptors (refer to [Normal Tx DMA descriptors](#)). TDES6 and TDES7 hold the time stamp. TDES4, TDES5, TDES6 and TDES7 are defined below.

When the Enhanced descriptor mode is selected, the software needs to allocate 32-bytes (8 words) of memory for every descriptor. When time stamping or IPv4 checksum offload are not being used, the enhanced descriptor format may be disabled and the software can use normal descriptors with the default size of 16 bytes.

Figure 343. Enhanced transmit descriptor

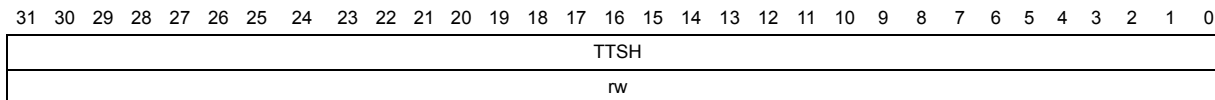


- TDES4: Transmit descriptor Word4
Reserved
- TDES5: Transmit descriptor Word5
Reserved
- **TDES6: Transmit descriptor Word6**



Bits 31:0 **TTSL**: Transmit frame time stamp low
 This field is updated by DMA with the 32 least significant bits of the time stamp captured for the corresponding transmit frame. This field has the time stamp only if the Last segment control bit (LS) in the descriptor is set.

- **TDES7: Transmit descriptor Word7**



Bits 31:0 **TTSH**: Transmit frame time stamp high
 This field is updated by DMA with the 32 most significant bits of the time stamp captured for the corresponding transmit frame. This field has the time stamp only if the Last segment control bit (LS) in the descriptor is set.

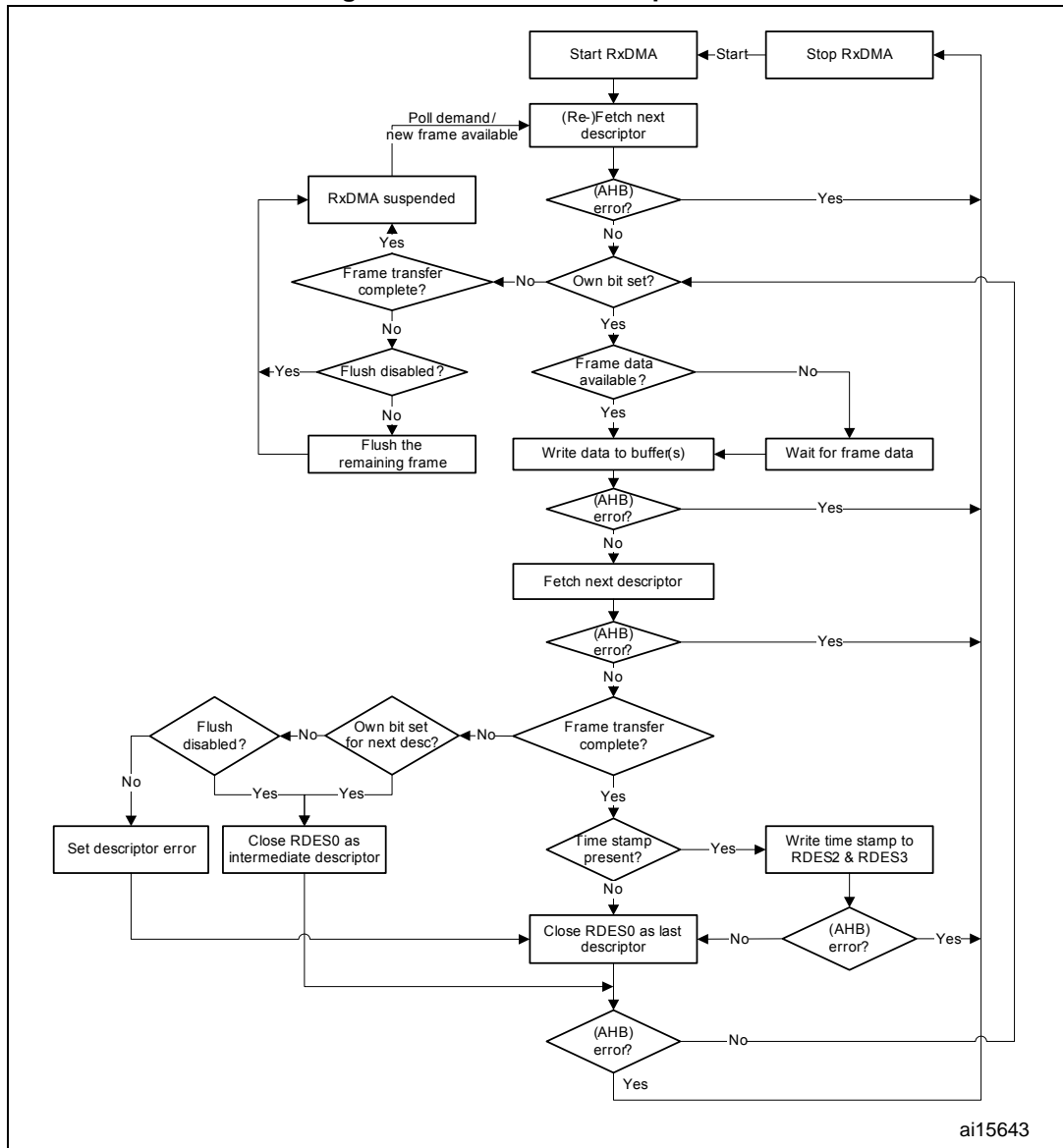
28.6.8 Rx DMA configuration

The Receive DMA engine's reception sequence is illustrated in [Figure 344](#) and described below:

1. The CPU sets up Receive descriptors (RDES0-RDES3) and sets the OWN bit (RDES0[31]).
2. Once the SR (ETH_DMAOMR register[1]) bit is set, the DMA enters the Run state. While in the Run state, the DMA polls the receive descriptor list, attempting to acquire free descriptors. If the fetched descriptor is not free (is owned by the CPU), the DMA enters the Suspend state and jumps to Step 9.
3. The DMA decodes the receive data buffer address from the acquired descriptors.
4. Incoming frames are processed and placed in the acquired descriptor's data buffers.
5. When the buffer is full or the frame transfer is complete, the Receive engine fetches the next descriptor.
6. If the current frame transfer is complete, the DMA proceeds to step 7. If the DMA does not own the next fetched descriptor and the frame transfer is not complete (EOF is not yet transferred), the DMA sets the Descriptor error bit in RDES0 (unless flushing is disabled). The DMA closes the current descriptor (clears the OWN bit) and marks it as intermediate by clearing the Last segment (LS) bit in the RDES1 value (marks it as last descriptor if flushing is not disabled), then proceeds to step 8. If the DMA owns the next descriptor but the current frame transfer is not complete, the DMA closes the current descriptor as intermediate and returns to step 4.
7. If IEEE 1588 time stamping is enabled, the DMA writes the time stamp (if available) to the current descriptor's RDES2 and RDES3. It then takes the received frame's status and writes the status word to the current descriptor's RDES0, with the OWN bit cleared and the Last segment bit set.
8. The Receive engine checks the latest descriptor's OWN bit. If the CPU owns the descriptor (OWN bit is at 0) the Receive buffer unavailable bit (in ETH_DMASR register[7]) is set and the DMA Receive engine enters the Suspended state (step 9). If the DMA owns the descriptor, the engine returns to step 4 and awaits the next frame.
9. Before the Receive engine enters the Suspend state, partial frames are flushed from the Receive FIFO (you can control flushing using bit 24 in the ETH_DMAOMR register).
10. The Receive DMA exits the Suspend state when a Receive Poll demand is given or the start of next frame is available from the Receive FIFO. The engine proceeds to step 2 and re-fetches the next descriptor.

The DMA does not acknowledge accepting the status until it has completed the time stamp write-back and is ready to perform status write-back to the descriptor. If software has enabled time stamping through CSR, when a valid time stamp value is not available for the frame (for example, because the receive FIFO was full before the time stamp could be written to it), the DMA writes all ones to RDES2 and RDES3. Otherwise (that is, if time stamping is not enabled), RDES2 and RDES3 remain unchanged.

Figure 344. Receive DMA operation



ai15643

Receive descriptor acquisition

The receive engine always attempts to acquire an extra descriptor in anticipation of an incoming frame. Descriptor acquisition is attempted if any of the following conditions is/are satisfied:

- The receive Start/Stop bit (ETH_DMAOMR register[1]) has been set immediately after the DMA has been placed in the Run state.
- The data buffer of the current descriptor is full before the end of the frame currently being transferred
- The controller has completed frame reception, but the current receive descriptor has not yet been closed.
- The receive process has been suspended because of a CPU-owned buffer (RDES0[31] = 0) and a new frame is received.

- A Receive poll demand has been issued.

Receive frame processing

The MAC transfers the received frames to the STM32F20x and STM32F21x memory only when the frame passes the address filter and the frame size is greater than or equal to the configurable threshold bytes set for the Receive FIFO, or when the complete frame is written to the FIFO in Store-and-forward mode. If the frame fails the address filtering, it is dropped in the MAC block itself (unless Receive All ETH_MACFFR [31] bit is set). Frames that are shorter than 64 bytes, because of collision or premature termination, can be purged from the Receive FIFO. After 64 (configurable threshold) bytes have been received, the DMA block begins transferring the frame data to the receive buffer pointed to by the current descriptor. The DMA sets the first descriptor (RDES0[9]) after the DMA AHB Interface becomes ready to receive a data transfer (if DMA is not fetching transmit data from the memory), to delimit the frame. The descriptors are released when the OWN (RDES0[31]) bit is reset to 0, either as the data buffer fills up or as the last segment of the frame is transferred to the receive buffer. If the frame is contained in a single descriptor, both the last descriptor (RDES0[8]) and first descriptor (RDES0[9]) bits are set. The DMA fetches the next descriptor, sets the last descriptor (RDES0[8]) bit, and releases the RDES0 status bits in the previous frame descriptor. Then the DMA sets the receive interrupt bit (ETH_DMASR register [6]). The same process repeats unless the DMA encounters a descriptor flagged as being owned by the CPU. If this occurs, the receive process sets the receive buffer unavailable bit (ETH_DMASR register[7]) and then enters the Suspend state. The position in the receive list is retained.

Receive process suspended

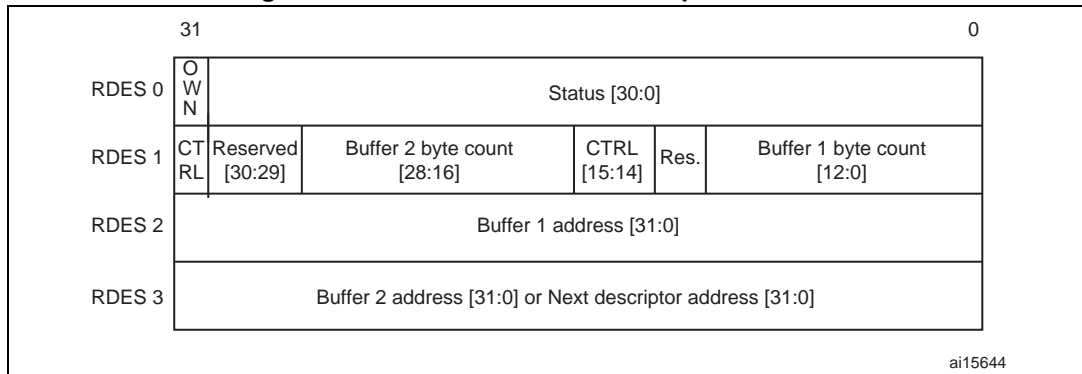
If a new receive frame arrives while the receive process is in Suspend state, the DMA re-fetches the current descriptor in the STM32F20x and STM32F21x memory. If the descriptor is now owned by the DMA, the receive process re-enters the Run state and starts frame reception. If the descriptor is still owned by the host, by default, the DMA discards the current frame at the top of the Rx FIFO and increments the missed frame counter. If more than one frame is stored in the Rx FIFO, the process repeats. The discarding or flushing of the frame at the top of the Rx FIFO can be avoided by setting the DMA Operation mode register bit 24 (DFRF). In such conditions, the receive process sets the receive buffer unavailable status bit and returns to the Suspend state.

Normal Rx DMA descriptors

The normal receive descriptor structure consists of four 32-bit words (16 bytes). These are shown in [Figure 345](#). The bit descriptions of RDES0, RDES1, RDES2 and RDES3 are given below.

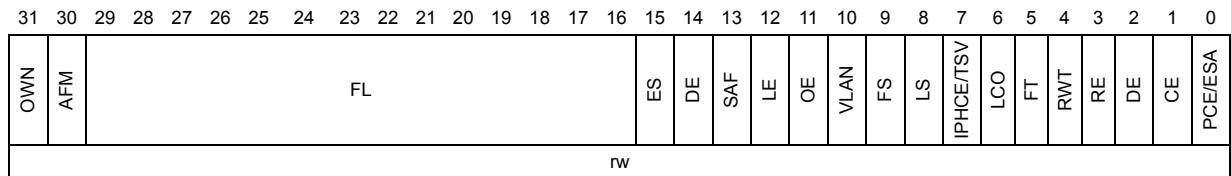
Enhanced descriptors must be used if time stamping is activated (TSE=1, ETH_PTPTSCR bit 0) or if IPv4 checksum offload is activated (IPCO=1, ETH_MACCCR bit 10).

Figure 345. Normal Rx DMA descriptor structure



• **RDES0: Receive descriptor Word0**

RDES0 contains the received frame status, the frame length and the descriptor ownership information.



Bit 31 **OWN:** Own bit

When set, this bit indicates that the descriptor is owned by the DMA of the MAC Subsystem. When this bit is reset, it indicates that the descriptor is owned by the Host. The DMA clears this bit either when it completes the frame reception or when the buffers that are associated with this descriptor are full.

Bit 30 **AFM:** Destination address filter fail

When set, this bit indicates a frame that failed the DA filter in the MAC Core.

Bits 29:16 **FL:** Frame length

These bits indicate the byte length of the received frame that was transferred to host memory (including CRC). This field is valid only when last descriptor (RDES0[8]) is set and descriptor error (RDES0[14]) is reset.

This field is valid when last descriptor (RDES0[8]) is set. When the last descriptor and error summary bits are not set, this field indicates the accumulated number of bytes that have been transferred for the current frame.

Bit 15 **ES:** Error summary

Indicates the logical OR of the following bits:

RDES0[1]: CRC error

RDES0[3]: Receive error

RDES0[4]: Watchdog timeout

RDES0[6]: Late collision

RDES0[7]: Giant frame (This is not applicable when RDES0[7] indicates an IPV4 header checksum error.)

RDES0[11]: Overflow error

RDES0[14]: Descriptor error.

This field is valid only when the last descriptor (RDES0[8]) is set.

- Bit 14 **DE**: Descriptor error
When set, this bit indicates a frame truncation caused by a frame that does not fit within the current descriptor buffers, and that the DMA does not own the next descriptor. The frame is truncated. This field is valid only when the last descriptor (RDES0[8]) is set.
- Bit 13 **SAF**: Source address filter fail
When set, this bit indicates that the SA field of frame failed the SA filter in the MAC Core.
- Bit 12 **LE**: Length error
When set, this bit indicates that the actual length of the received frame does not match the value in the Length/ Type field. This bit is valid only when the Frame type (RDES0[5]) bit is reset.
- Bit 11 **OE**: Overflow error
When set, this bit indicates that the received frame was damaged due to buffer overflow.
- Bit 10 **VLAN**: VLAN tag
When set, this bit indicates that the frame pointed to by this descriptor is a VLAN frame tagged by the MAC core.
- Bit 9 **FS**: First descriptor
When set, this bit indicates that this descriptor contains the first buffer of the frame. If the size of the first buffer is 0, the second buffer contains the beginning of the frame. If the size of the second buffer is also 0, the next descriptor contains the beginning of the frame.
- Bit 8 **LS**: Last descriptor
When set, this bit indicates that the buffers pointed to by this descriptor are the last buffers of the frame.
- Bit 7 **IPHCE/TSV**: IPv header checksum error / time stamp valid
If IPHCE is set, it indicates an error in the IPv4 or IPv6 header. This error can be due to inconsistent Ethernet Type field and IP header Version field values, a header checksum mismatch in IPv4, or an Ethernet frame lacking the expected number of IP header bytes. This bit can take on special meaning as specified in [Table 146](#).
If enhanced descriptor format is enabled (EDFE=1, bit 7 of ETH_DMABMR), this bit takes on the TSV function (otherwise it is IPHCE). When TSV is set, it indicates that a snapshot of the timestamp is written in descriptor words 6 (RDES6) and 7 (RDES7). TSV is valid only when the Last descriptor bit (RDES0[8]) is set.
- Bit 6 **LCO**: Late collision
When set, this bit indicates that a late collision has occurred while receiving the frame in Half-duplex mode.
- Bit 5 **FT**: Frame type
When set, this bit indicates that the Receive frame is an Ethernet-type frame (the LT field is greater than or equal to 0x0600). When this bit is reset, it indicates that the received frame is an IEEE802.3 frame. This bit is not valid for Runt frames less than 14 bytes. When the normal descriptor format is used (ETH_DMABMR EDFE=0), FT can take on special meaning as specified in [Table 146](#).
- Bit 4 **RWT**: Receive watchdog timeout
When set, this bit indicates that the Receive watchdog timer has expired while receiving the current frame and the current frame is truncated after the watchdog timeout.
- Bit 3 **RE**: Receive error
When set, this bit indicates that the RX_ERR signal is asserted while RX_DV is asserted during frame reception.

Bit 2 **DE**: Dribble bit error

When set, this bit indicates that the received frame has a non-integer multiple of bytes (odd nibbles). This bit is valid only in MII mode.

Bit 1 **CE**: CRC error

When set, this bit indicates that a cyclic redundancy check (CRC) error occurred on the received frame. This field is valid only when the last descriptor (RDES0[8]) is set.

Bit 0 **PCE/ESA**: Payload checksum error / extended status available

When set, it indicates that the TCP, UDP or ICMP checksum the core calculated does not match the received encapsulated TCP, UDP or ICMP segment's Checksum field. This bit is also set when the received number of payload bytes does not match the value indicated in the Length field of the encapsulated IPv4 or IPv6 datagram in the received Ethernet frame. This bit can take on special meaning as specified in [Table 146](#).

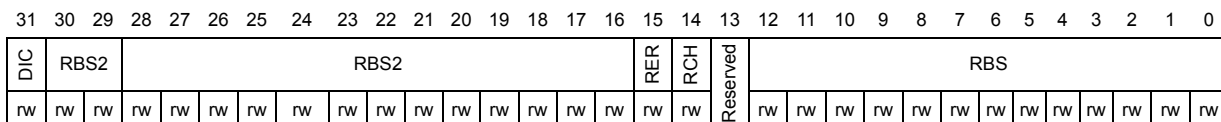
If the enhanced descriptor format is enabled (EDFE=1, bit 7 in ETH_DMABMR), this bit takes on the ESA function (otherwise it is PCE). When ESA is set, it indicates that the extended status is available in descriptor word 4 (RDES4). ESA is valid only when the last descriptor bit (RDES0[8]) is set.

Bits 5, 7, and 0 reflect the conditions discussed in [Table 146](#).

Table 146. Receive descriptor 0 - encoding for bits 7, 5 and 0 (normal descriptor format only, EDFE=0)

Bit 5: frame type	Bit 7: IPC checksum error	Bit 0: payload checksum error	Frame status
0	0	0	IEEE 802.3 Type frame (Length field value is less than 0x0600.)
1	0	0	IPv4/IPv6 Type frame, no checksum error detected
1	0	1	IPv4/IPv6 Type frame with a payload checksum error (as described for PCE) detected
1	1	0	IPv4/IPv6 Type frame with an IP header checksum error (as described for IPC CE) detected
1	1	1	IPv4/IPv6 Type frame with both IP header and payload checksum errors detected
0	0	1	IPv4/IPv6 Type frame with no IP header checksum error and the payload check bypassed, due to an unsupported payload
0	1	1	A Type frame that is neither IPv4 or IPv6 (the checksum offload engine bypasses checksum completely.)
0	1	0	Reserved

• **RDES1: Receive descriptor Word1**



Bit 31 **DIC**: Disable interrupt on completion

When set, this bit prevents setting the Status register's RS bit (CSR5[6]) for the received frame ending in the buffer indicated by this descriptor. This, in turn, disables the assertion of the interrupt to Host due to RS for that frame.

Bits 30:29 Reserved, must be kept at reset value.

Bits 28:16 **RBS2**: Receive buffer 2 size

These bits indicate the second data buffer size, in bytes. The buffer size must be a multiple of 4, 8, or 16, depending on the bus widths (32, 64 or 128, respectively), even if the value of RDES3 (buffer2 address pointer) is not aligned to bus width. If the buffer size is not an appropriate multiple of 4, 8 or 16, the resulting behavior is undefined. This field is not valid if RDES1 [14] is set.

Bit 15 **RER**: Receive end of ring

When set, this bit indicates that the descriptor list reached its final descriptor. The DMA returns to the base address of the list, creating a descriptor ring.

Bit 14 **RCH**: Second address chained

When set, this bit indicates that the second address in the descriptor is the next descriptor address rather than the second buffer address. When this bit is set, RBS2 (RDES1[28:16]) is a "don't care" value. RDES1[15] takes precedence over RDES1[14].

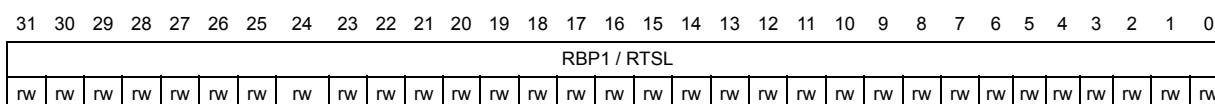
Bit 13 Reserved, must be kept at reset value.

Bits 12:0 **RBS1**: Receive buffer 1 size

Indicates the first data buffer size in bytes. The buffer size must be a multiple of 4, 8 or 16, depending upon the bus widths (32, 64 or 128), even if the value of RDES2 (buffer1 address pointer) is not aligned. When the buffer size is not a multiple of 4, 8 or 16, the resulting behavior is undefined. If this field is 0, the DMA ignores this buffer and uses Buffer 2 or next descriptor depending on the value of RCH (bit 14).

- RDES2: Receive descriptor Word2**

RDES2 contains the address pointer to the first data buffer in the descriptor, or it contains time stamp data.



Bits 31:0 **RBAP1 / RTSL**: Receive buffer 1 address pointer / Receive frame time stamp low

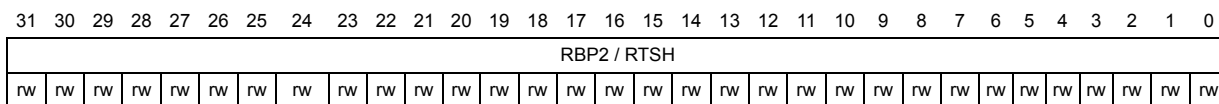
These bits take on two different functions: the application uses them to indicate to the DMA where to store the data in memory, and then after transferring all the data the DMA may use these bits to pass back time stamp data.

RBAP1: When the software makes this descriptor available to the DMA (at the moment that the OWN bit is set to 1 in RDES0), these bits indicate the physical address of Buffer 1. There are no limitations on the buffer address alignment except for the following condition: the DMA uses the configured value for its address generation when the RDES2 value is used to store the start of frame. Note that the DMA performs a write operation with the RDES2[3/2/1:0] bits as 0 during the transfer of the start of frame but the frame data is shifted as per the actual buffer address pointer. The DMA ignores RDES2[3/2/1:0] (corresponding to bus width of 128/64/32) if the address pointer is to a buffer where the middle or last part of the frame is stored.

RTSL: Before it clears the OWN bit in RDES0, the DMA updates this field with the 32 least significant bits of the time stamp captured for the corresponding receive frame (overwriting the value for RBAP1). This field has the time stamp only if time stamping is activated for this frame and if the Last segment control bit (LS) in the descriptor is set.

- **RDES3: Receive descriptor Word3**

RDES3 contains the address pointer either to the second data buffer in the descriptor or to the next descriptor, or it contains time stamp data.



Bits 31:0 **RBAP2 / RTSH**: Receive buffer 2 address pointer (next descriptor address) / Receive frame time stamp high

These bits take on two different functions: the application uses them to indicate to the DMA the location of where to store the data in memory, and then after transferring all the data the DMA may use these bits to pass back time stamp data.

RBAP1: When the software makes this descriptor available to the DMA (at the moment that the OWN bit is set to 1 in RDES0), these bits indicate the physical address of buffer 2 when a descriptor ring structure is used. If the second address chained (RDES1 [24]) bit is set, this address contains the pointer to the physical memory where the next descriptor is present. If RDES1 [24] is set, the buffer (next descriptor) address pointer must be bus width-aligned (RDES3[3, 2, or 1:0] = 0, corresponding to a bus width of 128, 64 or 32. LSBs are ignored internally.)

However, when RDES1 [24] is reset, there are no limitations on the RDES3 value, except for the following condition: the DMA uses the configured value for its buffer address generation when the RDES3 value is used to store the start of frame. The DMA ignores RDES3[3, 2, or 1:0] (corresponding to a bus width of 128, 64 or 32) if the address pointer is to a buffer where the middle or last part of the frame is stored.

RTSH: Before it clears the OWN bit in RDES0, the DMA updates this field with the 32 most significant bits of the time stamp captured for the corresponding receive frame (overwriting the value for RBAP2). This field has the time stamp only if time stamping is activated and if the Last segment control bit (LS) in the descriptor is set.

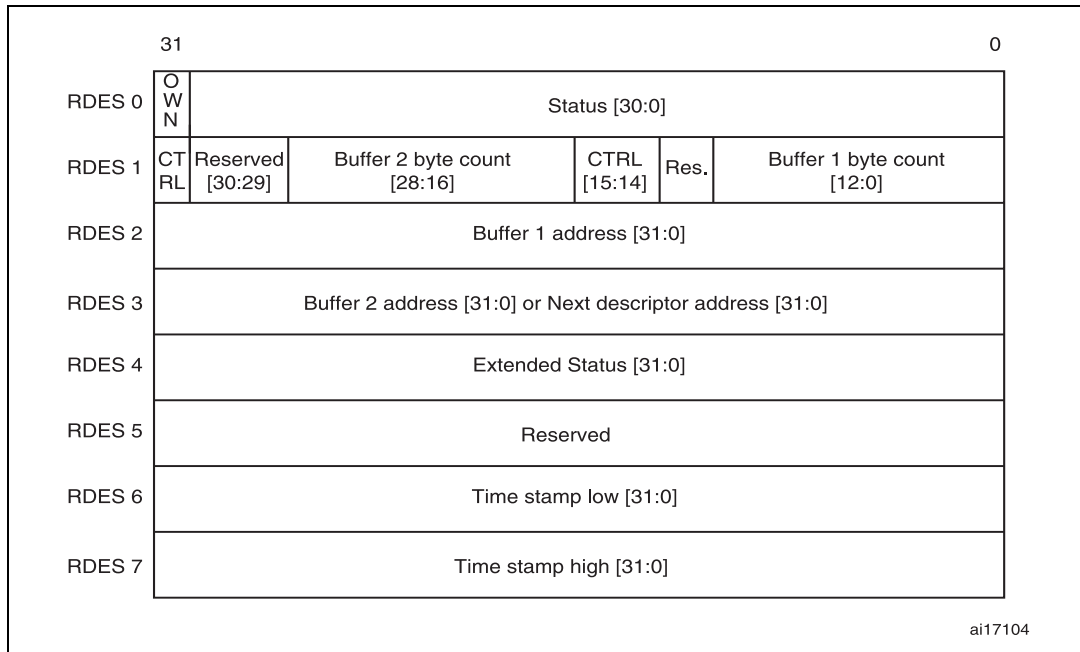
Enhanced Rx DMA descriptors format with IEEE1588 time stamp

Enhanced descriptors (enabled with EDFE=1, ETHDMABMR bit 7), must be used if time stamping is activated (TSE=1, ETH_PTPTSCR bit 0) or if IPv4 checksum offload is activated (IPCO=1, ETH_MACCR bit 10).

Enhanced descriptors comprise eight 32-bit words, twice the size of normal descriptors. RDES0, RDES1, RDES2 and RDES3 have the same definitions as for normal receive descriptors (refer to [Normal Rx DMA descriptors](#)). RDES4 contains extended status while RDES6 and RDES7 hold the time stamp. RDES4, RDES5, RDES6 and RDES7 are defined below.

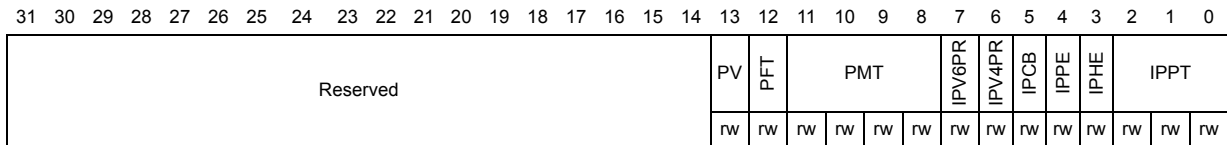
When the Enhanced descriptor mode is selected, the software needs to allocate 32 bytes (8 words) of memory for every descriptor. When time stamping or IPv4 checksum offload are not being used, the enhanced descriptor format may be disabled and the software can use normal descriptors with the default size of 16 bytes.

Figure 346. Enhanced receive descriptor field format with IEEE1588 time stamp enabled



- RDES4: Receive descriptor Word4

The extended status, shown below, is valid only when there is status related to IPv4 checksum or time stamp available as indicated by bit 0 in RDES0.



Bits 31:14 Reserved, must be kept at reset value.

Bit 13 **PV**: PTP version

When set, indicates that the received PTP message uses the IEEE 1588 version 2 format. When cleared, it uses version 1 format. This is valid only if the message type is non-zero.

Bit 12 **PFT**: PTP frame type

When set, this bit indicates that the PTP message is sent directly over Ethernet. When this bit is cleared and the message type is non-zero, it indicates that the PTP message is sent over UDP-IPv4 or UDP-IPv6. The information on IPv4 or IPv6 can be obtained from bits 6 and 7.

Bits 11:8 **PMT**: PTP message type

These bits are encoded to give the type of the message received.

- 0000: No PTP message received
- 0001: SYNC (all clock types)
- 0010: Follow_Up (all clock types)
- 0011: Delay_Req (all clock types)
- 0100: Delay_Resp (all clock types)
- 0101: Pdelay_Req (in peer-to-peer transparent clock) or Announce (in ordinary or boundary clock)
- 0110: Pdelay_Resp (in peer-to-peer transparent clock) or Management (in ordinary or boundary clock)
- 0111: Pdelay_Resp_Follow_Up (in peer-to-peer transparent clock) or Signaling (for ordinary or boundary clock)
- 1xxx - Reserved

Bit 7 **IPV6PR**: IPv6 packet received

When set, this bit indicates that the received packet is an IPv6 packet.

Bit 6 **IPV4PR**: IPv4 packet received

When set, this bit indicates that the received packet is an IPv4 packet.

Bit 5 **IPCB**: IP checksum bypassed

When set, this bit indicates that the checksum offload engine is bypassed.

Bit 4 **IPPE**: IP payload error

When set, this bit indicates that the 16-bit IP payload checksum (that is, the TCP, UDP, or ICMP checksum) that the core calculated does not match the corresponding checksum field in the received segment. It is also set when the TCP, UDP, or ICMP segment length does not match the payload length value in the IP Header field.

Bit 3 **IPHE**: IP header error

When set, this bit indicates either that the 16-bit IPv4 header checksum calculated by the core does not match the received checksum bytes, or that the IP datagram version is not consistent with the Ethernet Type value.

Bits 2:0 **IPPT**: IP payload type

if IPv4 checksum offload is activated (IPCO=1, ETH_MACCR bit 10), these bits indicate the type of payload encapsulated in the IP datagram. These bits are '00' if there is an IP header error or fragmented IP.

- 000: Unknown or did not process IP payload
- 001: UDP
- 010: TCP
- 011: ICMP
- 1xx: Reserved

- RDES5: Receive descriptor Word5

Reserved.

- **RDES6: Receive descriptor Word6**

The table below describes the fields that have different meaning for RDES6 when the receive descriptor is closed and time stamping is enabled.

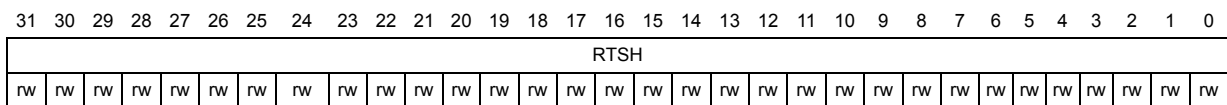


Bits 31:0 **RTSL**: Receive frame time stamp low

The DMA updates this field with the 32 least significant bits of the time stamp captured for the corresponding receive frame. The DMA updates this field only for the last descriptor of the receive frame indicated by last descriptor status bit (RDES0[8]). When this field and the RTSH field in RDES7 show all ones, the time stamp must be treated as corrupt.

- **RDES7: Receive descriptor Word7**

The table below describes the fields that have a different meaning for RDES7 when the receive descriptor is closed and time stamping is enabled.



Bits 31:0 **RTSH**: Receive frame time stamp high

The DMA updates this field with the 32 most significant bits of the time stamp captured for the corresponding receive frame. The DMA updates this field only for the last descriptor of the receive frame indicated by last descriptor status bit (RDES0[8]).
When this field and RDES7's RTSL field show all ones, the time stamp must be treated as corrupt.

28.6.9 DMA interrupts

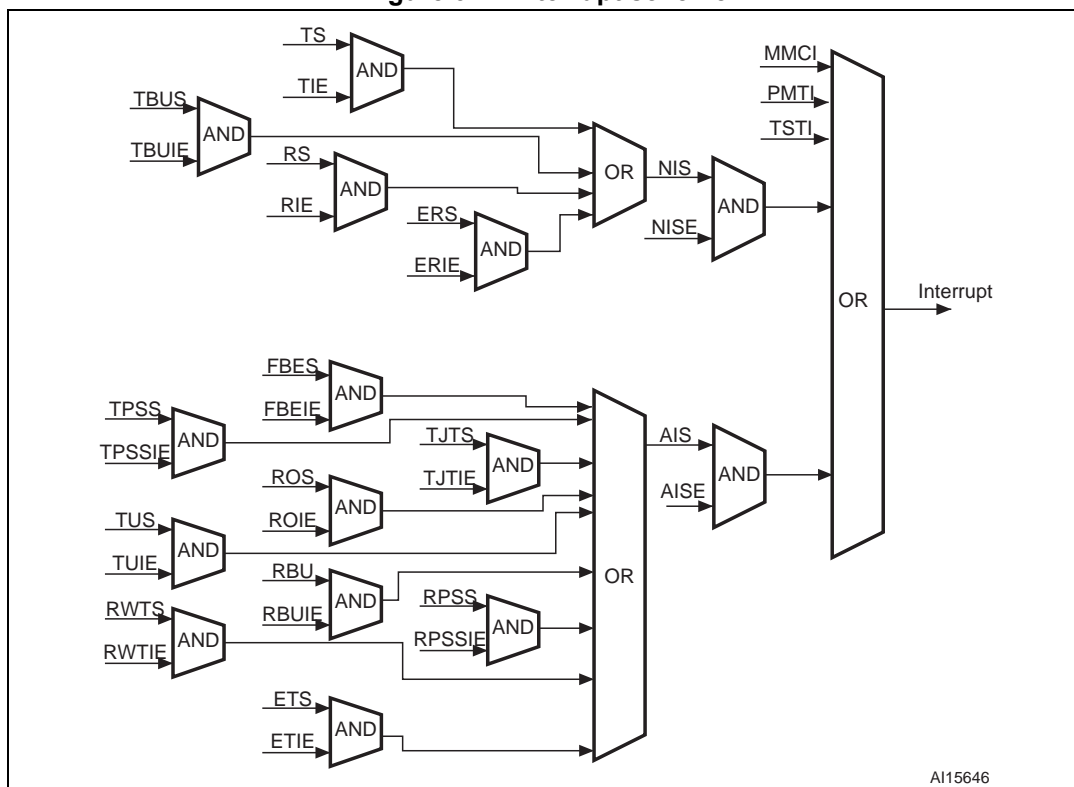
Interrupts can be generated as a result of various events. The ETH_DMASR register contains all the bits that might cause an interrupt. The ETH_DMAIER register contains an enable bit for each of the events that can cause an interrupt.

There are two groups of interrupts, Normal and Abnormal, as described in the ETH_DMASR register. Interrupts are cleared by writing a 1 to the corresponding bit position. When all the enabled interrupts within a group are cleared, the corresponding summary bit is cleared. If the MAC core is the cause for assertion of the interrupt, then any of the TSTS or PMTS bits in the ETH_DMASR register is set high.

Interrupts are not queued and if the interrupt event occurs before the driver has responded to it, no additional interrupts are generated. For example, the Receive Interrupt bit (ETH_DMASR register [6]) indicates that one or more frames were transferred to the STM32F20x and STM32F21x buffer. The driver must scan all descriptors, from the last recorded position to the first one owned by the DMA.

An interrupt is generated only once for simultaneous, multiple events. The driver must scan the ETH_DMASR register for the cause of the interrupt. The interrupt is not generated again unless a new interrupting event occurs, after the driver has cleared the appropriate bit in the ETH_DMASR register. For example, the controller generates a Receive interrupt (ETH_DMASR register[6]) and the driver begins reading the ETH_DMASR register. Next, receive buffer unavailable (ETH_DMASR register[7]) occurs. The driver clears the Receive interrupt. Even then, a new interrupt is generated, due to the active or pending Receive buffer unavailable interrupt.

Figure 347. Interrupt scheme



AI15646

28.7 Ethernet interrupts

The Ethernet controller has two interrupt vectors: one dedicated to normal Ethernet operations and the other, used only for the Ethernet wake-up event (with wake-up frame or Magic Packet detection) when it is mapped on EXTI line 19.

The first Ethernet vector is reserved for interrupts generated by the MAC and the DMA as listed in the *MAC interrupts* and *DMA interrupts* sections.

The second vector is reserved for interrupts generated by the PMT on wake-up events. The mapping of a wake-up event on EXTI line 19 causes the STM32F20x and STM32F21x to exit the low-power mode, and generates an interrupt.

When an Ethernet wake-up event mapped on EXTI Line 19 occurs and the MAC PMT interrupt is enabled and the EXTI Line 19 interrupt, with detection on rising edge, is also enabled, both interrupts are generated.

A watchdog timer (see ETH_DMARSWTR register) is given for flexible control of the RS bit (ETH_DMA_SR register). When this watchdog timer is programmed with a non-zero value, it gets activated as soon as the RxDMA completes a transfer of a received frame to system memory without asserting the Receive Status because it is not enabled in the corresponding Receive descriptor (RDES1[31]). When this timer runs out as per the programmed value, the RS bit is set and the interrupt is asserted if the corresponding RIE is enabled in the ETH_DMAIER register. This timer is disabled before it runs out, when a frame is transferred to memory and the RS is set because it is enabled for that descriptor.

Note: Reading the PMT control and status register automatically clears the Wake-up Frame Received and Magic Packet Received PMT interrupt flags. However, since the registers for these flags are in the CLK_RX domain, there may be a significant delay before this update is visible by the firmware. The delay is especially long when the RX clock is slow (in 10 Mbit mode) and when the AHB bus is high-frequency. Since interrupt requests from the PMT to the CPU are based on the same registers in the CLK_RX domain, the CPU may spuriously call the interrupt routine a second time even after reading PMT_CSR. Thus, it may be necessary that the firmware polls the Wake-up Frame Received and Magic Packet Received bits and exits the interrupt service routine only when they are found to be at '0'.

28.8 Ethernet register descriptions

The peripheral registers can be accessed by bytes (8-bit), half-words (16-bit) or words (32-bits).

28.8.1 MAC register description

Ethernet MAC configuration register (ETH_MACCR)

Address offset: 0x0000

Reset value: 0x0000 8000

The MAC configuration register is the operation mode register of the MAC. It establishes receive and transmit operating modes.

31	30	29	28	27	26	25	24	23	22	21	20	19	18	17	16	15	14	13	12	11	10	9	8	7	6	5	4	3	2	1	0
Reserved						CSTF	Reserved	WD	JD	Reserved	IFG	CSD	Reserved	FES	ROD	LM	DM	IPCO	RD	Reserved	APCS	BL	DC	TE	RE	Reserved					
						rw		rw	rw		rw	rw		rw	rw	rw	rw	rw	rw		rw	rw	rw	rw	rw						

Bits 31:26 Reserved, must be kept at reset value.

CSTF: CRC stripping for Type frames

Bit 25 When set, the last 4 bytes (FCS) of all frames of Ether type (type field greater than 0x0600) are stripped and dropped before forwarding the frame to the application.

Bit 24 Reserved, must be kept at reset value.

Bit 23 **WD:** Watchdog disable

When this bit is set, the MAC disables the watchdog timer on the receiver, and can receive frames of up to 16 384 bytes.

When this bit is reset, the MAC allows no more than 2 048 bytes of the frame being received and cuts off any bytes received after that.

Bit 22 **JD:** Jabber disable

When this bit is set, the MAC disables the jabber timer on the transmitter, and can transfer frames of up to 16 384 bytes.

When this bit is reset, the MAC cuts off the transmitter if the application sends out more than 2 048 bytes of data during transmission.

Bits 21:20 Reserved, must be kept at reset value.

- Bits 19:17 **IFG**: Interframe gap
These bits control the minimum interframe gap between frames during transmission.
000: 96 bit times
001: 88 bit times
010: 80 bit times
....
111: 40 bit times
Note: In Half-duplex mode, the minimum IFG can be configured for 64 bit times (IFG = 100) only. Lower values are not considered.
- Bit 16 **CSD**: Carrier sense disable
When set high, this bit makes the MAC transmitter ignore the MII CRS signal during frame transmission in Half-duplex mode. No error is generated due to Loss of Carrier or No Carrier during such transmission.
When this bit is low, the MAC transmitter generates such errors due to Carrier Sense and even aborts the transmissions.
- Bit 15 Reserved, must be kept at reset value.
- Bit 14 **FES**: Fast Ethernet speed
Indicates the speed in Fast Ethernet (MII) mode:
0: 10 Mbit/s
1: 100 Mbit/s
- Bit 13 **ROD**: Receive own disable
When this bit is set, the MAC disables the reception of frames in Half-duplex mode.
When this bit is reset, the MAC receives all packets that are given by the PHY while transmitting.
This bit is not applicable if the MAC is operating in Full-duplex mode.
- Bit 12 **LM**: Loopback mode
When this bit is set, the MAC operates in loopback mode at the MII. The MII receive clock input (RX_CLK) is required for the loopback to work properly, as the transmit clock is not looped-back internally.
- Bit 11 **DM**: Duplex mode
When this bit is set, the MAC operates in a Full-duplex mode where it can transmit and receive simultaneously.
- Bit 10 **IPCO**: IPv4 checksum offload
When set, this bit enables IPv4 checksum checking for received frame payloads' TCP/UDP/ICMP headers. When this bit is reset, the checksum offload function in the receiver is disabled and the corresponding PCE and IP HCE status bits (see [Table 143](#)) are always cleared.
- Bit 9 **RD**: Retry disable
When this bit is set, the MAC attempts only 1 transmission. When a collision occurs on the MII, the MAC ignores the current frame transmission and reports a Frame Abort with excessive collision error in the transmit frame status.
When this bit is reset, the MAC attempts retries based on the settings of BL.
Note: This bit is applicable only in the Half-duplex mode.
- Bit 8 Reserved, must be kept at reset value.

Bit 7 APCS: Automatic pad/CRC stripping

When this bit is set, the MAC strips the Pad/FCS field on incoming frames only if the length's field value is less than or equal to 1 500 bytes. All received frames with length field greater than or equal to 1 501 bytes are passed on to the application without stripping the Pad/FCS field.

When this bit is reset, the MAC passes all incoming frames unmodified.

Bits 6:5 BL: Back-off limit

The Back-off limit determines the random integer number (r) of slot time delays (4 096 bit times for 1000 Mbit/s and 512 bit times for 10/100 Mbit/s) the MAC waits before rescheduling a transmission attempt during retries after a collision.

Note: This bit is applicable only to Half-duplex mode.

00: $k = \min(n, 10)$

01: $k = \min(n, 8)$

10: $k = \min(n, 4)$

11: $k = \min(n, 1)$,

where n = retransmission attempt. The random integer r takes the value in the range $0 \leq r < 2^k$

Bit 4 DC: Deferral check

When this bit is set, the deferral check function is enabled in the MAC. The MAC issues a Frame Abort status, along with the excessive deferral error bit set in the transmit frame status when the transmit state machine is deferred for more than 24 288 bit times in 10/100-Mbit/s mode. Deferral begins when the transmitter is ready to transmit, but is prevented because of an active CRS (carrier sense) signal on the MII. Defer time is not cumulative. If the transmitter defers for 10 000 bit times, then transmits, collides, backs off, and then has to defer again after completion of back-off, the deferral timer resets to 0 and restarts.

When this bit is reset, the deferral check function is disabled and the MAC defers until the CRS signal goes inactive. This bit is applicable only in Half-duplex mode.

Bit 3 TE: Transmitter enable

When this bit is set, the transmit state machine of the MAC is enabled for transmission on the MII. When this bit is reset, the MAC transmit state machine is disabled after the completion of the transmission of the current frame, and does not transmit any further frames.

Bit 2 RE: Receiver enable

When this bit is set, the receiver state machine of the MAC is enabled for receiving frames from the MII. When this bit is reset, the MAC receive state machine is disabled after the completion of the reception of the current frame, and does not receive any further frames from the MII.

Bits 1:0 Reserved, must be kept at reset value.

Ethernet MAC frame filter register (ETH_MACFFR)

Address offset: 0x0004

Reset value: 0x0000 0000

The MAC frame filter register contains the filter controls for receiving frames. Some of the controls from this register go to the address check block of the MAC, which performs the first level of address filtering. The second level of filtering is performed on the incoming frame, based on other controls such as pass bad frames and pass control frames.

	31	30	29	28	27	26	25	24	23	22	21	20	19	18	17	16	15	14	13	12	11	10	9	8	7	6	5	4	3	2	1	0					
RA	Reserved																					HPF	SAF	SAIF	PCF	BFD	PAM	DAIF	HM	HU	PM						
r/w																						r/w	r/w	r/w	r/w	r/w	r/w	r/w	r/w	r/w	r/w						

Bit 31 **RA**: Receive all

When this bit is set, the MAC receiver passes all received frames on to the application, irrespective of whether they have passed the address filter. The result of the SA/DA filtering is updated (pass or fail) in the corresponding bits in the receive status word. When this bit is reset, the MAC receiver passes on to the application only those frames that have passed the SA/DA address filter.

Bits 30:11 Reserved, must be kept at reset value.

Bit 10 **HPF**: Hash or perfect filter

When this bit is set and if the HM or HU bit is set, the address filter passes frames that match either the perfect filtering or the hash filtering.
When this bit is cleared and if the HU or HM bit is set, only frames that match the Hash filter are passed.

Bit 9 **SAF**: Source address filter

The MAC core compares the SA field of the received frames with the values programmed in the enabled SA registers. If the comparison matches, then the SAMatch bit in the RxStatus word is set high. When this bit is set high and the SA filter fails, the MAC drops the frame. When this bit is reset, the MAC core forwards the received frame to the application. It also forwards the updated SA Match bit in RxStatus depending on the SA address comparison.

Bit 8 **SAIF**: Source address inverse filtering

When this bit is set, the address check block operates in inverse filtering mode for the SA address comparison. The frames whose SA matches the SA registers are marked as failing the SA address filter.
When this bit is reset, frames whose SA does not match the SA registers are marked as failing the SA address filter.

Bits 7:6 **PCF**: Pass control frames

These bits control the forwarding of all control frames (including unicast and multicast PAUSE frames). Note that the processing of PAUSE control frames depends only on RFCE in Flow Control Register[2].
00: MAC prevents all control frames from reaching the application
01: MAC forwards all control frames to application except Pause control frames
10: MAC forwards all control frames to application even if they fail the address filter
11: MAC forwards control frames that pass the address filter.
These bits control the forwarding of all control frames (including unicast and multicast PAUSE frames). Note that the processing of PAUSE control frames depends only on RFCE in Flow Control register[2].
00 or 01: MAC prevents all control frames from reaching the application
10: MAC forwards all control frames to application even if they fail the address filter
11: MAC forwards control frames that pass the address filter.

Bit 5 **BFD**: Broadcast frames disable

When this bit is set, the address filters filter all incoming broadcast frames.
When this bit is reset, the address filters pass all received broadcast frames.

Bit 4 **PAM**: Pass all multicast

When set, this bit indicates that all received frames with a multicast destination address (first bit in the destination address field is '1') are passed.
When reset, filtering of multicast frame depends on the HM bit.

Bit 3 **DAIF**: Destination address inverse filtering

When this bit is set, the address check block operates in inverse filtering mode for the DA address comparison for both unicast and multicast frames.
When reset, normal filtering of frames is performed.

Bit 2 **HM**: Hash multicast

When set, MAC performs destination address filtering of received multicast frames according to the hash table.
When reset, the MAC performs a perfect destination address filtering for multicast frames, that is, it compares the DA field with the values programmed in DA registers.

Bit 1 **HU**: Hash unicast

When set, MAC performs destination address filtering of unicast frames according to the hash table.
When reset, the MAC performs a perfect destination address filtering for unicast frames, that is, it compares the DA field with the values programmed in DA registers.

Bit 0 **PM**: Promiscuous mode

When this bit is set, the address filters pass all incoming frames regardless of their destination or source address. The SA/DA filter fails status bits in the receive status word are always cleared when PM is set.

Ethernet MAC hash table high register (ETH_MACHTHR)

Address offset: 0x0008

Reset value: 0x0000 0000

The 64-bit Hash table is used for group address filtering. For hash filtering, the contents of the destination address in the incoming frame are passed through the CRC logic, and the upper 6 bits in the CRC register are used to index the contents of the Hash table. This CRC is a 32-bit value coded by the following polynomial (for more details refer to [Section 28.5.3](#)):

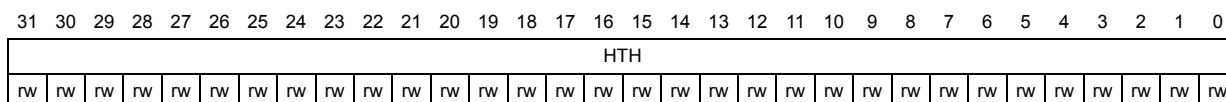
$$G(x) = x^{32} + x^{26} + x^{23} + x^{22} + x^{16} + x^{12} + x^{11} + x^{10} + x^8 + x^7 + x^5 + x^4 + x^2 + x + 1$$

The most significant bit determines the register to be used (hash table high/hash table low), and the other 5 bits determine which bit within the register. A hash value of 0b0 0000 selects bit 0 in the selected register, and a value of 0b1 1111 selects bit 31 in the selected register.

For example, if the DA of the incoming frame is received as 0x1F52 419C B6AF (0x1F is the first byte received on the MII interface), then the internally calculated 6-bit Hash value is 0x2C and the HTH register bit[12] is checked for filtering. If the DA of the incoming frame is received as 0xA00A 9800 0045, then the calculated 6-bit Hash value is 0x07 and the HTL register bit[7] is checked for filtering.

If the corresponding bit value in the register is 1, the frame is accepted. Otherwise, it is rejected. If the PAM (pass all multicast) bit is set in the ETH_MACFFR register, then all multicast frames are accepted regardless of the multicast hash values.

The Hash table high register contains the higher 32 bits of the multicast Hash table.



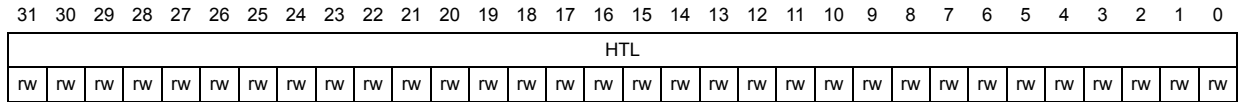
Bits 31:0 **HTH**: Hash table high
This field contains the upper 32 bits of Hash table.

Ethernet MAC hash table low register (ETH_MACHTLR)

Address offset: 0x000C

Reset value: 0x0000 0000

The Hash table low register contains the lower 32 bits of the multi-cast Hash table.



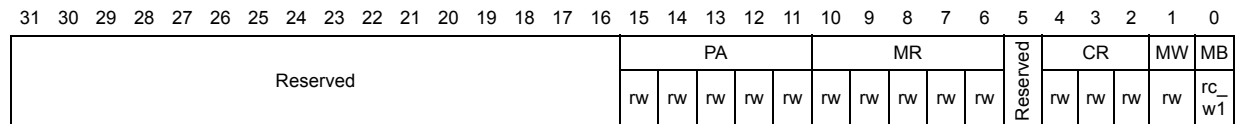
Bits 31:0 **HTL**: Hash table low
 This field contains the lower 32 bits of the Hash table.

Ethernet MAC MII address register (ETH_MACMIAR)

Address offset: 0x0010

Reset value: 0x0000 0000

The MII address register controls the management cycles to the external PHY through the management interface.



- Bits 31:16 **Reserved**, must be kept at reset value.
- Bits 15:11 **PA**: PHY address
 This field tells which of the 32 possible PHY devices are being accessed.
- Bits 10:6 **MR**: MII register
 These bits select the desired MII register in the selected PHY device.
- Bit 5 **Reserved**, must be kept at reset value.
- Bits 4:2 **CR**: Clock range
 The CR clock range selection determines the HCLK frequency and is used to decide the frequency of the MDC clock:
 Selection HCLK MDC clock
 000 60-100 MHz HCLK/42
 001 100-120 MHz HCLK/62
 010 20-35 MHz HCLK/16
 011 35-60 MHz HCLK/26
 100, 101, 110, 111 Reserved -

Bit 1 **MW**: MII write

When set, this bit tells the PHY that this is a Write operation using the MII Data register. If this bit is not set, this is a Read operation, placing the data in the MII Data register.

Bit 0 **MB**: MII busy

This bit should read a logic 0 before writing to ETH_MACMIIAR and ETH_MACMIIDR. This bit must also be reset to 0 during a Write to ETH_MACMIIAR. During a PHY register access, this bit is set to 0b1 by the application to indicate that a read or write access is in progress. ETH_MACMIIDR (MII Data) should be kept valid until this bit is cleared by the MAC during a PHY Write operation. The ETH_MACMIIDR is invalid until this bit is cleared by the MAC during a PHY Read operation. The ETH_MACMIIAR (MII Address) should not be written to until this bit is cleared.

Ethernet MAC MII data register (ETH_MACMIIDR)

Address offset: 0x0014

Reset value: 0x0000 0000

The MAC MII Data register stores write data to be written to the PHY register located at the address specified in ETH_MACMIIAR. ETH_MACMIIDR also stores read data from the PHY register located at the address specified by ETH_MACMIIAR.

31	30	29	28	27	26	25	24	23	22	21	20	19	18	17	16	MD																
Reserved															r/w	r/w	r/w	r/w	r/w	r/w	r/w	r/w	r/w	r/w	r/w	r/w	r/w	r/w	r/w	r/w	r/w	r/w

Bits 31:16 Reserved, must be kept at reset value.

Bits 15:0 **MD**: MII data

This contains the 16-bit data value read from the PHY after a Management Read operation, or the 16-bit data value to be written to the PHY before a Management Write operation.

Ethernet MAC flow control register (ETH_MACFCR)

Address offset: 0x0018

Reset value: 0x0000 0000

The Flow control register controls the generation and reception of the control (Pause Command) frames by the MAC. A write to a register with the Busy bit set to '1' causes the MAC to generate a pause control frame. The fields of the control frame are selected as specified in the 802.3x specification, and the Pause Time value from this register is used in the Pause Time field of the control frame. The Busy bit remains set until the control frame is transferred onto the cable. The Host must make sure that the Busy bit is cleared before writing to the register.

31	30	29	28	27	26	25	24	23	22	21	20	19	18	17	16	Reserved										ZQPD	Reserved		PLT	UPFD	RFCE	TFCE	FCB/BPA	
r/w	r/w	r/w	r/w	r/w	r/w	r/w	r/w	r/w	r/w	r/w	r/w	r/w	r/w	r/w	r/w											r/w	Reserved		r/w	r/w	r/w	r/w	r/w	rc_w1 /r/w



Bits 31:16 PT: Pause time

This field holds the value to be used in the Pause Time field in the transmit control frame. If the Pause Time bits is configured to be double-synchronized to the MII clock domain, then consecutive write operations to this register should be performed only after at least 4 clock cycles in the destination clock domain.

Bits 15:8 Reserved, must be kept at reset value.

Bit 7 ZQPD: Zero-quanta pause disable

When set, this bit disables the automatic generation of Zero-quanta pause control frames on the deassertion of the flow-control signal from the FIFO layer.

When this bit is reset, normal operation with automatic Zero-quanta pause control frame generation is enabled.

Bit 6 Reserved, must be kept at reset value.

Bits 5:4 PLT: Pause low threshold

This field configures the threshold of the Pause timer at which the Pause frame is automatically retransmitted. The threshold values should always be less than the Pause Time configured in bits[31:16]. For example, if PT = 100H (256 slot-times), and PLT = 01, then a second PAUSE frame is automatically transmitted if initiated at 228 (256 – 28) slot-times after the first PAUSE frame is transmitted.

Selection Threshold

00 Pause time minus 4 slot times

01 Pause time minus 28 slot times

10 Pause time minus 144 slot times

11 Pause time minus 256 slot times

Slot time is defined as time taken to transmit 512 bits (64 bytes) on the MII interface.

Bit 3 UPFD: Unicast pause frame detect

When this bit is set, the MAC detects the Pause frames with the station's unicast address specified in the ETH_MACA0HR and ETH_MACA0LR registers, in addition to detecting Pause frames with the unique multicast address.

When this bit is reset, the MAC detects only a Pause frame with the unique multicast address specified in the 802.3x standard.

Bit 2 RFCE: Receive flow control enable

When this bit is set, the MAC decodes the received Pause frame and disables its transmitter for a specified (Pause Time) time.

When this bit is reset, the decode function of the Pause frame is disabled.

Bit 1 TFCE: Transmit flow control enable

In Full-duplex mode, when this bit is set, the MAC enables the flow control operation to transmit Pause frames. When this bit is reset, the flow control operation in the MAC is disabled, and the MAC does not transmit any Pause frames.

In Half-duplex mode, when this bit is set, the MAC enables the back-pressure operation. When this bit is reset, the back pressure feature is disabled.

Bit 0 FCB/BPA: Flow control busy/back pressure activate

This bit initiates a Pause Control frame in Full-duplex mode and activates the back pressure function in Half-duplex mode if TFCE bit is set.

In Full-duplex mode, this bit should be read as 0 before writing to the Flow control register. To initiate a Pause control frame, the Application must set this bit to 1. During a transfer of the Control frame, this bit continues to be set to signify that a frame transmission is in progress. After completion of the Pause control frame transmission, the MAC resets this bit to 0. The Flow control register should not be written to until this bit is cleared.

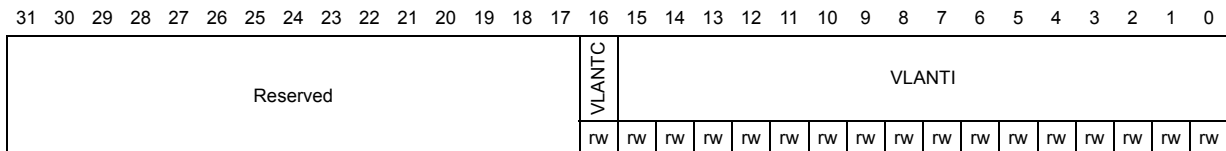
In Half-duplex mode, when this bit is set (and TFCE is set), back pressure is asserted by the MAC core. During back pressure, when the MAC receives a new frame, the transmitter starts sending a JAM pattern resulting in a collision. When the MAC is configured to Full-duplex mode, the BPA is automatically disabled.

Ethernet MAC VLAN tag register (ETH_MACVLANTR)

Address offset: 0x001C

Reset value: 0x0000 0000

The VLAN tag register contains the IEEE 802.1Q VLAN Tag to identify the VLAN frames. The MAC compares the 13th and 14th bytes of the receiving frame (Length/Type) with 0x8100, and the following 2 bytes are compared with the VLAN tag; if a match occurs, the received VLAN bit in the receive frame status is set. The legal length of the frame is increased from 1518 bytes to 1522 bytes.



Bits 31:17 Reserved, must be kept at reset value.

Bit 16 **VLANTC**: 12-bit VLAN tag comparison

When this bit is set, a 12-bit VLAN identifier, rather than the complete 16-bit VLAN tag, is used for comparison and filtering. Bits[11:0] of the VLAN tag are compared with the corresponding field in the received VLAN-tagged frame.

When this bit is reset, all 16 bits of the received VLAN frame’s fifteenth and sixteenth bytes are used for comparison.

Bits 15:0 **VLANTI**: VLAN tag identifier (for receive frames)

This contains the 802.1Q VLAN tag to identify VLAN frames, and is compared to the fifteenth and sixteenth bytes of the frames being received for VLAN frames. Bits[15:13] are the user priority, Bit[12] is the canonical format indicator (CFI) and bits[11:0] are the VLAN tag’s VLAN identifier (VID) field. When the VLANTC bit is set, only the VID (bits[11:0]) is used for comparison.

If VLANTI (VLANTI[11:0] if VLANTC is set) is all zeros, the MAC does not check the fifteenth and sixteenth bytes for VLAN tag comparison, and declares all frames with a Type field value of 0x8100 as VLAN frames.

Ethernet MAC remote wake-up frame filter register (ETH_MACRWUFR)

Address offset: 0x0028

Reset value: 0x0000 0000

This is the address through which the remote wake-up frame filter registers are written/read by the application. The Wake-up frame filter register is actually a pointer to eight (not transparent) such wake-up frame filter registers. Eight sequential write operations to this address with the offset (0x0028) write all wake-up frame filter registers. Eight sequential read operations from this address with the offset (0x0028) read all wake-up frame filter registers. This register contains the higher 16 bits of the 7th MAC address. Refer to [Remote wake-up frame filter register](#) section for additional information.

Figure 348. Ethernet MAC remote wake-up frame filter register (ETH_MACRWUFR)

Wakeup frame filter reg0	Filter 0 Byte Mask							
Wakeup frame filter reg1	Filter 1 Byte Mask							
Wakeup frame filter reg2	Filter 2 Byte Mask							
Wakeup frame filter reg3	Filter 3 Byte Mask							
Wakeup frame filter reg4	RSVD	Filter 3 Command	RSVD	Filter 2 Command	RSVD	Filter 1 Command	RSVD	Filter 0 Command
Wakeup frame filter reg5	Filter 3 Offset		Filter 2 Offset		Filter 1 Offset		Filter 0 Offset	
Wakeup frame filter reg6	Filter 1 CRC - 16				Filter 0 CRC - 16			
Wakeup frame filter reg7	Filter 3 CRC - 16				Filter 2 CRC - 16			

ai15648

Ethernet MAC PMT control and status register (ETH_MACPMTCSR)

Address offset: 0x002C

Reset value: 0x0000 0000

The ETH_MACPMTCSR programs the request wake-up events and monitors the wake-up events.

	31	30	29	28	27	26	25	24	23	22	21	20	19	18	17	16	15	14	13	12	11	10	9	8	7	6	5	4	3	2	1	0					
WFFRPR	Reserved																						GU	Reserved		WFR	MPR	Reserved		WFE	MPE	PD					
rs	Res.																						rw			rc_r	rc_r			rw	rw	rs					

Bit 31 **WFFRPR**: Wake-up frame filter register pointer reset
 When set, it resets the Remote wake-up frame filter register pointer to 0b000. It is automatically cleared after 1 clock cycle.

Bits 30:10 Reserved, must be kept at reset value.

Bit 9 **GU**: Global unicast
 When set, it enables any unicast packet filtered by the MAC (DAF) address recognition to be a wake-up frame.

Bits 8:7 Reserved, must be kept at reset value.

Bit 6 **WFR**: Wake-up frame received
 When set, this bit indicates the power management event was generated due to reception of a wake-up frame. This bit is cleared by a read into this register.

Bit 5 **MPR**: Magic packet received
 When set, this bit indicates the power management event was generated by the reception of a Magic Packet. This bit is cleared by a read into this register.

Bits 4:3 Reserved, must be kept at reset value.

Bit 2 **WFE**: Wake-up frame enable
 When set, this bit enables the generation of a power management event due to wake-up frame reception.

Bit 1 **MPE**: Magic Packet enable
 When set, this bit enables the generation of a power management event due to Magic Packet reception.

Bit 0 **PD**: Power down
 When this bit is set, all received frames are dropped. This bit is cleared automatically when a magic packet or wake-up frame is received, and Power-down mode is disabled. Frames received after this bit is cleared are forwarded to the application. This bit must only be set when either the Magic Packet Enable or Wake-up Frame Enable bit is set high.

Ethernet MAC debug register (ETH_MACDBG)

Address offset: 0x0034

Reset value: 0x0000 0000

This debug register gives the status of all the main modules of the transmit and receive data paths and the FIFOs. An all-zero status indicates that the MAC core is in Idle state (and FIFOs are empty) and no activity is going on in the data paths.

31	30	29	28	27	26	25	24	23	22	21	20	19	18	17	16	15	14	13	12	11	10	9	8	7	6	5	4	3	2	1	0
Reserved				TFF	TFNE	Reserved	TFWA		TFRS		MTP	MTFCS		MMTEA	Reserved						RFFL		Reserved	RFRCS		RFWRA	Reserved	MSFRWCS		MMRPEA	
				ro	ro		ro	ro	ro	ro	ro	ro	ro	ro								ro	ro		ro	ro	ro		ro	ro	ro

Bits 31:26 Reserved, must be kept at reset value.

Bit 25 **TFF**: Tx FIFO full

When high, it indicates that the Tx FIFO is full and hence no more frames are accepted for transmission.

Bit 24 **TFNE**: Tx FIFO not empty

When high, it indicates that the Tx FIFO is not empty and has some data left for transmission.

Bit 23 Reserved, must be kept at reset value.

Bit 22 **TFWA**: Tx FIFO write active

When high, it indicates that the Tx FIFO write controller is active and transferring data to the Tx FIFO.

Bits 21:20 **TFRS**: Tx FIFO read status

This indicates the state of the Tx FIFO read controller:
 00: Idle state
 01: Read state (transferring data to the MAC transmitter)
 10: Waiting for TxStatus from MAC transmitter
 11: Writing the received TxStatus or flushing the Tx FIFO

Bit 19 **MTP**: MAC transmitter in pause

When high, it indicates that the MAC transmitter is in Pause condition (in full-duplex mode only) and hence does not schedule any frame for transmission

Bits 18:17 **MTFCS**: MAC transmit frame controller status

This indicates the state of the MAC transmit frame controller:
 00: Idle
 01: Waiting for Status of previous frame or IFG/backoff period to be over
 10: Generating and transmitting a Pause control frame (in full duplex mode)
 11: Transferring input frame for transmission

Bit 16 **MMTEA**: MAC MII transmit engine active

When high, it indicates that the MAC MII transmit engine is actively transmitting data and that it is not in the Idle state.

Bits 15:10 Reserved, must be kept at reset value.

- Bits 9:8 **RFFL**: Rx FIFO fill level
 This gives the status of the Rx FIFO fill-level:
 00: RxFIFO empty
 01: RxFIFO fill-level below flow-control de-activate threshold
 10: RxFIFO fill-level above flow-control activate threshold
 11: RxFIFO full

- Bit 7 Reserved, must be kept at reset value.

- Bits 6:5 **RFRCS**: Rx FIFO read controller status
 It gives the state of the Rx FIFO read controller:
 00: IDLE state
 01: Reading frame data
 10: Reading frame status (or time-stamp)
 11: Flushing the frame data and status

- Bit 4 **RFWRA**: Rx FIFO write controller active
 When high, it indicates that the Rx FIFO write controller is active and transferring a received frame to the FIFO.

- Bit 3 Reserved, must be kept at reset value.

- Bits 2:1 **MSFRWCS**: MAC small FIFO read / write controllers status
 When high, these bits indicate the respective active state of the small FIFO read and write controllers of the MAC receive frame controller module.

- Bit 0 **MMRPEA**: MAC MII receive protocol engine active
 When high, it indicates that the MAC MII receive protocol engine is actively receiving data and is not in the Idle state.

Ethernet MAC interrupt status register (ETH_MACSR)

Address offset: 0x0038

Reset value: 0x0000 0000

The ETH_MACSR register contents identify the events in the MAC that can generate an interrupt.

	15	14	13	12	11	10	9	8	7	6	5	4	3	2	1	0	
	Reserved						TSTS	Reserved			MMCTS	MMCRS	MMCS	PMTS	Reserved		
							rc_r				r	r	r	r			

- Bits 15:10 Reserved, must be kept at reset value.

- Bit 9 **TSTS**: Time stamp trigger status
 This bit is set high when the system time value equals or exceeds the value specified in the Target time high and low registers. This bit is cleared by reading the ETH_PTPTSSR register.

- Bits 8:7 Reserved, must be kept at reset value.

- Bit 6 **MMCTS**: MMC transmit status
 This bit is set high whenever an interrupt is generated in the [Ethernet MMC transmit interrupt register \(ETH_MMCTIR\)](#). This bit is cleared when all the bits in this interrupt register (ETH_MMCTIR) are cleared.

Bit 5 **MMCRS**: MMC receive status

This bit is set high whenever an interrupt is generated in the ETH_MMCRIR register. This bit is cleared when all the bits in this interrupt register (ETH_MMCRIR) are cleared.

Bit 4 **MMCS**: MMC status

This bit is set high whenever any of bits 6:5 is set high. It is cleared only when both bits are low.

Bit 3 **PMTS**: PMT status

This bit is set whenever a Magic packet or Wake-on-LAN frame is received in Power-down mode (see bits 5 and 6 in the ETH_MACPMTCSR register [Ethernet MAC PMT control and status register \(ETH_MACPMTCSR\)](#)). This bit is cleared when both bits[6:5], of this last register, are cleared due to a read operation to the ETH_MACPMTCSR register.

Bits 2:0 Reserved, must be kept at reset value.

Ethernet MAC interrupt mask register (ETH_MACIMR)

Address offset: 0x003C

Reset value: 0x0000 0000

The ETH_MACIMR register bits make it possible to mask the interrupt signal due to the corresponding event in the ETH_MACCSR register.

15	14	13	12	11	10	9	8	7	6	5	4	3	2	1	0	
Reserved						TSTIM	Reserved						PMTIM	Reserved		
						rw							rw			

Bits 15:10 Reserved, must be kept at reset value.

Bit 9 **TSTIM**: Time stamp trigger interrupt mask

When set, this bit disables the time stamp interrupt generation.

Bits 8:4 Reserved, must be kept at reset value.

Bit 3 **PMTIM**: PMT interrupt mask

When set, this bit disables the assertion of the interrupt signal due to the setting of the PMT Status bit in ETH_MACCSR.

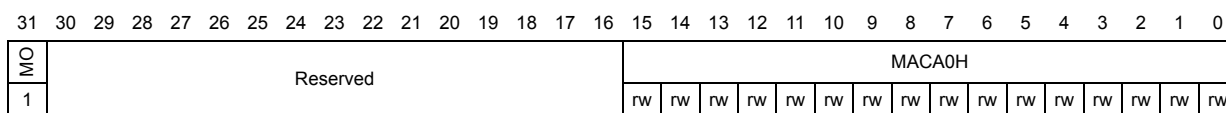
Bits 2:0 Reserved, must be kept at reset value.

Ethernet MAC address 0 high register (ETH_MACA0HR)

Address offset: 0x0040

Reset value: 0x8000 FFFF

The MAC address 0 high register holds the upper 16 bits of the 6-byte first MAC address of the station. Note that the first DA byte that is received on the MII interface corresponds to the LS Byte (bits [7:0]) of the MAC address low register. For example, if 0x1122 3344 5566 is received (0x11 is the first byte) on the MII as the destination address, then the MAC address 0 register [47:0] is compared with 0x6655 4433 2211.



Bit 31 **MO**: Always 1.

Bits 30:16 Reserved, must be kept at reset value.

Bits 15:0 **MACA0H**: MAC address0 high [47:32]

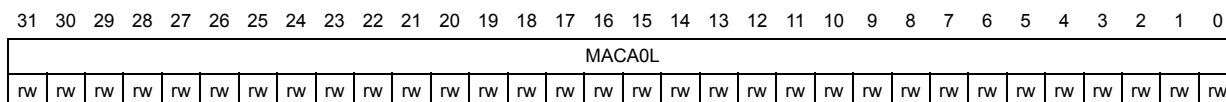
This field contains the upper 16 bits (47:32) of the 6-byte MAC address0. This is used by the MAC for filtering for received frames and for inserting the MAC address in the transmit flow control (Pause) frames.

Ethernet MAC address 0 low register (ETH_MACA0LR)

Address offset: 0x0044

Reset value: 0xFFFF FFFF

The MAC address 0 low register holds the lower 32 bits of the 6-byte first MAC address of the station.



Bits 31:0 **MACA0L**: MAC address0 low [31:0]

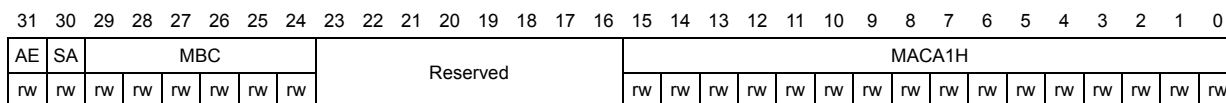
This field contains the lower 32 bits of the 6-byte MAC address0. This is used by the MAC for filtering for received frames and for inserting the MAC address in the transmit flow control (Pause) frames.

Ethernet MAC address 1 high register (ETH_MACA1HR)

Address offset: 0x0048

Reset value: 0x0000 FFFF

The MAC address 1 high register holds the upper 16 bits of the 6-byte second MAC address of the station.



Bit 31 **AE**: Address enable

When this bit is set, the address filters use the MAC address1 for perfect filtering. When this bit is cleared, the address filters ignore the address for filtering.

Bit 30 **SA**: Source address

When this bit is set, the MAC address1[47:0] is used for comparison with the SA fields of the received frame.
When this bit is cleared, the MAC address1[47:0] is used for comparison with the DA fields of the received frame.



Bits 29:24 **MBC**: Mask byte control

These bits are mask control bits for comparison of each of the MAC address1 bytes. When they are set high, the MAC core does not compare the corresponding byte of received DA/SA with the contents of the MAC address1 registers. Each bit controls the masking of the bytes as follows:

- Bit 29: ETH_MACA1HR [15:8]
- Bit 28: ETH_MACA1HR [7:0]
- Bit 27: ETH_MACA1LR [31:24]
- ...
- Bit 24: ETH_MACA1LR [7:0]

Bits 23:16 Reserved, must be kept at reset value.

Bits 15:0 **MACA1H**: MAC address1 high [47:32]

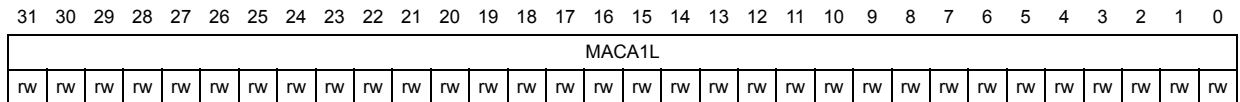
This field contains the upper 16 bits (47:32) of the 6-byte second MAC address.

Ethernet MAC address1 low register (ETH_MACA1LR)

Address offset: 0x004C

Reset value: 0xFFFF FFFF

The MAC address 1 low register holds the lower 32 bits of the 6-byte second MAC address of the station.



Bits 31:0 **MACA1L**: MAC address1 low [31:0]

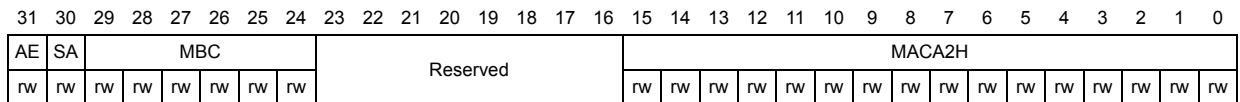
This field contains the lower 32 bits of the 6-byte MAC address1. The content of this field is undefined until loaded by the application after the initialization process.

Ethernet MAC address 2 high register (ETH_MACA2HR)

Address offset: 0x0050

Reset value: 0x0000 FFFF

The MAC address 2 high register holds the upper 16 bits of the 6-byte second MAC address of the station.



Bit 31 **AE**: Address enable

When this bit is set, the address filters use the MAC address2 for perfect filtering. When reset, the address filters ignore the address for filtering.

Bit 30 **SA**: Source address

When this bit is set, the MAC address 2 [47:0] is used for comparison with the SA fields of the received frame.

When this bit is reset, the MAC address 2 [47:0] is used for comparison with the DA fields of the received frame.

Bits 29:24 **MBC**: Mask byte control

These bits are mask control bits for comparison of each of the MAC address2 bytes. When set high, the MAC core does not compare the corresponding byte of received DA/SA with the contents of the MAC address 2 registers. Each bit controls the masking of the bytes as follows:

- Bit 29: ETH_MACA2HR [15:8]
- Bit 28: ETH_MACA2HR [7:0]
- Bit 27: ETH_MACA2LR [31:24]
- ...
- Bit 24: ETH_MACA2LR [7:0]

Bits 23:16 Reserved, must be kept at reset value.

Bits 15:0 **MACA2H**: MAC address2 high [47:32]

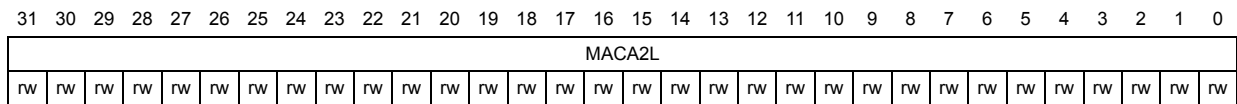
This field contains the upper 16 bits (47:32) of the 6-byte MAC address2.

Ethernet MAC address 2 low register (ETH_MACA2LR)

Address offset: 0x0054

Reset value: 0xFFFF FFFF

The MAC address 2 low register holds the lower 32 bits of the 6-byte second MAC address of the station.



Bits 31:0 **MACA2L**: MAC address2 low [31:0]

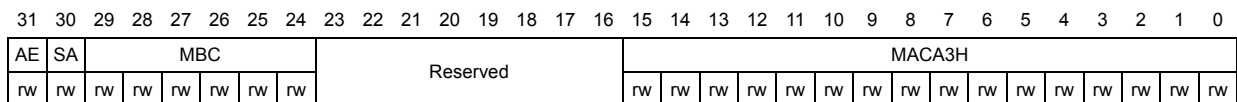
This field contains the lower 32 bits of the 6-byte second MAC address2. The content of this field is undefined until loaded by the application after the initialization process.

Ethernet MAC address 3 high register (ETH_MACA3HR)

Address offset: 0x0058

Reset value: 0x0000 FFFF

The MAC address 3 high register holds the upper 16 bits of the 6-byte second MAC address of the station.



Bit 31 **AE**: Address enable
 When this bit is set, the address filters use the MAC address3 for perfect filtering. When this bit is cleared, the address filters ignore the address for filtering.

Bit 30 **SA**: Source address
 When this bit is set, the MAC address 3 [47:0] is used for comparison with the SA fields of the received frame.
 When this bit is cleared, the MAC address 3[47:0] is used for comparison with the DA fields of the received frame.

Bits 29:24 **MBC**: Mask byte control
 These bits are mask control bits for comparison of each of the MAC address3 bytes. When these bits are set high, the MAC core does not compare the corresponding byte of received DA/SA with the contents of the MAC address 3 registers. Each bit controls the masking of the bytes as follows:
 – Bit 29: ETH_MACA3HR [15:8]
 – Bit 28: ETH_MACA3HR [7:0]
 – Bit 27: ETH_MACA3LR [31:24]
 ...
 – Bit 24: ETH_MACA3LR [7:0]

Bits 23:16 Reserved, must be kept at reset value.

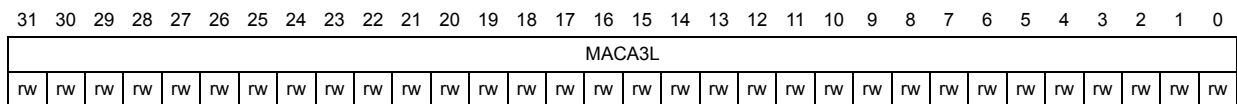
Bits 15:0 **MACA3H**: MAC address3 high [47:32]
 This field contains the upper 16 bits (47:32) of the 6-byte MAC address3.

Ethernet MAC address 3 low register (ETH_MACA3LR)

Address offset: 0x005C

Reset value: 0xFFFF FFFF

The MAC address 3 low register holds the lower 32 bits of the 6-byte second MAC address of the station.



Bits 31:0 **MACA3L**: MAC address3 low [31:0]
 This field contains the lower 32 bits of the 6-byte second MAC address3. The content of this field is undefined until loaded by the application after the initialization process.

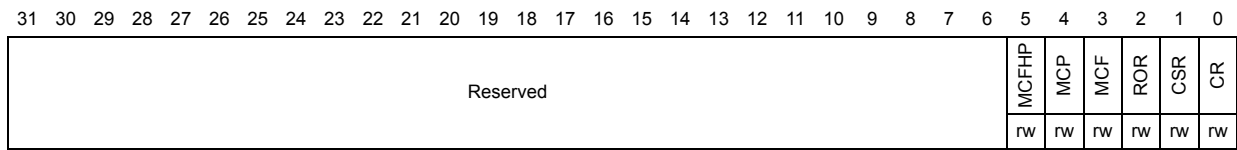
28.8.2 MMC register description

Ethernet MMC control register (ETH_MMCCR)

Address offset: 0x0100

Reset value: 0x0000 0000

The Ethernet MMC Control register establishes the operating mode of the management counters.



Bits 31:6 Reserved, must be kept at reset value.

MCFHP: MMC counter Full-Half preset

When MCFHP is low and bit4 is set, all MMC counters get preset to almost-half value. All frame-counters get preset to 0x7FFF_FFF0 (half - 16)

When MCFHP is high and bit4 is set, all MMC counters get preset to almost-full value. All frame-counters get preset to 0xFFFF_FFF0 (full - 16)

MCP: MMC counter preset

When set, all counters are initialized or preset to almost full or almost half as per Bit 5 above. This bit is cleared automatically after 1 clock cycle. This bit along with bit5 is useful for debugging and testing the assertion of interrupts due to MMC counter becoming half-full or full.

Bit 3 **MCF:** MMC counter freeze

When set, this bit freezes all the MMC counters to their current value. (None of the MMC counters are updated due to any transmitted or received frame until this bit is cleared to 0. If any MMC counter is read with the Reset on Read bit set, then that counter is also cleared in this mode.)

Bit 2 **ROR:** Reset on read

When this bit is set, the MMC counters is reset to zero after read (self-clearing after reset). The counters are cleared when the least significant byte lane (bits [7:0]) is read.

Bit 1 **CSR:** Counter stop rollover

When this bit is set, the counter does not roll over to zero after it reaches the maximum value.

Bit 0 **CR:** Counter reset

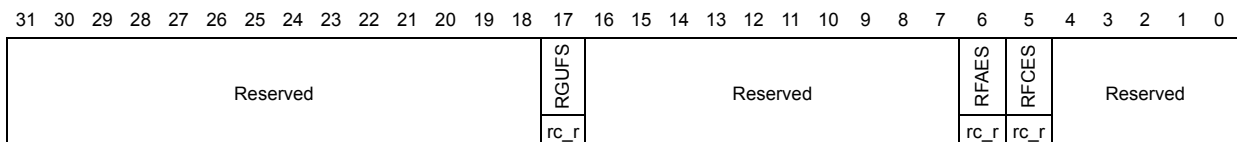
When it is set, all counters are reset. This bit is cleared automatically after 1 clock cycle.

Ethernet MMC receive interrupt register (ETH_MMCRIR)

Address offset: 0x0104

Reset value: 0x0000 0000

The Ethernet MMC receive interrupt register maintains the interrupts generated when receive statistic counters reach half their maximum values. (MSB of the counter is set.) It is a 32-bit wide register. An interrupt bit is cleared when the respective MMC counter that caused the interrupt is read. The least significant byte lane (bits [7:0]) of the respective counter must be read in order to clear the interrupt bit.



Bits 31:18 Reserved, must be kept at reset value.



Bit 17 **RGUFS**: Received Good Unicast Frames Status

This bit is set when the received, good unicast frames, counter reaches half the maximum value.

Bits 16:7 Reserved, must be kept at reset value.

Bit 6 **RFAES**: Received frames alignment error status

This bit is set when the received frames, with alignment error, counter reaches half the maximum value.

Bit 5 **RFCEs**: Received frames CRC error status

This bit is set when the received frames, with CRC error, counter reaches half the maximum value.

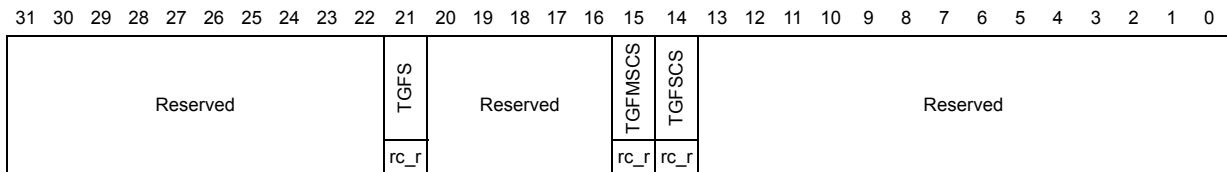
Bits 4:0 Reserved, must be kept at reset value.

Ethernet MMC transmit interrupt register (ETH_MMCTIR)

Address offset: 0x0108

Reset value: 0x0000 0000

The Ethernet MMC transmit Interrupt register maintains the interrupts generated when transmit statistic counters reach half their maximum values. (MSB of the counter is set.) It is a 32-bit wide register. An interrupt bit is cleared when the respective MMC counter that caused the interrupt is read. The least significant byte lane (bits [7:0]) of the respective counter must be read in order to clear the interrupt bit.



Bits 31:22 Reserved, must be kept at reset value.

Bit 21 **TGFS**: Transmitted good frames status

This bit is set when the transmitted, good frames, counter reaches half the maximum value.

Bits 20:16 Reserved, must be kept at reset value.

Bit 15 **TGMSCS**: Transmitted good frames more single collision status

This bit is set when the transmitted, good frames after more than a single collision, counter reaches half the maximum value.

Bit 14 **TGFSCS**: Transmitted good frames single collision status

This bit is set when the transmitted, good frames after a single collision, counter reaches half the maximum value.

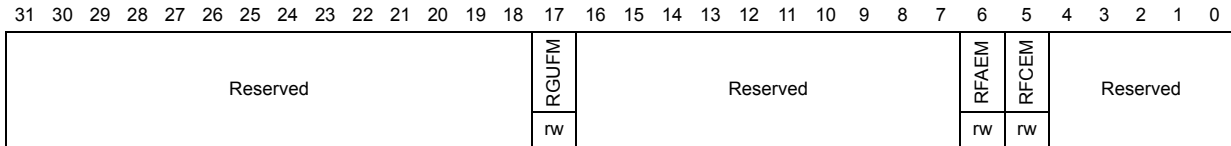
Bits 13:0 Reserved, must be kept at reset value.

Ethernet MMC receive interrupt mask register (ETH_MMCRIMR)

Address offset: 0x010C

Reset value: 0x0000 0000

The Ethernet MMC receive interrupt mask register maintains the masks for interrupts generated when the receive statistic counters reach half their maximum value. (MSB of the counter is set.) It is a 32-bit wide register.



Bits 31:18 Reserved, must be kept at reset value.

Bit 17 **RGUFM**: Received good unicast frames mask
 Setting this bit masks the interrupt when the received, good unicast frames, counter reaches half the maximum value.

Bits 16:7 Reserved, must be kept at reset value.

Bit 6 **RFAEM**: Received frames alignment error mask
 Setting this bit masks the interrupt when the received frames, with alignment error, counter reaches half the maximum value.

Bit 5 **RFCEM**: Received frame CRC error mask
 Setting this bit masks the interrupt when the received frames, with CRC error, counter reaches half the maximum value.

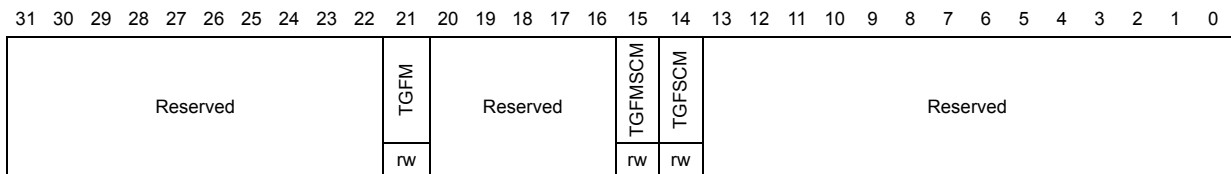
Bits 4:0 Reserved, must be kept at reset value.

Ethernet MMC transmit interrupt mask register (ETH_MMCTIMR)

Address offset: 0x0110

Reset value: 0x0000 0000

The Ethernet MMC transmit interrupt mask register maintains the masks for interrupts generated when the transmit statistic counters reach half their maximum value. (MSB of the counter is set). It is a 32-bit wide register.



Bits 31:22 Reserved, must be kept at reset value.

Bit 21 **TGFM**: Transmitted good frames mask
 Setting this bit masks the interrupt when the transmitted, good frames, counter reaches half the maximum value.

Bits 20:16 Reserved, must be kept at reset value.

Bit 15 **TGMSCM**: Transmitted good frames more single collision mask
 Setting this bit masks the interrupt when the transmitted good frames after more than a single collision counter reaches half the maximum value.

Bit 14 **TGFSCM**: Transmitted good frames single collision mask
 Setting this bit masks the interrupt when the transmitted good frames after a single collision counter reaches half the maximum value.

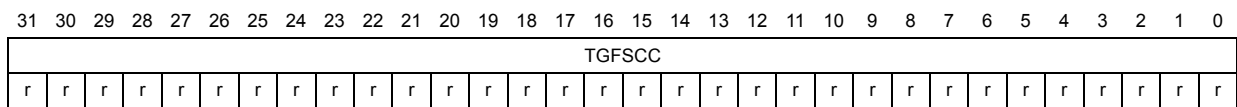
Bits 13:0 Reserved, must be kept at reset value.

Ethernet MMC transmitted good frames after a single collision counter register (ETH_MMCTGFSCCR)

Address offset: 0x014C

Reset value: 0x0000 0000

This register contains the number of successfully transmitted frames after a single collision in Half-duplex mode.



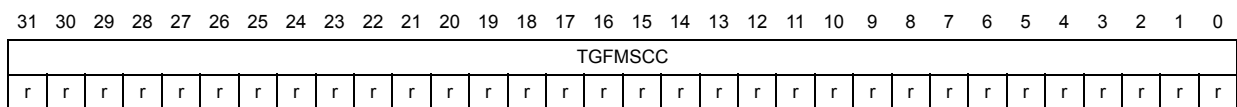
Bits 31:0 **TGFSCC**: Transmitted good frames single collision counter
 Transmitted good frames after a single collision counter.

Ethernet MMC transmitted good frames after more than a single collision counter register (ETH_MMCTGFMSCCR)

Address offset: 0x0150

Reset value: 0x0000 0000

This register contains the number of successfully transmitted frames after more than a single collision in Half-duplex mode.



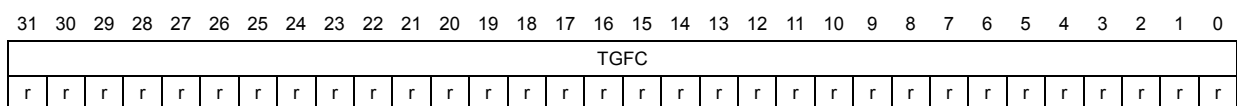
Bits 31:0 **TGFMSCC**: Transmitted good frames more single collision counter
 Transmitted good frames after more than a single collision counter

Ethernet MMC transmitted good frames counter register (ETH_MMCTGFCR)

Address offset: 0x0168

Reset value: 0x0000 0000

This register contains the number of good frames transmitted.



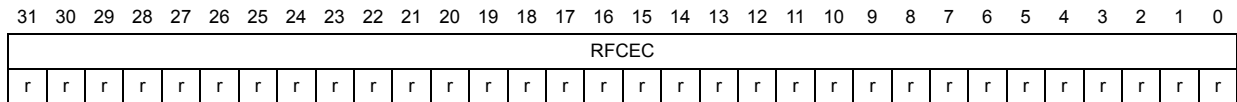
Bits 31:0 **TGFC**: Transmitted good frames counter

Ethernet MMC received frames with CRC error counter register (ETH_MMCRFCECR)

Address offset: 0x0194

Reset value: 0x0000 0000

This register contains the number of frames received with CRC error.



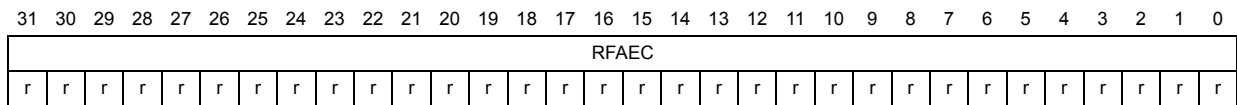
Bits 31:0 **RFCEC**: Received frames CRC error counter
Received frames with CRC error counter

Ethernet MMC received frames with alignment error counter register (ETH_MMCRFAECR)

Address offset: 0x0198

Reset value: 0x0000 0000

This register contains the number of frames received with alignment (dribble) error.



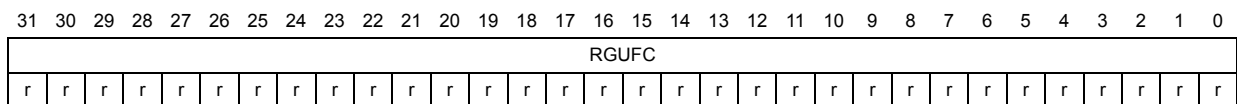
Bits 31:0 **RFAEC**: Received frames alignment error counter
Received frames with alignment error counter

MMC received good unicast frames counter register (ETH_MMCRGUFCR)

Address offset: 0x01C4

Reset value: 0x0000 0000

This register contains the number of good unicast frames received.



Bits 31:0 **RGUFC**: Received good unicast frames counter

28.8.3 IEEE 1588 time stamp registers

This section describes the registers required to support precision network clock synchronization functions under the IEEE 1588 standard.

Ethernet PTP time stamp control register (ETH_PTPTSCR)

Address offset: 0x0700

Reset value: 0x0000 00002000

This register controls the time stamp generation and update logic.

31	30	29	28	27	26	25	24	23	22	21	20	19	18	17	16	15	14	13	12	11	10	9	8	7	6	5	4	3	2	1	0			
Reserved													TSPFFMAE	TSCNT	TSSMRME	TSSSEME	TSSIPV4FE	TSSIPV6FE	TSSPTPOEFE	TSPTPPSV2E	TSSSR	TSSARFE	Reserved						TTSARU	TSITE	TSSTU	TSSTI	TSFCU	TSE
													rw	rw	rw	rw	rw	rw	rw	rw	rw	rw							rw	rw	rw	rw	rw	rw

Bits 31:19 Reserved, must be kept at reset value.

Bit 18 **TSPFFMAE**: Time stamp PTP frame filtering MAC address enable

When set, this bit uses the MAC address (except for MAC address 0) to filter the PTP frames when PTP is sent directly over Ethernet.

Bits 17:16 **TSCNT**: Time stamp clock node type

The following are the available types of clock node:

- 00: Ordinary clock
- 01: Boundary clock
- 10: End-to-end transparent clock
- 11: Peer-to-peer transparent clock

Bit 15 **TSSMRME**: Time stamp snapshot for message relevant to master enable

When this bit is set, the snapshot is taken for messages relevant to the master node only. When this bit is cleared the snapshot is taken for messages relevant to the slave node only. This is valid only for the ordinary clock and boundary clock nodes.

Bit 14 **TSSSEME**: Time stamp snapshot for event message enable

When this bit is set, the time stamp snapshot is taken for event messages only (SYNC, Delay_Req, Pdelay_Req or Pdelay_Resp). When this bit is cleared the snapshot is taken for all other messages except for Announce, Management and Signaling.

Bit 13 **TSSIPV4FE**: Time stamp snapshot for IPv4 frames enable

When this bit is set, the time stamp snapshot is taken for IPv4 frames.

Bit 12 **TSSIPV6FE**: Time stamp snapshot for IPv6 frames enable

When this bit is set, the time stamp snapshot is taken for IPv6 frames.

Bit 11 **TSSPTPOEFE**: Time stamp snapshot for PTP over ethernet frames enable

When this bit is set, the time stamp snapshot is taken for frames which have PTP messages in Ethernet frames (PTP over Ethernet) also. By default snapshots are taken for UDP-IPEthernet PTP packets.

- Bit 10 **TSPTPSV2E**: Time stamp PTP packet snooping for version2 format enable
 When this bit is set, the PTP packets are snooped using the version 2 format. When the bit is cleared, the PTP packets are snooped using the version 1 format.
Note: IEEE 1588 Version 1 and Version 2 formats as indicated in IEEE standard 1588-2008 (Revision of IEEE STD. 1588-2002).
- Bit 9 **TSSSR**: Time stamp subsecond rollover: digital or binary rollover control
 When this bit is set, the Time stamp low register rolls over when the subsecond counter reaches the value 0x3B9A C9FF (999 999 999 in decimal), and increments the Time Stamp (high) seconds.
 When this bit is cleared, the rollover value of the subsecond register reaches 0x7FFF FFFF. The subsecond increment has to be programmed correctly depending on the PTP's reference clock frequency and this bit value.
- Bit 8 **TSSARFE**: Time stamp snapshot for all received frames enable
 When this bit is set, the time stamp snapshot is enabled for all frames received by the core.
- Bits 7:6 Reserved, must be kept at reset value.
- Bit 5 **TSARU**: Time stamp addend register update
 When this bit is set, the Time stamp addend register's contents are updated to the PTP block for fine correction. This bit is cleared when the update is complete. This register bit must be read as zero before you can set it.
- Bit 4 **TSITE**: Time stamp interrupt trigger enable
 When this bit is set, a time stamp interrupt is generated when the system time becomes greater than the value written in the Target time register. When the Time stamp trigger interrupt is generated, this bit is cleared.
- Bit 3 **TSSTU**: Time stamp system time update
 When this bit is set, the system time is updated (added to or subtracted from) with the value specified in the Time stamp high update and Time stamp low update registers. Both the TSSTU and TSSTI bits must be read as zero before you can set this bit. Once the update is completed in hardware, this bit is cleared.
- Bit 2 **TSSTI**: Time stamp system time initialize
 When this bit is set, the system time is initialized (overwritten) with the value specified in the Time stamp high update and Time stamp low update registers. This bit must be read as zero before you can set it. When initialization is complete, this bit is cleared.
- Bit 1 **TSFCU**: Time stamp fine or coarse update
 When set, this bit indicates that the system time stamp is to be updated using the Fine Update method. When cleared, it indicates the system time stamp is to be updated using the Coarse method.
- Bit 0 **TSE**: Time stamp enable
 When this bit is set, time stamping is enabled for transmit and receive frames. When this bit is cleared, the time stamp function is suspended and time stamps are not added for transmit and receive frames. Because the maintained system time is suspended, you must always initialize the time stamp feature (system time) after setting this bit high.

The table below indicates the messages for which a snapshot is taken depending on the clock, enable master and enable snapshot for event message register settings.

Table 147. Time stamp snapshot dependency on registers bits

TSCNT (bits 17:16)	TSSMRME (bit 15) ⁽¹⁾	TSSEME (bit 14)	Messages for which snapshots are taken
00 or 01	X ⁽²⁾	0	SYNC, Follow_Up, Delay_Req, Delay_Resp
00 or 01	1	1	Delay_Req
00 or 01	0	1	SYNC
10	N/A	0	SYNC, Follow_Up, Delay_Req, Delay_Resp
10	N/A	1	SYNC, Follow_Up
11	N/A	0	SYNC, Follow_Up, Delay_Req, Delay_Resp, Pdelay_Req, Pdelay_Resp
11	N/A	1	SYNC, Pdelay_Req, Pdelay_Resp

1. N/A = not applicable.

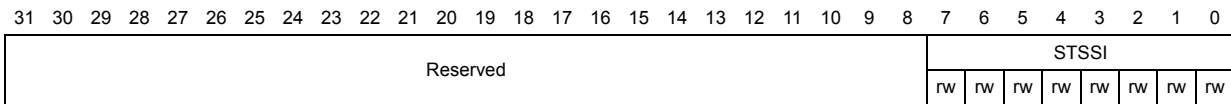
2. X = don't care.

Ethernet PTP subsecond increment register (ETH_PTPSSIR)

Address offset: 0x0704

Reset value: 0x0000 0000

This register contains the 8-bit value by which the subsecond register is incremented. In Coarse update mode (TSFCU bit in ETH_PTPTSCR), the value in this register is added to the system time every clock cycle of HCLK. In Fine update mode, the value in this register is added to the system time whenever the accumulator gets an overflow.



Bits 31:8 Reserved, must be kept at reset value.

Bits 7:0 **STSSI**: System time subsecond increment

The value programmed in this register is added to the contents of the subsecond value of the system time in every update.

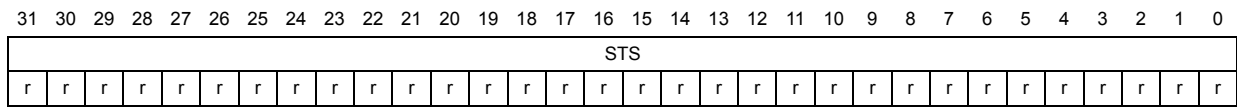
For example, to achieve 20 ns accuracy, the value is: $20 / 0.467 = \sim 43$ (or 0x2A).

Ethernet PTP time stamp high register (ETH_PTPTSHR)

Address offset: 0x0708

Reset value: 0x0000 0000

This register contains the most significant (higher) 32 time bits. This read-only register contains the seconds system time value. The Time stamp high register, along with Time stamp low register, indicates the current value of the system time maintained by the MAC. Though it is updated on a continuous basis.



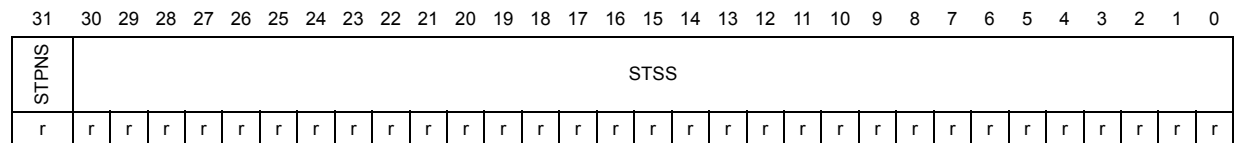
Bits 31:0 **STS**: System time second
 The value in this field indicates the current value in seconds of the System Time maintained by the core.

Ethernet PTP time stamp low register (ETH_PTPTSLR)

Address offset: 0x070C

Reset value: 0x0000 0000

This register contains the least significant (lower) 32 time bits. This read-only register contains the subsecond system time value.



Bit 31 **STPNS**: System time positive or negative sign
 This bit indicates a positive or negative time value. When set, the bit indicates that time representation is negative. When cleared, it indicates that time representation is positive. Because the system time should always be positive, this bit is normally zero.

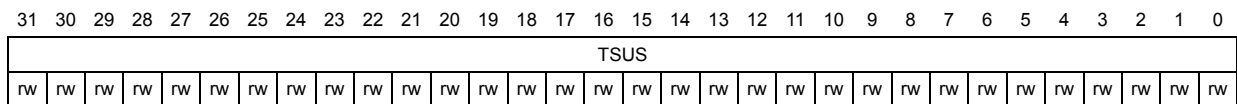
Bits 30:0 **STSS**: System time subseconds
 The value in this field has the subsecond time representation, with 0.46 ns accuracy.

Ethernet PTP time stamp high update register (ETH_PTPTSHUR)

Address offset: 0x0710

Reset value: 0x0000 0000

This register contains the most significant (higher) 32 bits of the time to be written to, added to, or subtracted from the System Time value. The Time stamp high update register, along with the Time stamp update low register, initializes or updates the system time maintained by the MAC. You have to write both of these registers before setting the TSSTI or TSSTU bits in the Time stamp control register.



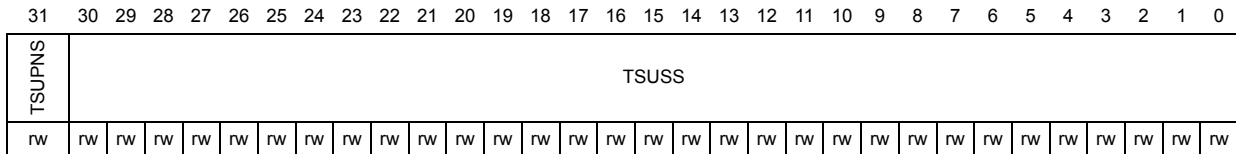
Bits 31:0 **TSUS**: Time stamp update second
 The value in this field indicates the time, in seconds, to be initialized or added to the system time.

Ethernet PTP time stamp low update register (ETH_PTPTSLUR)

Address offset: 0x0714

Reset value: 0x0000 0000

This register contains the least significant (lower) 32 bits of the time to be written to, added to, or subtracted from the System Time value.



Bit 31 **TSUPNS**: Time stamp update positive or negative sign

This bit indicates positive or negative time value. When set, the bit indicates that time representation is negative. When cleared, it indicates that time representation is positive. When TSSTI is set (system time initialization) this bit should be zero. If this bit is set when TSSTU is set, the value in the Time stamp update registers is subtracted from the system time. Otherwise it is added to the system time.

Bits 30:0 **TSUSS**: Time stamp update subseconds

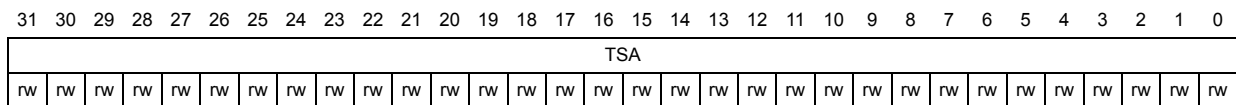
The value in this field indicates the subsecond time to be initialized or added to the system time. This value has an accuracy of 0.46 ns (in other words, a value of 0x0000_0001 is 0.46 ns).

Ethernet PTP time stamp addend register (ETH_PTPTSAR)

Address offset: 0x0718

Reset value: 0x0000 0000

This register is used by the software to readjust the clock frequency linearly to match the master clock frequency. This register value is used only when the system time is configured for Fine update mode (TSFCU bit in ETH_PTPTSCR). This register content is added to a 32-bit accumulator in every clock cycle and the system time is updated whenever the accumulator overflows.



Bits 31:0 **TSA**: Time stamp addend

This register indicates the 32-bit time value to be added to the Accumulator register to achieve time synchronization.

Ethernet PTP target time high register (ETH_PTPTTHR)

Address offset: 0x071C

Reset value: 0x0000 0000

This register contains the higher 32 bits of time to be compared with the system time for interrupt event generation. The Target time high register, along with Target time low register, is used to schedule an interrupt event (TSARU bit in ETH_PTPTSCR) when the system time exceeds the value programmed in these registers.



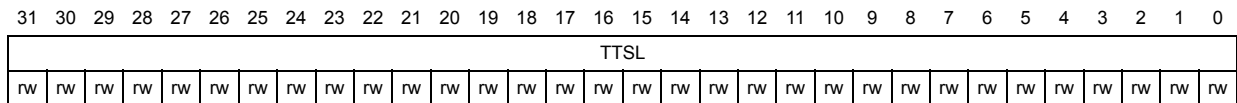
Bits 31:0 **TTSH**: Target time stamp high
 This register stores the time in seconds. When the time stamp value matches or exceeds both Target time stamp registers, the MAC, if enabled, generates an interrupt.

Ethernet PTP target time low register (ETH_PTPTTLR)

Address offset: 0x0720

Reset value: 0x0000 0000

This register contains the lower 32 bits of time to be compared with the system time for interrupt event generation.



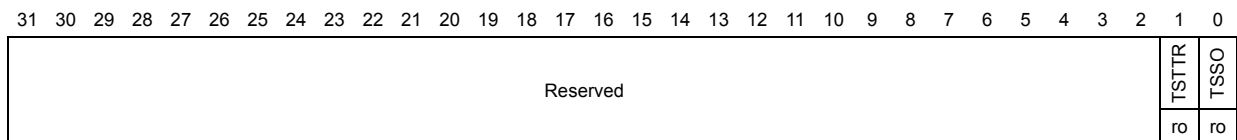
Bits 31:0 **TTSL**: Target time stamp low
 This register stores the time in (signed) nanoseconds. When the value of the time stamp matches or exceeds both Target time stamp registers, the MAC, if enabled, generates an interrupt.

Ethernet PTP time stamp status register (ETH_PTPTSSR)

Address offset: 0x0728

Reset value: 0x0000 0000

This register contains the time stamp status register.



Bits 31:2 Reserved, must be kept at reset value.

Bit 1 **TSTTR**: Time stamp target time reached

When set, this bit indicates that the value of the system time is greater than or equal to the value specified in the Target time high and low registers. This bit is cleared when the ETH_PTPTSSR register is read.

Bit 0 **TSSO**: Time stamp second overflow

When set, this bit indicates that the second value of the time stamp has overflowed beyond 0xFFFF FFFF.

Ethernet PTP PPS control register (ETH_PTPPSCR)

Address offset: 0x072C

Reset value: 0x0000 0000

This register controls the frequency of the PPS output.

31	30	29	28	27	26	25	24	23	22	21	20	19	18	17	16	15	14	13	12	11	10	9	8	7	6	5	4	3	2	1	0
Reserved																PPSFREQ															
																ro	ro	ro	ro												

Bits 31:4 Reserved, must be kept at reset value.

Bits 3:0 **PPSFREQ**: PPS frequency selection

The PPS output frequency is set to $2^{PPSFREQ}$ Hz.

0000: 1 Hz with a pulse width of 125 ms for binary rollover and, of 100 ms for digital rollover

0001: 2 Hz with 50% duty cycle for binary rollover (digital rollover not recommended)

0010: 4 Hz with 50% duty cycle for binary rollover (digital rollover not recommended)

0011: 8 Hz with 50% duty cycle for binary rollover (digital rollover not recommended)

0100: 16 Hz with 50% duty cycle for binary rollover (digital rollover not recommended)

...

1111: 32768 Hz with 50% duty cycle for binary rollover (digital rollover not recommended)

Note: If digital rollover is used (TSSSR=1, bit 9 in ETH_PTPTSSR), it is recommended not to use the PPS output with a frequency other than 1 Hz. Otherwise, with digital rollover, the PPS output has irregular waveforms at higher frequencies (though its average frequency is always correct during any one-second window).

28.8.4 DMA register description

This section defines the bits for each DMA register. Non-32 bit accesses are allowed as long as the address is word-aligned.

Ethernet DMA bus mode register (ETH_DMABMR)

Address offset: 0x1000

Reset value: 0x0002 0101

The bus mode register establishes the bus operating modes for the DMA.

31	30	29	28	27	26	25	24	23	22	21	20	19	18	17	16	15	14	13	12	11	10	9	8	7	6	5	4	3	2	1	0
Reserved				MB	AAB	FPM	USP	RDP						PE	PM		PBL						EDFE	DSL				DA	RS		
				rw	rw	rw	rw	rw	rw	rw	rw	rw	rw	rw	rw	rw	rw	rw	rw	rw	rw	rw	rw	rw	rw	rw	rw	rw	rw	rw	rs

Bits 31:27 Reserved, must be kept at reset value.

Bit 26 **MB**: Mixed burst

When this bit is set high and the FB bit is low, the AHB master interface starts all bursts of a length greater than 16 with INCR (undefined burst). When this bit is cleared, it reverts to fixed burst transfers (INCRx and SINGLE) for burst lengths of 16 and below.

Bit 25 **AAB**: Address-aligned beats

When this bit is set high and the FB bit equals 1, the AHB interface generates all bursts aligned to the start address LS bits. If the FB bit equals 0, the first burst (accessing the data buffer's start address) is not aligned, but subsequent bursts are aligned to the address.

Bit 24 **FPM**: 4xPBL mode

When set high, this bit multiplies the PBL value programmed (bits [22:17] and bits [13:8]) four times. Thus the DMA transfers data in a maximum of 4, 8, 16, 32, 64 and 128 beats depending on the PBL value.

Bit 23 **USP**: Use separate PBL

When set high, it configures the RxDMA to use the value configured in bits [22:17] as PBL while the PBL value in bits [13:8] is applicable to TxDMA operations only. When this bit is cleared, the PBL value in bits [13:8] is applicable for both DMA engines.

Bits 22:17 **RDP**: Rx DMA PBL

These bits indicate the maximum number of beats to be transferred in one RxDMA transaction. This is the maximum value that is used in a single block read/write operation. The RxDMA always attempts to burst as specified in RDP each time it starts a burst transfer on the host bus. RDP can be programmed with permissible values of 1, 2, 4, 8, 16, and 32. Any other value results in undefined behavior. These bits are valid and applicable only when USP is set high.

Bit 16 **FB**: Fixed burst

This bit controls whether the AHB Master interface performs fixed burst transfers or not. When set, the AHB uses only SINGLE, INCR4, INCR8 or INCR16 during start of normal burst transfers. When reset, the AHB uses SINGLE and INCR burst transfer operations.

Bits 15:14 **PM**: Rx Tx priority ratio

RxDMA requests are given priority over TxDMA requests in the following ratio:

00: 1:1
01: 2:1
10: 3:1
11: 4:1

This is valid only when the DA bit is cleared.

Bits 13:8 **PBL**: Programmable burst length

These bits indicate the maximum number of beats to be transferred in one DMA transaction. This is the maximum value that is used in a single block read/write operation. The DMA always attempts to burst as specified in PBL each time it starts a burst transfer on the host bus. PBL can be programmed with permissible values of 1, 2, 4, 8, 16, and 32. Any other value results in undefined behavior. When USP is set, this PBL value is applicable for TxDMA transactions only.

The PBL values have the following limitations:

- The maximum number of beats (PBL) possible is limited by the size of the Tx FIFO and Rx FIFO.
- The FIFO has a constraint that the maximum beat supported is half the depth of the FIFO.
- If the PBL is common for both transmit and receive DMA, the minimum Rx FIFO and Tx FIFO depths must be considered.
- Do not program out-of-range PBL values, because the system may not behave properly.

Bit 7 **EDFE**: Enhanced descriptor format enable

When this bit is set, the enhanced descriptor format is enabled and the descriptor size is increased to 32 bytes (8 words). This is required when time stamping is activated (TSE=1, ETH_PTPTSCR bit 0) or if IPv4 checksum offload is activated (IPCO=1, ETH_MACCCR bit 10).

Bits 6:2 **DSL**: Descriptor skip length

This bit specifies the number of words to skip between two unchained descriptors. The address skipping starts from the end of current descriptor to the start of next descriptor. When DSL value equals zero, the descriptor table is taken as contiguous by the DMA, in Ring mode.

Bit 1 **DA**: DMA Arbitration

0: Round-robin with Rx:Tx priority given in bits [15:14]
 1: Rx has priority over Tx

Bit 0 **SR**: Software reset

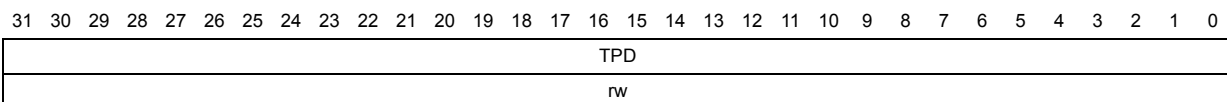
When this bit is set, the MAC DMA controller resets all MAC Subsystem internal registers and logic. It is cleared automatically after the reset operation has completed in all of the core clock domains. Read a 0 value in this bit before re-programming any register of the core.

Ethernet DMA transmit poll demand register (ETH_DMATPDR)

Address offset: 0x1004

Reset value: 0x0000 0000

This register is used by the application to instruct the DMA to poll the transmit descriptor list. The transmit poll demand register enables the Transmit DMA to check whether or not the current descriptor is owned by DMA. The Transmit Poll Demand command is given to wake up the TxDMA if it is in Suspend mode. The TxDMA can go into Suspend mode due to an underflow error in a transmitted frame or due to the unavailability of descriptors owned by transmit DMA. You can issue this command anytime and the TxDMA resets it once it starts re-fetching the current descriptor from host memory.



Bits 31:0 TPD: Transmit poll demand

When these bits are written with any value, the DMA reads the current descriptor pointed to by the ETH_DMACHTDR register. If that descriptor is not available (owned by Host), transmission returns to the Suspend state and ETH_DMASR register bit 2 is asserted. If the descriptor is available, transmission resumes.

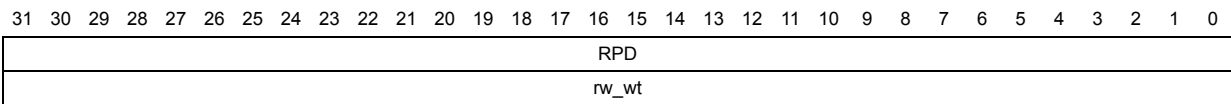
ETHERNET DMA receive poll demand register (ETH_DMARPDR)

Address offset: 0x1008

Reset value: 0x0000 0000

This register is used by the application to instruct the DMA to poll the receive descriptor list. The Receive poll demand register enables the receive DMA to check for new descriptors. This command is given to wake up the RxDMA from Suspend state. The RxDMA can go into Suspend state only due to the unavailability of descriptors owned by it.





Bits 31:0 **RPD**: Receive poll demand

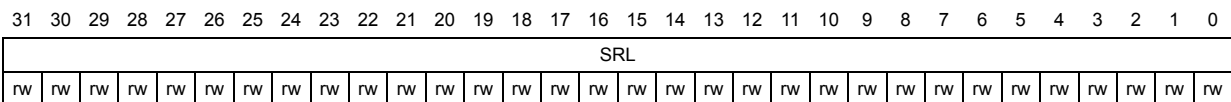
When these bits are written with any value, the DMA reads the current descriptor pointed to by the ETH_DMACHRDR register. If that descriptor is not available (owned by Host), reception returns to the Suspended state and ETH_DMASR register bit 7 is not asserted. If the descriptor is available, the Receive DMA returns to active state.

Ethernet DMA receive descriptor list address register (ETH_DMARDLAR)

Address offset: 0x100C

Reset value: 0x0000 0000

The Receive descriptor list address register points to the start of the receive descriptor list. The descriptor lists reside in the STM32F20x and STM32F21x's physical memory space and must be word-aligned. The DMA internally converts it to bus-width aligned address by making the corresponding LS bits low. Writing to the ETH_DMARDLAR register is permitted only when reception is stopped. When stopped, the ETH_DMARDLAR register must be written to before the receive Start command is given.



Bits 31:0 **SRL**: Start of receive list

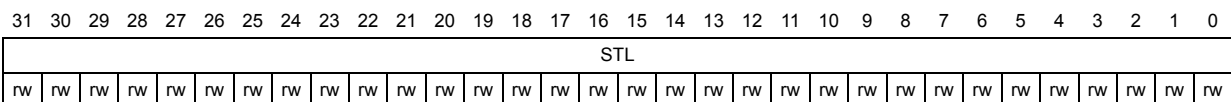
This field contains the base address of the first descriptor in the receive descriptor list. The LSB bits [1/2/3:0] for 32/64/128-bit bus width) are internally ignored and taken as all-zero by the DMA. Hence these LSB bits are read only.

Ethernet DMA transmit descriptor list address register (ETH_DMATDLAR)

Address offset: 0x1010

Reset value: 0x0000 0000

The Transmit descriptor list address register points to the start of the transmit descriptor list. The descriptor lists reside in the STM32F20x and STM32F21x's physical memory space and must be word-aligned. The DMA internally converts it to bus-width-aligned address by taking the corresponding LSB to low. Writing to the ETH_DMATDLAR register is permitted only when transmission has stopped. Once transmission has stopped, the ETH_DMATDLAR register can be written before the transmission Start command is given.



Bits 31:0 **STL**: Start of transmit list

This field contains the base address of the first descriptor in the transmit descriptor list. The LSB bits [1/2/3:0] for 32/64/128-bit bus width) are internally ignored and taken as all-zero by the DMA. Hence these LSB bits are read-only.

Ethernet DMA status register (ETH_DMASR)

Address offset: 0x1014

Reset value: 0x0000 0000

The Status register contains all the status bits that the DMA reports to the application. The ETH_DMASR register is usually read by the software driver during an interrupt service routine or polling. Most of the fields in this register cause the host to be interrupted. The ETH_DMASR register bits are not cleared when read. Writing 1 to (unreserved) bits in ETH_DMASR register[16:0] clears them and writing 0 has no effect. Each field (bits [16:0]) can be masked by masking the appropriate bit in the ETH_DMAIER register.

31	30	29	28	27	26	25	24	23	22	21	20	19	18	17	16	15	14	13	12	11	10	9	8	7	6	5	4	3	2	1	0						
Reserved				TSTS	PMTS	MMCS	Reserved			EBS			TPS			RPS			NIS	AIS	ERS	FBES	Reserved				ETS	RWTS	RPSS	RBUS	RS	TUS	ROS	TJTS	TBUS	TPSS	TS
				r	r	r	r			r			r			r	r	r	r	rc-w1	rc-w1	rc-w1	rc-w1					rc-w1	rc-w1	rc-w1	rc-w1	rc-w1	rc-w1	rc-w1	rc-w1	rc-w1	

Bits 31:30 Reserved, must be kept at reset value.

Bit 29 **TSTS**: Time stamp trigger status

This bit indicates an interrupt event in the MAC core's Time stamp generator block. The software must read the MAC core's status register, clearing its source (bit 9), to reset this bit to 0. When this bit is high an interrupt is generated if enabled.

Bit 28 **PMTS**: PMT status

This bit indicates an event in the MAC core's PMT. The software must read the corresponding registers in the MAC core to get the exact cause of interrupt and clear its source to reset this bit to 0. The interrupt is generated when this bit is high if enabled.

Bit 27 **MMCS**: MMC status

This bit reflects an event in the MMC of the MAC core. The software must read the corresponding registers in the MAC core to get the exact cause of interrupt and clear the source of interrupt to make this bit as 0. The interrupt is generated when this bit is high if enabled.

Bit 26 Reserved, must be kept at reset value.

Bits 25:23 **EBS**: Error bits status

These bits indicate the type of error that caused a bus error (error response on the AHB interface). Valid only with the fatal bus error bit (ETH_DMASR register [13]) set. This field does not generate an interrupt.

Bit 23 1 Error during data transfer by TxDMA

0 Error during data transfer by RxDMA

Bit 24 1 Error during read transfer

0 Error during write transfer

Bit 25 1 Error during descriptor access

0 Error during data buffer access

Bits 22:20 TPS: Transmit process state

These bits indicate the Transmit DMA FSM state. This field does not generate an interrupt.

000: Stopped; Reset or Stop Transmit Command issued

001: Running; Fetching transmit transfer descriptor

010: Running; Waiting for status

011: Running; Reading Data from host memory buffer and queuing it to transmit buffer (Tx FIFO)

100, 101: Reserved for future use

110: Suspended; Transmit descriptor unavailable or transmit buffer underflow

111: Running; Closing transmit descriptor

Bits 19:17 RPS: Receive process state

These bits indicate the Receive DMA FSM state. This field does not generate an interrupt.

000: Stopped: Reset or Stop Receive Command issued

001: Running: Fetching receive transfer descriptor

010: Reserved for future use

011: Running: Waiting for receive packet

100: Suspended: Receive descriptor unavailable

101: Running: Closing receive descriptor

110: Reserved for future use

111: Running: Transferring the receive packet data from receive buffer to host memory

Bit 16 NIS: Normal interrupt summary

The normal interrupt summary bit value is the logical OR of the following when the corresponding interrupt bits are enabled in the ETH_DMAIER register:

- ETH_DMASR [0]: Transmit interrupt
- ETH_DMASR [2]: Transmit buffer unavailable
- ETH_DMASR [6]: Receive interrupt
- ETH_DMASR [14]: Early receive interrupt

Only unmasked bits affect the normal interrupt summary bit.

This is a sticky bit and it must be cleared (by writing a 1 to this bit) each time a corresponding bit that causes NIS to be set is cleared.

Bit 15 AIS: Abnormal interrupt summary

The abnormal interrupt summary bit value is the logical OR of the following when the corresponding interrupt bits are enabled in the ETH_DMAIER register:

- ETH_DMASR [1]: Transmit process stopped
- ETH_DMASR [3]: Transmit jabber timeout
- ETH_DMASR [4]: Receive FIFO overflow
- ETH_DMASR [5]: Transmit underflow
- ETH_DMASR [7]: Receive buffer unavailable
- ETH_DMASR [8]: Receive process stopped
- ETH_DMASR [9]: Receive watchdog timeout
- ETH_DMASR [10]: Early transmit interrupt
- ETH_DMASR [13]: Fatal bus error

Only unmasked bits affect the abnormal interrupt summary bit.

This is a sticky bit and it must be cleared each time a corresponding bit that causes AIS to be set is cleared.

Bit 14 ERS: Early receive status

This bit indicates that the DMA had filled the first data buffer of the packet. Receive Interrupt ETH_DMASR [6] automatically clears this bit.

Bit 13 **FBES**: Fatal bus error status

This bit indicates that a bus error occurred, as detailed in [25:23]. When this bit is set, the corresponding DMA engine disables all its bus accesses.

Bits 12:11 Reserved, must be kept at reset value.

Bit 10 **ETS**: Early transmit status

This bit indicates that the frame to be transmitted was fully transferred to the Transmit FIFO.

Bit 9 **RWTS**: Receive watchdog timeout status

This bit is asserted when a frame with a length greater than 2 048 bytes is received.

Bit 8 **RPSS**: Receive process stopped status

This bit is asserted when the receive process enters the Stopped state.

Bit 7 **RBUS**: Receive buffer unavailable status

This bit indicates that the next descriptor in the receive list is owned by the host and cannot be acquired by the DMA. Receive process is suspended. To resume processing receive descriptors, the host should change the ownership of the descriptor and issue a Receive Poll Demand command. If no Receive Poll Demand is issued, receive process resumes when the next recognized incoming frame is received. ETH_DMA SR [7] is set only when the previous receive descriptor was owned by the DMA.

Bit 6 **RS**: Receive status

This bit indicates the completion of the frame reception. Specific frame status information has been posted in the descriptor. Reception remains in the Running state.

Bit 5 **TUS**: Transmit underflow status

This bit indicates that the transmit buffer had an underflow during frame transmission. Transmission is suspended and an underflow error TDES0[1] is set.

Bit 4 **ROS**: Receive overflow status

This bit indicates that the receive buffer had an overflow during frame reception. If the partial frame is transferred to the application, the overflow status is set in RDES0[11].

Bit 3 **TJTS**: Transmit jabber timeout status

This bit indicates that the transmit jabber timer expired, meaning that the transmitter had been excessively active. The transmission process is aborted and placed in the Stopped state. This causes the transmit jabber timeout TDES0[14] flag to be asserted.

Bit 2 **TBUS**: Transmit buffer unavailable status

This bit indicates that the next descriptor in the transmit list is owned by the host and cannot be acquired by the DMA. Transmission is suspended. Bits [22:20] explain the transmit process state transitions. To resume processing transmit descriptors, the host should change the ownership of the bit of the descriptor and then issue a Transmit Poll Demand command.

Bit 1 **TPSS**: Transmit process stopped status

This bit is set when the transmission is stopped.

Bit 0 **TS**: Transmit status

This bit indicates that frame transmission is finished and TDES1[31] is set in the first descriptor.

Ethernet DMA operation mode register (ETH_DMAOMR)

Address offset: 0x1018

Reset value: 0x0000 0000

The operation mode register establishes the Transmit and Receive operating modes and commands. The ETH_DMAOMR register should be the last CSR to be written as part of DMA initialization.

31	30	29	28	27	26	25	24	23	22	21	20	19	18	17	16	15	14	13	12	11	10	9	8	7	6	5	4	3	2	1	0
Reserved				DTCEFD	RSF	DFRF	Reserved			TSF	FTF	Reserved			TTC			ST	Reserved					FEF	FUGF	Reserved	RTC		OSF	SR	Reserved
				rw	rw	rw				rw	rs				rw	rw	rw	rw						rw	rw	Reserved	rw	rw	rw	rw	Reserved

Bits 31:27 Reserved, must be kept at reset value.

Bit 26 **DTCEFD**: Dropping of TCP/IP checksum error frames disable

When this bit is set, the core does not drop frames that only have errors detected by the receive checksum offload engine. Such frames do not have any errors (including FCS error) in the Ethernet frame received by the MAC but have errors in the encapsulated payload only. When this bit is cleared, all error frames are dropped if the FEF bit is reset.

Bit 25 **RSF**: Receive store and forward

When this bit is set, a frame is read from the Rx FIFO after the complete frame has been written to it, ignoring RTC bits. When this bit is cleared, the Rx FIFO operates in Cut-through mode, subject to the threshold specified by the RTC bits.

Bit 24 **DFRF**: Disable flushing of received frames

When this bit is set, the RxDMA does not flush any frames due to the unavailability of receive descriptors/buffers as it does normally when this bit is cleared (see [Receive process suspended](#)).

Bits 23:22 Reserved, must be kept at reset value.

Bit 21 **TSF**: Transmit store and forward

When this bit is set, transmission starts when a full frame resides in the Transmit FIFO. When this bit is set, the TTC values specified by the ETH_DMAOMR register bits [16:14] are ignored.

When this bit is cleared, the TTC values specified by the ETH_DMAOMR register bits [16:14] are taken into account.

This bit should be changed only when transmission is stopped.

Bit 20 **FTF**: Flush transmit FIFO

When this bit is set, the transmit FIFO controller logic is reset to its default values and thus all data in the Tx FIFO are lost/flushed. This bit is cleared internally when the flushing operation is complete. The Operation mode register should not be written to until this bit is cleared.

Bits 19:17 Reserved, must be kept at reset value.

Bits 16:14 TTC: Transmit threshold control

These three bits control the threshold level of the Transmit FIFO. Transmission starts when the frame size within the Transmit FIFO is larger than the threshold. In addition, full frames with a length less than the threshold are also transmitted. These bits are used only when the TSF bit (Bit 21) is cleared.

000: 64

001: 128

010: 192

011: 256

100: 40

101: 32

110: 24

111: 16

Bit 13 ST: Start/stop transmission

When this bit is set, transmission is placed in the Running state, and the DMA checks the transmit list at the current position for a frame to be transmitted. Descriptor acquisition is attempted either from the current position in the list, which is the transmit list base address set by the ETH_DMATDLAR register, or from the position retained when transmission was stopped previously. If the current descriptor is not owned by the DMA, transmission enters the Suspended state and the transmit buffer unavailable bit (ETH_DMASR [2]) is set. The Start Transmission command is effective only when transmission is stopped. If the command is issued before setting the DMA ETH_DMATDLAR register, the DMA behavior is unpredictable.

When this bit is cleared, the transmission process is placed in the Stopped state after completing the transmission of the current frame. The next descriptor position in the transmit list is saved, and becomes the current position when transmission is restarted. The Stop Transmission command is effective only when the transmission of the current frame is complete or when the transmission is in the Suspended state.

Bits 12:8 Reserved, must be kept at reset value.

Bit 7 FEF: Forward error frames

When this bit is set, all frames except runt error frames are forwarded to the DMA.

When this bit is cleared, the Rx FIFO drops frames with error status (CRC error, collision error, giant frame, watchdog timeout, overflow). However, if the frame's start byte (write) pointer is already transferred to the read controller side (in Threshold mode), then the frames are not dropped. The Rx FIFO drops the error frames if that frame's start byte is not transferred (output) on the ARI bus.

Bit 6 FUGF: Forward undersized good frames

When this bit is set, the Rx FIFO forwards undersized frames (frames with no error and length less than 64 bytes) including pad-bytes and CRC).

When this bit is cleared, the Rx FIFO drops all frames of less than 64 bytes, unless such a frame has already been transferred due to lower value of receive threshold (e.g., RTC = 01).

Bit 5 Reserved, must be kept at reset value.

Bits 4:3 **RTC**: Receive threshold control

These two bits control the threshold level of the Receive FIFO. Transfer (request) to DMA starts when the frame size within the Receive FIFO is larger than the threshold. In addition, full frames with a length less than the threshold are transferred automatically.

Note: Note that value of 11 is not applicable if the configured Receive FIFO size is 128 bytes.

Note: These bits are valid only when the RSF bit is zero, and are ignored when the RSF bit is set to 1.

- 00: 64
- 01: 32
- 10: 96
- 11: 128

Bit 2 **OSF**: Operate on second frame

When this bit is set, this bit instructs the DMA to process a second frame of Transmit data even before status for first frame is obtained.

Bit 1 **SR**: Start/stop receive

When this bit is set, the receive process is placed in the Running state. The DMA attempts to acquire the descriptor from the receive list and processes incoming frames. Descriptor acquisition is attempted from the current position in the list, which is the address set by the DMA ETH_DMARDLAR register or the position retained when the receive process was previously stopped. If no descriptor is owned by the DMA, reception is suspended and the receive buffer unavailable bit (ETH_DMASR [7]) is set. The Start Receive command is effective only when reception has stopped. If the command was issued before setting the DMA ETH_DMARDLAR register, the DMA behavior is unpredictable.

When this bit is cleared, RxDMA operation is stopped after the transfer of the current frame. The next descriptor position in the receive list is saved and becomes the current position when the receive process is restarted. The Stop Receive command is effective only when the Receive process is in either the Running (waiting for receive packet) or the Suspended state.

Bit 0 Reserved, must be kept at reset value.

Ethernet DMA interrupt enable register (ETH_DMAIER)

Address offset: 0x101C

Reset value: 0x0000 0000

The Interrupt enable register enables the interrupts reported by ETH_DMASR. Setting a bit to 1 enables a corresponding interrupt. After a hardware or software reset, all interrupts are disabled.

31	30	29	28	27	26	25	24	23	22	21	20	19	18	17	16	15	14	13	12	11	10	9	8	7	6	5	4	3	2	1	0
Reserved														NISE	AISE	ERIE	FBEIE	Reserved	ETIE	RWTIE	RPSIE	RBUIE	RIE	TUIE	ROIIE	TJTIE	TBUIE	TPSIE	TIE		
														r/w	r/w	r/w	r/w		r/w	r/w	r/w	r/w	r/w	r/w	r/w	r/w	r/w	r/w	r/w		

Bits 31:17 Reserved, must be kept at reset value.

- Bit 16 **NISE**: Normal interrupt summary enable
When this bit is set, a normal interrupt is enabled. When this bit is cleared, a normal interrupt is disabled. This bit enables the following bits:
- ETH_DMASR [0]: Transmit Interrupt
 - ETH_DMASR [2]: Transmit buffer unavailable
 - ETH_DMASR [6]: Receive interrupt
 - ETH_DMASR [14]: Early receive interrupt
- Bit 15 **AISE**: Abnormal interrupt summary enable
When this bit is set, an abnormal interrupt is enabled. When this bit is cleared, an abnormal interrupt is disabled. This bit enables the following bits:
- ETH_DMASR [1]: Transmit process stopped
 - ETH_DMASR [3]: Transmit jabber timeout
 - ETH_DMASR [4]: Receive overflow
 - ETH_DMASR [5]: Transmit underflow
 - ETH_DMASR [7]: Receive buffer unavailable
 - ETH_DMASR [8]: Receive process stopped
 - ETH_DMASR [9]: Receive watchdog timeout
 - ETH_DMASR [10]: Early transmit interrupt
 - ETH_DMASR [13]: Fatal bus error
- Bit 14 **ERIE**: Early receive interrupt enable
When this bit is set with the normal interrupt summary enable bit (ETH_DMAIER register[16]), the early receive interrupt is enabled.
When this bit is cleared, the early receive interrupt is disabled.
- Bit 13 **FBEIE**: Fatal bus error interrupt enable
When this bit is set with the abnormal interrupt summary enable bit (ETH_DMAIER register[15]), the fatal bus error interrupt is enabled.
When this bit is cleared, the fatal bus error enable interrupt is disabled.
- Bits 12:11 Reserved, must be kept at reset value.
- Bit 10 **ETIE**: Early transmit interrupt enable
When this bit is set with the abnormal interrupt summary enable bit (ETH_DMAIER register [15]), the early transmit interrupt is enabled.
When this bit is cleared, the early transmit interrupt is disabled.
- Bit 9 **RWTIE**: receive watchdog timeout interrupt enable
When this bit is set with the abnormal interrupt summary enable bit (ETH_DMAIER register[15]), the receive watchdog timeout interrupt is enabled.
When this bit is cleared, the receive watchdog timeout interrupt is disabled.
- Bit 8 **RPSIE**: Receive process stopped interrupt enable
When this bit is set with the abnormal interrupt summary enable bit (ETH_DMAIER register[15]), the receive stopped interrupt is enabled. When this bit is cleared, the receive stopped interrupt is disabled.
- Bit 7 **RBUIE**: Receive buffer unavailable interrupt enable
When this bit is set with the abnormal interrupt summary enable bit (ETH_DMAIER register[15]), the receive buffer unavailable interrupt is enabled.
When this bit is cleared, the receive buffer unavailable interrupt is disabled.

- Bit 6 **RIE**: Receive interrupt enable
When this bit is set with the normal interrupt summary enable bit (ETH_DMAIER register[16]), the receive interrupt is enabled.
When this bit is cleared, the receive interrupt is disabled.
- Bit 5 **TUIE**: Underflow interrupt enable
When this bit is set with the abnormal interrupt summary enable bit (ETH_DMAIER register[15]), the transmit underflow interrupt is enabled.
When this bit is cleared, the underflow interrupt is disabled.
- Bit 4 **ROIE**: Overflow interrupt enable
When this bit is set with the abnormal interrupt summary enable bit (ETH_DMAIER register[15]), the receive overflow interrupt is enabled.
When this bit is cleared, the overflow interrupt is disabled.
- Bit 3 **TJTIE**: Transmit jabber timeout interrupt enable
When this bit is set with the abnormal interrupt summary enable bit (ETH_DMAIER register[15]), the transmit jabber timeout interrupt is enabled.
When this bit is cleared, the transmit jabber timeout interrupt is disabled.
- Bit 2 **TBUIE**: Transmit buffer unavailable interrupt enable
When this bit is set with the normal interrupt summary enable bit (ETH_DMAIER register[16]), the transmit buffer unavailable interrupt is enabled.
When this bit is cleared, the transmit buffer unavailable interrupt is disabled.
- Bit 1 **TPSIE**: Transmit process stopped interrupt enable
When this bit is set with the abnormal interrupt summary enable bit (ETH_DMAIER register[15]), the transmission stopped interrupt is enabled.
When this bit is cleared, the transmission stopped interrupt is disabled.
- Bit 0 **TIE**: Transmit interrupt enable
When this bit is set with the normal interrupt summary enable bit (ETH_DMAIER register[16]), the transmit interrupt is enabled.
When this bit is cleared, the transmit interrupt is disabled.

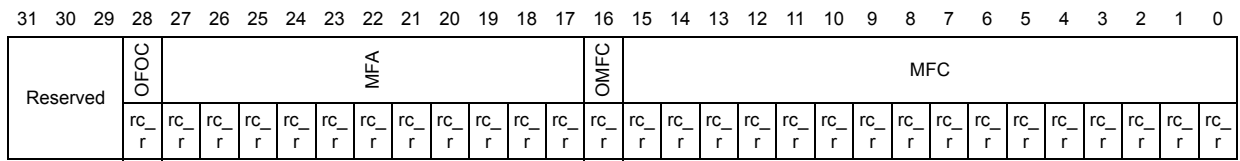
The Ethernet interrupt is generated only when the TSTS or PMTS bits of the DMA Status register is asserted with their corresponding interrupt are unmasked, or when the NIS/AIS Status bit is asserted and the corresponding Interrupt Enable bits (NISE/AISE) are enabled.

Ethernet DMA missed frame and buffer overflow counter register (ETH_DMAMFBOCR)

Address offset: 0x1020

Reset value: 0x0000 0000

The DMA maintains two counters to track the number of missed frames during reception. This register reports the current value of the counter. The counter is used for diagnostic purposes. Bits [15:0] indicate missed frames due to the STM32F20x and STM32F21x buffer being unavailable (no receive descriptor was available). Bits [27:17] indicate missed frames due to Rx FIFO overflow conditions and runt frames (good frames of less than 64 bytes).



Bits 31:29 Reserved, must be kept at reset value.

Bit 28 **OFOC**: Overflow bit for FIFO overflow counter

Bits 27:17 **MFA**: Missed frames by the application
 Indicates the number of frames missed by the application

Bit 16 **OMFC**: Overflow bit for missed frame counter

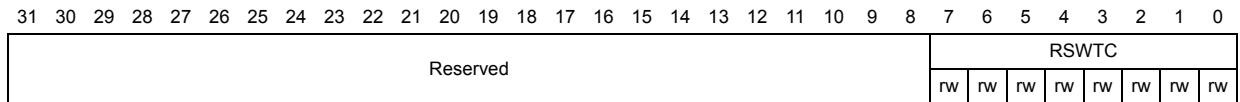
Bits 15:0 **MFC**: Missed frames by the controller
 Indicates the number of frames missed by the Controller due to the host receive buffer being unavailable. This counter is incremented each time the DMA discards an incoming frame.

Ethernet DMA receive status watchdog timer register (ETH_DMARSWTR)

Address offset: 0x1024

Reset value: 0x0000 0000

This register, when written with a non-zero value, enables the watchdog timer for the receive status (RS, ETH_DMASR[6]).



Bits 31:8 Reserved, must be kept at reset value.

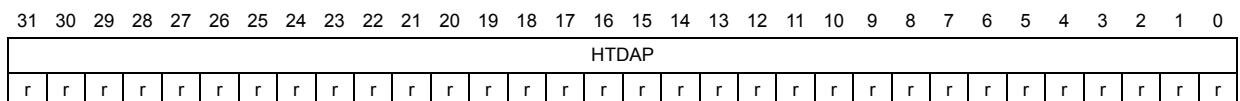
Bits 7:0 **RSWTC**: Receive status (RS) watchdog timer count
 Indicates the number of HCLK clock cycles multiplied by 256 for which the watchdog timer is set. The watchdog timer gets triggered with the programmed value after the RxDMA completes the transfer of a frame for which the RS status bit is not set due to the setting of RDES1[31] in the corresponding descriptor. When the watchdog timer runs out, the RS bit is set and the timer is stopped. The watchdog timer is reset when the RS bit is set high due to automatic setting of RS as per RDES1[31] of any received frame.

Ethernet DMA current host transmit descriptor register (ETH_DMACHTDR)

Address offset: 0x1048

Reset value: 0x0000 0000

The Current host transmit descriptor register points to the start address of the current transmit descriptor read by the DMA.



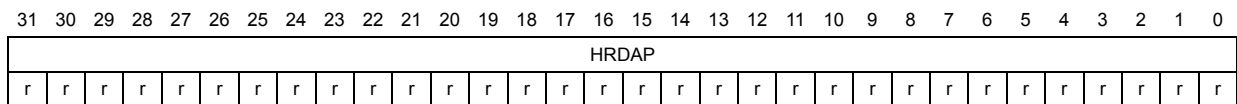
Bits 31:0 **HTDAP**: Host transmit descriptor address pointer
 Cleared . Pointer updated by DMA during operation.

Ethernet DMA current host receive descriptor register (ETH_DMACHRDR)

Address offset: 0x104C

Reset value: 0x0000 0000

The Current host receive descriptor register points to the start address of the current receive descriptor read by the DMA.



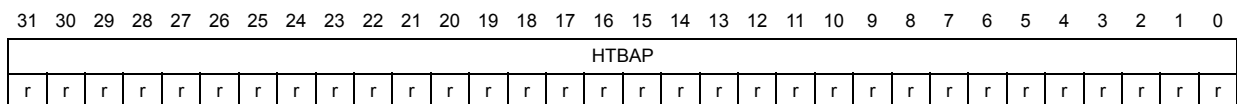
Bits 31:0 **HRDAP**: Host receive descriptor address pointer
 Cleared On Reset. Pointer updated by DMA during operation.

Ethernet DMA current host transmit buffer address register (ETH_DMACHTBAR)

Address offset: 0x1050

Reset value: 0x0000 0000

The Current host transmit buffer address register points to the current transmit buffer address being read by the DMA.



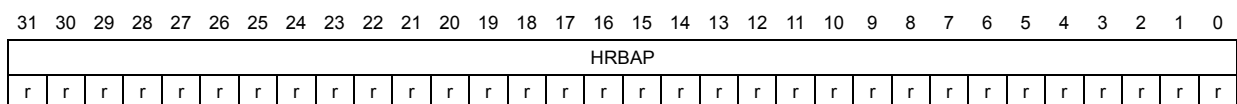
Bits 31:0 **HTBAP**: Host transmit buffer address pointer
 Cleared On Reset. Pointer updated by DMA during operation.

Ethernet DMA current host receive buffer address register (ETH_DMACHRBAR)

Address offset: 0x1054

Reset value: 0x0000 0000

The current host receive buffer address register points to the current receive buffer address being read by the DMA.



Bits 31:0 **HRBAP**: Host receive buffer address pointer
 Cleared On Reset. Pointer updated by DMA during operation.

28.8.5 Ethernet register maps

Table 148 gives the ETH register map and reset values.

Table 148. Ethernet register map and reset values

Offset	Register	31	30	29	28	27	26	25	24	23	22	21	20	19	18	17	16	15	14	13	12	11	10	9	8	7	6	5	4	3	2	1	0																			
0x00	ETH_MACCR	Reserved							CSTF	eserved	WD	JD	Reserved	IFG			CSD	Reserved	FES	ROD	LM	DM	IPCO	RD	Reserved	APCS	BL	DC	TE	RE	Reserved																					
	Reset value	0							0	0	0	0	0	0	0	0	0	0	0	0	0	0	0	0	0	0	0	0	0	0	0	0	0	0																		
0x04	ETH_MACFFR	RA	Reserved																							HPF	SAF	SAIF	PCF	PCF	BFD	PAM	DAIF	HIM	HU	PM																
	Reset value	0	0																							0	0	0	0	0	0	0	0	0	0	0	0	0	0	0	0	0	0	0	0	0	0	0	0	0	0	0
0x08	ETH_MACHTHR	HTH[31:0]																																																		
	Reset value	0	0	0	0	0	0	0	0	0	0	0	0	0	0	0	0	0	0	0	0	0	0	0	0	0	0	0	0	0	0	0	0																			
0x0C	ETH_MACHTLR	HTL[31:0]																																																		
	Reset value	0	0	0	0	0	0	0	0	0	0	0	0	0	0	0	0	0	0	0	0	0	0	0	0	0	0	0	0	0	0	0	0																			
0x10	ETH_MACMIAR	Reserved															PA			MR			CR			MW	MB																									
	Reset value	0															0	0	0	0	0	0	0	0	0	0	0	0	0	0	0																					
0x14	ETH_MACMIIDR	Reserved															MD																																			
	Reset value	0															0	0	0	0	0	0	0	0	0	0	0	0	0	0	0	0	0	0	0	0	0	0	0	0												
0x18	ETH_MACFCR	PT															Reserved						ZQPD	Reserved	PLT	UPFD	RFCE	TFCE	FCB/BPA																							
	Reset value	0	0	0	0	0	0	0	0	0	0	0	0	0	0	0	0	0	0	0	0	0	0	0	0	0	0	0	0	0	0	0																				
0x1C	ETH_MACVLANTR	Reserved															VLANTC	VLANTI																																		
	Reset value	0															0	0	0	0	0	0	0	0	0	0	0	0	0	0	0	0	0	0	0	0	0	0	0	0	0											
0x28	ETH_MACRWUFFR	Frame filter reg0\Frame filter reg1\Frame filter reg2\Frame filter reg3\Frame filter reg4...\Frame filter reg7																																																		
	Reset value	0																																																		
0x2C	ETH_MACPMTCSR	WFFRPR	Reserved																				GU	Reserved	WFR	MFR	Reserved	WFE	MFE	PD																						
	Reset value	0	0																				0	0	0	0	0	0	0	0																						
0x34	ETH_MACDBGR	Reserved							TFF	TFNEGU	Reserved	TFWA	TFRS	MTP	MTFCS	MMTEA	Reserved						RFFL	Reserved	RFRCS	RFWRA	Reserved	MSFRWCS	MMRPEA																							
	Reset value	0							0	0	0	0	0	0	0	0	0	0	0	0	0	0	0	0	0	0	0	0	0																							
0x38	ETH_MACSR	Not applicable															Reserved						TSTS	Reserved	MMCTS	MMCRS	MMCS	PMTS	Reserved																							
	Reset value	0															0	0	0	0	0	0	0	0	0	0	0	0	0	0	0																					

Table 148. Ethernet register map and reset values (continued)

Offset	Register	31	30	29	28	27	26	25	24	23	22	21	20	19	18	17	16	15	14	13	12	11	10	9	8	7	6	5	4	3	2	1	0
0x3C	ETH_MACIMR	Not applicable														Reserved				TSTIM	Reserved				PMTIM	Reserved							
	Reset value																			0					0								
0x40	ETH_MACA0HR	MO	Reserved														MACA0H																
	Reset value	1	0	0	0	0	0	0	0	0	0	0	0	0	0	0	0	0	1	1	1	1	1	1	1	1	1	1	1	1	1	1	1
0x44	ETH_MACA0LR	MACA0L																															
	Reset value	1	1	1	1	1	1	1	1	1	1	1	1	1	1	1	1	1	1	1	1	1	1	1	1	1	1	1	1	1	1	1	1
0x48	ETH_MACA1HR	AE	SA	MBC[6:0]						Reserved								MACA1H															
	Reset value	0	0	0	0	0	0	0	0	0	0	0	0	0	0	0	0	0	1	1	1	1	1	1	1	1	1	1	1	1	1	1	1
0x4C	ETH_MACA1LR	MACA1L																															
	Reset value	1	1	1	1	1	1	1	1	1	1	1	1	1	1	1	1	1	1	1	1	1	1	1	1	1	1	1	1	1	1	1	1
0x50	ETH_MACA2HR	AE	SA	MBC						Reserved								MACA2H															
	Reset value	0	0	0	0	0	0	0	0	0	0	0	0	0	0	0	0	0	1	1	1	1	1	1	1	1	1	1	1	1	1	1	1
0x54	ETH_MACA2LR	MACA2L																															
	Reset value	1	1	1	1	1	1	1	1	1	1	1	1	1	1	1	1	1	1	1	1	1	1	1	1	1	1	1	1	1	1	1	1
0x58	ETH_MACA3HR	AE	SA	MBC						Reserved								MACA3H															
	Reset value	0	0	0	0	0	0	0	0	0	0	0	0	0	0	0	0	0	1	1	1	1	1	1	1	1	1	1	1	1	1	1	1
0x5C	ETH_MACA3LR	MACA3L																															
	Reset value	1	1	1	1	1	1	1	1	1	1	1	1	1	1	1	1	1	1	1	1	1	1	1	1	1	1	1	1	1	1	1	1
0x100	ETH_MMCCR	Reserved																								MCFHP	MCP	MCF	ROR	CSR	CR		
	Reset value																									0	0	0	0	0			
0x104	ETH_MMCRIR	Reserved														RGUFS	Reserved								RFAES	RFCES	Reserved						
	Reset value															0									0	0							
0x108	ETH_MMCTIR	Reserved										TGFS	Reserved						TGFMSCS	TGFSCS	Reserved												
	Reset value											0							0	0													
0x10C	ETH_MMCRIMR	Reserved														RGUFM	Reserved								RFAEM	RFCEM	Reserved						
	Reset value															0									0	0							
0x110	ETH_MMCTIMR	Reserved										TGFM	Reserved						TGFMSCM	TGFSCM	Reserved												
	Reset value											0							0	0													
0x14C	ETH_MMCTGFSCCR	TGFSCC																															
	Reset value	0	0	0	0	0	0	0	0	0	0	0	0	0	0	0	0	0	0	0	0	0	0	0	0	0	0	0	0	0	0	0	
0x150	ETH_MMCTGFMSCR	TGFMSCC																															
	Reset value	0	0	0	0	0	0	0	0	0	0	0	0	0	0	0	0	0	0	0	0	0	0	0	0	0	0	0	0	0	0	0	
0x168	ETH_MMCTGFCR	TGFC																															
	Reset value	0	0	0	0	0	0	0	0	0	0	0	0	0	0	0	0	0	0	0	0	0	0	0	0	0	0	0	0	0	0	0	



Table 148. Ethernet register map and reset values (continued)

Offset	Register	31	30	29	28	27	26	25	24	23	22	21	20	19	18	17	16	15	14	13	12	11	10	9	8	7	6	5	4	3	2	1	0																				
0x194	ETH_MMCRFC ECR	RFCEC																																																			
	Reset value	0	0	0	0	0	0	0	0	0	0	0	0	0	0	0	0	0	0	0	0	0	0	0	0	0	0	0	0	0	0	0	0	0																			
0x198	ETH_MMCRFAE CR	RFAEC																																																			
	Reset value	0	0	0	0	0	0	0	0	0	0	0	0	0	0	0	0	0	0	0	0	0	0	0	0	0	0	0	0	0	0	0	0	0																			
0x1C4	ETH_MMCRGU FCR	RGUFC																																																			
	Reset value	0	0	0	0	0	0	0	0	0	0	0	0	0	0	0	0	0	0	0	0	0	0	0	0	0	0	0	0	0	0	0	0	0																			
0x700	ETH_PTPTSCR	Reserved														TSPFFMAE	TSCNT	TSSMRME	TSSSEME	TSSIPV4FE	TSSIPV6FE	TSSPTPOEFE	TSPTPPSV2E	TSSSR	TSSARFE	Reserved	TTSARU	TSITE	TSSTU	TSSTI	TSFCU	TSE																					
	Reset value															0	0	0	0	0	1	0	0	0	0	0	0	0	0	0	0	0	0	0	0	0	0	0	0	0	0	0	0	0	0								
0x704	ETH_PTSSIR	Reserved																							STSSI																												
	Reset value																								0	0	0	0	0	0	0	0	0	0	0	0	0	0	0	0	0	0	0	0	0	0	0	0	0	0	0	0	0
0x708	ETH_PTPTSHR	STS[31:0]																																																			
	Reset value	0	0	0	0	0	0	0	0	0	0	0	0	0	0	0	0	0	0	0	0	0	0	0	0	0	0	0	0	0	0	0	0	0	0																		
0x70C	ETH_PTPTSLR	STPNS	STSS																																																		
	Reset value	0	0	0	0	0	0	0	0	0	0	0	0	0	0	0	0	0	0	0	0	0	0	0	0	0	0	0	0	0	0	0	0	0																			
0x710	ETH_PTPTSHU R	TSUS																																																			
	Reset value	0	0	0	0	0	0	0	0	0	0	0	0	0	0	0	0	0	0	0	0	0	0	0	0	0	0	0	0	0	0	0	0	0																			
0x714	ETH_PTPTSLU R	TSUPNS	TSUSS																																																		
	Reset value	0	0	0	0	0	0	0	0	0	0	0	0	0	0	0	0	0	0	0	0	0	0	0	0	0	0	0	0	0	0	0	0	0																			
0x718	ETH_PTPTSAR	TSA																																																			
	Reset value	0	0	0	0	0	0	0	0	0	0	0	0	0	0	0	0	0	0	0	0	0	0	0	0	0	0	0	0	0	0	0	0	0																			
0x71C	ETH_PTPTTHR	TTSH																																																			
	Reset value	0	0	0	0	0	0	0	0	0	0	0	0	0	0	0	0	0	0	0	0	0	0	0	0	0	0	0	0	0	0	0	0	0																			
0x720	ETH_PTPTTLR	TTSL																																																			
	Reset value	0	0	0	0	0	0	0	0	0	0	0	0	0	0	0	0	0	0	0	0	0	0	0	0	0	0	0	0	0	0	0	0	0																			
0x728	ETH_PTPTSSR	Reserved																												TSTTR	TSSO																						
	Reset value																													0	0																						
0x72C	ETH_PTPPPSC R	Reserved																											PPS FREQ																								
	Reset value																												0	0	0																						
0x1000	ETH_DMABMR	Reserved				MB	AAB	FPM	USP	RDP				FB	PM	PBL				EDFE	DSL				DA	SR																											
	Reset value					0	0	0	0	0	0	0	0	0	1	0	0	0	0	0	0	0	0	0	0	1	0	0	0	0	0	0	0	0	1																		
0x1004	ETH_DMATPDR	TPD																																																			
	Reset value	0	0	0	0	0	0	0	0	0	0	0	0	0	0	0	0	0	0	0	0	0	0	0	0	0	0	0	0	0	0	0	0	0																			
0x1008	ETH_DMARPDR	RPD																																																			
	Reset value	0	0	0	0	0	0	0	0	0	0	0	0	0	0	0	0	0	0	0	0	0	0	0	0	0	0	0	0	0	0	0	0	0																			

Table 148. Ethernet register map and reset values (continued)

Offset	Register	31	30	29	28	27	26	25	24	23	22	21	20	19	18	17	16	15	14	13	12	11	10	9	8	7	6	5	4	3	2	1	0
0x100C	ETH_DMARDLAR	SRL																															
	Reset value	0	0	0	0	0	0	0	0	0	0	0	0	0	0	0	0	0	0	0	0	0	0	0	0	0	0	0	0	0	0	0	0
0x1010	ETH_DMATDLAR	STL																															
	Reset value	0	0	0	0	0	0	0	0	0	0	0	0	0	0	0	0	0	0	0	0	0	0	0	0	0	0	0	0	0	0	0	0
0x1014	ETH_DMASR	Reserved	TSTS		PMTS	MMCS	Reserved	EBS		TPS		RPS		NIS	AIS	ERS	FBES	Reserved	Reserved	ETS	RWTS	RPSS	RBUS	RS	TUS	ROS	TJTS	TBUS	TPSS	TS			
	Reset value	0	0	0	0	0	0	0	0	0	0	0	0	0	0	0	0	0	0	0	0	0	0	0	0	0	0	0	0	0	0	0	
0x1018	ETH_DMAOMR	Reserved				DTCEFD	RSF	DFRF	Reserved	TSF	FTF	Reserved	TTC		ST	Reserved				FEF	FUGF	Reserved	RTC	OSF	SR	Reserved							
	Reset value	0	0	0	0	0	0	0	0	0	0	0	0	0	0	0	0	0	0	0	0	0	0	0	0	0	0	0	0	0	0	0	
0x101C	ETH_DMAIER	Reserved														NISE	AISE	ERIE	FBEIE	Reserved	ETIE	RWTIE	RPSIE	RBUIE	RIE	TUIE	ROIE	TJTIE	TBUIE	TPSIE	TIE		
	Reset value	0	0	0	0	0	0	0	0	0	0	0	0	0	0	0	0	0	0	0	0	0	0	0	0	0	0	0	0	0	0	0	
0x1020	ETH_DMAMFBOCR	Reserved	OFOC	MFA										OMFC	MFC																		
	Reset value	0	0	0	0	0	0	0	0	0	0	0	0	0	0	0	0	0	0	0	0	0	0	0	0	0	0	0	0	0	0	0	
0x1024	ETH_DMARSWTR	Reserved																						RSWTC									
	Reset value	0	0	0	0	0	0	0	0	0	0	0	0	0	0	0	0	0	0	0	0	0	0	0	0	0	0	0	0	0	0		
0x1048	ETH_DMACHTDR	HTDAP																															
	Reset value	0	0	0	0	0	0	0	0	0	0	0	0	0	0	0	0	0	0	0	0	0	0	0	0	0	0	0	0	0	0	0	
0x104C	ETH_DMACHRDR	HRDAP																															
	Reset value	0	0	0	0	0	0	0	0	0	0	0	0	0	0	0	0	0	0	0	0	0	0	0	0	0	0	0	0	0	0	0	
0x1050	ETH_DMACHTBAR	HTBAP																															
	Reset value	0	0	0	0	0	0	0	0	0	0	0	0	0	0	0	0	0	0	0	0	0	0	0	0	0	0	0	0	0	0	0	
0x1054	ETH_DMACHRBAR	HRBAP																															
	Reset value	0	0	0	0	0	0	0	0	0	0	0	0	0	0	0	0	0	0	0	0	0	0	0	0	0	0	0	0	0	0	0	

Refer to [Section 2.3: Memory map](#) for the register boundary addresses.

29 USB on-the-go full-speed (OTG_FS)

This section applies to the whole STM32F20x and STM32F21x family, unless otherwise specified.

29.1 OTG_FS introduction

Portions Copyright (c) 2004, 2005 Synopsys, Inc. All rights reserved. Used with permission.

This section presents the architecture and the programming model of the OTG_FS controller.

The following acronyms are used throughout this section:

FS	Full-speed
LS	Low-speed
MAC	Media access controller
OTG	On-the-go
PFC	Packet FIFO controller
PHY	Physical layer
USB	Universal serial bus
UTMI	USB 2.0 transceiver macrocell interface (UTMI)

References are made to the following documents:

- USB On-The-Go Supplement, Revision 1.3
- Universal Serial Bus Revision 2.0 Specification

The OTG_FS is a dual-role device (DRD) controller that supports both device and host functions and is fully compliant with the *On-The-Go Supplement to the USB 2.0 Specification*. It can also be configured as a host-only or device-only controller, fully compliant with the *USB 2.0 Specification*. In host mode, the OTG_FS supports full-speed (FS, 12 Mbits/s) and low-speed (LS, 1.5 Mbits/s) transfers whereas in device mode, it only supports full-speed (FS, 12 Mbits/s) transfers. The OTG_FS supports both HNP and SRP. The only external device required is a charge pump for V_{BUS} in host mode.

29.2 OTG_FS main features

The main features can be divided into three categories: general, host-mode and device-mode features.

29.2.1 General features

The OTG_FS interface general features are the following:

- It is USB-IF certified to the Universal Serial Bus Specification Rev 2.0
- It includes full support (PHY) for the optional On-The-Go (OTG) protocol detailed in the On-The-Go Supplement Rev 1.3 specification
 - Integrated support for A-B Device Identification (ID line)
 - Integrated support for host Negotiation Protocol (HNP) and Session Request Protocol (SRP)
 - It allows host to turn V_{BUS} off to conserve battery power in OTG applications
 - It supports OTG monitoring of V_{BUS} levels with internal comparators
 - It supports dynamic host-peripheral switch of role
- It is software-configurable to operate as:
 - SRP capable USB FS Peripheral (B-device)
 - SRP capable USB FS/LS host (A-device)
 - USB On-The-Go Full-Speed Dual Role device
- It supports FS SOF and LS Keep-alives with
 - SOF pulse PAD connectivity (OTG_FS_SOF)
 - SOF pulse internal connection to timer2 (TIM2)
 - Configurable framing period
 - Configurable end of frame interrupt
- It includes power saving features such as system stop during USB Suspend, switch-off of clock domains internal to the digital core, PHY and DFIFO power management
- It features a dedicated RAM of 1.25 Kbytes with advanced FIFO control:
 - Configurable partitioning of RAM space into different FIFOs for flexible and efficient use of RAM
 - Each FIFO can hold multiple packets
 - Dynamic memory allocation
 - Configurable FIFO sizes that are not powers of 2 to allow the use of contiguous memory locations
- It guarantees max USB bandwidth for up to one frame (1ms) without system intervention

29.2.2 Host-mode features

The OTG_FS interface main features and requirements in host-mode are the following:

- External charge pump for V_{BUS} voltage generation.
- Up to 8 host channels (pipes): each channel is dynamically reconfigurable to allocate any type of USB transfer.
- Built-in hardware scheduler holding:
 - Up to 8 interrupt plus isochronous transfer requests in the periodic hardware queue
 - Up to 8 control plus bulk transfer requests in the non-periodic hardware queue
- Management of a shared RX FIFO, a periodic TX FIFO and a nonperiodic TX FIFO for efficient usage of the USB data RAM.

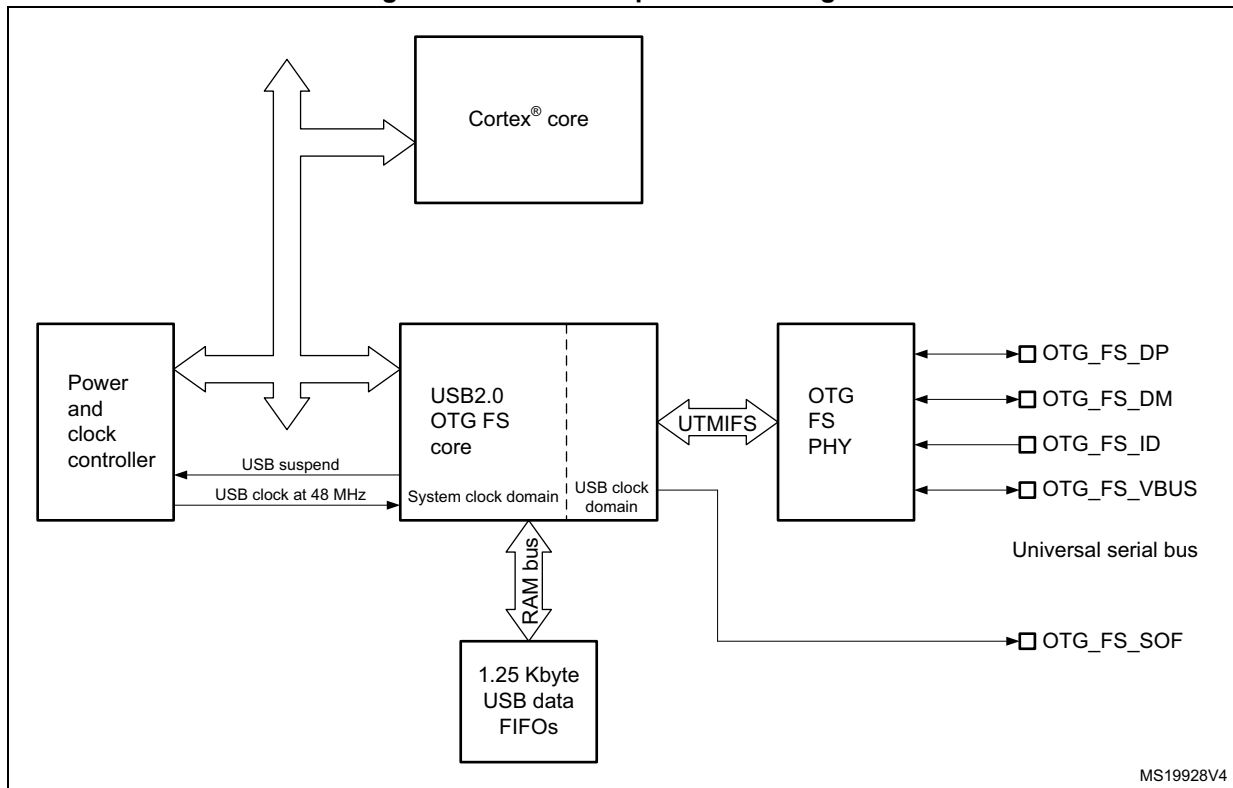
29.2.3 Peripheral-mode features

The OTG_FS interface main features in peripheral-mode are the following:

- 1 bidirectional control endpoint0
- 3 IN endpoints (EPs) configurable to support Bulk, Interrupt or Isochronous transfers
- 3 OUT endpoints configurable to support Bulk, Interrupt or Isochronous transfers
- Management of a shared Rx FIFO and a Tx-OUT FIFO for efficient usage of the USB data RAM
- Management of up to 4 dedicated Tx-IN FIFOs (one for each active IN EP) to put less load on the application
- Support for the soft disconnect feature.

29.3 OTG_FS functional description

Figure 349. OTG full-speed block diagram



MS19928V4

29.3.1 OTG pins

Table 149. OTG_FS input/output pins

Signal name	Signal type	Description
OTG_FS_DP	Digital input/output	USB OTG D+ line
OTG_FS_DM	Digital input/output	USB OTG D- line
OTG_FS_ID	Digital input	USB OTG ID
OTG_FS_VBUS	Analog input	USB OTG VBUS
OTG_FS_SOF	Digital output	USB OTG Start Of Frame (visibility)

29.3.2 OTG full-speed core

The USB OTG FS receives the 48 MHz $\pm 0.25\%$ clock from the reset and clock controller (RCC), via an external quartz. The USB clock is used for driving the 48 MHz domain at full-speed (12 Mbit/s) and must be enabled prior to configuring the OTG FS core.

The CPU reads and writes from/to the OTG FS core registers through the AHB peripheral bus. It is informed of USB events through the single USB OTG interrupt line described in [Section 29.15: OTG_FS interrupts](#).

The CPU submits data over the USB by writing 32-bit words to dedicated OTG_FS locations (push registers). The data are then automatically stored into Tx-data FIFOs configured within the USB data RAM. There is one Tx-FIFO push register for each in-endpoint (peripheral mode) or out-channel (host mode).

The CPU receives the data from the USB by reading 32-bit words from dedicated OTG_FS addresses (pop registers). The data are then automatically retrieved from a shared Rx-FIFO configured within the 1.25 KB USB data RAM. There is one Rx-FIFO pop register for each out-endpoint or in-channel.

The USB protocol layer is driven by the serial interface engine (SIE) and serialized over the USB by the full-/low-speed transceiver module within the on-chip physical layer (PHY).

29.3.3 Full-speed OTG PHY

The embedded full-speed OTG PHY is controlled by the OTG FS core and conveys USB control & data signals through the full-speed subset of the UTMI+ Bus (UTMIFS). It provides the physical support to USB connectivity.

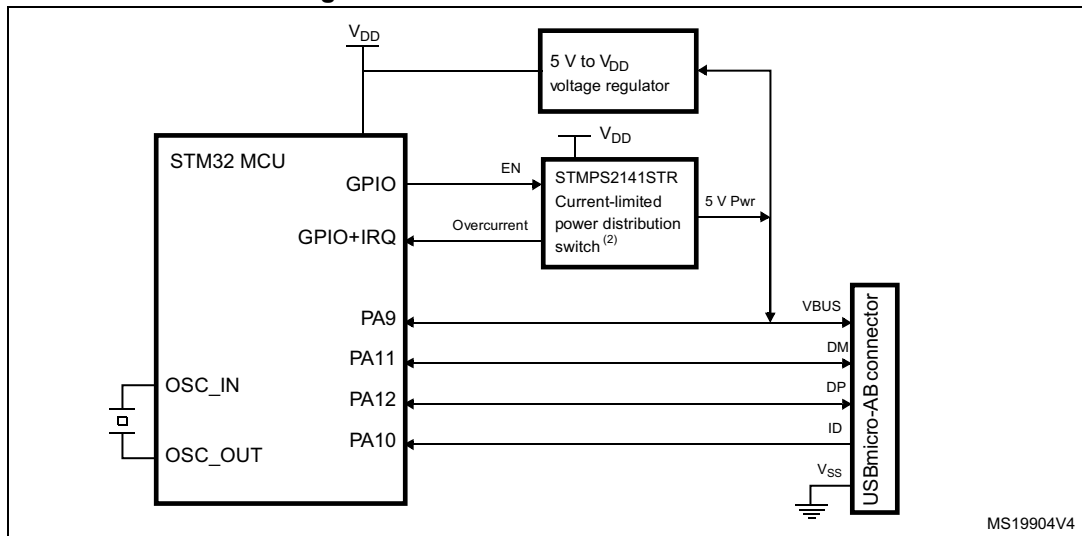
The full-speed OTG PHY includes the following components:

- FS/LS transceiver module used by both host and device. It directly drives transmission and reception on the single-ended USB lines.
- integrated ID pull-up resistor used to sample the ID line for A/B device identification.
- DP/DM integrated pull-up and pull-down resistors controlled by the OTG_FS core depending on the current role of the device. As a peripheral, it enables the DP pull-up resistor to signal full-speed peripheral connections as soon as V_{BUS} is sensed to be at a valid level (B-session valid). In host mode, pull-down resistors are enabled on both DP/DM. Pull-up and pull-down resistors are dynamically switched when the device's role is changed via the host negotiation protocol (HNP).
- Pull-up/pull-down resistor ECN circuit. The DP pull-up consists of 2 resistors controlled separately from the OTG_FS as per the resistor Engineering Change Notice applied to USB Rev2.0. The dynamic trimming of the DP pull-up strength allows for better noise rejection and Tx/Rx signal quality.
- V_{BUS} sensing comparators with hysteresis used to detect V_{BUS} Valid, A-B Session Valid and session-end voltage thresholds. They are used to drive the session request protocol (SRP), detect valid startup and end-of-session conditions, and constantly monitor the V_{BUS} supply during USB operations.
- V_{BUS} pulsing method circuit used to charge/discharge V_{BUS} through resistors during the SRP (weak drive).

Caution: To guarantee a correct operation for the USB OTG FS peripheral, the AHB frequency should be higher than 14.2 MHz.

29.4 OTG dual role device (DRD)

Figure 350. OTG A-B device connection



1. External voltage regulator only needed when building a V_{BUS} powered device
2. STMP2141STR needed only if the application has to support a V_{BUS} powered device. A basic power switch can be used if 5 V are available on the application board.

29.4.1 ID line detection

The host or peripheral (the default) role is assumed depending on the ID input pin (OTG_FS_ID). The ID line status is determined on plugging in the USB, depending on which side of the USB cable is connected to the micro-AB receptacle.

- If the B-side of the USB cable is connected with a floating ID wire, the integrated pull-up resistor detects a high ID level and the default Peripheral role is confirmed. In this configuration the OTG_FS complies with the standard FSM described by section 6.8.2: On-The-Go B-device of the On-The-Go Specification Rev1.3 supplement to the USB2.0.
- If the A-side of the USB cable is connected with a grounded ID, the OTG_FS issues an ID line status change interrupt (CIDSCHG bit in OTG_FS_GINTSTS) for host software initialization, and automatically switches to the host role. In this configuration the OTG_FS complies with the standard FSM described by section 6.8.1: On-The-Go A-device of the On-The-Go Specification Rev1.3 supplement to the USB2.0.

29.4.2 HNP dual role device

The HNP capable bit in the Global USB configuration register (HNPCAP bit in OTG_FS_GUSBCFG) enables the OTG_FS core to dynamically change its role from A-host to A-peripheral and vice-versa, or from B-Peripheral to B-host and vice-versa according to the host negotiation protocol (HNP). The current device status can be read by the combined values of the Connector ID Status bit in the Global OTG control and status register (CIDSTS bit in OTG_FS_GOTGCTL) and the current mode of operation bit in the global interrupt and status register (CMOD bit in OTG_FS_GINTSTS).

The HNP program model is described in detail in [Section 29.17: OTG_FS programming model](#).

29.4.3 SRP dual role device

The SRP capable bit in the global USB configuration register (SRPCAP bit in OTG_FS_GUSBCFG) enables the OTG_FS core to switch off the generation of V_{BUS} for the A-device to save power. Note that the A-device is always in charge of driving V_{BUS} regardless of the host or peripheral role of the OTG_FS.

the SRP A/B-device program model is described in detail in [Section 29.17: OTG_FS programming model](#).

29.5 USB peripheral

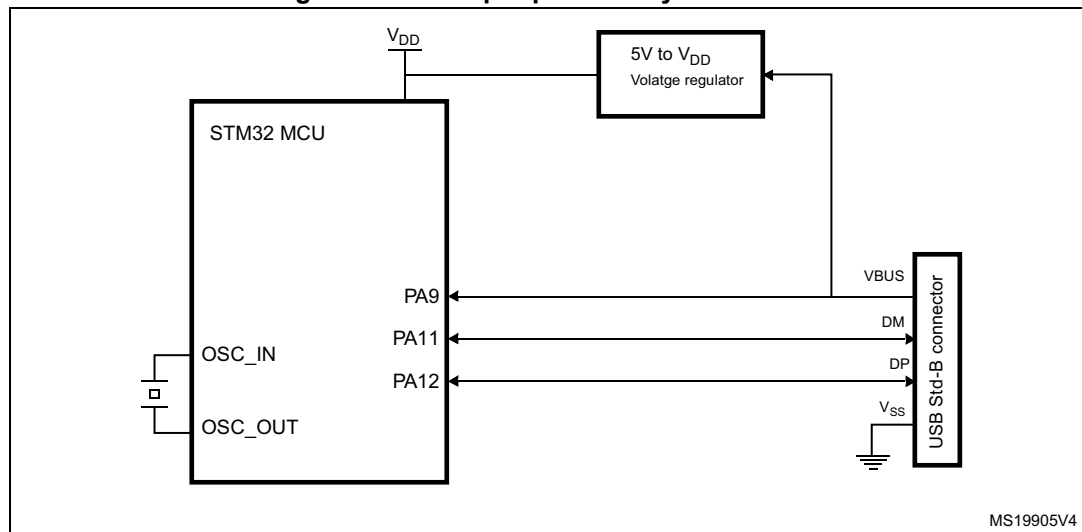
This section gives the functional description of the OTG_FS in the USB peripheral mode. The OTG_FS works as an USB peripheral in the following circumstances:

- OTG B-Peripheral
 - OTG B-device default state if B-side of USB cable is plugged in
- OTG A-Peripheral
 - OTG A-device state after the HNP switches the OTG_FS to its peripheral role
- B-device
 - If the ID line is present, functional and connected to the B-side of the USB cable, and the HNP-capable bit in the Global USB Configuration register (HNPCAP bit in OTG_FS_GUSBCFG) is cleared (see On-The-Go Rev1.3 par. 6.8.3).
- Peripheral only (see [Figure 351: USB peripheral-only connection](#))
 - The force device mode bit in the Global USB configuration register (FDMOD in OTG_FS_GUSBCFG) is set to 1, forcing the OTG_FS core to work as a USB peripheral-only (see On-The-Go Rev1.3 par. 6.8.3). In this case, the ID line is ignored even if present on the USB connector.

Note: To build a bus-powered device implementation in case of the B-device or peripheral-only configuration, an external regulator has to be added that generates the V_{DD} chip-supply from V_{BUS} .

The V_{BUS} pin can be freed by disabling the V_{BUS} sensing option. This is done by setting the NOVBUSSENS bit in the OTG_FS_GCCFG register. In this case the V_{BUS} is considered internally to be always at V_{BUS} valid level (5 V).

Figure 351. USB peripheral-only connection



1. Use a regulator to build a bus-powered device.

29.5.1 SRP-capable peripheral

The SRP capable bit in the Global USB configuration register (SRPCAP bit in OTG_FS_GUSBCFG) enables the OTG_FS to support the session request protocol (SRP). In this way, it allows the remote A-device to save power by switching off V_{BUS} while the USB session is suspended.

The SRP peripheral mode program model is described in detail in the [B-device session request protocol](#) section.

29.5.2 Peripheral states

Powered state

The V_{BUS} input detects the B-Session valid voltage by which the USB peripheral is allowed to enter the powered state (see USB2.0 par9.1). The OTG_FS then automatically connects the DP pull-up resistor to signal full-speed device connection to the host and generates the session request interrupt (SRQINT bit in OTG_FS_GINTSTS) to notify the powered state.

The V_{BUS} input also ensures that valid V_{BUS} levels are supplied by the host during USB operations. If a drop in V_{BUS} below B-session valid happens to be detected (for instance because of a power disturbance or if the host port has been switched off), the OTG_FS automatically disconnects and the session end detected (SEDET bit in OTG_FS_GOTGINT) interrupt is generated to notify that the OTG_FS has exited the powered state.

In the powered state, the OTG_FS expects to receive some reset signaling from the host. No other USB operation is possible. When a reset signaling is received the reset detected interrupt (USBRST in OTG_FS_GINTSTS) is generated. When the reset signaling is complete, the enumeration done interrupt (ENUMDNE bit in OTG_FS_GINTSTS) is generated and the OTG_FS enters the Default state.

Soft disconnect

The powered state can be exited by software with the soft disconnect feature. The DP pull-up resistor is removed by setting the soft disconnect bit in the device control register (SDIS bit in OTG_FS_DCTL), causing a device disconnect detection interrupt on the host side even though the USB cable was not really removed from the host port.

Default state

In the Default state the OTG_FS expects to receive a SET_ADDRESS command from the host. No other USB operation is possible. When a valid SET_ADDRESS command is decoded on the USB, the application writes the corresponding number into the device address field in the device configuration register (DAD bit in OTG_FS_DCFG). The OTG_FS then enters the address state and is ready to answer host transactions at the configured USB address.

Suspended state

The OTG_FS peripheral constantly monitors the USB activity. After counting 3 ms of USB idleness, the early suspend interrupt (ESUSP bit in OTG_FS_GINTSTS) is issued, and confirmed 3 ms later, if appropriate, by the suspend interrupt (USBSUSP bit in OTG_FS_GINTSTS). The device suspend bit is then automatically set in the device status register (SUSPSTS bit in OTG_FS_DSTS) and the OTG_FS enters the suspended state.

The suspended state may optionally be exited by the device itself. In this case the application sets the remote wake-up signaling bit in the device control register (RWUSIG bit in OTG_FS_DCTL) and clears it after 1 to 15 ms.

When a resume signaling is detected from the host, the resume interrupt (WKUPINT bit in OTG_FS_GINTSTS) is generated and the device suspend bit is automatically cleared.

29.5.3 Peripheral endpoints

The OTG_FS core instantiates the following USB endpoints:

- Control endpoint 0:
 - Bidirectional and handles control messages only
 - Separate set of registers to handle in and out transactions
 - Proper control (OTG_FS_DIEPCTL0/OTG_FS_DOEPCTL0), transfer configuration (OTG_FS_DIEPTSIZ0/OTG_FS_DIEPTSIZ0), and status-interrupt (OTG_FS_DIEPINTx/OTG_FS_DOEPINT0) registers. The available set of bits inside the control and transfer size registers slightly differs from that of other endpoints
- 3 IN endpoints
 - Each of them can be configured to support the isochronous, bulk or interrupt transfer type
 - Each of them has proper control (OTG_FS_DIEPCTLx), transfer configuration (OTG_FS_DIEPTSIZx), and status-interrupt (OTG_FS_DIEPINTx) registers
 - The Device IN endpoints common interrupt mask register (OTG_FS_DIEPMSK) is available to enable/disable a single kind of endpoint interrupt source on all of the IN endpoints (EP0 included)
 - Support for incomplete isochronous IN transfer interrupt (IISOIXFR bit in OTG_FS_GINTSTS), asserted when there is at least one isochronous IN endpoint

on which the transfer is not completed in the current frame. This interrupt is asserted along with the end of periodic frame interrupt (OTG_FS_GINTSTS/EOPF).

- 3 OUT endpoints
 - Each of them can be configured to support the isochronous, bulk or interrupt transfer type
 - Each of them has a proper control (OTG_FS_DOEPCTLx), transfer configuration (OTG_FS_DOEPTSIZx) and status-interrupt (OTG_FS_DOEPINTx) register
 - Device Out endpoints common interrupt mask register (OTG_FS_DOEPMSK) is available to enable/disable a single kind of endpoint interrupt source on all of the OUT endpoints (EP0 included)
 - Support for incomplete isochronous OUT transfer interrupt (INCOMPISOOUT bit in OTG_FS_GINTSTS), asserted when there is at least one isochronous OUT endpoint on which the transfer is not completed in the current frame. This interrupt is asserted along with the end of periodic frame interrupt (OTG_FS_GINTSTS/EOPF).

Endpoint control

- The following endpoint controls are available to the application through the device endpoint-x IN/OUT control register (DIEPCTLx/DOEPCTLx):
 - Endpoint enable/disable
 - Endpoint activate in current configuration
 - Program USB transfer type (isochronous, bulk, interrupt)
 - Program supported packet size
 - Program Tx-FIFO number associated with the IN endpoint
 - Program the expected or transmitted data0/data1 PID (bulk/interrupt only)
 - Program the even/odd frame during which the transaction is received or transmitted (isochronous only)
 - Optionally program the NAK bit to always negative-acknowledge the host regardless of the FIFO status
 - Optionally program the STALL bit to always stall host tokens to that endpoint
 - Optionally program the SNOOP mode for OUT endpoint not to check the CRC field of received data

Endpoint transfer

The device endpoint-x transfer size registers (DIEPTSIZx/DOEPTSIZx) allow the application to program the transfer size parameters and read the transfer status. Programming must be done before setting the endpoint enable bit in the endpoint control register. Once the endpoint is enabled, these fields are read-only as the OTG FS core updates them with the current transfer status.

The following transfer parameters can be programmed:

- Transfer size in bytes
- Number of packets that constitute the overall transfer size

Endpoint status/interrupt

The device endpoint-x interrupt registers (DIEPINT_x/DOPEPINT_x) indicate the status of an endpoint with respect to USB- and AHB-related events. The application must read these registers when the OUT endpoint interrupt bit or the IN endpoint interrupt bit in the core interrupt register (OEPINT bit in OTG_FS_GINTSTS or IEPINT bit in OTG_FS_GINTSTS, respectively) is set. Before the application can read these registers, it must first read the device all endpoints interrupt (OTG_FS_DAIN_T) register to get the exact endpoint number for the device endpoint-x interrupt register. The application must clear the appropriate bit in this register to clear the corresponding bits in the DAIN_T and GINTSTS registers

The peripheral core provides the following status checks and interrupt generation:

- Transfer completed interrupt, indicating that data transfer was completed on both the application (AHB) and USB sides
- Setup stage has been done (control-out only)
- Associated transmit FIFO is half or completely empty (in endpoints)
- NAK acknowledge has been transmitted to the host (isochronous-in only)
- IN token received when Tx-FIFO was empty (bulk-in/interrupt-in only)
- Out token received when endpoint was not yet enabled
- Babble error condition has been detected
- Endpoint disable by application is effective
- Endpoint NAK by application is effective (isochronous-in only)
- More than 3 back-to-back setup packets were received (control-out only)
- Timeout condition detected (control-in only)
- Isochronous out packet has been dropped, without generating an interrupt

29.6 USB host

This section gives the functional description of the OTG_FS in the USB host mode. The OTG_FS works as a USB host in the following circumstances:

- OTG A-host
 - OTG A-device default state when the A-side of the USB cable is plugged in
- OTG B-host
 - OTG B-device after HNP switching to the host role
- A-device
 - If the ID line is present, functional and connected to the A-side of the USB cable, and the HNP-capable bit is cleared in the Global USB Configuration register (HNPCAP bit in OTG_FS_GUSBCFG). Integrated pull-down resistors are automatically set on the DP/DM lines.
- Host only (see [Figure 352: USB host-only connection](#)).
 - The force host mode bit in the global USB configuration register (FHMOD bit in OTG_FS_GUSBCFG) forces the OTG_FS core to work as a USB host-only. In this case, the ID line is ignored even if present on the USB connector. Integrated pull-down resistors are automatically set on the DP/DM lines.

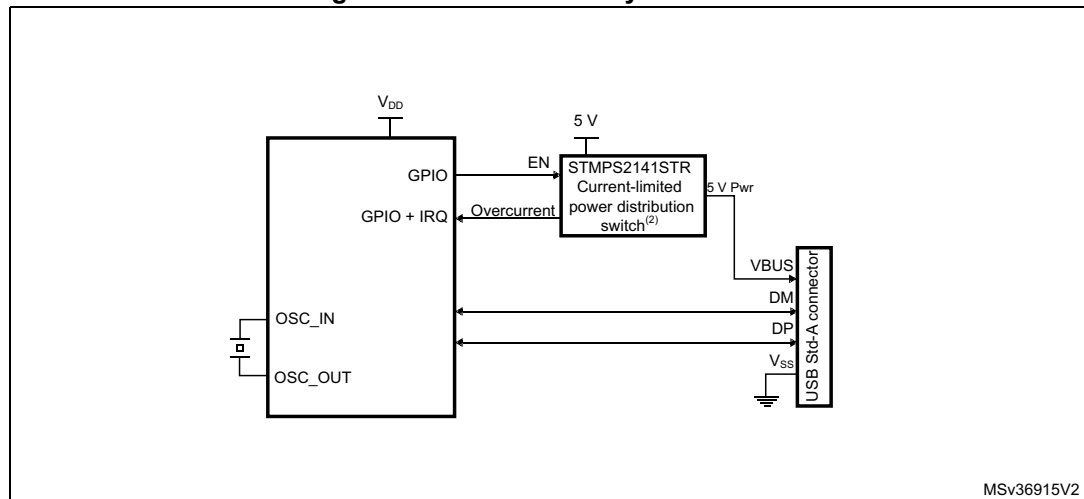
Note: On-chip 5 V V_{BUS} generation is not supported. For this reason, a charge pump or, if 5 V are available on the application board, a basic power switch must be added externally to drive

the 5 V V_{BUS} line. The external charge pump can be driven by any GPIO output. This is required for the OTG A-host, A-device and host-only configurations.

The V_{BUS} input ensures that valid V_{BUS} levels are supplied by the charge pump during USB operations while the charge pump overcurrent output can be input to any GPIO pin configured to generate port interrupts. The overcurrent ISR must promptly disable the V_{BUS} generation.

The V_{BUS} pin can be freed by disabling the V_{BUS} sensing option. This is done by setting the `NOVBUSSENS` bit in the `OTG_FS_GCCFG` register. In this case the V_{BUS} is considered internally to be always at V_{BUS} valid level (5 V).

Figure 352. USB host-only connection



1. STMP2141STR needed only if the application has to support a V_{BUS} powered device. A basic power switch can be used if 5 V are available on the application board.
2. V_{DD} range is between 2 V and 3.6 V.

29.6.1 SRP-capable host

SRP support is available through the SRP capable bit in the global USB configuration register (`SRPCAP` bit in `OTG_FS_GUSBCFG`). With the SRP feature enabled, the host can save power by switching off the V_{BUS} power while the USB session is suspended.

The SRP host mode program model is described in detail in the [A-device session request protocol](#) section.

29.6.2 USB host states

Host port power

On-chip 5 V V_{BUS} generation is not supported. For this reason, a charge pump or, if 5 V are available on the application board, a basic power switch, must be added externally to drive the 5 V V_{BUS} line. The external charge pump can be driven by any GPIO output. When the application decides to power on V_{BUS} using the chosen GPIO, it must also set the port power bit in the host port control and status register (`PPWR` bit in `OTG_FS_HPRT`).

V_{BUS} valid

When HNP or SRP is enabled the VBUS sensing pin (PA9) pin should be connected to V_{BUS}. The V_{BUS} input ensures that valid V_{BUS} levels are supplied by the charge pump during USB operations. Any unforeseen V_{BUS} voltage drop below the V_{BUS} valid threshold (4.25 V) leads to an OTG interrupt triggered by the session end detected bit (SEDET bit in OTG_FS_GOTGINT). The application is then required to remove the V_{BUS} power and clear the port power bit.

When HNP and SRP are both disabled, the VBUS sensing pin (PA9) should not be connected to V_{BUS}. This pin can be used as GPIO.

The charge pump overcurrent flag can also be used to prevent electrical damage. Connect the overcurrent flag output from the charge pump to any GPIO input and configure it to generate a port interrupt on the active level. The overcurrent ISR must promptly disable the V_{BUS} generation and clear the port power bit.

Host detection of a peripheral connection

If SRP or HNP are enabled, even if USB peripherals or B-devices can be attached at any time, the OTG_FS does not detect any bus connection until V_{BUS} is no longer sensed at a valid level (5 V). When V_{BUS} is at a valid level and a remote B-device is attached, the OTG_FS core issues a host port interrupt triggered by the device connected bit in the host port control and status register (PCDET bit in OTG_FS_HPRT).

When HNP and SRP are both disabled, USB peripherals or B-device are detected as soon as they are connected. The OTG_FS core issues a host port interrupt triggered by the device connected bit in the host port control and status (PCDET bit in OTG_FS_HPRT).

Host detection of peripheral a disconnection

The peripheral disconnection event triggers the disconnect detected interrupt (DISCINT bit in OTG_FS_GINTSTS).

Host enumeration

After detecting a peripheral connection the host must start the enumeration process by sending USB reset and configuration commands to the new peripheral.

Before starting to drive a USB reset, the application waits for the OTG interrupt triggered by the debounce done bit (DBCDNE bit in OTG_FS_GOTGINT), which indicates that the bus is stable again after the electrical debounce caused by the attachment of a pull-up resistor on DP (FS) or DM (LS).

The application drives a USB reset signaling (single-ended zero) over the USB by keeping the port reset bit set in the host port control and status register (PRST bit in OTG_FS_HPRT) for a minimum of 10 ms and a maximum of 20 ms. The application takes care of the timing count and then of clearing the port reset bit.

Once the USB reset sequence has completed, the host port interrupt is triggered by the port enable/disable change bit (PENCHNG bit in OTG_FS_HPRT). This informs the application that the speed of the enumerated peripheral can be read from the port speed field in the host port control and status register (PSPD bit in OTG_FS_HPRT) and that the host is starting to drive SOFs (FS) or Keep alives (LS). The host is now ready to complete the peripheral enumeration by sending peripheral configuration commands.

Host suspend

The application decides to suspend the USB activity by setting the port suspend bit in the host port control and status register (PSUSP bit in OTG_FS_HPRT). The OTG_FS core stops sending SOFs and enters the suspended state.

The suspended state can be optionally exited on the remote device's initiative (remote wake-up). In this case the remote wake-up interrupt (WKUPINT bit in OTG_FS_GINTSTS) is generated upon detection of a remote wake-up signaling, the port resume bit in the host port control and status register (PRES bit in OTG_FS_HPRT) self-sets, and resume signaling is automatically driven over the USB. The application must time the resume window and then clear the port resume bit to exit the suspended state and restart the SOF.

If the suspended state is exited on the host initiative, the application must set the port resume bit to start resume signaling on the host port, time the resume window and finally clear the port resume bit.

29.6.3 Host channels

The OTG_FS core instantiates 8 host channels. Each host channel supports an USB host transfer (USB pipe). The host is not able to support more than 8 transfer requests at the same time. If more than 8 transfer requests are pending from the application, the host controller driver (HCD) must re-allocate channels when they become available from previous duty, that is, after receiving the transfer completed and channel halted interrupts.

Each host channel can be configured to support in/out and any type of periodic/nonperiodic transaction. Each host channel makes use of proper control (HCCHARx), transfer configuration (HCTSIZx) and status/interrupt (HCINTx) registers with associated mask (HCINTMSKx) registers.

Host channel control

- The following host channel controls are available to the application through the host channel-x characteristics register (HCCHARx):
 - Channel enable/disable
 - Program the FS/LS speed of target USB peripheral
 - Program the address of target USB peripheral
 - Program the endpoint number of target USB peripheral
 - Program the transfer IN/OUT direction
 - Program the USB transfer type (control, bulk, interrupt, isochronous)
 - Program the maximum packet size (MPS)
 - Program the periodic transfer to be executed during odd/even frames

Host channel transfer

The host channel transfer size registers (HCTSIZx) allow the application to program the transfer size parameters, and read the transfer status. Programming must be done before setting the channel enable bit in the host channel characteristics register. Once the endpoint

is enabled the packet count field is read-only as the OTG FS core updates it according to the current transfer status.

- The following transfer parameters can be programmed:
 - transfer size in bytes
 - number of packets making up the overall transfer size
 - initial data PID

Host channel status/interrupt

The host channel-x interrupt register (HCINTx) indicates the status of an endpoint with respect to USB- and AHB-related events. The application must read these register when the host channels interrupt bit in the core interrupt register (HCINT bit in OTG_FS_GINTSTS) is set. Before the application can read these registers, it must first read the host all channels interrupt (HCAINT) register to get the exact channel number for the host channel-x interrupt register. The application must clear the appropriate bit in this register to clear the corresponding bits in the HCAINT and GINTSTS registers. The mask bits for each interrupt source of each channel are also available in the OTG_FS_HCINTMSK-x register.

- The host core provides the following status checks and interrupt generation:
 - Transfer completed interrupt, indicating that the data transfer is complete on both the application (AHB) and USB sides
 - Channel has stopped due to transfer completed, USB transaction error or disable command from the application
 - Associated transmit FIFO is half or completely empty (IN endpoints)
 - ACK response received
 - NAK response received
 - STALL response received
 - USB transaction error due to CRC failure, timeout, bit stuff error, false EOP
 - Babble error
 - fraMe overrun
 - dAta toggle error

29.6.4 Host scheduler

The host core features a built-in hardware scheduler which is able to autonomously re-order and manage the USB transaction requests posted by the application. At the beginning of each frame the host executes the periodic (isochronous and interrupt) transactions first, followed by the nonperiodic (control and bulk) transactions to achieve the higher level of priority granted to the isochronous and interrupt transfer types by the USB specification.

The host processes the USB transactions through request queues (one for periodic and one for nonperiodic). Each request queue can hold up to 8 entries. Each entry represents a pending transaction request from the application, and holds the IN or OUT channel number along with other information to perform a transaction on the USB. The order in which the requests are written to the queue determines the sequence of the transactions on the USB interface.

At the beginning of each frame, the host processes the periodic request queue first, followed by the nonperiodic request queue. The host issues an incomplete periodic transfer interrupt (IPXFR bit in OTG_FS_GINTSTS) if an isochronous or interrupt transaction scheduled for the current frame is still pending at the end of the current frame. The OTG HS core is fully

responsible for the management of the periodic and nonperiodic request queues. The periodic transmit FIFO and queue status register (HPTXSTS) and nonperiodic transmit FIFO and queue status register (HNPTXSTS) are read-only registers which can be used by the application to read the status of each request queue. They contain:

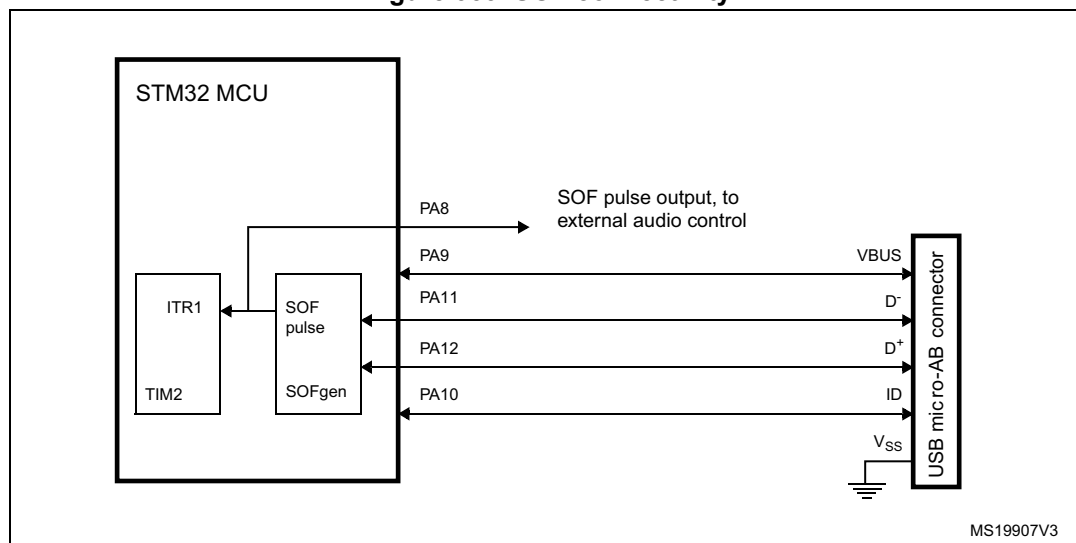
- The number of free entries currently available in the periodic (nonperiodic) request queue (8 max)
- Free space currently available in the periodic (nonperiodic) Tx-FIFO (out-transactions)
- IN/OUT token, host channel number and other status information.

As request queues can hold a maximum of 8 entries each, the application can push to schedule host transactions in advance with respect to the moment they physically reach the SB for a maximum of 8 pending periodic transactions plus 8 pending nonperiodic transactions.

To post a transaction request to the host scheduler (queue) the application must check that there is at least 1 entry available in the periodic (nonperiodic) request queue by reading the PTXQSAV bits in the OTG_FS_HNPTXSTS register or NPTQSAV bits in the OTG_FS_HNPTXSTS register.

29.7 SOF trigger

Figure 353. SOF connectivity



The OTG FS core provides means to monitor, track and configure SOF framing in the host and peripheral, as well as an SOF pulse output connectivity feature.

Such utilities are especially useful for adaptive audio clock generation techniques, where the audio peripheral needs to synchronize to the isochronous stream provided by the PC, or the host needs to trim its framing rate according to the requirements of the audio peripheral.

29.7.1 Host SOFs

In host mode the number of PHY clocks occurring between the generation of two consecutive SOF (FS) or Keep-alive (LS) tokens is programmable in the host frame interval register (HFIR), thus providing application control over the SOF framing period. An interrupt

is generated at any start of frame (SOF bit in OTH_FS_GINTSTS). The current frame number and the time remaining until the next SOF are tracked in the host frame number register (HFNUM).

An SOF pulse signal, generated at any SOF starting token and with a width of 20 HCLK cycles, can be made available externally on the OTG_FS_SOF pin using the SOFOUTEN bit in the global control and configuration register. The SOF pulse is also internally connected to the input trigger of timer 2 (TIM2), so that the input capture feature, the output compare feature and the timer can be triggered by the SOF pulse. The TIM2 connection is enabled through the ITR1_RMP bits of TIM2_OR register.

29.7.2 Peripheral SOFs

In device mode, the start of frame interrupt is generated each time an SOF token is received on the USB (SOF bit in OTH_FS_GINTSTS). The corresponding frame number can be read from the device status register (FNSOF bit in OTG_FS_DSTS). An SOF pulse signal with a width of 20 HCLK cycles is also generated and can be made available externally on the OTG_FS_SOF pin by using the SOF output enable bit in the global control and configuration register (SOFOUTEN bit in OTG_FS_GCCFG). The SOF pulse signal is also internally connected to the TIM2 input trigger, so that the input capture feature, the output compare feature and the timer can be triggered by the SOF pulse. The TIM2 connection is enabled through the ITR1_RMP bits of the TIM2 option register (TIM2_OR).

The end of periodic frame interrupt (GINTSTS/EOPF) is used to notify the application when 80%, 85%, 90% or 95% of the time frame interval elapsed depending on the periodic frame interval field in the device configuration register (PFIVL bit in OTG_FS_DCFG). This feature can be used to determine if all of the isochronous traffic for that frame is complete.

29.8 OTG low-power modes

Table 150 below defines the STM32 low power modes and their compatibility with the OTG.

Table 150. Compatibility of STM32 low power modes with the OTG

Mode	Description	USB compatibility
Run	MCU fully active	Required when USB not in suspend state.
Sleep	USB suspend exit causes the device to exit Sleep mode. Peripheral registers content is kept.	Available while USB is in suspend state.
Stop	USB suspend exit causes the device to exit Stop mode. Peripheral registers content is kept ⁽¹⁾ .	Available while USB is in suspend state.
Standby	Powered-down. The peripheral must be reinitialized after exiting Standby mode.	Not compatible with USB applications.

1. Within Stop mode there are different possible settings. Some restrictions may also exist, refer to [Section 4: Power control \(PWR\)](#) to understand which (if any) restrictions apply when using OTG.

The power consumption of the OTG PHY is controlled by three bits in the general core configuration register:

- PHY power down (GCCFG/PWRDWN)
It switches on/off the full-speed transceiver module of the PHY. It must be preliminarily set to allow any USB operation.
- A- V_{BUS} sensing enable (GCCFG/VBUSASEN)
It switches on/off the V_{BUS} comparators associated with A-device operations. It must be set when in A-device (USB host) mode and during HNP.
- B- V_{BUS} sensing enable (GCCFG/VBUSASEN)
It switches on/off the V_{BUS} comparators associated with B-device operations. It must be set when in B-device (USB peripheral) mode and during HNP.

Power reduction techniques are available while in the USB suspended state, when the USB session is not yet valid or the device is disconnected.

- Stop PHY clock (STPPCLK bit in OTG_FS_PCGCCTL)
When setting the stop PHY clock bit in the clock gating control register, most of the 48 MHz clock domain internal to the OTG full-speed core is switched off by clock gating. The dynamic power consumption due to the USB clock switching activity is cut even if the 48 MHz clock input is kept running by the application
Most of the transceiver is also disabled, and only the part in charge of detecting the asynchronous resume or remote wake-up event is kept alive.
- Gate HCLK (GATEHCLK bit in OTG_FS_PCGCCTL)
When setting the Gate HCLK bit in the clock gating control register, most of the system clock domain internal to the OTG_FS core is switched off by clock gating. Only the register read and write interface is kept alive. The dynamic power consumption due to the USB clock switching activity is cut even if the system clock is kept running by the application for other purposes.
- USB system stop
When the OTG_FS is in the USB suspended state, the application may decide to drastically reduce the overall power consumption by a complete shut down of all the clock sources in the system. USB System Stop is activated by first setting the Stop PHY clock bit and then configuring the system deep sleep mode in the power control system module (PWR).
The OTG_FS core automatically reactivates both system and USB clocks by asynchronous detection of remote wake-up (as an host) or resume (as a device) signaling on the USB.

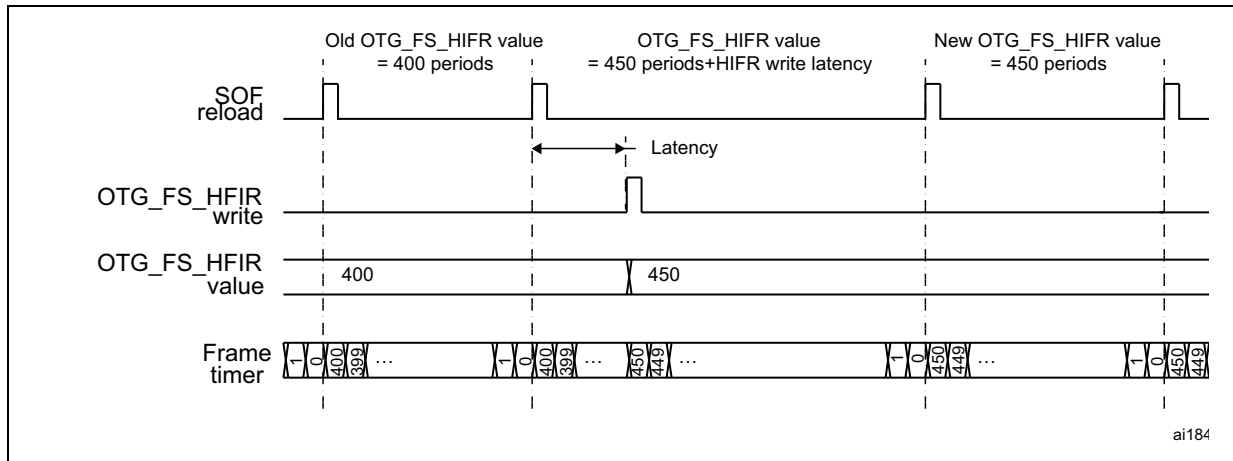
To save dynamic power, the USB data FIFO is clocked only when accessed by the OTG_FS core.

29.9 Dynamic update of the OTG_FS_HFIR register

The USB core embeds a dynamic trimming capability of SOF framing period in host mode allowing to synchronize an external device with the SOF frames.

When the OTG_FS_HFIR register is changed within a current SOF frame, the SOF period correction is applied in the next frame as described in [Figure 354](#).

Figure 354. Updating OTG_FS_HFIR dynamically

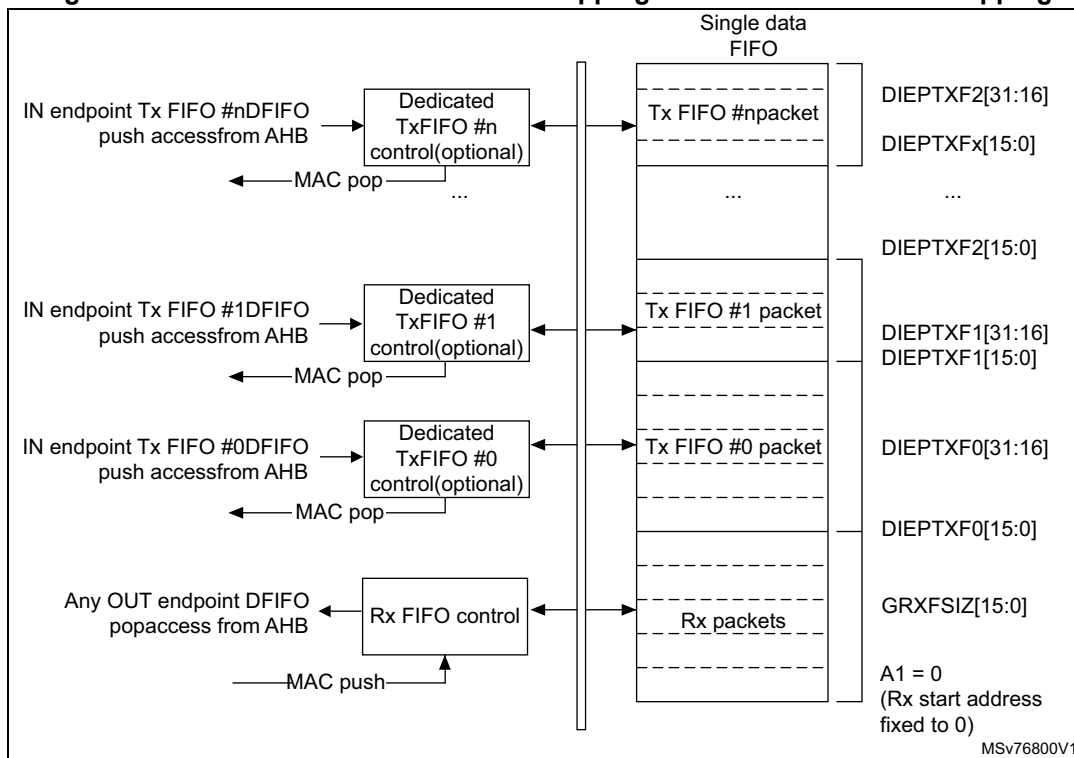


29.10 USB data FIFOs

The USB system features 1.25 Kbyte of dedicated RAM with a sophisticated FIFO control mechanism. The packet FIFO controller module in the OTG_FS core organizes RAM space into Tx-FIFOs into which the application pushes the data to be temporarily stored before the USB transmission, and into a single Rx FIFO where the data received from the USB are temporarily stored before retrieval (popped) by the application. The number of instructed FIFOs and how these are organized inside the RAM depends on the device's role. In peripheral mode an additional Tx-FIFO is instructed for each active IN endpoint. Any FIFO size is software configured to better meet the application requirements.

29.11 Peripheral FIFO architecture

Figure 355. Device-mode FIFO address mapping and AHB FIFO access mapping



29.11.1 Peripheral Rx FIFO

The OTG peripheral uses a single receive FIFO that receives the data directed to all OUT endpoints. Received packets are stacked back-to-back until free space is available in the Rx-FIFO. The status of the received packet (which contains the OUT endpoint destination number, the byte count, the data PID and the validity of the received data) is also stored by the core on top of the data payload. When no more space is available, host transactions are NACKed and an interrupt is received on the addressed endpoint. The size of the receive FIFO is configured in the receive FIFO Size register (GRXFSIZ).

The single receive FIFO architecture makes it more efficient for the USB peripheral to fill in the receive RAM buffer:

- All OUT endpoints share the same RAM buffer (shared FIFO)
- The OTG FS core can fill in the receive FIFO up to the limit for any host sequence of OUT tokens

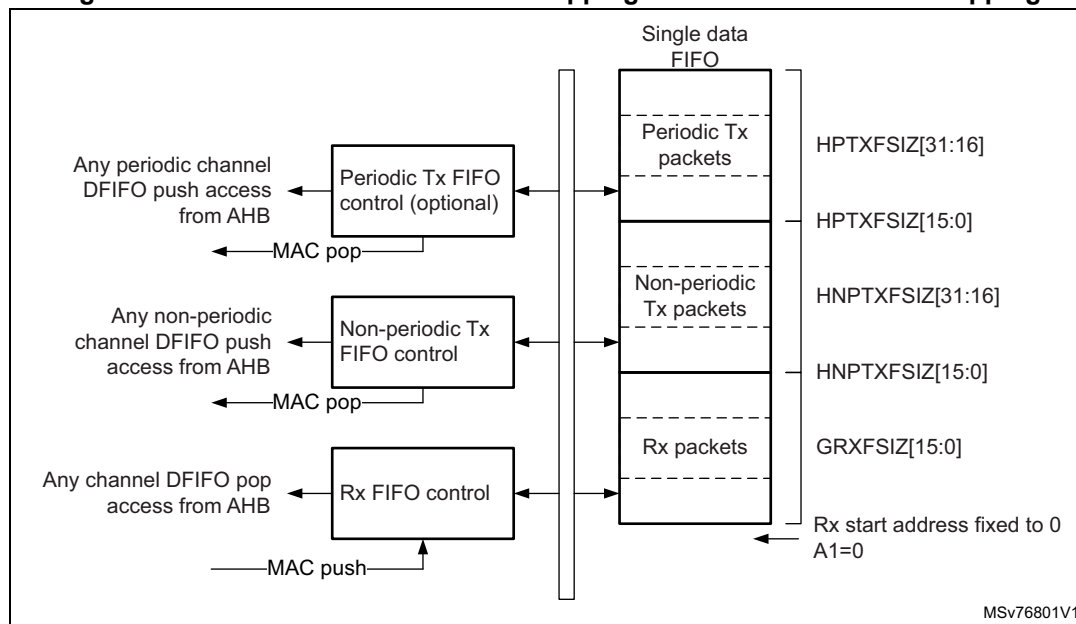
The application keeps receiving the Rx-FIFO non-empty interrupt (RXFLVL bit in OTG_FS_GINTSTS) as long as there is at least one packet available for download. It reads the packet information from the receive status read and pop register (GRXSTSP) and finally pops data off the receive FIFO by reading from the endpoint-related pop address.

29.11.2 Peripheral Tx FIFOs

The core has a dedicated FIFO for each IN endpoint. The application configures FIFO sizes by writing the non periodic transmit FIFO size register (OTG_FS_TX0FSIZ) for IN endpoint0 and the device IN endpoint transmit FIFOx registers (DIEPTXFx) for IN endpoint-x.

29.12 Host FIFO architecture

Figure 356. Host-mode FIFO address mapping and AHB FIFO access mapping



29.12.1 Host Rx FIFO

The host uses one receiver FIFO for all periodic and nonperiodic transactions. The FIFO is used as a receive buffer to hold the received data (payload of the received packet) from the USB until it is transferred to the system memory. Packets received from any remote IN endpoint are stacked back-to-back until free space is available. The status of each received packet with the host channel destination, byte count, data PID and validity of the received data are also stored into the FIFO. The size of the receive FIFO is configured in the receive FIFO size register (GRXFSIZ).

The single receive FIFO architecture makes it highly efficient for the USB host to fill in the receive data buffer:

- All IN configured host channels share the same RAM buffer (shared FIFO)
- The OTG FS core can fill in the receive FIFO up to the limit for any sequence of IN tokens driven by the host software

The application receives the Rx FIFO not-empty interrupt as long as there is at least one packet available for download. It reads the packet information from the receive status read and pop register and finally pops the data off the receive FIFO.

29.12.2 Host Tx FIFOs

The host uses one transmit FIFO for all non-periodic (control and bulk) OUT transactions and one transmit FIFO for all periodic (isochronous and interrupt) OUT transactions. FIFOs are used as transmit buffers to hold the data (payload of the transmit packet) to be transmitted over the USB. The size of the periodic (nonperiodic) Tx FIFO is configured in the host periodic (nonperiodic) transmit FIFO size (HPTXFSIZ/HNPTXFSIZ) register.

The two Tx FIFO implementation derives from the higher priority granted to the periodic type of traffic over the USB frame. At the beginning of each frame, the built-in host scheduler processes the periodic request queue first, followed by the nonperiodic request queue.

The two transmit FIFO architecture provides the USB host with separate optimization for periodic and nonperiodic transmit data buffer management:

- All host channels configured to support periodic (nonperiodic) transactions in the OUT direction share the same RAM buffer (shared FIFOs)
- The OTG FS core can fill in the periodic (nonperiodic) transmit FIFO up to the limit for any sequence of OUT tokens driven by the host software

The OTG_FS core issues the periodic Tx FIFO empty interrupt (PTXFE bit in OTG_FS_GINTSTS) as long as the periodic Tx-FIFO is half or completely empty, depending on the value of the periodic Tx-FIFO empty level bit in the AHB configuration register (PTXFELVL bit in OTG_FS_GAHBCFG). The application can push the transmission data in advance as long as free space is available in both the periodic Tx FIFO and the periodic request queue. The host periodic transmit FIFO and queue status register (HPTXSTS) can be read to know how much space is available in both.

OTG_FS core issues the non periodic Tx FIFO empty interrupt (NPTXFE bit in OTG_FS_GINTSTS) as long as the nonperiodic Tx FIFO is half or completely empty depending on the non periodic Tx FIFO empty level bit in the AHB configuration register (TXFELVL bit in OTG_FS_GAHBCFG). The application can push the transmission data as long as free space is available in both the nonperiodic Tx FIFO and nonperiodic request queue. The host nonperiodic transmit FIFO and queue status register (HNPTXSTS) can be read to know how much space is available in both.

29.13 FIFO RAM allocation

29.13.1 Device mode

Receive FIFO RAM allocation: the application should allocate RAM for SETUP Packets: 10 locations must be reserved in the receive FIFO to receive SETUP packets on control endpoint. The core does not use these locations, which are reserved for SETUP packets, to write any other data. One location is to be allocated for Global OUT NAK. Status information is written to the FIFO along with each received packet. Therefore, a minimum space of $(\text{Largest Packet Size} / 4) + 1$ must be allocated to receive packets. If multiple isochronous endpoints are enabled, then at least two $(\text{Largest Packet Size} / 4) + 1$ spaces must be allocated to receive back-to-back packets. Typically, two $(\text{Largest Packet Size} / 4) + 1$ spaces are recommended so that when the previous packet is being transferred to the CPU, the USB can receive the subsequent packet.

Along with the last packet for each endpoint, transfer complete status information is also pushed to the FIFO. Typically, one location for each OUT endpoint is recommended.

Transmit FIFO RAM allocation: the minimum RAM space required for each IN Endpoint Transmit FIFO is the maximum packet size for that particular IN endpoint.

Note: *More space allocated in the transmit IN Endpoint FIFO results in better performance on the USB.*

29.13.2 Host mode

Receive FIFO RAM allocation

Status information is written to the FIFO along with each received packet. Therefore, a minimum space of $(\text{Largest Packet Size} / 4) + 1$ must be allocated to receive packets. If multiple isochronous channels are enabled, then at least two $(\text{Largest Packet Size} / 4) + 1$ spaces must be allocated to receive back-to-back packets. Typically, two $(\text{Largest Packet Size} / 4) + 1$ spaces are recommended so that when the previous packet is being transferred to the CPU, the USB can receive the subsequent packet.

Along with the last packet in the host channel, transfer complete status information is also pushed to the FIFO. So one location must be allocated for this.

Transmit FIFO RAM allocation

The minimum amount of RAM required for the host Non-periodic Transmit FIFO is the largest maximum packet size among all supported non-periodic OUT channels.

Typically, two Largest Packet Sizes worth of space is recommended, so that when the current packet is under transfer to the USB, the CPU can get the next packet.

The minimum amount of RAM required for host periodic Transmit FIFO is the largest maximum packet size out of all the supported periodic OUT channels. If there is at least one Isochronous OUT endpoint, then the space must be at least two times the maximum packet size of that channel.

Note: *More space allocated in the Transmit Non-periodic FIFO results in better performance on the USB.*

29.14 USB system performance

Best USB and system performance is achieved owing to the large RAM buffers, the highly configurable FIFO sizes, the quick 32-bit FIFO access through AHB push/pop registers and, especially, the advanced FIFO control mechanism. Indeed, this mechanism allows the OTG_FS to fill in the available RAM space at best regardless of the current USB sequence. With these features:

- The application gains good margins to calibrate its intervention in order to optimize the CPU bandwidth usage:
 - It can accumulate large amounts of transmission data in advance compared to when they are effectively sent over the USB
 - It benefits of a large time margin to download data from the single receive FIFO
- The USB Core is able to maintain its full operating rate, that is to provide maximum full-speed bandwidth with a great margin of autonomy versus application intervention:
 - It has a large reserve of transmission data at its disposal to autonomously manage the sending of data over the USB

- It has a lot of empty space available in the receive buffer to autonomously fill it in with the data coming from the USB

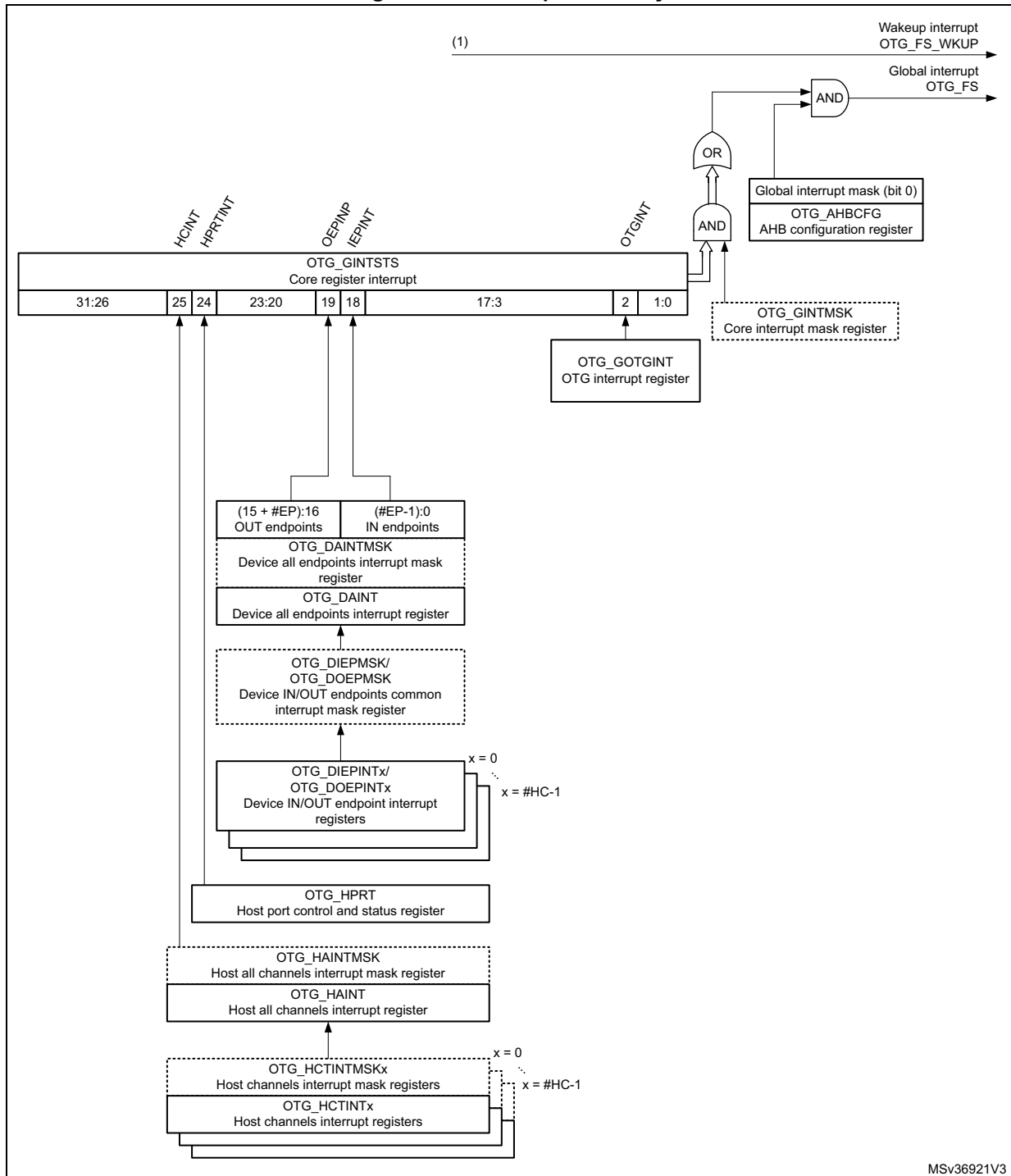
As the OTG_FS core is able to fill in the 1.25 Kbyte RAM buffer very efficiently, and as 1.25 Kbyte of transmit/receive data is more than enough to cover a full speed frame, the USB system is able to withstand the maximum full-speed data rate for up to one USB frame (1 ms) without any CPU intervention.

29.15 OTG_FS interrupts

When the OTG_FS controller is operating in one mode, either device or host, the application must not access registers from the other mode. If an illegal access occurs, a mode mismatch interrupt is generated and reflected in the Core interrupt register (MMIS bit in the OTG_FS_GINTSTS register). When the core switches from one mode to the other, the registers in the new mode of operation must be reprogrammed as they would be after a power-on reset.

Figure 357 shows the interrupt hierarchy.

Figure 357. Interrupt hierarchy



1. OTG_FS_WKUP become active (high state) when resume condition occurs during L1 SLEEP or L2 SUSPEND states.

29.16 OTG_FS control and status registers

By reading from and writing to the control and status registers (CSRs) through the AHB slave interface, the application controls the OTG_FS controller. These registers are 32 bits wide, and the addresses are 32-bit block aligned. The OTG_FS registers must be accessed by words (32 bits).

CSRs are classified as follows:

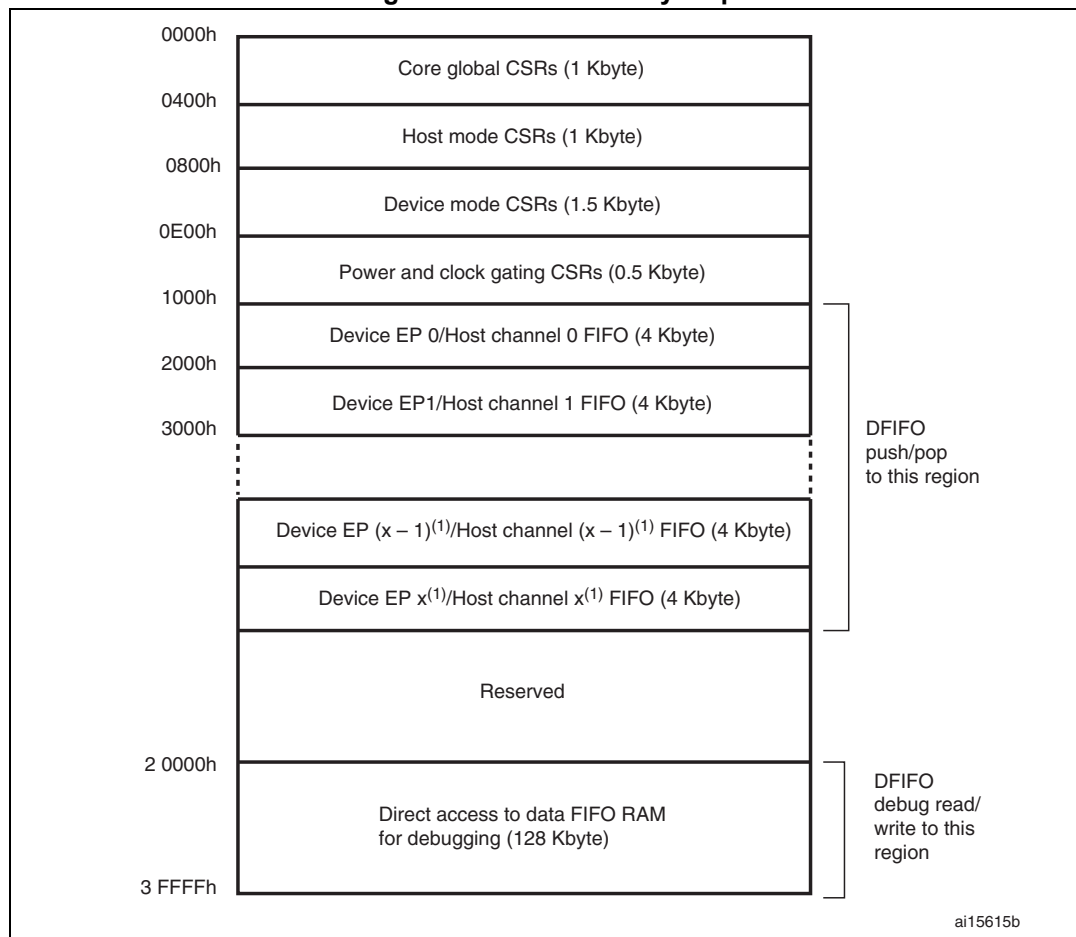
- Core global registers
- Host-mode registers
- Host global registers
- Host port CSRs
- Host channel-specific registers
- Device-mode registers
- Device global registers
- Device endpoint-specific registers
- Power and clock-gating registers
- Data FIFO (DFIFO) access registers

Only the Core global, Power and clock-gating, Data FIFO access, and host port control and status registers can be accessed in both host and device modes. When the OTG_FS controller is operating in one mode, either device or host, the application must not access registers from the other mode. If an illegal access occurs, a mode mismatch interrupt is generated and reflected in the Core interrupt register (MMIS bit in the OTG_FS_GINTSTS register). When the core switches from one mode to the other, the registers in the new mode of operation must be reprogrammed as they would be after a power-on reset.

29.16.1 CSR memory map

The host and device mode registers occupy different addresses. All registers are implemented in the AHB clock domain.

Figure 358. CSR memory map



1. x = 3 in device mode and x = 7 in host mode.

Global CSR map

These registers are available in both host and device modes.

Table 151. Core global control and status registers (CSRs)

Acronym	Address offset	Register name
OTG_FS_GOTGCTL	0x000	<i>OTG_FS control and status register (OTG_FS_GOTGCTL) on page 970</i>
OTG_FS_GOTGINT	0x004	<i>OTG_FS interrupt register (OTG_FS_GOTGINT) on page 971</i>
OTG_FS_GAHBCFG	0x008	<i>OTG_FS AHB configuration register (OTG_FS_GAHBCFG) on page 973</i>
OTG_FS_GUSBCFG	0x00C	<i>OTG_FS USB configuration register (OTG_FS_GUSBCFG) on page 974</i>
OTG_FS_GRSTCTL	0x010	<i>OTG_FS reset register (OTG_FS_GRSTCTL) on page 976</i>

Table 151. Core global control and status registers (CSRs) (continued)

Acronym	Address offset	Register name
OTG_FS_GINTSTS	0x014	<i>OTG_FS core interrupt register (OTG_FS_GINTSTS) on page 978</i>
OTG_FS_GINTMSK	0x018	<i>OTG_FS interrupt mask register (OTG_FS_GINTMSK) on page 982</i>
OTG_FS_GRXSTSR	0x01C	<i>OTG_FS Receive status debug read/OTG status read and pop registers (OTG_FS_GRXSTSR/OTG_FS_GRXSTSP) on page 985</i>
OTG_FS_GRXSTSP	0x020	
OTG_FS_GRXFSIZ	0x024	<i>OTG_FS Receive FIFO size register (OTG_FS_GRXFSIZ) on page 986</i>
OTG_FS_HNPTXFSIZ/ OTG_FS_DIEPTXF0 ⁽¹⁾	0x028	<i>OTG_FS Host non-periodic transmit FIFO size register (OTG_FS_HNPTXFSIZ)/Endpoint 0 Transmit FIFO size (OTG_FS_DIEPTXF0)</i>
OTG_FS_HNPTXSTS	0x02C	<i>OTG_FS non-periodic transmit FIFO/queue status register (OTG_FS_HNPTXSTS) on page 987</i>
OTG_FS_GCCFG	0x038	<i>OTG_FS general core configuration register (OTG_FS_GCCFG) on page 988</i>
OTG_FS_CID	0x03C	<i>OTG_FS core ID register (OTG_FS_CID) on page 989</i>
OTG_FS_HPTXFSIZ	0x100	<i>OTG_FS Host periodic transmit FIFO size register (OTG_FS_HPTXFSIZ) on page 990</i>
OTG_FS_DIEPTFXx	0x104 0x108 0x10C	<i>OTG_FS device IN endpoint transmit FIFO size register (OTG_FS_DIEPTFXx) (x = 1..3, where x is the FIFO_number) on page 990</i>

1. The general rule is to use OTG_FS_HNPTXFSIZ for host mode and OTG_FS_DIEPTXF0 for device mode.

Host-mode CSR map

These registers must be programmed every time the core changes to host mode.

Table 152. Host-mode control and status registers (CSRs)

Acronym	Offset address	Register name
OTG_FS_HCFG	0x400	<i>OTG_FS Host configuration register (OTG_FS_HCFG) on page 991</i>
OTG_FS_HFIR	0x404	<i>OTG_FS Host frame interval register (OTG_FS_HFIR) on page 991</i>
OTG_FS_HFNUM	0x408	<i>OTG_FS Host frame number/frame time remaining register (OTG_FS_HFNUM) on page 992</i>
OTG_FS_HPTXSTS	0x410	<i>OTG_FS Host periodic transmit FIFO/queue status register (OTG_FS_HPTXSTS) on page 992</i>
OTG_FS_HAINT	0x414	<i>OTG_FS Host all channels interrupt register (OTG_FS_HAINT) on page 993</i>
OTG_FS_HAINTMSK	0x418	<i>OTG_FS Host all channels interrupt mask register (OTG_FS_HAINTMSK) on page 994</i>

Table 152. Host-mode control and status registers (CSRs) (continued)

Acronym	Offset address	Register name
OTG_FS_HPRT	0x440	<i>OTG_FS Host port control and status register (OTG_FS_HPRT) on page 994</i>
OTG_FS_HCCHARx	0x500 0x520 ... 0x5E0	<i>OTG_FS Host channel-x characteristics register (OTG_FS_HCCHARx) (x = 0..7, where x = Channel_number) on page 997</i>
OTG_FS_HCINTx	0x508	<i>OTG_FS Host channel-x interrupt register (OTG_FS_HCINTx) (x = 0..7, where x = Channel_number) on page 998</i>
OTG_FS_HCINTMSKx	0x50C	<i>OTG_FS Host channel-x interrupt mask register (OTG_FS_HCINTMSKx) (x = 0..7, where x = Channel_number) on page 999</i>
OTG_FS_HCTSIZx	0x510	<i>OTG_FS Host channel-x transfer size register (OTG_FS_HCTSIZx) (x = 0..7, where x = Channel_number) on page 1000</i>

Device-mode CSR map

These registers must be programmed every time the core changes to device mode.

Table 153. Device-mode control and status registers

Acronym	Offset address	Register name
OTG_FS_DCFG	0x800	<i>OTG_FS device configuration register (OTG_FS_DCFG) on page 1001</i>
OTG_FS_DCTL	0x804	<i>OTG_FS device control register (OTG_FS_DCTL) on page 1002</i>
OTG_FS_DSTS	0x808	<i>OTG_FS device status register (OTG_FS_DSTS) on page 1003</i>
OTG_FS_DIEPMSK	0x810	<i>OTG_FS device IN endpoint common interrupt mask register (OTG_FS_DIEPMSK) on page 1004</i>
OTG_FS_DOEPMSK	0x814	<i>OTG_FS device OUT endpoint common interrupt mask register (OTG_FS_DOEPMSK) on page 1005</i>
OTG_FS_DAIN	0x818	<i>OTG_FS device all endpoints interrupt register (OTG_FS_DAIN) on page 1006</i>
OTG_FS_DAINMSK	0x81C	<i>OTG_FS all endpoints interrupt mask register (OTG_FS_DAINMSK) on page 1007</i>
OTG_FS_DVBUSDIS	0x828	<i>OTG_FS device V_{BUS} discharge time register (OTG_FS_DVBUSDIS) on page 1007</i>
OTG_FS_DVBUSPULSE	0x82C	<i>OTG_FS device V_{BUS} pulsing time register (OTG_FS_DVBUSPULSE) on page 1007</i>
OTG_FS_DIEPEMPMSK	0x834	<i>OTG_FS device IN endpoint FIFO empty interrupt mask register: (OTG_FS_DIEPEMPMSK) on page 1008</i>
OTG_FS_DIEPCTL0	0x900	<i>OTG_FS device control IN endpoint 0 control register (OTG_FS_DIEPCTL0) on page 1008</i>

Table 153. Device-mode control and status registers (continued)

Acronym	Offset address	Register name
OTG_FS_DIEPCTLx	0x920 0x940 0x960	OTG device endpoint x control register (OTG_FS_DIEPCTLx) (x = 1..3, where x = Endpoint_number) on page 1010
OTG_FS_DIEPINTx	0x908	OTG_FS device endpoint-x interrupt register (OTG_FS_DIEPINTx) (x = 0..3, where x = Endpoint_number) on page 1017
OTG_FS_DIEPTSIZ0	0x910	OTG_FS device IN endpoint 0 transfer size register (OTG_FS_DIEPTSIZ0) on page 1019
OTG_FS_DTXFSTSx	0x918	OTG_FS device IN endpoint transmit FIFO status register (OTG_FS_DTXFSTSx) (x = 0..3, where x = Endpoint_number) on page 1023
OTG_FS_DIEPTSIZx	0x930 0x950 0x970	OTG_FS device endpoint-x transfer size register (OTG_FS_DIEPTSIZx) (x = 1..3, where x = Endpoint_number) on page 1022
OTG_FS_DOEPTCTL0	0xB00	OTG_FS device control OUT endpoint 0 control register (OTG_FS_DOEPTCTL0) on page 1013
OTG_FS_DOEPTCTLx	0xB20 0xB40 0xB60	OTG device endpoint x control register (OTG_FS_DIEPCTLx) (x = 1..3, where x = Endpoint_number) on page 1010
OTG_FS_DOEPTINTx	0xB08	OTG_FS device endpoint-x interrupt register (OTG_FS_DOEPTINTx) (x = 0..3, where x = Endpoint_number) on page 1018
OTG_FS_DOEPTSIZ0	0xB10	OTG_FS device OUT endpoint 0 transfer size register (OTG_FS_DOEPTSIZ0) on page 1021
OTG_FS_DOEPTSIZx	0xB30 0xB50 0xB70	OTG_FS device OUT endpoint-x transfer size register (OTG_FS_DOEPTSIZx) (x = 1..3, where x = Endpoint_number) on page 1023

Data FIFO (DFIFO) access register map

These registers, available in both host and device modes, are used to read or write the FIFO space for a specific endpoint or a channel, in a given direction. If a host channel is of type IN, the FIFO can only be read on the channel. Similarly, if a host channel is of type OUT, the FIFO can only be written on the channel.

Table 154. Data FIFO (DFIFO) access register map

FIFO access register section	Address range	Access
Device IN Endpoint 0/Host OUT Channel 0: DFIFO Write Access Device OUT Endpoint 0/Host IN Channel 0: DFIFO Read Access	0x1000–0x1FFC	w r
Device IN Endpoint 1/Host OUT Channel 1: DFIFO Write Access Device OUT Endpoint 1/Host IN Channel 1: DFIFO Read Access	0x2000–0x2FFC	w r

Table 154. Data FIFO (DFIFO) access register map (continued)

FIFO access register section	Address range	Access
...
Device IN Endpoint x ⁽¹⁾ /Host OUT Channel x ⁽¹⁾ : DFIFO Write Access Device OUT Endpoint x ⁽¹⁾ /Host IN Channel x ⁽¹⁾ : DFIFO Read Access	0xX000–0xXFFC	w r

1. Where x is 3 in device mode and 7 in host mode.

Power and clock gating CSR map

There is a single register for power and clock gating. It is available in both host and device modes.

Table 155. Power and clock gating control and status registers

Register name	Acronym	Offset address: 0xE00–0xFFF
Power and clock gating control register	OTG_FS_PCGCCTL	0xE00-0xE04
Reserved	-	0xE05–0xFFFF

29.16.2 OTG_FS global registers

These registers are available in both host and device modes, and do not need to be reprogrammed when switching between these modes.

Bit values in the register descriptions are expressed in binary unless otherwise specified.

OTG_FS control and status register (OTG_FS_GOTGCTL)

Address offset: 0x000

Reset value: 0x0001 0000

The OTG_FS_GOTGCTL register controls the behavior and reflects the status of the OTG function of the core.

31	30	29	28	27	26	25	24	23	22	21	20	19	18	17	16	15	14	13	12	11	10	9	8	7	6	5	4	3	2	1	0
Reserved												BSVLD	ASVLD	DBCT	CIDSTS	Reserved				DHNPEN	HSHNPEN	HNPPO	HNGSCS	Reserved				SRQ	SRQSCS		
												r	r	r	r					rw	rw	rw	r					rw	r		

Bits 31:20 Reserved, must be kept at reset value.

Bit 19 **BSVLD**: B-session valid

Indicates the device mode transceiver status.

0: B-session is not valid.

1: B-session is valid.

In OTG mode, you can use this bit to determine if the device is connected or disconnected.

Note: Only accessible in device mode.

Bit 18 **ASVLD**: A-session valid

Indicates the host mode transceiver status.

0: A-session is not valid

1: A-session is valid

Note: Only accessible in host mode.

Bit 17 **DBCT**: Long/short debounce time

Indicates the debounce time of a detected connection.

0: Long debounce time, used for physical connections (100 ms + 2.5 μs)

1: Short debounce time, used for soft connections (2.5 μs)

Note: Only accessible in host mode.

Bit 16 **CIDSTS**: Connector ID status

Indicates the connector ID status on a connect event.

0: The OTG_FS controller is in A-device mode

1: The OTG_FS controller is in B-device mode

Note: Accessible in both device and host modes.

Bits 15:12 Reserved, must be kept at reset value.

Bit 11 **DHNPEN**: Device HNP enabled

The application sets this bit when it successfully receives a SetFeature.SetHNPEnable command from the connected USB host.

0: HNP is not enabled in the application

1: HNP is enabled in the application

Note: Only accessible in device mode.

Bit 10 **HSHNPEN**: host set HNP enable

The application sets this bit when it has successfully enabled HNP (using the SetFeature.SetHNPEnable command) on the connected device.

0: Host Set HNP is not enabled

1: Host Set HNP is enabled

Note: Only accessible in host mode.

Bit 9 **HNPRQ**: HNP request

The application sets this bit to initiate an HNP request to the connected USB host. The application can clear this bit by writing a 0 when the host negotiation success status change bit in the OTG_FS_GOTGINT register (HNSSCHG bit in OTG_FS_GOTGINT) is set. The core clears this bit when the HNSSCHG bit is cleared.

0: No HNP request

1: HNP request

Note: Only accessible in device mode.

Bit 8 **HNGSCS**: Host negotiation success

The core sets this bit when host negotiation is successful. The core clears this bit when the HNP Request (HNPRQ) bit in this register is set.

0: Host negotiation failure

1: Host negotiation success

Note: Only accessible in device mode.

Bits 7:2 Reserved, must be kept at reset value.

Bit 1 **SRQ**: Session request

The application sets this bit to initiate a session request on the USB. The application can clear this bit by writing a 0 when the host negotiation success status change bit in the OTG_FS_GOTGINT register (HNSSCHG bit in OTG_FS_GOTGINT) is set. The core clears this bit when the HNSSCHG bit is cleared.

If you use the USB 1.1 full-speed serial transceiver interface to initiate the session request, the application must wait until V_{BUS} discharges to 0.2 V, after the B-Session Valid bit in this register (BSVLD bit in OTG_FS_GOTGCTL) is cleared.

0: No session request

1: Session request

Note: Only accessible in device mode.

Bit 0 **SRQSCS**: Session request success

The core sets this bit when a session request initiation is successful.

0: Session request failure

1: Session request success

Note: Only accessible in device mode.

OTG_FS interrupt register (OTG_FS_GOTGINT)

Address offset: 0x04

Reset value: 0x0000 0000

The application reads this register whenever there is an OTG interrupt and clears the bits in this register to clear the OTG interrupt.

31	30	29	28	27	26	25	24	23	22	21	20	19	18	17	16	15	14	13	12	11	10	9	8	7	6	5	4	3	2	1	0		
Reserved												DBCONE	ADTOCHG	HNGDET	Reserved												HNSSCHG	SRSSCHG	Reserved			SEDET	Res.
												rc_w1	rc_w1	rc_w1													rc_w1	rc_w1				rc_w1	

Bits 31:20 Reserved, must be kept at reset value.

Bit 19 **DBCONE**: Debounce done

The core sets this bit when the debounce is completed after the device connect. The application can start driving USB reset after seeing this interrupt. This bit is only valid when the HNP Capable or SRP Capable bit is set in the OTG_FS_GUSBCFG register (HNPCAP bit or SRPCAP bit in OTG_FS_GUSBCFG, respectively).

Note: Only accessible in host mode.

Bit 18 **ADTOCHG**: A-device timeout change

The core sets this bit to indicate that the A-device has timed out while waiting for the B-device to connect.

Note: Accessible in both device and host modes.

Bit 17 **HNGDET**: Host negotiation detected

The core sets this bit when it detects a host negotiation request on the USB.

Note: Accessible in both device and host modes.

Bits 16:10 Reserved, must be kept at reset value.

Bit 9 **HNSSCHG**: Host negotiation success status change

The core sets this bit on the success or failure of a USB host negotiation request. The application must read the host negotiation success bit of the OTG_FS_GOTGCTL register (HNGSCS in OTG_FS_GOTGCTL) to check for success or failure.

Note: Accessible in both device and host modes.

Bits 7:3 Reserved, must be kept at reset value.

Bit 8 **SRSSCHG**: Session request success status change

The core sets this bit on the success or failure of a session request. The application must read the session request success bit in the OTG_FS_GOTGCTL register (SRQSCS bit in OTG_FS_GOTGCTL) to check for success or failure.

Note: Accessible in both device and host modes.

Bit 2 **SEDET**: Session end detected

The core sets this bit to indicate that the level of the voltage on V_{BUS} is no longer valid for a B-Peripheral session when V_{BUS} < 0.8 V.

Bits 1:0 Reserved, must be kept at reset value.

OTG_FS AHB configuration register (OTG_FS_GAHBCFG)

Address offset: 0x008

Reset value: 0x0000 0000

This register can be used to configure the core after power-on or a change in mode. This register mainly contains AHB system-related configuration parameters. Do not change this register after the initial programming. The application must program this register before starting any transactions on either the AHB or the USB.

31	30	29	28	27	26	25	24	23	22	21	20	19	18	17	16	15	14	13	12	11	10	9	8	7	6	5	4	3	2	1	0
Reserved																							PTXFELVL	TXFELVL	Reserved			GINTMSK			
																							rw	rw				rw			

Bits 31:9 Reserved, must be kept at reset value.

Bit 8 **PTXFELVL**: Periodic Tx FIFO empty level

Indicates when the periodic Tx FIFO empty interrupt bit in the OTG_FS_GINTSTS register (PTXFE bit in OTG_FS_GINTSTS) is triggered.

- 0: PTXFE (in OTG_FS_GINTSTS) interrupt indicates that the Periodic Tx FIFO is half empty
- 1: PTXFE (in OTG_FS_GINTSTS) interrupt indicates that the Periodic Tx FIFO is completely empty

Note: Only accessible in host mode.

Bit 7 **TXFELVL**: Tx FIFO empty level

In device mode, this bit indicates when IN endpoint Transmit FIFO empty interrupt (TXFE in OTG_FS_DIEPINTx) is triggered.

- 0: the TXFE (in OTG_FS_DIEPINTx) interrupt indicates that the IN Endpoint Tx FIFO is half empty
- 1: the TXFE (in OTG_FS_DIEPINTx) interrupt indicates that the IN Endpoint Tx FIFO is completely empty

In host mode, this bit indicates when the nonperiodic Tx FIFO empty interrupt (NPTXFE bit in OTG_FS_GINTSTS) is triggered:

- 0: the NPTXFE (in OTG_FS_GINTSTS) interrupt indicates that the nonperiodic Tx FIFO is half empty
- 1: the NPTXFE (in OTG_FS_GINTSTS) interrupt indicates that the nonperiodic Tx FIFO is completely empty

Bits 6:1 Reserved, must be kept at reset value.

Bit 0 **GINTMSK**: Global interrupt mask

The application uses this bit to mask or unmask the interrupt line assertion to itself. Irrespective of this bit's setting, the interrupt status registers are updated by the core.

- 0: Mask the interrupt assertion to the application.
- 1: Unmask the interrupt assertion to the application.

Note: Accessible in both device and host modes.

OTG_FS USB configuration register (OTG_FS_GUSBCFG)

Address offset: 0x00C

Reset value: 0x0000 1440

This register can be used to configure the core after power-on or a changing to host mode or device mode. It contains USB and USB-PHY related configuration parameters. The application must program this register before starting any transactions on either the AHB or the USB. Do not make changes to this register after the initial programming.

31	30	29	28	27	26	25	24	23	22	21	20	19	18	17	16	15	14	13	12	11	10	9	8	7	6	5	4	3	2	1	0
CTXPKT	FDMOD	FHMOD	Reserved														TRDT	HNPCA	SRPCAP	Res.	PHYSEL	Reserved			TOCAL						
rw	rw	rw															rw	rw	rw		r				rw						

Bit 31 **CTXPKT**: Corrupt Tx packet

This bit is for debug purposes only. Never set this bit to 1.

Note: Accessible in both device and host modes.

Bit 30 **FDMOD**: Force device mode

Writing a 1 to this bit forces the core to device mode irrespective of the OTG_FS_ID input pin.

0: Normal mode

1: Force device mode

After setting the force bit, the application must wait at least 25 ms before the change takes effect.

Note: Accessible in both device and host modes.

Bit 29 **FHMOD**: Force host mode

Writing a 1 to this bit forces the core to host mode irrespective of the OTG_FS_ID input pin.

0: Normal mode

1: Force host mode

After setting the force bit, the application must wait at least 25 ms before the change takes effect.

Note: Accessible in both device and host modes.

Bits 28:14 Reserved, must be kept at reset value.

Bits 13:10 **TRDT**: USB turnaround time

These bits allow setting the turnaround time in PHY clocks. They must be configured according to [Table 156: TRDT values](#), depending on the application AHB frequency. Higher TRDT values allow stretching the USB response time to IN tokens in order to compensate for longer AHB read access latency to the Data FIFO.

Note: Only accessible in device mode.

Bit 9 **HNPCAP**: HNP-capable

The application uses this bit to control the OTG_FS controller's HNP capabilities.

0: HNP capability is not enabled.

1: HNP capability is enabled.

Note: Accessible in both device and host modes.

Bit 8 **SRPCAP**: SRP-capable

The application uses this bit to control the OTG_FS controller's SRP capabilities. If the core operates as a non-SRP-capable B-device, it cannot request the connected A-device (host) to activate V_{BUS} and start a session.

0: SRP capability is not enabled.

1: SRP capability is enabled.

Note: Accessible in both device and host modes.

Bit 7 Reserved, must be kept at reset value.

Bit 6 **PHYSEL**: Full speed serial transceiver select

This bit is always 1 with read-only access.

Bits 5:3 Reserved, must be kept at reset value.

Bits 2:0 **TOCAL**: FS timeout calibration

The number of PHY clocks that the application programs in this field is added to the full-speed interpacket timeout duration in the core to account for any additional delays introduced by the PHY. This can be required, because the delay introduced by the PHY in generating the line state condition can vary from one PHY to another.

The USB standard timeout value for full-speed operation is 16 to 18 (inclusive) bit times. The application must program this field based on the speed of enumeration. The number of bit times added per PHY clock is 0.25 bit times.

Table 156. TRDT values

AHB frequency range (MHz)		TRDT minimum value
Min.	Max	
14.2	15	0xF
15	16	0xE
16	17.2	0xD
17.2	18.5	0xC
18.5	20	0xB
20	21.8	0xA
21.8	24	0x9
24	27.5	0x8
27.5	32	0x7
32	-	0x6

OTG_FS reset register (OTG_FS_GRSTCTL)

Address offset: 0x010

Reset value: 0x8000 0000

The application uses this register to reset various hardware features inside the core.

	31	30	29	28	27	26	25	24	23	22	21	20	19	18	17	16	15	14	13	12	11	10	9	8	7	6	5	4	3	2	1	0
AHBIDL	Reserved											TXFNUM				TXFFLSH	RXFFLSH	Reserved	FCRST	HSRST	CSRST											
r												rw				rs	rs		rs	rs	rs											

Bit 31 AHBIDL: AHB master idle

Indicates that the AHB master state machine is in the Idle condition.

Note: Accessible in both device and host modes.

Bits 30:11 Reserved, must be kept at reset value.

Bits 10:6 TXFNUM: TxFIFO number

This is the FIFO number that must be flushed using the TxFIFO Flush bit. This field must not be changed until the core clears the TxFIFO Flush bit.

00000:

- Non-periodic TxFIFO flush in host mode
- Tx FIFO 0 flush in device mode

00001:

- Periodic TxFIFO flush in host mode
- TXFIFO 1 flush in device mode

00010: TXFIFO 2 flush in device mode

...

00101: TXFIFO 15 flush in device mode

10000: Flush all the transmit FIFOs in device or host mode.

Note: Accessible in both device and host modes.

Bit 5 TXFFLSH: TxFIFO flush

This bit selectively flushes a single or all transmit FIFOs, but cannot do so if the core is in the midst of a transaction.

The application must write this bit only after checking that the core is neither writing to the TxFIFO nor reading from the TxFIFO. Verify using these registers:

Read—NAK Effective Interrupt ensures the core is not reading from the FIFO

Write—AHBIDL bit in OTG_FS_GRSTCTL ensures the core is not writing anything to the FIFO.

Note: Accessible in both device and host modes.

Bit 4 RXFFLSH: RxFIFO flush

The application can flush the entire RxFIFO using this bit, but must first ensure that the core is not in the middle of a transaction.

The application must only write to this bit after checking that the core is neither reading from the RxFIFO nor writing to the RxFIFO.

The application must wait until the bit is cleared before performing any other operations. This bit requires 8 clocks (slowest of PHY or AHB clock) to clear.

Note: Accessible in both device and host modes.

Bit 3 Reserved, must be kept at reset value.

Bit 2 FCRST: Host frame counter reset

The application writes this bit to reset the frame number counter inside the core. When the frame counter is reset, the subsequent SOF sent out by the core has a frame number of 0.

Note: Only accessible in host mode.

Bit 1 HSRST: HCLK soft reset

The application uses this bit to flush the control logic in the AHB Clock domain. Only AHB Clock Domain pipelines are reset.

FIFOs are not flushed with this bit.

All state machines in the AHB clock domain are reset to the Idle state after terminating the transactions on the AHB, following the protocol.

CSR control bits used by the AHB clock domain state machines are cleared.

To clear this interrupt, status mask bits that control the interrupt status and are generated by the AHB clock domain state machine are cleared.

Because interrupt status bits are not cleared, the application can get the status of any core events that occurred after it set this bit.

This is a self-clearing bit that the core clears after all necessary logic is reset in the core. This can take several clocks, depending on the core's current state.

Note: Accessible in both device and host modes.

Bit 0 CSRST: Core soft reset

Resets the HCLK and PCLK domains as follows:

Clears the interrupts and all the CSR register bits except for the following bits:

- RSTPDMODL bit in OTG_FS_PCGCCTL
- GAYEHCLK bit in OTG_FS_PCGCCTL
- PWRCLMP bit in OTG_FS_PCGCCTL
- STPPCLK bit in OTG_FS_PCGCCTL
- FSLSPCS bit in OTG_FS_HCFG
- DSPD bit in OTG_FS_DCFG

All module state machines (except for the AHB slave unit) are reset to the Idle state, and all the transmit FIFOs and the receive FIFO are flushed.

Any transactions on the AHB Master are terminated as soon as possible, after completing the last data phase of an AHB transfer. Any transactions on the USB are terminated immediately.

The application can write to this bit any time it wants to reset the core. This is a self-clearing bit and the core clears this bit after all the necessary logic is reset in the core, which can take several clocks, depending on the current state of the core. Once this bit has been cleared, the software must wait at least 3 PHY clocks before accessing the PHY domain (synchronization delay). The software must also check that bit 31 in this register is set to 1 (AHB Master is Idle) before starting any operation.

Typically, the software reset is used during software development and also when you dynamically change the PHY selection bits in the above listed USB configuration registers. When you change the PHY, the corresponding clock for the PHY is selected and used in the PHY domain. Once a new clock is selected, the PHY domain has to be reset for proper operation.

Note: Accessible in both device and host modes.

OTG_FS core interrupt register (OTG_FS_GINTSTS)

Address offset: 0x014

Reset value: 0x0400 0020

This register interrupts the application for system-level events in the current mode (device mode or host mode).

Some of the bits in this register are valid only in host mode, while others are valid in device mode only. This register also indicates the current mode. To clear the interrupt status bits of the rc_w1 type, the application must write 1 into the bit.

The FIFO status interrupts are read-only; once software reads from or writes to the FIFO while servicing these interrupts, FIFO interrupt conditions are cleared automatically.

The application must clear the OTG_FS_GINTSTS register at initialization before unmasking the interrupt bit to avoid any interrupts generated prior to initialization.

31	30	29	28	27	26	25	24	23	22	21	20	19	18	17	16	15	14	13	12	11	10	9	8	7	6	5	4	3	2	1	0				
WKUINT	SRQINT	DISCINT	CIDSCHG	Reserved	PTXFE	HCINT	HPRTINT	Reserved	IPXFR/INCOMP/ISOOUT	IISOXFR	OEPIINT	IEPIINT	Reserved	Reserved	Reserved	Reserved	Reserved	Reserved	Reserved	Reserved	Reserved	Reserved	Reserved	GONAKEFF	GINAKEFF	NPTXFE	RXFLVL	SOF	OTGINT	MMIS	CMOD				
rc_w1					r	r	r	Res.	rc_w1		r	r				rc_w1																			

- Bit 31 **WKUPIINT**: Resume/remote wake-up detected interrupt
 In device mode, this interrupt is asserted when a resume is detected on the USB. In host mode, this interrupt is asserted when a remote wake-up is detected on the USB.
Note: Accessible in both device and host modes.
- Bit 30 **SRQINT**: Session request/new session detected interrupt
 In host mode, this interrupt is asserted when a session request is detected from the device. In device mode, this interrupt is asserted when V_{BUS} is in the valid range for a B-peripheral device. Accessible in both device and host modes.
- Bit 29 **DISCINT**: Disconnect detected interrupt
 Asserted when a device disconnect is detected.
Note: Only accessible in host mode.
- Bit 28 **CIDSCHG**: Connector ID status change
 The core sets this bit when there is a change in connector ID status.
Note: Accessible in both device and host modes.
- Bit 27 Reserved, must be kept at reset value.
- Bit 26 **PTXFE**: Periodic TxFIFO empty
 Asserted when the periodic transmit FIFO is either half or completely empty and there is space for at least one entry to be written in the periodic request queue. The half or completely empty status is determined by the periodic TxFIFO empty level bit in the OTG_FS_GAHBCFG register (PTXFELVL bit in OTG_FS_GAHBCFG).
Note: Only accessible in host mode.



Bit 25 HCINT: Host channels interrupt

The core sets this bit to indicate that an interrupt is pending on one of the channels of the core (in host mode). The application must read the OTG_FS_HAINT register to determine the exact number of the channel on which the interrupt occurred, and then read the corresponding OTG_FS_HCINTx register to determine the exact cause of the interrupt. The application must clear the appropriate status bit in the OTG_FS_HCINTx register to clear this bit.

Note: Only accessible in host mode.

Bit 24 HPRTINT: Host port interrupt

The core sets this bit to indicate a change in port status of one of the OTG_FS controller ports in host mode. The application must read the OTG_FS_HPRT register to determine the exact event that caused this interrupt. The application must clear the appropriate status bit in the OTG_FS_HPRT register to clear this bit.

Note: Only accessible in host mode.

Bits 23:22 Reserved, must be kept at reset value.

Bit 21 IPXFR: Incomplete periodic transfer

In host mode, the core sets this interrupt bit when there are incomplete periodic transactions still pending, which are scheduled for the current frame.

INCOMPISOOUT: Incomplete isochronous OUT transfer

In device mode, the core sets this interrupt to indicate that there is at least one isochronous OUT endpoint on which the transfer is not completed in the current frame. This interrupt is asserted along with the End of periodic frame interrupt (EOPF) bit in this register.

Bit 20 IISOIXFR: Incomplete isochronous IN transfer

The core sets this interrupt to indicate that there is at least one isochronous IN endpoint on which the transfer is not completed in the current frame. This interrupt is asserted along with the End of periodic frame interrupt (EOPF) bit in this register.

Note: Only accessible in device mode.

Bit 19 OEPINT: OUT endpoint interrupt

The core sets this bit to indicate that an interrupt is pending on one of the OUT endpoints of the core (in device mode). The application must read the OTG_FS_DAIN register to determine the exact number of the OUT endpoint on which the interrupt occurred, and then read the corresponding OTG_FS_DOEPINTx register to determine the exact cause of the interrupt. The application must clear the appropriate status bit in the corresponding OTG_FS_DOEPINTx register to clear this bit.

Note: Only accessible in device mode.

Bit 18 IEPINT: IN endpoint interrupt

The core sets this bit to indicate that an interrupt is pending on one of the IN endpoints of the core (in device mode). The application must read the OTG_FS_DAIN register to determine the exact number of the IN endpoint on which the interrupt occurred, and then read the corresponding OTG_FS_DIEPINTx register to determine the exact cause of the interrupt. The application must clear the appropriate status bit in the corresponding OTG_FS_DIEPINTx register to clear this bit.

Note: Only accessible in device mode.

Bits 17:16 Reserved, must be kept at reset value.

Bit 15 EOPF: End of periodic frame interrupt

Indicates that the period specified in the periodic frame interval field of the OTG_FS_DCFG register (PFIVL bit in OTG_FS_DCFG) has been reached in the current frame.

Note: Only accessible in device mode.

- Bit 14 **ISOODRP**: Isochronous OUT packet dropped interrupt
The core sets this bit when it fails to write an isochronous OUT packet into the RxFIFO because the RxFIFO does not have enough space to accommodate a maximum size packet for the isochronous OUT endpoint.
Note: Only accessible in device mode.
- Bit 13 **ENUMDNE**: Enumeration done
The core sets this bit to indicate that speed enumeration is complete. The application must read the OTG_FS_DSTS register to obtain the enumerated speed.
Note: Only accessible in device mode.
- Bit 12 **USBRST**: USB reset
The core sets this bit to indicate that a reset is detected on the USB.
Note: Only accessible in device mode.
- Bit 11 **USBSUSP**: USB suspend
The core sets this bit to indicate that a suspend was detected on the USB. The core enters the Suspended state when there is no activity on the data lines for a period of 3 ms.
Note: Only accessible in device mode.
- Bit 10 **ESUSP**: Early suspend
The core sets this bit to indicate that an Idle state has been detected on the USB for 3 ms.
Note: Only accessible in device mode.
- Bits 9:8 Reserved, must be kept at reset value.
- Bit 7 **GONAKEFF**: Global OUT NAK effective
Indicates that the Set global OUT NAK bit in the OTG_FS_DCTL register (SGONAK bit in OTG_FS_DCTL), set by the application, has taken effect in the core. This bit can be cleared by writing the Clear global OUT NAK bit in the OTG_FS_DCTL register (CGONAK bit in OTG_FS_DCTL).
Note: Only accessible in device mode.
- Bit 6 **GINAKEFF**: Global IN non-periodic NAK effective
Indicates that the Set global non-periodic IN NAK bit in the OTG_FS_DCTL register (SGINAK bit in OTG_FS_DCTL), set by the application, has taken effect in the core. That is, the core has sampled the Global IN NAK bit set by the application. This bit can be cleared by clearing the Clear global non-periodic IN NAK bit in the OTG_FS_DCTL register (CGINAK bit in OTG_FS_DCTL).
This interrupt does not necessarily mean that a NAK handshake is sent out on the USB. The STALL bit takes precedence over the NAK bit.
Note: Only accessible in device mode.
- Bit 5 **NPTXFE**: Non-periodic TxFIFO empty
This interrupt is asserted when the non-periodic TxFIFO is either half or completely empty, and there is space for at least one entry to be written to the non-periodic transmit request queue. The half or completely empty status is determined by the non-periodic TxFIFO empty level bit in the OTG_FS_GAHBCFG register (TXFELVL bit in OTG_FS_GAHBCFG).
Note: Accessible in host mode only.
- Bit 4 **RXFLVL**: RxFIFO non-empty
Indicates that there is at least one packet pending to be read from the RxFIFO.
Note: Accessible in both host and device modes.

Bit 3 SOF: Start of frame

In host mode, the core sets this bit to indicate that an SOF (FS), or Keep-Alive (LS) is transmitted on the USB. The application must write a 1 to this bit to clear the interrupt.

In device mode, the core sets this bit to indicate that an SOF token has been received on the USB. The application can read the Device Status register to get the current frame number. This interrupt is seen only when the core is operating in FS.

Note: Accessible in both host and device modes.

Bit 2 OTGINT: OTG interrupt

The core sets this bit to indicate an OTG protocol event. The application must read the OTG Interrupt Status (OTG_FS_GOTGINT) register to determine the exact event that caused this interrupt. The application must clear the appropriate status bit in the OTG_FS_GOTGINT register to clear this bit.

Note: Accessible in both host and device modes.

Bit 1 MMIS: Mode mismatch interrupt

The core sets this bit when the application is trying to access:

- A host mode register, when the core is operating in device mode
- A device mode register, when the core is operating in host mode

The register access is completed on the AHB with an OKAY response, but is ignored by the core internally and does not affect the operation of the core.

Note: Accessible in both host and device modes.

Bit 0 CMOD: Current mode of operation

Indicates the current mode.

0: Device mode

1: Host mode

Note: Accessible in both host and device modes.

OTG_FS interrupt mask register (OTG_FS_GINTMSK)

Address offset: 0x018

Reset value: 0x0000 0000

This register works with the Core interrupt register to interrupt the application. When an interrupt bit is masked, the interrupt associated with that bit is not generated. However, the Core Interrupt (OTG_FS_GINTSTS) register bit corresponding to that interrupt is still set.

31	30	29	28	27	26	25	24	23	22	21	20	19	18	17	16	15	14	13	12	11	10	9	8	7	6	5	4	3	2	1	0
WUIM	SRQIM	DISCINT	CIDSCHGM	Reserved	PTXFEM	HCIM	PRTIM	Reserved	Reserved	IPXFRM/IISOXFRM	IISOXFRM	OEPINT	IEPINT	Reserved	EOPFM	ISOODRPM	ENUMDNEM	USBRST	USBSUSPM	ESUSPM	Reserved	Reserved	GONAKEFFM	GINAKEFFM	NPTXFEM	RXFLVLM	SOFM	OTGINT	MMISM	Reserved	
r/w	r/w	r/w	r/w		r/w	r/w	r/w			r/w	r/w	r/w	r/w		r/w	r/w	r/w	r/w	r/w	r/w			r/w	r/w	r/w	r/w	r/w	r/w	r/w	r/w	

Bit 31 **WUIM**: Resume/remote wake-up detected interrupt mask
 0: Masked interrupt
 1: Unmasked interrupt
Note: Accessible in both host and device modes.

Bit 30 **SRQIM**: Session request/new session detected interrupt mask
 0: Masked interrupt
 1: Unmasked interrupt
Note: Accessible in both host and device modes.

Bit 29 **DISCINT**: Disconnect detected interrupt mask
 0: Masked interrupt
 1: Unmasked interrupt
Note: Only accessible in device mode.

Bit 28 **CIDSCHGM**: Connector ID status change mask
 0: Masked interrupt
 1: Unmasked interrupt
Note: Accessible in both host and device modes.

Bit 27 Reserved, must be kept at reset value.

Bit 26 **PTXFEM**: Periodic Tx FIFO empty mask
 0: Masked interrupt
 1: Unmasked interrupt
Note: Only accessible in host mode.

Bit 25 **HCIM**: Host channels interrupt mask
 0: Masked interrupt
 1: Unmasked interrupt
Note: Only accessible in host mode.

Bit 24 **PRTIM**: Host port interrupt mask
 0: Masked interrupt
 1: Unmasked interrupt
Note: Only accessible in host mode.



- Bits 23:22 Reserved, must be kept at reset value.
- Bit 21 **IPXFRM**: Incomplete periodic transfer mask
0: Masked interrupt
1: Unmasked interrupt
Note: Only accessible in host mode.
- IISOXFRM**: Incomplete isochronous OUT transfer mask
0: Masked interrupt
1: Unmasked interrupt
Note: Only accessible in device mode.
- Bit 20 **IISOIXFRM**: Incomplete isochronous IN transfer mask
0: Masked interrupt
1: Unmasked interrupt
Note: Only accessible in device mode.
- Bit 19 **OEPIINT**: OUT endpoints interrupt mask
0: Masked interrupt
1: Unmasked interrupt
Note: Only accessible in device mode.
- Bit 18 **IEPIINT**: IN endpoints interrupt mask
0: Masked interrupt
1: Unmasked interrupt
Note: Only accessible in device mode.
- Bits 17:16 Reserved, must be kept at reset value.
- Bit 15 **EOPFM**: End of periodic frame interrupt mask
0: Masked interrupt
1: Unmasked interrupt
Note: Only accessible in device mode.
- Bit 14 **ISOODRPM**: Isochronous OUT packet dropped interrupt mask
0: Masked interrupt
1: Unmasked interrupt
Note: Only accessible in device mode.
- Bit 13 **ENUMDNEM**: Enumeration done mask
0: Masked interrupt
1: Unmasked interrupt
Note: Only accessible in device mode.
- Bit 12 **USBRST**: USB reset mask
0: Masked interrupt
1: Unmasked interrupt
Note: Only accessible in device mode.
- Bit 11 **USBSUSPM**: USB suspend mask
0: Masked interrupt
1: Unmasked interrupt
Note: Only accessible in device mode.

- Bit 10 **ESUSPM**: Early suspend mask
0: Masked interrupt
1: Unmasked interrupt
Note: Only accessible in device mode.
- Bits 9:8 Reserved, must be kept at reset value.
- Bit 7 **GONAKEFFM**: Global OUT NAK effective mask
0: Masked interrupt
1: Unmasked interrupt
Note: Only accessible in device mode.
- Bit 6 **GINAKEFFM**: Global non-periodic IN NAK effective mask
0: Masked interrupt
1: Unmasked interrupt
Note: Only accessible in device mode.
- Bit 5 **NPTXFEM**: Non-periodic TxFIFO empty mask
0: Masked interrupt
1: Unmasked interrupt
Note: Only accessible in Host mode.
- Bit 4 **RXFLVLM**: Receive FIFO non-empty mask
0: Masked interrupt
1: Unmasked interrupt
Note: Accessible in both device and host modes.
- Bit 3 **SOFM**: Start of frame mask
0: Masked interrupt
1: Unmasked interrupt
Note: Accessible in both device and host modes.
- Bit 2 **OTGINT**: OTG interrupt mask
0: Masked interrupt
1: Unmasked interrupt
Note: Accessible in both device and host modes.
- Bit 1 **MMISM**: Mode mismatch interrupt mask
0: Masked interrupt
1: Unmasked interrupt
Note: Accessible in both device and host modes.
- Bit 0 Reserved, must be kept at reset value.

OTG_FS Receive status debug read/OTG status read and pop registers (OTG_FS_GRXSTSR/OTG_FS_GRXSTSP)

Address offset for Read: 0x01C

Address offset for Pop: 0x020

Reset value: 0x0000 0000

A read to the Receive status debug read register returns the contents of the top of the Receive FIFO. A read to the Receive status read and pop register additionally pops the top data entry out of the RxFIFO.

The receive status contents must be interpreted differently in host and device modes. The core ignores the receive status pop/read when the receive FIFO is empty and returns a value of 0x0000 0000. The application must only pop the Receive Status FIFO when the Receive FIFO non-empty bit of the Core interrupt register (RXFLVL bit in OTG_FS_GINTSTS) is asserted.

Host mode

31	30	29	28	27	26	25	24	23	22	21	20	19	18	17	16	15	14	13	12	11	10	9	8	7	6	5	4	3	2	1	0
Reserved											PKTSTS		DPID		BCNT								CHNUM								
											r	r	r								r										

Bits 31:21 **Reserved**, must be kept at reset value.

Bits 20:17 **PKTSTS**: Packet status

- Indicates the status of the received packet
- 0010: IN data packet received
- 0011: IN transfer completed (triggers an interrupt)
- 0101: Data toggle error (triggers an interrupt)
- 0111: Channel halted (triggers an interrupt)
- Others: Reserved

Bits 16:15 **DPID**: Data PID

- Indicates the Data PID of the received packet
- 00: DATA0
- 10: DATA1
- 01: DATA2
- 11: MDATA

Bits 14:4 **BCNT**: Byte count

Indicates the byte count of the received IN data packet.

Bits 3:0 **CHNUM**: Channel number

Indicates the channel number to which the current received packet belongs.

Device mode

31	30	29	28	27	26	25	24	23	22	21	20	19	18	17	16	15	14	13	12	11	10	9	8	7	6	5	4	3	2	1	0
Reserved							FRMNUM	PKTSTS	DPID	BCNT							EPNUM														
							r	r	r	r							r														

Bits 31:25 Reserved, must be kept at reset value.

Bits 24:21 **FRMNUM**: Frame number

This is the least significant 4 bits of the frame number in which the packet is received on the USB. This field is supported only when isochronous OUT endpoints are supported.

Bits 20:17 **PKTSTS**: Packet status

- Indicates the status of the received packet
- 0001: Global OUT NAK (triggers an interrupt)
- 0010: OUT data packet received
- 0011: OUT transfer completed (triggers an interrupt)
- 0100: SETUP transaction completed (triggers an interrupt)
- 0110: SETUP data packet received
- Others: Reserved

Bits 16:15 **DPID**: Data PID

- Indicates the Data PID of the received OUT data packet
- 00: DATA0
- 10: DATA1
- 01: DATA2
- 11: MDATA

Bits 14:4 **BCNT**: Byte count

Indicates the byte count of the received data packet.

Bits 3:0 **EPNUM**: Endpoint number

Indicates the endpoint number to which the current received packet belongs.

OTG_FS Receive FIFO size register (OTG_FS_GRXFSIZ)

Address offset: 0x024

Reset value: 0x0000 0200

The application can program the RAM size that must be allocated to the Rx FIFO.

31	30	29	28	27	26	25	24	23	22	21	20	19	18	17	16	15	14	13	12	11	10	9	8	7	6	5	4	3	2	1	0
Reserved																RXFD															
																rw															

Bits 31:16 Reserved, must be kept at reset value.

Bits 15:0 **RXFD**: Rx FIFO depth

- This value is in terms of 32-bit words.
- Minimum value is 16
- Maximum value is 256
- The power-on reset value of this register is specified as the largest Rx data FIFO depth.



**OTG_FS Host non-periodic transmit FIFO size register
(OTG_FS_HNPTXFSIZ)/Endpoint 0 Transmit FIFO size (OTG_FS_DIEPTXF0)**

Address offset: 0x028

Reset value: 0x0000 0200

31	30	29	28	27	26	25	24	23	22	21	20	19	18	17	16	15	14	13	12	11	10	9	8	7	6	5	4	3	2	1	0
NPTXFD/TX0FD																NPTXFSA/TX0FSA															
rw																rw															

Host mode

Bits 31:16 **NPTXFD**: Non-periodic TxFIFO depth

This value is in terms of 32-bit words.
Minimum value is 16
Maximum value is 256

Bits 15:0 **NPTXFSA**: Non-periodic transmit RAM start address

This field contains the memory start address for non-periodic transmit FIFO RAM.

Device mode

Bits 31:16 **TX0FD**: Endpoint 0 TxFIFO depth

This value is in terms of 32-bit words.
Minimum value is 16
Maximum value is 256

Bits 15:0 **TX0FSA**: Endpoint 0 transmit RAM start address

This field contains the memory start address for the endpoint 0 transmit FIFO RAM.

**OTG_FS non-periodic transmit FIFO/queue status register
(OTG_FS_HNPTXSTS)**

Address offset: 0x02C

Reset value: 0x0008 0200

Note: In Device mode, this register is not valid.

This read-only register contains the free space information for the non-periodic TxFIFO and the non-periodic transmit request queue.

31	30	29	28	27	26	25	24	23	22	21	20	19	18	17	16	15	14	13	12	11	10	9	8	7	6	5	4	3	2	1	0
Reserved	NPTXQTOP								NPTQXSAV								NPTXFSAV														
	r								r								r														

Bit 31 Reserved, must be kept at reset value.

Bits 30:24 **NPTXQTOP**: Top of the non-periodic transmit request queue

Entry in the non-periodic Tx request queue that is currently being processed by the MAC.

Bits 30:27: Channel/endpoint number

Bits 26:25:

- 00: IN/OUT token
- 01: Zero-length transmit packet (device IN/host OUT)
- 11: Channel halt command

Bit 24: Terminate (last entry for selected channel/endpoint)

Bits 23:16 **NPTQXSAV**: Non-periodic transmit request queue space available

Indicates the amount of free space available in the non-periodic transmit request queue. This queue holds both IN and OUT requests in host mode. Device mode has only IN requests.

00: Non-periodic transmit request queue is full

01: 1 location available

10: 2 locations available

bxn: n locations available (0 ≤ n ≤ 8)

Others: Reserved

Bits 15:0 **NPTXFSAV**: Non-periodic Tx FIFO space available

Indicates the amount of free space available in the non-periodic Tx FIFO.

Values are in terms of 32-bit words.

00: Non-periodic Tx FIFO is full

01: 1 word available

10: 2 words available

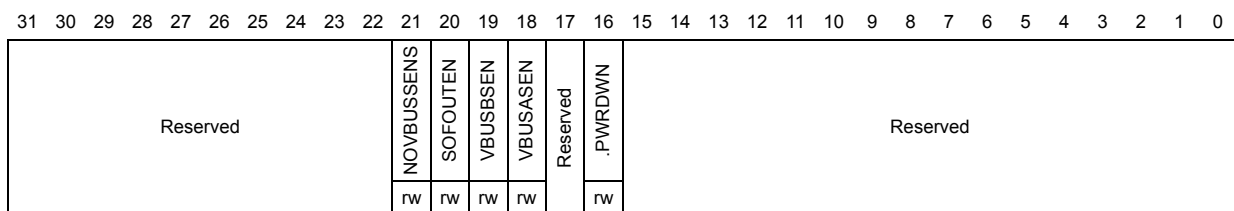
0xn: n words available (where 0 ≤ n ≤ 256)

Others: Reserved

OTG_FS general core configuration register (OTG_FS_GCCFG)

Address offset: 0x038

Reset value: 0x0000 XXXX



Bits 31:22 Reserved, must be kept at reset value.

Bit 21 **NOVBUSSENS**: V_{BUS} sensing disable option

When this bit is set, V_{BUS} is considered internally to be always at V_{BUS} valid level (5 V). This option removes the need for a dedicated V_{BUS} pad, and leave this pad free to be used for other purposes such as a shared functionality. V_{BUS} connection can be remapped on another general purpose input pad and monitored by software.

This option is only suitable for host-only or device-only applications.

0: V_{BUS} sensing available by hardware

1: V_{BUS} sensing not available by hardware.

Bit 20 **SOFOUTEN**: SOF output enable

0: SOF pulse not available on PAD (OTG_FS_SOF)

1: SOF pulse available on PAD (OTG_FS_SOF)

Bit 19 **VBUSBSEN**: Enable the V_{BUS} sensing “B” device

0: V_{BUS} sensing “B” disabled

1: V_{BUS} sensing “B” enabled

Bit 18 **VBUSASEN**: Enable the V_{BUS} sensing “A” device

0: V_{BUS} sensing “A” disabled

1: V_{BUS} sensing “A” enabled

Bit 17 Reserved, must be kept at reset value.

Bit 16 **PWRDWN**: Power down

Used to activate the transceiver in transmission/reception

0: Power down active

1: Power down deactivated (“Transceiver active”)

Bits 15:0 Reserved, must be kept at reset value.

OTG_FS core ID register (OTG_FS_CID)

Address offset: 0x03C

Reset value:0x0000 1200

This is a register containing the Product ID as reset value.

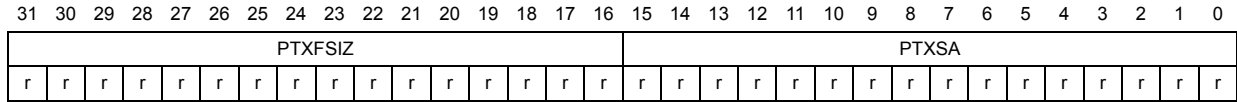
31	30	29	28	27	26	25	24	23	22	21	20	19	18	17	16	15	14	13	12	11	10	9	8	7	6	5	4	3	2	1	0	
PRODUCT_ID																																
rw	rw	rw	rw	rw	rw	rw	rw	rw	rw	rw	rw	rw	rw	rw	rw	rw	rw	rw	rw	rw	rw	rw	rw	rw	rw	rw	rw	rw	rw	rw	rw	rw

Bits 31:0 **PRODUCT_ID**: Product ID field
 Application-programmable ID field.

OTG_FS Host periodic transmit FIFO size register (OTG_FS_HPTXFSIZ)

Address offset: 0x100

Reset value: 0x0200 0400



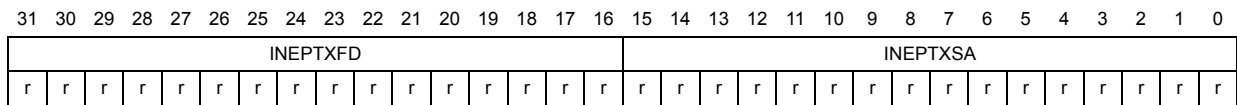
Bits 31:16 **PTXFD**: Host periodic TxFIFO depth
 This value is in terms of 32-bit words.
 Minimum value is 16

Bits 15:0 **PTXSA**: Host periodic TxFIFO start address
 The power-on reset value of this register is the sum of the largest Rx data FIFO depth and largest non-periodic Tx data FIFO depth.

**OTG_FS device IN endpoint transmit FIFO size register (OTG_FS_DIEPTXFx)
 (x = 1..3, where x is the FIFO_number)**

Address offset: 0x104 + 0x04 * (x -1)

Reset value: 0x0200 0200



Bits 31:16 **INEPTXFD**: IN endpoint TxFIFO depth
 This value is in terms of 32-bit words.
 Minimum value is 16
 The power-on reset value of this register is specified as the largest IN endpoint FIFO number depth.

Bits 15:0 **INEPTXSA**: IN endpoint FIFOx transmit RAM start address
 This field contains the memory start address for IN endpoint transmit FIFOx. The address must be aligned with a 32-bit memory location.

29.16.3 Host-mode registers

Bit values in the register descriptions are expressed in binary unless otherwise specified.

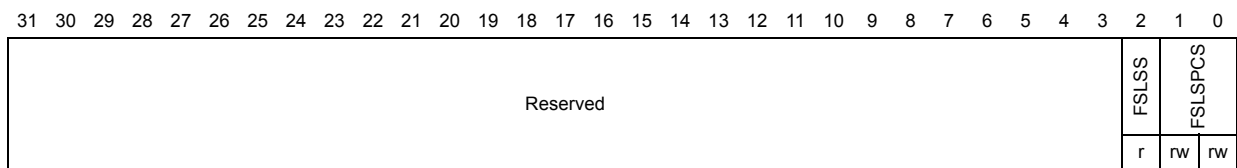
Host-mode registers affect the operation of the core in the host mode. Host mode registers must not be accessed in device mode, as the results are undefined. Host mode registers can be categorized as follows:

OTG_FS Host configuration register (OTG_FS_HCFG)

Address offset: 0x400

Reset value: 0x0000 0000

This register configures the core after power-on. Do not make changes to this register after initializing the host.



Bits 31:3 Reserved, must be kept at reset value.

Bit 2 FSLSS: FS- and LS-only support

The application uses this bit to control the core's enumeration speed. Using this bit, the application can make the core enumerate as an FS host, even if the connected device supports HS traffic. Do not make changes to this field after initial programming.

1: FS/LS-only, even if the connected device can support HS (read-only)

Bits 1:0 FSLSPCS: FS/LS PHY clock select

When the core is in FS host mode

01: PHY clock is running at 48 MHz

Others: Reserved

When the core is in LS host mode

00: Reserved

01: Select 48 MHz PHY clock frequency

10: Select 6 MHz PHY clock frequency

11: Reserved

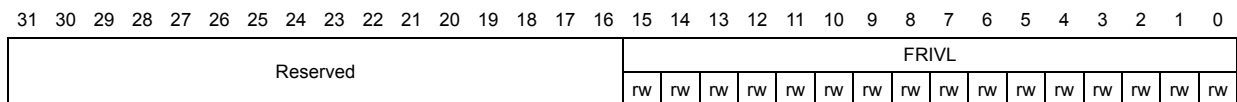
Note: The FSLSPCS must be set on a connection event according to the speed of the connected device (after changing this bit, a software reset must be performed).

OTG_FS Host frame interval register (OTG_FS_HFIR)

Address offset: 0x404

Reset value: 0x0000 EA60

This register stores the frame interval information for the current speed to which the OTG_FS controller has enumerated.



Bits 31:16 Reserved, must be kept at reset value.

Bits 15:0 **FRIVL**: Frame interval

The value that the application programs to this field specifies the interval between two consecutive SOFs (FS) or Keep-Alive tokens (LS). This field contains the number of PHY clocks that constitute the required frame interval. The application can write a value to this register only after the Port enable bit of the host port control and status register (PENA bit in OTG_FS_HPRT) has been set. If no value is programmed, the core calculates the value based on the PHY clock specified in the FS/LS PHY Clock Select field of the host configuration register (FSLSPCS in OTG_FS_HCFG). Do not change the value of this field after the initial configuration.

$$\text{– Frame interval} = 1 \text{ ms} \times (\text{FRIVL} - 1)$$

OTG_FS Host frame number/frame time remaining register (OTG_FS_HFNUM)

Address offset: 0x408

Reset value: 0x0000 3FFF

This register indicates the current frame number. It also indicates the time remaining (in terms of the number of PHY clocks) in the current frame.

31	30	29	28	27	26	25	24	23	22	21	20	19	18	17	16	15	14	13	12	11	10	9	8	7	6	5	4	3	2	1	0
FTREM																FRNUM															
r	r	r	r	r	r	r	r	r	r	r	r	r	r	r	r	r	r	r	r	r	r	r	r	r	r	r	r	r	r	r	r

Bits 31:16 **FTREM**: Frame time remaining

Indicates the amount of time remaining in the current frame, in terms of PHY clocks. This field decrements on each PHY clock. When it reaches zero, this field is reloaded with the value in the Frame interval register and a new SOF is transmitted on the USB.

Bits 15:0 **FRNUM**: Frame number

This field increments when a new SOF is transmitted on the USB, and is cleared to 0 when it reaches 0x3FFF.

OTG_FS_Host periodic transmit FIFO/queue status register (OTG_FS_HPTXSTS)

Address offset: 0x410

Reset value: 0x0008 0100

This read-only register contains the free space information for the periodic Tx FIFO and the periodic transmit request queue.

31	30	29	28	27	26	25	24	23	22	21	20	19	18	17	16	15	14	13	12	11	10	9	8	7	6	5	4	3	2	1	0
PTXQTOP								PTXQSAV								PTXFSAVL															
r	r	r	r	r	r	r	r	r	r	r	r	r	r	r	r	r	r	r	r	r	r	r	r	r	r	r	r	r	r	r	r



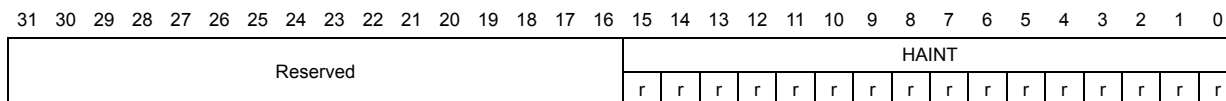
- Bits 31:24 **PTXQTOP**: Top of the periodic transmit request queue
 This indicates the entry in the periodic Tx request queue that is currently being processed by the MAC.
 This register is used for debugging.
 Bit 31: Odd/Even frame
 - 0: send in even frame
 - 1: send in odd frame
 Bits 30:27: Channel/endpoint number
 Bits 26:25: Type
 - 00: IN/OUT
 - 01: Zero-length packet
 - 11: Disable channel command
 Bit 24: Terminate (last entry for the selected channel/endpoint)
- Bits 23:16 **PTXQSAV**: Periodic transmit request queue space available
 Indicates the number of free locations available to be written in the periodic transmit request queue. This queue holds both IN and OUT requests.
 00: Periodic transmit request queue is full
 01: 1 location available
 10: 2 locations available
 bxn: n locations available ($0 \leq n \leq 8$)
 Others: Reserved
- Bits 15:0 **PTXFSAVL**: Periodic transmit data FIFO space available
 Indicates the number of free locations available to be written to in the periodic Tx FIFO.
 Values are in terms of 32-bit words
 0000: Periodic Tx FIFO is full
 0001: 1 word available
 0010: 2 words available
 bxn: n words available (where $0 \leq n \leq PTXFD$)
 Others: Reserved

OTG_FS Host all channels interrupt register (OTG_FS_HAINT)

Address offset: 0x414

Reset value: 0x0000 000

When a significant event occurs on a channel, the host all channels interrupt register interrupts the application using the host channels interrupt bit of the Core interrupt register (HCINT bit in OTG_FS_GINTSTS). This is shown in [Figure 357](#). There is one interrupt bit per channel, up to a maximum of 16 bits. Bits in this register are set and cleared when the application sets and clears bits in the corresponding host channel-x interrupt register.



Bits 31:16 Reserved, must be kept at reset value.

Bits 15:0 **HAINT**: Channel interrupts
 One bit per channel: Bit 0 for Channel 0, bit 15 for Channel 15



OTG_FS Host all channels interrupt mask register (OTG_FS_HAINTMSK)

Address offset: 0x418

Reset value: 0x0000 0000

The host all channel interrupt mask register works with the host all channel interrupt register to interrupt the application when an event occurs on a channel. There is one interrupt mask bit per channel, up to a maximum of 16 bits.

31	30	29	28	27	26	25	24	23	22	21	20	19	18	17	16	15	14	13	12	11	10	9	8	7	6	5	4	3	2	1	0														
Reserved																HAINTM																													
																rw	rw	rw	rw	rw	rw	rw	rw	rw	rw	rw	rw	rw	rw	rw	rw	rw	rw	rw	rw	rw	rw	rw	rw	rw	rw	rw	rw	rw	rw

Bits 31:16 Reserved, must be kept at reset value.

Bits 15:0 **HAINTM**: Channel interrupt mask

0: Masked interrupt

1: Unmasked interrupt

One bit per channel: Bit 0 for channel 0, bit 15 for channel 15

OTG_FS Host port control and status register (OTG_FS_HPRT)

Address offset: 0x440

Reset value: 0x0000 0000

This register is available only in host mode. Currently, the OTG host supports only one port.

A single register holds USB port-related information such as USB reset, enable, suspend, resume, connect status, and test mode for each port. It is shown in [Figure 357](#). The rc_w1 bits in this register can trigger an interrupt to the application through the host port interrupt bit of the core interrupt register (HPRTINT bit in OTG_FS_GINTSTS). On a Port Interrupt, the application must read this register and clear the bit that caused the interrupt. For the rc_w1 bits, the application must write a 1 to the bit to clear the interrupt.

31	30	29	28	27	26	25	24	23	22	21	20	19	18	17	16	15	14	13	12	11	10	9	8	7	6	5	4	3	2	1	0	
Reserved														PSPD		PTCTL				PPWR	PLSTS		Reserved	PRST	PSUSP	PRES	POCCHNG	POCA	PENCHNG	PENA	PCDET	PCSTS
														r	r	rw	rw	rw	rw	rw	r	r	Reserved	rw	rs	rw	rc_w1	r	rc_w1	rc_w0	rc_w1	r

Bits 31:19 Reserved, must be kept at reset value.

Bits 18:17 **PSPD**: Port speed

Indicates the speed of the device attached to this port.

01: Full speed

10: Low speed

11: Reserved



Bits 16:13 PTCTL: Port test control

The application writes a nonzero value to this field to put the port into a Test mode, and the corresponding pattern is signaled on the port.

- 0000: Test mode disabled
- 0001: Test_J mode
- 0010: Test_K mode
- 0011: Test_SE0_NAK mode
- 0100: Test_Packet mode
- 0101: Test_Force_Enable
- Others: Reserved

Bit 12 PPWR: Port power

The application uses this field to control power to this port, and the core clears this bit on an overcurrent condition.

- 0: Power off
- 1: Power on

Bits 11:10 PLSTS: Port line status

Indicates the current logic level USB data lines

- Bit 10: Logic level of OTG_FS_DP
- Bit 11: Logic level of OTG_FS_DM

Bit 9 Reserved, must be kept at reset value.**Bit 8 PRST:** Port reset

When the application sets this bit, a reset sequence is started on this port. The application must time the reset period and clear this bit after the reset sequence is complete.

- 0: Port not in reset
- 1: Port in reset

The application must leave this bit set for a minimum duration of at least 10 ms to start a reset on the port. The application can leave it set for another 10 ms in addition to the required minimum duration, before clearing the bit, even though there is no maximum limit set by the USB standard.

Bit 7 PSUSP: Port suspend

The application sets this bit to put this port in Suspend mode. The core only stops sending SOFs when this is set. To stop the PHY clock, the application must set the Port clock stop bit, which asserts the suspend input pin of the PHY.

The read value of this bit reflects the current suspend status of the port. This bit is cleared by the core after a remote wake-up signal is detected or the application sets the Port reset bit or Port resume bit in this register or the Resume/remote wake-up detected interrupt bit or Disconnect detected interrupt bit in the Core interrupt register (WKUINT or DISCINT in OTG_FS_GINTSTS, respectively).

- 0: Port not in Suspend mode
- 1: Port in Suspend mode

Bit 6 PRES: Port resume

The application sets this bit to drive resume signaling on the port. The core continues to drive the resume signal until the application clears this bit.

If the core detects a USB remote wake-up sequence, as indicated by the Port resume/remote wake-up detected interrupt bit of the Core interrupt register (WKUINT bit in OTG_FS_GINTSTS), the core starts driving resume signaling without application intervention and clears this bit when it detects a disconnect condition. The read value of this bit indicates whether the core is currently driving resume signaling.

- 0: No resume driven
- 1: Resume driven

- Bit 5 **POCCHNG**: Port overcurrent change
The core sets this bit when the status of the Port overcurrent active bit (bit 4) in this register changes.
- Bit 4 **POCA**: Port overcurrent active
Indicates the overcurrent condition of the port.
0: No overcurrent condition
1: Overcurrent condition
- Bit 3 **PENCHNG**: Port enable/disable change
The core sets this bit when the status of the Port enable bit 2 in this register changes.
- Bit 2 **PENA**: Port enable
A port is enabled only by the core after a reset sequence, and is disabled by an overcurrent condition, a disconnect condition, or by the application clearing this bit. The application cannot set this bit by a register write. It can only clear it to disable the port. This bit does not trigger any interrupt to the application.
0: Port disabled
1: Port enabled
- Bit 1 **PCDET**: Port connect detected
The core sets this bit when a device connection is detected to trigger an interrupt to the application using the host port interrupt bit in the Core interrupt register (HPRTINT bit in OTG_FS_GINTSTS). The application must write a 1 to this bit to clear the interrupt.
- Bit 0 **PCSTS**: Port connect status
0: No device is attached to the port
1: A device is attached to the port

**OTG_FS Host channel-x characteristics register (OTG_FS_HCCHARx)
(x = 0..7, where x = Channel_number)**

Address offset: 0x500 + 0x20 * x

Reset value: 0x0000 0000

31	30	29	28	27	26	25	24	23	22	21	20	19	18	17	16	15	14	13	12	11	10	9	8	7	6	5	4	3	2	1	0	
CHENA	CHDIS	ODDFRM	DAD						MCNT		EPTYP		LSDEV	Reserved	EPDIR	EPNUM				MPSIZ												
rs	rs	rw	rw	rw	rw	rw	rw	rw	rw	rw	rw	rw	rw	rw		rw	rw	rw	rw	rw	rw	rw	rw	rw	rw	rw	rw	rw	rw	rw	rw	rw

Bit 31 **CHENA**: Channel enable

This field is set by the application and cleared by the OTG host.

0: Channel disabled

1: Channel enabled

Bit 30 **CHDIS**: Channel disable

The application sets this bit to stop transmitting/receiving data on a channel, even before the transfer for that channel is complete. The application must wait for the Channel disabled interrupt before treating the channel as disabled.

Bit 29 **ODDFRM**: Odd frame

This field is set (reset) by the application to indicate that the OTG host must perform a transfer in an odd frame. This field is applicable for only periodic (isochronous and interrupt) transactions.

0: Even frame

1: Odd frame

Bits 28:22 **DAD**: Device address

This field selects the specific device serving as the data source or sink.

Bits 21:20 **MCNT**: Multicount

This field indicates to the host the number of transactions that must be executed per frame for this periodic endpoint. For non-periodic transfers, this field is not used

00: Reserved. This field yields undefined results

01: 1 transaction

10: 2 transactions per frame to be issued for this endpoint

11: 3 transactions per frame to be issued for this endpoint

Note: This field must be set to at least 01.

Bits 19:18 **EPTYP**: Endpoint type

Indicates the transfer type selected.

00: Control

01: Isochronous

10: Bulk

11: Interrupt

Bit 17 **LSDEV**: Low-speed device

This field is set by the application to indicate that this channel is communicating to a low-speed device.

Bit 16 Reserved, must be kept at reset value.

Bit 15 **EPDIR**: Endpoint direction
 Indicates whether the transaction is IN or OUT.
 0: OUT
 1: IN

Bits 14:11 **EPNUM**: Endpoint number
 Indicates the endpoint number on the device serving as the data source or sink.

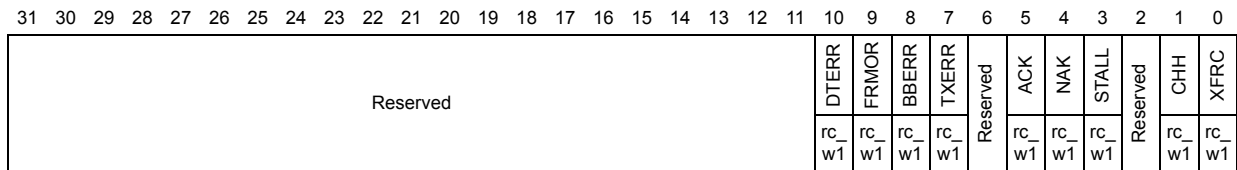
Bits 10:0 **MPSIZ**: Maximum packet size
 Indicates the maximum packet size of the associated endpoint.

OTG_FS Host channel-x interrupt register (OTG_FS_HCINTx) (x = 0..7, where x = Channel_number)

Address offset: 0x508 + 0x20 * x

Reset value: 0x0000 0000

This register indicates the status of a channel with respect to USB- and AHB-related events. It is shown in [Figure 357](#). The application must read this register when the host channels interrupt bit in the Core interrupt register (HCINT bit in OTG_FS_GINTSTS) is set. Before the application can read this register, it must first read the host all channels interrupt (OTG_FS_HAINT) register to get the exact channel number for the host channel-x interrupt register. The application must clear the appropriate bit in this register to clear the corresponding bits in the OTG_FS_HAINT and OTG_FS_GINTSTS registers.



Bits 31:11 Reserved, must be kept at reset value.

Bit 10 **DTERR**: Data toggle error

Bit 9 **FRMOR**: Frame overrun

Bit 8 **BBERR**: Babble error

Bit 7 **TXERR**: Transaction error
 Indicates one of the following errors occurred on the USB.
 CRC check failure
 Timeout
 Bit stuff error
 False EOP

Bit 6 Reserved, must be kept at reset value.

Bit 5 **ACK**: ACK response received/transmitted interrupt

Bit 4 **NAK**: NAK response received interrupt

Bit 3 **STALL**: STALL response received interrupt



Bit 2 Reserved, must be kept at reset value.

Bit 1 **CHH**: Channel halted

Indicates the transfer completed abnormally either because of any USB transaction error or in response to disable request by the application.

Bit 0 **XFRC**: Transfer completed

Transfer completed normally without any errors.

**OTG_FS Host channel-x interrupt mask register (OTG_FS_HCINTMSKx)
(x = 0..7, where x = Channel_number)**

Address offset: 0x50C + 0x20 * x

Reset value: 0x0000 0000

This register reflects the mask for each channel status described in the previous section.

31	30	29	28	27	26	25	24	23	22	21	20	19	18	17	16	15	14	13	12	11	10	9	8	7	6	5	4	3	2	1	0
Reserved																					DTERRM	FRMORM	BBERRM	TXERRM	Reserved	ACKM	NAKM	STALLM	Reserved	CHHM	XFRCM
																					rw	rw	rw	rw		rw	rw	rw		rw	rw

Bits 31:11 Reserved, must be kept at reset value.

Bit 10 **DTERRM**: Data toggle error mask

0: Masked interrupt
1: Unmasked interrupt

Bit 9 **FRMORM**: Frame overrun mask

0: Masked interrupt
1: Unmasked interrupt

Bit 8 **BBERRM**: Babble error mask

0: Masked interrupt
1: Unmasked interrupt

Bit 7 **TXERRM**: Transaction error mask

0: Masked interrupt
1: Unmasked interrupt

Bit 6 Reserved, must be kept at reset value.

Bit 5 **ACKM**: ACK response received/transmitted interrupt mask

0: Masked interrupt
1: Unmasked interrupt

Bit 4 **NAKM**: NAK response received interrupt mask

0: Masked interrupt
1: Unmasked interrupt

Bit 3 **STALLM**: STALL response received interrupt mask

0: Masked interrupt
1: Unmasked interrupt

Bit 2 Reserved, must be kept at reset value.

Bit 1 **CHHM**: Channel halted mask
 0: Masked interrupt
 1: Unmasked interrupt

Bit 0 **XFRM**: Transfer completed mask
 0: Masked interrupt
 1: Unmasked interrupt

OTG_FS Host channel-x transfer size register (OTG_FS_HCTSIZx) (x = 0..7, where x = Channel_number)

Address offset: 0x510 + 0x20 * x

Reset value: 0x0000 0000

31	30	29	28	27	26	25	24	23	22	21	20	19	18	17	16	15	14	13	12	11	10	9	8	7	6	5	4	3	2	1	0
Reserved	DPID			PKTCNT									XFRSIZ																		
	rW	rW	rW	rW	rW	rW	rW	rW	rW	rW	rW	rW	rW	rW	rW	rW	rW	rW	rW	rW	rW	rW	rW	rW	rW	rW	rW	rW	rW	rW	rW

Bit 31 Reserved, must be kept at reset value.

Bits 30:29 **DPID**: Data PID
 The application programs this field with the type of PID to use for the initial transaction. The host maintains this field for the rest of the transfer.
 00: DATA0
 01: DATA2
 10: DATA1
 11: MDATA (non-control)/SETUP (control)

Bits 28:19 **PKTCNT**: Packet count
 This field is programmed by the application with the expected number of packets to be transmitted (OUT) or received (IN).
 The host decrements this count on every successful transmission or reception of an OUT/IN packet. Once this count reaches zero, the application is interrupted to indicate normal completion.

Bits 18:0 **XFRSIZ**: Transfer size
 For an OUT, this field is the number of data bytes the host sends during the transfer.
 For an IN, this field is the buffer size that the application has reserved for the transfer. The application is expected to program this field as an integer multiple of the maximum packet size for IN transactions (periodic and non-periodic).

29.16.4 Device-mode registers

OTG_FS device configuration register (OTG_FS_DCFG)

Address offset: 0x800

Reset value: 0x0220 0000

This register configures the core in device mode after power-on or after certain control commands or enumeration. Do not make changes to this register after initial programming.

31	30	29	28	27	26	25	24	23	22	21	20	19	18	17	16	15	14	13	12	11	10	9	8	7	6	5	4	3	2	1	0																
Reserved																			PFIVL	DAD							Reserved	NZLSOHSK		DSPD																	
																			rw	rw	rw	rw	rw	rw	rw	rw	rw	rw	rw	rw	rw	rw	rw	rw	rw	rw	rw	rw	rw	rw	rw	rw	rw	rw	rw	rw	rw

Bits 31:13 **Reserved**, must be kept at reset value.

Bits 12:11 **PFIVL**: Periodic frame interval

Indicates the time within a frame at which the application must be notified using the end of periodic frame interrupt. This can be used to determine if all the isochronous traffic for that frame is complete.

- 00: 80% of the frame interval
- 01: 85% of the frame interval
- 10: 90% of the frame interval
- 11: 95% of the frame interval

Bits 10:4 **DAD**: Device address

The application must program this field after every SetAddress control command.

Bit 3 **Reserved**, must be kept at reset value.

Bit 2 **NZLSOHSK**: Non-zero-length status OUT handshake

The application can use this field to select the handshake the core sends on receiving a nonzero-length data packet during the OUT transaction of a control transfer's Status stage.

- 1: Send a STALL handshake on a nonzero-length status OUT transaction and do not send the received OUT packet to the application.
- 0: Send the received OUT packet to the application (zero-length or nonzero-length) and send a handshake based on the NAK and STALL bits for the endpoint in the Device endpoint control register.

Bits 1:0 **DSPD**: Device speed

Indicates the speed at which the application requires the core to enumerate, or the maximum speed the application can support. However, the actual bus speed is determined only after the chirp sequence is completed, and is based on the speed of the USB host to which the core is connected.

- 00: Reserved
- 01: Reserved
- 10: Reserved
- 11: Full speed (USB 1.1 transceiver clock is 48 MHz)

OTG_FS device control register (OTG_FS_DCTL)

Address offset: 0x804

Reset value: 0x0000 0000

31	30	29	28	27	26	25	24	23	22	21	20	19	18	17	16	15	14	13	12	11	10	9	8	7	6	5	4	3	2	1	0	
Reserved																					POPRGDNE	CGONAK	SGONAK	CGINAK	SGINAK	TCTL			GONSTS	GINSTS	SDIS	RWUSIG
																					r/w	w	w	w	w	r/w	r/w	r/w	r	r	r/w	r/w

Bits 31:12 Reserved, must be kept at reset value.

Bit 11 **POPRGDNE**: Power-on programming done

The application uses this bit to indicate that register programming is completed after a wake-up from power down mode.

Bit 10 **CGONAK**: Clear global OUT NAK

Writing 1 to this field clears the Global OUT NAK.

Bit 9 **SGONAK**: Set global OUT NAK

Writing 1 to this field sets the Global OUT NAK.

The application uses this bit to send a NAK handshake on all OUT endpoints.

The application must set this bit only after making sure that the Global OUT NAK

effective bit in the Core interrupt register (GONAKEFF bit in OTG_FS_GINTSTS) is cleared.

Bit 8 **CGINAK**: Clear global IN NAK

Writing 1 to this field clears the Global IN NAK.

Bit 7 **SGINAK**: Set global IN NAK

Writing 1 to this field sets the Global non-periodic IN NAK. The application uses this bit to send a NAK handshake on all non-periodic IN endpoints.

The application must set this bit only after making sure that the Global IN NAK effective bit in the Core interrupt register (GINAKEFF bit in OTG_FS_GINTSTS) is cleared.

Bits 6:4 **TCTL**: Test control

000: Test mode disabled

001: Test_J mode

010: Test_K mode

011: Test_SE0_NAK mode

100: Test_Packet mode

101: Test_Force_Enable

Others: Reserved

Bit 3 **GONSTS**: Global OUT NAK status

0: A handshake is sent based on the FIFO Status and the NAK and STALL bit settings.

1: No data is written to the Rx FIFO, irrespective of space availability. Sends a NAK handshake on all packets, except on SETUP transactions. All isochronous OUT packets are dropped.

Bit 2 **GINSTS**: Global IN NAK status

0: A handshake is sent out based on the data availability in the transmit FIFO.
 1: A NAK handshake is sent out on all non-periodic IN endpoints, irrespective of the data availability in the transmit FIFO.

Bit 1 **SDIS**: Soft disconnect

The application uses this bit to signal the USB OTG core to perform a soft disconnect. As long as this bit is set, the host does not see that the device is connected, and the device does not receive signals on the USB. The core stays in the disconnected state until the application clears this bit.
 0: Normal operation. When this bit is cleared after a soft disconnect, the core generates a device connect event to the USB host. When the device is reconnected, the USB host restarts device enumeration.
 1: The core generates a device disconnect event to the USB host.

Bit 0 **RWUSIG**: Remote wake-up signaling

When the application sets this bit, the core initiates remote signaling to wake up the USB host. The application must set this bit to instruct the core to exit the Suspend state. As specified in the USB 2.0 specification, the application must clear this bit 1 ms to 15 ms after setting it.

Table 157 contains the minimum duration (according to device state) for which the Soft disconnect (SDIS) bit must be set for the USB host to detect a device disconnect. To accommodate clock jitter, it is recommended that the application add some extra delay to the specified minimum duration.

Table 157. Minimum duration for soft disconnect

Operating speed	Device state	Minimum duration
Full speed	Suspended	1 ms + 2.5 μs
Full speed	Idle	2.5 μs
Full speed	Not Idle or Suspended (Performing transactions)	2.5 μs

OTG_FS device status register (OTG_FS_DSTS)

Address offset: 0x808

Reset value: 0x0000 0010

This register indicates the status of the core with respect to USB-related events. It must be read on interrupts from the device all interrupts (OTG_FS_DAINTE) register.

31	30	29	28	27	26	25	24	23	22	21	20	19	18	17	16	15	14	13	12	11	10	9	8	7	6	5	4	3	2	1	0			
Reserved										FNSOF										Reserved				EERR	ENUMSPD		SUSPSTS							
										r	r	r	r	r	r	r	r	r	r	r	r	r	r	r	r	r	r	r	r	r	r	r	r	r

Bits 31:22 Reserved, must be kept at reset value.

Bits 21:8 **FNSOF**: Frame number of the received SOF

Bits 7:4 Reserved, must be kept at reset value.



Bit 3 **EERR**: Erratic error

The core sets this bit to report any erratic errors.

Due to erratic errors, the OTG_FS controller goes into Suspended state and an interrupt is generated to the application with Early suspend bit of the OTG_FS_GINTSTS register (ESUSP bit in OTG_FS_GINTSTS). If the early suspend is asserted due to an erratic error, the application can only perform a soft disconnect recover.

Bits 2:1 **ENUMSPD**: Enumerated speed

Indicates the speed at which the OTG_FS controller has come up after speed detection through a chirp sequence.

01: Reserved

10: Reserved

11: Full speed (PHY clock is running at 48 MHz)

Others: reserved

Bit 0 **SUSPSTS**: Suspend status

In device mode, this bit is set as long as a Suspend condition is detected on the USB. The core enters the Suspended state when there is no activity on the USB data lines for a period of 3 ms. The core comes out of the suspend:

- When there is an activity on the USB data lines
- When the application writes to the Remote wake-up signaling bit in the OTG_FS_DCTL register (RWUSIG bit in OTG_FS_DCTL).

OTG_FS device IN endpoint common interrupt mask register (OTG_FS_DIEPMSK)

Address offset: 0x810

Reset value: 0x0000 0000

This register works with each of the OTG_FS_DIEPINTx registers for all endpoints to generate an interrupt per IN endpoint. The IN endpoint interrupt for a specific status in the OTG_FS_DIEPINTx register can be masked by writing to the corresponding bit in this register. Status bits are masked by default.

31	30	29	28	27	26	25	24	23	22	21	20	19	18	17	16	15	14	13	12	11	10	9	8	7	6	5	4	3	2	1	0
Reserved														NAKM	Reserved										INENEM	INENIM	ITTXFEMSK	TOM	Reserved	EPDM	XFRDM
														rw											rw	rw	rw	rw		rw	rw

Bits 31:14 Reserved, must be kept at reset value.

Bit 13 **NAKM**: NAK interrupt mask

0: Masked interrupt

1: Unmasked interrupt

Bits 12:7 Reserved, must be kept at reset value.

Bit 6 **INENEM**: IN endpoint NAK effective mask

0: Masked interrupt

1: Unmasked interrupt



- Bit 5 **INEPNMM**: IN token received with EP mismatch mask
 - 0: Masked interrupt
 - 1: Unmasked interrupt
- Bit 4 **ITTXFEMSK**: IN token received when TxFIFO empty mask
 - 0: Masked interrupt
 - 1: Unmasked interrupt
- Bit 3 **TOM**: Timeout condition mask (Non-isochronous endpoints)
 - 0: Masked interrupt
 - 1: Unmasked interrupt
- Bit 2 Reserved, must be kept at reset value.
- Bit 1 **EPDM**: Endpoint disabled interrupt mask
 - 0: Masked interrupt
 - 1: Unmasked interrupt
- Bit 0 **XFRM**: Transfer completed interrupt mask
 - 0: Masked interrupt
 - 1: Unmasked interrupt

OTG_FS device OUT endpoint common interrupt mask register (OTG_FS_DOEPMSK)

Address offset: 0x814

Reset value: 0x0000 0000

This register works with each of the OTG_FS_DOEPINTx registers for all endpoints to generate an interrupt per OUT endpoint. The OUT endpoint interrupt for a specific status in the OTG_FS_DOEPINTx register can be masked by writing into the corresponding bit in this register. Status bits are masked by default.

31	30	29	28	27	26	25	24	23	22	21	20	19	18	17	16	15	14	13	12	11	10	9	8	7	6	5	4	3	2	1	0
Reserved														NAK	BERRM	Reserved				OUTPKTERRM	Reserved		STSPHSRXM	OTEPDM	STUPM	Reserved		EPDM	XFRM		
														rw	rw					rw			rw	rw	rw			rw	rw		

Bits 31:14 Reserved, must be kept at reset value.

- Bit 13 **NAKMSK**: NAK interrupt mask
 - 0: Masked interrupt
 - 1: Unmasked interrupt

- Bit 12 **BERRM**: Babble error interrupt mask
 - 0: Masked interrupt
 - 1: Unmasked interrupt

Bits 11:9 Reserved, must be kept at reset value.

- Bit 8 **OUTPKTERRM**: Out packet error mask
 - 0: Masked interrupt
 - 1: Unmasked interrupt



Bits 7:6 Reserved, must be kept at reset value.

Bit 5 **STSPHSRXM**: Status phase received for control write mask
 0: Masked interrupt
 1: Unmasked interrupt

Bit 4 **OEPDM**: OUT token received when endpoint disabled mask
 Applies to control OUT endpoints only.
 0: Masked interrupt
 1: Unmasked interrupt

Bit 3 **STUPM**: SETUP phase done mask
 Applies to control endpoints only.
 0: Masked interrupt
 1: Unmasked interrupt

Bit 2 Reserved, must be kept at reset value.

Bit 1 **EPDM**: Endpoint disabled interrupt mask
 0: Masked interrupt
 1: Unmasked interrupt

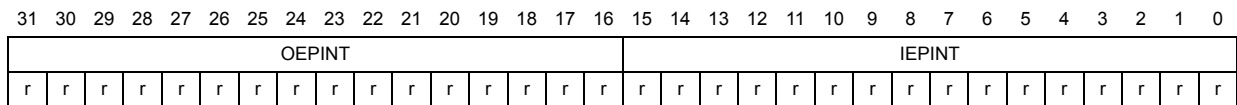
Bit 0 **XFRM**: Transfer completed interrupt mask
 0: Masked interrupt
 1: Unmasked interrupt

OTG_FS device all endpoints interrupt register (OTG_FS_DAIN)

Address offset: 0x818

Reset value: 0x0000 0000

When a significant event occurs on an endpoint, a OTG_FS_DAIN register interrupts the application using the Device OUT endpoints interrupt bit or Device IN endpoints interrupt bit of the OTG_FS_GINTSTS register (OEPINT or IEPINT in OTG_FS_GINTSTS, respectively). There is one interrupt bit per endpoint, up to a maximum of 16 bits for OUT endpoints and 16 bits for IN endpoints. For a bidirectional endpoint, the corresponding IN and OUT interrupt bits are used. Bits in this register are set and cleared when the application sets and clears bits in the corresponding Device Endpoint-x interrupt register (OTG_FS_DIEPINTx/OTG_FS_DOEPINTx).



Bits 31:16 **OEPINT**: OUT endpoint interrupt bits
 One bit per OUT endpoint:
 Bit 16 for OUT endpoint 0, bit 19 for OUT endpoint 3.

Bits 15:0 **IEPINT**: IN endpoint interrupt bits
 One bit per IN endpoint:
 Bit 0 for IN endpoint 0, bit 3 for endpoint 3.



OTG_FS all endpoints interrupt mask register (OTG_FS_DAINMSK)

Address offset: 0x81C

Reset value: 0x0000 0000

The OTG_FS_DAINMSK register works with the Device endpoint interrupt register to interrupt the application when an event occurs on a device endpoint. However, the OTG_FS_DAIN register bit corresponding to that interrupt is still set.

31	30	29	28	27	26	25	24	23	22	21	20	19	18	17	16	15	14	13	12	11	10	9	8	7	6	5	4	3	2	1	0
OEPM																IEPM															
r/w	r/w	r/w	r/w	r/w	r/w	r/w	r/w	r/w	r/w	r/w	r/w	r/w	r/w	r/w	r/w	r/w	r/w	r/w	r/w	r/w	r/w	r/w	r/w	r/w	r/w	r/w	r/w	r/w	r/w	r/w	r/w

Bits 31:16 **OEPM**: OUT EP interrupt mask bits
 One per OUT endpoint:
 Bit 16 for OUT EP 0, bit 19 for OUT EP 3
 0: Masked interrupt
 1: Unmasked interrupt

Bits 15:0 **IEPM**: IN EP interrupt mask bits
 One bit per IN endpoint:
 Bit 0 for IN EP 0, bit 3 for IN EP 3
 0: Masked interrupt
 1: Unmasked interrupt

OTG_FS device V_{BUS} discharge time register (OTG_FS_DVBUSDIS)

Address offset: 0x0828

Reset value: 0x0000 17D7

This register specifies the V_{BUS} discharge time after V_{BUS} pulsing during SRP.

31	30	29	28	27	26	25	24	23	22	21	20	19	18	17	16	15	14	13	12	11	10	9	8	7	6	5	4	3	2	1	0														
Reserved																VBUSDT																													
																r/w	r/w	r/w	r/w	r/w	r/w	r/w	r/w	r/w	r/w	r/w	r/w	r/w	r/w	r/w	r/w	r/w	r/w	r/w	r/w	r/w	r/w	r/w	r/w	r/w	r/w	r/w	r/w	r/w	r/w

Bits 31:16 Reserved, must be kept at reset value.

Bits 15:0 **VBUSDT**: Device V_{BUS} discharge time
 Specifies the V_{BUS} discharge time after V_{BUS} pulsing during SRP. This value equals:
 V_{BUS} discharge time in PHY clocks / 1 024
 Depending on your V_{BUS} load, this value may need adjusting.

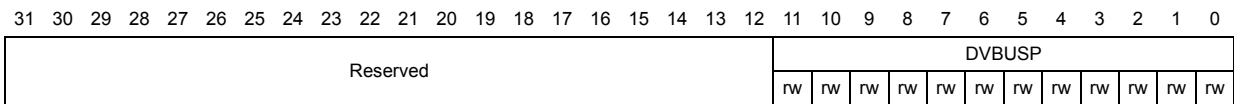
OTG_FS device V_{BUS} pulsing time register (OTG_FS_DVBUSPULSE)

Address offset: 0x082C

Reset value: 0x0000 05B8

This register specifies the V_{BUS} pulsing time during SRP.





Bits 31:12 Reserved, must be kept at reset value.

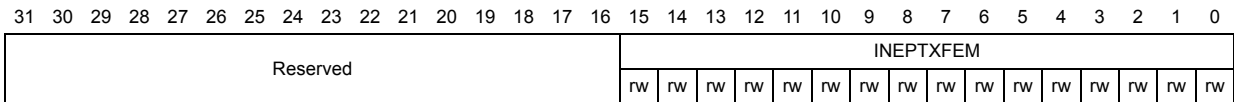
Bits 11:0 **DVBUSP**: Device V_{BUS} pulsing time
 Specifies the V_{BUS} pulsing time during SRP. This value equals:
 V_{BUS} pulsing time in PHY clocks / 1 024

OTG_FS device IN endpoint FIFO empty interrupt mask register: (OTG_FS_DIEPEMPMSK)

Address offset: 0x834

Reset value: 0x0000 0000

This register is used to control the IN endpoint FIFO empty interrupt generation (TXFE_OTG_FS_DIEPINTx).



Bits 31:16 Reserved, must be kept at reset value.

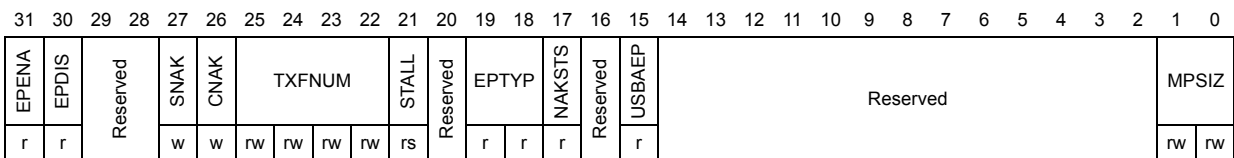
Bits 15:0 **INEPTXFEM**: IN EP Tx FIFO empty interrupt mask bits
 These bits act as mask bits for OTG_FS_DIEPINTx.
 TXFE interrupt one bit per IN endpoint:
 Bit 0 for IN endpoint 0, bit 3 for IN endpoint 3
 0: Masked interrupt
 1: Unmasked interrupt

OTG_FS device control IN endpoint 0 control register (OTG_FS_DIEPCTL0)

Address offset: 0x900

Reset value: 0x0000 0000

This section describes the OTG_FS_DIEPCTL0 register. Nonzero control endpoints use registers for endpoints 1–3.



- Bit 31 **EPENA**: Endpoint enable
The application sets this bit to start transmitting data on the endpoint 0.
The core clears this bit before setting any of the following interrupts on this endpoint:
- Endpoint disabled
 - Transfer completed
- Bit 30 **EPDIS**: Endpoint disable
The application sets this bit to stop transmitting data on an endpoint, even before the transfer for that endpoint is complete. The application must wait for the Endpoint disabled interrupt before treating the endpoint as disabled. The core clears this bit before setting the Endpoint disabled interrupt. The application must set this bit only if Endpoint enable is already set for this endpoint.
- Bits 29:28 Reserved, must be kept at reset value.
- Bit 27 **SNAK**: Set NAK
A write to this bit sets the NAK bit for the endpoint.
Using this bit, the application can control the transmission of NAK handshakes on an endpoint. The core can also set this bit for an endpoint after a SETUP packet is received on that endpoint.
- Bit 26 **CNAK**: Clear NAK
A write to this bit clears the NAK bit for the endpoint.
- Bits 25:22 **TXFNUM**: TxFIFO number
This value is set to the FIFO number that is assigned to IN endpoint 0.
- Bit 21 **STALL**: STALL handshake
The application can only set this bit, and the core clears it when a SETUP token is received for this endpoint. If a NAK bit, a Global IN NAK or Global OUT NAK is set along with this bit, the STALL bit takes priority.
- Bit 20 Reserved, must be kept at reset value.
- Bits 19:18 **EPTYP**: Endpoint type
Hardcoded to '00' for control.
- Bit 17 **NAKSTS**: NAK status
Indicates the following:
0: The core is transmitting non-NAK handshakes based on the FIFO status
1: The core is transmitting NAK handshakes on this endpoint.
When this bit is set, either by the application or core, the core stops transmitting data, even if there are data available in the TxFIFO. Irrespective of this bit's setting, the core always responds to SETUP data packets with an ACK handshake.
- Bit 16 Reserved, must be kept at reset value.

Bit 15 **USBAEP**: USB active endpoint

This bit is always set to 1, indicating that control endpoint 0 is always active in all configurations and interfaces.

Bits 14:2 Reserved, must be kept at reset value.

Bits 1:0 **MPSIZ**: Maximum packet size

The application must program this field with the maximum packet size for the current logical endpoint.

- 00: 64 bytes
- 01: 32 bytes
- 10: 16 bytes
- 11: 8 bytes

OTG device endpoint x control register (OTG_FS_DIEPCTLx) (x = 1..3, where x = Endpoint_number)

Address offset: 0x900 + 0x20 * x

Reset value: 0x0000 0000

The application uses this register to control the behavior of each logical endpoint other than endpoint 0.

31	30	29	28	27	26	25	24	23	22	21	20	19	18	17	16	15	14	13	12	11	10	9	8	7	6	5	4	3	2	1	0
EPENA	EPDIS	SODDFRM	SD0PID/SEVNFRM	SNAK	CNAK	TXFNUM				STALL	Reserved	EPTYP	NAKSTS	EONUM/DPID	USBAEP	Reserved					MPSIZ										
rs	rs	w	w	w	w	rw	rw	rw	rw	rw		rw	rw	r	r	rw						rw	rw	rw	rw	rw	rw	rw	rw	rw	rw

Bit 31 **EPENA**: Endpoint enable

The application sets this bit to start transmitting data on an endpoint.

The core clears this bit before setting any of the following interrupts on this endpoint:

- SETUP phase done
- Endpoint disabled
- Transfer completed

Bit 30 **EPDIS**: Endpoint disable

The application sets this bit to stop transmitting/receiving data on an endpoint, even before the transfer for that endpoint is complete. The application must wait for the Endpoint disabled interrupt before treating the endpoint as disabled. The core clears this bit before setting the Endpoint disabled interrupt. The application must set this bit only if Endpoint enable is already set for this endpoint.

Bit 29 **SODDFRM**: Set odd frame

Applies to isochronous IN and OUT endpoints only.

Writing to this field sets the Even/Odd frame (EONUM) field to odd frame.

- Bit 28 **SD0PID**: Set DATA0 PID
Applies to interrupt/bulk IN endpoints only.
Writing to this field sets the endpoint data PID (DPID) field in this register to DATA0.
- SEVNFRM**: Set even frame
Applies to isochronous IN endpoints only.
Writing to this field sets the Even/Odd frame (EONUM) field to even frame.
- Bit 27 **SNAK**: Set NAK
A write to this bit sets the NAK bit for the endpoint.
Using this bit, the application can control the transmission of NAK handshakes on an endpoint. The core can also set this bit for OUT endpoints on a Transfer completed interrupt, or after a SETUP is received on the endpoint.
- Bit 26 **CNAK**: Clear NAK
A write to this bit clears the NAK bit for the endpoint.
- Bits 25:22 **TXFNUM**: TxFIFO number
These bits specify the FIFO number associated with this endpoint. Each active IN endpoint must be programmed to a separate FIFO number.
This field is valid only for IN endpoints.
- Bit 21 **STALL**: STALL handshake
Applies to non-control, non-isochronous IN endpoints only (access type is rw).
The application sets this bit to stall all tokens from the USB host to this endpoint. If a NAK bit, Global IN NAK, or Global OUT NAK is set along with this bit, the STALL bit takes priority.
Only the application can clear this bit, never the core.
- Bit 20 Reserved, must be kept at reset value.
- Bits 19:18 **EPTYP**: Endpoint type
This is the transfer type supported by this logical endpoint.
00: Control
01: Isochronous
10: Bulk
11: Interrupt
- Bit 17 **NAKSTS**: NAK status
It indicates the following:
0: The core is transmitting non-NAK handshakes based on the FIFO status.
1: The core is transmitting NAK handshakes on this endpoint.
When either the application or the core sets this bit:
For non-isochronous IN endpoints: The core stops transmitting any data on an IN endpoint, even if there are data available in the TxFIFO.
For isochronous IN endpoints: The core sends out a zero-length data packet, even if there are data available in the TxFIFO.
Irrespective of this bit's setting, the core always responds to SETUP data packets with an ACK handshake.

Bit 16 **EONUM**: Even/odd frame

Applies to isochronous IN endpoints only.

Indicates the frame number in which the core transmits/receives isochronous data for this endpoint. The application must program the even/odd frame number in which it intends to transmit/receive isochronous data for this endpoint using the SEVNFRM and SODDFRM fields in this register.

0: Even frame

1: Odd frame

DPID: Endpoint data PID

Applies to interrupt/bulk IN endpoints only.

Contains the PID of the packet to be received or transmitted on this endpoint. The application must program the PID of the first packet to be received or transmitted on this endpoint, after the endpoint is activated. The application uses the SD0PID register field to program either DATA0 or DATA1 PID.

0: DATA0

1: DATA1

Bit 15 **USBAEP**: USB active endpoint

Indicates whether this endpoint is active in the current configuration and interface. The core clears this bit for all endpoints (other than EP 0) after detecting a USB reset. After receiving the SetConfiguration and SetInterface commands, the application must program endpoint registers accordingly and set this bit.

Bits 14:11 Reserved, must be kept at reset value.

Bits 10:0 **MPSIZ**: Maximum packet size

The application must program this field with the maximum packet size for the current logical endpoint. This value is in bytes.

OTG_FS device control OUT endpoint 0 control register (OTG_FS_DOEPCTL0)

Address offset: 0xB00

Reset value: 0x0000 8000

This section describes the OTG_FS_DOEPCTL0 register. Nonzero control endpoints use registers for endpoints 1–3.

31	30	29	28	27	26	25	24	23	22	21	20	19	18	17	16	15	14	13	12	11	10	9	8	7	6	5	4	3	2	1	0	
EPENA	EPDIS	Reserved		SNAK	CNAK	Reserved					STALL	SNPM	EPTYP		NAKSTS	Reserved	USBAEP	Reserved										MPSIZ				
w	r			w	w					rs	rw	r	r	r		r															r	r

Bit 31 **EPENA**: Endpoint enable
 The application sets this bit to start transmitting data on endpoint 0.
 The core clears this bit before setting any of the following interrupts on this endpoint:

- SETUP phase done
- Endpoint disabled
- Transfer completed

Bit 30 **EPDIS**: Endpoint disable
 The application cannot disable control OUT endpoint 0.

Bits 29:28 Reserved, must be kept at reset value.

Bit 27 **SNAK**: Set NAK
 A write to this bit sets the NAK bit for the endpoint.
 Using this bit, the application can control the transmission of NAK handshakes on an endpoint. The core can also set this bit on a Transfer completed interrupt, or after a SETUP is received on the endpoint.

Bit 26 **CNAK**: Clear NAK
 A write to this bit clears the NAK bit for the endpoint.

Bits 25:22 Reserved, must be kept at reset value.

Bit 21 **STALL**: STALL handshake
 The application can only set this bit, and the core clears it, when a SETUP token is received for this endpoint. If a NAK bit or Global OUT NAK is set along with this bit, the STALL bit takes priority. Irrespective of this bit's setting, the core always responds to SETUP data packets with an ACK handshake.

Bit 20 **SNPM**: Snoop mode
 This bit configures the endpoint to Snoop mode. In Snoop mode, the core does not check the correctness of OUT packets before transferring them to application memory.

Bits 19:18 **EPTYP**: Endpoint type
 Hardcoded to 2'b00 for control.



Bit 17 **NAKSTS**: NAK status

Indicates the following:

0: The core is transmitting non-NAK handshakes based on the FIFO status.

1: The core is transmitting NAK handshakes on this endpoint.

When either the application or the core sets this bit, the core stops receiving data, even if there is space in the RxFIFO to accommodate the incoming packet. Irrespective of this bit's setting, the core always responds to SETUP data packets with an ACK handshake.

Bit 16 Reserved, must be kept at reset value.

Bit 15 **USBAEP**: USB active endpoint

This bit is always set to 1, indicating that a control endpoint 0 is always active in all configurations and interfaces.

Bits 14:2 Reserved, must be kept at reset value.

Bits 1:0 **MPSIZ**: Maximum packet size

The maximum packet size for control OUT endpoint 0 is the same as what is programmed in control IN endpoint 0.

00: 64 bytes

01: 32 bytes

10: 16 bytes

11: 8 bytes

OTG_FS device endpoint-x control register (OTG_FS_DOEPCCTLx) (x = 1..3, where x = Endpoint_number)

Address offset for OUT endpoints: 0xB00 + 0x20 * x

Reset value: 0x0000 0000

The application uses this register to control the behavior of each logical endpoint other than endpoint 0.

31	30	29	28	27	26	25	24	23	22	21	20	19	18	17	16	15	14	13	12	11	10	9	8	7	6	5	4	3	2	1	0		
EPENA	EPDIS	SODDFRM/SD1PID	SD0PID/SEVNFRM	SNAK	CNAK	Reserved					STALL	SNPM	EPTYP		NAKSTS	EONUM/DPID	USBAEP	Reserved					MPSIZ										
rs	rs	w	w	w	w						rw	rw	rw	rw	r	r	rw						rw	rw	rw	rw	rw	rw	rw	rw	rw	rw	rw

Bit 31 **EPENA**: Endpoint enable

Applies to IN and OUT endpoints.

The application sets this bit to start transmitting data on an endpoint.

The core clears this bit before setting any of the following interrupts on this endpoint:

- SETUP phase done
- Endpoint disabled
- Transfer completed

- Bit 30 **EPDIS**: Endpoint disable
The application sets this bit to stop transmitting/receiving data on an endpoint, even before the transfer for that endpoint is complete. The application must wait for the Endpoint disabled interrupt before treating the endpoint as disabled. The core clears this bit before setting the Endpoint disabled interrupt. The application must set this bit only if Endpoint enable is already set for this endpoint.
- Bit 29 **SD1PID**: Set DATA1 PID
Applies to interrupt/bulk IN and OUT endpoints only. Writing to this field sets the endpoint data PID (DPID) field in this register to DATA1.
SODDFRM: Set odd frame
Applies to isochronous IN and OUT endpoints only. Writing to this field sets the Even/Odd frame (EONUM) field to odd frame.
- Bit 28 **SD0PID**: Set DATA0 PID
Applies to interrupt/bulk OUT endpoints only.
Writing to this field sets the endpoint data PID (DPID) field in this register to DATA0.
SEVNFRM: Set even frame
Applies to isochronous OUT endpoints only.
Writing to this field sets the Even/Odd frame (EONUM) field to even frame.
- Bit 27 **SNAK**: Set NAK
A write to this bit sets the NAK bit for the endpoint.
Using this bit, the application can control the transmission of NAK handshakes on an endpoint. The core can also set this bit for OUT endpoints on a Transfer Completed interrupt, or after a SETUP is received on the endpoint.
- Bit 26 **CNAK**: Clear NAK
A write to this bit clears the NAK bit for the endpoint.
- Bits 25:22 Reserved, must be kept at reset value.
- Bit 21 **STALL**: STALL handshake
Applies to non-control, non-isochronous OUT endpoints only (access type is rw).
The application sets this bit to stall all tokens from the USB host to this endpoint. If a NAK bit, Global IN NAK, or Global OUT NAK is set along with this bit, the STALL bit takes priority. Only the application can clear this bit, never the core.
- Bit 20 **SNPM**: Snoop mode
This bit configures the endpoint to Snoop mode. In Snoop mode, the core does not check the correctness of OUT packets before transferring them to application memory.
- Bits 19:18 **EPTYP**: Endpoint type
This is the transfer type supported by this logical endpoint.
00: Control
01: Isochronous
10: Bulk
11: Interrupt

Bit 17 **NAKSTS**: NAK status

Indicates the following:

0: The core is transmitting non-NAK handshakes based on the FIFO status.

1: The core is transmitting NAK handshakes on this endpoint.

When either the application or the core sets this bit:

The core stops receiving any data on an OUT endpoint, even if there is space in the RxFIFO to accommodate the incoming packet.

Irrespective of this bit's setting, the core always responds to SETUP data packets with an ACK handshake.

Bit 16 **EONUM**: Even/odd frame

Applies to isochronous IN and OUT endpoints only.

Indicates the frame number in which the core transmits/receives isochronous data for this endpoint. The application must program the even/odd frame number in which it intends to transmit/receive isochronous data for this endpoint using the SEVNFRM and SODDFRM fields in this register.

0: Even frame

1: Odd frame

DPID: Endpoint data PID

Applies to interrupt/bulk OUT endpoints only.

Contains the PID of the packet to be received or transmitted on this endpoint. The application must program the PID of the first packet to be received or transmitted on this endpoint, after the endpoint is activated. The application uses the SD0PID register field to program either DATA0 or DATA1 PID.

0: DATA0

1: DATA1

Bit 15 **USBAEP**: USB active endpoint

Indicates whether this endpoint is active in the current configuration and interface. The core clears this bit for all endpoints (other than EP 0) after detecting a USB reset. After receiving the SetConfiguration and SetInterface commands, the application must program endpoint registers accordingly and set this bit.

Bits 14:11 Reserved, must be kept at reset value.

Bits 10:0 **MPSIZ**: Maximum packet size

The application must program this field with the maximum packet size for the current logical endpoint. This value is in bytes.

OTG_FS device endpoint-x interrupt register (OTG_FS_DIEPINTx) (x = 0..3, where x = Endpoint_number)

Address offset: 0x908 + 0x20 * x

Reset value: 0x0000 0080

This register indicates the status of an endpoint with respect to USB- and AHB-related events. It is shown in *Figure 357*. The application must read this register when the IN endpoints interrupt bit of the Core interrupt register (IEPINT in OTG_FS_GINTSTS) is set. Before the application can read this register, it must first read the device all endpoints interrupt (OTG_FS_DAIN) register to get the exact endpoint number for the Device endpoint-x interrupt register. The application must clear the appropriate bit in this register to clear the corresponding bits in the OTG_FS_DAIN and OTG_FS_GINTSTS registers.

31	30	29	28	27	26	25	24	23	22	21	20	19	18	17	16	15	14	13	12	11	10	9	8	7	6	5	4	3	2	1	0					
Reserved																		NAK	Reserved	PKTDRPSTS	Reserved								TXFE	INEPNE	INEPNM	ITTXFE	TOC	Reserved	EPDISD	XFRC
																		rc_w1		rc_w1									r	rc_w1	rc_w1	rc_w1	rc_w1		rc_w1	rc_w1

Bits 31:14 Reserved, must be kept at reset value.

Bit 13 **NAK**: NAK input

The core generates this interrupt when a NAK is transmitted or received by the device. In case of isochronous IN endpoints the interrupt gets generated when a zero length packet is transmitted due to unavailability of data in the Tx FIFO.

Bit 12 Reserved, must be kept at reset value.

Bit 11 **PKTDRPSTS**: Packet dropped status

This bit indicates to the application that an ISOC OUT packet has been dropped. This bit does not have an associated mask bit and does not generate an interrupt.

Bits 10:8 Reserved, must be kept at reset value.

Bit 7 **TXFE**: Transmit FIFO empty

This interrupt is asserted when the Tx FIFO for this endpoint is either half or completely empty. The half or completely empty status is determined by the Tx FIFO Empty Level bit in the OTG_FS_GAHBCFG register (TXFELVL bit in OTG_FS_GAHBCFG).

Bit 6 **INEPNE**: IN endpoint NAK effective

This bit can be cleared when the application clears the IN endpoint NAK by writing to the CNAK bit in OTG_FS_DIEPCTLx. This interrupt indicates that the core has sampled the NAK bit set (either by the application or by the core). The interrupt indicates that the IN endpoint NAK bit set by the application has taken effect in the core. This interrupt does not guarantee that a NAK handshake is sent on the USB. A STALL bit takes priority over a NAK bit.

Bit 5 **INEPNM**: IN token received with EP mismatch.

Indicates that the data in the top of the non-periodic Tx FIFO belongs to an endpoint other than the one for which the IN token was received. This interrupt is asserted on the endpoint for which the IN token was received.

- Bit 4 **ITTXFE**: IN token received when TxFIFO is empty
 Applies to non-periodic IN endpoints only.
 Indicates that an IN token was received when the associated TxFIFO (periodic/non-periodic) was empty. This interrupt is asserted on the endpoint for which the IN token was received.
- Bit 3 **TOC**: Timeout condition
 Applies only to Control IN endpoints.
 Indicates that the core has detected a timeout condition on the USB for the last IN token on this endpoint.
- Bit 2 Reserved, must be kept at reset value.
- Bit 1 **EPDISD**: Endpoint disabled interrupt
 This bit indicates that the endpoint is disabled per the application’s request.
- Bit 0 **XFRC**: Transfer completed interrupt
 This field indicates that the programmed transfer is complete on the AHB as well as on the USB, for this endpoint.

OTG_FS device endpoint-x interrupt register (OTG_FS_DOEPINTx) (x = 0..3, where x = Endpoint_number)

Address offset: 0xB08 + 0x20 * x

Reset value: 0x0000 0080

This register indicates the status of an endpoint with respect to USB- and AHB-related events. It is shown in *Figure 357*. The application must read this register when the OUT Endpoints Interrupt bit of the OTG_FS_GINTSTS register (OEPINT bit in OTG_FS_GINTSTS) is set. Before the application can read this register, it must first read the OTG_FS_DAIN register to get the exact endpoint number for the OTG_FS_DOEPINTx register. The application must clear the appropriate bit in this register to clear the corresponding bits in the OTG_FS_DAIN and OTG_FS_GINTSTS registers.

31	30	29	28	27	26	25	24	23	22	21	20	19	18	17	16	15	14	13	12	11	10	9	8	7	6	5	4	3	2	1	0
Reserved														NAK	BERR	Reserved				OUTPKTERR	Reserved			STSPHSRX	OTEPDIS	STUP	Reserved		EPDISD	XFRC	
														rc_w1	rc_w1					rc_w1	Reserved			rc_w1	rc_w1	rc_w1	Reserved		rc_w1	rc_w1	

Bits 31:14 Reserved, must be kept at reset value.

Bit 13 **NAK**: NAK input
 The core generates this interrupt when a NAK is transmitted or received by the device. In case of isochronous IN endpoints the interrupt gets generated when a zero length packet is transmitted due to unavailability of data in the Tx FIFO.

Bit 12 **BERR**: Babble error interrupt
 The core generates this interrupt when babble is received for the endpoint.

Bits 11:9 Reserved, must be kept at reset value.



Bit 8 **OUTPKTERR**: OUT packet error

This interrupt is asserted when the core detects an overflow or a CRC error for an OUT packet. This interrupt is valid only when thresholding is enabled.

Bits 7:6 Reserved, must be kept at reset value.

Bit 5 **STSPHSRX**: Status phase received for control write

This interrupt is generated only after the core has transferred all the data that the host has sent during the data phase of a control write transfer, to the system memory buffer. The interrupt indicates to the application that the host has switched from data phase to the status phase of a control write transfer. The application can use this interrupt to ACK or STALL the status phase, after it has decoded the data phase.

Bit 4 **OTEPDIS**: OUT token received when endpoint disabled

Applies only to control OUT endpoints.
Indicates that an OUT token was received when the endpoint was not yet enabled. This interrupt is asserted on the endpoint for which the OUT token was received.

Bit 3 **STUP**: SETUP phase done

Applies to control OUT endpoint only.
Indicates that the SETUP phase for the control endpoint is complete and no more back-to-back SETUP packets were received for the current control transfer. On this interrupt, the application can decode the received SETUP data packet.

Bit 2 Reserved, must be kept at reset value.

Bit 1 **EPDISD**: Endpoint disabled interrupt

This bit indicates that the endpoint is disabled per the application's request.

Bit 0 **XFRC**: Transfer completed interrupt

This field indicates that the programmed transfer is complete on the AHB as well as on the USB, for this endpoint.

OTG_FS device IN endpoint 0 transfer size register (OTG_FS_DIEPTSIZ0)

Address offset: 0x910

Reset value: 0x0000 0000

The application must modify this register before enabling endpoint 0. Once endpoint 0 is enabled using the endpoint enable bit in the device control endpoint 0 control registers (EPENA in OTG_FS_DIEPCTL0), the core modifies this register. The application can only read this register once the core has cleared the Endpoint enable bit.

Nonzero endpoints use the registers for endpoints 1–3.

31	30	29	28	27	26	25	24	23	22	21	20	19	18	17	16	15	14	13	12	11	10	9	8	7	6	5	4	3	2	1	0
Reserved											PKTCNT		Reserved											XFRSIZ							
											rw	rw												rw	rw	rw	rw	rw	rw	rw	

Bits 31:21 Reserved, must be kept at reset value.

Bits 20:19 **PKTCNT**: Packet count

Indicates the total number of USB packets that constitute the Transfer Size amount of data for endpoint 0.

This field is decremented every time a packet (maximum size or short packet) is read from the TxFIFO.

Bits 18:7 Reserved, must be kept at reset value.

Bits 6:0 **XFRSIZ**: Transfer size

Indicates the transfer size in bytes for endpoint 0. The core interrupts the application only after it has exhausted the transfer size amount of data. The transfer size can be set to the maximum packet size of the endpoint, to be interrupted at the end of each packet.

The core decrements this field every time a packet from the external memory is written to the TxFIFO.

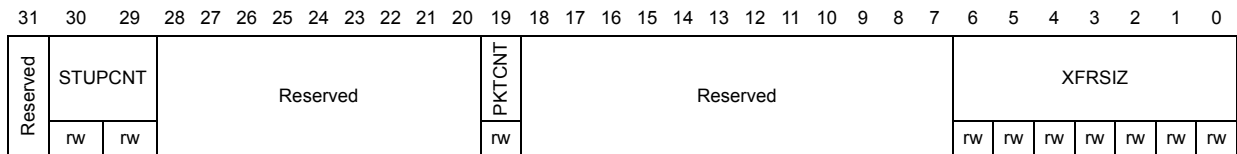
OTG_FS device OUT endpoint 0 transfer size register (OTG_FS_DOEPTSIZ0)

Address offset: 0xB10

Reset value: 0x0000 0000

The application must modify this register before enabling endpoint 0. Once endpoint 0 is enabled using the Endpoint enable bit in the OTG_FS_DOEPCCTL0 registers (EPENA bit in OTG_FS_DOEPCCTL0), the core modifies this register. The application can only read this register once the core has cleared the Endpoint enable bit.

Nonzero endpoints use the registers for endpoints 1–3.



Bit 31 Reserved, must be kept at reset value.

Bits 30:29 **STUPCNT**: SETUP packet count

This field specifies the number of back-to-back SETUP data packets the endpoint can receive.

- 01: 1 packet
- 10: 2 packets
- 11: 3 packets

Bits 28:20 Reserved, must be kept at reset value.

Bit 19 **PKTCNT**: Packet count

This field is decremented to zero after a packet is written into the RxFIFO.

Bits 18:7 Reserved, must be kept at reset value.

Bits 6:0 **XFRSIZ**: Transfer size

Indicates the transfer size in bytes for endpoint 0. The core interrupts the application only after it has exhausted the transfer size amount of data. The transfer size can be set to the maximum packet size of the endpoint, to be interrupted at the end of each packet. The core decrements this field every time a packet is read from the RxFIFO and written to the external memory.

**OTG_FS device endpoint-x transfer size register (OTG_FS_DIEPTSIZx)
(x = 1..3, where x = Endpoint_number)**

Address offset: 0x910 + 0x20 * x

Reset value: 0x0000 0000

The application must modify this register before enabling the endpoint. Once the endpoint is enabled using the Endpoint enable bit in the OTG_FS_DIEPCTLx registers (EPENA bit in OTG_FS_DIEPCTLx), the core modifies this register. The application can only read this register once the core has cleared the Endpoint enable bit.

31	30	29	28	27	26	25	24	23	22	21	20	19	18	17	16	15	14	13	12	11	10	9	8	7	6	5	4	3	2	1	0
Reserved			PKTCNT										XFRSIZ																		
			rw	rw	rw	rw	rw	rw	rw	rw	rw	rw	rw	rw	rw	rw	rw	rw	rw	rw	rw	rw	rw	rw	rw	rw	rw	rw	rw	rw	rw

Bits 31:29 Reserved, must be kept at reset value.

Bit 28:19 **PKTCNT**: Packet count

Indicates the total number of USB packets that constitute the Transfer Size amount of data for this endpoint.

This field is decremented every time a packet (maximum size or short packet) is read from the TxFIFO.

Bits 18:0 **XFRSIZ**: Transfer size

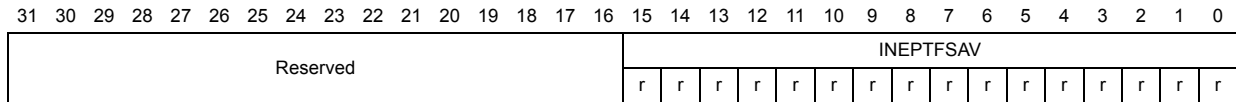
This field contains the transfer size in bytes for the current endpoint. The core only interrupts the application after it has exhausted the transfer size amount of data. The transfer size can be set to the maximum packet size of the endpoint, to be interrupted at the end of each packet.

The core decrements this field every time a packet from the external memory is written to the TxFIFO.

OTG_FS device IN endpoint transmit FIFO status register (OTG_FS_DTXFSTSx) (x = 0..3, where x = Endpoint_number)

Address offset for IN endpoints: 0x918 + 0x20 * x

This read-only register contains the free space information for the Device IN endpoint TxFIFO.



31:16 Reserved, must be kept at reset value.

15:0 **INEPTFSAV**: IN endpoint TxFIFO space available

Indicates the amount of free space available in the Endpoint TxFIFO.

Values are in terms of 32-bit words:

0x0: Endpoint TxFIFO is full

0x1: 1 word available

0x2: 2 words available

0xn: n words available

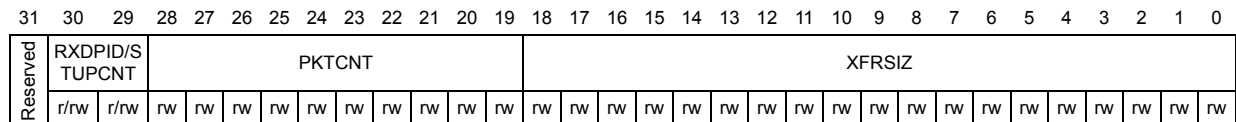
Others: Reserved

OTG_FS device OUT endpoint-x transfer size register (OTG_FS_DOEPTSIZx) (x = 1..3, where x = Endpoint_number)

Address offset: 0xB10 + 0x20 * x

Reset value: 0x0000 0000

The application must modify this register before enabling the endpoint. Once the endpoint is enabled using Endpoint Enable bit of the OTG_FS_DOEPCTLx registers (EPENA bit in OTG_FS_DOEPCTLx), the core modifies this register. The application can only read this register once the core has cleared the Endpoint enable bit.



Bit 31 Reserved, must be kept at reset value.

Bits 30:29 **RXDPID**: Received data PID

Applies to isochronous OUT endpoints only.

This is the data PID received in the last packet for this endpoint.

00: DATA0

01: DATA2

10: DATA1

11: MDATA

STUPCNT: SETUP packet count

Applies to control OUT Endpoints only.

This field specifies the number of back-to-back SETUP data packets the endpoint can receive.

01: 1 packet

10: 2 packets

11: 3 packets

Bit 28:19 **PKTCNT:** Packet count

Indicates the total number of USB packets that constitute the Transfer Size amount of data for this endpoint.

This field is decremented every time a packet (maximum size or short packet) is written to the RxFIFO.

Bits 18:0 **XFRSIZ:** Transfer size

This field contains the transfer size in bytes for the current endpoint. The core only interrupts the application after it has exhausted the transfer size amount of data. The transfer size can be set to the maximum packet size of the endpoint, to be interrupted at the end of each packet.

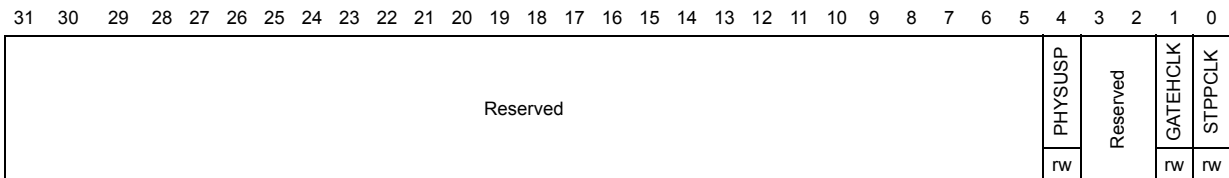
The core decrements this field every time a packet is read from the RxFIFO and written to the external memory.

29.16.5 OTG_FS power and clock gating control register (OTG_FS_PCGCCTL)

Address offset: 0xE00

Reset value: 0x0000 0000

This register is available in host and device modes.



Bit 31:5 Reserved, must be kept at reset value.

Bit 4 **PHYSUSP:** PHY Suspended

Indicates that the PHY has been suspended. This bit is updated once the PHY is suspended after the application has set the STPPCLK bit (bit 0).

Bits 3:2 Reserved, must be kept at reset value.

Bit 1 **GATEHCLK:** Gate HCLK

The application sets this bit to gate HCLK to modules other than the AHB Slave and Master and wake-up logic when the USB is suspended or the session is not valid. The application clears this bit when the USB is resumed or a new session starts.

Bit 0 **STPPCLK:** Stop PHY clock

The application sets this bit to stop the PHY clock when the USB is suspended, the session is not valid, or the device is disconnected. The application clears this bit when the USB is resumed or a new session starts.

29.16.6 OTG_FS register map

The table below gives the USB OTG register map and reset values.

Table 158. OTG_FS register map and reset values

Offset	Register	31	30	29	28	27	26	25	24	23	22	21	20	19	18	17	16	15	14	13	12	11	10	9	8	7	6	5	4	3	2	1	0			
0x000	OTG_FS_GOTG_CTL	Reserved													BSVLD	ASVLD	DBCT	CIDSTS	Reserved					DHNPEN	HSHNPEN	HNPQR	HNGSCS	Reserved					SRQ	SRQSCS		
	Reset value														0	0	0	1						0	0	0	0						0	0		
0x004	OTG_FS_GOTG_INT	Reserved													DBCNE	ADTOCHG	HNGDET	Reserved					HNSCHG		SRSSCHG	Reserved					SEDET	Res.				
	Reset value														0	0	0						0		0						0					
0x008	OTG_FS_GAHB_CFG	Reserved																							PTXFELVL		TXFELVL	Reserved					GINTMSK			
	Reset value																								0		0						0			
0x00C	OTG_FS_GUSB_CFG	CTXPKT	FDMOD	FHMOD	Reserved													TRDT			HNPQA	SRPCAP	Reserved	PHYSEL	Reserved		TOTAL									
	Reset value	0	0	0														0 0 1 0			1	0	Reserved	0	Reserved		0 0 0									
0x010	OTG_FS_GRST_CTL	AHBIDL	Reserved																			TXFNUM			TXFLSH		RXFFLSH	Reserved	FCRST	HSRST	CSRST					
	Reset value	1																				0 0 0			0		0	Reserved	0	0	0					
0x014	OTG_FS_GINTS_TS	WKUINT	SRQINT	DISCINT	CIDSCG	Reserved	PTXFE	HCINT	HPRTINT	Reserved			IPXFRM/ISOXFRM	ISOXFR	OEPI	IEPI	Reserved			EOPF	ISOODRPM	ENJMDNE	USBRST	USBSUSP	ESUSP	Reserved			GONAKEFF	GINAKEFF	NPTXFE	RXFVLV	SOF	OTGINT	MMIS	CMOD
	Reset value	0	0	0	0		1	0	0				0	0	0	0				0	0	0	0	0				0	0	1	0	0	0	0	0	0
0x018	OTG_FS_GINT_MSK	WUJIM	SRQIM	DISCINT	CIDSCGIM	Reserved	PTXFEM	HCIM	PRTIM	Reserved			IPXFRM/ISOXFRM	ISOXFRM	OEPI	IEPI	Reserved			EOPFM	ISOODRPM	ENJMDNEM	USBRST	USBSUSPM	ESUSPM	Reserved			GONAKEFFM	GINAKEFFM	NPTXFEM	RXFVLVM	SOFM	OTGINT	MMISM	Reserved
	Reset value	0	0	0	0		0	0	0				0	0	0	0				0	0	0	0	0				0	0	0	0	0	0	0	0	0
0x01C	OTG_FS_GRXS_TSR (host mode)	Reserved												PKTSTS				DPID	BCNT								CHNUM									
	Reset value													0 0 0 0				0	0 0								0 0 0 0									
	OTG_FS_GRXS_TSR (Device mode)	Reserved								FRMNUM				PKTSTS				DPID	BCNT								EPNUM									
	Reset value									0 0 0 0				0 0 0 0				0	0 0								0 0 0 0									

Table 158. OTG_FS register map and reset values (continued)

Offset	Register	31	30	29	28	27	26	25	24	23	22	21	20	19	18	17	16	15	14	13	12	11	10	9	8	7	6	5	4	3	2	1	0												
0x020	OTG_FS_GRXS_TSR (host mode)	Reserved											PKTSTS		DPID		BCNT										CHNUM																		
	Reset value												0	0	0	0	0	0	0	0	0	0	0	0	0	0	0	0	0	0	0	0	0	0	0	0	0	0	0	0	0				
0x020	OTG_FS_GRXS_TSPR (Device mode)	Reserved								FRMNUM				PKTSTS		DPID		BCNT										EPNUM																	
	Reset value									0	0	0	0	0	0	0	0	0	0	0	0	0	0	0	0	0	0	0	0	0	0	0	0	0	0	0	0	0	0						
0x024	OTG_FS_GRXF_SIZ	Reserved														RXFD																													
	Reset value															0	0	0	0	0	0	0	0	0	0	0	0	0	0	0	0	0	0	0	0	0	0	0	0	0	0	0	0	0	0
0x028	OTG_FS_HNPT_XFSIZ/ OTG_FS_DIEPT_XF0	NPTXFD/TX0FD														NPTXFSA/TX0FSA																													
	Reset value	0	0	0	0	0	0	0	0	0	0	0	0	0	0	0	0	0	0	0	0	0	0	0	0	0	0	0	0	0	0	0	0	0											
0x02C	OTG_FS_HNPT_XSTS	Res.	NPTXQTOP								NPTQXSAV								NPTXFSAV																										
	Reset value		0	0	0	0	0	0	0	0	0	0	0	0	0	0	0	0	0	0	0	0	0	0	0	0	0	0	0	0	0	0	0	0	0										
0x038	OTG_FS_GCCFG	Reserved											NOVBUSSENS	SOFOUTEN	VBUSSEN	VBUSASEN	Reserved	.PWRDWN	Reserved																										
	Reset value												0	0	0	0	0	0	0																										
0x03C	OTG_FS_CID	PRODUCT_ID																																											
	Reset value	0	0	0	0	0	0	0	0	0	0	0	0	0	0	0	0	0	0	0	0	0	0	0	0	0	0	0	0	0	0	0	0	0	0										
0x100	OTG_FS_HPTX_FSIZ	PTXFSIZ														PTXSA																													
	Reset value	0	0	0	0	0	0	0	0	0	0	0	0	0	0	0	0	0	0	0	0	0	0	0	0	0	0	0	0	0	0	0	0	0	0										
0x104	OTG_FS_DIEPT_XF1	INEPTXFD														INEPTXSA																													
	Reset value	0	0	0	0	0	0	0	0	0	0	0	0	0	0	0	0	0	0	0	0	0	0	0	0	0	0	0	0	0	0	0	0	0	0										
0x108	OTG_FS_DIEPT_XF2	INEPTXFD														INEPTXSA																													
	Reset value	0	0	0	0	0	0	0	0	0	0	0	0	0	0	0	0	0	0	0	0	0	0	0	0	0	0	0	0	0	0	0	0	0	0										
0x10C	OTG_FS_DIEPT_XF3	INEPTXFD														INEPTXSA																													
	Reset value	0	0	0	0	0	0	0	0	0	0	0	0	0	0	0	0	0	0	0	0	0	0	0	0	0	0	0	0	0	0	0	0	0	0										
0x400	OTG_FS_HCFG	Reserved																														FSLSS		FSLSPCS											
	Reset value																															0	0	0	0										
0x404	OTG_FS_HFIR	Reserved														FRIVL																													
	Reset value															1	1	1	0	1	0	1	0	0	1	1	0	0	0	0	0	0	0	0	0	0	0	0	0	0	0	0	0	0	0
0x408	OTG_FS_HFNUM	FTREM														FRNUM																													
	Reset value	0	0	0	0	0	0	0	0	0	0	0	0	0	0	0	0	0	0	0	0	0	0	0	0	0	0	0	0	0	0	0	0	0	0										



Table 158. OTG_FS register map and reset values (continued)

Offset	Register	31	30	29	28	27	26	25	24	23	22	21	20	19	18	17	16	15	14	13	12	11	10	9	8	7	6	5	4	3	2	1	0														
0x410	OTG_FS_HPTXSTS	PTXQTOP								PTXQSAV				PTXFSAVL																																	
	Reset value	0	0	0	0	0	0	0	0	0	Y	Y	Y	Y	Y	Y	Y	Y	Y	Y	Y	Y	Y	Y	Y	Y	Y	Y	Y	Y	Y	Y	Y														
0x414	OTG_FS_HAINT	Reserved																HAINT																													
	Reset value																	0	0	0	0	0	0	0	0	0	0	0	0	0	0	0	0	0	0	0	0	0	0	0	0	0	0	0	0	0	0
0x418	OTG_FS_HAINTMSK	Reserved																HAINTM																													
	Reset value																	0	0	0	0	0	0	0	0	0	0	0	0	0	0	0	0	0	0	0	0	0	0	0	0	0	0	0	0	0	0
0x440	OTG_FS_HPRT	Reserved														PSPD		PTCTL			PPWR	PLSTS		Reserved	PRST	PSUSP	PRES	POCCHNG	POCA	PENCHNG	PENA	PCDET	PCSTS														
	Reset value															0	0	0	0	0	0	0	0	0	0	0	0	0	0	0	0	0	0	0	0	0	0	0	0	0	0	0	0	0	0	0	0
0x500	OTG_FS_HCCHAR0	CHENA	CHDIS	ODDFRM	DAD				MCNT		EPTYP	LSDEV	Reserved	EPDIR	EPNUM	MPSIZ																															
	Reset value	0	0	0	0	0	0	0	0	0	0	0	0	0	0	0	0	0	0	0	0	0	0	0	0	0	0	0	0	0	0	0	0	0	0												
0x520	OTG_FS_HCCHAR1	CHENA	CHDIS	ODDFRM	DAD				MCNT		EPTYP	LSDEV	Reserved	EPDIR	EPNUM	MPSIZ																															
	Reset value	0	0	0	0	0	0	0	0	0	0	0	0	0	0	0	0	0	0	0	0	0	0	0	0	0	0	0	0	0	0	0	0	0	0												
0x540	OTG_FS_HCCHAR2	CHENA	CHDIS	ODDFRM	DAD				MCNT		EPTYP	LSDEV	Reserved	EPDIR	EPNUM	MPSIZ																															
	Reset value	0	0	0	0	0	0	0	0	0	0	0	0	0	0	0	0	0	0	0	0	0	0	0	0	0	0	0	0	0	0	0	0	0	0												
0x560	OTG_FS_HCCHAR3	CHENA	CHDIS	ODDFRM	DAD				MCNT		EPTYP	LSDEV	Reserved	EPDIR	EPNUM	MPSIZ																															
	Reset value	0	0	0	0	0	0	0	0	0	0	0	0	0	0	0	0	0	0	0	0	0	0	0	0	0	0	0	0	0	0	0	0	0	0												
0x580	OTG_FS_HCCHAR4	CHENA	CHDIS	ODDFRM	DAD				MCNT		EPTYP	LSDEV	Reserved	EPDIR	EPNUM	MPSIZ																															
	Reset value	0	0	0	0	0	0	0	0	0	0	0	0	0	0	0	0	0	0	0	0	0	0	0	0	0	0	0	0	0	0	0	0	0	0												
0x5A0	OTG_FS_HCCHAR5	CHENA	CHDIS	ODDFRM	DAD				MCNT		EPTYP	LSDEV	Reserved	EPDIR	EPNUM	MPSIZ																															
	Reset value	0	0	0	0	0	0	0	0	0	0	0	0	0	0	0	0	0	0	0	0	0	0	0	0	0	0	0	0	0	0	0	0	0	0												
0x5C0	OTG_FS_HCCHAR6	CHENA	CHDIS	ODDFRM	DAD				MCNT		EPTYP	LSDEV	Reserved	EPDIR	EPNUM	MPSIZ																															
	Reset value	0	0	0	0	0	0	0	0	0	0	0	0	0	0	0	0	0	0	0	0	0	0	0	0	0	0	0	0	0	0	0	0	0	0												
0x5E0	OTG_FS_HCCHAR7	CHENA	CHDIS	ODDFRM	DAD				MCNT		EPTYP	LSDEV	Reserved	EPDIR	EPNUM	MPSIZ																															
	Reset value	0	0	0	0	0	0	0	0	0	0	0	0	0	0	0	0	0	0	0	0	0	0	0	0	0	0	0	0	0	0	0	0	0	0												
0x508	OTG_FS_HCINT0	Reserved																				DTERR	FRMOR	BBERR	TXERR	Reserved	ACK	NAK	STALL	Reserved	CHH	XFRC															
	Reset value																					0	0	0	0	0	0	0	0	0	0	0	0	0	0	0											



Table 158. OTG_FS register map and reset values (continued)

Offset	Register	31	30	29	28	27	26	25	24	23	22	21	20	19	18	17	16	15	14	13	12	11	10	9	8	7	6	5	4	3	2	1	0														
0x528	OTG_FS_HCINT_1	Reserved																					DTERR	FRMOR	BBERR	TXERR	Reserved	ACK	NAK	STALL	Reserved	CHH	XFRC														
	Reset value																						0	0	0	0	Reserved	0	0	0	Reserved	0	0														
0x548	OTG_FS_HCINT_2	Reserved																					DTERR	FRMOR	BBERR	TXERR	Reserved	ACK	NAK	STALL	Reserved	CHH	XFRC														
	Reset value																						0	0	0	0	Reserved	0	0	0	Reserved	0	0														
0x568	OTG_FS_HCINT_3	Reserved																					DTERR	FRMOR	BBERR	TXERR	Reserved	ACK	NAK	STALL	Reserved	CHH	XFRC														
	Reset value																						0	0	0	0	Reserved	0	0	0	Reserved	0	0														
0x588	OTG_FS_HCINT_4	Reserved																					DTERR	FRMOR	BBERR	TXERR	Reserved	ACK	NAK	STALL	Reserved	CHH	XFRC														
	Reset value																						0	0	0	0	Reserved	0	0	0	Reserved	0	0														
0x5A8	OTG_FS_HCINT_5	Reserved																					DTERR	FRMOR	BBERR	TXERR	Reserved	ACK	NAK	STALL	Reserved	CHH	XFRC														
	Reset value																						0	0	0	0	Reserved	0	0	0	Reserved	0	0														
0x5C8	OTG_FS_HCINT_6	Reserved																					DTERR	FRMOR	BBERR	TXERR	Reserved	ACK	NAK	STALL	Reserved	CHH	XFRC														
	Reset value																						0	0	0	0	Reserved	0	0	0	Reserved	0	0														
0x5E8	OTG_FS_HCINT_7	Reserved																					DTERR	FRMOR	BBERR	TXERR	Reserved	ACK	NAK	STALL	Reserved	CHH	XFRC														
	Reset value																						0	0	0	0	Reserved	0	0	0	Reserved	0	0														
0x50C	OTG_FS_HCINT_MSK0	Reserved																					DTERRM	FRMORM	BBERRM	TXERRM	Reserved	ACKM	NAKM	STALLM	Reserved	CHHM	XFRCM														
	Reset value																						0	0	0	0	Reserved	0	0	0	Reserved	0	0														
0x52C	OTG_FS_HCINT_MSK1	Reserved																					DTERRM	FRMORM	BBERRM	TXERRM	Reserved	ACKM	NAKM	STALLM	Reserved	CHHM	XFRCM														
	Reset value																						0	0	0	0	Reserved	0	0	0	Reserved	0	0														
0x54C	OTG_FS_HCINT_MSK2	Reserved																					DTERRM	FRMORM	BBERRM	TXERRM	Reserved	ACKM	NAKM	STALLM	Reserved	CHHM	XFRCM														
	Reset value																						0	0	0	0	Reserved	0	0	0	Reserved	0	0														
0x56C	OTG_FS_HCINT_MSK3	Reserved																					DTERRM	FRMORM	BBERRM	TXERRM	Reserved	ACKM	NAKM	STALLM	Reserved	CHHM	XFRCM														
	Reset value																						0	0	0	0	Reserved	0	0	0	Reserved	0	0														
0x58C	OTG_FS_HCINT_MSK4	Reserved																					DTERRM	FRMORM	BBERRM	TXERRM	Reserved	ACKM	NAKM	STALLM	Reserved	CHHM	XFRCM														
	Reset value																						0	0	0	0	Reserved	0	0	0	Reserved	0	0														



Table 158. OTG_FS register map and reset values (continued)

Offset	Register	31	30	29	28	27	26	25	24	23	22	21	20	19	18	17	16	15	14	13	12	11	10	9	8	7	6	5	4	3	2	1	0																
0x5AC	OTG_FS_HCINT MSK5	Reserved																				DTERRM	FRMORM	BBERRM	TXERRM	Reserved	ACKM	NAKM	STALLM	Reserved	CHHM	XFCRM																	
	Reset value	0																				0	0	0	0	0	0	0	0	0	0	0	0	0	0	0	0	0	0	0	0	0	0	0	0	0	0	0	0
0x5CC	OTG_FS_HCINT MSK6	Reserved																				DTERRM	FRMORM	BBERRM	TXERRM	Reserved	ACKM	NAKM	STALLM	Reserved	CHHM	XFCRM																	
	Reset value	0																				0	0	0	0	0	0	0	0	0	0	0	0	0	0	0	0	0	0	0	0	0	0	0	0	0	0	0	0
0x5EC	OTG_FS_HCINT MSK7	Reserved																				DTERRM	FRMORM	BBERRM	TXERRM	Reserved	ACKM	NAKM	STALLM	Reserved	CHHM	XFCRM																	
	Reset value	0																				0	0	0	0	0	0	0	0	0	0	0	0	0	0	0	0	0	0	0	0	0	0	0	0	0	0	0	0
0x510	OTG_FS_HCTSI Z0	Reserved	DPID	PKTCNT										XFRSIZ																																			
	Reset value		0	0	0	0	0	0	0	0	0	0	0	0	0	0	0	0	0	0	0	0	0	0	0	0	0	0	0	0	0	0	0	0															
0x530	OTG_FS_HCTSI Z1	Reserved	DPID	PKTCNT										XFRSIZ																																			
	Reset value		0	0	0	0	0	0	0	0	0	0	0	0	0	0	0	0	0	0	0	0	0	0	0	0	0	0	0	0	0	0	0	0	0														
0x550	OTG_FS_HCTSI Z2	Reserved	DPID	PKTCNT										XFRSIZ																																			
	Reset value		0	0	0	0	0	0	0	0	0	0	0	0	0	0	0	0	0	0	0	0	0	0	0	0	0	0	0	0	0	0	0	0	0														
0x570	OTG_FS_HCTSI Z3	Reserved	DPID	PKTCNT										XFRSIZ																																			
	Reset value		0	0	0	0	0	0	0	0	0	0	0	0	0	0	0	0	0	0	0	0	0	0	0	0	0	0	0	0	0	0	0	0	0														
0x590	OTG_FS_HCTSI Z4	Reserved	DPID	PKTCNT										XFRSIZ																																			
	Reset value		0	0	0	0	0	0	0	0	0	0	0	0	0	0	0	0	0	0	0	0	0	0	0	0	0	0	0	0	0	0	0	0	0														
0x5B0	OTG_FS_HCTSI Z5	Reserved	DPID	PKTCNT										XFRSIZ																																			
	Reset value		0	0	0	0	0	0	0	0	0	0	0	0	0	0	0	0	0	0	0	0	0	0	0	0	0	0	0	0	0	0	0	0	0														
0x5D0	OTG_FS_HCTSI Z6	Reserved	DPID	PKTCNT										XFRSIZ																																			
	Reset value		0	0	0	0	0	0	0	0	0	0	0	0	0	0	0	0	0	0	0	0	0	0	0	0	0	0	0	0	0	0	0	0	0														
0x5F0	OTG_FS_HCTSI Z7	Reserved	DPID	PKTCNT										XFRSIZ																																			
	Reset value		0	0	0	0	0	0	0	0	0	0	0	0	0	0	0	0	0	0	0	0	0	0	0	0	0	0	0	0	0	0	0	0	0														
0x800	OTG_FS_DCFG	Reserved																				PFIVL		DAD				Reserved	NZLSOHSK		DSPD																		
	Reset value	0																				0	0	0	0	0	0	0	0	0	0	0	0	0	0	0	0	0	0	0	0	0	0	0	0	0	0	0	0
0x804	OTG_FS_DCTL	Reserved																				POPRGDNE	CGONAK	SGONAK	CGINAK	SGINAK	TCTL				GONSTS		GINSTS		SDIS		RWUSIG												
	Reset value	0																				0	0	0	0	0	0	0	0	0	0	0	0	0	0	0	0	0	0	0	0	0	0	0	0	0	0	0	0



Table 158. OTG_FS register map and reset values (continued)

Offset	Register	31	30	29	28	27	26	25	24	23	22	21	20	19	18	17	16	15	14	13	12	11	10	9	8	7	6	5	4	3	2	1	0														
0x808	OTG_FS_DSTS	Reserved											FNSOF										Reserved					EERR	ENUMSPD	SUSPSTS																	
	Reset value												0	0	0	0	0	0	0	0	0	0	0	0	0	0	0	0	0	0	0	0	0	0	0	0	0	0	0	0	0	0	0				
0x810	OTG_FS_DIEPMSK	Reserved											Reserved					NAKMSK	Reserved					INEPNEM	INEPNMM	ITTXFEMSK	TOM	Reserved	EPDM	XFRM																	
	Reset value																	0						0	0	0	0	0	0	0	0	0	0	0	0	0	0	0	0								
0x814	OTG_FS_DOEPMASK	Reserved											NAKMSK		BERRM	Reserved					OUTPKTERRM	Reserved	STSPHSRXM	OTEPDM	STUPM	Reserved	EPDM	XFRM																			
	Reset value												0	0	0						0	0	0	0	0	0	0	0	0	0	0	0	0	0	0	0	0										
0x818	OTG_FS_DAINTEPINT	OEPINT															IEPINT																														
	Reset value	0	0	0	0	0	0	0	0	0	0	0	0	0	0	0	0	0	0	0	0	0	0	0	0	0	0	0	0	0	0	0	0	0													
0x81C	OTG_FS_DAINTEPMASK	OEPM															IEPM																														
	Reset value	0	0	0	0	0	0	0	0	0	0	0	0	0	0	0	0	0	0	0	0	0	0	0	0	0	0	0	0	0	0	0	0	0													
0x828	OTG_FS_DVBUSDIS	Reserved															VBUSDT																														
	Reset value																0	0	0	0	1	0	1	1	1	1	1	1	0	1	0	1	1	1	0	0	0	0	0	0	0	0	0	0	0	0	0
0x82C	OTG_FS_DVBUSPULSE	Reserved															DVBUSP																														
	Reset value																0	1	0	1	1	0	1	1	1	1	0	0	0	0	0	0	0	0	0	0	0	0	0	0	0	0	0	0	0	0	0
0x834	OTG_FS_DIEPMPMSK	Reserved															INEPTXFEM																														
	Reset value																0	0	0	0	0	0	0	0	0	0	0	0	0	0	0	0	0	0	0	0	0	0	0	0	0	0	0	0	0	0	0
0x900	OTG_FS_DIEPCTL0	EPENA	EPDIS	Reserved		SNAK	CNAK	TXFNUM			STALL	Reserved	EPTYP	NAKSTS	Reserved	USBAEP	Reserved										MPSIZ																				
	Reset value	0	0			0	0	0	0	0	0	0	0	Reserved	0	0	0	1											0	0																	
0x918	TG_FS_DTXFSTS0	Reserved															INEPTFSAV																														
	Reset value																0	0	0	0	0	0	0	0	0	0	0	0	0	0	0	0	0	0	0	0	0	0	0	0	0	0	0	0	0	0	0
0x920	OTG_FS_DIEPCTL1	EPENA	EPDIS	SODDFRM/SD1PID	SD0PID/SEVNFRRM	SNAK	CNAK	TXFNUM			STALL	Reserved	EPTYP	NAKSTS	EONUM/DPID	USBAEP	Reserved					MPSIZ																									
	Reset value	0	0	0	0	0	0	0	0	0	0	0	0	Reserved	0	0	0	0						0					0	0	0	0	0	0	0	0	0	0									
0x938	TG_FS_DTXFSTS1	Reserved															INEPTFSAV																														
	Reset value																0	0	0	0	0	0	0	0	0	0	0	0	0	0	0	0	0	0	0	0	0	0	0	0	0	0	0	0	0	0	0



Table 158. OTG_FS register map and reset values (continued)

Offset	Register	31	30	29	28	27	26	25	24	23	22	21	20	19	18	17	16	15	14	13	12	11	10	9	8	7	6	5	4	3	2	1	0				
0x940	OTG_FS_DIEPC TL2	EPENA	EPDIS	SODDFRM	SD0PID/SEVNFRM	SNAK	CNAK	TXFNUM				STALL	Reserved	EPTYP	NAKSTS	EONUM/DPID	USBAEP	Reserved					MPSIZ														
	Reset value	0	0	0	0	0	0	0	0	0	0	0	0	0	0	0	0	0	0	0	0	0	0	0	0	0	0	0	0	0	0	0	0				
0x958	TG_FS_DTXFST S2	Reserved															INEPTFSAV																				
	Reset value																0	0	0	0	0	0	0	0	0	0	0	0	0	0	0	0	0	0	0	0	0
0x960	OTG_FS_DIEPC TL3	EPENA	EPDIS	SODDFRM	SD0PID/SEVNFRM	SNAK	CNAK	TXFNUM				STALL	Reserved	EPTYP	NAKSTS	EONUM/DPID	USBAEP	Reserved					MPSIZ														
	Reset value	0	0	0	0	0	0	0	0	0	0	0	0	0	0	0	0	0	0	0	0	0	0	0	0	0	0	0	0	0	0	0	0				
0x978	TG_FS_DTXFST S3	Reserved															INEPTFSAV																				
	Reset value																0	0	0	0	0	0	0	0	0	0	0	0	0	0	0	0	0	0	0	0	0
0xB00	OTG_FS_DOEP CTL0	EPENA	EPDIS	Reserved		SNAK	CNAK	Reserved				STALL	SNPM	EPTYP	NAKSTS	Reserved	USBAEP	Reserved										MPSIZ									
	Reset value	0	0			0	0					0	0	0	0	Reserved	1											0									
0xB20	OTG_FS_DOEP CTL1	EPENA	EPDIS	SODDFRM	SD0PID/SEVNFRM	SNAK	CNAK	Reserved				STALL	SNPM	EPTYP	NAKSTS	EONUM/DPID	USBAEP	Reserved					MPSIZ														
	Reset value	0	0	0	0	0	0					0	0	0	0	0	0	0						0	0	0	0	0	0	0	0	0	0	0	0		
0xB40	OTG_FS_DOEP CTL2	EPENA	EPDIS	SODDFRM	SD0PID/SEVNFRM	SNAK	CNAK	Reserved				STALL	SNPM	EPTYP	NAKSTS	EONUM/DPID	USBAEP	Reserved					MPSIZ														
	Reset value	0	0	0	0	0	0					0	0	0	0	0	0	0						0	0	0	0	0	0	0	0	0	0	0	0		
0xB60	OTG_FS_DOEP CTL3	EPENA	EPDIS	SODDFRM	SD0PID/SEVNFRM	SNAK	CNAK	Reserved				STALL	SNPM	EPTYP	NAKSTS	EONUM/DPID	USBAEP	Reserved					MPSIZ														
	Reset value	0	0	0	0	0	0					0	0	0	0	0	0	0						0	0	0	0	0	0	0	0	0	0	0	0		
0x908	OTG_FS_DIEPINT0	Reserved															NAK	Reserved	PKTDRPSTS	Reserved					TXFE	INEPNE	INEPNM	ITXFE	TOC	Reserved	EPDISD	XFRIC					
	Reset value																0		0						1	0	0	0	0			0	0				

Table 158. OTG_FS register map and reset values (continued)

Offset	Register	31	30	29	28	27	26	25	24	23	22	21	20	19	18	17	16	15	14	13	12	11	10	9	8	7	6	5	4	3	2	1	0				
0x928	OTG_FS_DIEPI NT1	Reserved																			NAK	Reserved	PKTDRPSTS	Reserved			TXFE	INEPNE	INEPNM	ITTXFE	TOC	Reserved	EPDISD	XFRFC			
	Reset value																				0		0				1	0	0	0	0		0	0			
0x948	OTG_FS_DIEPI NT2	Reserved																			NAK	Reserved	PKTDRPSTS	Reserved			TXFE	INEPNE	INEPNM	ITTXFE	TOC	Reserved	EPDISD	XFRFC			
	Reset value																				0		0				1	0	0	0	0		0	0			
0x968	OTG_FS_DIEPI NT3	Reserved																			NAK	Reserved	PKTDRPSTS	Reserved			TXFE	INEPNE	INEPNM	ITTXFE	TOC	Reserved	EPDISD	XFRFC			
	Reset value																				0		0				1	0	0	0	0		0	0			
0xB08	OTG_FS_DOEPI NT0	Reserved																			NAK	BERR	Reserved			OUTPKTERR			Reserved			STSPHSRX	OTEPDIS	STUP	Reserved	EPDISD	XFRFC
	Reset value																				0	0				0			Reserved			0	0	0		0	0
0xB28	OTG_FS_DOEPI NT1	Reserved																			NAK	BERR	Reserved			OUTPKTERR			Reserved			STSPHSRX	OTEPDIS	STUP	Reserved	EPDISD	XFRFC
	Reset value																				0	0				0			Reserved			0	0	0		0	0
0xB48	OTG_FS_DOEPI NT2	Reserved																			NAK	BERR	Reserved			OUTPKTERR			Reserved			STSPHSRX	OTEPDIS	STUP	Reserved	EPDISD	XFRFC
	Reset value																				0	0				0			Reserved			0	0	0		0	0
0xB68	OTG_FS_DOEPI NT3	Reserved																			NAK	BERR	Reserved			OUTPKTERR			Reserved			STSPHSRX	OTEPDIS	STUP	Reserved	EPDISD	XFRFC
	Reset value																				0	0				0			Reserved			0	0	0		0	0
0x910	OTG_FS_DIEPT SIZ0	Reserved											PKTC NT		Reserved											XFRSIZ											
	Reset value												0	0												0	0	0	0								
0x930	OTG_FS_DIEPT SIZ1	Reserved		PKTCNT										XFRSIZ																							
	Reset value			0	0	0	0	0	0	0	0	0	0	0	0	0	0	0	0	0	0	0	0	0	0	0	0	0	0	0	0	0	0				
0x950	OTG_FS_DIEPT SIZ2	Reserved		PKTCNT										XFRSIZ																							
	Reset value			0	0	0	0	0	0	0	0	0	0	0	0	0	0	0	0	0	0	0	0	0	0	0	0	0	0	0	0	0	0				
0x970	OTG_FS_DIEPT SIZ3	Reserved		PKTCNT										XFRSIZ																							
	Reset value			0	0	0	0	0	0	0	0	0	0	0	0	0	0	0	0	0	0	0	0	0	0	0	0	0	0	0	0	0	0				



Table 158. OTG_FS register map and reset values (continued)

Offset	Register	31	30	29	28	27	26	25	24	23	22	21	20	19	18	17	16	15	14	13	12	11	10	9	8	7	6	5	4	3	2	1	0
0xB10	OTG_FS_DOEP_TSIZ0	Reserved	STUPCNT		Reserved										PKTCNT	Reserved										XFRSIZ							
	Reset value		0	0											0											0	0	0	0	0	0	0	
0xB30	OTG_FS_DOEP_TSIZ1	Reserved	RXDPID/ STUPCNT		PKTCNT										XFRSIZ																		
	Reset value		0	0	0	0	0	0	0	0	0	0	0	0	0	0	0	0	0	0	0	0	0	0	0	0	0	0	0	0	0	0	0
0xB50	OTG_FS_DOEP_TSIZ2	Reserved	RXDPID/ STUPCNT		PKTCNT										XFRSIZ																		
	Reset value		0	0	0	0	0	0	0	0	0	0	0	0	0	0	0	0	0	0	0	0	0	0	0	0	0	0	0	0	0	0	0
0xB70	OTG_FS_DOEP_TSIZ3	Reserved	RXDPID/ STUPCNT		PKTCNT										XFRSIZ																		
	Reset value		0	0	0	0	0	0	0	0	0	0	0	0	0	0	0	0	0	0	0	0	0	0	0	0	0	0	0	0	0	0	0
0xE00	OTG_FS_PCGC_CTL	Reserved																								PHYSUSP	Reserved		GATEHCLK	STPCLK			
	Reset value																																

Refer to [Section 3.3: Memory map](#) for the register boundary addresses.

29.17 OTG_FS programming model

29.17.1 Core initialization

The application must perform the core initialization sequence. If the cable is connected during power-up, the current mode of operation bit in the OTG_FS_GINTSTS (CMOD bit in OTG_FS_GINTSTS) reflects the mode. The OTG_FS controller enters host mode when an “A” plug is connected or device mode when a “B” plug is connected.

This section explains the initialization of the OTG_FS controller after power-on. The application must follow the initialization sequence irrespective of host or device mode operation. All core global registers are initialized according to the core’s configuration:

1. Program the following fields in the OTG_FS_GAHBCFG register:
 - Global interrupt mask bit GINTMSK = 1
 - RxFIFO non-empty (RXFLVL bit in OTG_FS_GINTSTS)
 - Periodic TxFIFO empty level
2. Program the following fields in the OTG_FS_GUSBCFG register:
 - HNP capable bit
 - SRP capable bit
 - FS timeout calibration field
 - USB turnaround time field
3. The software must unmask the following bits in the OTG_FS_GINTMSK register:
 - OTG interrupt mask
 - Mode mismatch interrupt mask
4. The software can read the CMOD bit in OTG_FS_GINTSTS to determine whether the OTG_FS controller is operating in host or device mode.

29.17.2 Host initialization

To initialize the core as host, the application must perform the following steps:

1. Program the HPRTINT in the OTG_FS_GINTMSK register to unmask
2. Program the OTG_FS_HCFG register to select full-speed host
3. Program the PPWR bit in OTG_FS_HPRT to 1. This drives V_{BUS} on the USB.
4. Wait for the PCDET interrupt in OTG_FS_HPRT0. This indicates that a device is connecting to the port.
5. Program the PRST bit in OTG_FS_HPRT to 1. This starts the reset process.
6. Wait at least 10 ms for the reset process to complete.
7. Program the PRST bit in OTG_FS_HPRT to 0.
8. Wait for the PENCHNG interrupt in OTG_FS_HPRT.
9. Read the PSPD bit in OTG_FS_HPRT to get the enumerated speed.
10. Program the HFIR register with a value corresponding to the selected PHY clock 1
11. Program the FSLSPCS field in the OTG_FS_HCFG register following the speed of the device detected in step 9. If FSLSPCS has been changed a port reset must be performed.
12. Program the OTG_FS_GRXFSIZ register to select the size of the receive FIFO.
13. Program the OTG_FS_HNPTXFSIZ register to select the size and the start address of the Non-periodic transmit FIFO for non-periodic transactions.
14. Program the OTG_FS_HPTXFSIZ register to select the size and start address of the periodic transmit FIFO for periodic transactions.

To communicate with devices, the system software must initialize and enable at least one channel.

29.17.3 Device initialization

The application must perform the following steps to initialize the core as a device on power-up or after a mode change from host to device.

1. Program the following fields in the OTG_FS_DCFG register:
 - Device speed
 - Non-zero-length status OUT handshake
2. Program the OTG_FS_GINTMSK register to unmask the following interrupts:
 - USB reset
 - Enumeration done
 - Early suspend
 - USB suspend
 - SOF
3. Program the VBUSSEN bit in the OTG_FS_GCCFG register to enable V_{BUS} sensing in “B” device mode and supply the 5 volts across the pull-up resistor on the DP line.
4. Wait for the USBRST interrupt in OTG_FS_GINTSTS. It indicates that a reset has been detected on the USB that lasts for about 10 ms on receiving this interrupt.

Wait for the ENUMDNE interrupt in OTG_FS_GINTSTS. This interrupt indicates the end of reset on the USB. On receiving this interrupt, the application must read the OTG_FS_DSTS

register to determine the enumeration speed and perform the steps listed in [Endpoint initialization on enumeration completion on page 1052](#).

At this point, the device is ready to accept SOF packets and perform control transfers on control endpoint 0.

29.17.4 Host programming model

Channel initialization

The application must initialize one or more channels before it can communicate with connected devices. To initialize and enable a channel, the application must perform the following steps:

1. Program the OTG_FS_GINTMSK register to unmask the following:
2. Channel interrupt
 - Non-periodic transmit FIFO empty for OUT transactions (applicable when operating in pipelined transaction-level with the packet count field programmed with more than one).
 - Non-periodic transmit FIFO half-empty for OUT transactions (applicable when operating in pipelined transaction-level with the packet count field programmed with more than one).
3. Program the OTG_FS_HAINTMSK register to unmask the selected channels' interrupts.
4. Program the OTG_FS_HCINTMSK register to unmask the transaction-related interrupts of interest given in the host channel interrupt register.
5. Program the selected channel's OTG_FS_HCTSIZx register with the total transfer size, in bytes, and the expected number of packets, including short packets. The application must program the PID field with the initial data PID (to be used on the first OUT transaction or to be expected from the first IN transaction).
6. Program the OTG_FS_HCCHARx register of the selected channel with the device's endpoint characteristics, such as type, speed, direction, and so forth. (The channel can be enabled by setting the channel enable bit to 1 only when the application is ready to transmit or receive any packet).

Halting a channel

The application can disable any channel by programming the OTG_FS_HCCHARx register with the CHDIS and CHENA bits set to 1. This enables the OTG_FS host to flush the posted requests (if any) and generates a channel halted interrupt. The application must wait for the CHH interrupt in OTG_FS_HCINTx before reallocating the channel for other transactions. The OTG_FS host does not interrupt the transaction that has already been started on the USB.

Before disabling a channel, the application must ensure that there is at least one free space available in the non-periodic request queue (when disabling a non-periodic channel) or the periodic request queue (when disabling a periodic channel). The application can simply flush the posted requests when the Request queue is full (before disabling the channel), by programming the OTG_FS_HCCHARx register with the CHDIS bit set to 1, and the CHENA bit cleared to 0.

The application is expected to disable a channel on any of the following conditions:

1. When an STALL, TXERR, BBERR or DTERR interrupt in OTG_FS_HCINTx is received for an IN or OUT channel. The application must be able to receive other interrupts (DTERR, Nak, Data, TXERR) for the same channel before receiving the halt.
2. When a DISCINT (Disconnect Device) interrupt in OTG_FS_GINTSTS is received. (The application is expected to disable all enabled channels).
3. When the application aborts a transfer before normal completion.

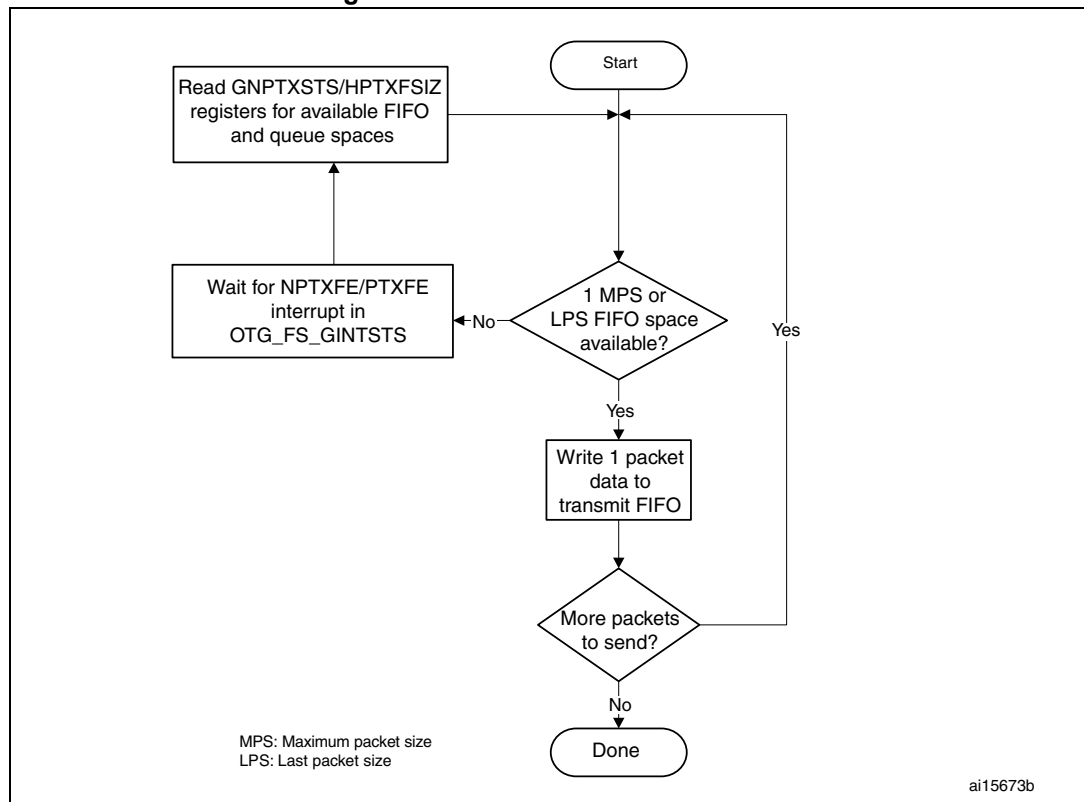
Operational model

The application must initialize a channel before communicating to the connected device. This section explains the sequence of operation to be performed for different types of USB transactions.

- **Writing the transmit FIFO**

The OTG_FS host automatically writes an entry (OUT request) to the periodic/non-periodic request queue, along with the last word write of a packet. The application must ensure that at least one free space is available in the periodic/non-periodic request queue before starting to write to the transmit FIFO. The application must always write to the transmit FIFO in words. If the packet size is non-word aligned, the application must use padding. The OTG_FS host determines the actual packet size based on the programmed maximum packet size and transfer size.

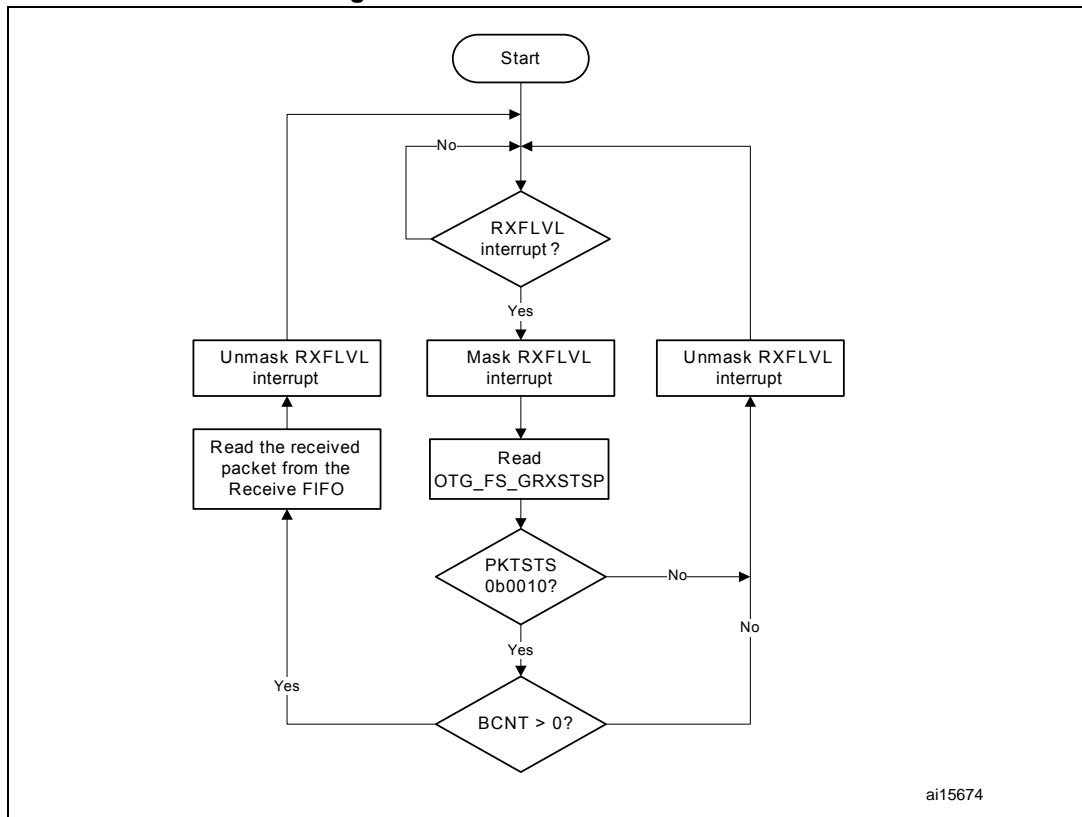
Figure 359. Transmit FIFO write task



- **Reading the receive FIFO**

The application must ignore all packet statuses other than IN data packet (bx0010).

Figure 360. Receive FIFO read task



ai15674

- **Bulk and control OUT/SETUP transactions**

A typical bulk or control OUT/SETUP pipelined transaction-level operation is shown in [Figure 361](#). See channel 1 (ch_1). Two bulk OUT packets are transmitted. A control SETUP transaction operates in the same way but has only one packet. The assumptions are:

- The application is attempting to send two maximum-packet-size packets (transfer size = 1,024 bytes).
- The non-periodic transmit FIFO can hold two packets (128 bytes for FS).
- The non-periodic request queue depth = 4.

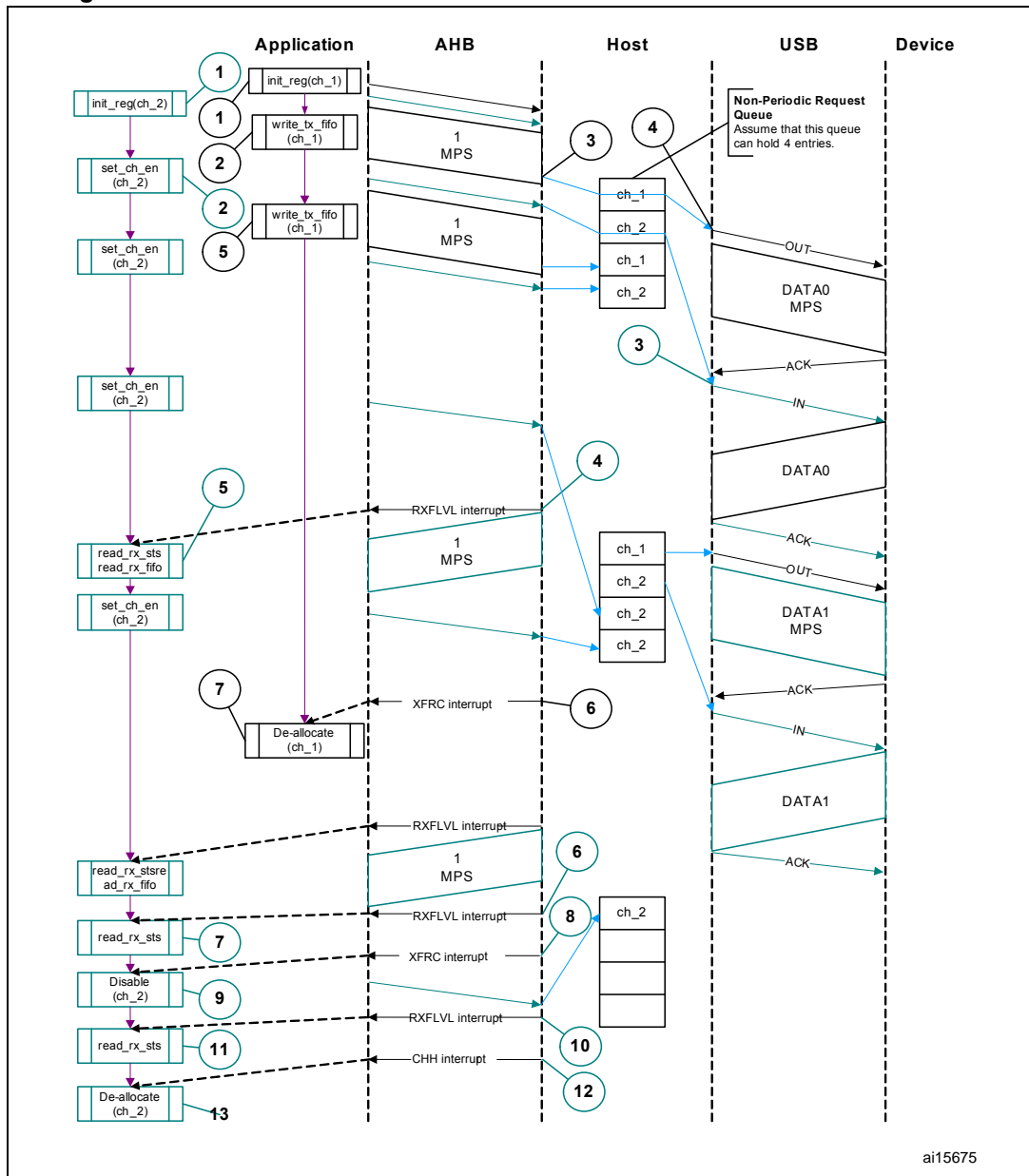
- **Normal bulk and control OUT/SETUP operations**

The sequence of operations in (channel 1) is as follows:

- Initialize channel 1
- Write the first packet for channel 1
- Along with the last word write, the core writes an entry to the non-periodic request queue
- As soon as the non-periodic queue becomes non-empty, the core attempts to send an OUT token in the current frame
- Write the second (last) packet for channel 1
- The core generates the XFRC interrupt as soon as the last transaction is completed successfully

- g) In response to the XFRC interrupt, de-allocate the channel for other transfers
- h) Handling non-ACK responses

Figure 361. Normal bulk/control OUT/SETUP and bulk/control IN transactions



The channel-specific interrupt service routine for bulk and control OUT/SETUP transactions is shown in the following code samples.

- **Interrupt service routine for bulk/control OUT/SETUP and bulk/control IN transactions**

a) Bulk/Control OUT/SETUP

```

Unmask (NAK/TXERR/STALL/XFRC)
if (XFRC)
{

```

```

    Reset Error Count
    Mask ACK
    De-allocate Channel
  }
else if (STALL)
{
  Transfer Done = 1
  Unmask CHH
  Disable Channel
}
else if (NAK or TXERR )
{
  Rewind Buffer Pointers
  Unmask CHH
  Disable Channel
  if (TXERR)
  {
    Increment Error Count
    Unmask ACK
  }
  else
  {
    Reset Error Count
  }
}
else if (CHH)
{
  Mask CHH
  if (Transfer Done or (Error_count == 3))
  {
    De-allocate Channel
  }
  else
  {
    Re-initialize Channel
  }
}
else if (ACK)
{
  Reset Error Count
  Mask ACK
}

```

The application is expected to write the data packets into the transmit FIFO as and when the space is available in the transmit FIFO and the Request queue. The application can make use of the NPTXFE interrupt in OTG_FS_GINTSTS to find the transmit FIFO space.

b) Bulk/Control IN

```

Unmask (TXERR/XFRC/BBERR/STALL/DTERR)
if (XFRC)
{
  Reset Error Count
}

```

```

    Unmask CHH
    Disable Channel
    Reset Error Count
    Mask ACK
}
else if (TXERR or BBERR or STALL)
{
    Unmask CHH
    Disable Channel
    if (TXERR)
    {
        Increment Error Count
        Unmask ACK
    }
}
else if (CHH)
{
    Mask CHH
    if (Transfer Done or (Error_count == 3))
    {
        De-allocate Channel
    }
    else
    {
        Re-initialize Channel
    }
}
else if (ACK)
{
    Reset Error Count
    Mask ACK
}
else if (DTERR)
{
    Reset Error Count
}

```

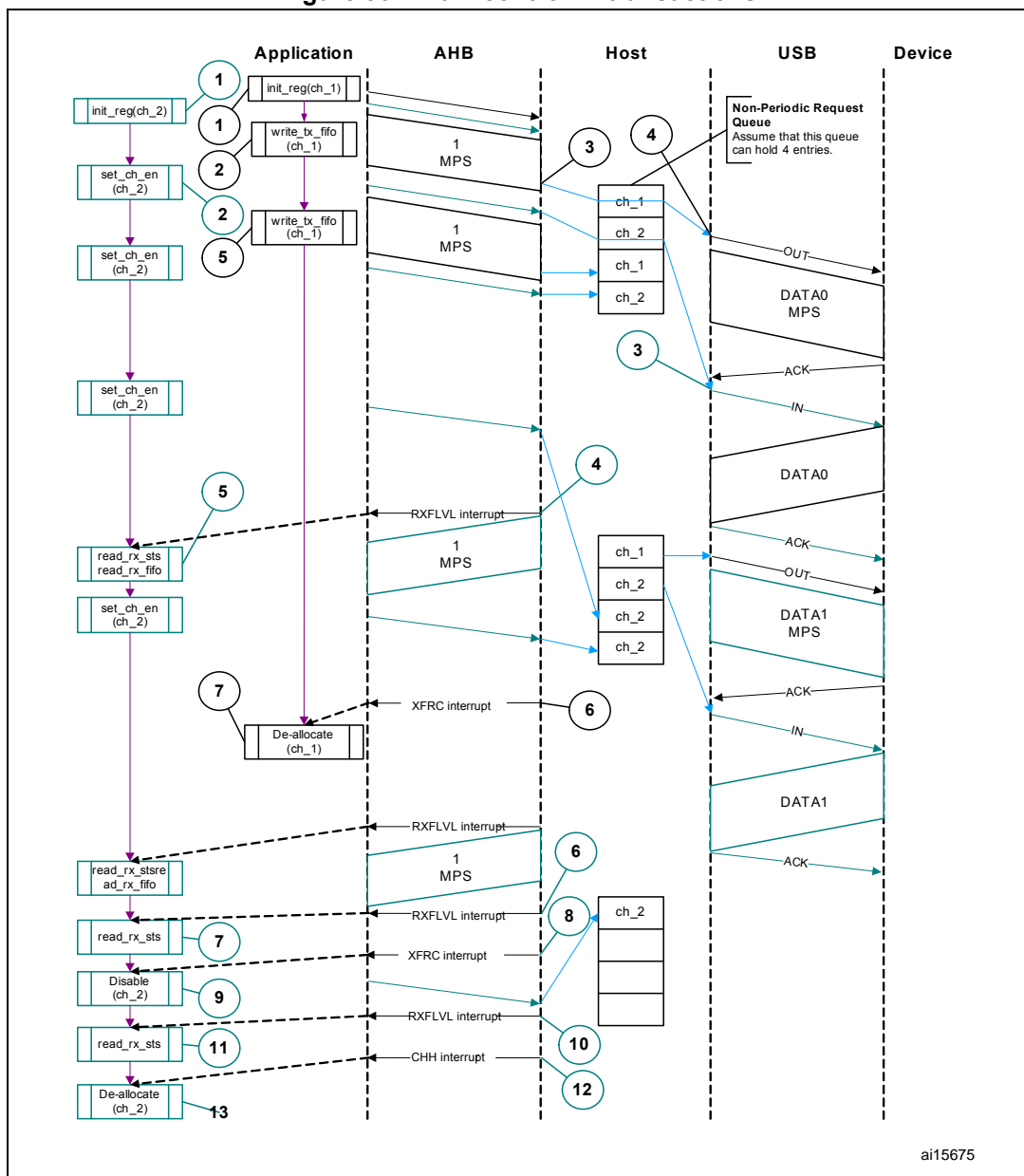
The application is expected to write the requests as and when the Request queue space is available and until the XFRC interrupt is received.

- **Bulk and control IN transactions**

A typical bulk or control IN pipelined transaction-level operation is shown in [Figure 362](#). See channel 2 (ch_2). The assumptions are:

- The application is attempting to receive two maximum-packet-size packets (transfer size = 1 024 bytes).
- The receive FIFO can contain at least one maximum-packet-size packet and two status words per packet (72 bytes for FS).
- The non-periodic request queue depth = 4.

Figure 362. Bulk/control IN transactions

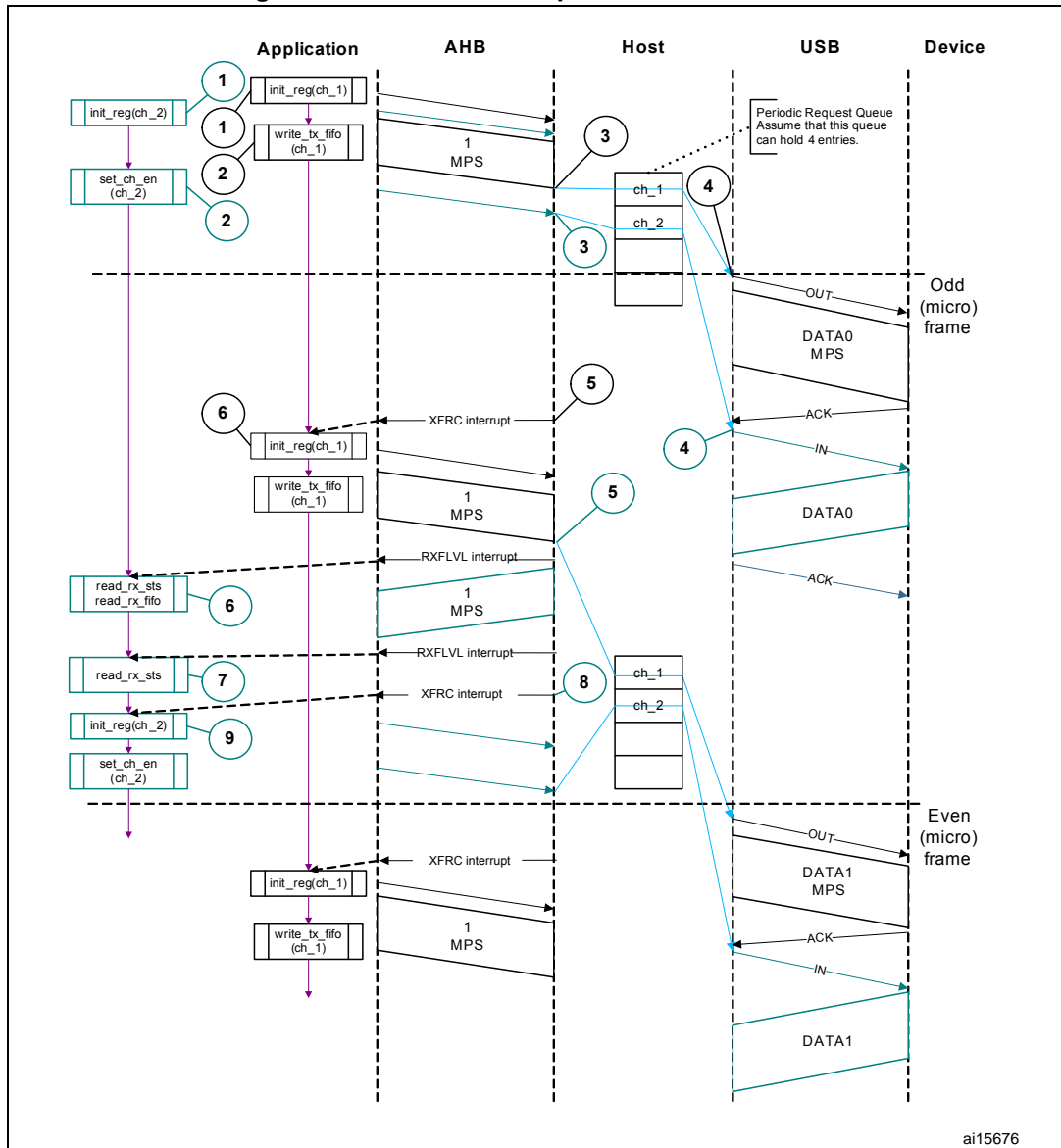


The sequence of operations is as follows:

- a) Initialize channel 2.
- b) Set the CHENA bit in HCCHAR2 to write an IN request to the non-periodic request queue.
- c) The core attempts to send an IN token after completing the current OUT transaction.
- d) The core generates an RXFLVL interrupt as soon as the received packet is written to the receive FIFO.
- e) In response to the RXFLVL interrupt, mask the RXFLVL interrupt and read the received packet status to determine the number of bytes received, then read the receive FIFO accordingly. Following this, unmask the RXFLVL interrupt.

- f) The core generates the RXFLVL interrupt for the transfer completion status entry in the receive FIFO.
 - g) The application must read and ignore the receive packet status when the receive packet status is not an IN data packet (PKTSTS in GRXSTSR \neq 0b0010).
 - h) The core generates the XFRC interrupt as soon as the receive packet status is read.
 - i) In response to the XFRC interrupt, disable the channel and stop writing the OTG_FS_HCCHAR2 register for further requests. The core writes a channel disable request to the non-periodic request queue as soon as the OTG_FS_HCCHAR2 register is written.
 - j) The core generates the RXFLVL interrupt as soon as the halt status is written to the receive FIFO.
 - k) Read and ignore the receive packet status.
 - l) The core generates a CHH interrupt as soon as the halt status is popped from the receive FIFO.
 - m) In response to the CHH interrupt, de-allocate the channel for other transfers.
 - n) Handling non-ACK responses
- **Control transactions**
 Setup, Data, and Status stages of a control transfer must be performed as three separate transfers. Setup-, Data- or Status-stage OUT transactions are performed similarly to the bulk OUT transactions explained previously. Data- or Status-stage IN transactions are performed similarly to the bulk IN transactions explained previously. For all three stages, the application is expected to set the EPTYP field in OTG_FS_HCCHAR1 to Control. During the Setup stage, the application is expected to set the PID field in OTG_FS_HCTSIZ1 to SETUP.
 - **Interrupt OUT transactions**
 A typical interrupt OUT operation is shown in [Figure 363](#). The assumptions are:
 - The application is attempting to send one packet in every frame (up to 1 maximum packet size), starting with the odd frame (transfer size = 1 024 bytes)
 - The periodic transmit FIFO can hold one packet (1 KB)
 - Periodic request queue depth = 4
 The sequence of operations is as follows:
 - a) Initialize and enable channel 1. The application must set the ODDFRM bit in OTG_FS_HCCHAR1.
 - b) Write the first packet for channel 1.
 - c) Along with the last word write of each packet, the OTG_FS host writes an entry to the periodic request queue.
 - d) The OTG_FS host attempts to send an OUT token in the next (odd) frame.
 - e) The OTG_FS host generates an XFRC interrupt as soon as the last packet is transmitted successfully.
 - f) In response to the XFRC interrupt, reinitialize the channel for the next transfer.

Figure 363. Normal interrupt OUT/IN transactions



- Interrupt service routine for interrupt OUT/IN transactions
 - a) Interrupt OUT

```

Unmask (NAK/TXERR/STALL/XFRC/FRMOR)
if (XFRC)
{
    Reset Error Count
    Mask ACK
    De-allocate Channel
}
else
    if (STALL or FRMOR)
    {
        Mask ACK
        Unmask CHH
    }
    
```



```

Disable Channel
if (STALL)
{
    Transfer Done = 1
}
}
else
if (NAK or TXERR)
{
    Rewind Buffer Pointers
    Reset Error Count
    Mask ACK
    Unmask CHH
    Disable Channel
}
else
if (CHH)
{
    Mask CHH
    if (Transfer Done or (Error_count == 3))
    {
        De-allocate Channel
    }
    else
    {
        Re-initialize Channel (in next b_interval - 1 Frame)
    }
}
else
if (ACK)
{
    Reset Error Count
    Mask ACK
}

```

The application uses the NPTXFE interrupt in OTG_FS_GINTSTS to find the transmit FIFO space.

b) Interrupt IN

```

Unmask (NAK/TXERR/XFRC/BBERR/STALL/FRMOR/DTERR)
if (XFRC)
{
    Reset Error Count
    Mask ACK
    if (OTG_FS_HCTSIZx.PKTCNT == 0)
    {
        De-allocate Channel
    }
    else
    {
        Transfer Done = 1
        Unmask CHH
        Disable Channel
    }
}

```

```
    }
  }
else
  if (STALL or FRMOR or NAK or DTERR or BBERR)
  {
    Mask ACK
    Unmask CHH
    Disable Channel
    if (STALL or BBERR)
    {
      Reset Error Count
      Transfer Done = 1
    }
    else
      if (!FRMOR)
      {
        Reset Error Count
      }
  }
else
  if (TXERR)
  {
    Increment Error Count
    Unmask ACK
    Unmask CHH
    Disable Channel
  }
else
  if (CHH)
  {
    Mask CHH
    if (Transfer Done or (Error_count == 3))
    {
      De-allocate Channel
    }
    else
      Re-initialize Channel (in next b_interval - 1 /Frame)
  }
}
else
  if (ACK)
  {
    Reset Error Count
    Mask ACK
```

}

- **Interrupt IN transactions**

The assumptions are:

- The application is attempting to receive one packet (up to 1 maximum packet size) in every frame, starting with odd (transfer size = 1 024 bytes).
- The receive FIFO can hold at least one maximum-packet-size packet and two status words per packet (1 031 bytes).
- Periodic request queue depth = 4.

- **Normal interrupt IN operation**

The sequence of operations is as follows:

- a) Initialize channel 2. The application must set the ODDFRM bit in OTG_FS_HCCHAR2.
- b) Set the CHENA bit in OTG_FS_HCCHAR2 to write an IN request to the periodic request queue.
- c) The OTG_FS host writes an IN request to the periodic request queue for each OTG_FS_HCCHAR2 register write with the CHENA bit set.
- d) The OTG_FS host attempts to send an IN token in the next (odd) frame.
- e) As soon as the IN packet is received and written to the receive FIFO, the OTG_FS host generates an RXFLVL interrupt.
- f) In response to the RXFLVL interrupt, read the received packet status to determine the number of bytes received, then read the receive FIFO accordingly. The application must mask the RXFLVL interrupt before reading the receive FIFO, and unmask after reading the entire packet.
- g) The core generates the RXFLVL interrupt for the transfer completion status entry in the receive FIFO. The application must read and ignore the receive packet status when the receive packet status is not an IN data packet (PKTSTS in GRXSTSR ≠ 0b0010).
- h) The core generates an XFRC interrupt as soon as the receive packet status is read.
- i) In response to the XFRC interrupt, read the PKTCNT field in OTG_FS_HCTSIZ2. If the PKTCNT bit in OTG_FS_HCTSIZ2 is not equal to 0, disable the channel before re-initializing the channel for the next transfer, if any. If PKTCNT bit in

OTG_FS_HCTSIZ2 = 0, reinitialize the channel for the next transfer. This time, the application must reset the ODDFRM bit in OTG_FS_HCCHAR2.

- **Isochronous OUT transactions**

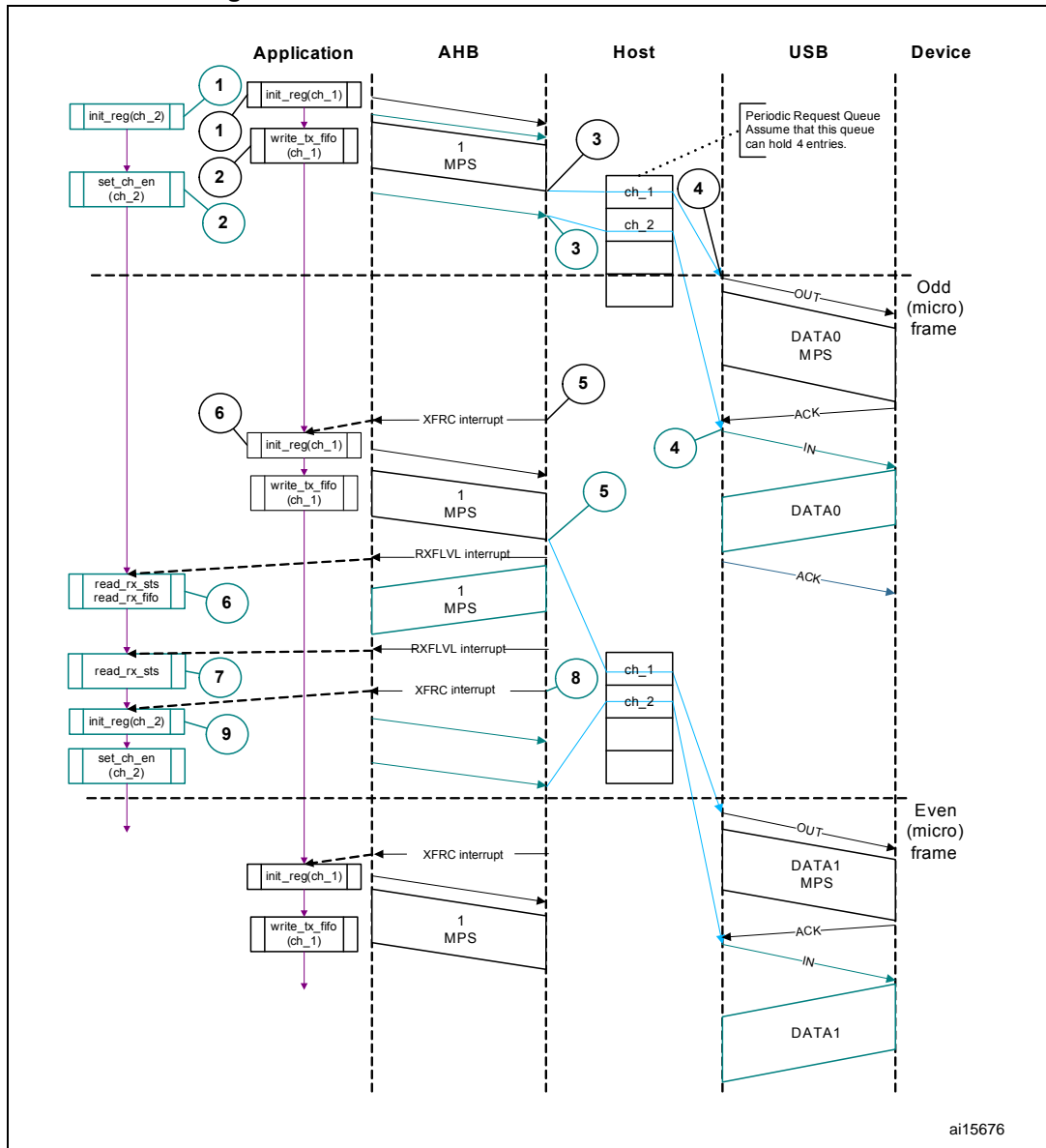
A typical isochronous OUT operation is shown in [Figure 364](#). The assumptions are:

- The application is attempting to send one packet every frame (up to 1 maximum packet size), starting with an odd frame. (transfer size = 1 024 bytes).
- The periodic transmit FIFO can hold one packet (1 KB).
- Periodic request queue depth = 4.

The sequence of operations is as follows:

- a) Initialize and enable channel 1. The application must set the ODDFRM bit in OTG_FS_HCCHAR1.
- b) Write the first packet for channel 1.
- c) Along with the last word write of each packet, the OTG_FS host writes an entry to the periodic request queue.
- d) The OTG_FS host attempts to send the OUT token in the next frame (odd).
- e) The OTG_FS host generates the XFRC interrupt as soon as the last packet is transmitted successfully.
- f) In response to the XFRC interrupt, reinitialize the channel for the next transfer.
- g) Handling non-ACK responses

Figure 364. Normal isochronous OUT/IN transactions



• **Interrupt service routine for isochronous OUT/IN transactions**

Code sample: Isochronous OUT

```

Unmask (FRMOR/XFRC)
if (XFRC)
  {
    De-allocate Channel
  }
else
  if (FRMOR)
  {
    Unmask CHH
    Disable Channel
  }
  
```



```
else
if (CHH)
{
Mask CHH
De-allocate Channel
}
Code sample: Isochronous IN
Unmask (TXERR/XFRC/FRMOR/BBERR)
if (XFRC or FRMOR)
{
if (XFRC and (OTG_FS_HCTSIZx.PKTCNT == 0))
{
Reset Error Count
De-allocate Channel
}
else
{
Unmask CHH
Disable Channel
}
}
else
if (TXERR or BBERR)
{
Increment Error Count
Unmask CHH
Disable Channel
}
else
if (CHH)
{
Mask CHH
if (Transfer Done or (Error_count == 3))
{
De-allocate Channel
}
else
{
Re-initialize Channel
}
}
}
```

- **Isochronous IN transactions**

The assumptions are:

- The application is attempting to receive one packet (up to 1 maximum packet size) in every frame starting with the next odd frame (transfer size = 1 024 bytes).
- The receive FIFO can hold at least one maximum-packet-size packet and two status word per packet (1 031 bytes).
- Periodic request queue depth = 4.

The sequence of operations is as follows:

- a) Initialize channel 2. The application must set the ODDFRM bit in OTG_FS_HCCHAR2.
- b) Set the CHENA bit in OTG_FS_HCCHAR2 to write an IN request to the periodic request queue.
- c) The OTG_FS host writes an IN request to the periodic request queue for each OTG_FS_HCCHAR2 register write with the CHENA bit set.
- d) The OTG_FS host attempts to send an IN token in the next odd frame.
- e) As soon as the IN packet is received and written to the receive FIFO, the OTG_FS host generates an RXFLVL interrupt.
- f) In response to the RXFLVL interrupt, read the received packet status to determine the number of bytes received, then read the receive FIFO accordingly. The application must mask the RXFLVL interrupt before reading the receive FIFO, and unmask it after reading the entire packet.
- g) The core generates an RXFLVL interrupt for the transfer completion status entry in the receive FIFO. This time, the application must read and ignore the receive packet status when the receive packet status is not an IN data packet (PKTSTS bit in OTG_FS_GRXSTSR ≠ 0b0010).
- h) The core generates an XFRC interrupt as soon as the receive packet status is read.
- i) In response to the XFRC interrupt, read the PKTCNT field in OTG_FS_HCTSIZ2. If PKTCNT ≠ 0 in OTG_FS_HCTSIZ2, disable the channel before re-initializing the channel for the next transfer, if any. If PKTCNT = 0 in OTG_FS_HCTSIZ2, reinitialize the channel for the next transfer. This time, the application must reset the ODDFRM bit in OTG_FS_HCCHAR2.

- **Selecting the queue depth**

Choose the periodic and non-periodic request queue depths carefully to match the number of periodic/non-periodic endpoints accessed.

The non-periodic request queue depth affects the performance of non-periodic transfers. The deeper the queue (along with sufficient FIFO size), the more often the core is able to pipeline non-periodic transfers. If the queue size is small, the core is able to put in new requests only when the queue space is freed up.

The core's periodic request queue depth is critical to perform periodic transfers as scheduled. Select the periodic queue depth, based on the number of periodic transfers scheduled in a microframe. If the periodic request queue depth is smaller than the periodic transfers scheduled in a microframe, a frame overrun condition occurs.

- **Handling babble conditions**

OTG_FS controller handles two cases of babble: packet babble and port babble.

Packet babble occurs if the device sends more data than the maximum packet size for

the channel. Port babble occurs if the core continues to receive data from the device at EOF2 (the end of frame 2, which is very close to SOF).

When OTG_FS controller detects a packet babble, it stops writing data into the Rx buffer and waits for the end of packet (EOP). When it detects an EOP, it flushes already written data in the Rx buffer and generates a Babble interrupt to the application.

When OTG_FS controller detects a port babble, it flushes the RxFIFO and disables the port. The core then generates a Port disabled interrupt (HPRTINT in OTG_FS_GINTSTS, PENCHNG in OTG_FS_HPRT). On receiving this interrupt, the application must determine that this is not due to an overcurrent condition (another cause of the Port Disabled interrupt) by checking POCA in OTG_FS_HPRT, then perform a soft reset. The core does not send any more tokens after it has detected a port babble condition.

29.17.5 Device programming model

Endpoint initialization on USB reset

1. Set the NAK bit for all OUT endpoints
 - SNAK = 1 in OTG_FS_DOEPCTLx (for all OUT endpoints)
2. Unmask the following interrupt bits
 - INEP0 = 1 in OTG_FS_DAINMSK (control 0 IN endpoint)
 - OUTEP0 = 1 in OTG_FS_DAINMSK (control 0 OUT endpoint)
 - STUP = 1 in DOEPMSK
 - XFRC = 1 in DOEPMSK
 - XFRC = 1 in DIEPMSK
 - TOC = 1 in DIEPMSK
3. Set up the Data FIFO RAM for each of the FIFOs
 - Program the OTG_FS_GRXFSIZ register, to be able to receive control OUT data and setup data. If thresholding is not enabled, at a minimum, this must be equal to 1 max packet size of control endpoint 0 + 2 words (for the status of the control OUT data packet) + 10 words (for setup packets).
 - Program the OTG_FS_TX0FSIZ register (depending on the FIFO number chosen) to be able to transmit control IN data. At a minimum, this must be equal to 1 max packet size of control endpoint 0.
4. Program the following fields in the endpoint-specific registers for control OUT endpoint 0 to receive a SETUP packet
 - STUPCNT = 3 in OTG_FS_DOEPTSIZ0 (to receive up to 3 back-to-back SETUP packets)

At this point, all initialization required to receive SETUP packets is done.

Endpoint initialization on enumeration completion

1. On the Enumeration Done interrupt (ENUMDNE in OTG_FS_GINTSTS), read the OTG_FS_DSTS register to determine the enumeration speed.
2. Program the MPSIZ field in OTG_FS_DIEPCTL0 to set the maximum packet size. This step configures control endpoint 0. The maximum packet size for a control endpoint depends on the enumeration speed.

At this point, the device is ready to receive SOF packets and is configured to perform control transfers on control endpoint 0.

Endpoint initialization on SetAddress command

This section describes what the application must do when it receives a SetAddress command in a SETUP packet.

1. Program the OTG_FS_DCFG register with the device address received in the SetAddress command
2. Program the core to send out a status IN packet

Endpoint initialization on SetConfiguration/SetInterface command

This section describes what the application must do when it receives a SetConfiguration or SetInterface command in a SETUP packet.

1. When a SetConfiguration command is received, the application must program the endpoint registers to configure them with the characteristics of the valid endpoints in the new configuration.
2. When a SetInterface command is received, the application must program the endpoint registers of the endpoints affected by this command.
3. Some endpoints that were active in the prior configuration or alternate setting are not valid in the new configuration or alternate setting. These invalid endpoints must be deactivated.
4. Unmask the interrupt for each active endpoint and mask the interrupts for all inactive endpoints in the OTG_FS_DAINMSK register.
5. Set up the Data FIFO RAM for each FIFO.
6. After all required endpoints are configured; the application must program the core to send a status IN packet.

At this point, the device core is configured to receive and transmit any type of data packet.

Endpoint activation

This section describes the steps required to activate a device endpoint or to configure an existing device endpoint to a new type.

1. Program the characteristics of the required endpoint into the following fields of the OTG_FS_DIEPCTLx register (for IN or bidirectional endpoints) or the OTG_FS_DOEPCTLx register (for OUT or bidirectional endpoints).
 - Maximum packet size
 - USB active endpoint = 1
 - Endpoint start data toggle (for interrupt and bulk endpoints)
 - Endpoint type
 - TxFIFO number
2. Once the endpoint is activated, the core starts decoding the tokens addressed to that endpoint and sends out a valid handshake for each valid token received for the endpoint.

Endpoint deactivation

This section describes the steps required to deactivate an existing endpoint.

1. In the endpoint to be deactivated, clear the USB active endpoint bit in the OTG_FS_DIEPCTLx register (for IN or bidirectional endpoints) or the OTG_FS_DOEPCTLx register (for OUT or bidirectional endpoints).
2. Once the endpoint is deactivated, the core ignores tokens addressed to that endpoint, which results in a timeout on the USB.

Note: The application must meet the following conditions to set up the device core to handle traffic:
NPTXFEM and RXFLVLM in the OTG_FS_GINTMSK register must be cleared.

29.17.6 Operational model

SETUP and OUT data transfers

This section describes the internal data flow and application-level operations during data OUT transfers and SETUP transactions.

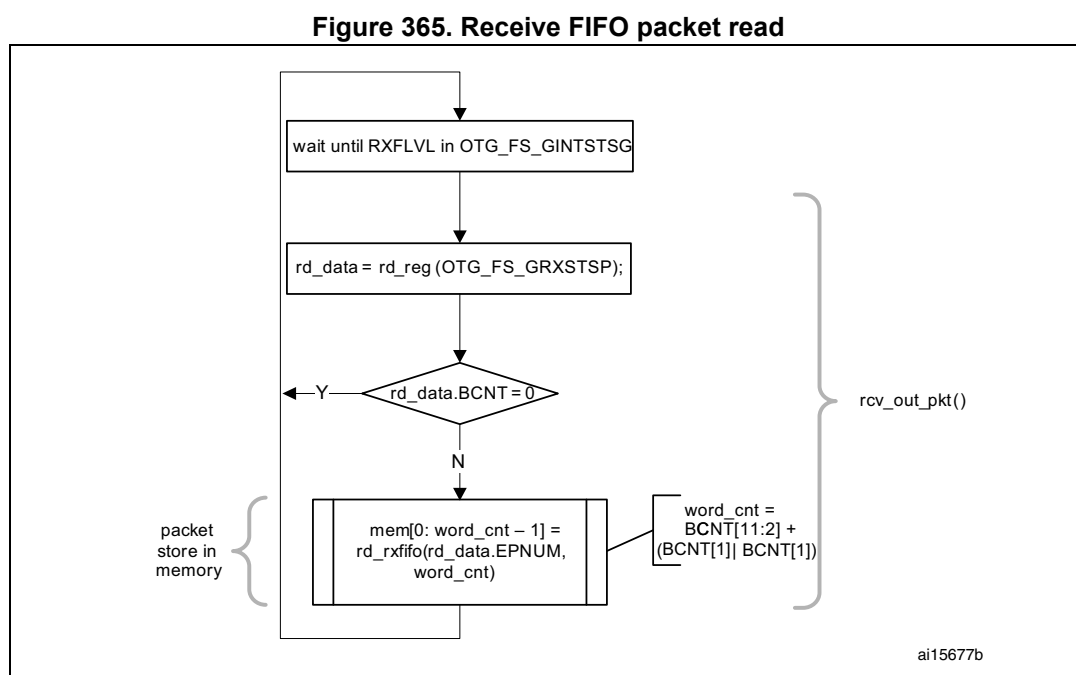
- **Packet read**

This section describes how to read packets (OUT data and SETUP packets) from the receive FIFO.

1. On catching an RXFLVL interrupt (OTG_FS_GINTSTS register), the application must read the Receive status pop register (OTG_FS_GRXSTSP).
2. The application can mask the RXFLVL interrupt (in OTG_FS_GINTSTS) by writing to RXFLVL = 0 (in OTG_FS_GINTMSK), until it has read the packet from the receive FIFO.
3. If the received packet's byte count is not 0, the byte count amount of data is popped from the receive Data FIFO and stored in memory. If the received packet byte count is 0, no data is popped from the receive data FIFO.
4. The receive FIFO's packet status readout indicates one of the following:
 - a) Global OUT NAK pattern:
 PKTSTS = Global OUT NAK, BCNT = 0x000, EPNUM = Don't Care (0x0), DPID = Don't Care (0b00).
 These data indicate that the global OUT NAK bit has taken effect.
 - b) SETUP packet pattern:
 PKTSTS = SETUP, BCNT = 0x008, EPNUM = Control EP Num, DPID = D0.
 These data indicate that a SETUP packet for the specified endpoint is now available for reading from the receive FIFO.
 - c) Setup stage done pattern:
 PKTSTS = Setup Stage Done, BCNT = 0x0, EPNUM = Control EP Num, DPID = Don't Care (0b00).
 These data indicate that the Setup stage for the specified endpoint has completed and the Data stage has started. After this entry is popped from the receive FIFO, the core asserts a Setup interrupt on the specified control OUT endpoint.
 - d) Data OUT packet pattern:
 PKTSTS = DataOUT, BCNT = size of the received data OUT packet ($0 \leq BCNT \leq 1024$), EPNUM = EPNUM on which the packet was received, DPID = Actual Data PID.

- e) Data transfer completed pattern:
 PKTSTS = Data OUT Transfer Done, BCNT = 0x0, EPNUM = OUT EP Num on which the data transfer is complete, DPID = Don't Care (0b00).
 These data indicate that an OUT data transfer for the specified OUT endpoint has completed. After this entry is popped from the receive FIFO, the core asserts a Transfer Completed interrupt on the specified OUT endpoint.
- 5. After the data payload is popped from the receive FIFO, the RXFLVL interrupt (OTG_FS_GINTSTS) must be unmasked.
- 6. Steps 1–5 are repeated every time the application detects assertion of the interrupt line due to RXFLVL in OTG_FS_GINTSTS. Reading an empty receive FIFO can result in undefined core behavior.

Figure 365 provides a flowchart of the above procedure.



• **SETUP transactions**

This section describes how the core handles SETUP packets and the application's sequence for handling SETUP transactions.

• **Application requirements**

1. To receive a SETUP packet, the STUPCNT field (OTG_FS_DOEPTSIZx) in a control OUT endpoint must be programmed to a non-zero value. When the application programs the STUPCNT field to a non-zero value, the core receives SETUP packets and writes them to the receive FIFO, irrespective of the NAK status and EPENA bit setting in OTG_FS_DOEPCTLx. The STUPCNT field is decremented every time the control endpoint receives a SETUP packet. If the STUPCNT field is not programmed to a proper value before receiving a SETUP packet, the core still receives the SETUP packet and decrements the STUPCNT field, but the application may not be able to

determine the correct number of SETUP packets received in the Setup stage of a control transfer.

- STUPCNT = 3 in OTG_FS_DOEPTSIZEx
2. The application must always allocate some extra space in the Receive data FIFO, to be able to receive up to three SETUP packets on a control endpoint.
 - The space to be reserved is 10 words. Three words are required for the first SETUP packet, 1 word is required for the Setup stage done word and 6 words are required to store two extra SETUP packets among all control endpoints.
 - 3 words per SETUP packet are required to store 8 bytes of SETUP data and 4 bytes of SETUP status (Setup packet pattern). The core reserves this space in the receive data FIFO to write SETUP data only, and never uses this space for data packets.
 3. The application must read the 2 words of the SETUP packet from the receive FIFO.
 4. The application must read and discard the Setup stage done word from the receive FIFO.

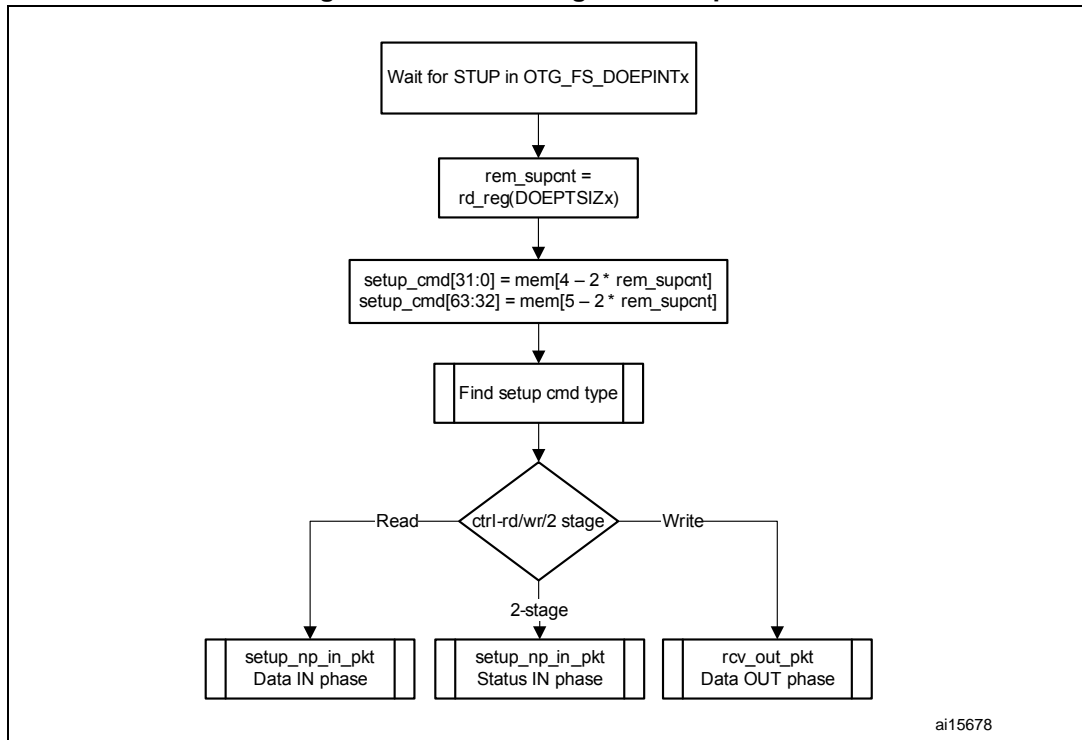
• **Internal data flow**

1. When a SETUP packet is received, the core writes the received data to the receive FIFO, without checking for available space in the receive FIFO and irrespective of the endpoint's NAK and STALL bit settings.
 - The core internally sets the IN NAK and OUT NAK bits for the control IN/OUT endpoints on which the SETUP packet was received.
2. For every SETUP packet received on the USB, 3 words of data are written to the receive FIFO, and the STUPCNT field is decremented by 1.
 - The first word contains control information used internally by the core
 - The second word contains the first 4 bytes of the SETUP command
 - The third word contains the last 4 bytes of the SETUP command
3. When the Setup stage changes to a Data IN/OUT stage, the core writes an entry (Setup stage done word) to the receive FIFO, indicating the completion of the Setup stage.
4. On the AHB side, SETUP packets are emptied by the application.
5. When the application pops the Setup stage done word from the receive FIFO, the core interrupts the application with an STUP interrupt (OTG_FS_DOEPINTx), indicating it can process the received SETUP packet.
 - The core clears the endpoint enable bit for control OUT endpoints.

• **Application programming sequence**

1. Program the OTG_FS_DOEPTSIZEx register.
 - STUPCNT = 3
2. Wait for the RXFLVL interrupt (OTG_FS_GINTSTS) and empty the data packets from the receive FIFO.
3. Assertion of the STUP interrupt (OTG_FS_DOEPINTx) marks a successful completion of the SETUP Data Transfer.
 - On this interrupt, the application must read the OTG_FS_DOEPTSIZEx register to determine the number of SETUP packets received and process the last received SETUP packet.

Figure 366. Processing a SETUP packet



• **Handling more than three back-to-back SETUP packets**

Per the USB 2.0 specification, normally, during a SETUP packet error, a host does not send more than three back-to-back SETUP packets to the same endpoint. However, the USB 2.0 specification does not limit the number of back-to-back SETUP packets a host can send to the same endpoint. When this condition occurs, the OTG_FS controller generates an interrupt (B2BSTUP in OTG_FS_DOEPINTx).

• **Setting the global OUT NAK**

Internal data flow

1. When the application sets the Global OUT NAK (SGONAK bit in OTG_FS_DCTL), the core stops writing data, except SETUP packets, to the receive FIFO. Irrespective of the space availability in the receive FIFO, non-isochronous OUT tokens receive a NAK handshake response, and the core ignores isochronous OUT data packets
2. The core writes the Global OUT NAK pattern to the receive FIFO. The application must reserve enough receive FIFO space to write this data pattern.
3. When the application pops the Global OUT NAK pattern word from the receive FIFO, the core sets the GONAKEFF interrupt (OTG_FS_GINTSTS).
4. Once the application detects this interrupt, it can assume that the core is in Global OUT NAK mode. The application can clear this interrupt by clearing the SGONAK bit in OTG_FS_DCTL.

Application programming sequence

1. To stop receiving any kind of data in the receive FIFO, the application must set the Global OUT NAK bit by programming the following field:
 - SGONAK = 1 in OTG_FS_DCTL
2. Wait for the assertion of the GONAKEFF interrupt in OTG_FS_GINTSTS. When asserted, this interrupt indicates that the core has stopped receiving any type of data except SETUP packets.
3. The application can receive valid OUT packets after it has set SGONAK in OTG_FS_DCTL and before the core asserts the GONAKEFF interrupt (OTG_FS_GINTSTS).
4. The application can temporarily mask this interrupt by writing to the GINAKEFFM bit in the OTG_FS_GINTMSK register.
 - GINAKEFFM = 0 in the OTG_FS_GINTMSK register
5. Whenever the application is ready to exit the Global OUT NAK mode, it must clear the SGONAK bit in OTG_FS_DCTL. This also clears the GONAKEFF interrupt (OTG_FS_GINTSTS).
 - OTG_FS_DCTL = 1 in CGONAK
6. If the application has masked this interrupt earlier, it must be unmasked as follows:
 - GINAKEFFM = 1 in GINTMSK

• Disabling an OUT endpoint

The application must use this sequence to disable an OUT endpoint that it has enabled.

Application programming sequence

1. Before disabling any OUT endpoint, the application must enable Global OUT NAK mode in the core.
 - SGONAK = 1 in OTG_FS_DCTL
2. Wait for the GONAKEFF interrupt (OTG_FS_GINTSTS)
3. Disable the required OUT endpoint by programming the following fields:
 - EPDIS = 1 in OTG_FS_DOEPCTLx
 - SNAK = 1 in OTG_FS_DOEPCTLx
4. Wait for the EPDISD interrupt (OTG_FS_DOEPINTx), which indicates that the OUT endpoint is completely disabled. When the EPDISD interrupt is asserted, the core also clears the following bits:
 - EPDIS = 0 in OTG_FS_DOEPCTLx
 - EPENA = 0 in OTG_FS_DOEPCTLx
5. The application must clear the Global OUT NAK bit to start receiving data from other non-disabled OUT endpoints.
 - SGONAK = 0 in OTG_FS_DCTL

• Transfer Stop Programming for OUT endpoints

The application must use the following programming sequence to stop any transfers (because of an interrupt from the host, typically a reset).

Sequence of operations:

1. Enable all OUT endpoints by setting
 - EPENA = 1 in all OTG_FS_DOEPCTLx registers.
 2. Flush the RxFIFO as follows
 - Poll OTG_FS_GRSTCTL.AHBIDL until it is 1. This indicates that AHB master is idle.
 - Perform read modify write operation on OTG_FS_GRSTCTL.RXFFLSH = 1
 - Poll OTG_FS_GRSTCTL.RXFFLSH until it is 0, but also using a timeout of less than 10 milli-seconds (corresponds to minimum reset signaling duration). If 0 is seen before the timeout, then the RxFIFO flush is successful. If at the moment the timeout occurs, there is still a 1, (this may be due to a packet on EP0 coming from the host) then go back (once only) to the previous step (“Perform read modify write operation”).
 3. Before disabling any OUT endpoint, the application must enable Global OUT NAK mode in the core, according to the instructions in [“Setting the global OUT NAK on page 1057”](#). This ensures that data in the RxFIFO is sent to the application successfully. Set SGONAK = 1 in OTG_FS_DCTL
 4. Wait for the GONAKEFF interrupt (OTG_FS_GINTSTS)
 5. Disable all active OUT endpoints by programming the following register bits:
 - EPDIS = 1 in registers OTG_FS_DOEPCTLx
 - SNAK = 1 in registers OTG_FS_DOEPCTLx
 6. Wait for the EPDIS interrupt in OTG_FS_DOEPINTx for each OUT endpoint programmed in the previous step. The EPDIS interrupt in OTG_FS_DOEPINTx indicates that the corresponding OUT endpoint is completely disabled. When the EPDIS interrupt is asserted, the following bits are cleared:
 - EPENA = 0 in registers OTG_FS_DOEPCTLx
 - EPDIS = 0 in registers OTG_FS_DOEPCTLx
 - SNAK = 0 in registers OTG_FS_DOEPCTLx
- **Generic non-isochronous OUT data transfers**

This section describes a regular non-isochronous OUT data transfer (control, bulk, or interrupt).

Application requirements

1. Before setting up an OUT transfer, the application must allocate a buffer in the memory to accommodate all data to be received as part of the OUT transfer.
2. For OUT transfers, the transfer size field in the endpoint’s transfer size register must be a multiple of the maximum packet size of the endpoint, adjusted to the word boundary.
 - $\text{transfer size}[\text{EPNUM}] = n \times (\text{MPSIZ}[\text{EPNUM}] + 4 - (\text{MPSIZ}[\text{EPNUM}] \bmod 4))$
 - $\text{packet count}[\text{EPNUM}] = n$
 - $n > 0$
3. On any OUT endpoint interrupt, the application must read the endpoint’s transfer size register to calculate the size of the payload in the memory. The received payload size can be less than the programmed transfer size.
 - $\text{Payload size in memory} = \text{application programmed initial transfer size} - \text{core updated final transfer size}$

- Number of USB packets in which this payload was received = application programmed initial packet count – core updated final packet count

Internal data flow

1. The application must set the transfer size and packet count fields in the endpoint-specific registers, clear the NAK bit, and enable the endpoint to receive the data.
2. Once the NAK bit is cleared, the core starts receiving data and writes it to the receive FIFO, as long as there is space in the receive FIFO. For every data packet received on the USB, the data packet and its status are written to the receive FIFO. Every packet (maximum packet size or short packet) written to the receive FIFO decrements the packet count field for that endpoint by 1.
 - OUT data packets received with bad data CRC are flushed from the receive FIFO automatically.
 - After sending an ACK for the packet on the USB, the core discards non-isochronous OUT data packets that the host, which cannot detect the ACK, re-sends. The application does not detect multiple back-to-back data OUT packets on the same endpoint with the same data PID. In this case the packet count is not decremented.
 - If there is no space in the receive FIFO, isochronous or non-isochronous data packets are ignored and not written to the receive FIFO. Additionally, non-isochronous OUT tokens receive a NAK handshake reply.
 - In all the above three cases, the packet count is not decremented because no data are written to the receive FIFO.
3. When the packet count becomes 0 or when a short packet is received on the endpoint, the NAK bit for that endpoint is set. Once the NAK bit is set, the isochronous or non-isochronous data packets are ignored and not written to the receive FIFO, and non-isochronous OUT tokens receive a NAK handshake reply.
4. After the data are written to the receive FIFO, the application reads the data from the receive FIFO and writes it to external memory, one packet at a time per endpoint.
5. At the end of every packet write on the AHB to external memory, the transfer size for the endpoint is decremented by the size of the written packet.
6. The OUT data transfer completed pattern for an OUT endpoint is written to the receive FIFO on one of the following conditions:
 - The transfer size is 0 and the packet count is 0
 - The last OUT data packet written to the receive FIFO is a short packet ($0 \leq \text{packet size} < \text{maximum packet size}$)
7. When either the application pops this entry (OUT data transfer completed), a transfer completed interrupt is generated for the endpoint and the endpoint enable is cleared.

Application programming sequence

1. Program the OTG_FS_DOEPTSIZx register for the transfer size and the corresponding packet count.
2. Program the OTG_FS_DOEPCTLx register with the endpoint characteristics, and set the EPENA and CNAK bits.
 - EPENA = 1 in OTG_FS_DOEPCTLx
 - CNAK = 1 in OTG_FS_DOEPCTLx
3. Wait for the RXFLVL interrupt (in OTG_FS_GINTSTS) and empty the data packets from the receive FIFO.
 - This step can be repeated many times, depending on the transfer size.
4. Asserting the XFRC interrupt (OTG_FS_DOEPINTx) marks a successful completion of the non-isochronous OUT data transfer.
5. Read the OTG_FS_DOEPTSIZx register to determine the size of the received data payload.

• Generic isochronous OUT data transfer

This section describes a regular isochronous OUT data transfer.

Application requirements

1. All the application requirements for non-isochronous OUT data transfers also apply to isochronous OUT data transfers.
2. For isochronous OUT data transfers, the transfer size and packet count fields must always be set to the number of maximum-packet-size packets that can be received in a single frame and no more. Isochronous OUT data transfers cannot span more than 1 frame.
3. The application must read all isochronous OUT data packets from the receive FIFO (data and status) before the end of the periodic frame (EOPF interrupt in OTG_FS_GINTSTS).
4. To receive data in the following frame, an isochronous OUT endpoint must be enabled after the EOPF (OTG_FS_GINTSTS) and before the SOF (OTG_FS_GINTSTS).

Internal data flow

1. The internal data flow for isochronous OUT endpoints is the same as that for non-isochronous OUT endpoints, but for a few differences.
2. When an isochronous OUT endpoint is enabled by setting the Endpoint Enable and clearing the NAK bits, the Even/Odd frame bit must also be set appropriately. The core receives data on an isochronous OUT endpoint in a particular frame only if the following condition is met:
 - EONUM (in OTG_FS_DOEPCTLx) = SOFFN[0] (in OTG_FS_DSTS)
3. When the application completely reads an isochronous OUT data packet (data and status) from the receive FIFO, the core updates the RXDPID field in OTG_FS_DOEPTSIZx with the data PID of the last isochronous OUT data packet read from the receive FIFO.

Application programming sequence

1. Program the OTG_FS_DOEPTSIZx register for the transfer size and the corresponding packet count
2. Program the OTG_FS_DOEPCTLx register with the endpoint characteristics and set the Endpoint Enable, ClearNAK, and Even/Odd frame bits.
 - EPENA = 1
 - CNAK = 1
 - EONUM = (0: Even/1: Odd)
3. Wait for the RXFLVL interrupt (in OTG_FS_GINTSTS) and empty the data packets from the receive FIFO
 - This step can be repeated many times, depending on the transfer size.
4. The assertion of the XFRC interrupt (in OTG_FS_DOEPINTx) marks the completion of the isochronous OUT data transfer. This interrupt does not necessarily mean that the data in memory are good.
5. This interrupt cannot always be detected for isochronous OUT transfers. Instead, the application can detect the IISOXFRM interrupt in OTG_FS_GINTSTS.
6. Read the OTG_FS_DOEPTSIZx register to determine the size of the received transfer and to determine the validity of the data received in the frame. The application must treat the data received in memory as valid only if one of the following conditions is met:
 - RXDPID = D0 (in OTG_FS_DOEPTSIZx) and the number of USB packets in which this payload was received = 1
 - RXDPID = D1 (in OTG_FS_DOEPTSIZx) and the number of USB packets in which this payload was received = 2
 - RXDPID = D2 (in OTG_FS_DOEPTSIZx) and the number of USB packets in which this payload was received = 3

The number of USB packets in which this payload was received =
Application programmed initial packet count – Core updated final packet count

The application can discard invalid data packets.

- **Incomplete isochronous OUT data transfers**

This section describes the application programming sequence when isochronous OUT data packets are dropped inside the core.

Internal data flow

1. For isochronous OUT endpoints, the XFRC interrupt (in OTG_FS_DOEPINTx) may not always be asserted. If the core drops isochronous OUT data packets, the application could fail to detect the XFRC interrupt (OTG_FS_DOEPINTx) under the following circumstances:
 - When the receive FIFO cannot accommodate the complete ISO OUT data packet, the core drops the received ISO OUT data
 - When the isochronous OUT data packet is received with CRC errors
 - When the isochronous OUT token received by the core is corrupted
 - When the application is very slow in reading the data from the receive FIFO
2. When the core detects an end of periodic frame before transfer completion to all isochronous OUT endpoints, it asserts the incomplete Isochronous OUT data interrupt (IISOXFRM in OTG_FS_GINTSTS), indicating that an XFRC interrupt (in OTG_FS_DOEPINTx) is not asserted on at least one of the isochronous OUT

endpoints. At this point, the endpoint with the incomplete transfer remains enabled, but no active transfers remain in progress on this endpoint on the USB.

Application programming sequence

1. Asserting the IISOXFRM interrupt (OTG_FS_GINTSTS) indicates that in the current frame, at least one isochronous OUT endpoint has an incomplete transfer.
2. If this occurs because isochronous OUT data is not completely emptied from the endpoint, the application must ensure that the application empties all isochronous OUT data (data and status) from the receive FIFO before proceeding.
 - When all data are emptied from the receive FIFO, the application can detect the XFRC interrupt (OTG_FS_DOEPINTx). In this case, the application must re-enable the endpoint to receive isochronous OUT data in the next frame.
3. When it receives an IISOXFRM interrupt (in OTG_FS_GINTSTS), the application must read the control registers of all isochronous OUT endpoints (OTG_FS_DOEPCTLx) to determine which endpoints had an incomplete transfer in the current microframe. An endpoint transfer is incomplete if both the following conditions are met:
 - EONUM bit (in OTG_FS_DOEPCTLx) = SOFFN[0] (in OTG_FS_DSTS)
 - EPENA = 1 (in OTG_FS_DOEPCTLx)
4. The previous step must be performed before the SOF interrupt (in OTG_FS_GINTSTS) is detected, to ensure that the current frame number is not changed.
5. For isochronous OUT endpoints with incomplete transfers, the application must discard the data in the memory and disable the endpoint by setting the EPDIS bit in OTG_FS_DOEPCTLx.
6. Wait for the EPDIS interrupt (in OTG_FS_DOEPINTx) and enable the endpoint to receive new data in the next frame.
 - Because the core can take some time to disable the endpoint, the application may not be able to receive the data in the next frame after receiving bad isochronous data.

- **Stalling a non-isochronous OUT endpoint**

This section describes how the application can stall a non-isochronous endpoint.

1. Put the core in the Global OUT NAK mode.
2. Disable the required endpoint
 - When disabling the endpoint, instead of setting the SNAK bit in OTG_FS_DOEPCTL, set STALL = 1 (in OTG_FS_DOEPCTL).
The STALL bit always takes precedence over the NAK bit.
3. When the application is ready to end the STALL handshake for the endpoint, the STALL bit (in OTG_FS_DOEPCTLx) must be cleared.
4. If the application is setting or clearing a STALL for an endpoint due to a SetFeature.Endpoint Halt or ClearFeature.Endpoint Halt command, the STALL bit must be set or cleared before the application sets up the Status stage transfer on the control endpoint.

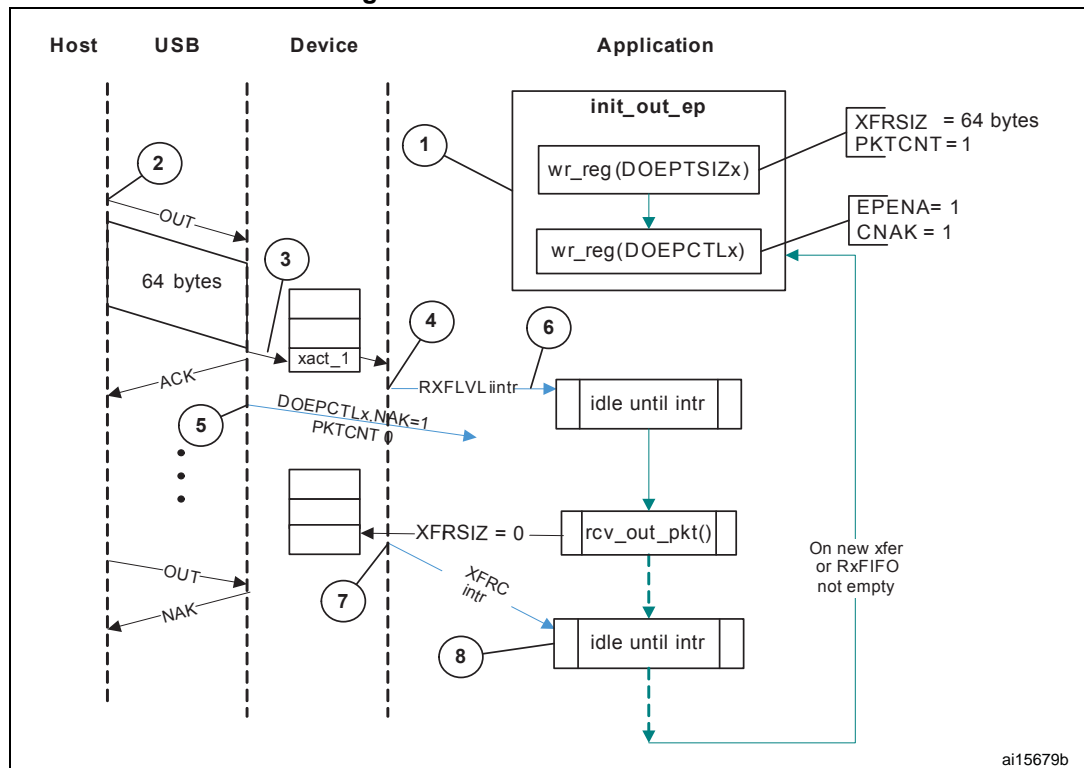
Examples

This section describes and depicts some fundamental transfer types and scenarios.

- Bulk OUT transaction

Figure 367 depicts the reception of a single Bulk OUT Data packet from the USB to the AHB and describes the events involved in the process.

Figure 367. Bulk OUT transaction



After a SetConfiguration/SetInterface command, the application initializes all OUT endpoints by setting CNAK = 1 and EPENA = 1 (in OTG_FS_DOEPCTLx), and setting a suitable XFRSIZ and PKTCNT in the OTG_FS_DOEPTSIZx register.

1. host attempts to send data (OUT token) to an endpoint.
2. When the core receives the OUT token on the USB, it stores the packet in the RxFIFO because space is available there.
3. After writing the complete packet in the RxFIFO, the core then asserts the RXFLVL interrupt (in OTG_FS_GINTSTS).
4. On receiving the PKTCNT number of USB packets, the core internally sets the NAK bit for this endpoint to prevent it from receiving any more packets.
5. The application processes the interrupt and reads the data from the RxFIFO.
6. When the application has read all the data (equivalent to XFRSIZ), the core generates an XFRC interrupt (in OTG_FS_DOEPINTx).
7. The application processes the interrupt and uses the setting of the XFRC interrupt bit (in OTG_FS_DOEPINTx) to determine that the intended transfer is complete.

IN data transfers

• **Packet write**

This section describes how the application writes data packets to the endpoint FIFO when dedicated transmit FIFOs are enabled.

1. The application can either choose the polling or the interrupt mode.

- In polling mode, the application monitors the status of the endpoint transmit data FIFO by reading the OTG_FS_DTXFSTSx register, to determine if there is enough space in the data FIFO.
 - In interrupt mode, the application waits for the TXFE interrupt (in OTG_FS_DIEPINTx) and then reads the OTG_FS_DTXFSTSx register, to determine if there is enough space in the data FIFO.
 - To write a single non-zero length data packet, there must be space to write the entire packet in the data FIFO.
 - To write zero length packet, the application must not look at the FIFO space.
2. Using one of the above mentioned methods, when the application determines that there is enough space to write a transmit packet, the application must first write into the endpoint control register, before writing the data into the data FIFO. Typically, the application, must do a read modify write on the OTG_FS_DIEPCTLx register to avoid modifying the contents of the register, except for setting the Endpoint Enable bit.

The application can write multiple packets for the same endpoint into the transmit FIFO, if space is available. For periodic IN endpoints, the application must write packets only for one microframe. It can write packets for the next periodic transaction only after getting transfer complete for the previous transaction.

- **Setting IN endpoint NAK**

Internal data flow

1. When the application sets the IN NAK for a particular endpoint, the core stops transmitting data on the endpoint, irrespective of data availability in the endpoint's transmit FIFO.
2. Non-isochronous IN tokens receive a NAK handshake reply
 - Isochronous IN tokens receive a zero-data-length packet reply
3. The core asserts the INEPNE (IN endpoint NAK effective) interrupt in OTG_FS_DIEPINTx in response to the SNAK bit in OTG_FS_DIEPCTLx.
4. Once this interrupt is seen by the application, the application can assume that the endpoint is in IN NAK mode. This interrupt can be cleared by the application by setting the CNAK bit in OTG_FS_DIEPCTLx.

Application programming sequence

1. To stop transmitting any data on a particular IN endpoint, the application must set the IN NAK bit. To set this bit, the following field must be programmed.
 - SNAK = 1 in OTG_FS_DIEPCTLx
2. Wait for assertion of the INEPNE interrupt in OTG_FS_DIEPINTx. This interrupt indicates that the core has stopped transmitting data on the endpoint.
3. The core can transmit valid IN data on the endpoint after the application has set the NAK bit, but before the assertion of the NAK Effective interrupt.
4. The application can mask this interrupt temporarily by writing to the INEPNEM bit in DIEPMSK.
 - INEPNEM = 0 in DIEPMSK
5. To exit Endpoint NAK mode, the application must clear the NAK status bit (NAKSTS) in OTG_FS_DIEPCTLx. This also clears the INEPNE interrupt (in OTG_FS_DIEPINTx).
 - CNAK = 1 in OTG_FS_DIEPCTLx
6. If the application masked this interrupt earlier, it must be unmasked as follows:

- INEPNEM = 1 in DIEPMSK

- **IN endpoint disable**

Use the following sequence to disable a specific IN endpoint that has been previously enabled.

Application programming sequence

1. The application must stop writing data on the AHB for the IN endpoint to be disabled.
2. The application must set the endpoint in NAK mode.
 - SNAK = 1 in OTG_FS_DIEPCTLx
3. Wait for the INEPNE interrupt in OTG_FS_DIEPINTx.
4. Set the following bits in the OTG_FS_DIEPCTLx register for the endpoint that must be disabled.
 - EPDIS = 1 in OTG_FS_DIEPCTLx
 - SNAK = 1 in OTG_FS_DIEPCTLx
5. Assertion of the EPDISD interrupt in OTG_FS_DIEPINTx indicates that the core has completely disabled the specified endpoint. Along with the assertion of the interrupt, the core also clears the following bits:
 - EPENA = 0 in OTG_FS_DIEPCTLx
 - EPDIS = 0 in OTG_FS_DIEPCTLx
6. The application must read the OTG_FS_DIEPTSIZx register for the periodic IN EP, to calculate how much data on the endpoint were transmitted on the USB.
7. The application must flush the data in the Endpoint transmit FIFO, by setting the following fields in the OTG_FS_GRSTCTL register:
 - TXFNUM (in OTG_FS_GRSTCTL) = Endpoint transmit FIFO number
 - TXFFLSH in (OTG_FS_GRSTCTL) = 1

The application must poll the OTG_FS_GRSTCTL register, until the TXFFLSH bit is cleared by the core, which indicates the end of flush operation. To transmit new data on this endpoint, the application can re-enable the endpoint at a later point.

- **Transfer Stop Programming for IN endpoints**

The application must use the following programming sequence to stop any transfers (because of an interrupt from the host, typically a reset).

Sequence of operations:

1. Disable the IN endpoint by setting:
 - EPDIS = 1 in all OTG_FS_DIEPCTLx registers
2. Wait for the EPDIS interrupt in OTG_FS_DIEPINTx, which indicates that the IN endpoint is completely disabled. When the EPDIS interrupt is asserted the following bits are cleared:
 - EPDIS = 0 in OTG_FS_DIEPCTLx
 - EPENA = 0 in OTG_FS_DIEPCTLx
3. Flush the TxFIFO by programming the following bits:
 - TXFFLSH = 1 in OTG_FS_GRSTCTL
 - TXFNUM = “FIFO number specific to endpoint” in OTG_FS_GRSTCTL
4. The application can start polling till TXFFLSH in OTG_FS_GRSTCTL is cleared. When this bit is cleared, it ensures that there is no data left in the Tx FIFO.

- **Generic non-periodic IN data transfers**

Application requirements

1. Before setting up an IN transfer, the application must ensure that all data to be transmitted as part of the IN transfer are part of a single buffer.
2. For IN transfers, the Transfer Size field in the Endpoint Transfer Size register denotes a payload that constitutes multiple maximum-packet-size packets and a single short packet. This short packet is transmitted at the end of the transfer.
 - To transmit a few maximum-packet-size packets and a short packet at the end of the transfer:

$$\text{Transfer size}[\text{EPNUM}] = x \times \text{MPSIZ}[\text{EPNUM}] + \text{sp}$$
 If (sp > 0), then packet count[EPNUM] = x + 1.
 Otherwise, packet count[EPNUM] = x
 - To transmit a single zero-length data packet:

$$\text{Transfer size}[\text{EPNUM}] = 0$$

$$\text{Packet count}[\text{EPNUM}] = 1$$
 - To transmit a few maximum-packet-size packets and a zero-length data packet at the end of the transfer, the application must split the transfer into two parts. The first sends maximum-packet-size data packets and the second sends the zero-length data packet alone.

$$\text{First transfer: transfer size}[\text{EPNUM}] = x \times \text{MPSIZ}[\text{epnum}]; \text{ packet count} = n;$$

$$\text{Second transfer: transfer size}[\text{EPNUM}] = 0; \text{ packet count} = 1;$$
3. Once an endpoint is enabled for data transfers, the core updates the Transfer size register. At the end of the IN transfer, the application must read the Transfer size register to determine how much data posted in the transmit FIFO have already been sent on the USB.
4. Data fetched into transmit FIFO = Application-programmed initial transfer size – core-updated final transfer size
 - Data transmitted on USB = (application-programmed initial packet count – Core updated final packet count) × MPSIZ[EPNUM]
 - Data yet to be transmitted on USB = (Application-programmed initial transfer size – data transmitted on USB)

Internal data flow

1. The application must set the transfer size and packet count fields in the endpoint-specific registers and enable the endpoint to transmit the data.
2. The application must also write the required data to the transmit FIFO for the endpoint.
3. Every time a packet is written into the transmit FIFO by the application, the transfer size for that endpoint is decremented by the packet size. The data is fetched from the memory by the application, until the transfer size for the endpoint becomes 0. After writing the data into the FIFO, the “number of packets in FIFO” count is incremented (this is a 3-bit count, internally maintained by the core for each IN endpoint transmit FIFO. The maximum number of packets maintained by the core at any time in an IN endpoint FIFO is eight). For zero-length packets, a separate flag is set for each FIFO, without any data in the FIFO.
4. Once the data are written to the transmit FIFO, the core reads them out upon receiving an IN token. For every non-isochronous IN data packet transmitted with an ACK handshake, the packet count for the endpoint is decremented by one, until the packet count is zero. The packet count is not decremented on a timeout.
5. For zero length packets (indicated by an internal zero length flag), the core sends out a zero-length packet for the IN token and decrements the packet count field.
6. If there are no data in the FIFO for a received IN token and the packet count field for that endpoint is zero, the core generates an “IN token received when TxFIFO is empty” (ITTXFE) Interrupt for the endpoint, provided that the endpoint NAK bit is not set. The core responds with a NAK handshake for non-isochronous endpoints on the USB.
7. The core internally rewinds the FIFO pointers and no timeout interrupt is generated.
8. When the transfer size is 0 and the packet count is 0, the transfer complete (XFRC) interrupt for the endpoint is generated and the endpoint enable is cleared.

Application programming sequence

1. Program the OTG_FS_DIEPTSIZx register with the transfer size and corresponding packet count.
2. Program the OTG_FS_DIEPCTLx register with the endpoint characteristics and set the CNAK and EPENA (Endpoint Enable) bits.
3. When transmitting non-zero length data packet, the application must poll the OTG_FS_DTXFSTSx register (where x is the FIFO number associated with that endpoint) to determine whether there is enough space in the data FIFO. The application can optionally use TXFE (in OTG_FS_DIEPINTx) before writing the data.

- **Generic periodic IN data transfers**

This section describes a typical periodic IN data transfer.

Application requirements

1. Application requirements 1, 2, 3, and 4 of *Generic non-periodic IN data transfers* also apply to periodic IN data transfers, except for a slight modification of requirement 2.
 - The application can only transmit multiples of maximum-packet-size data packets or multiples of maximum-packet-size packets, plus a short packet at the end. To transmit a few maximum-packet-size packets and a short packet at the end of the transfer, the following conditions must be met:

$$\text{transfer size[EPNUM]} = x \times \text{MPSIZ[EPNUM]} + \text{sp}$$
 (where x is an integer ≥ 0 , and $0 \leq \text{sp} < \text{MPSIZ[EPNUM]}$)

$$\text{If } (\text{sp} > 0), \text{ packet count[EPNUM]} = x + 1$$
 Otherwise, $\text{packet count[EPNUM]} = x;$

- MCNT[EPNUM] = packet count[EPNUM]
- The application cannot transmit a zero-length data packet at the end of a transfer. It can transmit a single zero-length data packet by itself. To transmit a single zero-length data packet:
 - transfer size[EPNUM] = 0
 - packet count[EPNUM] = 1
 - MCNT[EPNUM] = packet count[EPNUM]
2. The application can only schedule data transfers one frame at a time.
 - $(MCNT - 1) \times MPSIZ \leq XFERSIZ \leq MCNT \times MPSIZ$
 - PKTCNT = MCNT (in OTG_FS_DIEPTSIZx)
 - If $XFERSIZ < MCNT \times MPSIZ$, the last data packet of the transfer is a short packet.
 - Note that: MCNT is in OTG_FS_DIEPTSIZx, MPSIZ is in OTG_FS_DIEPCTLx, PKTCNT is in OTG_FS_DIEPTSIZx and XFERSIZ is in OTG_FS_DIEPTSIZx
 3. The complete data to be transmitted in the frame must be written into the transmit FIFO by the application, before the IN token is received. Even when 1 word of the data to be transmitted per frame is missing in the transmit FIFO when the IN token is received, the core behaves as when the FIFO is empty. When the transmit FIFO is empty:
 - A zero data length packet would be transmitted on the USB for isochronous IN endpoints
 - A NAK handshake would be transmitted on the USB for interrupt IN endpoints

Internal data flow

1. The application must set the transfer size and packet count fields in the endpoint-specific registers and enable the endpoint to transmit the data.
2. The application must also write the required data to the associated transmit FIFO for the endpoint.
3. Every time the application writes a packet to the transmit FIFO, the transfer size for that endpoint is decremented by the packet size. The data are fetched from application memory until the transfer size for the endpoint becomes 0.
4. When an IN token is received for a periodic endpoint, the core transmits the data in the FIFO, if available. If the complete data payload (complete packet, in dedicated FIFO mode) for the frame is not present in the FIFO, then the core generates an IN token received when TxFIFO empty interrupt for the endpoint.
 - A zero-length data packet is transmitted on the USB for isochronous IN endpoints
 - A NAK handshake is transmitted on the USB for interrupt IN endpoints
5. The packet count for the endpoint is decremented by 1 under the following conditions:
 - For isochronous endpoints, when a zero- or non-zero-length data packet is transmitted
 - For interrupt endpoints, when an ACK handshake is transmitted
 - When the transfer size and packet count are both 0, the transfer completed interrupt for the endpoint is generated and the endpoint enable is cleared.
6. At the “Periodic frame Interval” (controlled by PFIVL in OTG_FS_DCFG), when the core finds non-empty any of the isochronous IN endpoint FIFOs scheduled for the current frame non-empty, the core generates an IISOIXFR interrupt in OTG_FS_GINTSTS.

Application programming sequence

1. Program the OTG_FS_DIEPCTLx register with the endpoint characteristics and set the CNAK and EPENA bits.
2. Write the data to be transmitted in the next frame to the transmit FIFO.
3. Asserting the ITTXFE interrupt (in OTG_FS_DIEPINTx) indicates that the application has not yet written all data to be transmitted to the transmit FIFO.
4. If the interrupt endpoint is already enabled when this interrupt is detected, ignore the interrupt. If it is not enabled, enable the endpoint so that the data can be transmitted on the next IN token attempt.
5. Asserting the XFRC interrupt (in OTG_FS_DIEPINTx) with no ITTXFE interrupt in OTG_FS_DIEPINTx indicates the successful completion of an isochronous IN transfer. A read to the OTG_FS_DIEPTSIZx register must give transfer size = 0 and packet count = 0, indicating all data were transmitted on the USB.
6. Asserting the XFRC interrupt (in OTG_FS_DIEPINTx), with or without the ITTXFE interrupt (in OTG_FS_DIEPINTx), indicates the successful completion of an interrupt IN transfer. A read to the OTG_FS_DIEPTSIZx register must give transfer size = 0 and packet count = 0, indicating all data were transmitted on the USB.
7. Asserting the incomplete isochronous IN transfer (IISOIXFR) interrupt in OTG_FS_GINTSTS with none of the aforementioned interrupts indicates the core did not receive at least 1 periodic IN token in the current frame.

- **Incomplete isochronous IN data transfers**

This section describes what the application must do on an incomplete isochronous IN data transfer.

Internal data flow

1. An isochronous IN transfer is treated as incomplete in one of the following conditions:
 - a) The core receives a corrupted isochronous IN token on at least one isochronous IN endpoint. In this case, the application detects an incomplete isochronous IN transfer interrupt (IISOIXFR in OTG_FS_GINTSTS).
 - b) The application is slow to write the complete data payload to the transmit FIFO and an IN token is received before the complete data payload is written to the FIFO. In this case, the application detects an IN token received when TxFIFO empty interrupt in OTG_FS_DIEPINTx. The application can ignore this interrupt, as it eventually results in an incomplete isochronous IN transfer interrupt (IISOIXFR in OTG_FS_GINTSTS) at the end of periodic frame.

The core transmits a zero-length data packet on the USB in response to the received IN token.
2. The application must stop writing the data payload to the transmit FIFO as soon as possible.
3. The application must set the NAK bit and the disable bit for the endpoint.
4. The core disables the endpoint, clears the disable bit, and asserts the Endpoint Disable interrupt for the endpoint.

Application programming sequence

1. The application can ignore the IN token received when TxFIFO empty interrupt in OTG_FS_DIEPINTx on any isochronous IN endpoint, as it eventually results in an incomplete isochronous IN transfer interrupt (in OTG_FS_GINTSTS).

2. Assertion of the incomplete isochronous IN transfer interrupt (in OTG_FS_GINTSTS) indicates an incomplete isochronous IN transfer on at least one of the isochronous IN endpoints.
3. The application must read the Endpoint Control register for all isochronous IN endpoints to detect endpoints with incomplete IN data transfers.
4. The application must stop writing data to the Periodic Transmit FIFOs associated with these endpoints on the AHB.
5. Program the following fields in the OTG_FS_DIEPCTLx register to disable the endpoint:
 - SNAK = 1 in OTG_FS_DIEPCTLx
 - EPDIS = 1 in OTG_FS_DIEPCTLx
6. The assertion of the Endpoint Disabled interrupt in OTG_FS_DIEPINTx indicates that the core has disabled the endpoint.
 - At this point, the application must flush the data in the associated transmit FIFO or overwrite the existing data in the FIFO by enabling the endpoint for a new transfer in the next microframe. To flush the data, the application must use the OTG_FS_GRSTCTL register.

- **Stalling non-isochronous IN endpoints**

This section describes how the application can stall a non-isochronous endpoint.

Application programming sequence

1. Disable the IN endpoint to be stalled. Set the STALL bit as well.
2. EPDIS = 1 in OTG_FS_DIEPCTLx, when the endpoint is already enabled
 - STALL = 1 in OTG_FS_DIEPCTLx
 - The STALL bit always takes precedence over the NAK bit
3. Assertion of the Endpoint Disabled interrupt (in OTG_FS_DIEPINTx) indicates to the application that the core has disabled the specified endpoint.
4. The application must flush the non-periodic or periodic transmit FIFO, depending on the endpoint type. In case of a non-periodic endpoint, the application must re-enable the other non-periodic endpoints that do not need to be stalled, to transmit data.
5. Whenever the application is ready to end the STALL handshake for the endpoint, the STALL bit must be cleared in OTG_FS_DIEPCTLx.
6. If the application sets or clears a STALL bit for an endpoint due to a SetFeature.Endpoint Halt command or ClearFeature.Endpoint Halt command, the STALL bit must be set or cleared before the application sets up the Status stage transfer on the control endpoint.

Special case: stalling the control OUT endpoint

The core must stall IN/OUT tokens if, during the data stage of a control transfer, the host sends more IN/OUT tokens than are specified in the SETUP packet. In this case, the application must enable the ITTXFE interrupt in OTG_FS_DIEPINTx and the OTEPDIS interrupt in OTG_FS_DOEPINTx during the data stage of the control transfer, after the core has transferred the amount of data specified in the SETUP packet. Then, when the application receives this interrupt, it must set the STALL bit in the corresponding endpoint control register, and clear this interrupt.

29.17.7 Worst case response time

When the OTG_FS controller acts as a device, there is a worst case response time for any tokens that follow an isochronous OUT. This worst case response time depends on the AHB clock frequency.

The core registers are in the AHB domain, and the core does not accept another token before updating these register values. The worst case is for any token following an isochronous OUT, because for an isochronous transaction, there is no handshake and the next token could come sooner. This worst case value is 7 PHY clocks when the AHB clock is the same as the PHY clock. When the AHB clock is faster, this value is smaller.

If this worst case condition occurs, the core responds to bulk/interrupt tokens with a NAK and drops isochronous and SETUP tokens. The host interprets this as a timeout condition for SETUP and retries the SETUP packet. For isochronous transfers, the Incomplete isochronous IN transfer interrupt (IISOIXFR) and Incomplete isochronous OUT transfer interrupt (IISOOXFR) inform the application that isochronous IN/OUT packets were dropped.

Choosing the value of TRDT in OTG_FS_GUSBCFG

The value in TRDT (OTG_FS_GUSBCFG) is the time it takes for the MAC, in terms of PHY clocks after it has received an IN token, to get the FIFO status, and thus the first data from the PFC block. This time involves the synchronization delay between the PHY and AHB clocks. The worst case delay for this is when the AHB clock is the same as the PHY clock. In this case, the delay is 5 clocks.

Once the MAC receives an IN token, this information (token received) is synchronized to the AHB clock by the PFC (the PFC runs on the AHB clock). The PFC then reads the data from the SPRAM and writes them into the dual clock source buffer. The MAC then reads the data out of the source buffer (4 deep).

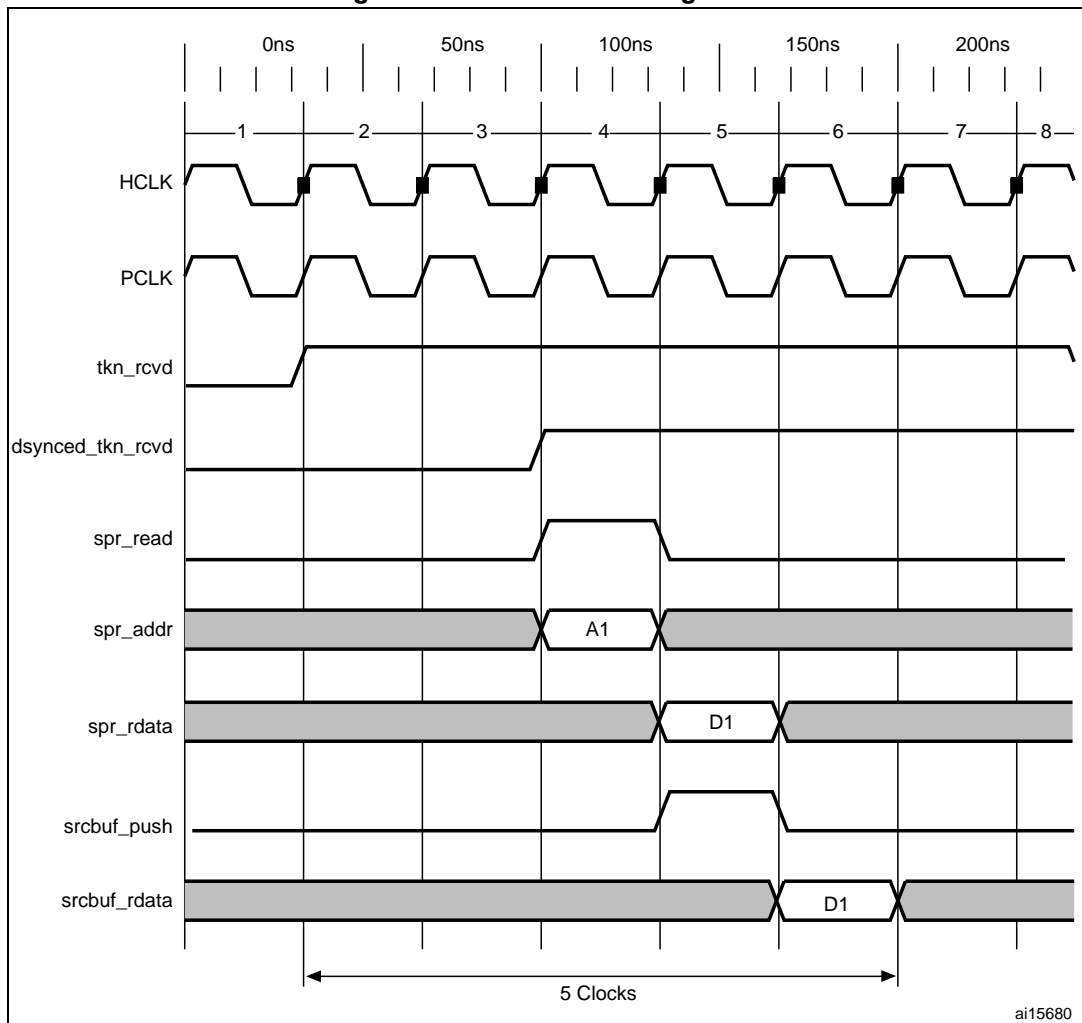
If the AHB is running at a higher frequency than the PHY, the application can use a smaller value for TRDT (in OTG_FS_GUSBCFG).

Figure 368 has the following signals:

- `tkn_rcvd`: Token received information from MAC to PFC
- `dynced_tkn_rcvd`: Doubled sync `tkn_rcvd`, from PCLK to HCLK domain
- `spr_read`: Read to SPRAM
- `spr_addr`: Address to SPRAM
- `spr_rdata`: Read data from SPRAM
- `srcbuf_push`: Push to the source buffer
- `srcbuf_rdata`: Read data from the source buffer. Data seen by MAC

Refer to [Table 156: TRDT values](#) for the values of TRDT versus AHB clock frequency.

Figure 368. TRDT max timing case



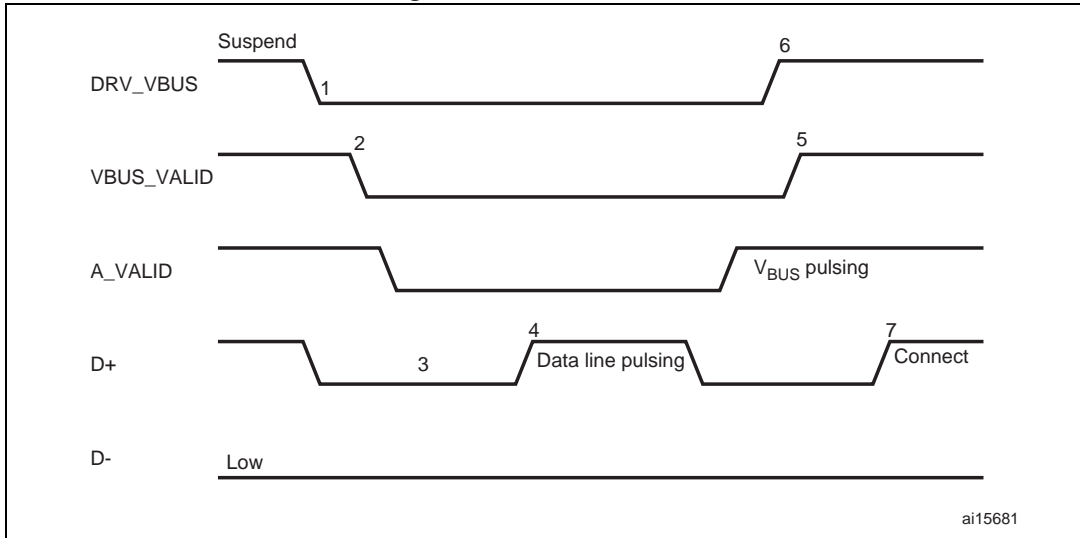
29.17.8 OTG programming model

The OTG_FS controller is an OTG device supporting HNP and SRP. When the core is connected to an “A” plug, it is referred to as an A-device. When the core is connected to a “B” plug it is referred to as a B-device. In host mode, the OTG_FS controller turns off V_{BUS} to conserve power. SRP is a method by which the B-device signals the A-device to turn on V_{BUS} power. A device must perform both data-line pulsing and V_{BUS} pulsing, but a host can detect either data-line pulsing or V_{BUS} pulsing for SRP. HNP is a method by which the B-device negotiates and switches to host role. In Negotiated mode after HNP, the B-device suspends the bus and reverts to the device role.

A-device session request protocol

The application must set the SRP-capable bit in the Core USB configuration register. This enables the OTG_FS controller to detect SRP as an A-device.

Figure 369. A-device SRP

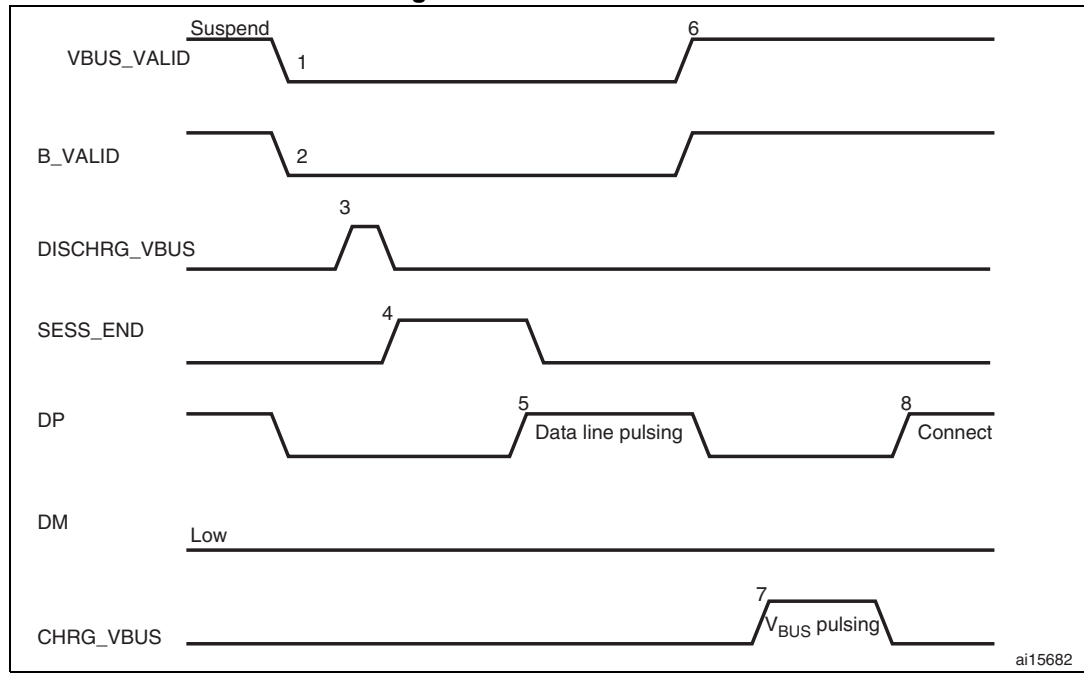


1. DRV_VBUS = V_{BUS} drive signal to the PHY
 VBUS_VALID = V_{BUS} valid signal from PHY
 A_VALID = A-peripheral V_{BUS} level signal to PHY
 D+ = Data plus line
 D- = Data minus line
1. To save power, the application suspends and turns off port power when the bus is idle by writing the port suspend and port power bits in the host port control and status register.
2. PHY indicates port power off by deasserting the VBUS_VALID signal.
3. The device must detect SE0 for at least 2 ms to start SRP when V_{BUS} power is off.
4. To initiate SRP, the device turns on its data line pull-up resistor for 5 to 10 ms. The OTG_FS controller detects data-line pulsing.
5. The device drives V_{BUS} above the A-device session valid (2.0 V minimum) for V_{BUS} pulsing.
 The OTG_FS controller interrupts the application on detecting SRP. The Session request detected bit is set in Global interrupt status register (SRQINT set in OTG_FS_GINTSTS).
6. The application must service the Session request detected interrupt and turn on the port power bit by writing the port power bit in the host port control and status register. The PHY indicates port power-on by asserting the VBUS_VALID signal.
7. When the USB is powered, the device connects, completing the SRP process.

B-device session request protocol

The application must set the SRP-capable bit in the Core USB configuration register. This enables the OTG_FS controller to initiate SRP as a B-device. SRP is a means by which the OTG_FS controller can request a new session from the host.

Figure 370. B-device SRP



- 1. VBUS_VALID = V_{BUS} valid signal from PHY
- B_VALID = B-peripheral valid session to PHY
- DISCHRG_VBUS = discharge signal to PHY
- SESS_END = session end signal to PHY
- CHRGR_VBUS = charge V_{BUS} signal to PHY
- DP = Data plus line
- DM = Data minus line

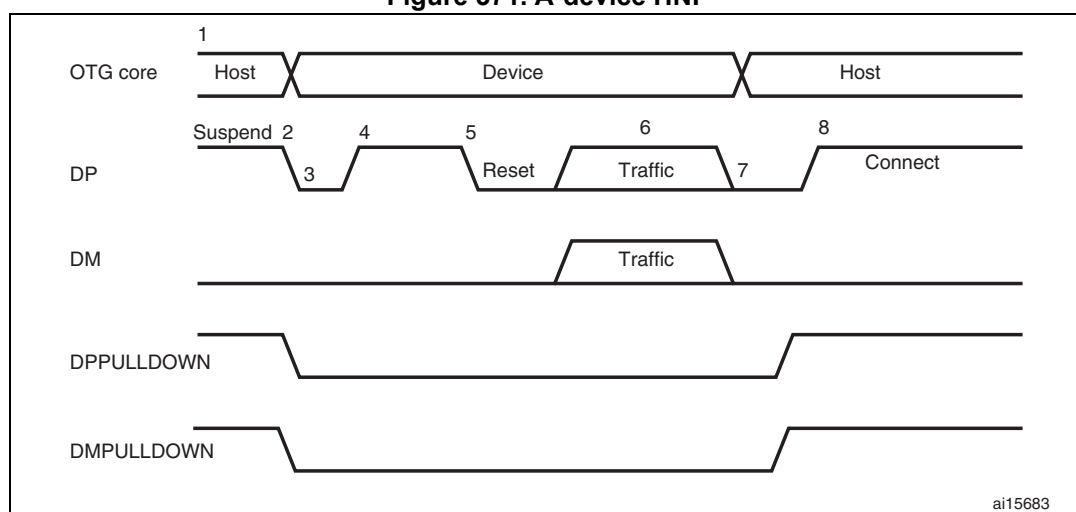
1. To save power, the host suspends and turns off port power when the bus is idle. The OTG_FS controller sets the early suspend bit in the Core interrupt register after 3 ms of bus idleness. Following this, the OTG_FS controller sets the USB suspend bit in the Core interrupt register. The OTG_FS controller informs the PHY to discharge V_{BUS}.
2. The PHY indicates the session's end to the device. This is the initial condition for SRP. The OTG_FS controller requires 2 ms of SE0 before initiating SRP. For a USB 1.1 full-speed serial transceiver, the application must wait until V_{BUS} discharges to 0.2 V after BSVLD (in OTG_FS_GOTGCTL) is deasserted. This discharge time can be obtained from the transceiver vendor and varies from one transceiver to another.
3. The USB OTG core informs the PHY to speed up V_{BUS} discharge.
4. The application initiates SRP by writing the session request bit in the OTG Control and status register. The OTG_FS controller perform data-line pulsing followed by V_{BUS} pulsing.
5. The host detects SRP from either the data-line or V_{BUS} pulsing, and turns on V_{BUS}. The PHY indicates V_{BUS} power-on to the device.

6. The OTG_FS controller performs V_{BUS} pulsing.
The host starts a new session by turning on V_{BUS} , indicating SRP success. The OTG_FS controller interrupts the application by setting the session request success status change bit in the OTG interrupt status register. The application reads the session request success bit in the OTG control and status register.
7. When the USB is powered, the OTG_FS controller connects, completing the SRP process.

A-device host negotiation protocol

HNP switches the USB host role from the A-device to the B-device. The application must set the HNP-capable bit in the Core USB configuration register to enable the OTG_FS controller to perform HNP as an A-device.

Figure 371. A-device HNP



1. DPPULLDOWN = signal from core to PHY to enable/disable the pull-down on the DP line inside the PHY.
DMPULLDOWN = signal from core to PHY to enable/disable the pull-down on the DM line inside the PHY.
1. The OTG_FS controller sends the B-device a SetFeature b_hnp_enable descriptor to enable HNP support. The B-device's ACK response indicates that the B-device supports HNP. The application must set host Set HNP Enable bit in the OTG Control

and status register to indicate to the OTG_FS controller that the B-device supports HNP.

2. When it has finished using the bus, the application suspends by writing the Port suspend bit in the host port control and status register.
3. When the B-device observes a USB suspend, it disconnects, indicating the initial condition for HNP. The B-device initiates HNP only when it must switch to the host role; otherwise, the bus continues to be suspended.

The OTG_FS controller sets the host negotiation detected interrupt in the OTG interrupt status register, indicating the start of HNP.

The OTG_FS controller deasserts the DM pull down and DM pull down in the PHY to indicate a device role. The PHY enables the OTG_FS_DP pull-up resistor to indicate a connect for B-device.

The application must read the current mode bit in the OTG Control and status register to determine device mode operation.

4. The B-device detects the connection, issues a USB reset, and enumerates the OTG_FS controller for data traffic.
5. The B-device continues the host role, initiating traffic, and suspends the bus when done.

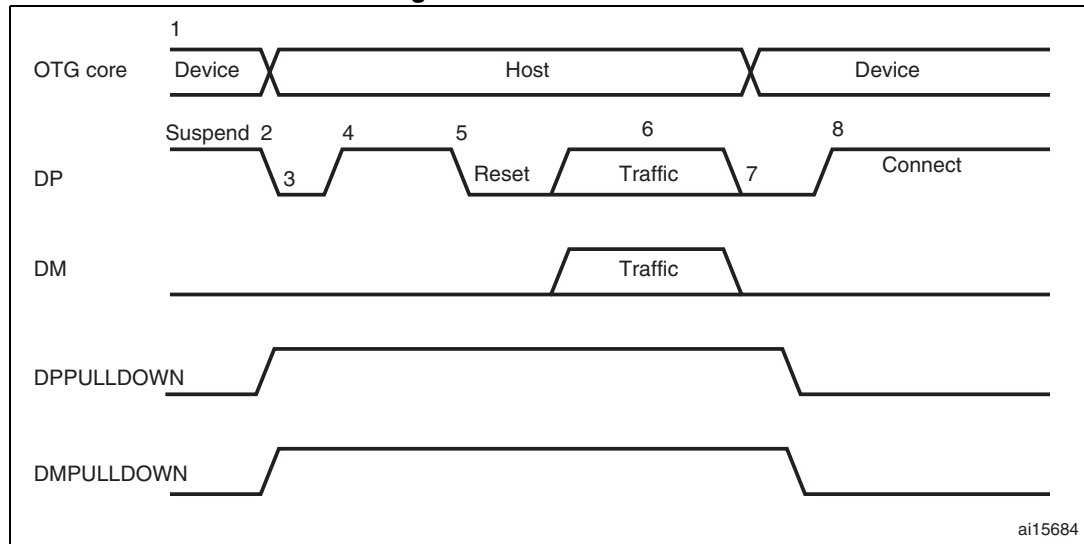
The OTG_FS controller sets the early suspend bit in the Core interrupt register after 3 ms of bus idleness. Following this, the OTG_FS controller sets the USB Suspend bit in the Core interrupt register.

6. In Negotiated mode, the OTG_FS controller detects the suspend, disconnects, and switches back to the host role. The OTG_FS controller asserts the DM pull down and DM pull down in the PHY to indicate its assumption of the host role.
7. The OTG_FS controller sets the Connector ID status change interrupt in the OTG Interrupt Status register. The application must read the connector ID status in the OTG Control and Status register to determine the OTG_FS controller operation as an A-device. This indicates the completion of HNP to the application. The application must read the Current mode bit in the OTG control and status register to determine host mode operation.
8. The B-device connects, completing the HNP process.

B-device host negotiation protocol

HNP switches the USB host role from B-device to A-device. The application must set the HNP-capable bit in the Core USB configuration register to enable the OTG_FS controller to perform HNP as a B-device.

Figure 372. B-device HNP



1. DPPULLDOWN = signal from core to PHY to enable/disable the pull-down on the DP line inside the PHY.
DMPULLDOWN = signal from core to PHY to enable/disable the pull-down on the DM line inside the PHY.
1. The A-device sends the SetFeature b_hnp_enable descriptor to enable HNP support. The OTG_FS controller's ACK response indicates that it supports HNP. The application must set the device HNP enable bit in the OTG Control and status register to indicate HNP support.
The application sets the HNP request bit in the OTG Control and status register to indicate to the OTG_FS controller to initiate HNP.
2. When it has finished using the bus, the A-device suspends by writing the Port suspend bit in the host port control and status register.
The OTG_FS controller sets the Early suspend bit in the Core interrupt register after 3 ms of bus idleness. Following this, the OTG_FS controller sets the USB suspend bit in the Core interrupt register.
The OTG_FS controller disconnects and the A-device detects SE0 on the bus, indicating HNP. The OTG_FS controller asserts the DP pull down and DM pull down in the PHY to indicate its assumption of the host role.
The A-device responds by activating its OTG_FS_DP pull-up resistor within 3 ms of detecting SE0. The OTG_FS controller detects this as a connect.
The OTG_FS controller sets the host negotiation success status change interrupt in the OTG Interrupt status register, indicating the HNP status. The application must read the host negotiation success bit in the OTG Control and status register to determine host negotiation success. The application must read the current Mode bit in the Core interrupt register (OTG_FS_GINTSTS) to determine host mode operation.
3. The application sets the reset bit (PRST in OTG_FS_HPRT) and the OTG_FS controller issues a USB reset and enumerates the A-device for data traffic.

4. The OTG_FS controller continues the host role of initiating traffic, and when done, suspends the bus by writing the Port suspend bit in the host port control and status register.
5. In Negotiated mode, when the A-device detects a suspend, it disconnects and switches back to the host role. The OTG_FS controller deasserts the DP pull down and DM pull down in the PHY to indicate the assumption of the device role.
6. The application must read the current mode bit in the Core interrupt (OTG_FS_GINTSTS) register to determine the host mode operation.
7. The OTG_FS controller connects, completing the HNP process.

30 USB on-the-go high-speed (OTG_HS)

This section applies to the whole STM32F20x and STM32F21x family, unless otherwise specified.

30.1 OTG_HS introduction

Portions Copyright (c) 2004, 2005 Synopsys, Inc. All rights reserved. Used with permission.

This section presents the architecture and the programming model of the OTG_HS controller.

The following acronyms are used throughout the section:

FS	full-speed
HS	High-speed
LS	Low-speed
USB	Universal serial bus
OTG	On-the-go
PHY	Physical layer
MAC	Media access controller
PFC	Packet FIFO controller
UTMI	USB Transceiver Macrocell Interface
ULPI	UTMI+ Low Pin Interface

References are made to the following documents:

- USB On-The-Go Supplement, Revision 1.3
- Universal Serial Bus Revision 2.0 Specification

The OTG_HS is a dual-role device (DRD) controller that supports both peripheral and host functions and is fully compliant with the *On-The-Go Supplement to the USB 2.0 Specification*. It can also be configured as a host-only or peripheral-only controller, fully compliant with the *USB 2.0 Specification*. In host mode, the OTG_HS supports high-speed (HS, 480 Mbits/s), full-speed (FS, 12 Mbits/s) and low-speed (LS, 1.5 Mbits/s) transfers whereas in peripheral mode, it only supports high-speed (HS, 480Mbits/s) and full-speed (FS, 12 Mbits/s) transfers. The OTG_HS supports both HNP and SRP. The only external device required is a charge pump for VBUS in OTG mode.

30.2 OTG_HS main features

The main features can be divided into three categories: general, host-mode and peripheral-mode features.

30.2.1 General features

The OTG_HS interface main features are the following:

- It is USB-IF certified in compliance with the Universal Serial Bus Revision 2.0 Specification
- It supports 3 PHY interfaces
 - An on-chip full-speed PHY
 - An ULPI interface for external high-speed PHY.
- It supports the host negotiation protocol (HNP) and the session request protocol (SRP)
- It allows the host to turn V_{BUS} off to save power in OTG applications, with no need for external components
- It allows to monitor V_{BUS} levels using internal comparators
- It supports dynamic host-peripheral role switching
- It is software-configurable to operate as:
 - An SRP-capable USB HS/FS peripheral (B-device)
 - An SRP-capable USB HS/FS/low-speed host (A-device)
 - An USB OTG FS dual-role device
- It supports HS/FS SOFs as well as low-speed (LS) keep-alive tokens with:
 - SOF pulse PAD output capability
 - SOF pulse internal connection to timer 2 (TIM2)
 - Configurable framing period
 - Configurable end-of-frame interrupt
- It embeds an internal DMA with shareholding support and software selectable AHB burst type in DMA mode
- It has power saving features such as system clock stop during USB suspend, switching off of the digital core internal clock domains, PHY and DFIFO power management
- It features a dedicated 4-Kbyte data RAM with advanced FIFO management:
 - The memory partition can be configured into different FIFOs to allow flexible and efficient use of RAM
 - Each FIFO can contain multiple packets
 - Memory allocation is performed dynamically
 - The FIFO size can be configured to values that are not powers of 2 to allow the use of contiguous memory locations
- It ensures a maximum USB bandwidth of up to one frame without application intervention

30.2.2 Host-mode features

The OTG_HS interface features in host mode are the following:

- It requires an external charge pump to generate V_{BUS}
- It has up to 12 host channels (pipes), each channel being dynamically reconfigurable to support any kind of USB transfer
- It features a built-in hardware scheduler holding:
 - Up to 8 interrupt plus isochronous transfer requests in the periodic hardware queue
 - Up to 8 control plus bulk transfer requests in the nonperiodic hardware queue
- It manages a shared RX FIFO, a periodic TX FIFO, and a nonperiodic TX FIFO for efficient usage of the USB data RAM
- It features dynamic trimming capability of SOF framing period in host mode.

30.2.3 Peripheral-mode features

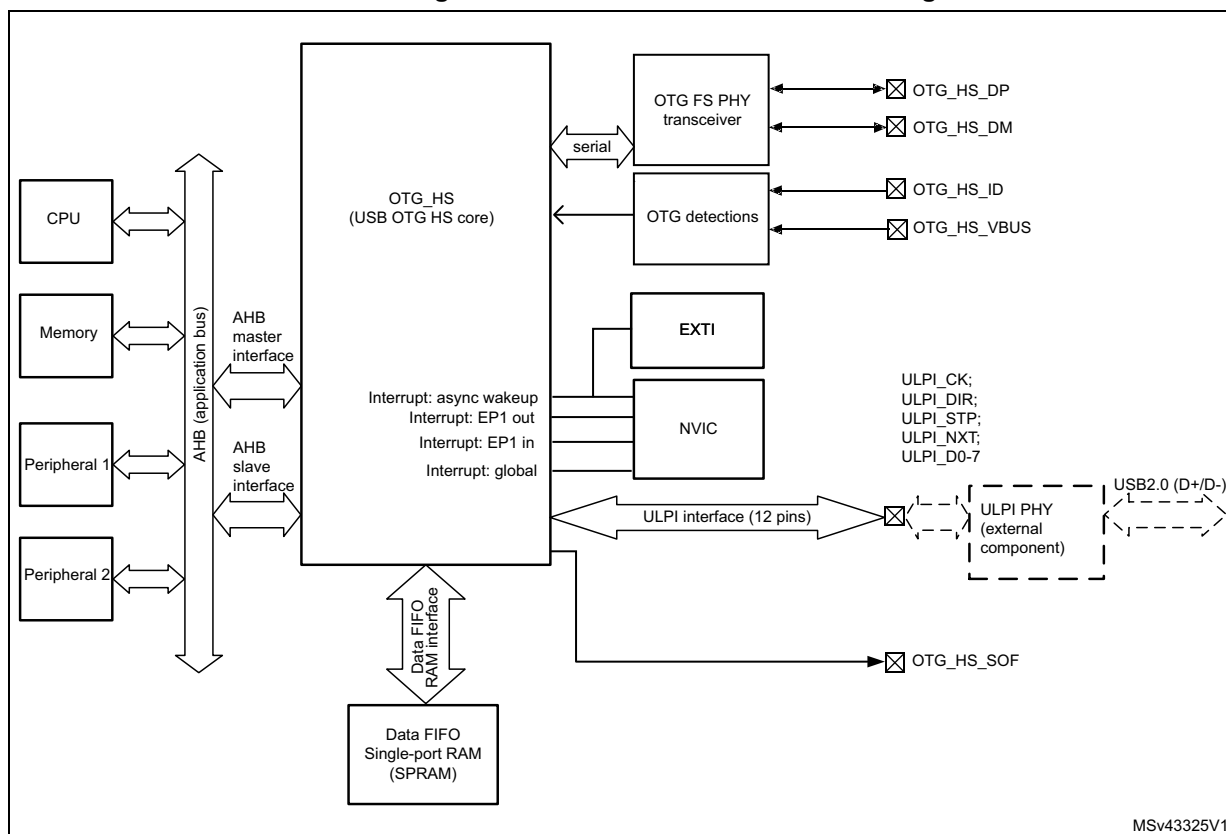
The OTG_HS interface main features in peripheral mode are the following:

- It has 1 bidirectional control endpoint 0
- It has 5 IN endpoints (EP) configurable to support bulk, interrupt or isochronous transfers
- It has 5 OUT endpoints configurable to support bulk, interrupt or isochronous transfers
- It manages a shared Rx FIFO and a Tx-OUT FIFO for efficient usage of the USB data RAM
- It manages up to 6 dedicated Tx-IN FIFOs (one for each IN-configured EP) to reduce the application load
- It features soft disconnect capability

30.3 OTG_HS functional description

Figure 373 shows the OTG_HS interface block diagram.

Figure 373. USB OTG interface block diagram



1. The USB DMA cannot directly address the internal Flash memory.

30.3.1 OTG pins

Table 159. OTG_HS input/output pins

Signal name	Signal type	Description
OTG_HS_DP	Digital input/output	USB OTG D+ line
OTG_HS_DM	Digital input/output	USB OTG D- line
OTG_HS_ID	Digital input	USB OTG ID
OTG_HS_VBUS	Analog input	USB OTG VBUS
OTG_HS_SOF	Digital output	USB OTG Start Of Frame (visibility)
OTG_HS_ULPI_CK	Digital input	USB OTG ULPI clock
OTG_HS_ULPI_DIR	Digital input	USB OTG ULPI data bus direction control
OTG_HS_ULPI_STP	Digital output	USB OTG ULPI data stream stop
OTG_HS_ULPI_NXT	Digital input	USB OTG ULPI next data stream request
OTG_HS_ULPI_D[0..7]	Digital input/output	USB OTG ULPI 8-bit bi-directional data bus

30.3.2 High-speed OTG PHY

The USB OTG HS core embeds an ULPI interface to connect an external HS phy.

30.3.3 Embedded Full-speed OTG PHY

The full-speed OTG PHY includes the following components:

- FS/LS transceiver module used by both host and Device. It directly drives transmission and reception on the single-ended USB lines.
- Integrated ID pull-up resistor used to sample the ID line for A/B Device identification.
- DP/DM integrated pull-up and pull-down resistors controlled by the OTG_HS core depending on the current role of the device. As a peripheral, it enables the DP pull-up resistor to signal full-speed peripheral connections as soon as V_{BUS} is sensed to be at a valid level (B-session valid). In host mode, pull-down resistors are enabled on both DP/DM. Pull-up and pull-down resistors are dynamically switched when the peripheral role is changed via the host negotiation protocol (HNP).
- Pull-up/pull-down resistor ECN circuit
The DP pull-up consists of 2 resistors controlled separately from the OTG_HS as per the resistor Engineering Change Notice applied to USB Rev2.0. The dynamic trimming of the DP pull-up strength allows to achieve a better noise rejection and Tx/Rx signal quality.
- V_{BUS} sensing comparators with hysteresis used to detect V_{BUS_VALID} , A-B Session Valid and session-end voltage thresholds. They are used to drive the session request protocol (SRP), detect valid startup and end-of-session conditions, and constantly monitor the V_{BUS} supply during USB operations.
- V_{BUS} pulsing method circuit used to charge/discharge V_{BUS} through resistors during the SRP (weak drive).

Caution: To guarantee a correct operation for the USB OTG HS peripheral, the AHB frequency should be higher than 30 MHz.

30.4 OTG dual-role device

30.4.1 ID line detection

The host or peripheral (the default) role depends on the level of the ID input line. It is determined when the USB cable is plugged in and depends on which side of the USB cable is connected to the micro-AB receptacle:

- If the B-side of the USB cable is connected with a floating ID wire, the integrated pull-up resistor detects a high ID level and the default peripheral role is confirmed. In this configuration the OTG_HS conforms to the FSM standard described in section 6.8.2. On-The-Go B-device of the USB On-The-Go Supplement, Revision 1.3.
- If the A-side of the USB cable is connected with a grounded ID, the OTG_HS issues an ID line status change interrupt (CIDSCHG bit in the OTG_HS_GINTSTS register) for host software initialization, and automatically switches to host role. In this configuration the OTG_HS conforms to the FSM standard described by section 6.8.1: On-The-Go A-Device of the USB On-The-Go Supplement, Revision 1.3.

30.4.2 HNP dual role device

The HNP capable bit in the Global USB configuration register (HNPCAP bit in the OTG_HS_GUSBCFG register) configures the OTG_HS core to dynamically change from A-host to A-device role and vice-versa, or from B-device to B-host role and vice-versa, according to the host negotiation protocol (HNP). The current device status is defined by the

combination of the Connector ID Status bit in the Global OTG control and status register (CIDSTS bit in OTG_HS_GOTGCTL) and the current mode of operation bit in the global interrupt and status register (CMOD bit in OTG_HS_GINTSTS).

The HNP programming model is described in detail in [Section 30.13: OTG_HS programming model](#).

30.4.3 SRP dual-role device

The SRP capable bit in the global USB configuration register (SRPCAP bit in OTG_HS_GUSBCFG) configures the OTG_HS core to switch V_{BUS} off for the A-device in order to save power. The A-device is always in charge of driving V_{BUS} regardless of the OTG_HS role (host or peripheral). The SRP A/B-device program model is described in detail in [Section 30.13: OTG_HS programming model](#).

30.5 USB functional description in peripheral mode

The OTG_HS operates as an USB peripheral in the following circumstances:

- OTG B-device
OTG B-device default state if the B-side of USB cable is plugged in
- OTG A-device
OTG A-device state after the HNP switches the OTG_HS to peripheral role
- B-Device
If the ID line is present, functional and connected to the B-side of the USB cable, and the HNP-capable bit in the Global USB Configuration register (HNPCAP bit in OTG_HS_GUSBCFG) is cleared (see On-The-Go specification Revision 1.3 section 6.8.3).
- Peripheral only (see [Figure 351: USB peripheral-only connection](#))
The force peripheral mode bit in the Global USB configuration register (FDMOD in OTG_HS_GUSBCFG) is set to 1, forcing the OTG_HS core to operate in USB peripheral-only mode (see On-The-Go specification Revision 1.3 section 6.8.3). In this case, the ID line is ignored even if it is available on the USB connector.

Note: To build a bus-powered device architecture in the B-Device or peripheral-only configuration, an external regulator must be added to generate the V_{DD} supply voltage from V_{BUS} .

30.5.1 SRP-capable peripheral

The SRP capable bit in the Global USB configuration register (SRPCAP bit in OTG_HS_GUSBCFG) configures the OTG_HS to support the session request protocol (SRP). As a result, it allows the remote A-device to save power by switching V_{BUS} off when the USB session is suspended.

The SRP peripheral mode program model is described in detail in [Section : B-device session request protocol](#).

30.5.2 Peripheral states

Powered state

The V_{BUS} input detects the B-session valid voltage used to put the USB peripheral in the Powered state (see USB2.0 specification section 9.1). The OTG_HS then automatically connects the DP pull-up resistor to signal full-speed device connection to the host, and generates the session request interrupt (SRQINT bit in OTG_HS_GINTSTS) to notify the Powered state. The V_{BUS} input also ensures that valid V_{BUS} levels are supplied by the host during USB operations. If V_{BUS} drops below the B-session valid voltage (for example because power disturbances occurred or the host port has been switched off), the OTG_HS automatically disconnects and the session end detected (SEDET bit in OTG_HS_GOTGINT) interrupt is generated to notify that the OTG_HS has exited the Powered state.

In Powered state, the OTG_HS expects a reset from the host. No other USB operations are possible. When a reset is received, the reset detected interrupt (USBRST in OTG_HS_GINTSTS) is generated. When the reset is complete, the enumeration done interrupt (ENUMDNE bit in OTG_HS_GINTSTS) is generated and the OTG_HS enters the Default state.

Soft disconnect

The Powered state can be exited by software by using the soft disconnect feature. The DP pull-up resistor is removed by setting the Soft disconnect bit in the device control register (SDIS bit in OTG_HS_DCTL), thus generating a device disconnect detection interrupt on the host side even though the USB cable was not really unplugged from the host port.

Default state

In Default state the OTG_HS expects to receive a SET_ADDRESS command from the host. No other USB operations are possible. When a valid SET_ADDRESS command is decoded on the USB, the application writes the corresponding number into the device address field in the device configuration register (DAD bit in OTG_HS_DCFG). The OTG_HS then enters the address state and is ready to answer host transactions at the configured USB address.

Suspended state

The OTG_HS peripheral constantly monitors the USB activity. When the USB remains idle for 3 ms, the early suspend interrupt (ESUSP bit in OTG_HS_GINTSTS) is issued. It is confirmed 3 ms later, if appropriate, by generating a suspend interrupt (USBSUSP bit in OTG_HS_GINTSTS). The device suspend bit is then automatically set in the device status register (SUSPSTS bit in OTG_HS_DSTS) and the OTG_HS enters the Suspended state.

The device can also exit from the Suspended state by itself. In this case the application sets the remote wake-up signaling bit in the device control register (RWUSIG bit in OTG_HS_DCTL) and clears it after 1 to 15 ms.

When a resume signaling is detected from the host, the resume interrupt (WKUPINT bit in OTG_HS_GINTSTS) is generated and the device suspend bit is automatically cleared.

30.5.3 Peripheral endpoints

The OTG_HS core instantiates the following USB endpoints:

- Control endpoint 0

This endpoint is bidirectional and handles control messages only.

It has a separate set of registers to handle IN and OUT transactions, as well as dedicated control (OTG_HS_DIEPCTL0/OTG_HS_DOEPCTL0), transfer configuration (OTG_HS_DIEPTSIZ0/OTG_HS_DOEPSIZ0), and status-interrupt (OTG_HS_DIEPINTx/OTG_HS_DOEPINT0) registers. The bits available inside the control and transfer size registers slightly differ from other endpoints.
- 5 IN endpoints
 - They can be configured to support the isochronous, bulk or interrupt transfer type.
 - They feature dedicated control (OTG_HS_DIEPCTLx), transfer configuration (OTG_HS_DIEPTSIZx), and status-interrupt (OTG_HS_DIEPINTx) registers.
 - The Device IN endpoints common interrupt mask register (OTG_HS_DIEPMSK) allows to enable/disable a single endpoint interrupt source on all of the IN endpoints (EP0 included).
 - They support incomplete isochronous IN transfer interrupt (IISOIXFR bit in OTG_HS_GINTSTS). This interrupt is asserted when there is at least one isochronous IN endpoint for which the transfer is not completed in the current frame. This interrupt is asserted along with the end of periodic frame interrupt (OTG_HS_GINTSTS/EOPF).
- 5 OUT endpoints
 - They can be configured to support the isochronous, bulk or interrupt transfer type.
 - They feature dedicated control (OTG_HS_DOEPCTLx), transfer configuration (OTG_HS_DOEPSIZx) and status-interrupt (OTG_HS_DOEPINTx) registers.
 - The Device Out endpoints common interrupt mask register (OTG_HS_DOEPMSK) allows to enable/disable a single endpoint interrupt source on all OUT endpoints (EP0 included).
 - They support incomplete isochronous OUT transfer interrupt (INCOMPISOOUT bit in OTG_HS_GINTSTS). This interrupt is asserted when there is at least one isochronous OUT endpoint on which the transfer is not completed in the current frame. This interrupt is asserted along with the end of periodic frame interrupt (OTG_HS_GINTSTS/EOPF).

Endpoint controls

The following endpoint controls are available through the device endpoint-x IN/OUT control register (DIEPCTLx/DOEPCTLx):

- Endpoint enable/disable
- Endpoint activation in current configuration
- Program the USB transfer type (isochronous, bulk, interrupt)
- Program the supported packet size
- Program the Tx-FIFO number associated with the IN endpoint
- Program the expected or transmitted data0/data1 PID (bulk/interrupt only)
- Program the even/odd frame during which the transaction is received or transmitted (isochronous only)
- Optionally program the NAK bit to always send a negative acknowledge to the host regardless of the FIFO status
- Optionally program the STALL bit to always stall host tokens to that endpoint
- Optionally program the Snoop mode for OUT endpoint where the received data CRC is not checked

Endpoint transfer

The device endpoint-x transfer size registers (DIEPTSIZx/DOEPTSIZx) allow the application to program the transfer size parameters and read the transfer status.

The programming operation must be performed before setting the endpoint enable bit in the endpoint control register.

Once the endpoint is enabled, these fields are read-only as the OTG FS core updates them with the current transfer status.

The following transfer parameters can be programmed:

- Transfer size in bytes
- Number of packets constituting the overall transfer size.

Endpoint status/interrupt

The device endpoint-x interrupt registers (DIEPINTx/DOPEPINTx) indicate the status of an endpoint with respect to USB- and AHB-related events. The application must read these registers when the OUT endpoint interrupt bit or the IN endpoint interrupt bit in the core interrupt register (OEPINT bit in OTG_HS_GINTSTS or IEPINT bit in OTG_HS_GINTSTS, respectively) is set. Before the application can read these registers, it must first read the device all endpoints interrupt register (OTG_HS_DAINR) to get the exact endpoint number for the device endpoint-x interrupt register. The application must clear the appropriate bit in this register to clear the corresponding bits in the DAINR and GINTSTS registers.

The peripheral core provides the following status checks and interrupt generation:

- Transfer completed interrupt, indicating that data transfer has completed on both the application (AHB) and USB sides
- Setup stage done (control-out only)
- Associated transmit FIFO is half or completely empty (in endpoints)
- NAK acknowledge transmitted to the host (isochronous-in only)
- IN token received when Tx-FIFO was empty (bulk-in/interrupt-in only)
- OUT token received when endpoint was not yet enabled
- Babble error condition detected
- Endpoint disable by application is effective
- Endpoint NAK by application is effective (isochronous-in only)
- More than 3 back-to-back setup packets received (control-out only)
- Timeout condition detected (control-in only)
- Isochronous out packet dropped without generating an interrupt

30.6 USB functional description on host mode

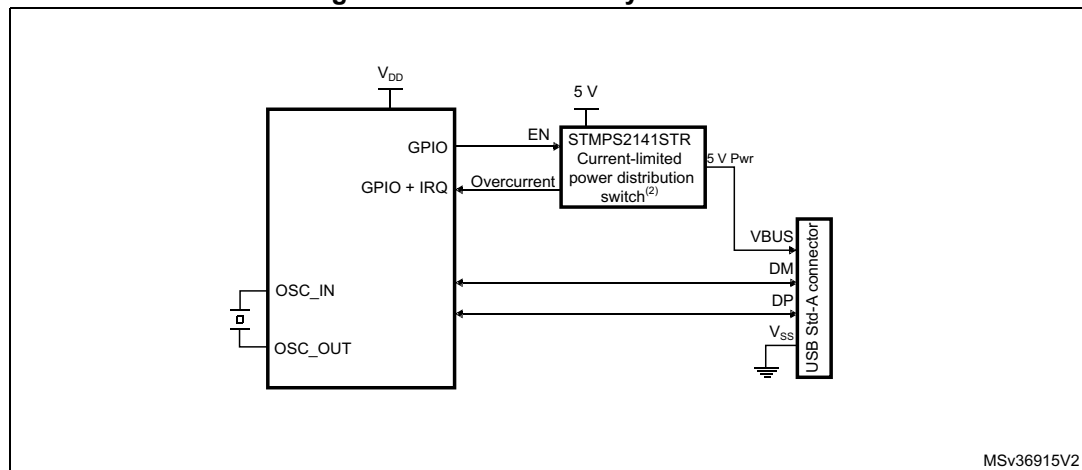
This section gives the functional description of the OTG_HS in the USB host mode. The OTG_HS works as a USB host in the following circumstances:

- OTG A-host
OTG A-device default state when the A-side of the USB cable is plugged in
- OTG B-host
OTG B-device after HNP switching to the host role
- A-device
If the ID line is present, functional and connected to the A-side of the USB cable, and the HNP-capable bit is cleared in the Global USB Configuration register (HNPCAP bit in OTG_HS_GUSBCFG). Integrated pull-down resistors are automatically set on the DP/DM lines.
- Host only (*Figure 352: USB host-only connection*).
The force host mode bit in the global USB configuration register (FHMOD bit in OTG_HS_GUSBCFG) forces the OTG_HS core to operate in USB host-only mode. In this case, the ID line is ignored even if it is available on the USB connector. Integrated pull-down resistors are automatically set on the OTG_HS_FS_DP/OTG_HS_FS_DM lines.

Note: On-chip 5 V V_{BUS} generation is not supported. As a result, a charge pump or a basic power switch (if a 5 V supply is available on the application board) must be added externally to drive the 5 V V_{BUS} line. The external charge pump can be driven by any GPIO output. This is required for the OTG A-host, A-device and host-only configurations.

The V_{BUS} input ensures that valid V_{BUS} levels are supplied by the charge pump during USB operations while the charge pump overcurrent output can be input to any GPIO pin configured to generate port interrupts. The overcurrent ISR must promptly disable the V_{BUS} generation.

Figure 374. USB host-only connection



MSv36915V2

30.6.1 SRP-capable host

SRP support is available through the SRP capable bit in the global USB configuration register (SRPCAP bit in OTG_HS_GUSBCFG). When the SRP feature is enabled, the host can save power by switching off the V_{BUS} power while the USB session is suspended. The

SRP host mode program model is described in detail in [Section : A-device session request protocol](#).

30.6.2 USB host states

Host port power

On-chip 5 V V_{BUS} generation is not supported. As a result, a charge pump or a basic power switch (if a 5 V supply voltage is available on the application board) must be added externally to drive the 5 V V_{BUS} line. The external charge pump can be driven by any GPIO output. When the application powers on V_{BUS} through the selected GPIO, it must also set the port power bit in the host port control and status register (PPWR bit in OTG_HS_HPRT).

V_{BUS} valid

When SRP or HNP is enabled the VBUS sensing pin (PB13) pin should be connected to V_{BUS} . The V_{BUS} input ensures that valid V_{BUS} levels are supplied by the charge pump during USB operations. Any unforeseen V_{BUS} voltage drop below the V_{BUS} valid threshold (4.25 V) generates an OTG interrupt triggered by the session end detected bit (SEDET bit in OTG_HS_GOTGINT). The application must then switch the V_{BUS} power off and clear the port power bit.

When HNP and SRP are both disabled, the VBUS sensing pin (PB13) should not be connected to V_{BUS} . This pin can be used as GPIO.

The charge pump overcurrent flag can also be used to prevent electrical damage. Connect the overcurrent flag output from the charge pump to any GPIO input, and configure it to generate a port interrupt on the active level. The overcurrent ISR must promptly disable the V_{BUS} generation and clear the port power bit.

Detection of peripheral connection by the host

If SRP or HNP are enabled, even if USB peripherals or B-devices can be attached at any time, the OTG_HS does not detect a bus connection until the end of the V_{BUS} sensing (V_{BUS} over 4.75 V).

When V_{BUS} is at a valid level and a remote B-device is attached, the OTG_HS core issues a host port interrupt triggered by the device connected bit in the host port control and status register (PCDET bit in OTG_HS_HPRT).

When HNP and SRP are both disabled, USB peripherals or B-device are detected as soon as they are connected. The OTG_HS core issues a host port interrupt triggered by the device connected bit in the host port control and status (PCDET bit in OTG_HS_HPRT).

Detection of peripheral disconnection by the host

The peripheral disconnection event triggers the disconnect detected interrupt (DISCINT bit in OTG_HS_GINTSTS).

Host enumeration

After detecting a peripheral connection, the host must start the enumeration process by issuing an USB reset and configuration commands to the new peripheral.

Before sending an USB reset, the application waits for the OTG interrupt triggered by the debounce done bit (DBCDNE bit in OTG_HS_GOTGINT), which indicates that the bus is

stable again after the electrical debounce caused by the attachment of a pull-up resistor on OTG_HS_FS_DP (full speed) or OTG_HS_FS_DM (low speed).

The application issues an USB reset (single-ended zero) via the USB by keeping the port reset bit set in the Host port control and status register (PRST bit in OTG_HS_HPRT) for a minimum of 10 ms and a maximum of 20 ms. The application monitors the time and then clears the port reset bit.

Once the USB reset sequence has completed, the host port interrupt is triggered by the port enable/disable change bit (PENCHNG bit in OTG_HS_HPRT) to inform the application that the speed of the enumerated peripheral can be read from the port speed field in the host port control and status register (PSPD bit in OTG_HS_HPRT), and that the host is starting to drive SOFs (full speed) or keep-alive tokens (low speed). The host is then ready to complete the peripheral enumeration by sending peripheral configuration commands.

Host suspend

The application can decide to suspend the USB activity by setting the port suspend bit in the host port control and status register (PSUSP bit in OTG_HS_HPRT). The OTG_HS core stops sending SOFs and enters the Suspended state.

The Suspended state can be exited on the remote device initiative (remote wake-up). In this case the remote wake-up interrupt (WKUPINT bit in OTG_HS_GINTSTS) is generated upon detection of a remote wake-up event, the port resume bit in the host port control and status register (PRES bit in OTG_HS_HPRT) is set, and a resume signaling is automatically issued on the USB. The application must monitor the resume window duration, and then clear the port resume bit to exit the Suspended state and restart the SOF.

If the Suspended state is exited on the host initiative, the application must set the port resume bit to start resume signaling on the host port, monitor the resume window duration and then clear the port resume bit.

30.6.3 Host channels

The OTG_HS core instantiates 12 host channels. Each host channel supports an USB host transfer (USB pipe). The host is not able to support more than 8 transfer requests simultaneously. If more than 8 transfer requests are pending from the application, the host controller driver (HCD) must re-allocate channels when they become available, that is, after receiving the transfer completed and channel halted interrupts.

Each host channel can be configured to support IN/OUT and any type of periodic/nonperiodic transaction. Each host channel has dedicated control (HCCHARx), transfer configuration (HCTSIZx) and status/interrupt (HCINTx) registers with associated mask (HCINTMSKx) registers.

Host channel controls

The following host channel controls are available through the host channel-x characteristics register (HCCHARx):

- Channel enable/disable
- Program the HS/FS/LS speed of target USB peripheral
- Program the address of target USB peripheral
- Program the endpoint number of target USB peripheral
- Program the transfer IN/OUT direction
- Program the USB transfer type (control, bulk, interrupt, isochronous)
- Program the maximum packet size (MPS)
- Program the periodic transfer to be executed during odd/even frames

Host channel transfer

The host channel transfer size registers (HCTSIZx) allow the application to program the transfer size parameters, and read the transfer status.

The programming operation must be performed before setting the channel enable bit in the host channel characteristics register. Once the endpoint is enabled, the packet count field is read-only as the OTG HS core updates it according to the current transfer status.

The following transfer parameters can be programmed:

- Transfer size in bytes
- Number of packets constituting the overall transfer size
- Initial data PID

Host channel status/interrupt

The host channel-x interrupt register (HCINTx) indicates the status of an endpoint with respect to USB- and AHB-related events. The application must read these register when the host channels interrupt bit in the core interrupt register (HCINT bit in OTG_HS_GINTSTS) is set. Before the application can read these registers, it must first read the host all channels interrupt (HCAINT) register to get the exact channel number for the host channel-x interrupt register. The application must clear the appropriate bit in this register to clear the corresponding bits in the HAINC and GINTSTS registers. The mask bits for each interrupt source of each channel are also available in the OTG_HS_HCINTMSK-x register.

The host core provides the following status checks and interrupt generation:

- Transfer completed interrupt, indicating that the data transfer is complete on both the application (AHB) and USB sides
- Channel stopped due to transfer completed, USB transaction error or disable command from the application
- Associated transmit FIFO half or completely empty (IN endpoints)
- ACK response received
- NAK response received
- STALL response received
- USB transaction error due to CRC failure, timeout, bit stuff error, false EOP
- Babble error
- Frame overrun
- Data toggle error

30.6.4 Host scheduler

The host core features a built-in hardware scheduler which is able to autonomously re-order and manage the USB the transaction requests posted by the application. At the beginning of each frame the host executes the periodic (isochronous and interrupt) transactions first, followed by the nonperiodic (control and bulk) transactions to achieve the higher level of priority granted to the isochronous and interrupt transfer types by the USB specification.

The host processes the USB transactions through request queues (one for periodic and one for nonperiodic). Each request queue can hold up to 8 entries. Each entry represents a pending transaction request from the application, and holds the IN or OUT channel number along with other information to perform a transaction on the USB. The order in which the requests are written to the queue determines the sequence of the transactions on the USB interface.

At the beginning of each frame, the host processes the periodic request queue first, followed by the nonperiodic request queue. The host issues an incomplete periodic transfer interrupt (IPXFR bit in OTG_HS_GINTSTS) if an isochronous or interrupt transaction scheduled for the current frame is still pending at the end of the current frame. The OTG HS core is fully responsible for the management of the periodic and nonperiodic request queues. The periodic transmit FIFO and queue status register (HPTXSTS) and nonperiodic transmit FIFO and queue status register (HNPTXSTS) are read-only registers which can be used by the application to read the status of each request queue. They contain:

- The number of free entries currently available in the periodic (nonperiodic) request queue (8 max)
- Free space currently available in the periodic (nonperiodic) Tx-FIFO (out-transactions)
- IN/OUT token, host channel number and other status information.

As request queues can hold a maximum of 8 entries each, the application can push to schedule host transactions in advance with respect to the moment they physically reach the USB for a maximum of 8 pending periodic transactions plus 8 pending nonperiodic transactions.

To post a transaction request to the host scheduler (queue) the application must check that there is at least 1 entry available in the periodic (nonperiodic) request queue by reading the PTXQSAV bits in the OTG_HS_HNPTXSTS register or NPTQSAV bits in the OTG_HS_HNPTXSTS register.

30.7 SOF trigger

The OTG FS core allows to monitor, track and configure SOF framing in the host and peripheral. It also features an SOF pulse output connectivity.

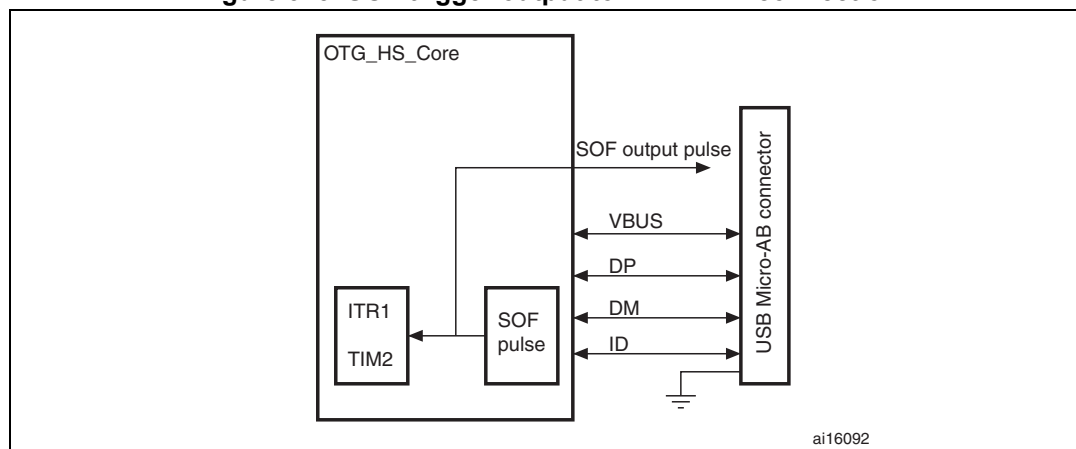
These capabilities are particularly useful to implement adaptive audio clock generation techniques, where the audio peripheral needs to synchronize to the isochronous stream provided by the PC, or the host needs trimming its framing rate according to the requirements of the audio peripheral.

30.7.1 Host SOFs

In host mode the number of PHY clocks occurring between the generation of two consecutive SOF (FS) or keep-alive (LS) tokens is programmable in the host frame interval register (OTG_HS_HFIR), thus providing application control over the SOF framing period. An interrupt is generated at any start of frame (SOF bit in OTG_HS_GINTSTS). The current frame number and the time remaining until the next SOF are tracked in the host frame number register (OTG_HS_HFNUM).

An SOF pulse signal is generated at any SOF starting token and with a width of 20 HCLK cycles. It can be made available externally on the SOF pin using the SOFOUTEN bit in the global control and configuration register. The SOF pulse is also internally connected to the input trigger of timer 2 (TIM2), so that the input capture feature, the output compare feature and the timer can be triggered by the SOF pulse. The TIM2 connection is enabled through ITR1_RMP bits of TIM2_OR register.

Figure 375. SOF trigger output to TIM2 ITR1 connection



30.7.2 Peripheral SOFs

In peripheral mode, the start of frame interrupt is generated each time an SOF token is received on the USB (SOF bit in OTG_HS_GINTSTS). The corresponding frame number can be read from the device status register (FNSOF bit in OTG_HS_DSTS). An SOF pulse signal with a width of 20 HCLK cycles is also generated and can be made available externally on the SOF pin by using the SOF output enable bit in the global control and configuration register (SOFOUTEN bit in OTG_HS_GCCFG). The SOF pulse signal is also internally connected to the TIM2 input trigger, so that the input capture feature, the output compare feature and the timer can be triggered by the SOF pulse (see [Figure 375](#)). The TIM2 connection is enabled through ITR1_RMP bits of TIM2_OR register.

The end of periodic frame interrupt (GINTSTS/EOPF) is used to notify the application when 80%, 85%, 90% or 95% of the time frame interval elapsed depending on the periodic frame interval field in the device configuration register (PFIVL bit in OTG_HS_DCFG).

This feature can be used to determine if all of the isochronous traffic for that frame is complete.

30.8 OTG_HS low-power modes

Table 160 below defines the STM32 low power modes and their compatibility with the OTG.

Table 160. Compatibility of STM32 low power modes with the OTG

Mode	Description	USB compatibility
Run	MCU fully active	Required when USB not in suspend state.
Sleep	USB suspend exit causes the device to exit Sleep mode. Peripheral registers content is kept.	Available while USB is in suspend state.
Stop	USB suspend exit causes the device to exit Stop mode. Peripheral registers content is kept ⁽¹⁾ .	Available while USB is in suspend state.
Standby	Powered-down. The peripheral must be reinitialized after exiting Standby mode.	Not compatible with USB applications.

1. Within Stop mode there are different possible settings. Some restrictions may also exist, refer to [Section 4: Power control \(PWR\)](#) to understand which (if any) restrictions apply when using OTG.

The following bits and procedures reduce power consumption.

The power consumption of the OTG PHY is controlled by three bits in the general core configuration register:

- PHY power down (GCCFG/PWRDWN)
This bit switches on/off the PHY full-speed transceiver module. It must be preliminarily set to allow any USB operation.
- A-VBUS sensing enable (GCCFG/VBUSASEN)
This bit switches on/off the V_{BUS} comparators associated with A-device operations. It must be set when in A-device (USB host) mode and during HNP.
- B-VBUS sensing enable (GCCFG/VBUSASEN)
This bit switches on/off the V_{BUS} comparators associated with B-device operations. It must be set when in B-device (USB peripheral) mode and during HNP.
Power reduction techniques are available in the USB suspended state, when the USB session is not yet valid or the device is disconnected.
- Stop PHY clock (STPPCLK bit in OTG_HS_PCGCCTL)
 - When setting the stop PHY clock bit in the clock gating control register, most of the clock domain internal to the OTG high-speed core is switched off by clock gating.

- The dynamic power consumption due to the USB clock switching activity is cut even if the clock input is kept running by the application
- Most of the transceiver is also disabled, and only the part in charge of detecting the asynchronous resume or remote wake-up event is kept alive.
 - Gate HCLK (GATEHCLK bit in OTG_HS_PCGCCTL)

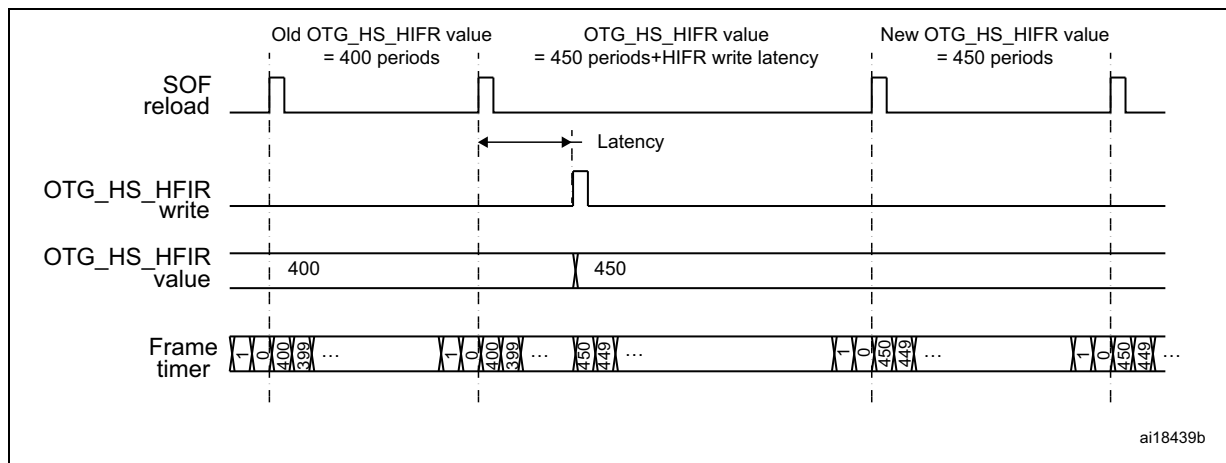
When setting the Gate HCLK bit in the clock gating control register, most of the system clock domain internal to the OTG_HS core is switched off by clock gating. Only the register read and write interface is kept alive. The dynamic power consumption due to the USB clock switching activity is cut even if the system clock is kept running by the application for other purposes.
 - USB system stop
 - When the OTG_HS is in USB suspended state, the application can decide to drastically reduce the overall power consumption by shutting down all the clock sources in the system. USB System Stop is activated by first setting the Stop PHY clock bit and then configuring the system deep sleep mode in the powercontrol system module (PWR).
 - The OTG_HS core automatically reactivates both system and USB clocks by asynchronous detection of remote wake-up (as an host) or resume (as a Device) signaling on the USB.

30.9 Dynamic update of the OTG_HS_HFIR register

The USB core embeds a dynamic trimming capability of micro-SOF framing period in host mode allowing to synchronize an external device with the micro-SOF frames.

When the OTG_HS_HFIR register is changed within a current micro-SOF frame, the SOF period correction is applied in the next frame as described in [Figure 376](#).

Figure 376. Updating OTG_HS_HFIR dynamically



30.10 FIFO RAM allocation

30.10.1 Peripheral mode

Receive FIFO RAM

For Receive FIFO RAM, the application should allocate RAM for SETUP packets: 10 locations must be reserved in the receive FIFO to receive SETUP packets on control endpoints. These locations are reserved for SETUP packets and are not used by the core to write any other data.

One location must be allocated for Global OUT NAK. Status information are also written to the FIFO along with each received packet. Therefore, a minimum space of $(\text{Largest Packet Size} / 4) + 1$ must be allocated to receive packets. If a high-bandwidth endpoint or multiple isochronous endpoints are enabled, at least two spaces of $(\text{Largest Packet Size} / 4) + 1$ must be allotted to receive back-to-back packets. Typically, two $(\text{Largest Packet Size} / 4) + 1$ spaces are recommended so that when the previous packet is being transferred to AHB, the USB can receive the subsequent packet.

Along with each endpoints last packet, transfer complete status information are also pushed to the FIFO. Typically, one location for each OUT endpoint is recommended.

Transmit FIFO RAM

For Transmit FIFO RAM, the minimum RAM space required for each IN Endpoint Transmit FIFO is the maximum packet size for this IN endpoint.

Note: More space allocated in the transmit IN Endpoint FIFO results in a better performance on the USB.

30.10.2 Host mode

Receive FIFO RAM

For Receive FIFO RAM allocation, Status information are written to the FIFO along with each received packet. Therefore, a minimum space of $(\text{Largest Packet Size} / 4) + 1$ must be allocated to receive packets. If a high-bandwidth channel or multiple isochronous channels are enabled, at least two spaces of $(\text{Largest Packet Size} / 4) + 1$ must be allocated to receive back-to-back packets. Typically, two $(\text{Largest Packet Size} / 4) + 1$ spaces are recommended so that when the previous packet is being transferred to AHB, the USB can receive the subsequent packet.

Along with each host channels last packet, transfer complete status information are also pushed to the FIFO. As a consequence, one location must be allocated to store this data.

Transmit FIFO RAM

For Transmit FIFO RAM allocation, the minimum amount of RAM required for the host nonperiodic Transmit FIFO is the largest maximum packet size for all supported nonperiodic OUT channels. Typically, a space corresponding to two Largest Packet Size is recommended, so that when the current packet is being transferred to the USB, the AHB can transmit the subsequent packet.

The minimum amount of RAM required for Host periodic Transmit FIFO is the largest maximum packet size for all supported periodic OUT channels. If there is at least one High

Bandwidth Isochronous OUT endpoint, then the space must be at least two times the maximum packet size for that channel.

Note: *More space allocated in the Transmit nonperiodic FIFO results in better performance on the USB.*

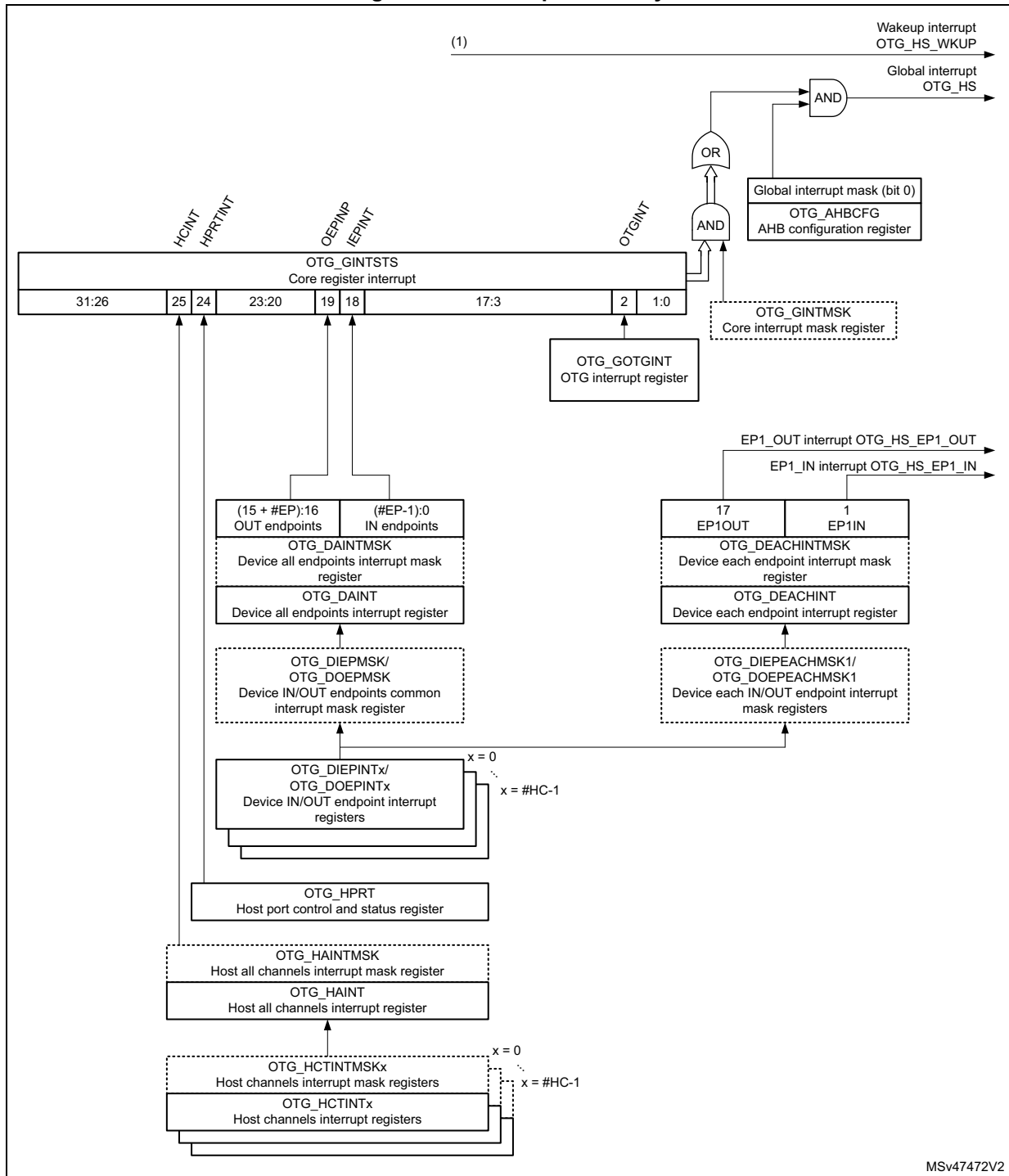
When operating in DMA mode, the DMA address register for each host channel (HCDMA_n) is stored in the SPRAM (FIFO). One location for each channel must be reserved for this.

30.11 OTG_HS interrupts

When the OTG_HS controller is operating in one mode, either peripheral or host, the application must not access registers from the other mode. If an illegal access occurs, a mode mismatch interrupt is generated and reflected in the Core interrupt register (MMIS bit in the OTG_HS_GINTSTS register). When the core switches from one mode to the other, the registers in the new mode of operation must be reprogrammed as they would be after a power-on reset.

Figure 377 shows the interrupt hierarchy.

Figure 377. Interrupt hierarchy



MSv47472V2

1. OTG_HS_WKUP becomes active (high state) when resume condition occurs during L1 SLEEP or L2 SUSPEND states.

30.12 OTG_HS control and status registers

By reading from and writing to the control and status registers (CSRs) through the AHB slave interface, the application controls the OTG_HS controller. These registers are 32 bits wide, and the addresses are 32-bit block aligned. The OTG_HS registers must be accessed by words (32 bits). CSRs are classified as follows:

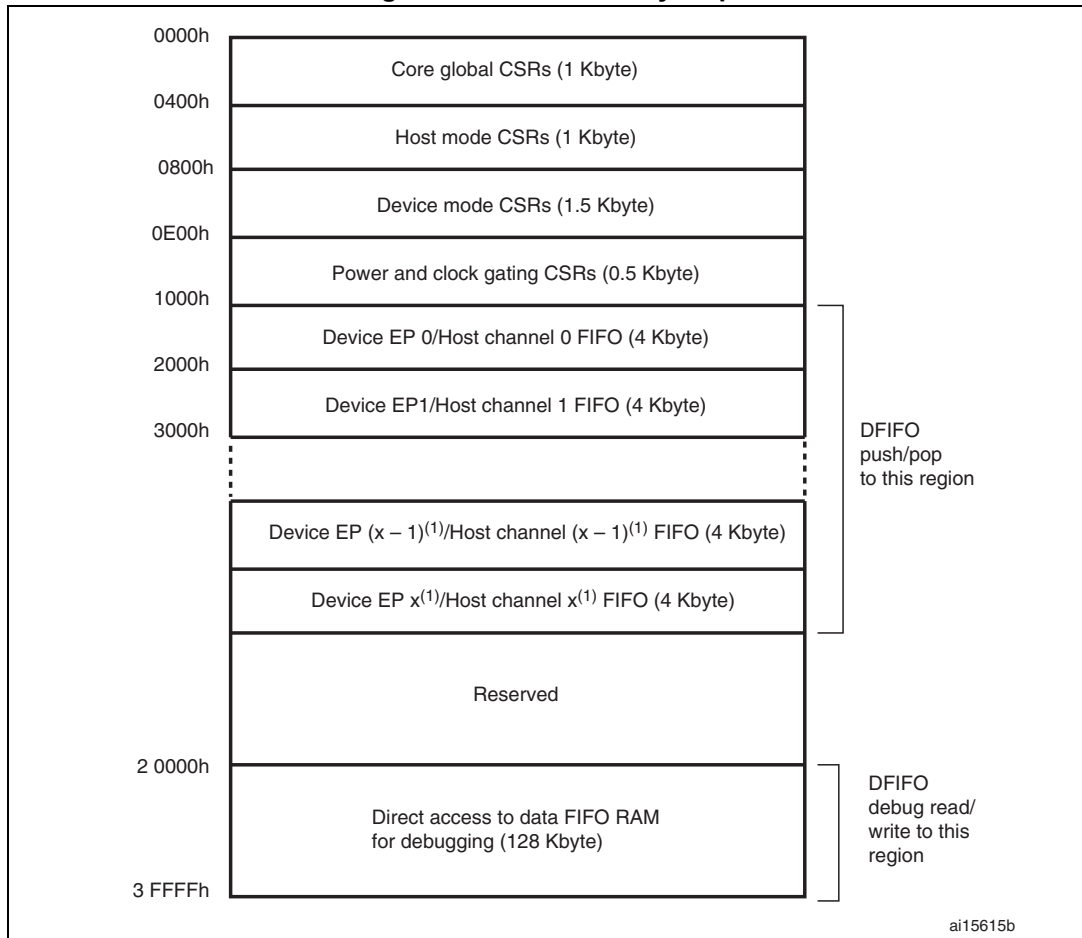
- Core global registers
- Host-mode registers
- Host global registers
- Host port CSRs
- Host channel-specific registers
- Device-mode registers
- Device global registers
- Device endpoint-specific registers
- Power and clock-gating registers
- Data FIFO (DFIFO) access registers

Only the Core global, Power and clock-gating, Data FIFO access, and host port control and status registers can be accessed in both host and peripheral modes. When the OTG_HS controller is operating in one mode, either peripheral or host, the application must not access registers from the other mode. If an illegal access occurs, a mode mismatch interrupt is generated and reflected in the Core interrupt register (MMIS bit in the OTG_HS_GINTSTS register). When the core switches from one mode to the other, the registers in the new mode of operation must be reprogrammed as they would be after a power-on reset.

30.12.1 CSR memory map

The host and peripheral mode registers occupy different addresses. All registers are implemented in the AHB clock domain.

Figure 378. CSR memory map



1. x = 5 in peripheral mode and x = 11 in host mode.

Global CSR map

These registers are available in both host and peripheral modes.

Table 161. Core global control and status registers (CSRs)

Acronym	Address offset	Register name
OTG_HS_GOTGCTL	0x000	OTG_HS control and status register (OTG_HS_GOTGCTL) on page 1107
OTG_HS_GOTGINT	0x004	OTG_HS interrupt register (OTG_HS_GOTGINT) on page 1108
OTG_HS_GAHBCFG	0x008	OTG_HS AHB configuration register (OTG_HS_GAHBCFG) on page 1110
OTG_HS_GUSBCFG	0x00C	OTG_HS USB configuration register (OTG_HS_GUSBCFG) on page 1111
OTG_HS_GRSTCTL	0x010	OTG_HS reset register (OTG_HS_GRSTCTL) on page 1114
OTG_HS_GINTSTS	0x014	OTG_HS core interrupt register (OTG_HS_GINTSTS) on page 1117
OTG_HS_GINTMSK	0x018	OTG_HS interrupt mask register (OTG_HS_GINTMSK) on page 1121

Table 161. Core global control and status registers (CSRs) (continued)

Acronym	Address offset	Register name
OTG_HS_GRXSTSR	0x01C	<i>OTG_HS Receive status debug read/OTG status read and pop registers (OTG_HS_GRXSTSR/OTG_HS_GRXSTSP) on page 1124</i>
OTG_HS_GRXSTSP	0x020	
OTG_HS_GRXFSIZ	0x024	<i>OTG_HS Receive FIFO size register (OTG_HS_GRXFSIZ) on page 1125</i>
OTG_HS_GNPTXFSIZ/ OTG_HS_TX0FSIZ	0x028	<i>OTG_HS nonperiodic transmit FIFO size/Endpoint 0 transmit FIFO size register (OTG_HS_GNPTXFSIZ/OTG_HS_TX0FSIZ) on page 1126</i>
OTG_HS_GNPTXSTS	0x02C	<i>OTG_HS nonperiodic transmit FIFO/queue status register (OTG_HS_GNPTXSTS) on page 1126</i>
OTG_HS_GCCFG	0x038	<i>OTG_HS general core configuration register (OTG_HS_GCCFG) on page 1127</i>
OTG_HS_CID	0x03C	<i>OTG_HS core ID register (OTG_HS_CID) on page 1128</i>
OTG_HS_HPTXFSIZ	0x100	<i>OTG_HS Host periodic transmit FIFO size register (OTG_HS_HPTXFSIZ) on page 1128</i>
OTG_HS_DIEPTXF _x	0x104 0x108 ... 0x114	<i>OTG_HS device IN endpoint transmit FIFO size register (OTG_HS_DIEPTXF_x) (x = 1..5, where x is the FIFO_number) on page 1129</i>

Host-mode CSR map

These registers must be programmed every time the core changes to host mode.

Table 162. Host-mode control and status registers (CSRs)

Acronym	Offset address	Register name
OTG_HS_HCFG	0x400	<i>OTG_HS host configuration register (OTG_HS_HCFG) on page 1129</i>
OTG_HS_HFIR	0x404	<i>OTG_HS Host frame interval register (OTG_HS_HFIR) on page 1131</i>
OTG_HS_HFNUM	0x408	<i>OTG_HS host frame number/frame time remaining register (OTG_HS_HFNUM) on page 1131</i>
OTG_HS_HPTXSTS	0x410	<i>OTG_HS Host periodic transmit FIFO/queue status register (OTG_HS_HPTXSTS) on page 1132</i>
OTG_HS_HAINT	0x414	<i>OTG_HS Host all channels interrupt register (OTG_HS_HAINT) on page 1133</i>
OTG_HS_HAINTMSK	0x418	<i>OTG_HS host all channels interrupt mask register (OTG_HS_HAINTMSK) on page 1133</i>
OTG_HS_HPRT	0x440	<i>OTG_HS host port control and status register (OTG_HS_HPRT) on page 1134</i>

Table 162. Host-mode control and status registers (CSRs) (continued)

Acronym	Offset address	Register name
OTG_HS_HCCHARx	0x500 0x520 ... 0x660	<i>OTG_HS host channel-x characteristics register (OTG_HS_HCCHARx) (x = 0..11, where x = Channel_number) on page 1136</i>
OTG_HS_HCSPLTx	0x504	<i>OTG_HS host channel-x split control register (OTG_HS_HCSPLTx) (x = 0..11, where x = Channel_number) on page 1138</i>
OTG_HS_HCINTx	0x508	<i>OTG_HS host channel-x interrupt register (OTG_HS_HCINTx) (x = 0..11, where x = Channel_number) on page 1139</i>
OTG_HS_HCINTMSKx	0x50C	<i>OTG_HS host channel-x interrupt mask register (OTG_HS_HCINTMSKx) (x = 0..11, where x = Channel_number) on page 1140</i>
OTG_HS_HCTSIZx	0x510	<i>OTG_HS host channel-x transfer size register (OTG_HS_HCTSIZx) (x = 0..11, where x = Channel_number) on page 1141</i>
OTG_HS_HCDMAx	0x514	<i>OTG_HS host channel-x DMA address register (OTG_HS_HCDMAx) (x = 0..11, where x = Channel_number) on page 1142</i>

Device-mode CSR map

These registers must be programmed every time the core changes to peripheral mode.

Table 163. Device-mode control and status registers

Acronym	Offset address	Register name
OTG_HS_DCFG	0x800	<i>OTG_HS device configuration register (OTG_HS_DCFG) on page 1142</i>
OTG_HS_DCTL	0x804	<i>OTG_HS device control register (OTG_HS_DCTL) on page 1144</i>
OTG_HS_DSTS	0x808	<i>OTG_HS device status register (OTG_HS_DSTS) on page 1146</i>
OTG_HS_DIEPMSK	0x810	<i>OTG_HS device IN endpoint common interrupt mask register (OTG_HS_DIEPMSK) on page 1147</i>
OTG_HS_DOEPMSK	0x814	<i>OTG_HS device OUT endpoint common interrupt mask register (OTG_HS_DOEPMSK) on page 1148</i>
OTG_HS_DAIN	0x818	<i>OTG_HS device all endpoints interrupt register (OTG_HS_DAIN) on page 1149</i>
OTG_HS_DAINMSK	0x81C	<i>OTG_HS all endpoints interrupt mask register (OTG_HS_DAINMSK) on page 1150</i>
OTG_HS_DVBUSDIS	0x828	<i>OTG_HS device V_{BUS} discharge time register (OTG_HS_DVBUSDIS) on page 1150</i>
OTG_HS_DVBUSPULSE	0x82C	<i>OTG_HS device V_{BUS} pulsing time register (OTG_HS_DVBUSPULSE) on page 1151</i>
OTG_HS_DTHRCTL	0x830	<i>OTG_HS Device threshold control register (OTG_HS_DTHRCTL) on page 1152</i>

Table 163. Device-mode control and status registers (continued)

Acronym	Offset address	Register name
OTG_HS_DIEPEMPMSK	0x834	<i>OTG_HS device IN endpoint FIFO empty interrupt mask register: (OTG_HS_DIEPEMPMSK) on page 1153</i>
OTG_HS_DEACHINT	0x838	<i>OTG_HS device each endpoint interrupt register (OTG_HS_DEACHINT) on page 1153</i>
OTG_HS_DEACHINTMSK	0x83C	<i>OTG_HS device each endpoint interrupt register mask (OTG_HS_DEACHINTMSK) on page 1154</i>
OTG_HS_DIEPEACHMSK1	0x844	<i>OTG_HS device each in endpoint-1 interrupt register (OTG_HS_DIEPEACHMSK1) on page 1154</i>
OTG_HS_DOEPEACHMSK1	0x884	<i>OTG_HS device each OUT endpoint-1 interrupt register (OTG_HS_DOEPEACHMSK1) on page 1155</i>
OTG_HS_DIEPCTLx	0x900 0x920 ... 0x9A0	<i>OTG device endpoint-x control register (OTG_HS_DIEPCTLx) (x = 0..5, where x = Endpoint_number) on page 1156</i>
OTG_HS_DIEPINTx	0x908	<i>OTG_HS device endpoint-x interrupt register (OTG_HS_DIEPINTx) (x = 0..5, where x = Endpoint_number) on page 1163</i>
OTG_HS_DIEPTSIZE0	0x910	<i>OTG_HS device IN endpoint 0 transfer size register (OTG_HS_DIEPTSIZE0) on page 1166</i>
OTG_HS_DIEPDMAx/ OTG_HS_DOEPDMAx	0x914/0xB14	<i>OTG_HS device endpoint-x DMA address register (OTG_HS_DIEPDMAx / OTG_HS_DOEPDMAx) (x = 0..5, where x = Endpoint_number) on page 1170</i>
OTG_HS_DTXFSTSx	0x918	<i>OTG_HS device IN endpoint transmit FIFO status register (OTG_HS_DTXFSTSx) (x = 0..5, where x = Endpoint_number) on page 1169</i>
OTG_HS_DIEPTSIZEx	0x930 0x950 ... 0x9B0	<i>OTG_HS device endpoint-x transfer size register (OTG_HS_DIEPTSIZEx) (x = 1..5, where x = Endpoint_number) on page 1168</i>
OTG_HS_DOEPCTL0	0xB00	<i>OTG_HS device control OUT endpoint 0 control register (OTG_HS_DOEPCTL0) on page 1159</i>
OTG_HS_DOEPSIZE0	0xB10	<i>OTG_HS device OUT endpoint 0 transfer size register (OTG_HS_DOEPSIZE0) on page 1167</i>
OTG_HS_DOEPCTLx	0xB20 0xB40 ... 0xBA0	<i>OTG_HS device endpoint-x control register (OTG_HS_DOEPCTLx) (x = 1..5, where x = Endpoint_number) on page 1160</i>

Table 163. Device-mode control and status registers (continued)

Acronym	Offset address	Register name
OTG_HS_DOEPINTx	0xB08 0xB28 ... 0xBA8	<i>OTG_HS device endpoint-x interrupt register (OTG_HS_DOEPINTx) (x = 0..5, where x = Endpoint_number) on page 1165</i>
OTG_HS_DOEPTSIzX	0xB30 0xB50 ... 0xBB0	<i>OTG_HS device endpoint-x transfer size register (OTG_HS_DOEPTSIzX) (x = 1..5, where x = Endpoint_number) on page 1169</i>

Data FIFO (DFIFO) access register map

These registers, available in both host and peripheral modes, are used to read or write the FIFO space for a specific endpoint or a channel, in a given direction. If a host channel is of type IN, the FIFO can only be read on the channel. Similarly, if a host channel is of type OUT, the FIFO can only be written on the channel.

Table 164. Data FIFO (DFIFO) access register map

FIFO access register section	Address range	Access
Device IN Endpoint 0/Host OUT Channel 0: DFIFO Write Access Device OUT Endpoint 0/Host IN Channel 0: DFIFO Read Access	0x1000–0x1FFC	w r
Device IN Endpoint 1/Host OUT Channel 1: DFIFO Write Access Device OUT Endpoint 1/Host IN Channel 1: DFIFO Read Access	0x2000–0x2FFC	w r
...
Device IN Endpoint x ⁽¹⁾ /Host OUT Channel x ⁽¹⁾ : DFIFO Write Access Device OUT Endpoint x ⁽¹⁾ /Host IN Channel x ⁽¹⁾ : DFIFO Read Access	0xX000–0xXFFC	w r

1. Where x is 5 in peripheral mode and 11 in host mode.

Power and clock gating CSR map

There is a single register for power and clock gating. It is available in both host and peripheral modes.

Table 165. Power and clock gating control and status registers

Register name	Acronym	Offset address: 0xE00–0xFFF
Power and clock gating control register	OTG_HS_PCGCCTL	0xE00-0xE04
Reserved	-	0xE05–0xFFFF

30.12.2 OTG_HS global registers

These registers are available in both host and peripheral modes, and do not need to be reprogrammed when switching between these modes.

Bit values in the register descriptions are expressed in binary unless otherwise specified.

OTG_HS control and status register (OTG_HS_GOTGCTL)

Address offset: 0x000

Reset value: 0x0001 0000

The OTG control and status register controls the behavior and reflects the status of the OTG function of the core.

31	30	29	28	27	26	25	24	23	22	21	20	19	18	17	16	15	14	13	12	11	10	9	8	7	6	5	4	3	2	1	0
Reserved												BSVLD	ASVLD	DBCT	CIDSTS	Reserved				DHNPEN	HSHNPEN	HNPRQ	HNGSCS	Reserved				SRQ	SRQSCS		
												r	r	r	r					rw	rw	rw	r					rw	r		

Bits 31:20 Reserved, must be kept at reset value.

Bit 19 **BSVLD**: B-session valid

Indicates the peripheral mode transceiver status.

0: B-session is not valid.

1: B-session is valid.

In OTG mode, you can use this bit to determine if the device is connected or disconnected.

Note: Only accessible in peripheral mode.

Bit 18 **ASVLD**: A-session valid

Indicates the host mode transceiver status.

0: A-session is not valid

1: A-session is valid

Note: Only accessible in host mode.

Bit 17 **DBCT**: Long/short debounce time

Indicates the debounce time of a detected connection.

0: Long debounce time, used for physical connections (100 ms + 2.5 μs)

1: Short debounce time, used for soft connections (2.5 μs)

Note: Only accessible in host mode.

Bit 16 **CIDSTS**: Connector ID status

Indicates the connector ID status on a connect event.

0: The OTG_HS controller is in A-device mode

1: The OTG_HS controller is in B-device mode

Note: Accessible in both peripheral and host modes.

Bits 15:12 Reserved, must be kept at reset value.

Bit 11 **DHNPEN**: Device HNP enabled

The application sets this bit when it successfully receives a SetFeature.SetHNPEnable command from the connected USB host.

0: HNP is not enabled in the application

1: HNP is enabled in the application

Note: Only accessible in peripheral mode.

Bit 10 HSHNPEN: Host set HNP enable

The application sets this bit when it has successfully enabled HNP (using the SetFeature.SetHNPEnable command) on the connected device.

- 0: Host Set HNP is not enabled
- 1: Host Set HNP is enabled

Note: Only accessible in host mode.

Bit 9 HNPRQ: HNP request

The application sets this bit to initiate an HNP request to the connected USB host. The application can clear this bit by writing a 0 when the host negotiation success status change bit in the OTG interrupt register (HNSSCHG bit in OTG_HS_GOTGINT) is set. The core clears this bit when the HNSSCHG bit is cleared.

- 0: No HNP request
- 1: HNP request

Note: Only accessible in peripheral mode.

Bit 8 HNGSCS: Host negotiation success

The core sets this bit when host negotiation is successful. The core clears this bit when the HNP Request (HNPRQ) bit in this register is set.

- 0: Host negotiation failure
- 1: Host negotiation success

Note: Only accessible in peripheral mode.

Bits 7:2 Reserved, must be kept at reset value.

Bit 1 SRQ: Session request

The application sets this bit to initiate a session request on the USB. The application can clear this bit by writing a 0 when the host negotiation success status change bit in the OTG Interrupt register (HNSSCHG bit in OTG_HS_GOTGINT) is set. The core clears this bit when the HNSSCHG bit is cleared.

If you use the USB 1.1 full-speed serial transceiver interface to initiate the session request, the application must wait until V_{BUS} discharges to 0.2 V, after the B-Session Valid bit in this register (BSVLD bit in OTG_HS_GOTGCTL) is cleared.

- 0: No session request
- 1: Session request

Note: Only accessible in peripheral mode.

Bit 0 SRQSCS: Session request success

The core sets this bit when a session request initiation is successful.

- 0: Session request failure
- 1: Session request success

Note: Only accessible in peripheral mode.

OTG_HS interrupt register (OTG_HS_GOTGINT)

Address offset: 0x04

Reset value: 0x0000 0000

The application reads this register whenever there is an OTG interrupt and clears the bits in this register to clear the OTG interrupt.

31	30	29	28	27	26	25	24	23	22	21	20	19	18	17	16	15	14	13	12	11	10	9	8	7	6	5	4	3	2	1	0
Reserved												DBCONE	ADTOCHG	HNGDET	Reserved										HNSSCHG	SRSSCHG	Reserved			SEDET	Res.
												rc_w1	rc_w1	rc_w1											rc_w1	rc_w1				rc_w1	

Bits 31:20 Reserved, must be kept at reset value.

Bit 19 **DBCONE**: Debounce done

The core sets this bit when the debounce is completed after the device connect. The application can start driving USB reset after seeing this interrupt. This bit is only valid when the HNP Capable or SRP Capable bit is set in the Core USB Configuration register (HNPCAP bit or SRPCAP bit in OTG_HS_GUSBCFG, respectively).

Note: Only accessible in host mode.

Bit 18 **ADTOCHG**: A-device timeout change

The core sets this bit to indicate that the A-device has timed out while waiting for the B-device to connect.

Note: Accessible in both peripheral and host modes.

Bit 17 **HNGDET**: Host negotiation detected

The core sets this bit when it detects a host negotiation request on the USB.

Note: Accessible in both peripheral and host modes.

Bits 16:10 Reserved, must be kept at reset value.

Bit 9 **HNSSCHG**: Host negotiation success status change

The core sets this bit on the success or failure of a USB host negotiation request. The application must read the host negotiation success bit of the OTG Control and Status register (HNGSCS in OTG_HS_GOTGCTL) to check for success or failure.

Note: Accessible in both peripheral and host modes.

Bits 7:3 Reserved, must be kept at reset value.

Bit 8 **SRSSCHG**: Session request success status change

The core sets this bit on the success or failure of a session request. The application must read the session request success bit in the OTG Control and status register (SRQSCS bit in OTG_HS_GOTGCTL) to check for success or failure.

Note: Accessible in both peripheral and host modes.

Bit 2 **SEDET**: Session end detected

The core sets this bit to indicate that the level of the voltage on V_{BUS} is no longer valid for a B-device session when $V_{BUS} < 0.8 V$.

Bits 1:0 Reserved, must be kept at reset value.

OTG_HS AHB configuration register (OTG_HS_GAHBCFG)

Address offset: 0x008

Reset value: 0x0000 0000

This register can be used to configure the core after power-on or a change in mode. This register mainly contains AHB system-related configuration parameters. Do not change this register after the initial programming. The application must program this register before starting any transactions on either the AHB or the USB.

31	30	29	28	27	26	25	24	23	22	21	20	19	18	17	16	15	14	13	12	11	10	9	8	7	6	5	4	3	2	1	0
Reserved																							PTXFELVL	TXFELVL	Reserved	DMAEN	HBSTLEN				GINT
																							r/w	r/w		r/w	r/w	r/w	r/w	r/w	r/w

Bits 31:20 Reserved, must be kept at reset value.

Bit 8 **PTXFELVL**: Periodic Tx FIFO empty level

Indicates when the periodic Tx FIFO empty interrupt bit in the Core interrupt register (PTXFE bit in OTG_HS_GINTSTS) is triggered.

0: PTXFE (in OTG_HS_GINTSTS) interrupt indicates that the Periodic Tx FIFO is half empty
 1: PTXFE (in OTG_HS_GINTSTS) interrupt indicates that the Periodic Tx FIFO is completely empty

Note: Only accessible in host mode.

Bit 7 **TXFELVL**: Tx FIFO empty level

In peripheral mode, this bit indicates when the IN endpoint Transmit FIFO empty interrupt (TXFE in OTG_HS_DIEPINTx) is triggered.

0: TXFE (in OTG_HS_DIEPINTx) interrupt indicates that the IN Endpoint Tx FIFO is half empty
 1: TXFE (in OTG_HS_DIEPINTx) interrupt indicates that the IN Endpoint Tx FIFO is completely empty

Note: Only accessible in peripheral mode.

Bit 6 Reserved, must be kept at reset value.

Bits 5 **DMAEN**: DMA enable

0: The core operates in slave mode
 1: The core operates in DMA mode

Bits 4:1 **HBSTLEN**: Burst length/type

0000 Single
 0001 INCR
 0011 INCR4
 0101 INCR8
 0111 INCR16
 Others: Reserved

Bit 0 **GINT**: Global interrupt mask

This bit is used to mask or unmask the interrupt line assertion to the application. Irrespective of this bit setting, the interrupt status registers are updated by the core.

0: Mask the interrupt assertion to the application.
 1: Unmask the interrupt assertion to the application

Note: Accessible in both peripheral and host modes.

OTG_HS USB configuration register (OTG_HS_GUSBCFG)

Address offset: 0x00C

Reset value: 0x0000 1440

This register can be used to configure the core after power-on or a changing to host mode or peripheral mode. It contains USB and USB-PHY related configuration parameters. The application must program this register before starting any transactions on either the AHB or the USB. Do not make changes to this register after the initial programming.

31	30	29	28	27	26	25	24	23	22	21	20	19	18	17	16	15	14	13	12	11	10	9	8	7	6	5	4	3	2	1	0
CTXPKT	FDMOD	FHMOD	Reserved			ULPIIPD	PTCI	PCCI	TSDPS	ULPIEBUSI	ULPIEBUSD	ULPICSM	ULPIAR	ULPIFSL	Reserved	PHYLPCS	Reserved	TRDT			HNPCAP	SRPCAP	Reserved	PHYSEL	Reserved			TOCAL			
rw	rw	rw				rw	rw	rw	rw	rw	rw	rw	rw	rw		rw		rw			rw	rw		rw				rw			

Bit 31 **CTXPKT**: Corrupt Tx packet

This bit is for debug purposes only. Never set this bit to 1.

Note: Accessible in both peripheral and host modes.

Bit 30 **FDMOD**: Forced peripheral mode

Writing a 1 to this bit forces the core to peripheral mode irrespective of the OTG_HS_ID input pin.

- 0: Normal mode
- 1: Forced peripheral mode

After setting the force bit, the application must wait at least 25 ms before the change takes effect.

Note: Accessible in both peripheral and host modes.

Bit 29 **FHMOD**: Forced host mode

Writing a 1 to this bit forces the core to host mode irrespective of the OTG_HS_ID input pin.

- 0: Normal mode
- 1: Forced host mode

After setting the force bit, the application must wait at least 25 ms before the change takes effect.

Note: Accessible in both peripheral and host modes.

Bits 28:26 Reserved, must be kept at reset value.

Bit 25 **ULPIIPD**: ULPI interface protect disable

This bit controls the circuitry built in the PHY to protect the ULPI interface when the link tri-states stp and data. Any pull-up or pull-down resistors employed by this feature can be disabled. Refer to the ULPI specification for more details.

- 0: Enables the interface protection circuit
- 1: Disables the interface protection circuit

Bit 24 **PTCI**: Indicator pass through

This bit controls whether the complement output is qualified with the internal V_{BUS} valid comparator before being used in the V_{BUS} state in the RX CMD. Refer to the ULPI specification for more details.

- 0: Complement Output signal is qualified with the Internal V_{BUS} valid comparator
- 1: Complement Output signal is not qualified with the Internal V_{BUS} valid comparator

- Bit 23 **PCCI**: Indicator complement
 This bit controls the PHY to invert the ExternalVbusIndicator input signal, and generate the complement output. Refer to the ULPI specification for more details.
 0: PHY does not invert the ExternalVbusIndicator signal
 1: PHY inverts ExternalVbusIndicator signal
- Bit 22 **TSDPS**: TermSel DLine pulsing selection
 This bit selects utmi_termselect to drive the data line pulse during SRP (session request protocol).
 0: Data line pulsing using utmi_txvalid (default)
 1: Data line pulsing using utmi_termsel
- Bit 21 **ULPIEVBUSI**: ULPI external V_{BUS} indicator
 This bit indicates to the ULPI PHY to use an external V_{BUS} overcurrent indicator.
 0: PHY uses an internal V_{BUS} valid comparator
 1: PHY uses an external V_{BUS} valid comparator
- Bit 20 **ULPIEVBUSD**: ULPI External V_{BUS} Drive
 This bit selects between internal or external supply to drive 5 V on V_{BUS}, in the ULPI PHY.
 0: PHY drives V_{BUS} using internal charge pump (default)
 1: PHY drives V_{BUS} using external supply.
- Bit 19 **ULPICSM**: ULPI Clock SuspendM
 This bit sets the ClockSuspendM bit in the interface control register on the ULPI PHY. This bit applies only in the serial and carkit modes.
 0: PHY powers down the internal clock during suspend
 1: PHY does not power down the internal clock
- Bit 18 **ULPIAR**: ULPI Auto-resume
 This bit sets the AutoResume bit in the interface control register on the ULPI PHY.
 0: PHY does not use AutoResume feature
 1: PHY uses AutoResume feature
- Bit 17 **ULPIFSL**: ULPI FS/LS select
 The application uses this bit to select the FS/LS serial interface for the ULPI PHY. This bit is valid only when the FS serial transceiver is selected on the ULPI PHY.
 0: ULPI interface
 1: ULPI FS/LS serial interface
- Bit 16 Reserved, must be kept at reset value.
- Bit 15 **PHYLPCS**: PHY Low-power clock select
 This bit selects either 480 MHz or 48 MHz (low-power) PHY mode. In FS and LS modes, the PHY can usually operate on a 48 MHz clock to save power.
 0: 480 MHz internal PLL clock
 1: 48 MHz external clock
 In 480 MHz mode, the UTMI interface operates at either 60 or 30 MHz, depending on whether the 8- or 16-bit data width is selected. In 48 MHz mode, the UTMI interface operates at 48 MHz in FS and LS modes.
- Bit 14 Reserved, must be kept at reset value.
- Bits 13:10 **TRDT**: USB turnaround time
 These bits allow to set the turnaround time in PHY clocks. They must be configured according to [Table 166: TRDT values](#), depending on the application AHB frequency. Higher TRDT values allow stretching the USB response time to IN tokens in order to compensate for longer AHB read access latency to the Data FIFO.

Bit 9 **HNPCAP**: HNP-capable

The application uses this bit to control the OTG_HS controller’s HNP capabilities.

0: HNP capability is not enabled

1: HNP capability is enabled

Note: Accessible in both peripheral and host modes.

Bit 8 **SRPCAP**: SRP-capable

The application uses this bit to control the OTG_HS controller’s SRP capabilities. If the core operates as a nonSRP-capable B-device, it cannot request the connected A-device (host) to activate V_{BUS} and start a session.

0: SRP capability is not enabled

1: SRP capability is enabled

Note: Accessible in both peripheral and host modes.

Bit 7 Reserved, must be kept at reset value.

Bit 6 **PHYSEL**: USB 2.0 high-speed ULPI PHY or USB 1.1 full-speed serial transceiver select

0: USB 2.0 high-speed ULPI PHY

1: USB 1.1 full-speed serial transceiver

Bits 5:3 Reserved, must be kept at reset value.

Bits 2:0 **TOTAL**: FS timeout calibration

The number of PHY clocks that the application programs in this field is added to the full-speed interpacket timeout duration in the core to account for any additional delays introduced by the PHY. This can be required, because the delay introduced by the PHY in generating the line state condition can vary from one PHY to another.

The USB standard timeout value for full-speed operation is 16 to 18 (inclusive) bit times. The application must program this field based on the speed of enumeration. The number of bit times added per PHY clock is 0.25 bit times.

Table 166. TRDT values

AHB frequency range (MHz)		TRDT minimum value
Min.	Max	
30	-	0x9

OTG_HS reset register (OTG_HS_GRSTCTL)

Address offset: 0x010

Reset value: 0x8000 0000

The application uses this register to reset various hardware features inside the core.

31	30	29	28	27	26	25	24	23	22	21	20	19	18	17	16	15	14	13	12	11	10	9	8	7	6	5	4	3	2	1	0
AHBIDL	DMAREQ	Reserved														TXFNUM		TXFFLSH	TXFFLSH	Reserved	FCRST	HSRST	CSRST								
r	r															rw		rs	rs		rs	rs	rs								

Bit 31 **AHBIDL**: AHB master idle

Indicates that the AHB master state machine is in the Idle condition.

Note: Accessible in both peripheral and host modes.

Bit 30 **DMAREQ**: DMA request signal

This bit indicates that the DMA request is in progress. Used for debug.

Bits 29:11 Reserved, must be kept at reset value.

Bits 10:6 **TXFNUM**: TxFIFO number

This is the FIFO number that must be flushed using the TxFIFO Flush bit. This field must not be changed until the core clears the TxFIFO Flush bit.

00000:

- Nonperiodic TxFIFO flush in host mode
- Tx FIFO 0 flush in peripheral mode

00001:

- Periodic TxFIFO flush in host mode
- TXFIFO 1 flush in peripheral mode

00010: TXFIFO 2 flush in peripheral mode

...

00101: TXFIFO 15 flush in peripheral mode

10000: Flush all the transmit FIFOs in peripheral or host mode.

Note: Accessible in both peripheral and host modes.

Bit 5 **TXFFLSH**: TxFIFO flush

This bit selectively flushes a single or all transmit FIFOs, but cannot do so if the core is in the midst of a transaction.

The application must write this bit only after checking that the core is neither writing to the TxFIFO nor reading from the TxFIFO. Verify using these registers:

- Read: the NAK effective interrupt ensures the core is not reading from the FIFO
- Write: the AHBIDL bit in OTG_HS_GRSTCTL ensures that the core is not writing anything to the FIFO

Note: Accessible in both peripheral and host modes.

Bit 4 **RXFFLSH**: RxFIFO flush

The application can flush the entire RxFIFO using this bit, but must first ensure that the core is not in the middle of a transaction.

The application must only write to this bit after checking that the core is neither reading from the RxFIFO nor writing to the RxFIFO.

The application must wait until the bit is cleared before performing any other operation. This bit requires 8 clocks (slowest of PHY or AHB clock) to be cleared.

Note: Accessible in both peripheral and host modes.

Bit 3 Reserved, must be kept at reset value.

Bit 2 FCRST: Host frame counter reset

The application writes this bit to reset the (micro) frame number counter inside the core. When the (micro) frame counter is reset, the subsequent SOF sent out by the core has a frame number of 0.

Note: Only accessible in host mode.

Bit 1 HSRST: HCLK soft reset

The application uses this bit to flush the control logic in the AHB Clock domain. Only AHB Clock Domain pipelines are reset.

FIFOs are not flushed with this bit.

All state machines in the AHB clock domain are reset to the Idle state after terminating the transactions on the AHB, following the protocol.

CSR control bits used by the AHB clock domain state machines are cleared.

To clear this interrupt, status mask bits that control the interrupt status and are generated by the AHB clock domain state machine are cleared.

Because interrupt status bits are not cleared, the application can get the status of any core events that occurred after it set this bit.

This is a self-clearing bit that the core clears after all necessary logic is reset in the core. This can take several clocks, depending on the core's current state.

Note: Accessible in both peripheral and host modes.

Bit 0 CSRST: Core soft reset

Resets the HCLK and PCLK domains as follows:

Clears the interrupts and all the CSR register bits except for the following bits:

- RSTPDMODL bit in OTG_HS_PCGCCTL
- GAYEHCLK bit in OTG_HS_PCGCCTL
- PWRCLMP bit in OTG_HS_PCGCCTL
- STPPCLK bit in OTG_HS_PCGCCTL
- FSLSPCS bit in OTG_HS_HCFG
- DSPD bit in OTG_HS_DCFG

All module state machines (except for the AHB slave unit) are reset to the Idle state, and all the transmit FIFOs and the receive FIFO are flushed.

Any transactions on the AHB Master are terminated as soon as possible, after completing the last data phase of an AHB transfer. Any transactions on the USB are terminated immediately.

The application can write to this bit any time it wants to reset the core. This is a self-clearing bit and the core clears this bit after all the necessary logic is reset in the core, which can take several clocks, depending on the current state of the core. Once this bit has been cleared, the software must wait at least 3 PHY clocks before accessing the PHY domain (synchronization delay). The software must also check that bit 31 in this register is set to 1 (AHB Master is Idle) before starting any operation.

Typically, the software reset is used during software development and also when you dynamically change the PHY selection bits in the above listed USB configuration registers. When you change the PHY, the corresponding clock for the PHY is selected and used in the PHY domain. Once a new clock is selected, the PHY domain has to be reset for proper operation.

Note: Accessible in both peripheral and host modes.

OTG_HS core interrupt register (OTG_HS_GINTSTS)

Address offset: 0x014

Reset value: 0x0400 0020

This register interrupts the application for system-level events in the current mode (peripheral mode or host mode).

Some of the bits in this register are valid only in host mode, while others are valid in peripheral mode only. This register also indicates the current mode. To clear the interrupt status bits of the rc_w1 type, the application must write 1 into the bit.

The FIFO status interrupts are read-only; once software reads from or writes to the FIFO while servicing these interrupts, FIFO interrupt conditions are cleared automatically.

The application must clear the OTG_HS_GINTSTS register at initialization before unmasking the interrupt bit to avoid any interrupts generated prior to initialization.

31	30	29	28	27	26	25	24	23	22	21	20	19	18	17	16	15	14	13	12	11	10	9	8	7	6	5	4	3	2	1	0
WKUINT	SRQINT	DISCINT	CIDSCHG	Reserved	PTXFE	HCINT	HPRTINT	Reserved	DATAFSUSP	IPXFR/INCOMP/ISOOUT	IISOXFR	OEPIINT	IEPIINT	Reserved	EOFP	ISOODRP	ENUMDNE	USBRST	USBSUSP	ESUSP	Reserved	GONAKEFF	GINAKEFF	NPTXFE	RXFLVL	SOF	OTGINT	MMIS	CMOD		
rc_w1					r	r	r			rc_w1		r	r		rc_w1						r	r	r	r	rc_w1	r	rc_w1	r			

- Bit 31 WKUPIINT:** Resume/remote wake-up detected interrupt
 In peripheral mode, this interrupt is asserted when a resume is detected on the USB. In host mode, this interrupt is asserted when a remote wake-up is detected on the USB.
Note: Accessible in both peripheral and host modes.
- Bit 30 SRQINT:** Session request/new session detected interrupt
 In host mode, this interrupt is asserted when a session request is detected from the device. In peripheral mode, this interrupt is asserted when V_{BUS} is in the valid range for a B-device device. Accessible in both peripheral and host modes.
- Bit 29 DISCINT:** Disconnect detected interrupt
 Asserted when a device disconnect is detected.
Note: Only accessible in host mode.
- Bit 28 CIDSCHG:** Connector ID status change
 The core sets this bit when there is a change in connector ID status.
Note: Accessible in both peripheral and host modes.
- Bit 27** Reserved, must be kept at reset value.
- Bit 26 PTXFE:** Periodic Tx FIFO empty
 Asserted when the periodic transmit FIFO is either half or completely empty and there is space for at least one entry to be written in the periodic request queue. The half or completely empty status is determined by the periodic Tx FIFO empty level bit in the Core AHB configuration register (PTXFELVL bit in OTG_HS_GAHBCFG).
Note: Only accessible in host mode.

Bit 25 HCINT: Host channels interrupt

The core sets this bit to indicate that an interrupt is pending on one of the channels of the core (in host mode). The application must read the host all channels interrupt (OTG_HS_HAINT) register to determine the exact number of the channel on which the interrupt occurred, and then read the corresponding host channel-x interrupt (OTG_HS_HCINTx) register to determine the exact cause of the interrupt. The application must clear the appropriate status bit in the OTG_HS_HCINTx register to clear this bit.

Note: Only accessible in host mode.

Bit 24 HPRTINT: Host port interrupt

The core sets this bit to indicate a change in port status of one of the OTG_HS controller ports in host mode. The application must read the host port control and status (OTG_HS_HPRT) register to determine the exact event that caused this interrupt. The application must clear the appropriate status bit in the host port control and status register to clear this bit.

Note: Only accessible in host mode.

Bits 23 Reserved, must be kept at reset value.

Bit 22 DATAFSUSP: Data fetch suspended

This interrupt is valid only in DMA mode. This interrupt indicates that the core has stopped fetching data for IN endpoints due to the unavailability of TxFIFO space or request queue space. This interrupt is used by the application for an endpoint mismatch algorithm. For example, after detecting an endpoint mismatch, the application:

- Sets a global nonperiodic IN NAK handshake
 - Disables IN endpoints
 - Flushes the FIFO
 - Determines the token sequence from the IN token sequence learning queue
 - Re-enables the endpoints
 - Clears the global nonperiodic IN NAK handshake
- If the global nonperiodic IN NAK is cleared, the core has not yet fetched data for the IN endpoint, and the IN token is received: the core generates an “IN token received when FIFO empty” interrupt. The OTG then sends a NAK response to the host. To avoid this scenario, the application can check the FetSusp interrupt in OTG_HS_GINTSTS, which ensures that the FIFO is full before clearing a global NAK handshake. Alternatively, the application can mask the “IN token received when FIFO empty” interrupt when clearing a global IN NAK handshake.

Bit 21 IPXFR: Incomplete periodic transfer

In host mode, the core sets this interrupt bit when there are incomplete periodic transactions still pending, which are scheduled for the current frame.

Note: Only accessible in host mode.

INCOMPISOOUT: Incomplete isochronous OUT transfer

In peripheral mode, the core sets this interrupt to indicate that there is at least one isochronous OUT endpoint on which the transfer is not completed in the current frame. This interrupt is asserted along with the End of periodic frame interrupt (EOPF) bit in this register.

Note: Only accessible in peripheral mode.

Bit 20 IISOIXFR: Incomplete isochronous IN transfer

The core sets this interrupt to indicate that there is at least one isochronous IN endpoint on which the transfer is not completed in the current frame. This interrupt is asserted along with the End of periodic frame interrupt (EOPF) bit in this register.

Note: Only accessible in peripheral mode.

- Bit 19 **OEPINT**: OUT endpoint interrupt
- The core sets this bit to indicate that an interrupt is pending on one of the OUT endpoints of the core (in peripheral mode). The application must read the device all endpoints interrupt (OTG_HS_DAIN) register to determine the exact number of the OUT endpoint on which the interrupt occurred, and then read the corresponding device OUT Endpoint-x Interrupt (OTG_HS_DOEPINTx) register to determine the exact cause of the interrupt. The application must clear the appropriate status bit in the corresponding OTG_HS_DOEPINTx register to clear this bit.
- Note: Only accessible in peripheral mode.*
- Bit 18 **IIEPINT**: IN endpoint interrupt
- The core sets this bit to indicate that an interrupt is pending on one of the IN endpoints of the core (in peripheral mode). The application must read the device All Endpoints Interrupt (OTG_HS_DAIN) register to determine the exact number of the IN endpoint on which the interrupt occurred, and then read the corresponding device IN Endpoint-x interrupt (OTG_HS_DIEPINTx) register to determine the exact cause of the interrupt. The application must clear the appropriate status bit in the corresponding OTG_HS_DIEPINTx register to clear this bit.
- Note: Only accessible in peripheral mode.*
- Bits 17:16 Reserved, must be kept at reset value.
- Bit 15 **EOPF**: End of periodic frame interrupt
- Indicates that the period specified in the periodic frame interval field of the device configuration register (PFIVL bit in OTG_HS_DCFG) has been reached in the current frame.
- Note: Only accessible in peripheral mode.*
- Bit 14 **ISOODRP**: Isochronous OUT packet dropped interrupt
- The core sets this bit when it fails to write an isochronous OUT packet into the RxFIFO because the RxFIFO does not have enough space to accommodate a maximum size packet for the isochronous OUT endpoint.
- Note: Only accessible in peripheral mode.*
- Bit 13 **ENUMDNE**: Enumeration done
- The core sets this bit to indicate that speed enumeration is complete. The application must read the device Status (OTG_HS_DSTS) register to obtain the enumerated speed.
- Note: Only accessible in peripheral mode.*
- Bit 12 **USBRST**: USB reset
- The core sets this bit to indicate that a reset is detected on the USB.
- Note: Only accessible in peripheral mode.*
- Bit 11 **USBSUSP**: USB suspend
- The core sets this bit to indicate that a suspend was detected on the USB. The core enters the Suspended state when there is no activity on the data lines for a period of 3 ms.
- Note: Only accessible in peripheral mode.*
- Bit 10 **ESUSP**: Early suspend
- The core sets this bit to indicate that an Idle state has been detected on the USB for 3 ms.
- Note: Only accessible in peripheral mode.*
- Bits 9:8 Reserved, must be kept at reset value.

- Bit 7 GONAKEFF:** Global OUT NAK effective
 Indicates that the Set global OUT NAK bit in the Device control register (SGONAK bit in OTG_HS_DCTL), set by the application, has taken effect in the core. This bit can be cleared by writing the Clear global OUT NAK bit in the Device control register (CGONAK bit in OTG_HS_DCTL).
Note: Only accessible in peripheral mode.
- Bit 6 GINAKEFF:** Global IN nonperiodic NAK effective
 Indicates that the Set global nonperiodic IN NAK bit in the Device control register (SGINAK bit in OTG_HS_DCTL), set by the application, has taken effect in the core. That is, the core has sampled the Global IN NAK bit set by the application. This bit can be cleared by clearing the Clear global nonperiodic IN NAK bit in the Device control register (CGINAK bit in OTG_HS_DCTL).
 This interrupt does not necessarily mean that a NAK handshake is sent out on the USB. The STALL bit takes precedence over the NAK bit.
Note: Only accessible in peripheral mode.
- Bit 5 NPTXFE:** Nonperiodic TxFIFO empty
 This interrupt is asserted when the nonperiodic TxFIFO is either half or completely empty, and there is space in at least one entry to be written to the nonperiodic transmit request queue. The half or completely empty status is determined by the nonperiodic TxFIFO empty level bit in the OTG_HS_GAHBCFG register (TXFELVL bit in OTG_HS_GAHBCFG).
Note: Only accessible in host mode.
- Bit 4 RXFLVL:** RxFIFO nonempty
 Indicates that there is at least one packet pending to be read from the RxFIFO.
Note: Accessible in both host and peripheral modes.
- Bit 3 SOF:** Start of frame
 In host mode, the core sets this bit to indicate that an SOF (FS), or Keep-Alive (LS) is transmitted on the USB. The application must write a 1 to this bit to clear the interrupt.
 In peripheral mode, the core sets this bit to indicate that an SOF token has been received on the USB. The application can read the Device Status register to get the current frame number. This interrupt is seen only when the core is operating in FS.
Note: Accessible in both host and peripheral modes.
- Bit 2 OTGINT:** OTG interrupt
 The core sets this bit to indicate an OTG protocol event. The application must read the OTG Interrupt Status (OTG_HS_GOTGINT) register to determine the exact event that caused this interrupt. The application must clear the appropriate status bit in the OTG_HS_GOTGINT register to clear this bit.
Note: Accessible in both host and peripheral modes.
- Bit 1 MMIS:** Mode mismatch interrupt
 The core sets this bit when the application is trying to access:
 A host mode register, when the core is operating in peripheral mode
 A peripheral mode register, when the core is operating in host mode
 The register access is completed on the AHB with an OKAY response, but is ignored by the core internally and does not affect the operation of the core.
Note: Accessible in both host and peripheral modes.
- Bit 0 CMOD:** Current mode of operation
 Indicates the current mode.
 0: Peripheral mode
 1: Host mode
Note: Accessible in both host and peripheral modes.

OTG_HS interrupt mask register (OTG_HS_GINTMSK)

Address offset: 0x018

Reset value: 0x0000 0000

This register works with the Core interrupt register to interrupt the application. When an interrupt bit is masked, the interrupt associated with that bit is not generated. However, the Core Interrupt (OTG_HS_GINTSTS) register bit corresponding to that interrupt is still set.

31	30	29	28	27	26	25	24	23	22	21	20	19	18	17	16	15	14	13	12	11	10	9	8	7	6	5	4	3	2	1	0
WUIM	SRQIM	DISCINT	CIDSCHGM	Reserved	PTXFEM	HCIM	PRTIM	Reserved	FSUSPM	IPXFRM/IISOXFRM	IISOXFRM	OEPINT	IEPINT	Reserved	EOPFM	ISOODRPM	ENUMDNEM	USBRST	USBSUSPM	ESUSPM	Reserved	GONAKEFFM	GINAKEFFM	NPTXFEM	RXFLVLM	SOFM	OTGINT	MMISM	Reserved		
r/w	r/w	r/w	r/w		r/w	r/w	r/w		r/w	r/w	r/w	r/w	r/w		r/w	r/w	r/w	r/w	r/w	r/w		r/w	r/w	r/w	r/w	r/w	r/w	r/w	r/w		

Bit 31 **WUIM**: Resume/remote wake-up detected interrupt mask

- 0: Masked interrupt
- 1: Unmasked interrupt

Note: Accessible in both host and peripheral modes.

Bit 30 **SRQIM**: Session request/new session detected interrupt mask

- 0: Masked interrupt
- 1: Unmasked interrupt

Note: Accessible in both host and peripheral modes.

Bit 29 **DISCINT**: Disconnect detected interrupt mask

- 0: Masked interrupt
- 1: Unmasked interrupt

Note: Accessible in both host and peripheral modes.

Bit 28 **CIDSCHGM**: Connector ID status change mask

- 0: Masked interrupt
- 1: Unmasked interrupt

Note: Accessible in both host and peripheral modes.

Bit 27 Reserved, must be kept at reset value.

Bit 26 **PTXFEM**: Periodic Tx FIFO empty mask

- 0: Masked interrupt
- 1: Unmasked interrupt

Note: Only accessible in host mode.

Bit 25 **HCIM**: Host channels interrupt mask

- 0: Masked interrupt
- 1: Unmasked interrupt

Note: Only accessible in host mode.

Bit 24 **PRTIM**: Host port interrupt mask

- 0: Masked interrupt
- 1: Unmasked interrupt

Note: Only accessible in host mode.

Bit 23 Reserved, must be kept at reset value.



- Bit 22 **FSUSPM**: Data fetch suspended mask
0: Masked interrupt
1: Unmasked interrupt
Note: Only accessible in peripheral mode.
- Bit 21 **IPXFRM**: Incomplete periodic transfer mask
0: Masked interrupt
1: Unmasked interrupt
Note: Only accessible in host mode.
IISOXFRM: Incomplete isochronous OUT transfer mask
0: Masked interrupt
1: Unmasked interrupt
Note: Only accessible in peripheral mode.
- Bit 20 **IISOIXFRM**: Incomplete isochronous IN transfer mask
0: Masked interrupt
1: Unmasked interrupt
Note: Only accessible in peripheral mode.
- Bit 19 **OEPINT**: OUT endpoints interrupt mask
0: Masked interrupt
1: Unmasked interrupt
Note: Only accessible in peripheral mode.
- Bit 18 **IEPINT**: IN endpoints interrupt mask
0: Masked interrupt
1: Unmasked interrupt
Note: Only accessible in peripheral mode.
- Bits 17:16 Reserved, must be kept at reset value.
- Bit 15 **EOPFM**: End of periodic frame interrupt mask
0: Masked interrupt
1: Unmasked interrupt
Note: Only accessible in peripheral mode.
- Bit 14 **IISOODRPM**: Isochronous OUT packet dropped interrupt mask
0: Masked interrupt
1: Unmasked interrupt
Note: Only accessible in peripheral mode.
- Bit 13 **ENUMDNEM**: Enumeration done mask
0: Masked interrupt
1: Unmasked interrupt
Note: Only accessible in peripheral mode.
- Bit 12 **USBRST**: USB reset mask
0: Masked interrupt
1: Unmasked interrupt
Note: Only accessible in peripheral mode.
- Bit 11 **USBSUSPM**: USB suspend mask
0: Masked interrupt
1: Unmasked interrupt
Note: Only accessible in peripheral mode.

- Bit 10 **ESUSPM**: Early suspend mask
0: Masked interrupt
1: Unmasked interrupt
Note: Only accessible in peripheral mode.
- Bits 9:8 Reserved, must be kept at reset value.
- Bit 7 **GONAKEFFM**: Global OUT NAK effective mask
0: Masked interrupt
1: Unmasked interrupt
Note: Only accessible in peripheral mode.
- Bit 6 **GINAKEFFM**: Global nonperiodic IN NAK effective mask
0: Masked interrupt
1: Unmasked interrupt
Note: Only accessible in peripheral mode.
- Bit 5 **NPTXFEM**: Nonperiodic TxFIFO empty mask
0: Masked interrupt
1: Unmasked interrupt
Note: Accessible in both peripheral and host modes.
- Bit 4 **RXFLVLM**: Receive FIFO nonempty mask
0: Masked interrupt
1: Unmasked interrupt
Note: Accessible in both peripheral and host modes.
- Bit 3 **SOFM**: Start of frame mask
0: Masked interrupt
1: Unmasked interrupt
Note: Accessible in both peripheral and host modes.
- Bit 2 **OTGINT**: OTG interrupt mask
0: Masked interrupt
1: Unmasked interrupt
Note: Accessible in both peripheral and host modes.
- Bit 1 **MMISM**: Mode mismatch interrupt mask
0: Masked interrupt
1: Unmasked interrupt
Note: Accessible in both peripheral and host modes.
- Bit 0 Reserved, must be kept at reset value.

OTG_HS Receive status debug read/OTG status read and pop registers (OTG_HS_GRXSTSR/OTG_HS_GRXSTSP)

Address offset for Read: 0x01C

Address offset for Pop: 0x020

Reset value: 0x0000 0000

A read to the Receive status debug read register returns the contents of the top of the Receive FIFO. A read to the Receive status read and pop register additionally pops the top data entry out of the RxFIFO.

The receive status contents must be interpreted differently in host and peripheral modes. The core ignores the receive status pop/read when the receive FIFO is empty and returns a value of 0x0000 0000. The application must only pop the Receive Status FIFO when the Receive FIFO nonempty bit of the Core interrupt register (RXFLVL bit in OTG_HS_GINTSTS) is asserted.

Host mode:

31	30	29	28	27	26	25	24	23	22	21	20	19	18	17	16	15	14	13	12	11	10	9	8	7	6	5	4	3	2	1	0
Reserved											PKTSTS	DPID	BCNT							CHNUM											
											r	r	r							r											

Bits 31:21 Reserved, must be kept at reset value.

Bits 20:17 **PKTSTS**: Packet status

- Indicates the status of the received packet
- 0010: IN data packet received
- 0011: IN transfer completed (triggers an interrupt)
- 0101: Data toggle error (triggers an interrupt)
- 0111: Channel halted (triggers an interrupt)
- Others: Reserved

Bits 16:15 **DPID**: Data PID

- Indicates the Data PID of the received packet
- 00: DATA0
- 10: DATA1
- 01: DATA2
- 11: MDATA

Bits 14:4 **BCNT**: Byte count

Indicates the byte count of the received IN data packet.

Bits 3:0 **CHNUM**: Channel number

Indicates the channel number to which the current received packet belongs.

Peripheral mode:

31	30	29	28	27	26	25	24	23	22	21	20	19	18	17	16	15	14	13	12	11	10	9	8	7	6	5	4	3	2	1	0
Reserved							FRMNUM	PKTSTS	DPID	BCNT							EPNUM														
							r	r	r	r							r														

Bits 31:25 Reserved, must be kept at reset value.

Bits 24:21 **FRMNUM**: Frame number
 This is the least significant 4 bits of the frame number in which the packet is received on the USB. This field is supported only when isochronous OUT endpoints are supported.

Bits 20:17 **PKTSTS**: Packet status
 Indicates the status of the received packet
 0001: Global OUT NAK (triggers an interrupt)
 0010: OUT data packet received
 0011: OUT transfer completed (triggers an interrupt)
 0100: SETUP transaction completed (triggers an interrupt)
 0110: SETUP data packet received
 Others: Reserved

Bits 16:15 **DPID**: Data PID
 Indicates the Data PID of the received OUT data packet
 00: DATA0
 10: DATA1
 01: DATA2
 11: MDATA

Bits 14:4 **BCNT**: Byte count
 Indicates the byte count of the received data packet.

Bits 3:0 **EPNUM**: Endpoint number
 Indicates the endpoint number to which the current received packet belongs.

OTG_HS Receive FIFO size register (OTG_HS_GRXFSIZ)

Address offset: 0x024

Reset value: 0x0000 0400

The application can program the RAM size that must be allocated to the RxFIFO.

31	30	29	28	27	26	25	24	23	22	21	20	19	18	17	16	15	14	13	12	11	10	9	8	7	6	5	4	3	2	1	0
Reserved																RXFD															
																rw															

Bits 31:16 Reserved, must be kept at reset value.

Bits 15:0 **RXFD**: RxFIFO depth
 This value is in terms of 32-bit words.
 Minimum value is 16
 Maximum value is 1024
 The power-on reset value of this register is specified as the largest Rx data FIFO depth.

OTG_HS nonperiodic transmit FIFO size/Endpoint 0 transmit FIFO size register (OTG_HS_GNPTXFSIZ/OTG_HS_TX0FSIZ)

Address offset: 0x028

Reset value: 0x0000 0200

Host mode:

31	30	29	28	27	26	25	24	23	22	21	20	19	18	17	16	15	14	13	12	11	10	9	8	7	6	5	4	3	2	1	0
NPTXFD																NPTXFSA															
rw																rw															

Bits 31:16 **NPTXFD**: Nonperiodic TxFIFO depth
 This value is in terms of 32-bit words.
 Minimum value is 16
 Maximum value is 1024

Bits 15:0 **NPTXFSA**: Nonperiodic transmit RAM start address
 This field contains the memory start address for nonperiodic transmit FIFO RAM.

Peripheral mode:

31	30	29	28	27	26	25	24	23	22	21	20	19	18	17	16	15	14	13	12	11	10	9	8	7	6	5	4	3	2	1	0
TX0FD																TX0FSA															
r/rw																r/rw															

Bits 31:16 **TX0FD**: Endpoint 0 TxFIFO depth
 This value is in terms of 32-bit words.
 Minimum value is 16
 Maximum value is 256

Bits 15:0 **TX0FSA**: Endpoint 0 transmit RAM start address
 This field contains the memory start address for Endpoint 0 transmit FIFO RAM.

OTG_HS nonperiodic transmit FIFO/queue status register (OTG_HS_GNPTXSTS)

Address offset: 0x02C

Reset value: 0x0008 0400

Note: In peripheral mode, this register is not valid.

This read-only register contains the free space information for the nonperiodic TxFIFO and the nonperiodic transmit request queue.

31	30	29	28	27	26	25	24	23	22	21	20	19	18	17	16	15	14	13	12	11	10	9	8	7	6	5	4	3	2	1	0
Reserved	NPTXQTOP								NPTQXSAV								NPTXFSAV														
	r								r								r														

Bit 31 Reserved, must be kept at reset value.

Bits 30:24 **NPTXQTOP**: Top of the nonperiodic transmit request queue

Entry in the nonperiodic Tx request queue that is currently being processed by the MAC.

Bits [30:27]: Channel/endpoint number

Bits [26:25]:

- 00: IN/OUT token
- 01: Zero-length transmit packet (device IN/host OUT)
- 10: PING/CSPLIT token
- 11: Channel halt command

Bit [24]: Terminate (last entry for selected channel/endpoint)

Bits 23:16 **NPTQXSAV**: Nonperiodic transmit request queue space available

Indicates the amount of free space available in the nonperiodic transmit request queue. This queue holds both IN and OUT requests in host mode. Peripheral mode has only IN requests.

00: Nonperiodic transmit request queue is full

01: dx1 location available

10: dx2 locations available

bxn: dxn locations available ($0 \leq n \leq dx8$)

Others: Reserved

Bits 15:0 **NPTXFSAV**: Nonperiodic TxFIFO space available

Indicates the amount of free space available in the nonperiodic TxFIFO.

Values are in terms of 32-bit words.

00: Nonperiodic TxFIFO is full

01: dx1 word available

10: dx2 words available

0xn: dxn words available (where $0 \leq n \leq dx1024$)

Others: Reserved

OTG_HS general core configuration register (OTG_HS_GCCFG)

Address offset: 0x038

Reset value: 0x0000 XXXX

31	30	29	28	27	26	25	24	23	22	21	20	19	18	17	16	15	14	13	12	11	10	9	8	7	6	5	4	3	2	1	0
Reserved										NOVBUSSENS	SOFOUTEN	VBUSSEN	VBUSASEN	I2CPADEN	PWRDWN	Reserved															
										rw	rw	rw	rw	rw	rw																

Bits 31:22 Reserved, must be kept at reset value.

Bit 21 **NOVBUSSENS**: V_{BUS} sensing disable option

When this bit is set, V_{BUS} is considered internally to be always at V_{BUS} valid level (5 V). This option removes the need for a dedicated V_{BUS} pad, and leave this pad free to be used for other purposes such as a shared functionality. V_{BUS} connection can be remapped on another general purpose input pad and monitored by software.

This option is only suitable for host-only or device-only applications.

0: V_{BUS} sensing available by hardware

1: V_{BUS} sensing not available by hardware.

Bit 20 **SOFOUTEN**: SOF output enable

0: SOF pulse not available on PAD

1: SOF pulse available on PAD

Bit 19 **VBUSBSEN**: Enable the V_{BUS} sensing “B” device

0: V_{BUS} sensing “B” disabled

1: V_{BUS} sensing “B” enabled

Bit 18 **VBUSASEN**: Enable the V_{BUS} sensing “A” device

0: V_{BUS} sensing “A” disabled

1: V_{BUS} sensing “A” enabled

Bit 17 **I2CPADEN**: Enable I²C bus connection for the external I²C PHY interface.

0: I²C bus disabled

1: I²C bus enabled

Bit 16 **PWRDWN**: Power down

Used to activate the transceiver in transmission/reception

0: Power down active

1: Power down deactivated (“Transceiver active”)

Bits 15:0 Reserved, must be kept at reset value.

OTG_HS core ID register (OTG_HS_CID)

Address offset: 0x03C

Reset value: 0x0000 1100

This is a register containing the Product ID as reset value.

31	30	29	28	27	26	25	24	23	22	21	20	19	18	17	16	15	14	13	12	11	10	9	8	7	6	5	4	3	2	1	0
PRODUCT_ID																															
rw	rw	rw	rw	rw	rw	rw	rw	rw	rw	rw	rw	rw	rw	rw	rw	rw	rw	rw	rw	rw	rw	rw	rw	rw	rw	rw	rw	rw	rw	rw	rw

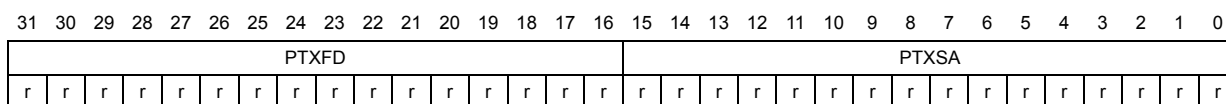
Bits 31:0 **PRODUCT_ID**: Product ID field

Application-programmable ID field.

OTG_HS Host periodic transmit FIFO size register (OTG_HS_HPTXFSIZ)

Address offset: 0x100

Reset value: 0x0200 0800



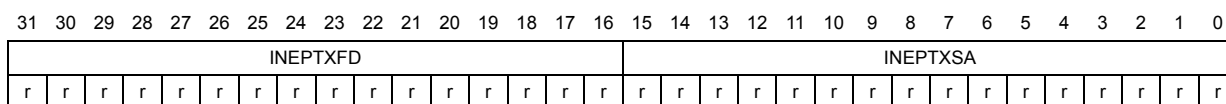
Bits 31:16 **PTXFD**: Host periodic Tx FIFO depth
 This value is in terms of 32-bit words.
 Minimum value is 16
 Maximum value is 512

Bits 15:0 **PTXSA**: Host periodic Tx FIFO start address
 The power-on reset value of this register is the sum of the largest Rx data FIFO depth and largest nonperiodic Tx data FIFO depth.

OTG_HS device IN endpoint transmit FIFO size register (OTG_HS_DIEPTXF_x) (x = 1..5, where x is the FIFO_{number})

Address offset: 0x104 + 0x04 * (x - 1)

Reset value: 0x02000400



Bits 31:16 **INEPTXFD**: IN endpoint Tx FIFO depth
 This value is in terms of 32-bit words.
 Minimum value is 16
 Maximum value is 512
 The power-on reset value of this register is specified as the largest IN endpoint FIFO number depth.

Bits 15:0 **INEPTXSA**: IN endpoint FIFOx transmit RAM start address
 This field contains the memory start address for IN endpoint transmit FIFOx. The address must be aligned with a 32-bit memory location.

30.12.3 Host-mode registers

Bit values in the register descriptions are expressed in binary unless otherwise specified.

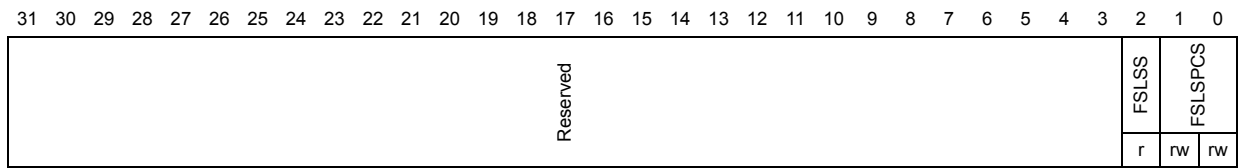
Host-mode registers affect the operation of the core in the host mode. Host mode registers must not be accessed in peripheral mode, as the results are undefined. Host mode registers can be categorized as follows:

OTG_HS host configuration register (OTG_HS_HCFG)

Address offset: 0x400

Reset value: 0x0000 0000

This register configures the core after power-on. Do not change to this register after initializing the host.



Bits 31:3 Reserved, must be kept at reset value.

Bit 2 **FSLSS**: FS- and LS-only support

The application uses this bit to control the core's enumeration speed. Using this bit, the application can make the core enumerate as an FS host, even if the connected device supports HS traffic. Do not make changes to this field after initial programming.

0: HS/FS/LS, based on the maximum speed supported by the connected device

1: FS/LS-only, even if the connected device can support HS (read-only)

Bits 1:0 **FSLSPCS**: FS/LS PHY clock select

When the core is in FS host mode:

01: PHY clock is running at 48 MHz

Others: Reserved

When the core is in LS host mode:

00: Reserved

01: PHY clock is running at 48 MHz.

10: Select 6 MHz PHY clock frequency

11: Reserved

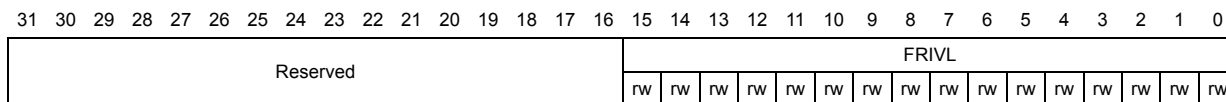
Note: The FSLSPCS bit must be set on a connection event according to the speed of the connected device. A software reset must be performed after changing this bit.

OTG_HS Host frame interval register (OTG_HS_HFIR)

Address offset: 0x404

Reset value: 0x0000 EA60

This register stores the frame interval information for the current speed to which the OTG_HS controller has enumerated.



Bits 31:16 Reserved, must be kept at reset value.

Bits 15:0 **FRIVL**: Frame interval

The value that the application programs to this field specifies the interval between two consecutive SOFs (FS), micro-SOFs (HS) or Keep-Alive tokens (LS). This field contains the number of PHY clocks that constitute the required frame interval. The application can write a value to this register only after the Port enable bit of the host port control and status register (PENA bit in OTG_HS_HPRT) has been set. If no value is programmed, the core calculates the value based on the PHY clock specified in the FS/LS PHY Clock Select field of the Host configuration register (FSLSPCS in OTG_HS_HCFG):

frame duration × PHY clock frequency

– Frame interval = 1 ms × (FRIVL - 1)

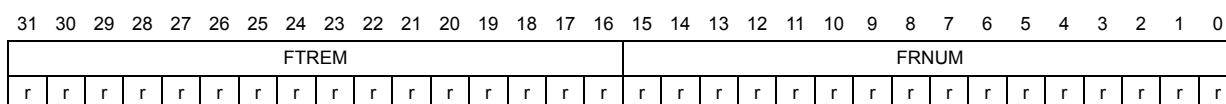
Note: The FRIVL bit can be modified whenever the application needs to change the Frame interval time.

OTG_HS host frame number/frame time remaining register (OTG_HS_HFNUM)

Address offset: 0x408

Reset value: 0x0000 3FFF

This register indicates the current frame number. It also indicates the time remaining (in terms of the number of PHY clocks) in the current frame.



Bits 31:16 **FTREM**: Frame time remaining

Indicates the amount of time remaining in the current frame, in terms of PHY clocks. This field decrements on each PHY clock. When it reaches zero, this field is reloaded with the value in the Frame interval register and a new SOF is transmitted on the USB.

Bits 15:0 **FRNUM**: Frame number

This field increments when a new SOF is transmitted on the USB, and is cleared to 0 when it reaches 0x3FFF.

OTG_HS_Host periodic transmit FIFO/queue status register (OTG_HS_HPTXSTS)

Address offset: 0x410

Reset value: 0x0008 0100

This read-only register contains the free space information for the periodic Tx FIFO and the periodic transmit request queue.

31	30	29	28	27	26	25	24	23	22	21	20	19	18	17	16	15	14	13	12	11	10	9	8	7	6	5	4	3	2	1	0	
PTXQTOP								PTXQSAV								PTXFSAVL																
r	r	r	r	r	r	r	r	r	r	r	r	r	r	r	r	r	r	r	r	r	r	r	r	r	r	r	r	r	r	r	r	r

- Bits 31:24 PTXQTOP:** Top of the periodic transmit request queue

 - This indicates the entry in the periodic Tx request queue that is currently being processed by the MAC.
 - This register is used for debugging.
 - Bit [31]: Odd/Even frame
 - 0: send in even (micro) frame
 - 1: send in odd (micro) frame
 - Bits [30:27]: Channel/endpoint number
 - Bits [26:25]: Type
 - 00: IN/OUT
 - 01: Zero-length packet
 - 11: Disable channel command
 - Bit [24]: Terminate (last entry for the selected channel/endpoint)

- Bits 23:16 PTXQSAV:** Periodic transmit request queue space available

 - Indicates the number of free locations available to be written in the periodic transmit request queue. This queue holds both IN and OUT requests.
 - 00: Periodic transmit request queue is full
 - 01: dx1 location available
 - 10: dx2 locations available
 - bxn: dxn locations available ($0 \leq dxn \leq PTXFD$)
 - Others: Reserved

- Bits 15:0 PTXFSAVL:** Periodic transmit data FIFO space available

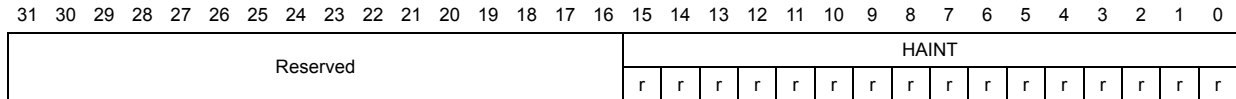
 - Indicates the number of free locations available to be written to in the periodic Tx FIFO.
 - Values are in terms of 32-bit words
 - 0000: Periodic Tx FIFO is full
 - 0001: dx1 word available
 - 0010: dx2 words available
 - bxn: dxn words available (where $0 \leq dxn \leq dx512$)
 - Others: Reserved

OTG_HS Host all channels interrupt register (OTG_HS_HAINT)

Address offset: 0x414

Reset value: 0x0000 000

When a significant event occurs on a channel, the host all channels interrupt register interrupts the application using the host channels interrupt bit of the Core interrupt register (HCINT bit in OTG_HS_GINTSTS). This is shown in [Figure 377](#). There is one interrupt bit per channel, up to a maximum of 16 bits. Bits in this register are set and cleared when the application sets and clears bits in the corresponding host channel-x interrupt register.



Bits 31:16 Reserved, must be kept at reset value.

Bits 15:0 **HAINT**: Channel interrupts

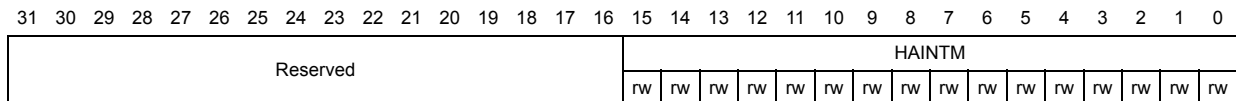
One bit per channel: Bit 0 for Channel 0, bit 15 for Channel 15

OTG_HS host all channels interrupt mask register (OTG_HS_HAINTMSK)

Address offset: 0x418

Reset value: 0x0000 0000

The host all channel interrupt mask register works with the host all channel interrupt register to interrupt the application when an event occurs on a channel. There is one interrupt mask bit per channel, up to a maximum of 16 bits.



Bits 31:16 Reserved, must be kept at reset value.

Bits 15:0 **HAINTM**: Channel interrupt mask

0: Masked interrupt

1: Unmasked interrupt

One bit per channel: Bit 0 for channel 0, bit 15 for channel 15

OTG_HS host port control and status register (OTG_HS_HPRT)

Address offset: 0x440

Reset value: 0x0000 0000

This register is available only in host mode. Currently, the OTG host supports only one port.

A single register holds USB port-related information such as USB reset, enable, suspend, resume, connect status, and test mode for each port. It is shown in [Figure 377](#). The rc_w1 bits in this register can trigger an interrupt to the application through the host port interrupt bit of the core interrupt register (HPRTINT bit in OTG_HS_GINTSTS). On a Port Interrupt, the application must read this register and clear the bit that caused the interrupt. For the rc_w1 bits, the application must write a 1 to the bit to clear the interrupt.

31	30	29	28	27	26	25	24	23	22	21	20	19	18	17	16	15	14	13	12	11	10	9	8	7	6	5	4	3	2	1	0
Reserved													PSPD		PTCTL				PPWR	PLSTS		Reserved	PRST	PSUSP	PRES	POCCHNG	POCA	PENCHNG	PENA	PCDET	PCSTS
													r	r	rw	rw	rw	rw	rw	r	r		rw	rs	rw	rc_w1	r	rc_w1	rc_w0	rc_w1	r

Bits 31:19 Reserved, must be kept at reset value.

Bits 18:17 **PSPD**: Port speed

Indicates the speed of the device attached to this port.

00: High speed

01: Full speed

10: Low speed

11: Reserved

Bits 16:13 **PTCTL**: Port test control

The application writes a nonzero value to this field to put the port into a Test mode, and the corresponding pattern is signaled on the port.

0000: Test mode disabled

0001: Test_J mode

0010: Test_K mode

0011: Test_SE0_NAK mode

0100: Test_Packet mode

0101: Test_Force_Enable

Others: Reserved

Bit 12 **PPWR**: Port power

The application uses this field to control power to this port, and the core clears this bit on an overcurrent condition.

0: Power off

1: Power on

Bits 11:10 **PLSTS**: Port line status

Indicates the current logic level USB data lines

Bit [10]: Logic level of OTG_HS_FS_DP

Bit [11]: Logic level of OTG_HS_FS_DM

Bit 9 Reserved, must be kept at reset value.

Bit 8 PRST: Port reset

When the application sets this bit, a reset sequence is started on this port. The application must time the reset period and clear this bit after the reset sequence is complete.

0: Port not in reset

1: Port in reset

The application must leave this bit set for a minimum duration of at least 10 ms to start a reset on the port. The application can leave it set for another 10 ms in addition to the required minimum duration, before clearing the bit, even though there is no maximum limit set by the USB standard.

High speed: 50 ms

Full speed/Low speed: 10 ms

Bit 7 PSUSP: Port suspend

The application sets this bit to put this port in Suspend mode. The core only stops sending SOFs when this is set. To stop the PHY clock, the application must set the Port clock stop bit, which asserts the suspend input pin of the PHY.

The read value of this bit reflects the current suspend status of the port. This bit is cleared by the core after a remote wake-up signal is detected or the application sets the Port reset bit or Port resume bit in this register or the Resume/remote wake-up detected interrupt bit or Disconnect detected interrupt bit in the Core interrupt register (WKUINT or DISCINT in OTG_HS_GINTSTS, respectively).

0: Port not in Suspend mode

1: Port in Suspend mode

Bit 6 PRES: Port resume

The application sets this bit to drive resume signaling on the port. The core continues to drive the resume signal until the application clears this bit.

If the core detects a USB remote wake-up sequence, as indicated by the Port resume/remote wake-up detected interrupt bit of the Core interrupt register (WKUINT bit in OTG_HS_GINTSTS), the core starts driving resume signaling without application intervention and clears this bit when it detects a disconnect condition. The read value of this bit indicates whether the core is currently driving resume signaling.

0: No resume driven

1: Resume driven

Bit 5 POCCHNG: Port overcurrent change

The core sets this bit when the status of the Port overcurrent active bit (bit 4) in this register changes.

Bit 4 POCA: Port overcurrent active

Indicates the overcurrent condition of the port.

0: No overcurrent condition

1: Overcurrent condition

Bit 3 PENCHNG: Port enable/disable change

The core sets this bit when the status of the Port enable bit [2] in this register changes.

Bit 2 **PENA**: Port enable

A port is enabled only by the core after a reset sequence, and is disabled by an overcurrent condition, a disconnect condition, or by the application clearing this bit. The application cannot set this bit by a register write. It can only clear it to disable the port. This bit does not trigger any interrupt to the application.

- 0: Port disabled
- 1: Port enabled

Bit 1 **PCDET**: Port connect detected

The core sets this bit when a device connection is detected to trigger an interrupt to the application using the host port interrupt bit in the Core interrupt register (HPRTINT bit in OTG_HS_GINTSTS). The application must write a 1 to this bit to clear the interrupt.

Bit 0 **PCSTS**: Port connect status

- 0: No device is attached to the port
- 1: A device is attached to the port

OTG_HS host channel-x characteristics register (OTG_HS_HCCHARx)
(x = 0..11, where x = Channel_number)

Address offset: 0x500 + 0x20 * x

Reset value: 0x0000 0000

31	30	29	28	27	26	25	24	23	22	21	20	19	18	17	16	15	14	13	12	11	10	9	8	7	6	5	4	3	2	1	0
CHENA	CHDIS	ODDFRM	DAD							MC		EPTYP	LSDEV	Reserved	EPDIR	EPNUM				MPSIZ											
rs	rs	rw	rw	rw	rw	rw	rw	rw	rw	rw	rw	rw	rw	rw		rw	rw	rw	rw	rw	rw	rw	rw	rw	rw	rw	rw	rw	rw	rw	rw

Bit 31 **CHENA**: Channel enable

This field is set by the application and cleared by the OTG host.
 0: Channel disabled
 1: Channel enabled

Bit 30 **CHDIS**: Channel disable

The application sets this bit to stop transmitting/receiving data on a channel, even before the transfer for that channel is complete. The application must wait for the Channel disabled interrupt before treating the channel as disabled.

Bit 29 **ODDFRM**: Odd frame

This field is set (reset) by the application to indicate that the OTG host must perform a transfer in an odd frame. This field is applicable for only periodic (isochronous and interrupt) transactions.
 0: Even (micro) frame
 1: Odd (micro) frame

Bits 28:22 **DAD**: Device address

This field selects the specific device serving as the data source or sink.

Bits 21:20 **MC**: Multi Count (MC) / Error Count (EC)

- When the split enable bit (SPLITEN) in the host channel-x split control register (OTG_HS_HCSPLTx) is reset (0), this field indicates to the host the number of transactions that must be executed per micro-frame for this periodic endpoint. For nonperiodic transfers, this field specifies the number of packets to be fetched for this channel before the internal DMA engine changes arbitration.
 - 00: Reserved This field yields undefined results
 - 01: 1 transaction
 - b10: 2 transactions to be issued for this endpoint per micro-frame
 - 11: 3 transactions to be issued for this endpoint per micro-frame.
- When the SPLITEN bit is set (1) in OTG_HS_HCSPLTx, this field indicates the number of immediate retries to be performed for a periodic split transaction on transaction errors. This field must be set to at least 01.

Bits 19:18 **EPTYP**: Endpoint type

Indicates the transfer type selected.

- 00: Control
- 01: Isochronous
- 10: Bulk
- 11: Interrupt

Bit 17 **LSDEV**: Low-speed device

This field is set by the application to indicate that this channel is communicating to a low-speed device.

Bit 16 Reserved, must be kept at reset value.

Bit 15 **EPDIR**: Endpoint direction

Indicates whether the transaction is IN or OUT.

- 0: OUT
- 1: IN

Bits 14:11 **EPNUM**: Endpoint number

Indicates the endpoint number on the device serving as the data source or sink.

Bits 10:0 **MPSIZ**: Maximum packet size

Indicates the maximum packet size of the associated endpoint.

OTG_HS host channel-x split control register (OTG_HS_HCSPLTx) (x = 0..11, where x = Channel_number)

Address offset: 0x504 + 0x20 * x

Reset value: 0x0000 0000

	31	30	29	28	27	26	25	24	23	22	21	20	19	18	17	16	15	14	13	12	11	10	9	8	7	6	5	4	3	2	1	0	
SPLITEN	Reserved																COMPLSPLT	XACTPOS			HUBADDR						PRTADDR						
	rw																	rw	rw	rw	rw	rw	rw	rw	rw	rw	rw	rw	rw	rw	rw	rw	rw

Bit 31 **SPLITEN**: Split enable

The application sets this bit to indicate that this channel is enabled to perform split transactions.

Bits 30:17 Reserved, must be kept at reset value.

Bit 16 **COMPLSPLT**: Do complete split

The application sets this bit to request the OTG host to perform a complete split transaction.

Bits 15:14 **XACTPOS**: Transaction position

This field is used to determine whether to send all, first, middle, or last payloads with each OUT transaction.

11: All. This is the entire data payload of this transaction (which is less than or equal to 188 bytes)

10: Begin. This is the first data payload of this transaction (which is larger than 188 bytes)

00: Mid. This is the middle payload of this transaction (which is larger than 188 bytes)

01: End. This is the last payload of this transaction (which is larger than 188 bytes)

Bits 13:7 **HUBADDR**: Hub address

This field holds the device address of the transaction translator’s hub.

Bits 6:0 **PRTADDR**: Port address

This field is the port number of the recipient transaction translator.

OTG_HS host channel-x interrupt register (OTG_HS_HCINTx) (x = 0..11, where x = Channel_number)

Address offset: 0x508 + 0x20 * x

Reset value: 0x0000 0000

This register indicates the status of a channel with respect to USB- and AHB-related events. It is shown in [Figure 377](#). The application must read this register when the host channels interrupt bit in the Core interrupt register (HCINT bit in OTG_HS_GINTSTS) is set. Before the application can read this register, it must first read the host all channels interrupt (OTG_HS_HAINT) register to get the exact channel number for the host channel-x interrupt register. The application must clear the appropriate bit in this register to clear the corresponding bits in the OTG_HS_HAINT and OTG_HS_GINTSTS registers.

31	30	29	28	27	26	25	24	23	22	21	20	19	18	17	16	15	14	13	12	11	10	9	8	7	6	5	4	3	2	1	0																						
Reserved																						DTERR	FRMOR	BBERR	TXERR	NYET	ACK	NAK	STALL	AHBERR	CHH	XFRC																					
																						rc_w1	rc_w1	rc_w1	rc_w1	rc_w1	rc_w1	rc_w1	rc_w1	rc_w1	rc_w1	rc_w1	rc_w1	rc_w1	rc_w1	rc_w1	rc_w1	rc_w1	rc_w1	rc_w1	rc_w1	rc_w1	rc_w1	rc_w1	rc_w1	rc_w1	rc_w1	rc_w1	rc_w1	rc_w1	rc_w1	rc_w1	rc_w1

Bits 31:11 Reserved, must be kept at reset value.

Bit 10 **DTERR**: Data toggle error

Bit 9 **FRMOR**: Frame overrun

Bit 8 **BBERR**: Babble error

Bit 7 **TXERR**: Transaction error

Indicates one of the following errors occurred on the USB.

CRC check failure

Timeout

Bit stuff error

False EOP

Bit 6 **NYET**: Response received interrupt

Bit 5 **ACK**: ACK response received/transmitted interrupt

Bit 4 **NAK**: NAK response received interrupt

Bit 3 **STALL**: STALL response received interrupt

Bit 2 **AHBERR**: AHB error

This error is generated only in Internal DMA mode when an AHB error occurs during an AHB read/write operation. The application can read the corresponding DMA channel address register to get the error address.

Bit 1 **CHH**: Channel halted

Indicates the transfer completed abnormally either because of any USB transaction error or in response to disable request by the application.

Bit 0 **XFRC**: Transfer completed

Transfer completed normally without any errors.

**OTG_HS host channel-x interrupt mask register (OTG_HS_HCINTMSKx)
(x = 0..11, where x = Channel_number)**

Address offset: 0x50C + 0x20 * x

Reset value: 0x0000 0000

This register reflects the mask for each channel status described in the previous section.

31	30	29	28	27	26	25	24	23	22	21	20	19	18	17	16	15	14	13	12	11	10	9	8	7	6	5	4	3	2	1	0										
Reserved																					DTERRM	FRMORM	BBERRM	TXERRM	NYET	ACKM	NAKM	STALLM	AHBERRM	CHHM	XFRM										
																					r/w	r/w	r/w	r/w	r/w	r/w	r/w	r/w	r/w	r/w	r/w										

Bits 31:11 Reserved, must be kept at reset value.

Bit 10 **DTERRM**: Data toggle error mask

- 0: Masked interrupt
- 1: Unmasked interrupt

Bit 9 **FRMORM**: Frame overrun mask

- 0: Masked interrupt
- 1: Unmasked interrupt

Bit 8 **BBERRM**: Babble error mask

- 0: Masked interrupt
- 1: Unmasked interrupt

Bit 7 **TXERRM**: Transaction error mask

- 0: Masked interrupt
- 1: Unmasked interrupt

Bit 6 **NYET**: response received interrupt mask

- 0: Masked interrupt
- 1: Unmasked interrupt

Bit 5 **ACKM**: ACK response received/transmitted interrupt mask

- 0: Masked interrupt
- 1: Unmasked interrupt

Bit 4 **NAKM**: NAK response received interrupt mask

- 0: Masked interrupt
- 1: Unmasked interrupt

Bit 3 **STALLM**: STALL response received interrupt mask

- 0: Masked interrupt
- 1: Unmasked interrupt

Bit 2 **AHBERRM**: AHB error mask
 0: Masked interrupt
 1: Unmasked interrupt

Bit 1 **CHHM**: Channel halted mask
 0: Masked interrupt
 1: Unmasked interrupt

Bit 0 **XFRM**: Transfer completed mask
 0: Masked interrupt
 1: Unmasked interrupt

OTG_HS host channel-x transfer size register (OTG_HS_HCTSIZx) (x = 0..11, where x = Channel_number)

Address offset: 0x510 + 0x20 * x

Reset value: 0x0000 0000

	31	30	29	28	27	26	25	24	23	22	21	20	19	18	17	16	15	14	13	12	11	10	9	8	7	6	5	4	3	2	1	0
DOPING	DPID			PKTCNT										XFRSIZ																		
	rW	rW	rW	rW	rW	rW	rW	rW	rW	rW	rW	rW	rW	rW	rW	rW	rW	rW	rW	rW	rW	rW	rW	rW	rW	rW	rW	rW	rW	rW	rW	

Bit 31 **DOPING**: Do ping
 This bit is used only for OUT transfers. Setting this field to 1 directs the host to do PING protocol.
Note: Do not set this bit for IN transfers. If this bit is set for IN transfers it disables the channel.

Bits 30:29 **DPID**: Data PID
 The application programs this field with the type of PID to use for the initial transaction. The host maintains this field for the rest of the transfer.
 00: DATA0
 01: DATA2
 10: DATA1
 11: MDATA (noncontrol)/SETUP (control)

Bits 28:19 **PKTCNT**: Packet count
 This field is programmed by the application with the expected number of packets to be transmitted (OUT) or received (IN).
 The host decrements this count on every successful transmission or reception of an OUT/IN packet. Once this count reaches zero, the application is interrupted to indicate normal completion.

Bits 18:0 **XFRSIZ**: Transfer size
 For an OUT, this field is the number of data bytes the host sends during the transfer.
 For an IN, this field is the buffer size that the application has reserved for the transfer. The application is expected to program this field as an integer multiple of the maximum packet size for IN transactions (periodic and nonperiodic).

OTG_HS host channel-x DMA address register (OTG_HS_HCDMAx) (x = 0..11, where x = Channel_number)

Address offset: 0x514 + 0x20 * x

Reset value: 0x0000 0000

31	30	29	28	27	26	25	24	23	22	21	20	19	18	17	16	15	14	13	12	11	10	9	8	7	6	5	4	3	2	1	0	
DMAADDR																																
r/w	r/w	r/w	r/w	r/w	r/w	r/w	r/w	r/w	r/w	r/w	r/w	r/w	r/w	r/w	r/w	r/w	r/w	r/w	r/w	r/w	r/w	r/w	r/w	r/w	r/w	r/w	r/w	r/w	r/w	r/w	r/w	r/w

Bits 31:0 **DMAADDR**: DMA address

This field holds the start address in the external memory from which the data for the endpoint must be fetched or to which it must be stored. This register is incremented on every AHB transaction.

30.12.4 Device-mode registers

OTG_HS device configuration register (OTG_HS_DCFG)

Address offset: 0x800

Reset value: 0x0220 0000

This register configures the core in peripheral mode after power-on or after certain control commands or enumeration. Do not make changes to this register after initial programming.

31	30	29	28	27	26	25	24	23	22	21	20	19	18	17	16	15	14	13	12	11	10	9	8	7	6	5	4	3	2	1	0	
Reserved						PERSCHIVL		Reserved	Reserved												PFIVL	DAD						Reserved	NZLSOHSK		DSPD	
						r/w	r/w														r/w	r/w	r/w	r/w	r/w	r/w	r/w	r/w		r/w	r/w	r/w

Bits 31:26 Reserved, must be kept at reset value.

Bits 25:24 **PERSCHIVL**: Periodic scheduling interval

This field specifies the amount of time the Internal DMA engine must allocate for fetching periodic IN endpoint data. Based on the number of periodic endpoints, this value must be specified as 25, 50 or 75% of the (micro)frame.

- When any periodic endpoints are active, the internal DMA engine allocates the specified amount of time in fetching periodic IN endpoint data
- When no periodic endpoint is active, then the internal DMA engine services nonperiodic endpoints, ignoring this field
- After the specified time within a (micro)frame, the DMA switches to fetching nonperiodic endpoints

- 00: 25% of (micro)frame
- 01: 50% of (micro)frame
- 10: 75% of (micro)frame
- 11: Reserved

Bits 23:13 Reserved, must be kept at reset value.

Bits 12:11 PFIVL: Periodic (micro)frame interval

Indicates the time within a (micro) frame at which the application must be notified using the end of periodic (micro) frame interrupt. This can be used to determine if all the isochronous traffic for that frame is complete.

00: 80% of the frame interval

01: 85% of the frame interval

10: 90% of the frame interval

11: 95% of the frame interval

Bits 10:4 DAD: Device address

The application must program this field after every SetAddress control command.

Bit 3 Reserved, must be kept at reset value.

Bit 2 NZLSOHSK: Nonzero-length status OUT handshake

The application can use this field to select the handshake the core sends on receiving a nonzero-length data packet during the OUT transaction of a control transfer's Status stage.

1: Send a STALL handshake on a nonzero-length status OUT transaction and do not send the received OUT packet to the application.

0: Send the received OUT packet to the application (zero-length or nonzero-length) and send a handshake based on the NAK and STALL bits for the endpoint in the device endpoint control register.

Bits 1:0 DSPD: Device speed

Indicates the speed at which the application requires the core to enumerate, or the maximum speed the application can support. However, the actual bus speed is determined only after the chirp sequence is completed, and is based on the speed of the USB host to which the core is connected.

00: High speed

01: Full speed using external ULPI PHY

10: Reserved

11: Full speed using internal embedded PHY

OTG_HS device control register (OTG_HS_DCTL)

Address offset: 0x804

Reset value: 0x0000 0000

31	30	29	28	27	26	25	24	23	22	21	20	19	18	17	16	15	14	13	12	11	10	9	8	7	6	5	4	3	2	1	0
Reserved																				POPRGDNE	CGONAK	SGONAK	CGINAK	SGINAK	TCTL			GONSTS	GINSTS	SDIS	RWUSIG
																				r/w	w	w	w	w	r/w	r/w	r/w	r	r	r/w	r/w

Bits 31:12 Reserved, must be kept at reset value.

Bit 11 **POPRGDNE**: Power-on programming done

The application uses this bit to indicate that register programming is completed after a wake-up from power down mode.

Bit 10 **CGONAK**: Clear global OUT NAK

Writing 1 to this field clears the Global OUT NAK.

Bit 9 **SGONAK**: Set global OUT NAK

Writing 1 to this field sets the Global OUT NAK.

The application uses this bit to send a NAK handshake on all OUT endpoints.

The application must set this bit only after making sure that the Global OUT NAK effective bit in the Core interrupt register (GONAKEFF bit in OTG_HS_GINTSTS) is cleared.

Bit 8 **CGINAK**: Clear global IN NAK

Writing 1 to this field clears the Global IN NAK.

Bit 7 **SGINAK**: Set global IN NAK

Writing 1 to this field sets the Global nonperiodic IN NAK. The application uses this bit to send a NAK handshake on all nonperiodic IN endpoints.

The application must set this bit only after making sure that the Global IN NAK effective bit in the Core interrupt register (GINAKEFF bit in OTG_HS_GINTSTS) is cleared.

Bits 6:4 **TCTL**: Test control

000: Test mode disabled

001: Test_J mode

010: Test_K mode

011: Test_SE0_NAK mode

100: Test_Packet mode

101: Test_Force_Enable

Others: Reserved

Bit 3 **GONSTS**: Global OUT NAK status

0: A handshake is sent based on the FIFO Status and the NAK and STALL bit settings.

1: No data is written to the Rx FIFO, irrespective of space availability. Sends a NAK handshake on all packets, except on SETUP transactions. All isochronous OUT packets are dropped.

Bit 2 **GINSTS**: Global IN NAK status

- 0: A handshake is sent out based on the data availability in the transmit FIFO.
- 1: A NAK handshake is sent out on all nonperiodic IN endpoints, irrespective of the data availability in the transmit FIFO.

Bit 1 **SDIS**: Soft disconnect

The application uses this bit to signal the USB OTG core to perform a soft disconnect. As long as this bit is set, the host does not see that the device is connected, and the device does not receive signals on the USB. The core stays in the disconnected state until the application clears this bit.

0: Normal operation. When this bit is cleared after a soft disconnect, the core generates a device connect event to the USB host. When the device is reconnected, the USB host restarts device enumeration.

1: The core generates a device disconnect event to the USB host.

Bit 0 **RWUSIG**: Remote wake-up signaling

When the application sets this bit, the core initiates remote signaling to wake up the USB host. The application must set this bit to instruct the core to exit the Suspend state. As specified in the USB 2.0 specification, the application must clear this bit 1 ms to 15 ms after setting it.

[Table 167](#) contains the minimum duration (according to device state) for which the Soft disconnect (SDIS) bit must be set for the USB host to detect a device disconnect. To accommodate clock jitter, it is recommended that the application add some extra delay to the specified minimum duration.

Table 167. Minimum duration for soft disconnect

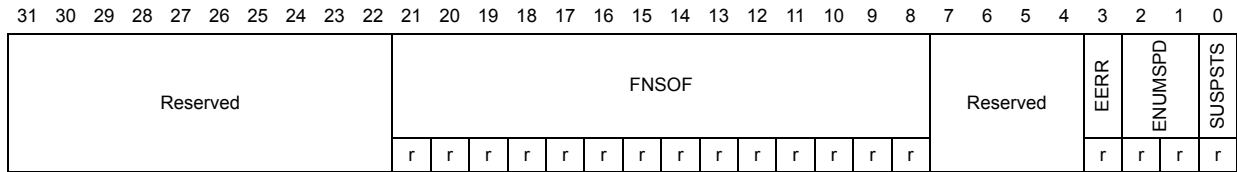
Operating speed	Device state	Minimum duration
High speed	Not Idle or Suspended (Performing transactions)	125 μ s
Full speed	Suspended	1 ms + 2.5 μ s
Full speed	Idle	2.5 μ s
Full speed	Not Idle or Suspended (Performing transactions)	2.5 μ s

OTG_HS device status register (OTG_HS_DSTS)

Address offset: 0x808

Reset value: 0x0000 0010

This register indicates the status of the core with respect to USB-related events. It must be read on interrupts from the device all interrupts (OTG_HS_DAINTE) register.



Bits 31:22 Reserved, must be kept at reset value.

Bits 21:8 **FNSOF**: Frame number of the received SOF

Bits 7:4 Reserved, must be kept at reset value.

Bit 3 **EERR**: Erratic error

The core sets this bit to report any erratic errors.

Due to erratic errors, the OTG_HS controller goes into Suspended state and an interrupt is generated to the application with Early suspend bit of the Core interrupt register (ESUSP bit in OTG_HS_GINTSTS). If the early suspend is asserted due to an erratic error, the application can only perform a soft disconnect recover.

Bits 2:1 **ENUMSPD**: Enumerated speed

Indicates the speed at which the OTG_HS controller has come up after speed detection through a chirp sequence.

00: High speed

01: Reserved

10: Reserved

11: Full speed (PHY clock is running at 48 MHz)

Others: reserved

Bit 0 **SUSPSTS**: Suspend status

In peripheral mode, this bit is set as long as a Suspend condition is detected on the USB.

The core enters the Suspended state when there is no activity on the USB data lines for a period of 3 ms. The core comes out of the suspend:

- When there is an activity on the USB data lines
- When the application writes to the Remote wake-up signaling bit in the Device control register (RWUSIG bit in OTG_HS_DCTL).

OTG_HS device IN endpoint common interrupt mask register (OTG_HS_DIEPMSK)

Address offset: 0x810

Reset value: 0x0000 0000

This register works with each of the Device IN endpoint interrupt (OTG_HS_DIEPINTx) registers for all endpoints to generate an interrupt per IN endpoint. The IN endpoint interrupt for a specific status in the OTG_HS_DIEPINTx register can be masked by writing to the corresponding bit in this register. Status bits are masked by default.

31	30	29	28	27	26	25	24	23	22	21	20	19	18	17	16	15	14	13	12	11	10	9	8	7	6	5	4	3	2	1	0
Reserved																		NAKM	Reserved				TXFURM	Reserved	INPNEM	INPNMM	ITTXFEMSK	TOM	AHBERRM	EPDM	XFRM
																		r/w					r/w		r/w	r/w	r/w	r/w	r/w	r/w	r/w

Bits 31:10 Reserved, must be kept at reset value.

Bit 13 **NAKM**: NAK interrupt mask
 0: Masked interrupt
 1: Unmasked interrupt

Bits 12:9 Reserved, must be kept at reset value.

Bit 8 **TXFURM**: FIFO underrun mask
 0: Masked interrupt
 1: Unmasked interrupt

Bit 7 Reserved, must be kept at reset value.

Bit 6 **INPNEM**: IN endpoint NAK effective mask
 0: Masked interrupt
 1: Unmasked interrupt

Bit 5 **INPNMM**: IN token received with EP mismatch mask
 0: Masked interrupt
 1: Unmasked interrupt

Bit 4 **ITTXFEMSK**: IN token received when Tx FIFO empty mask
 0: Masked interrupt
 1: Unmasked interrupt

Bit 3 **TOM**: Timeout condition mask (nonisochronous endpoints)
 0: Masked interrupt
 1: Unmasked interrupt

- Bit 2 **AHBERRM**: AHB error mask
 - 0: Masked interrupt
 - 1: Unmasked interrupt
- Bit 1 **EPDM**: Endpoint disabled interrupt mask
 - 0: Masked interrupt
 - 1: Unmasked interrupt
- Bit 0 **XFRM**: Transfer completed interrupt mask
 - 0: Masked interrupt
 - 1: Unmasked interrupt

OTG_HS device OUT endpoint common interrupt mask register (OTG_HS_DOEPMASK)

Address offset: 0x814

Reset value: 0x0000 0000

This register works with each of the Device OUT endpoint interrupt (OTG_HS_DOEPINTx) registers for all endpoints to generate an interrupt per OUT endpoint. The OUT endpoint interrupt for a specific status in the OTG_HS_DOEPINTx register can be masked by writing into the corresponding bit in this register. Status bits are masked by default.

31	30	29	28	27	26	25	24	23	22	21	20	19	18	17	16	15	14	13	12	11	10	9	8	7	6	5	4	3	2	1	0
Reserved															NYETMSK	NAKMSK	BERRM	Reserved				OPEM	Reserved	B2BSTUP	STSPHSRXM	OTEPDM	STUPM	AHBERRM	EPDM	XFRM	
															rw	rw	rw					rw		rw	rw	rw	rw	rw	rw		

Bits 31:15 Reserved, must be kept at reset value.

- Bit 14 **NYETMSK**: NYET interrupt mask
 - 0: Masked interrupt
 - 1: Unmasked interrupt

- Bit 13 **NAKMSK**: NAK interrupt mask
 - 0: Masked interrupt
 - 1: Unmasked interrupt

- Bit 12 **BERRM**: Babble error interrupt mask
 - 0: Masked interrupt
 - 1: Unmasked interrupt

Bits 11:9 Reserved, must be kept at reset value.

- Bit 8 **OPEM**: OUT packet error mask
 - 0: Masked interrupt
 - 1: Unmasked interrupt

Bit 7 Reserved, must be kept at reset value.

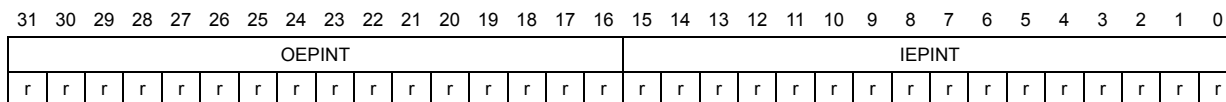
- Bit 6 **B2BSTUP**: Back-to-back SETUP packets received mask
Applies to control OUT endpoints only.
0: Masked interrupt
1: Unmasked interrupt
- Bit 5 **STSPHSRXM**: Status phase received for control write mask
0: Masked interrupt
1: Unmasked interrupt
- Bit 4 **OTEPDM**: OUT token received when endpoint disabled mask
Applies to control OUT endpoints only.
0: Masked interrupt
1: Unmasked interrupt
- Bit 3 **STUPM**: SETUP phase done mask
Applies to control endpoints only.
0: Masked interrupt
1: Unmasked interrupt
- Bit 2 **AHBERRM**: AHB error mask
0: Masked interrupt
1: Unmasked interrupt
- Bit 1 **EPDM**: Endpoint disabled interrupt mask
0: Masked interrupt
1: Unmasked interrupt
- Bit 0 **XFRM**: Transfer completed interrupt mask
0: Masked interrupt
1: Unmasked interrupt

OTG_HS device all endpoints interrupt register (OTG_HS_DAINR)

Address offset: 0x818

Reset value: 0x0000 0000

When a significant event occurs on an endpoint, a device all endpoints interrupt register interrupts the application using the Device OUT endpoints interrupt bit or Device IN endpoints interrupt bit of the Core interrupt register (OEPINT or IEPINT in OTG_HS_GINTSTS, respectively). There is one interrupt bit per endpoint, up to a maximum of 16 bits for OUT endpoints and 16 bits for IN endpoints. For a bidirectional endpoint, the corresponding IN and OUT interrupt bits are used. Bits in this register are set and cleared when the application sets and clears bits in the corresponding Device Endpoint-x interrupt register (OTG_HS_DIEPINTx/OTG_HS_DOEPINTx).



Bits 31:16 **OEPIINT**: OUT endpoint interrupt bits
 One bit per OUT endpoint:
 Bit 16 for OUT endpoint 0, bit 31 for OUT endpoint 15

Bits 15:0 **IEPIINT**: IN endpoint interrupt bits
 One bit per IN endpoint:
 Bit 0 for IN endpoint 0, bit 15 for endpoint 15

OTG_HS all endpoints interrupt mask register (OTG_HS_DAINTRMSK)

Address offset: 0x81C

Reset value: 0x0000 0000

The device endpoint interrupt mask register works with the device endpoint interrupt register to interrupt the application when an event occurs on a device endpoint. However, the device all endpoints interrupt (OTG_HS_DAINTR) register bit corresponding to that interrupt is still set.

31	30	29	28	27	26	25	24	23	22	21	20	19	18	17	16	15	14	13	12	11	10	9	8	7	6	5	4	3	2	1	0
OEPM																IEPM															
r/w	r/w	r/w	r/w	r/w	r/w	r/w	r/w	r/w	r/w	r/w	r/w	r/w	r/w	r/w	r/w	r/w	r/w	r/w	r/w	r/w	r/w	r/w	r/w	r/w	r/w	r/w	r/w	r/w	r/w	r/w	

Bits 31:16 **OEPM**: OUT EP interrupt mask bits
 One per OUT endpoint:
 Bit 16 for OUT EP 0, bit 19 for OUT EP 3
 0: Masked interrupt
 1: Unmasked interrupt

Bits 15:0 **IEPM**: IN EP interrupt mask bits
 One bit per IN endpoint:
 Bit 0 for IN EP 0, bit 3 for IN EP 3
 0: Masked interrupt
 1: Unmasked interrupt

OTG_HS device V_{BUS} discharge time register (OTG_HS_DVBUSDIS)

Address offset: 0x0828

Reset value: 0x0000 17D7

This register specifies the V_{BUS} discharge time after V_{BUS} pulsing during SRP.

31	30	29	28	27	26	25	24	23	22	21	20	19	18	17	16	15	14	13	12	11	10	9	8	7	6	5	4	3	2	1	0														
Reserved																VBUSDT																													
																r/w	r/w	r/w	r/w	r/w	r/w	r/w	r/w	r/w	r/w	r/w	r/w	r/w	r/w	r/w	r/w	r/w	r/w	r/w	r/w	r/w	r/w	r/w	r/w	r/w	r/w	r/w	r/w	r/w	r/w

Bits 31:16 Reserved, must be kept at reset value.

Bits 15:0 **VBUSDT**: Device V_{BUS} discharge time
 Specifies the V_{BUS} discharge time after V_{BUS} pulsing during SRP. This value equals:
 V_{BUS} discharge time in PHY clocks / 1 024
 Depending on your V_{BUS} load, this value may need adjusting.

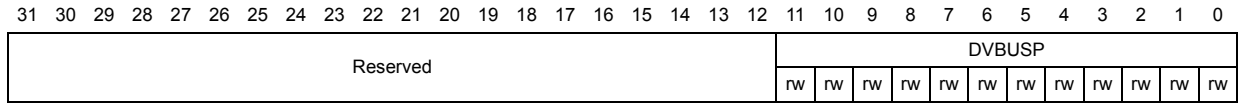


OTG_HS device V_{BUS} pulsing time register (OTG_HS_DVBUSPULSE)

Address offset: 0x082C

Reset value: 0x0000 05B8

This register specifies the V_{BUS} pulsing time during SRP.



Bits 31:12 Reserved, must be kept at reset value.

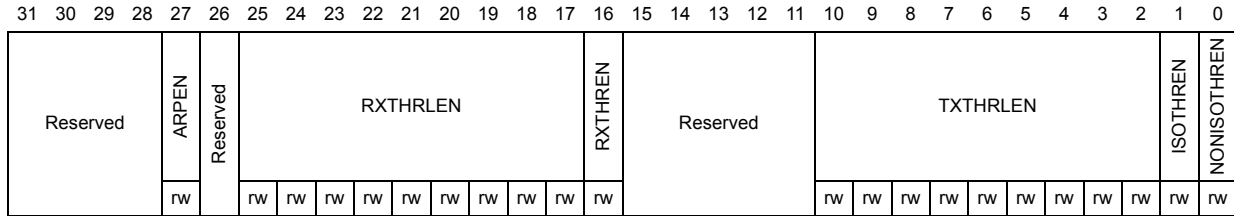
Bits 11:0 **DVBUSP**: Device V_{BUS} pulsing time

Specifies the V_{BUS} pulsing time during SRP. This value equals:
 V_{BUS} pulsing time in PHY clocks / 1 024

OTG_HS Device threshold control register (OTG_HS_DTHRCTL)

Address offset: 0x0830

Reset value: 0x0000 0000



Bits 31:28 Reserved, must be kept at reset value.

Bit 27 **ARPEN**: Arbiter parking enable

This bit controls internal DMA arbiter parking for IN endpoints. When thresholding is enabled and this bit is set to one, then the arbiter parks on the IN endpoint for which there is a token received on the USB. This is done to avoid getting into underrun conditions. By default parking is enabled.

Bit 26 Reserved, must be kept at reset value.

Bits 25: 17 **RXTHRLEN**: Receive threshold length

This field specifies the receive thresholding size in words. This field also specifies the amount of data received on the USB before the core can start transmitting on the AHB. The threshold length has to be at least eight words. The recommended value for RXTHRLEN is to be the same as the programmed AHB burst length (HBSTLEN bit in OTG_HS_GAHBCFG).

Bit 16 **RXTHREN**: Receive threshold enable

When this bit is set, the core enables thresholding in the receive direction.

Bits 15: 11 Reserved, must be kept at reset value.

Bits 10:2 **TXTHRLEN**: Transmit threshold length

This field specifies the transmit thresholding size in words. This field specifies the amount of data in bytes to be in the corresponding endpoint transmit FIFO, before the core can start transmitting on the USB. The threshold length has to be at least eight words. This field controls both isochronous and nonisochronous IN endpoint thresholds. The recommended value for TXTHRLEN is to be the same as the programmed AHB burst length (HBSTLEN bit in OTG_HS_GAHBCFG).

Bit 1 **ISOTHREN**: ISO IN endpoint threshold enable

When this bit is set, the core enables thresholding for isochronous IN endpoints.

Bit 0 **NONISOTHREN**: Nonisochronous IN endpoints threshold enable

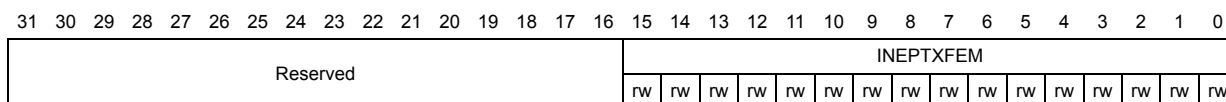
When this bit is set, the core enables thresholding for nonisochronous IN endpoints.

**OTG_HS device IN endpoint FIFO empty interrupt mask register:
(OTG_HS_DIEPEMPMSK)**

Address offset: 0x834

Reset value: 0x0000 0000

This register is used to control the IN endpoint FIFO empty interrupt generation (TXFE_OTG_HS_DIEPINTx).



Bits 31:16 Reserved, must be kept at reset value.

Bits 15:0 **INEPTXFEM**: IN EP Tx FIFO empty interrupt mask bits

These bits act as mask bits for OTG_HS_DIEPINTx.

TXFE interrupt one bit per IN endpoint:

Bit 0 for IN endpoint 0, bit 15 for IN endpoint 15

0: Masked interrupt

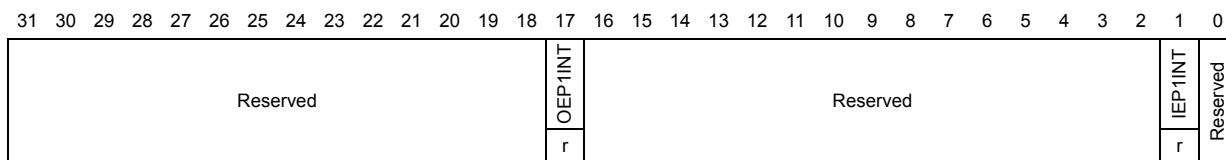
1: Unmasked interrupt

OTG_HS device each endpoint interrupt register (OTG_HS_DEACHINT)

Address offset: 0x0838

Reset value: 0x0000 0000

There is one interrupt bit for endpoint 1 IN and one interrupt bit for endpoint 1 OUT.



Bits 31:18 Reserved, must be kept at reset value.

Bit 17 **OEP1INT**: OUT endpoint 1 interrupt bit

Bits 16:2 Reserved, must be kept at reset value.

Bit 1 **IEP1INT**: IN endpoint 1 interrupt bit

Bit 0 Reserved, must be kept at reset value.

OTG_HS device each endpoint interrupt register mask (OTG_HS_DEACHINTMSK)

Address offset: 0x083C

Reset value: 0x0000 0000

There is one interrupt bit for endpoint 1 IN and one interrupt bit for endpoint 1 OUT.

31	30	29	28	27	26	25	24	23	22	21	20	19	18	17	16	15	14	13	12	11	10	9	8	7	6	5	4	3	2	1	0
Reserved														OEP1INTM	Reserved														IEP1INTM	Reserved	
														r/w															r/w		

Bits 31:18 Reserved, must be kept at reset value.

Bit 17 **OEP1INTM**: OUT Endpoint 1 interrupt mask bit

Bits 16:2 Reserved, must be kept at reset value.

Bit 1 **IEP1INTM**: IN Endpoint 1 interrupt mask bit

Bit 0 Reserved, must be kept at reset value.

OTG_HS device each in endpoint-1 interrupt register (OTG_HS_DIEPEACHMSK1)

Address offset: 0x844

Reset value: 0x0000 0000

31	30	29	28	27	26	25	24	23	22	21	20	19	18	17	16	15	14	13	12	11	10	9	8	7	6	5	4	3	2	1	0
Reserved														NAKM	Reserved				BIM	TXFURM	Reserved	INEPNEM	INEPNMM	ITTXFEMSK	TOM	AHBERRM	EPDM	XFRM			
														r/w					r/w	r/w		r/w	r/w	r/w	r/w	r/w	r/w	r/w	r/w		

Bits 31:14 Reserved, must be kept at reset value.

Bit 13 **NAKM**: NAK interrupt mask

- 0: Masked interrupt
- 1: unmasked interrupt

Bit 12:10 Reserved, must be kept at reset value.

Bit 9 **BIM**: BNA interrupt mask

- 0: Masked interrupt
- 1: Unmasked interrupt

Bit 8 **TXFURM**: FIFO underrun mask

- 0: Masked interrupt
- 1: Unmasked interrupt

Bit 7 Reserved, must be kept at reset value.



- Bit 6 **INEPNEM**: IN endpoint NAK effective mask
 0: Masked interrupt
 1: Unmasked interrupt
- Bit 5 **INEPNMM**: IN token received with EP mismatch mask
 0: Masked interrupt
 1: Unmasked interrupt
- Bit 4 **ITTXFEMSK**: IN token received when TxFIFO empty mask
 0: Masked interrupt
 1: Unmasked interrupt
- Bit 3 **TOM**: Timeout condition mask (nonisochronous endpoints)
 0: Masked interrupt
 1: Unmasked interrupt
- Bit 2 **AHBERRM**: AHB error mask
 0: Masked interrupt
 1: Unmasked interrupt
- Bit 1 **EPDM**: Endpoint disabled interrupt mask
 0: Masked interrupt
 1: Unmasked interrupt
- Bit 0 **XFRM**: Transfer completed interrupt mask
 0: Masked interrupt
 1: Unmasked interrupt

OTG_HS device each OUT endpoint-1 interrupt register (OTG_HS_DOEPEACHMSK1)

Address offset: 0x884

Reset value: 0x0000 0000

31	30	29	28	27	26	25	24	23	22	21	20	19	18	17	16	15	14	13	12	11	10	9	8	7	6	5	4	3	2	1	0
Reserved														NYETM	NAKM	BERRM	Reserved	BIM	TXFURM	Reserved	INEPNEM	INEPNMM	ITTXFEMSK	TOM	AHBERRM	EPDM	XFRM				
														rW	rW	rW		rW	rW		rW	rW	rW	rW	rW	rW	rW				

- Bits 31:15 Reserved, must be kept at reset value.
- Bit 14 **NYETM**: NYET interrupt mask
 0: Masked interrupt
 1: unmasked interrupt
- Bit 13 **NAKM**: NAK interrupt mask
 0: Masked interrupt
 1: Unmasked interrupt
- Bit 12 **BERRM**: Bubble error interrupt mask
 0: Masked interrupt
 1: Unmasked interrupt
- Bit 11:10 Reserved, must be kept at reset value.



Bit 9 **BIM**: BNA interrupt mask
 0: Masked interrupt
 1: Unmasked interrupt

Bit 8 **OPEM**: OUT packet error mask
 0: Masked interrupt
 1: Unmasked interrupt

Bits 7:3 Reserved, must be kept at reset value.

Bit 2 **AHBERRM**: AHB error mask
 0: Masked interrupt
 1: Unmasked interrupt

Bit 1 **EPDM**: Endpoint disabled interrupt mask
 0: Masked interrupt
 1: Unmasked interrupt

Bit 0 **XFRM**: Transfer completed interrupt mask
 0: Masked interrupt
 1: Unmasked interrupt

OTG device endpoint-x control register (OTG_HS_DIEPCTLx) (x = 0..5, where x = Endpoint_number)

Address offset: 0x900 + 0x20 * x

Reset value: 0x0000 0000

The application uses this register to control the behavior of each logical endpoint other than endpoint 0.

31	30	29	28	27	26	25	24	23	22	21	20	19	18	17	16	15	14	13	12	11	10	9	8	7	6	5	4	3	2	1	0	
EPENA	EPDIS	SODDFRM	SD0PID/SEVFRM	SNAK	CNAK	TXFNUM				Stall	Reserved	EPTYP	NAKSTS	EONUM/DPID	USBAEP	Reserved						MPSIZ										
rs	rs	w	w	w	w	rw	rw	rw	rw	rw/rs		rw	rw	r	r	rw						rw	rw	rw	rw	rw	rw	rw	rw	rw	rw	rw

- Bit 31 **EPENA**: Endpoint enable
The application sets this bit to start transmitting data on an endpoint.
The core clears this bit before setting any of the following interrupts on this endpoint:
- SETUP phase done
 - Endpoint disabled
 - Transfer completed
- Bit 30 **EPDIS**: Endpoint disable
The application sets this bit to stop transmitting/receiving data on an endpoint, even before the transfer for that endpoint is complete. The application must wait for the Endpoint disabled interrupt before treating the endpoint as disabled. The core clears this bit before setting the Endpoint disabled interrupt. The application must set this bit only if Endpoint enable is already set for this endpoint.
- Bit 29 **SODDFRM**: Set odd frame
Applies to isochronous IN and OUT endpoints only.
Writing to this field sets the Even/Odd frame (EONUM) field to odd frame.
- Bit 28 **SD0PID**: Set DATA0 PID
Applies to interrupt/bulk IN endpoints only.
Writing to this field sets the endpoint data PID (DPID) field in this register to DATA0.
- SEVNFRM**: Set even frame
Applies to isochronous IN endpoints only.
Writing to this field sets the Even/Odd frame (EONUM) field to even frame.
- Bit 27 **SNAK**: Set NAK
A write to this bit sets the NAK bit for the endpoint.
Using this bit, the application can control the transmission of NAK handshakes on an endpoint. The core can also set this bit for OUT endpoints on a Transfer completed interrupt, or after a SETUP is received on the endpoint.
- Bit 26 **CNAK**: Clear NAK
A write to this bit clears the NAK bit for the endpoint.
- Bits 25:22 **TXFNUM**: TxFIFO number
These bits specify the FIFO number associated with this endpoint. Each active IN endpoint must be programmed to a separate FIFO number.
This field is valid only for IN endpoints.
- Bit 21 **STALL**: STALL handshake
Applies to noncontrol, nonisochronous IN endpoints only (access type is rw).
The application sets this bit to stall all tokens from the USB host to this endpoint. If a NAK bit, Global IN NAK, or Global OUT NAK is set along with this bit, the STALL bit takes priority. Only the application can clear this bit, never the core.
Applies to control endpoints only (access type is rs).
The application can only set this bit, and the core clears it, when a SETUP token is received for this endpoint. If a NAK bit, Global IN NAK, or Global OUT NAK is set along with this bit, the STALL bit takes priority. Irrespective of this bit's setting, the core always responds to SETUP data packets with an ACK handshake.
- Bit 20 Reserved, must be kept at reset value.

Bits 19:18 **EPTYP**: Endpoint type

This is the transfer type supported by this logical endpoint.

- 00: Control
- 01: Isochronous
- 10: Bulk
- 11: Interrupt

Bit 17 **NAKSTS**: NAK status

It indicates the following:

- 0: The core is transmitting nonNAK handshakes based on the FIFO status.
- 1: The core is transmitting NAK handshakes on this endpoint.

When either the application or the core sets this bit:

For nonisochronous IN endpoints: The core stops transmitting any data on an IN endpoint, even if there are data available in the TxFIFO.

For isochronous IN endpoints: The core sends out a zero-length data packet, even if there are data available in the TxFIFO.

Irrespective of this bit's setting, the core always responds to SETUP data packets with an ACK handshake.

Bit 16 **EONUM**: Even/odd frame

Applies to isochronous IN endpoints only.

Indicates the frame number in which the core transmits/receives isochronous data for this endpoint. The application must program the even/odd frame number in which it intends to transmit/receive isochronous data for this endpoint using the SEVNFRM and SODDFRM fields in this register.

- 0: Even frame
- 1: Odd frame

DPID: Endpoint data PID

Applies to interrupt/bulk IN endpoints only.

Contains the PID of the packet to be received or transmitted on this endpoint. The application must program the PID of the first packet to be received or transmitted on this endpoint, after the endpoint is activated. The application uses the SDOPID register field to program either DATA0 or DATA1 PID.

- 0: DATA0
- 1: DATA1

Bit 15 **USBAEP**: USB active endpoint

Indicates whether this endpoint is active in the current configuration and interface. The core clears this bit for all endpoints (other than EP 0) after detecting a USB reset. After receiving the SetConfiguration and SetInterface commands, the application must program endpoint registers accordingly and set this bit.

Bits 14:11 Reserved, must be kept at reset value.

Bits 10:0 **MPSIZ**: Maximum packet size

The application must program this field with the maximum packet size for the current logical endpoint. This value is in bytes.

OTG_HS device control OUT endpoint 0 control register (OTG_HS_DOEPCTL0)

Address offset: 0xB00

Reset value: 0x0000 8000

This section describes the device control OUT endpoint 0 control register. Nonzero control endpoints use registers for endpoints 1–15.

31	30	29	28	27	26	25	24	23	22	21	20	19	18	17	16	15	14	13	12	11	10	9	8	7	6	5	4	3	2	1	0	
EPENA	EPDIS	Reserved		SNAK	CNAK	Reserved					Stall	SNPM	EPTYP		NAKSTS	Reserved	USBAEP	Reserved										MPSIZ				
w	r			w	w					rs	rw	r	r	r		r															r	r

Bit 31 **EPENA**: Endpoint enable

The application sets this bit to start transmitting data on endpoint 0.
 The core clears this bit before setting any of the following interrupts on this endpoint:

- SETUP phase done
- Endpoint disabled
- Transfer completed

Bit 30 **EPDIS**: Endpoint disable

The application cannot disable control OUT endpoint 0.

Bits 29:28 Reserved, must be kept at reset value.

Bit 27 **SNAK**: Set NAK

A write to this bit sets the NAK bit for the endpoint.
 Using this bit, the application can control the transmission of NAK handshakes on an endpoint. The core can also set this bit on a Transfer completed interrupt, or after a SETUP is received on the endpoint.

Bit 26 **CNAK**: Clear NAK

A write to this bit clears the NAK bit for the endpoint.

Bits 25:22 Reserved, must be kept at reset value.

Bit 21 **STALL**: STALL handshake

The application can only set this bit, and the core clears it, when a SETUP token is received for this endpoint. If a NAK bit or Global OUT NAK is set along with this bit, the STALL bit takes priority. Irrespective of this bit's setting, the core always responds to SETUP data packets with an ACK handshake.

Bit 20 **SNPM**: Snoop mode

This bit configures the endpoint to Snoop mode. In Snoop mode, the core does not check the correctness of OUT packets before transferring them to application memory.

Bits 19:18 **EPTYP**: Endpoint type

Hardcoded to 2'b00 for control.

Bit 17 **NAKSTS**: NAK status

Indicates the following:

0: The core is transmitting nonNAK handshakes based on the FIFO status.

1: The core is transmitting NAK handshakes on this endpoint.

When either the application or the core sets this bit, the core stops receiving data, even if there is space in the RxFIFO to accommodate the incoming packet. Irrespective of this bit's setting, the core always responds to SETUP data packets with an ACK handshake.

Bit 16 Reserved, must be kept at reset value.

Bit 15 **USBAEP**: USB active endpoint

This bit is always set to 1, indicating that a control endpoint 0 is always active in all configurations and interfaces.

Bits 14:2 Reserved, must be kept at reset value.

Bits 1:0 **MPSIZ**: Maximum packet size

The maximum packet size for control OUT endpoint 0 is the same as what is programmed in control IN endpoint 0.

00: 64 bytes

01: 32 bytes

10: 16 bytes

11: 8 bytes

OTG_HS device endpoint-x control register (OTG_HS_DOEPCTLx) (x = 1..5, where x = Endpoint_number)

Address offset for OUT endpoints: 0xB00 + 0x20 * x

Reset value: 0x0000 0000

The application uses this register to control the behavior of each logical endpoint other than endpoint 0.

31	30	29	28	27	26	25	24	23	22	21	20	19	18	17	16	15	14	13	12	11	10	9	8	7	6	5	4	3	2	1	0			
EPENA	EPDIS	SODDFRM	SD0PID/SEVNFIRM	SNAK	CNAK	Reserved					Stall	SNPM	EPTYP		NAKSTS	EONUM/DPID	USBAEP	Reserved					MPSIZ											
rs	rs	w	w	w	w						rw	rw	rw	rw	r	r	rw						rw	rw	rw	rw	rw	rw	rw	rw	rw	rw	rw	rw

- Bit 31 **EPENA**: Endpoint enable
Applies to IN and OUT endpoints.
The application sets this bit to start transmitting data on an endpoint.
The core clears this bit before setting any of the following interrupts on this endpoint:
- SETUP phase done
 - Endpoint disabled
 - Transfer completed
- Bit 30 **EPDIS**: Endpoint disable
The application sets this bit to stop transmitting/receiving data on an endpoint, even before the transfer for that endpoint is complete. The application must wait for the Endpoint disabled interrupt before treating the endpoint as disabled. The core clears this bit before setting the Endpoint disabled interrupt. The application must set this bit only if Endpoint enable is already set for this endpoint.
- Bit 29 **SODDFRM**: Set odd frame
Applies to isochronous OUT endpoints only.
Writing to this field sets the Even/Odd frame (EONUM) field to odd frame.
- Bit 28 **SDOPIID**: Set DATA0 PID
Applies to interrupt/bulk OUT endpoints only.
Writing to this field sets the endpoint data PID (DPID) field in this register to DATA0.
- SEVNFRM**: Set even frame
Applies to isochronous OUT endpoints only.
Writing to this field sets the Even/Odd frame (EONUM) field to even frame.
- Bit 27 **SNAK**: Set NAK
A write to this bit sets the NAK bit for the endpoint.
Using this bit, the application can control the transmission of NAK handshakes on an endpoint. The core can also set this bit for OUT endpoints on a Transfer Completed interrupt, or after a SETUP is received on the endpoint.
- Bit 26 **CNAK**: Clear NAK
A write to this bit clears the NAK bit for the endpoint.
- Bits 25:22 Reserved, must be kept at reset value.
- Bit 21 **STALL**: STALL handshake
Applies to noncontrol, nonisochronous OUT endpoints only (access type is rw).
The application sets this bit to stall all tokens from the USB host to this endpoint. If a NAK bit, Global IN NAK, or Global OUT NAK is set along with this bit, the STALL bit takes priority. Only the application can clear this bit, never the core.
- Bit 20 **SNPM**: Snoop mode
This bit configures the endpoint to Snoop mode. In Snoop mode, the core does not check the correctness of OUT packets before transferring them to application memory.
- Bits 19:18 **EPTYP**: Endpoint type
This is the transfer type supported by this logical endpoint.
- 00: Control
 - 01: Isochronous
 - 10: Bulk
 - 11: Interrupt

Bit 17 **NAKSTS**: NAK status

Indicates the following:

- 0: The core is transmitting nonNAK handshakes based on the FIFO status.
- 1: The core is transmitting NAK handshakes on this endpoint.

When either the application or the core sets this bit:

The core stops receiving any data on an OUT endpoint, even if there is space in the RxFIFO to accommodate the incoming packet.

Irrespective of this bit's setting, the core always responds to SETUP data packets with an ACK handshake.

Bit 16 **EONUM**: Even/odd frame

Applies to isochronous IN and OUT endpoints only.

Indicates the frame number in which the core transmits/receives isochronous data for this endpoint. The application must program the even/odd frame number in which it intends to transmit/receive isochronous data for this endpoint using the SEVNFRM and SODDFRM fields in this register.

- 0: Even frame
- 1: Odd frame

DPID: Endpoint data PID

Applies to interrupt/bulk OUT endpoints only.

Contains the PID of the packet to be received or transmitted on this endpoint. The application must program the PID of the first packet to be received or transmitted on this endpoint, after the endpoint is activated. The application uses the SD0PID register field to program either DATA0 or DATA1 PID.

- 0: DATA0
- 1: DATA1

Bit 15 **USBAEP**: USB active endpoint

Indicates whether this endpoint is active in the current configuration and interface. The core clears this bit for all endpoints (other than EP 0) after detecting a USB reset. After receiving the SetConfiguration and SetInterface commands, the application must program endpoint registers accordingly and set this bit.

Bits 14:11 Reserved, must be kept at reset value.

Bits 10:0 **MPSIZ**: Maximum packet size

The application must program this field with the maximum packet size for the current logical endpoint. This value is in bytes.

OTG_HS device endpoint-x interrupt register (OTG_HS_DIEPINTx) (x = 0..5, where x = Endpoint_number)

Address offset: 0x908 + 0x20 * x

Reset value: 0x0000 0080

This register indicates the status of an endpoint with respect to USB- and AHB-related events. It is shown in *Figure 377*. The application must read this register when the IN endpoints interrupt bit of the Core interrupt register (IEPINT in OTG_HS_GINTSTS) is set. Before the application can read this register, it must first read the device all endpoints interrupt (OTG_HS_DAINTE) register to get the exact endpoint number for the device endpoint-x interrupt register. The application must clear the appropriate bit in this register to clear the corresponding bits in the OTG_HS_DAINTE and OTG_HS_GINTSTS registers.

31	30	29	28	27	26	25	24	23	22	21	20	19	18	17	16	15	14	13	12	11	10	9	8	7	6	5	4	3	2	1	0				
Reserved																		NAK	Reserved	PKTDRPSTS	Reserved	TXFIFOUDRN	TXFE	INEPNE	INEPNM	ITTXFE	TOC	AHBERR	EPDISD	XFRC					
																		rc_w1		rc_w1		rc_w1	r	rc_w1	rc_w1	rc_w1	rc_w1	rc_w1	rc_w1	rc_w1	rc_w1				

Bits 31:14 Reserved, must be kept at reset value.

Bit 13 **NAK**: NAK interrupt

The core generates this interrupt when a NAK is transmitted or received by the device. In case of isochronous IN endpoints the interrupt gets generated when a zero length packet is transmitted due to unavailability of data in the Tx FIFO.

Bit 12 Reserved, must be kept at reset value.

Bit 11 **PKTDRPSTS**: Packet dropped status

This bit indicates to the application that an ISOC OUT packet has been dropped. This bit does not have an associated mask bit and does not generate an interrupt.

Bits 10:9 Reserved, must be kept at reset value.

Bit 8 **TXFIFOUDRN**: Transmit Fifo Underrun (TxfifoUndrn) The core generates this interrupt when it detects a transmit FIFO underrun condition for this endpoint.

Dependency: This interrupt is valid only when Thresholding is enabled

Bit 7 **TXFE**: Transmit FIFO empty

This interrupt is asserted when the TxFIFO for this endpoint is either half or completely empty. The half or completely empty status is determined by the TxFIFO empty level bit in the Core AHB configuration register (TXFELVL bit in OTG_HS_GAHBCFG).

Bit 6 **INEPNE**: IN endpoint NAK effective

This bit can be cleared when the application clears the IN endpoint NAK by writing to the CNAK bit in OTG_HS_DIEPCTLx.

This interrupt indicates that the core has sampled the NAK bit set (either by the application or by the core). The interrupt indicates that the IN endpoint NAK bit set by the application has taken effect in the core.

This interrupt does not guarantee that a NAK handshake is sent on the USB. A STALL bit takes priority over a NAK bit.

- Bit 5 **INEPNM**: IN token received with EP mismatch
Indicates that the data in the top of the non-periodic TxFIFO belongs to an endpoint other than the one for which the IN token was received. This interrupt is asserted on the endpoint for which the IN token was received.
- Bit 4 **ITTXFE**: IN token received when TxFIFO is empty
Applies to nonperiodic IN endpoints only.
Indicates that an IN token was received when the associated TxFIFO (periodic/nonperiodic) was empty. This interrupt is asserted on the endpoint for which the IN token was received.
- Bit 3 **TOC**: Timeout condition
Applies only to Control IN endpoints.
Indicates that the core has detected a timeout condition on the USB for the last IN token on this endpoint.
- Bit 2 **AHBERR**: AHB error
This is generated only in internal DMA mode when there is an AHB error during an AHB read/write. The application can read the corresponding endpoint DMA address register to get the error address.
- Bit 1 **EPDISD**: Endpoint disabled interrupt
This bit indicates that the endpoint is disabled per the application's request.
- Bit 0 **XFRC**: Transfer completed interrupt
This field indicates that the programmed transfer is complete on the AHB as well as on the USB, for this endpoint.

OTG_HS device endpoint-x interrupt register (OTG_HS_DOEPINTx) (x = 0..5, where x = Endpoint_number)

Address offset: 0xB08 + 0x20 * x

Reset value: 0x0000 0080

This register indicates the status of an endpoint with respect to USB- and AHB-related events. It is shown in *Figure 377*. The application must read this register when the OUT Endpoints Interrupt bit of the Core interrupt register (OEPINT bit in OTG_HS_GINTSTS) is set. Before the application can read this register, it must first read the device all endpoints interrupt (OTG_HS_DAINTE) register to get the exact endpoint number for the device Endpoint-x interrupt register. The application must clear the appropriate bit in this register to clear the corresponding bits in the OTG_HS_DAINTE and OTG_HS_GINTSTS registers.

31	30	29	28	27	26	25	24	23	22	21	20	19	18	17	16	15	14	13	12	11	10	9	8	7	6	5	4	3	2	1	0
Reserved															NYET	NAK	BERR	Reserved				OUTPKTERR	Reserved	B2BSTUP	Reserved	OTEPDIS	STUP	AHBERR	EPDISD	XFRC	
															rc_w1	rc_w1	rc_w1					rc_w1		rc_w1		rc_w1	rc_w1	rc_w1	rc_w1	rc_w1	

Bits 31:15 Reserved, must be kept at reset value.

Bit 14 **NYET**: NYET interrupt

The core generates this interrupt when a NYET response is transmitted for a nonisochronous OUT endpoint.

Bit 13 **NAK**: NAK input

The core generates this interrupt when a NAK is transmitted or received by the device. In case of isochronous IN endpoints the interrupt gets generated when a zero length packet is transmitted due to unavailability of data in the Tx FIFO.

Bit 12 **BERR**: Babble error interrupt

The core generates this interrupt when babble is received for the endpoint.

Bits 11:9 Reserved, must be kept at reset value.

Bit 8 **OUTPKTERR**: OUT packet error

This interrupt is asserted when the core detects an overflow or a CRC error for an OUT packet. This interrupt is valid only when thresholding is enabled.

Bit 7 Reserved, must be kept at reset value.

Bit 6 **B2BSTUP**: Back-to-back SETUP packets received

Applies to Control OUT endpoint only. This bit indicates that the core has received more than three back-to-back SETUP packets for this particular endpoint.

Bit 5 Reserved, must be kept at reset value.

Bit 4 **OTEPDIS**: OUT token received when endpoint disabled

Applies only to control OUT endpoint. Indicates that an OUT token was received when the endpoint was not yet enabled. This interrupt is asserted on the endpoint for which the OUT token was received.

- Bit 3 **STUP**: SETUP phase done
 Applies to control OUT endpoints only.
 Indicates that the SETUP phase for the control endpoint is complete and no more back-to-back SETUP packets were received for the current control transfer. On this interrupt, the application can decode the received SETUP data packet.
- Bit 2 **AHBERR**: AHB error
 This is generated only in internal DMA mode when there is an AHB error during an AHB read/write. The application can read the corresponding endpoint DMA address register to get the error address.
- Bit 1 **EPDISD**: Endpoint disabled interrupt
 This bit indicates that the endpoint is disabled per the application's request.
- Bit 0 **XFRCD**: Transfer completed interrupt
 This field indicates that the programmed transfer is complete on the AHB as well as on the USB, for this endpoint.

OTG_HS device IN endpoint 0 transfer size register (OTG_HS_DIEPTSIZ0)

Address offset: 0x910

Reset value: 0x0000 0000

The application must modify this register before enabling endpoint 0. Once endpoint 0 is enabled using the endpoint enable bit in the device control endpoint 0 control registers (EPENA in OTG_HS_DIEPCTL0), the core modifies this register. The application can only read this register once the core has cleared the Endpoint enable bit.

Nonzero endpoints use the registers for endpoints 1–15.

31	30	29	28	27	26	25	24	23	22	21	20	19	18	17	16	15	14	13	12	11	10	9	8	7	6	5	4	3	2	1	0
Reserved											PKTCNT		Reserved											XFRSIZ							
											rw	rw												rw	rw	rw	rw	rw	rw	rw	

Bits 31:21 Reserved, must be kept at reset value.

Bits 20:19 **PKTCNT**: Packet count
 Indicates the total number of USB packets that constitute the Transfer Size amount of data for endpoint 0.
 This field is decremented every time a packet (maximum size or short packet) is read from the TxFIFO.

Bits 18:7 Reserved, must be kept at reset value.

Bits 6:0 **XFRSIZ**: Transfer size
 Indicates the transfer size in bytes for endpoint 0. The core interrupts the application only after it has exhausted the transfer size amount of data. The transfer size can be set to the maximum packet size of the endpoint, to be interrupted at the end of each packet.
 The core decrements this field every time a packet from the external memory is written to the TxFIFO.



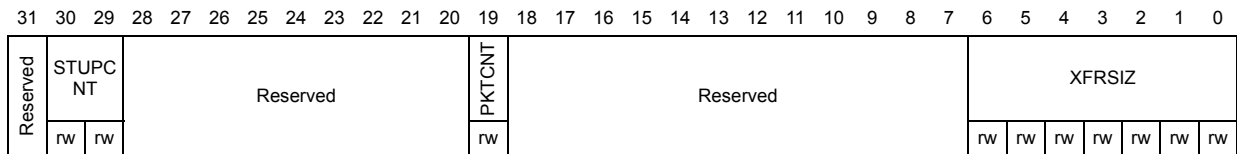
OTG_HS device OUT endpoint 0 transfer size register (OTG_HS_DOEPTSIZE0)

Address offset: 0xB10

Reset value: 0x0000 0000

The application must modify this register before enabling endpoint 0. Once endpoint 0 is enabled using the Endpoint enable bit in the device control endpoint 0 control registers (EPENA bit in OTG_HS_DOEPCTL0), the core modifies this register. The application can only read this register once the core has cleared the Endpoint enable bit.

Nonzero endpoints use the registers for endpoints 1–15.



Bit 31 Reserved, must be kept at reset value.

Bits 30:29 **STUPCNT**: SETUP packet count

This field specifies the number of back-to-back SETUP data packets the endpoint can receive.

- 01: 1 packet
- 10: 2 packets
- 11: 3 packets

Bits 28:20 Reserved, must be kept at reset value.

Bit 19 **PKTCNT**: Packet count

This field is decremented to zero after a packet is written into the RxFIFO.

Bits 18:7 Reserved, must be kept at reset value.

Bits 6:0 **XFRSIZ**: Transfer size

Indicates the transfer size in bytes for endpoint 0. The core interrupts the application only after it has exhausted the transfer size amount of data. The transfer size can be set to the maximum packet size of the endpoint, to be interrupted at the end of each packet. The core decrements this field every time a packet is read from the RxFIFO and written to the external memory.

**OTG_HS device endpoint-x transfer size register (OTG_HS_DIEPTSIZx)
(x = 1..5, where x = Endpoint_number)**

Address offset: 0x910 + 0x20 * x

Reset value: 0x0000 0000

The application must modify this register before enabling the endpoint. Once the endpoint is enabled using the Endpoint enable bit in the device endpoint-x control registers (EPENA bit in OTG_HS_DIEPCTLx), the core modifies this register. The application can only read this register once the core has cleared the Endpoint enable bit.

	31	30	29	28	27	26	25	24	23	22	21	20	19	18	17	16	15	14	13	12	11	10	9	8	7	6	5	4	3	2	1	0
Reserved	MCNT		PKTCNT											XFRSIZ																		
	r/w	r/w	r/w	r/w	r/w	r/w	r/w	r/w	r/w	r/w	r/w	r/w	r/w	r/w	r/w	r/w	r/w	r/w	r/w	r/w	r/w	r/w	r/w	r/w	r/w	r/w	r/w	r/w	r/w	r/w	r/w	

Bit 31 Reserved, must be kept at reset value.

Bits 30:29 MCNT: Multi count

For periodic IN endpoints, this field indicates the number of packets that must be transmitted per frame on the USB. The core uses this field to calculate the data PID for isochronous IN endpoints.

- 01: 1 packet
- 10: 2 packets
- 11: 3 packets

Bit 28:19 PKTCNT: Packet count

Indicates the total number of USB packets that constitute the Transfer Size amount of data for this endpoint.

This field is decremented every time a packet (maximum size or short packet) is read from the Tx FIFO.

Bits 18:0 XFRSIZ: Transfer size

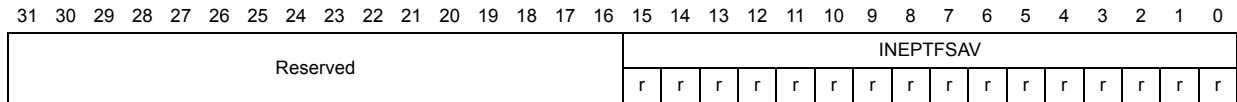
This field contains the transfer size in bytes for the current endpoint. The core only interrupts the application after it has exhausted the transfer size amount of data. The transfer size can be set to the maximum packet size of the endpoint, to be interrupted at the end of each packet.

The core decrements this field every time a packet from the external memory is written to the Tx FIFO.

OTG_HS device IN endpoint transmit FIFO status register (OTG_HS_DTXFSTSx) (x = 0..5, where x = Endpoint_number)

Address offset for IN endpoints: 0x918 + 0x20 + x

This read-only register contains the free space information for the Device IN endpoint TxFIFO.



31:16 Reserved, must be kept at reset value.

15:0 **INEPTFSAV**: IN endpoint TxFIFO space avail ()

Indicates the amount of free space available in the Endpoint TxFIFO.

Values are in terms of 32-bit words:

0x0: Endpoint TxFIFO is full

0x1: 1 word available

0x2: 2 words available

0xn: n words available (0 < n < 512)

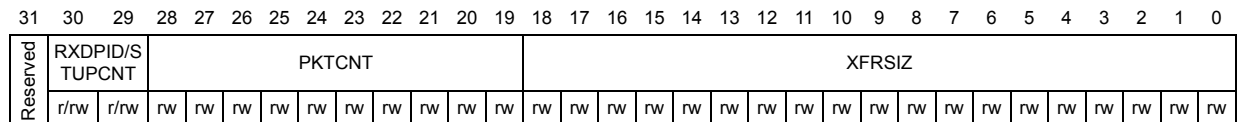
Others: Reserved

OTG_HS device endpoint-x transfer size register (OTG_HS_DOEPTSIZx) (x = 1..5, where x = Endpoint_number)

Address offset: 0xB10 + 0x20 * x

Reset value: 0x0000 0000

The application must modify this register before enabling the endpoint. Once the endpoint is enabled using Endpoint Enable bit of the device endpoint-x control registers (EPENA bit in OTG_HS_DOEPCTLx), the core modifies this register. The application can only read this register once the core has cleared the Endpoint enable bit.



Bit 31 Reserved, must be kept at reset value.

Bits 30:29 **RXDPID**: Received data PID (access type is "r")

Applies to isochronous OUT endpoints only.

This is the data PID received in the last packet for this endpoint.

00: DATA0

01: DATA2

10: DATA1

11: MDATA

STUPCNT: SETUP packet count (access type is "rw")

Applies to control OUT Endpoints only.

This field specifies the number of back-to-back SETUP data packets the endpoint can receive.

01: 1 packet

10: 2 packets

11: 3 packets

Bit 28:19 **PKTCNT**: Packet count

Indicates the total number of USB packets that constitute the Transfer Size amount of data for this endpoint.

This field is decremented every time a packet (maximum size or short packet) is written to the RxFIFO.

Bits 18:0 **XFRSIZ**: Transfer size

This field contains the transfer size in bytes for the current endpoint. The core only interrupts the application after it has exhausted the transfer size amount of data. The transfer size can be set to the maximum packet size of the endpoint, to be interrupted at the end of each packet.

The core decrements this field every time a packet is read from the RxFIFO and written to the external memory.

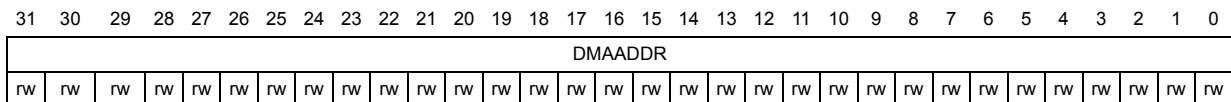
OTG_HS device endpoint-x DMA address register (OTG_HS_DIEPDMAx / OTG_HS_DOEPDMAx) (x = 0..5, where x = Endpoint_number)

Address offset for IN endpoints: $0x914 + 0x20 * x$

Reset value: 0XXXXX XXXX

Address offset for OUT endpoints: $0xB14 + 0x20 * x$

Reset value: 0XXXXX XXXX



Bits 31:0 **DMAADDR**: DMA address

This bit holds the start address of the external memory for storing or fetching endpoint data.

Note: For control endpoints, this field stores control OUT data packets as well as SETUP transaction data packets. When more than three SETUP packets are received back-to-back, the SETUP data packet in the memory is overwritten. This register is incremented on every AHB transaction. The application can give only a word-aligned address.



30.12.5 OTG_HS power and clock gating control register (OTG_HS_PCGCTL)

Address offset: 0xE00

Reset value: 0x0000 0000

This register is available in host and peripheral modes.

31	30	29	28	27	26	25	24	23	22	21	20	19	18	17	16	15	14	13	12	11	10	9	8	7	6	5	4	3	2	1	0
Reserved																												PHYSUSP	Reserved	GATEHCLK	STPPCLK
																												rw		rw	rw

Bit 31:5 Reserved, must be kept at reset value.

Bit 4 **PHYSUSP**: PHY suspended

Indicates that the PHY has been suspended. This bit is updated once the PHY is suspended after the application has set the STPPCLK bit (bit 0).

Bits 3:2 Reserved, must be kept at reset value.

Bit 1 **GATEHCLK**: Gate HCLK

The application sets this bit to gate HCLK to modules other than the AHB Slave and Master and wake-up logic when the USB is suspended or the session is not valid. The application clears this bit when the USB is resumed or a new session starts.

Bit 0 **STPPCLK**: Stop PHY clock

The application sets this bit to stop the PHY clock when the USB is suspended, the session is not valid, or the device is disconnected. The application clears this bit when the USB is resumed or a new session starts.

30.12.6 OTG_HS register map

The table below gives the USB OTG register map and reset values.

Table 168. OTG_HS register map and reset values

Offset	Register	31	30	29	28	27	26	25	24	23	22	21	20	19	18	17	16	15	14	13	12	11	10	9	8	7	6	5	4	3	2	1	0	
0x000	OTG_HS_GO TGCTL	Reserved													BSVLD	ASVLD	DBCT	CIDSTS	Reserved					DHNPEN	HSHNPEN	HNPREQ	HNGSCS	Reserved					SRQ	SRQSCS
	Reset value														0	0	0	1						0	0	0	0						0	0
0x004	OTG_HS_GO TGINT	Reserved													DECDNE	ADTOCHG	HNGDET	Reserved					HNSCHG		SRSSCHG	Reserved					SEDET	Res.		
	Reset value														0	0	0						0		0						0			
0x008	OTG_HS_GA HBCFG	Reserved																								PTXFELVL	TXFELVL	Reserved					GINT	
	Reset value																									0	0						0	

Table 168. OTG_HS register map and reset values (continued)

Offset	Register	31	30	29	28	27	26	25	24	23	22	21	20	19	18	17	16	15	14	13	12	11	10	9	8	7	6	5	4	3	2	1	0					
0x00C	OTG_HS_GU_SBCFG	CTXPKT	FDMOD	FHMOD	Reserved				ULPIIPD	PTCI	PCCI	TSDPS	ULPIEVBUSI	ULPIEVBUSD	ULPICSMS	ULPIAR	ULPIFSL	Reserved	PHYLPCS	Reserved	TRDT				HNPCAP	SRPCAP	Reserved	PHYSEL	Reserve ^a				TOTAL					
	Reset value	0	0	0					0	0	0	0	0	0	0	0	0	0	0	0	0	0	0	0	0	0	0	0	0	0	0	0	0	0				
0x010	OTG_HS_GR_STCTL	AHBIDL	DMAREQ	Reserved																								TXFNUM			TXFFLSH	RXFFLSH	Reserved	FCRST	HSRST	CSRST		
	Reset value	1	0																									0	0	0	0	0	0	0	0	0	0	0
0x014	OTG_HS_GIN_TSTS	WKUJNT	SRQINT	DISCINT	CIDSCHG	Reserved	PTXFE	HCINT	HPRTINT	Reserved	DATAFSUSP	IPXFRM/ISOXFR	IISOXFR	OEPINT	IEPINT	Reserved	EOPF	ISODRPM	ENUMDNE	USBRST	USBSUSPM	ESUSPM	Reserved	GONAKEFF	GONAKEFF	NPTXFE	RXFLV	SOF	OTGINT	MMIS	CMOD							
	Reset value	0	0	0	0		1	0	0		0	0	0	0	0		0	0	0	0	0	0		0	0	1	0	0	0	0	0	0						
0x018	OTG_HS_GIN_TMSK	WUJIM	SRQIM	DISCINT	CIDSCHGM	Reserved	PTXFEM	HCIM	PRTIM	Reserved	FSUSPM	IPXFRM/ISOXFRM	IISOXFRM	OEPINT	IEPINT	Reserved	EOPFM	ISOODRPM	ENUMDNEM	USBRST	USBSUSPM	ESUSPM	Reserved	GONAKEFFM	GONAKEFFM	NPTXFEM	RXFLVLM	SOFM	OTGINT	MMISM	Reserved							
	Reset value	0	0	0	0		0	0	0		0	0	0	0	0		0	0	0	0	0	0		0	0	0	0	0	0	0	0	0						
0x01C	OTG_HS_GR_XSTSR (Host mode)	Reserved										PKTSTS	DPID	BCNT										CHNUM														
	Reset value											0	0	0	0	0	0	0	0	0	0	0	0	0	0	0	0	0	0	0	0	0	0	0				
0x01C	OTG_HS_GR_XSTSR (peripheral mode)	Reserved						FRMNUM	PKTSTS	DPID	BCNT										EPNUM																	
	Reset value							0	0	0	0	0	0	0	0	0	0	0	0	0	0	0	0	0	0	0	0	0	0	0	0	0	0					
0x020	OTG_HS_GR_XTSP (Host mode)	Reserved										PKTSTS	DPID	BCNT										CHNUM														
	Reset value											0	0	0	0	0	0	0	0	0	0	0	0	0	0	0	0	0	0	0	0	0	0	0				
0x020	OTG_HS_GR_XTSP (peripheral mode)	Reserved						FRMNUM	PKTSTS	DPID	BCNT										EPNUM																	
	Reset value							0	0	0	0	0	0	0	0	0	0	0	0	0	0	0	0	0	0	0	0	0	0	0	0	0	0					
0x024	OTG_HS_GR_XFSIZ	Reserved																RXFD																				
	Reset value																	0	0	0	0	0	0	0	0	0	0	0	0	0	0	0	0	0	0	0	0	



Table 168. OTG_HS register map and reset values (continued)

Offset	Register	31	30	29	28	27	26	25	24	23	22	21	20	19	18	17	16	15	14	13	12	11	10	9	8	7	6	5	4	3	2	1	0	
0x028	OTG_HS_GNPTXFSIZ (Host mode)	NPTXFD																NPTXFSA																
	Reset value	0	0	0	0	0	0	0	0	0	0	0	0	0	0	0	0	0	0	0	0	0	0	0	1	0	0	0	0	0	0	0	0	0
0x02C	OTG_HS_GNPTXSTS	Res.	NPTXQTOP								NPTXQSAV								NPTXFSAV															
	Reset value		0	0	0	0	0	0	0	0	0	0	0	0	1	0	0	0	0	0	0	0	0	1	0	0	0	0	0	0	0	0	0	0
0x030	OTG_HS_GI2CCTL	BSYDNE	RW	Reserved	I2CDATSE0	I2CDEVADR	Reserved	ACK	I2CEN	ADDR								REGADDR				RWDATA												
0x038	OTG_HS_GC_CFG	Reserved											NOVBUSSENS	SOFOUTEN	VBUSSEN	VBUSASEN	I2CPADEN	PWRDWN	Reserved															
	Reset value												0	0	0	0	0	0																
0x03C	OTG_HS_CID	PRODUCT_ID																																
	Reset value	0	0	0	0	0	0	0	0	0	0	0	0	0	0	0	0	0	0	0	1	0	0	0	1	0	0	0	0	0	0	0	0	0
0x100	OTG_HS_HPTXFSIZ	PTXFD																PTXSA																
	Reset value	0	0	0	0	0	0	1	0	0	0	0	0	0	0	0	0	0	0	0	0	1	0	0	0	0	0	0	0	0	0	0	0	
0x104	OTG_HS_DIEPTXF1	INEPTXFD																INEPTXSA																
	Reset value	0	0	0	0	0	0	1	0	0	0	0	0	0	0	0	0	0	0	0	0	1	0	0	0	0	0	0	0	0	0	0	0	
0x108	OTG_HS_DIEPTXF2	INEPTXFD																INEPTXSA																
	Reset value	0	0	0	0	0	0	1	0	0	0	0	0	0	0	0	0	0	0	0	0	1	0	0	0	0	0	0	0	0	0	0	0	
0x10C	OTG_HS_DIEPTXF3	INEPTXFD																INEPTXSA																
	Reset value	0	0	0	0	0	0	1	0	0	0	0	0	0	0	0	0	0	0	0	0	1	0	0	0	0	0	0	0	0	0	0	0	
0x110	OTG_HS_DIEPTXF4	INEPTXFD																INEPTXSA																
	Reset value	0	0	0	0	0	0	1	0	0	0	0	0	0	0	0	0	0	0	0	0	1	0	0	0	0	0	0	0	0	0	0	0	
0x400	OTG_HS_HCFG	Reserved																								FSLSS	FSLSPCS							
	Reset value																									0	0	0						
0x404	OTG_HS_HFIR	Reserved																FRIVL																
	Reset value																	1	1	1	0	1	0	1	0	0	1	1	0	0	0	0	0	0
0x408	OTG_HS_HFNUM	FTREM																FRNUM																
	Reset value	0	0	0	0	0	0	0	0	0	0	0	0	0	0	0	0	0	0	1	1	1	1	1	1	1	1	1	1	1	1	1		
0x410	OTG_HS_HPTXSTS	PTXQTOP								PTXQSAV								PTXFSAVL																
	Reset value	0	0	0	0	0	0	0	0	Y	Y	Y	Y	Y	Y	Y	Y	Y	Y	Y	Y	Y	Y	Y	Y	Y	Y	Y	Y	Y	Y	Y		

Table 168. OTG_HS register map and reset values (continued)

Offset	Register	31	30	29	28	27	26	25	24	23	22	21	20	19	18	17	16	15	14	13	12	11	10	9	8	7	6	5	4	3	2	1	0																
0x414	OTG_HS_HAI NT	Reserved																HAINT																															
	Reset value																	0	0	0	0	0	0	0	0	0	0	0	0	0	0	0	0	0	0	0	0	0	0	0	0	0	0	0	0	0	0	0	0
0x418	OTG_HS_HAI NTMSK	Reserved																HAINTM																															
	Reset value																	0	0	0	0	0	0	0	0	0	0	0	0	0	0	0	0	0	0	0	0	0	0	0	0	0	0	0	0	0	0	0	0
0x440	OTG_HS_HPR T	Reserved													PSP D		PTCTL			PPWR	PLSTS	Reserved	PRST	PSUSP	PRES	POCCHNG	POCA	PENCHNG	PENA	PCDET	PCSTS																		
	Reset value														0	0	0	0	0	0	0	0	0	0	0	0	0	0	0	0	0	0	0	0	0	0	0	0	0	0	0	0	0	0	0	0			
0x500	OTG_HS_HC CHAR0	CHENA	CHDIS	ODDFRM	DAD						MC	EPTYP	LSDEV	Reserved	EPDIR	EPNUM	MPSIZ																																
	Reset value	0	0	0	0	0	0	0	0	0	0	0	0	0	0	0	0	0	0	0	0	0	0	0	0	0	0	0	0	0	0	0	0	0	0	0													
0x520	OTG_HS_HC CHAR1	CHENA	CHDIS	ODDFRM	DAD						MC	EPTYP	LSDEV	Reserved	EPDIR	EPNUM	MPSIZ																																
	Reset value	0	0	0	0	0	0	0	0	0	0	0	0	0	0	0	0	0	0	0	0	0	0	0	0	0	0	0	0	0	0	0	0	0	0	0													
0x540	OTG_HS_HC CHAR2	CHENA	CHDIS	ODDFRM	DAD						MC	EPTYP	LSDEV	Reserved	EPDIR	EPNUM	MPSIZ																																
	Reset value	0	0	0	0	0	0	0	0	0	0	0	0	0	0	0	0	0	0	0	0	0	0	0	0	0	0	0	0	0	0	0	0	0	0	0													
0x560	OTG_HS_HC CHAR3	CHENA	CHDIS	ODDFRM	DAD						MC	EPTYP	LSDEV	Reserved	EPDIR	EPNUM	MPSIZ																																
	Reset value	0	0	0	0	0	0	0	0	0	0	0	0	0	0	0	0	0	0	0	0	0	0	0	0	0	0	0	0	0	0	0	0	0	0	0													
0x580	OTG_HS_HC CHAR4	CHENA	CHDIS	ODDFRM	DAD						MC	EPTYP	LSDEV	Reserved	EPDIR	EPNUM	MPSIZ																																
	Reset value	0	0	0	0	0	0	0	0	0	0	0	0	0	0	0	0	0	0	0	0	0	0	0	0	0	0	0	0	0	0	0	0	0	0	0													
0x5A0	OTG_HS_HC CHAR5	CHENA	CHDIS	ODDFRM	DAD						MC	EPTYP	LSDEV	Reserved	EPDIR	EPNUM	MPSIZ																																
	Reset value	0	0	0	0	0	0	0	0	0	0	0	0	0	0	0	0	0	0	0	0	0	0	0	0	0	0	0	0	0	0	0	0	0	0	0													
0x5C0	OTG_HS_HC CHAR6	CHENA	CHDIS	ODDFRM	DAD						MC	EPTYP	LSDEV	Reserved	EPDIR	EPNUM	MPSIZ																																
	Reset value	0	0	0	0	0	0	0	0	0	0	0	0	0	0	0	0	0	0	0	0	0	0	0	0	0	0	0	0	0	0	0	0	0	0	0													
0x5E0	OTG_HS_HC CHAR7	CHENA	CHDIS	ODDFRM	DAD						MC	EPTYP	LSDEV	Reserved	EPDIR	EPNUM	MPSIZ																																
	Reset value	0	0	0	0	0	0	0	0	0	0	0	0	0	0	0	0	0	0	0	0	0	0	0	0	0	0	0	0	0	0	0	0	0	0	0													
0x600	OTG_HS_HC CHAR8	CHENA	CHDIS	ODDFRM	DAD						MC	EPTYP	LSDEV	Reserved	EPDIR	EPNUM	MPSIZ																																
	Reset value	0	0	0	0	0	0	0	0	0	0	0	0	0	0	0	0	0	0	0	0	0	0	0	0	0	0	0	0	0	0	0	0	0	0	0													

Table 168. OTG_HS register map and reset values (continued)

Offset	Register	31	30	29	28	27	26	25	24	23	22	21	20	19	18	17	16	15	14	13	12	11	10	9	8	7	6	5	4	3	2	1	0	
0x620	OTG_HS_HC_CHAR9	CHENA	CHDIS	ODDFRM	DAD						MC		EPTYP	LSDEV	Reserved	EPDIR	EPNUM				MPSIZ													
	Reset value	0	0	0	0	0	0	0	0	0	0	0	0	0	0	0	0	0	0	0	0	0	0	0	0	0	0	0	0	0	0	0	0	0
0x640	OTG_HS_HC_CHAR10	CHENA	CHDIS	ODDFRM	DAD						MC		EPTYP	LSDEV	Reserved	EPDIR	EPNUM				MPSIZ													
	Reset value	0	0	0	0	0	0	0	0	0	0	0	0	0	0	0	0	0	0	0	0	0	0	0	0	0	0	0	0	0	0	0	0	0
0x660	OTG_HS_HC_CHAR11	CHENA	CHDIS	ODDFRM	DAD						MC		EPTYP	LSDEV	Reserved	EPDIR	EPNUM				MPSIZ													
	Reset value	0	0	0	0	0	0	0	0	0	0	0	0	0	0	0	0	0	0	0	0	0	0	0	0	0	0	0	0	0	0	0	0	0
0x504	OTG_HS_HCS_PLT0	SPLITEN	Reserved										COMPLSPLT	XACTPOS	HUBADDR				PRTADDR															
	Reset value	0											0	0	0	0	0	0	0	0	0	0	0	0	0	0	0	0	0	0	0	0	0	0
0x508	OTG_HS_HCI_NT0	Reserved																DTERR	FRMOR	BBERR	TXERR	NYET	ACK	NAK	STALL	AHBERR	CHH	XFRC						
	Reset value																	0	0	0	0	0	0	0	0	0	0	0	0	0	0	0	0	0
0x524	OTG_HS_HCS_PL1	SPLITEN	Reserved										COMPLSPLT	XACTPOS	HUBADDR				PRTADDR															
	Reset value	0											0	0	0	0	0	0	0	0	0	0	0	0	0	0	0	0	0	0	0	0	0	0
0x528	OTG_HS_HCI_NT1	Reserved																DTERR	FRMOR	BBERR	TXERR	NYET	ACK	NAK	STALL	AHBERR	CHH	XFRC						
	Reset value																	0	0	0	0	0	0	0	0	0	0	0	0	0	0	0	0	0
0x544	OTG_HS_HCS_PLT2	SPLITEN	Reserved										COMPLSPLT	XACTPOS	HUBADDR				PRTADDR															
	Reset value	0											0	0	0	0	0	0	0	0	0	0	0	0	0	0	0	0	0	0	0	0	0	0
0x548	OTG_HS_HCI_NT2	Reserved																DTERR	FRMOR	BBERR	TXERR	NYET	ACK	NAK	STALL	AHBERR	CHH	XFRC						
	Reset value																	0	0	0	0	0	0	0	0	0	0	0	0	0	0	0	0	0
0x564	OTG_HS_HCS_PLT3	SPLITEN	Reserved										COMPLSPLT	XACTPOS	HUBADDR				PRTADDR															
	Reset value	0											0	0	0	0	0	0	0	0	0	0	0	0	0	0	0	0	0	0	0	0	0	0
0x568	OTG_HS_HCI_NT3	Reserved																DTERR	FRMOR	BBERR	TXERR	NYET	ACK	NAK	STALL	AHBERR	CHH	XFRC						
	Reset value																	0	0	0	0	0	0	0	0	0	0	0	0	0	0	0	0	0

Table 168. OTG_HS register map and reset values (continued)

Offset	Register	31	30	29	28	27	26	25	24	23	22	21	20	19	18	17	16	15	14	13	12	11	10	9	8	7	6	5	4	3	2	1	0
0x584	OTG_HS_HCS PLT4	SPLITEN	Reserved														COMPLSPLT	XACTPOS			HUBADDR				PRTADDR								
	Reset value		0	0	0	0	0	0	0	0	0	0	0	0	0	0		0	0	0	0	0	0	0	0	0	0	0	0	0	0	0	0
0x588	OTG_HS_HCI NT4	Reserved																				DTERR	FRMOR	BBERR	TXERR	NYET	ACK	NAK	STALL	AHBERR	CHH	XFRC	
	Reset value	0	0	0	0	0	0	0	0	0	0	0	0	0	0	0	0	0	0	0	0	0	0	0	0	0	0	0	0	0	0	0	0
0x5A4	OTG_HS_HCS PLT5	SPLITEN	Reserved														COMPLSPLT	XACTPOS			HUBADDR				PRTADDR								
	Reset value		0	0	0	0	0	0	0	0	0	0	0	0	0	0		0	0	0	0	0	0	0	0	0	0	0	0	0	0	0	0
0x5A8	OTG_HS_HCI NT5	Reserved																				DTERR	FRMOR	BBERR	TXERR	NYET	ACK	NAK	STALL	AHBERR	CHH	XFRC	
	Reset value	0	0	0	0	0	0	0	0	0	0	0	0	0	0	0	0	0	0	0	0	0	0	0	0	0	0	0	0	0	0	0	0
0x5C4	OTG_HS_HCS PLT6	SPLITEN	Reserved														COMPLSPLT	XACTPOS			HUBADDR				PRTADDR								
	Reset value		0	0	0	0	0	0	0	0	0	0	0	0	0	0		0	0	0	0	0	0	0	0	0	0	0	0	0	0	0	0
0x5C8	OTG_HS_HCI NT6	Reserved																				DTERR	FRMOR	BBERR	TXERR	NYET	ACK	NAK	STALL	AHBERR	CHH	XFRC	
	Reset value	0	0	0	0	0	0	0	0	0	0	0	0	0	0	0	0	0	0	0	0	0	0	0	0	0	0	0	0	0	0	0	0
0x5E4	OTG_HS_HCS PLT7	SPLITEN	Reserved														COMPLSPLT	XACTPOS			HUBADDR				PRTADDR								
	Reset value		0	0	0	0	0	0	0	0	0	0	0	0	0	0		0	0	0	0	0	0	0	0	0	0	0	0	0	0	0	0
0x5E8	OTG_HS_HCI NT7	Reserved																				DTERR	FRMOR	BBERR	TXERR	NYET	ACK	NAK	STALL	AHBERR	CHH	XFRC	
	Reset value	0	0	0	0	0	0	0	0	0	0	0	0	0	0	0	0	0	0	0	0	0	0	0	0	0	0	0	0	0	0	0	0
0x604	OTG_HS_HCS PLT8	SPLITEN	Reserved														COMPLSPLT	XACTPOS			HUBADDR				PRTADDR								
	Reset value		0	0	0	0	0	0	0	0	0	0	0	0	0	0		0	0	0	0	0	0	0	0	0	0	0	0	0	0	0	0
0x608	OTG_HS_HCI NT8	Reserved																				DTERR	FRMOR	BBERR	TXERR	NYET	ACK	NAK	STALL	AHBERR	CHH	XFRC	
	Reset value	0	0	0	0	0	0	0	0	0	0	0	0	0	0	0	0	0	0	0	0	0	0	0	0	0	0	0	0	0	0	0	0

Table 168. OTG_HS register map and reset values (continued)

Offset	Register	31	30	29	28	27	26	25	24	23	22	21	20	19	18	17	16	15	14	13	12	11	10	9	8	7	6	5	4	3	2	1	0
0x624	OTG_HS_HCS PLT9	SPLITEN	Reserved														COMPLSPLT	XACTPOS			HUBADDR				PRTADDR								
	Reset value		0	0	0	0	0	0	0	0	0	0	0	0	0	0		0	0	0	0	0	0	0	0	0	0	0	0	0	0	0	0
0x628	OTG_HS_HCI NT9	Reserved																				DTERR	FRMOR	BBERR	TXERR	NYET	ACK	NAK	STALL	AHBERR	CHM	XFRCM	
	Reset value	0	0	0	0	0	0	0	0	0	0	0	0	0	0	0	0	0	0	0	0	0	0	0	0	0	0	0	0	0	0	0	0
0x644	OTG_HS_HCS PLT10	SPLITEN	Reserved														COMPLSPLT	XACTPOS			HUBADDR				PRTADDR								
	Reset value		0	0	0	0	0	0	0	0	0	0	0	0	0	0		0	0	0	0	0	0	0	0	0	0	0	0	0	0	0	0
0x648	OTG_HS_HCI NT10	Reserved																				DTERR	FRMOR	BBERR	TXERR	NYET	ACK	NAK	STALL	AHBERR	CHM	XFRCM	
	Reset value	0	0	0	0	0	0	0	0	0	0	0	0	0	0	0	0	0	0	0	0	0	0	0	0	0	0	0	0	0	0	0	0
0x664	OTG_HS_HCS PLT11	SPLITEN	Reserved														COMPLSPLT	XACTPOS			HUBADDR				PRTADDR								
	Reset value		0	0	0	0	0	0	0	0	0	0	0	0	0	0		0	0	0	0	0	0	0	0	0	0	0	0	0	0	0	0
0x668	OTG_HS_HCI NT11	Reserved																				DTERR	FRMOR	BBERR	TXERR	NYET	ACK	NAK	STALL	AHBERR	CHM	XFRCM	
	Reset value	0	0	0	0	0	0	0	0	0	0	0	0	0	0	0	0	0	0	0	0	0	0	0	0	0	0	0	0	0	0	0	0
0x50C	OTG_HS_HCI NTMSK0	Reserved																				DTERRM	FRMORM	BBERRM	TXERRM	NYET	ACKM	NAKM	STALLM	AHBERRM	CHHM	XFRCM	
	Reset value	0	0	0	0	0	0	0	0	0	0	0	0	0	0	0	0	0	0	0	0	0	0	0	0	0	0	0	0	0	0	0	0
0x52C	OTG_HS_HCI NTMSK1	Reserved																				DTERRM	FRMORM	BBERRM	TXERRM	NYET	ACKM	NAKM	STALLM	AHBERRM	CHHM	XFRCM	
	Reset value	0	0	0	0	0	0	0	0	0	0	0	0	0	0	0	0	0	0	0	0	0	0	0	0	0	0	0	0	0	0	0	0
0x54C	OTG_HS_HCI NTMSK2	Reserved																				DTERRM	FRMORM	BBERRM	TXERRM	NYET	ACKM	NAKM	STALLM	AHBERRM	CHHM	XFRCM	
	Reset value	0	0	0	0	0	0	0	0	0	0	0	0	0	0	0	0	0	0	0	0	0	0	0	0	0	0	0	0	0	0	0	0
0x56C	OTG_HS_HCI NTMSK3	Reserved																				DTERRM	FRMORM	BBERRM	TXERRM	NYET	ACKM	NAKM	STALLM	AHBERRM	CHHM	XFRCM	
	Reset value	0	0	0	0	0	0	0	0	0	0	0	0	0	0	0	0	0	0	0	0	0	0	0	0	0	0	0	0	0	0	0	0
0x58C	OTG_HS_HCI NTMSK4	Reserved																				DTERRM	FRMORM	BBERRM	TXERRM	NYET	ACKM	NAKM	STALLM	AHBERRM	CHHM	XFRCM	
	Reset value	0	0	0	0	0	0	0	0	0	0	0	0	0	0	0	0	0	0	0	0	0	0	0	0	0	0	0	0	0	0	0	0



Table 168. OTG_HS register map and reset values (continued)

Offset	Register	31	30	29	28	27	26	25	24	23	22	21	20	19	18	17	16	15	14	13	12	11	10	9	8	7	6	5	4	3	2	1	0																										
0x5AC	OTG_HS_HCI NTMSK5	Reserved																					DTERRM	FRMORM	BBERRM	TXERRM	NYET	ACKM	NAKM	STALLM	AHBERRM	CHHM	XFRM																										
	Reset value																						0	0	0	0	0	0	0	0	0	0	0	0	0	0	0	0	0	0	0	0	0	0	0	0	0	0	0	0	0	0	0	0					
0x5CC	OTG_HS_HCI NTMSK6	Reserved																					DTERRM	FRMORM	BBERRM	TXERRM	NYET	ACKM	NAKM	STALLM	AHBERRM	CHHM	XFRM																										
	Reset value																						0	0	0	0	0	0	0	0	0	0	0	0	0	0	0	0	0	0	0	0	0	0	0	0	0	0	0	0	0	0	0	0	0	0			
0x5EC	OTG_HS_HCI NTMSK7	Reserved																					DTERRM	FRMORM	BBERRM	TXERRM	NYET	ACKM	NAKM	STALLM	AHBERRM	CHHM	XFRM																										
	Reset value																						0	0	0	0	0	0	0	0	0	0	0	0	0	0	0	0	0	0	0	0	0	0	0	0	0	0	0	0	0	0	0	0	0	0	0		
0x60C	OTG_HS_HCI NTMSK8	Reserved																					DTERRM	FRMORM	BBERRM	TXERRM	NYET	ACKM	NAKM	STALLM	AHBERRM	CHHM	XFRM																										
	Reset value																						0	0	0	0	0	0	0	0	0	0	0	0	0	0	0	0	0	0	0	0	0	0	0	0	0	0	0	0	0	0	0	0	0	0	0	0	
0x62C	OTG_HS_HCI NTMSK9	Reserved																					DTERRM	FRMORM	BBERRM	TXERRM	NYET	ACKM	NAKM	STALLM	AHBERRM	CHHM	XFRM																										
	Reset value																						0	0	0	0	0	0	0	0	0	0	0	0	0	0	0	0	0	0	0	0	0	0	0	0	0	0	0	0	0	0	0	0	0	0	0	0	0
0x64C	OTG_HS_HCI NTMSK10	Reserved																					DTERRM	FRMORM	BBERRM	TXERRM	NYET	ACKM	NAKM	STALLM	AHBERRM	CHHM	XFRM																										
	Reset value																						0	0	0	0	0	0	0	0	0	0	0	0	0	0	0	0	0	0	0	0	0	0	0	0	0	0	0	0	0	0	0	0	0	0	0	0	0
0x66C	OTG_HS_HCI NTMSK11	Reserved																					DTERRM	FRMORM	BBERRM	TXERRM	NYET	ACKM	NAKM	STALLM	AHBERRM	CHHM	XFRM																										
	Reset value																						0	0	0	0	0	0	0	0	0	0	0	0	0	0	0	0	0	0	0	0	0	0	0	0	0	0	0	0	0	0	0	0	0	0	0	0	0
0x510	OTG_HS_HCT SIZ0	DOPING	DPID	PKTCNT												XFRSIZ																																											
	Reset value	0	0	0	0	0	0	0	0	0	0	0	0	0	0	0	0	0	0	0	0	0	0	0	0	0	0	0	0	0	0	0	0	0	0	0	0																						
0x530	OTG_HS_HCT SIZ1	DOPING	DPID	PKTCNT												XFRSIZ																																											
	Reset value	0	0	0	0	0	0	0	0	0	0	0	0	0	0	0	0	0	0	0	0	0	0	0	0	0	0	0	0	0	0	0	0	0	0	0	0	0																					
0x550	OTG_HS_HCT SIZ2	DOPING	DPID	PKTCNT												XFRSIZ																																											
	Reset value	0	0	0	0	0	0	0	0	0	0	0	0	0	0	0	0	0	0	0	0	0	0	0	0	0	0	0	0	0	0	0	0	0	0	0	0	0																					
0x570	OTG_HS_HCT SIZ3	DOPING	DPID	PKTCNT												XFRSIZ																																											
	Reset value	0	0	0	0	0	0	0	0	0	0	0	0	0	0	0	0	0	0	0	0	0	0	0	0	0	0	0	0	0	0	0	0	0	0	0	0	0																					

Table 168. OTG_HS register map and reset values (continued)

Offset	Register	31	30	29	28	27	26	25	24	23	22	21	20	19	18	17	16	15	14	13	12	11	10	9	8	7	6	5	4	3	2	1	0
0x590	OTG_HS_HCT_SIZ4	DOPING	DPID		PKTCNT										XFRSIZ																		
	Reset value	0	0	0	0	0	0	0	0	0	0	0	0	0	0	0	0	0	0	0	0	0	0	0	0	0	0	0	0	0	0	0	0
0x5B0	OTG_HS_HCT_SIZ5	DOPING	DPID		PKTCNT										XFRSIZ																		
	Reset value	0	0	0	0	0	0	0	0	0	0	0	0	0	0	0	0	0	0	0	0	0	0	0	0	0	0	0	0	0	0	0	0
0x5D0	OTG_HS_HCT_SIZ6	DOPING	DPID		PKTCNT										XFRSIZ																		
	Reset value	0	0	0	0	0	0	0	0	0	0	0	0	0	0	0	0	0	0	0	0	0	0	0	0	0	0	0	0	0	0	0	0
0x5F0	OTG_HS_HCT_SIZ7	DOPING	DPID		PKTCNT										XFRSIZ																		
	Reset value	0	0	0	0	0	0	0	0	0	0	0	0	0	0	0	0	0	0	0	0	0	0	0	0	0	0	0	0	0	0	0	0
0x610	OTG_HS_HCT_SIZ8	DOPING	DPID		PKTCNT										XFRSIZ																		
	Reset value	0	0	0	0	0	0	0	0	0	0	0	0	0	0	0	0	0	0	0	0	0	0	0	0	0	0	0	0	0	0	0	0
0x630	OTG_HS_HCT_SIZ9	DOPING	DPID		PKTCNT										XFRSIZ																		
	Reset value	0	0	0	0	0	0	0	0	0	0	0	0	0	0	0	0	0	0	0	0	0	0	0	0	0	0	0	0	0	0	0	0
0x650	OTG_HS_HCT_SIZ10	DOPING	DPID		PKTCNT										XFRSIZ																		
	Reset value	0	0	0	0	0	0	0	0	0	0	0	0	0	0	0	0	0	0	0	0	0	0	0	0	0	0	0	0	0	0	0	0
0x670	OTG_HS_HCT_SIZ11	DOPING	DPID		PKTCNT										XFRSIZ																		
	Reset value	0	0	0	0	0	0	0	0	0	0	0	0	0	0	0	0	0	0	0	0	0	0	0	0	0	0	0	0	0	0	0	0
0x514	OTG_HS_HC_DMA0	DMAADDR																															
	Reset value	0	0	0	0	0	0	0	0	0	0	0	0	0	0	0	0	0	0	0	0	0	0	0	0	0	0	0	0	0	0	0	0
0x524	OTG_HS_HC_DMA1	DMAADDR																															
	Reset value	0	0	0	0	0	0	0	0	0	0	0	0	0	0	0	0	0	0	0	0	0	0	0	0	0	0	0	0	0	0	0	0
0x544	OTG_HS_HC_DMA2	DMAADDR																															
	Reset value	0	0	0	0	0	0	0	0	0	0	0	0	0	0	0	0	0	0	0	0	0	0	0	0	0	0	0	0	0	0	0	0
0x564	OTG_HS_HC_DMA3	DMAADDR																															
	Reset value	0	0	0	0	0	0	0	0	0	0	0	0	0	0	0	0	0	0	0	0	0	0	0	0	0	0	0	0	0	0	0	0
0x584	OTG_HS_HC_DMA4	DMAADDR																															
	Reset value	0	0	0	0	0	0	0	0	0	0	0	0	0	0	0	0	0	0	0	0	0	0	0	0	0	0	0	0	0	0	0	0
0x5A4	OTG_HS_HC_DMA5	DMAADDR																															
	Reset value	0	0	0	0	0	0	0	0	0	0	0	0	0	0	0	0	0	0	0	0	0	0	0	0	0	0	0	0	0	0	0	0

Table 168. OTG_HS register map and reset values (continued)

Offset	Register	31	30	29	28	27	26	25	24	23	22	21	20	19	18	17	16	15	14	13	12	11	10	9	8	7	6	5	4	3	2	1	0					
0x5C4	OTG_HS_HC DMA6	DMAADDR																																				
	Reset value	0	0	0	0	0	0	0	0	0	0	0	0	0	0	0	0	0	0	0	0	0	0	0	0	0	0	0	0	0	0	0	0	0				
0x5E4	OTG_HS_HC DMA7	DMAADDR																																				
	Reset value	0	0	0	0	0	0	0	0	0	0	0	0	0	0	0	0	0	0	0	0	0	0	0	0	0	0	0	0	0	0	0	0	0				
0x604	OTG_HS_HC DMA8	DMAADDR																																				
	Reset value	0	0	0	0	0	0	0	0	0	0	0	0	0	0	0	0	0	0	0	0	0	0	0	0	0	0	0	0	0	0	0	0	0				
0x624	OTG_HS_HC DMA9	DMAADDR																																				
	Reset value	0	0	0	0	0	0	0	0	0	0	0	0	0	0	0	0	0	0	0	0	0	0	0	0	0	0	0	0	0	0	0	0	0				
0x644	OTG_HS_HC DMA10	DMAADDR																																				
	Reset value	0	0	0	0	0	0	0	0	0	0	0	0	0	0	0	0	0	0	0	0	0	0	0	0	0	0	0	0	0	0	0	0	0				
0x664	OTG_HS_HC DMA11	DMAADDR																																				
	Reset value	0	0	0	0	0	0	0	0	0	0	0	0	0	0	0	0	0	0	0	0	0	0	0	0	0	0	0	0	0	0	0	0	0				
0x800	OTG_HS_DCFG	Reserved							PERSCHIVL	Reserved	Reserved											PFIVL	DAD						Reserved	NZLSOHSK	DSPD							
	Reset value							1	0																													
0x804	OTG_HS_DCTL	Reserved																				POPRGDNE	CGONAK	SGONAK	CGINAK	SGINAK	TCTL				GONSTS	GINSTS	SDIS	RWUSIG				
	Reset value																																					
0x808	OTG_HS_DSTS	Reserved											FNSOF											Reserved					EERR	ENUMSPD	SUSPSTS							
	Reset value																																					
0x810	OTG_HS_DIEPMSK	Reserved																			NAKMI	Reserved						TXFURM	Reserved	INEPNEM	INEPNMM	ITTXFEMSK	TOM	AHBERRM	EPDM	XFRM		
	Reset value																																					
0x814	OTG_HS_DOEPMSK	Reserved																			NYETMSK	NAKMSK	BERRM	Reserved						OPEM	Reserved	B2BSTUP	STSPHSRXM	OTEPDM	STUPM	AHBERRM	EPDM	XFRM
	Reset value																																					
0x818	OTG_HS_DAINT	OEPINT																IEPINT																				
	Reset value	0	0	0	0	0	0	0	0	0	0	0	0	0	0	0	0	0	0	0	0	0	0	0	0	0	0	0	0	0	0	0	0					
0x81C	OTG_HS_DAINTMSK	OEPM																IEPM																				
	Reset value	0	0	0	0	0	0	0	0	0	0	0	0	0	0	0	0	0	0	0	0	0	0	0	0	0	0	0	0	0	0	0	0	0				
0x828	OTG_HS_DVBUSDIS	Reserved																VBUSDT																				
	Reset value																																					



Table 168. OTG_HS register map and reset values (continued)

Offset	Register	31	30	29	28	27	26	25	24	23	22	21	20	19	18	17	16	15	14	13	12	11	10	9	8	7	6	5	4	3	2	1	0																
0x82C	OTG_HS_DVB USPULSE	Reserved																		DVBUSP																													
	Reset value																			0	1	0	1	1	0	1	1	1	0	0	0	0																	
0x830	OTG_HS_DTH RCTL	Reserved				ARPEN	Reserved	RXTHRLN								RXTHREN	Reserved				TXTHRLN								ISOHREN	NONISOHREN																			
	Reset value					0		0	0	0	0	0	0	0	0	0	0	0	0	0	0	0	0	0	0	0	0	0	0	0	0	0	0	0	0														
0x834	OTG_HS_DIE PEMPMSK	Reserved																		INEPTXFEM																													
	Reset value																			0	0	0	0	0	0	0	0	0	0	0	0	0	0	0	0	0	0	0	0	0	0	0	0	0	0	0	0	0	0
0x838	OTG_HS_DEA CHINT	Reserved														Reserved																																	
	Reset value															0																																	
0x83C	OTG_HS_DEA CHINTMSK	Reserved														Reserved																																	
	Reset value															0																																	
0x844	OTG_HS_DIE PEACHMSK1	Reserved														NAKM	Reserve a		BIM	TXFURM	Reserved	INEPNEM	INEPNMM	ITTXFEMSK	TOM	AHBERRM	EPDM	XFRM																					
	Reset value															0			0	0		0	0	0	0	0	0	0	0	0																			
0x884	OTG_HS_DO EPEACHMSK 1	Reserved														NYETM	NAKM	BERRM	Reserved	BIM	TXFURM	Reserved	INEPNEM	INEPNMM	ITTXFEMSK	TOM	AHBERRM	EPDM	XFRM																				
	Reset value															0	0	0	0	0	0	0	0	0	0	0	0	0	0	0	0	0	0	0	0														
0x900	OTG_HS_DIE PCTL0	EPENA	EPDIS	SODDFRM	SDOPID/SEVNFRM	SNAK	CNAK	TXFNUM				Stall	Reserved	EPTYP	NAKSTS	EONUM/DPID	USBAEP	Reserved				MPSIZ																											
	Reset value	0	0	0	0	0	0	0	0	0	0	0	0	0	0	0	0	0	0	0	0	0	0	0	0	0	0	0	0	0	0	0	0																
0x918	OTG_HS_DTX FSTS0	Reserved																		INEPTFSAV																													
	Reset value																			0	0	0	0	0	0	0	0	0	0	0	0	0	0	0	0	0	0	0	0	0	0	0	0	0	0	0	0	0	0
0x920	OTG_HS_DIE PCTL1	EPENA	EPDIS	SODDFRM	SDOPID/SEVNFRM	SNAK	CNAK	TXFNUM				Stall	Reserved	EPTYP	NAKSTS	EONUM/DPID	USBAEP	Reserved				MPSIZ																											
	Reset value	0	0	0	0	0	0	0	0	0	0	0	0	0	0	0	0	0	0	0	0	0	0	0	0	0	0	0	0	0	0	0	0																
0x938	OTG_HS_DTX FSTS1	Reserved																		INEPTFSAV																													
	Reset value																			0	0	0	0	0	0	0	0	0	0	0	0	0	0	0	0	0	0	0	0	0	0	0	0	0	0	0	0	0	0

Table 168. OTG_HS register map and reset values (continued)

Offset	Register	31	30	29	28	27	26	25	24	23	22	21	20	19	18	17	16	15	14	13	12	11	10	9	8	7	6	5	4	3	2	1	0				
0x940	OTG_HS_DIE_PCTL2	EPENA	EPDIS	SODDFRM	SD0PID/SEVNFIRM	SNAK	CNAK	TXFNUM				Stall	Reserved	EPTYP	NAKSTS	EONUM/DPID	USBAEP	Reserved					MPSIZ														
	Reset value	0	0	0	0	0	0	0	0	0	0	0	0		0	0	0	0	0						0	0	0	0	0	0	0	0	0	0	0	0	
0x958	OTG_HS_DTX_FSTS2	Reserved															INEPTFSAV																				
	Reset value																0	0	0	0	0	0	0	1	0	0	0	0	0	0	0	0	0	0	0	0	0
0x960	OTG_HS_DIE_PCTL3	EPENA	EPDIS	SODDFRM	SD0PID/SEVNFIRM	SNAK	CNAK	TXFNUM				Stall	Reserved	EPTYP	NAKSTS	EONUM/DPID	USBAEP	Reserved					MPSIZ														
	Reset value	0	0	0	0	0	0	0	0	0	0	0	0		0	0	0	0	0						0	0	0	0	0	0	0	0	0	0	0		
0x978	OTG_HS_DTX_FSTS3	Reserved															INEPTFSAV																				
	Reset value																0	0	0	0	0	0	0	1	0	0	0	0	0	0	0	0	0	0	0	0	0
0x980	OTG_HS_DIE_PCTL4	EPENA	EPDIS	SODDFRM	SD0PID/SEVNFIRM	SNAK	CNAK	TXFNUM				Stall	Reserved	EPTYP	NAKSTS	EONUM/DPID	USBAEP	Reserved					MPSIZ														
	Reset value	0	0	0	0	0	0	0	0	0	0	0	0		0	0	0	0	0						0	0	0	0	0	0	0	0	0	0	0		
0x9A0	OTG_HS_DIE_PCTL5	EPENA	EPDIS	SODDFRM	SD0PID/SEVNFIRM	SNAK	CNAK	TXFNUM				STALL	Reserved	EPTYP	NAKSTS	EONUM/DPID	USBAEP	Reserved					MPSIZ														
	Reset value	0	0	0	0	0	0	0	0	0	0	0	0		0	0	0	0	0						0	0	0	0	0	0	0	0	0	0	0		
0x9C0	OTG_HS_DIE_PCTL6	EPENA	EPDIS	SODDFRM	SD0PID/SEVNFIRM	SNAK	CNAK	TXFNUM				STALL	Reserved	EPTYP	NAKSTS	EONUM/DPID	USBAEP	Reserved					MPSIZ														
	Reset value	0	0	0	0	0	0	0	0	0	0	0	0		0	0	0	0	0						0	0	0	0	0	0	0	0	0	0	0		
0x9E0	OTG_HS_DIE_PCTL7	EPENA	EPDIS	SODDFRM	SD0PID/SEVNFIRM	SNAK	CNAK	TXFNUM				STALL	Reserved	EPTYP	NAKSTS	EONUM/DPID	USBAEP	Reserved					MPSIZ														
	Reset value	0	0	0	0	0	0	0	0	0	0	0	0		0	0	0	0	0						0	0	0	0	0	0	0	0	0	0	0		
0xB00	OTG_HS_DO_EPCTL0	EPENA	EPDIS	Reserved	SNAK	CNAK	Reserved					STALL	SNPM	EPTYP	NAKSTS	Reserved	USBAEP	Reserved										MPSIZ									
	Reset value	0	0		0	0						0	0	0	0	0	1											0									



Table 168. OTG_HS register map and reset values (continued)

Offset	Register	31	30	29	28	27	26	25	24	23	22	21	20	19	18	17	16	15	14	13	12	11	10	9	8	7	6	5	4	3	2	1	0																
0xB20	OTG_HS_DO EPCTL1	EPENA	EPDIS	SODDFRM	SD0PID/SEVNFIRM	SNAK	CNAK	Reserved					STALL	SNPM	EPTYP		NAKSTS	EONUM/DPID	USBAEP	Reserved					MPSIZ																								
	Reset value	0	0	0	0	0	0						0	0	0	0	0	0	0	0						0	0	0	0	0	0	0	0	0	0	0	0												
0xB40	OTG_HS_DO EPCTL2	EPENA	EPDIS	SODDFRM	SD0PID/SEVNFIRM	SNAK	CNAK	Reserved					Stall	SNPM	EPTYP		NAKSTS	EONUM/DPID	USBAEP	Reserved					MPSIZ																								
	Reset value	0	0	0	0	0	0						0	0	0	0	0	0	0	0						0	0	0	0	0	0	0	0	0	0	0	0												
0xB60	OTG_HS_DO EPCTL3	EPENA	EPDIS	SODDFRM	SD0PID/SEVNFIRM	SNAK	CNAK	Reserved					Stall	SNPM	EPTYP		NAKSTS	EONUM/DPID	USBAEP	Reserved					MPSIZ																								
	Reset value	0	0	0	0	0	0						0	0	0	0	0	0	0	0						0	0	0	0	0	0	0	0	0	0	0	0												
0x908	OTG_HS_DIE PINT0	Reserved																		NAK	Reserved		PKTDRPSTS		Reserved																								
	Reset value																			0			0		0	0	0	0	0	0	0	0	0	0	0	0	0	0	0	0	0	0	0	0	0	0	0		
0x928	OTG_HS_DIE PINT1	Reserved																		NAK	Reserved		PKTDRPSTS		Reserved																								
	Reset value																			0			0		0	0	0	0	0	0	0	0	0	0	0	0	0	0	0	0	0	0	0	0	0	0	0	0	0
0x948	OTG_HS_DIE PINT2	Reserved																		NAK	BERR	PKTDRPSTS		Reserved																									
	Reset value																			0	0	0		0	0	0	0	0	0	0	0	0	0	0	0	0	0	0	0	0	0	0	0	0	0	0	0	0	0
0x968	OTG_HS_DIE PINT3	Reserved																		NAK	Reserved		PKTDRPSTS		Reserved																								
	Reset value																			0			0		0	0	0	0	0	0	0	0	0	0	0	0	0	0	0	0	0	0	0	0	0	0	0	0	0
0x988	OTG_HS_DIE PINT4	Reserved																		NAK	Reserved		PKTDRPSTS		Reserved																								
	Reset value																			0			0		0	0	0	0	0	0	0	0	0	0	0	0	0	0	0	0	0	0	0	0	0	0	0	0	0

Table 168. OTG_HS register map and reset values (continued)

Offset	Register	31	30	29	28	27	26	25	24	23	22	21	20	19	18	17	16	15	14	13	12	11	10	9	8	7	6	5	4	3	2	1	0				
0x9A8	OTG_HS_DIE_PINT5	Reserved																			NAK	Reserved	Reserved	TXFIFOUDRN	TXFE	INEPNE	INEPNM	ITTXFE	TOC	AHBERR	EPDISD	XFRC					
	Reset value																				0	0	0	0	1	0	0	0	0	0	0	0					
0x9C8	OTG_HS_DIE_PINT6	Reserved																			NAK	Reserved	Reserved	TXFIFOUDRN	TXFE	INEPNE	INEPNM	ITTXFE	TOC	AHBERR	EPDISD	XFRC					
	Reset value																				0	0	0	0	1	0	0	0	0	0	0	0					
0x9E8	OTG_HS_DIE_PINT7	Reserved																			NAK	Reserved	Reserved	TXFIFOUDRN	TXFE	INEPNE	INEPNM	ITTXFE	TOC	AHBERR	EPDISD	XFRC					
	Reset value																				0	0	0	0	1	0	0	0	0	0	0	0					
0xB08	OTG_HS_DO_EPINT0	Reserved											NYET	NAK	BERR	Reserved	Reserved	OUTPKTERR	Reserved	B2BSTUP	Reserved	OTEPDIS	STUP	AHBERR	EPDISD	XFRC											
	Reset value												0	0	0	0	0	0	0	0	0	0	0	0	0	0											
0xB28	OTG_HS_DO_EPINT1	Reserved											NYET	NAK	BERR	Reserved	Reserved	OUTPKTERR	Reserved	B2BSTUP	Reserved	OTEPDIS	STUP	AHBERR	EPDISD	XFRC											
	Reset value												0	0	0	0	0	0	0	0	0	0	0	0	0	0											
0xB48	OTG_HS_DO_EPINT2	Reserved											NYET	NAK	BERR	Reserved	Reserved	OUTPKTERR	Reserved	B2BSTUP	Reserved	OTEPDIS	STUP	AHBERR	EPDISD	XFRC											
	Reset value												0	0	0	0	0	0	0	0	0	0	0	0	0	0											
0xB68	OTG_HS_DO_EPINT3	Reserved											NYET	NAK	BERR	Reserved	Reserved	OUTPKTERR	Reserved	B2BSTUP	Reserved	OTEPDIS	STUP	AHBERR	EPDISD	XFRC											
	Reset value												0	0	0	0	0	0	0	0	0	0	0	0	0	0	0										
0xB88	OTG_HS_DO_EPINT4	Reserved											NYET	NAK	BERR	Reserved	Reserved	OUTPKTERR	Reserved	B2BSTUP	Reserved	OTEPDIS	STUP	AHBERR	EPDISD	XFRC											
	Reset value												0	0	0	0	0	0	0	0	0	0	0	0	0	0	0										
0xBA8	OTG_HS_DO_EPINT5	Reserved											NYET	NAK	BERR	Reserved	Reserved	OUTPKTERR	Reserved	B2BSTUP	Reserved	OTEPDIS	STUP	AHBERR	EPDISD	XFRC											
	Reset value												0	0	0	0	0	0	0	0	0	0	0	0	0	0	0										



Table 168. OTG_HS register map and reset values (continued)

Offset	Register	31	30	29	28	27	26	25	24	23	22	21	20	19	18	17	16	15	14	13	12	11	10	9	8	7	6	5	4	3	2	1	0	
0xBC8	OTG_HS_DO EPINT6	Reserved																		NYET	NAK	BERR	Reserved			OUTPKTERR	Reserved	B2BSTUP	Reserved	OTEPDIS	STUP	AHBERR	EPDISD	XFRC
	Reset value																			0	0	0				0		0		0	0	0	0	0
0xBE8	OTG_HS_DO EPINT7	Reserved																		NYET	NAK	BERR	Reserved			OUTPKTERR	Reserved	B2BSTUP	Reserved	OTEPDIS	STUP	AHBERR	EPDISD	XFRC
	Reset value																			0	0	0				0		0		0	0	0	0	0
0x910	OTG_HS_DIE PTSIZ0	Reserved												PKT CNT		Reserved										XFRSIZ								
	Reset value													0	0											0	0	0	0	0	0	0		
0x930	OTG_HS_DIE PTSIZ1	Reserved	MCNT	PKTCNT										XFRSIZ																				
	Reset value	0	0	0	0	0	0	0	0	0	0	0	0	0	0	0	0	0	0	0	0	0	0	0	0	0	0	0	0	0	0	0	0	
0x934	OTG_HS_DIE PDMA1	DMAADDR																																
	Reset value	0	0	0	0	0	0	0	0	0	0	0	0	0	0	0	0	0	0	0	0	0	0	0	0	0	0	0	0	0	0	0	0	
0x93C	OTG_HS_DIE PDMAB1	DMABADDR																																
	Reset value	0	0	0	0	0	0	0	0	0	0	0	0	0	0	0	0	0	0	0	0	0	0	0	0	0	0	0	0	0	0	0	0	
0x950	OTG_HS_DIE PTSIZ2	Reserved	MCNT	PKTCNT										XFRSIZ																				
	Reset value	0	0	0	0	0	0	0	0	0	0	0	0	0	0	0	0	0	0	0	0	0	0	0	0	0	0	0	0	0	0	0	0	
0x954	OTG_HS_DIE PDMA2	DMAADDR																																
	Reset value	0	0	0	0	0	0	0	0	0	0	0	0	0	0	0	0	0	0	0	0	0	0	0	0	0	0	0	0	0	0	0	0	
0x95C	OTG_HS_DIE PDMAB2	DMABADDR																																
	Reset value	0	0	0	0	0	0	0	0	0	0	0	0	0	0	0	0	0	0	0	0	0	0	0	0	0	0	0	0	0	0	0	0	
0x970	OTG_HS_DIE PTSIZ3	Reserved	MCNT	PKTCNT										XFRSIZ																				
	Reset value	0	0	0	0	0	0	0	0	0	0	0	0	0	0	0	0	0	0	0	0	0	0	0	0	0	0	0	0	0	0	0	0	
0x974	OTG_HS_DIE PDMA3	DMAADDR																																
	Reset value	0	0	0	0	0	0	0	0	0	0	0	0	0	0	0	0	0	0	0	0	0	0	0	0	0	0	0	0	0	0	0	0	
0x97C	OTG_HS_DIE PDMAB3	DMABADDR																																
	Reset value	0	0	0	0	0	0	0	0	0	0	0	0	0	0	0	0	0	0	0	0	0	0	0	0	0	0	0	0	0	0	0	0	
0xB10	OTG_HS_DO EPTSIZ0	Reserved	STUPCNT	Reserved										PKTCNT		Reserved										XFRSIZ								
	Reset value	0	0											0											0	0	0							
0xB30	OTG_HS_DO EPTSIZ1	Reserved	RXDPID/STUPCNT	PKTCNT										XFRSIZ																				
	Reset value	0	0	0	0	0	0	0	0	0	0	0	0	0	0	0	0	0	0	0	0	0	0	0	0	0	0	0	0	0	0	0		
0xB34	OTG_HS_DO EPDMA1	DMAADDR																																
	Reset value	0	0	0	0	0	0	0	0	0	0	0	0	0	0	0	0	0	0	0	0	0	0	0	0	0	0	0	0	0	0	0	0	



Table 168. OTG_HS register map and reset values (continued)

Offset	Register	31	30	29	28	27	26	25	24	23	22	21	20	19	18	17	16	15	14	13	12	11	10	9	8	7	6	5	4	3	2	1	0	
0xB3C	OTG_HS_DO EPDMAB1	DMABADDR																																
	Reset value	0	0	0	0	0	0	0	0	0	0	0	0	0	0	0	0	0	0	0	0	0	0	0	0	0	0	0	0	0	0	0	0	0
0xB50	OTG_HS_DO EPTSIZ2	Reserved	RXDPID/ STUPCNT	PKTCNT												XFRSIZ																		
	Reset value			0	0	0	0	0	0	0	0	0	0	0	0	0	0	0	0	0	0	0	0	0	0	0	0	0	0	0	0	0	0	0
0xB54	OTG_HS_DO EPDMA2	DMAADDR																																
	Reset value	0	0	0	0	0	0	0	0	0	0	0	0	0	0	0	0	0	0	0	0	0	0	0	0	0	0	0	0	0	0	0	0	
0xB5C	OTG_HS_DO EPDMAB2	DMABADDR																																
	Reset value	0	0	0	0	0	0	0	0	0	0	0	0	0	0	0	0	0	0	0	0	0	0	0	0	0	0	0	0	0	0	0	0	
0xB70	OTG_HS_DO EPTSIZ3	Reserved	RXDPID/ STUPCNT	PKTCNT												XFRSIZ																		
	Reset value			0	0	0	0	0	0	0	0	0	0	0	0	0	0	0	0	0	0	0	0	0	0	0	0	0	0	0	0	0	0	
0xB74	OTG_HS_DO EPDMA3	DMAADDR																																
	Reset value	0	0	0	0	0	0	0	0	0	0	0	0	0	0	0	0	0	0	0	0	0	0	0	0	0	0	0	0	0	0	0	0	
0xB7C	OTG_HS_DO EPDMAB3	DMABADDR																																
	Reset value	0	0	0	0	0	0	0	0	0	0	0	0	0	0	0	0	0	0	0	0	0	0	0	0	0	0	0	0	0	0	0	0	
0xE00	OTG_HS_PC GCCTL	Reserved																												PHYSUSP	Reserved		GATEHCLK	STPPCLK
	Reset value																																	

Refer to [Section 2.3: Memory map](#) for the register boundary addresses.

30.13 OTG_HS programming model

30.13.1 Core initialization

The application must perform the core initialization sequence. If the cable is connected during power-up, the current mode of operation bit in the Core interrupt register (CMOD bit in OTG_HS_GINTSTS) reflects the mode. The OTG_HS controller enters host mode when an “A” plug is connected or peripheral mode when a “B” plug is connected.

This section explains the initialization of the OTG_HS controller after power-on. The application must follow the initialization sequence irrespective of host or peripheral mode operation. All core global registers are initialized according to the core’s configuration:

1. Program the following fields in the Global AHB configuration (OTG_HS_GAHBCFG) register:
 - DMA mode bit
 - AHB burst length field
 - Global interrupt mask bit GINT = 1
 - RxFIFO nonempty (RXFLVL bit in OTG_HS_GINTSTS)
 - Periodic TxFIFO empty level
2. Program the following fields in OTG_HS_GUSBCFG register:
 - HNP capable bit
 - SRP capable bit
 - FS timeout calibration field
 - USB turnaround time field
3. The software must unmask the following bits in the GINTMSK register:
 - OTG interrupt mask
 - Mode mismatch interrupt mask
4. The software can read the CMOD bit in OTG_HS_GINTSTS to determine whether the OTG_HS controller is operating in host or peripheral mode.

30.13.2 Host initialization

To initialize the core as host, the application must perform the following steps:

1. Program the HPRTINT in GINTMSK to unmask
2. Program the OTG_HS_HCFG register to select full-speed host
3. Program the PPWR bit in OTG_HS_HPRT to 1. This drives V_{BUS} on the USB.
4. Wait for the PCDET interrupt in OTG_HS_HPRT0. This indicates that a device is connecting to the port.
5. Program the PRST bit in OTG_HS_HPRT to 1. This starts the reset process.
6. Wait at least 10 ms for the reset process to complete.
7. Program the PRST bit in OTG_HS_HPRT to 0.
8. Wait for the PENCHNG interrupt in OTG_HS_HPRT.
9. Read the PSPD bit in OTG_HS_HPRT to get the enumerated speed.
10. Program the HFIR register with a value corresponding to the selected PHY clock 1.
11. Program the FLSPCS field in OTG_HS_HCFG register according to the speed of the detected device read in step 9. If FLSPCS has been changed, reset the port.
12. Program the OTG_HS_GRXFSIZ register to select the size of the receive FIFO.
13. Program the OTG_HS_GNPTXFSIZ register to select the size and the start address of the nonperiodic transmit FIFO for nonperiodic transactions.
14. Program the OTG_HS_HPTXFSIZ register to select the size and start address of the periodic transmit FIFO for periodic transactions.

To communicate with devices, the system software must initialize and enable at least one channel.

30.13.3 Device initialization

The application must perform the following steps to initialize the core as a device on power-up or after a mode change from host to device.

1. Program the following fields in the OTG_HS_DCFG register:
 - Device speed
 - Nonzero-length status OUT handshake
2. Program the OTG_HS_GINTMSK register to unmask the following interrupts:
 - USB reset
 - Enumeration done
 - Early suspend
 - USB suspend
 - SOF
3. Program the VBUSSEN bit in the OTG_HS_GCCFG register to enable V_{BUS} sensing in “B” peripheral mode and supply the 5 volts across the pull-up resistor on the DP line.
4. Wait for the USBRST interrupt in OTG_HS_GINTSTS. It indicates that a reset has been detected on the USB that lasts for about 10 ms on receiving this interrupt.

Wait for the ENUMDNE interrupt in OTG_HS_GINTSTS. This interrupt indicates the end of reset on the USB. On receiving this interrupt, the application must read the OTG_HS_DSTS register to determine the enumeration speed and perform the steps listed in [Endpoint initialization on enumeration completion on page 1215](#).

At this point, the device is ready to accept SOF packets and perform control transfers on control endpoint 0.

30.13.4 DMA mode

The OTG host uses the AHB master interface to fetch the transmit packet data (AHB to USB) and receive the data update (USB to AHB). The AHB master uses the programmed DMA address (HCDMAx register in host mode and DIEPDMAx/DOEPDMAx register in peripheral mode) to access the data buffers.

30.13.5 Host programming model

Channel initialization

The application must initialize one or more channels before it can communicate with connected devices. To initialize and enable a channel, the application must perform the following steps:

1. Program the GINTMSK register to unmask the following:
2. Channel interrupt
 - Nonperiodic transmit FIFO empty for OUT transactions (applicable for Slave mode that operates in pipelined transaction-level with the packet count field programmed with more than one).
 - Nonperiodic transmit FIFO half-empty for OUT transactions (applicable for Slave mode that operates in pipelined transaction-level with the packet count field programmed with more than one).
3. Program the OTG_HS_HAINTMSK register to unmask the selected channels' interrupts.
4. Program the OTG_HS_HCINTMSK register to unmask the transaction-related interrupts of interest given in the host channel interrupt register.
5. Program the selected channel's OTG_HS_HCTSIZx register with the total transfer size, in bytes, and the expected number of packets, including short packets. The application must program the PID field with the initial data PID (to be used on the first OUT transaction or to be expected from the first IN transaction).
6. Program the selected channels in the OTG_HS_HCSPLTx register(s) with the hub and port addresses (split transactions only).
7. Program the selected channels in the HCDMAx register(s) with the buffer start address.
8. Program the OTG_HS_HCCHARx register of the selected channel with the device's endpoint characteristics, such as type, speed, direction, and so forth. (The channel can be enabled by setting the channel enable bit to 1 only when the application is ready to transmit or receive any packet).

Halting a channel

The application can disable any channel by programming the OTG_HS_HCCHARx register with the CHDIS and CHENA bits set to 1. This enables the OTG_HS host to flush the posted requests (if any) and generates a channel halted interrupt. The application must wait for the CHH interrupt in OTG_HS_HCINTx before reallocating the channel for other transactions. The OTG_HS host does not interrupt the transaction that has already been started on the USB.

To disable a channel in DMA mode operation, the application does not need to check for space in the request queue. The OTG_HS host checks for space to write the disable request on the disabled channel's turn during arbitration. Meanwhile, all posted requests are dropped from the request queue when the CHDIS bit in HCCHARx is set to 1.

Before disabling a channel, the application must ensure that there is at least one free space available in the nonperiodic request queue (when disabling a nonperiodic channel) or the periodic request queue (when disabling a periodic channel). The application can simply flush the posted requests when the Request queue is full (before disabling the channel), by programming the OTG_HS_HCCHARx register with the CHDIS bit set to 1, and the CHENA bit cleared to 0.

The application is expected to disable a channel on any of the following conditions:

1. When an XFRC interrupt in OTG_HS_HCINTx is received during a nonperiodic IN transfer or high-bandwidth interrupt IN transfer (Slave mode only)
2. When an STALL, TXERR, BBERR or DTERR interrupt in OTG_HS_HCINTx is received for an IN or OUT channel (Slave mode only). For high-bandwidth interrupt INs in Slave mode, once the application has received a DTERR interrupt it must disable the

channel and wait for a channel halted interrupt. The application must be able to receive other interrupts (DTERR, NAK, Data, TXERR) for the same channel before receiving the halt.

3. When a DISCINT (Disconnect Device) interrupt in OTG_HS_GINTSTS is received. (The application is expected to disable all enabled channels)
4. When the application aborts a transfer before normal completion.

Ping protocol

When the OTG_HS host operates in high speed, the application must initiate the ping protocol when communicating with high-speed bulk or control (data and status stage) OUT endpoints.

The application must initiate the ping protocol when it receives a NAK/NYET/TXERR interrupt. When the HS_OTG host receives one of the above responses, it does not continue any transaction for a specific endpoint, drops all posted or fetched OUT requests (from the request queue), and flushes the corresponding data (from the transmit FIFO).

This is valid in slave mode only. In Slave mode, the application can send a ping token either by setting the DOPING bit in HCTSIZx before enabling the channel or by just writing the HCTSIZx register with the DOPING bit set when the channel is already enabled. This enables the HS_OTG host to write a ping request entry to the request queue. The application must wait for the response to the ping token (a NAK, ACK, or TXERR interrupt) before continuing the transaction or sending another ping token. The application can continue the data transaction only after receiving an ACK from the OUT endpoint for the requested ping. In DMA mode operation, the application does not need to set the DOPING bit in HCTSIZx for a NAK/NYET response in case of Bulk/Control OUT. The OTG_HS host automatically sets the DOPING bit in HCTSIZx, and issues the ping tokens for Bulk/Control OUT. The HS_OTG host continues sending ping tokens until it receives an ACK, and then switches automatically to the data transaction.

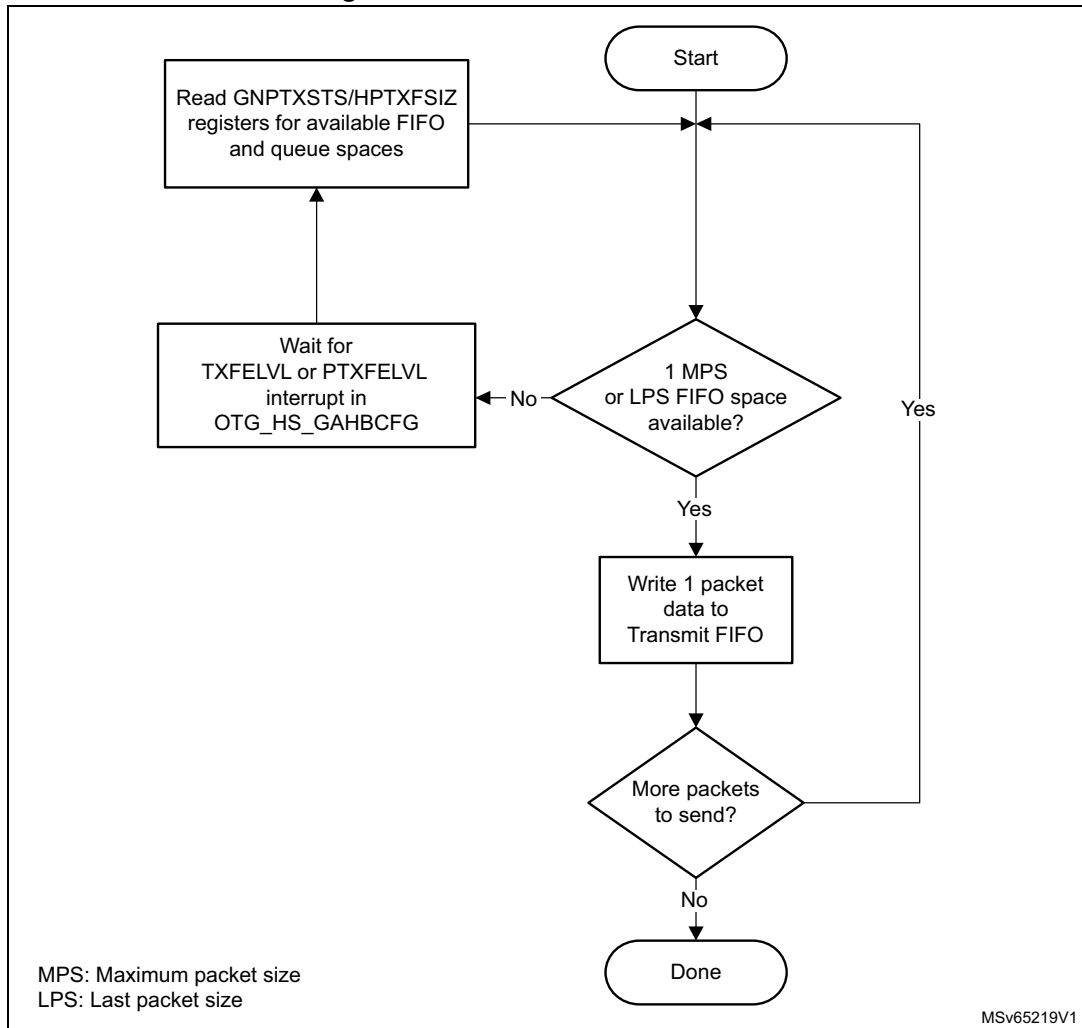
Operational model

The application must initialize a channel before communicating to the connected device. This section explains the sequence of operation to be performed for different types of USB transactions.

- **Writing the transmit FIFO**

The OTG_HS host automatically writes an entry (OUT request) to the periodic/nonperiodic request queue, along with the last word write of a packet. The application must ensure that at least one free space is available in the periodic/nonperiodic request queue before starting to write to the transmit FIFO. The application must always write to the transmit FIFO in words. If the packet size is non-word-aligned, the application must use padding. The OTG_HS host determines the actual packet size based on the programmed maximum packet size and transfer size.

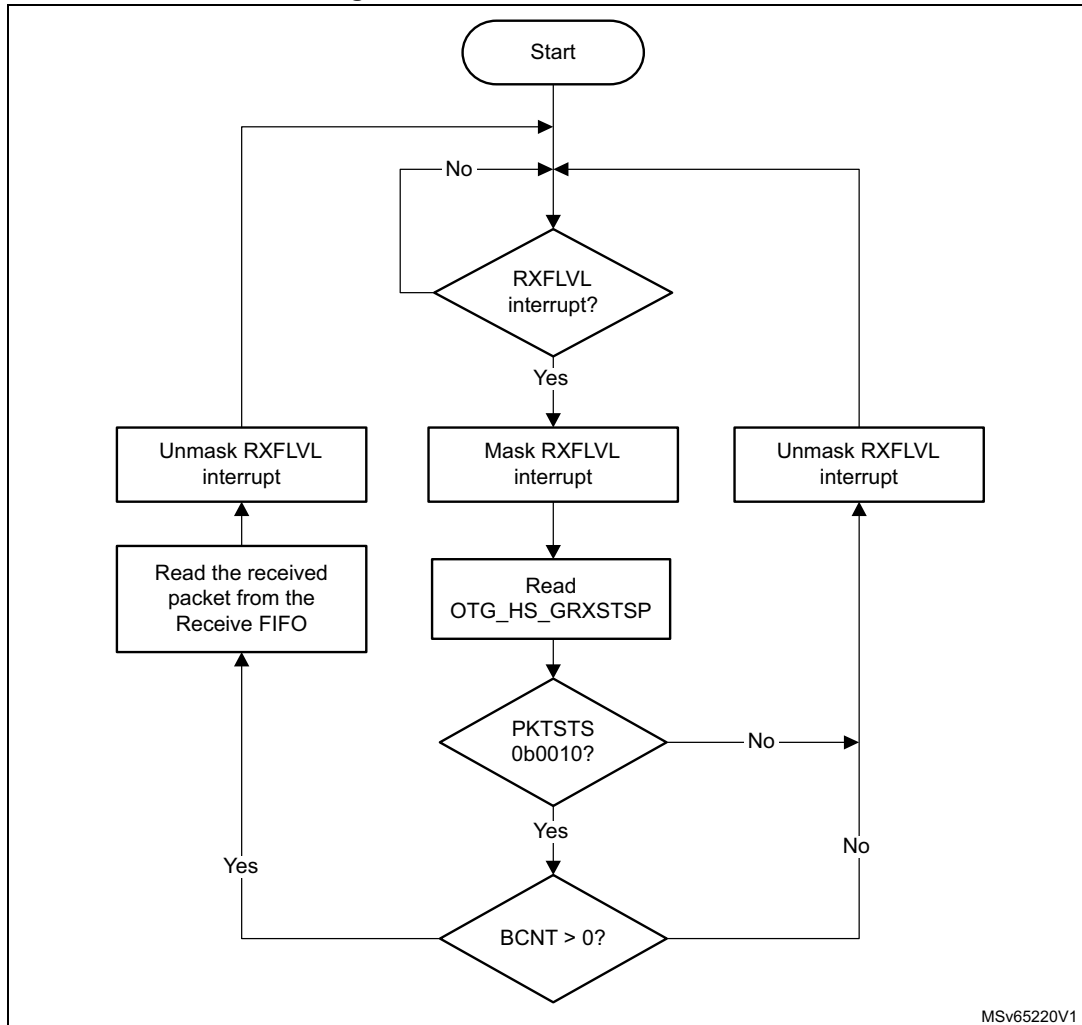
Figure 379. Transmit FIFO write task



- **Reading the receive FIFO**

The application must ignore all packet statuses other than IN data packet (bx0010).

Figure 380. Receive FIFO read task



MSv65220V1

- **Bulk and control OUT/SETUP transactions**

A typical bulk or control OUT/SETUP pipelined transaction-level operation is shown in [Figure 381](#). See channel 1 (ch_1). Two bulk OUT packets are transmitted. A control SETUP transaction operates in the same way but has only one packet. The assumptions are:

- The application is attempting to send two maximum-packet-size packets (transfer size = 1,024 bytes).
- The nonperiodic transmit FIFO can hold two packets (128 bytes for FS).
- The nonperiodic request queue depth = 4.

- **Normal bulk and control OUT/SETUP operations**

The sequence of operations for channel 1 is as follows:

- Initialize channel 1
- Write the first packet for channel 1

- c) Along with the last word write, the core writes an entry to the nonperiodic request queue
- d) As soon as the nonperiodic queue becomes nonempty, the core attempts to send an OUT token in the current frame
- e) Write the second (last) packet for channel 1
- f) The core generates the XFRC interrupt as soon as the last transaction is completed successfully
- g) In response to the XFRC interrupt, de-allocate the channel for other transfers
- h) Handling nonACK responses

Figure 381. Normal bulk/control OUT/SETUP and bulk/control IN transactions - DMA mode

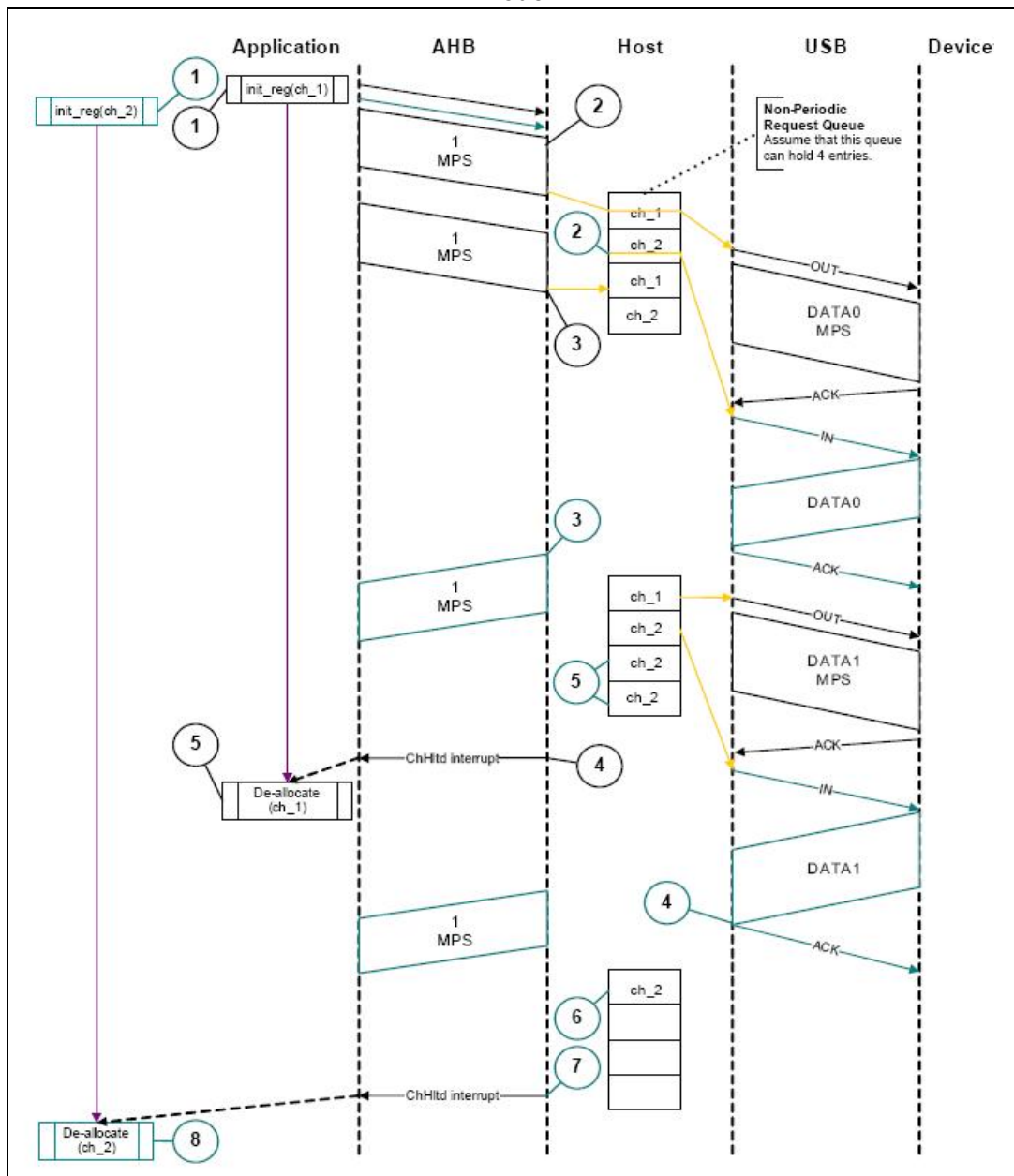
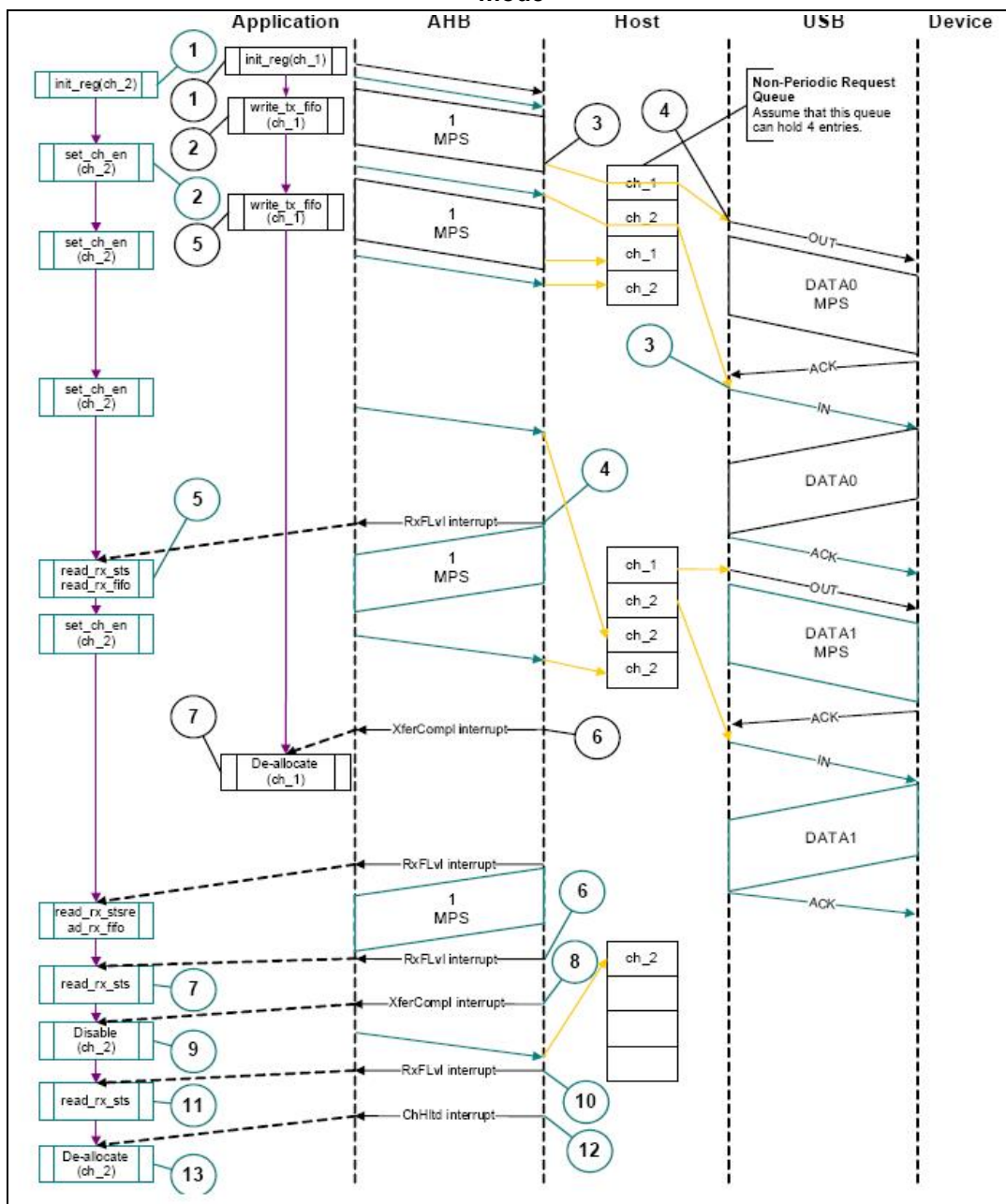


Figure 382. Normal bulk/control OUT/SETUP and bulk/control IN transactions - Slave mode



The channel-specific interrupt service routine for bulk and control OUT/SETUP transactions in Slave mode is shown in the following code samples.

- **Interrupt service routine for bulk/control OUT/SETUP and bulk/control IN transactions**

a) Bulk/Control OUT/SETUP

```

Unmask (NAK/TXERR/STALL/XFRC)
if (XFRC)
{
    Reset Error Count
}
    
```

```

    Mask ACK
    De-allocate Channel
  }
else if (STALL)
{
  Transfer Done = 1
  Unmask CHH
  Disable Channel
}
else if (NAK or TXERR )
{
  Rewind Buffer Pointers
  Unmask CHH
  Disable Channel
  if (TXERR)
  {
    Increment Error Count
    Unmask ACK
  }
  else
  {
    Reset Error Count
  }
}
else if (CHH)
{
  Mask CHH
  if (Transfer Done or (Error_count == 3))
  {
    De-allocate Channel
  }
  else
  {
    Re-initialize Channel
  }
}
else if (ACK)
{
  Reset Error Count
  Mask ACK
}

```

The application is expected to write the data packets into the transmit FIFO as and when the space is available in the transmit FIFO and the Request queue. The application can make use of the NPTXFE interrupt in OTG_HS_GINTSTS to find the transmit FIFO space.

b) Bulk/Control IN

```

Unmask (TXERR/XFRC/BBERR/STALL/DTERR)
if (XFRC)
{
  Reset Error Count
  Unmask CHH
  Disable Channel
}

```

```

    Reset Error Count
    Mask ACK
  }
else if (TXERR or BBERR or STALL)
{
  Unmask CHH
  Disable Channel
  if (TXERR)
  {
    Increment Error Count
    Unmask ACK
  }
}
else if (CHH)
{
  Mask CHH
  if (Transfer Done or (Error_count == 3))
  {
    De-allocate Channel
  }
  else
  {
    Re-initialize Channel
  }
}
else if (ACK)
{
  Reset Error Count
  Mask ACK
}
else if (DTERR)
{
  Reset Error Count
}

```

The application is expected to write the requests as and when the Request queue space is available and until the XFRC interrupt is received.

- **Bulk and control IN transactions**

A typical bulk or control IN pipelined transaction-level operation is shown in [Figure 383](#). See channel 2 (ch_2). The assumptions are:

- The application is attempting to receive two maximum-packet-size packets (transfer size = 1 024 bytes).
- The receive FIFO can contain at least one maximum-packet-size packet and two status words per packet (72 bytes for FS).
- The nonperiodic request queue depth = 4.

Figure 383. Bulk/control IN transactions - DMA mode

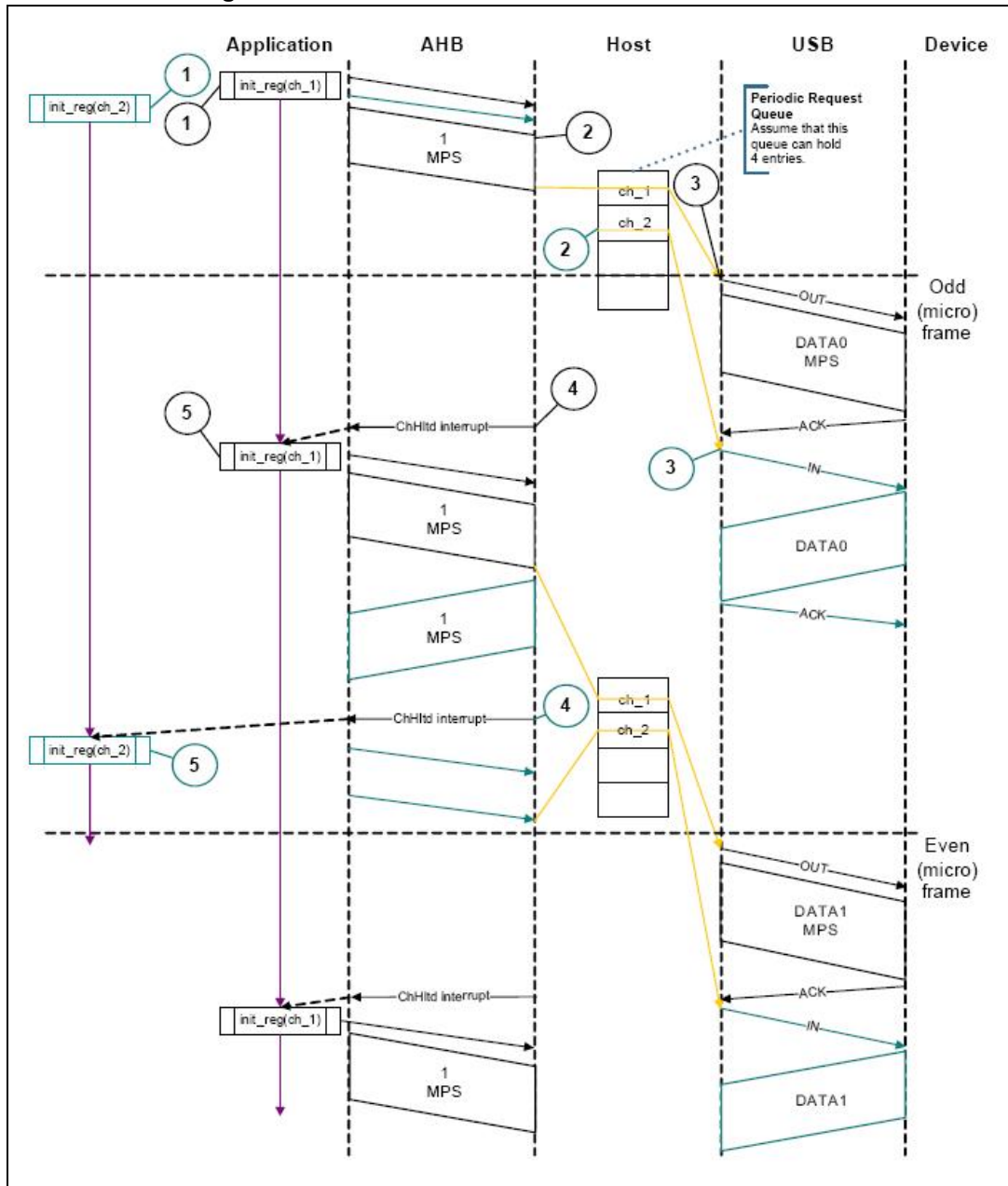
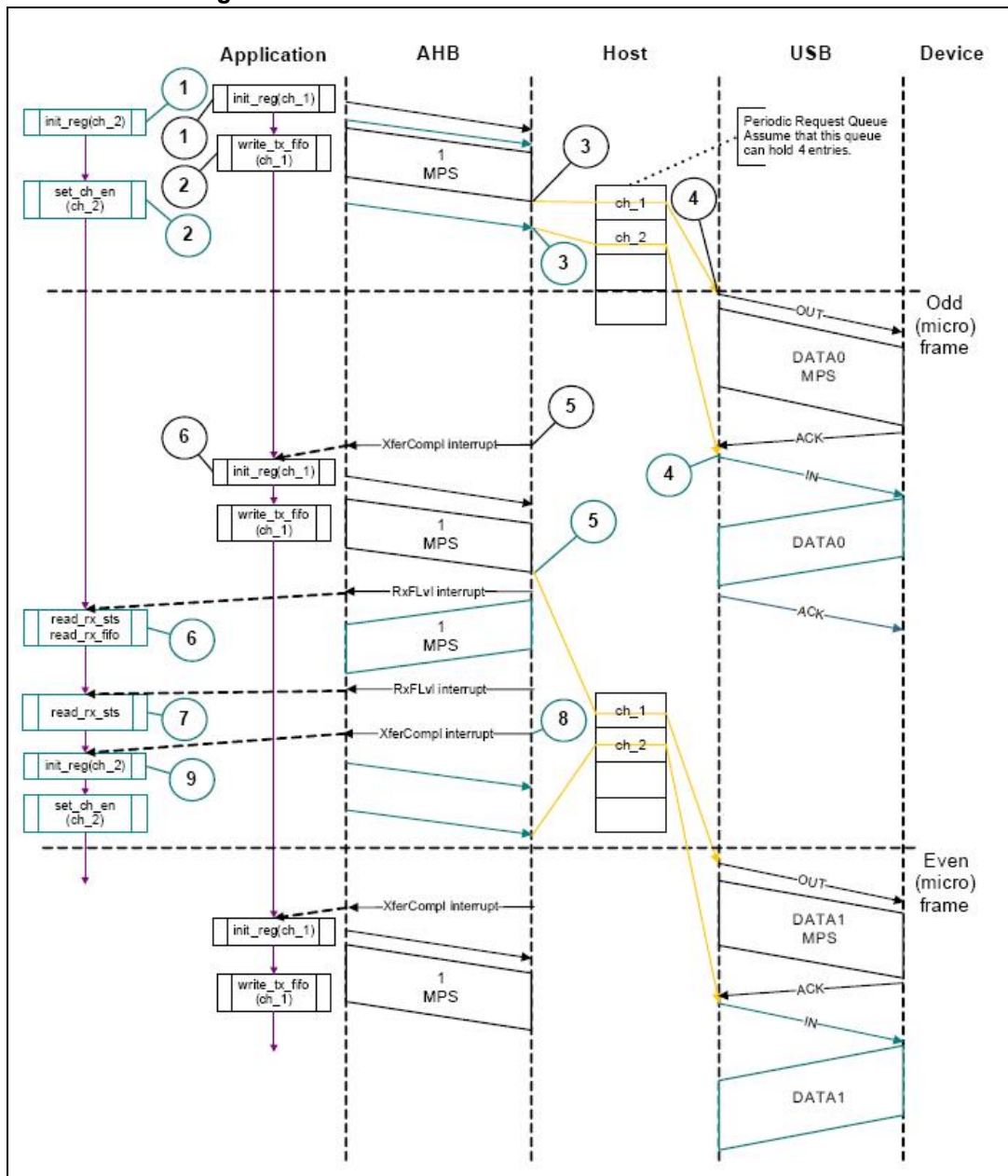


Figure 384. Bulk/control IN transactions - Slave mode



The sequence of operations is as follows:

- Initialize channel 2.
- Set the CHENA bit in HCCHAR2 to write an IN request to the nonperiodic request queue.
- The core attempts to send an IN token after completing the current OUT transaction.
- The core generates an RXFLVL interrupt as soon as the received packet is written to the receive FIFO.
- In response to the RXFLVL interrupt, mask the RXFLVL interrupt and read the received packet status to determine the number of bytes received, then read the

receive FIFO accordingly. Following this, unmask the RXFLVL interrupt.

- f) The core generates the RXFLVL interrupt for the transfer completion status entry in the receive FIFO.
 - g) The application must read and ignore the receive packet status when the receive packet status is not an IN data packet (PKTSTS in GRXSTSR \neq 0b0010).
 - h) The core generates the XFRC interrupt as soon as the receive packet status is read.
 - i) In response to the XFRC interrupt, disable the channel and stop writing the OTG_HS_HCCHAR2 register for further requests. The core writes a channel disable request to the nonperiodic request queue as soon as the OTG_HS_HCCHAR2 register is written.
 - j) The core generates the RXFLVL interrupt as soon as the halt status is written to the receive FIFO.
 - k) Read and ignore the receive packet status.
 - l) The core generates a CHH interrupt as soon as the halt status is popped from the receive FIFO.
 - m) In response to the CHH interrupt, de-allocate the channel for other transfers.
 - n) Handling nonACK responses
- **Control transactions in slave mode**
Setup, Data, and Status stages of a control transfer must be performed as three separate transfers. Setup-, Data- or Status-stage OUT transactions are performed similarly to the bulk OUT transactions explained previously. Data- or Status-stage IN transactions are performed similarly to the bulk IN transactions explained previously. For all three stages, the application is expected to set the EPTYP field in OTG_HS_HCCHAR1 to Control. During the Setup stage, the application is expected to set the PID field in OTG_HS_HCTSIZ1 to SETUP.
 - **Interrupt OUT transactions**
A typical interrupt OUT operation in Slave mode is shown in [Figure 385](#). The assumptions are:
 - The application is attempting to send one packet in every frame (up to 1 maximum packet size), starting with the odd frame (transfer size = 1 024 bytes)
 - The periodic transmit FIFO can hold one packet (1 KB)
 - Periodic request queue depth = 4
 The sequence of operations is as follows:
 - a) Initialize and enable channel 1. The application must set the ODDFRM bit in OTG_HS_HCCHAR1.
 - b) Write the first packet for channel 1. For a high-bandwidth interrupt transfer, the application must write the subsequent packets up to MCNT (maximum number of packets to be transmitted in the next frame times) before switching to another channel.
 - c) Along with the last word write of each packet, the OTG_HS host writes an entry to the periodic request queue.
 - d) The OTG_HS host attempts to send an OUT token in the next (odd) frame.
 - e) The OTG_HS host generates an XFRC interrupt as soon as the last packet is transmitted successfully.
 - f) In response to the XFRC interrupt, reinitialize the channel for the next transfer.

Figure 385. Normal interrupt OUT/IN transactions - DMA mode

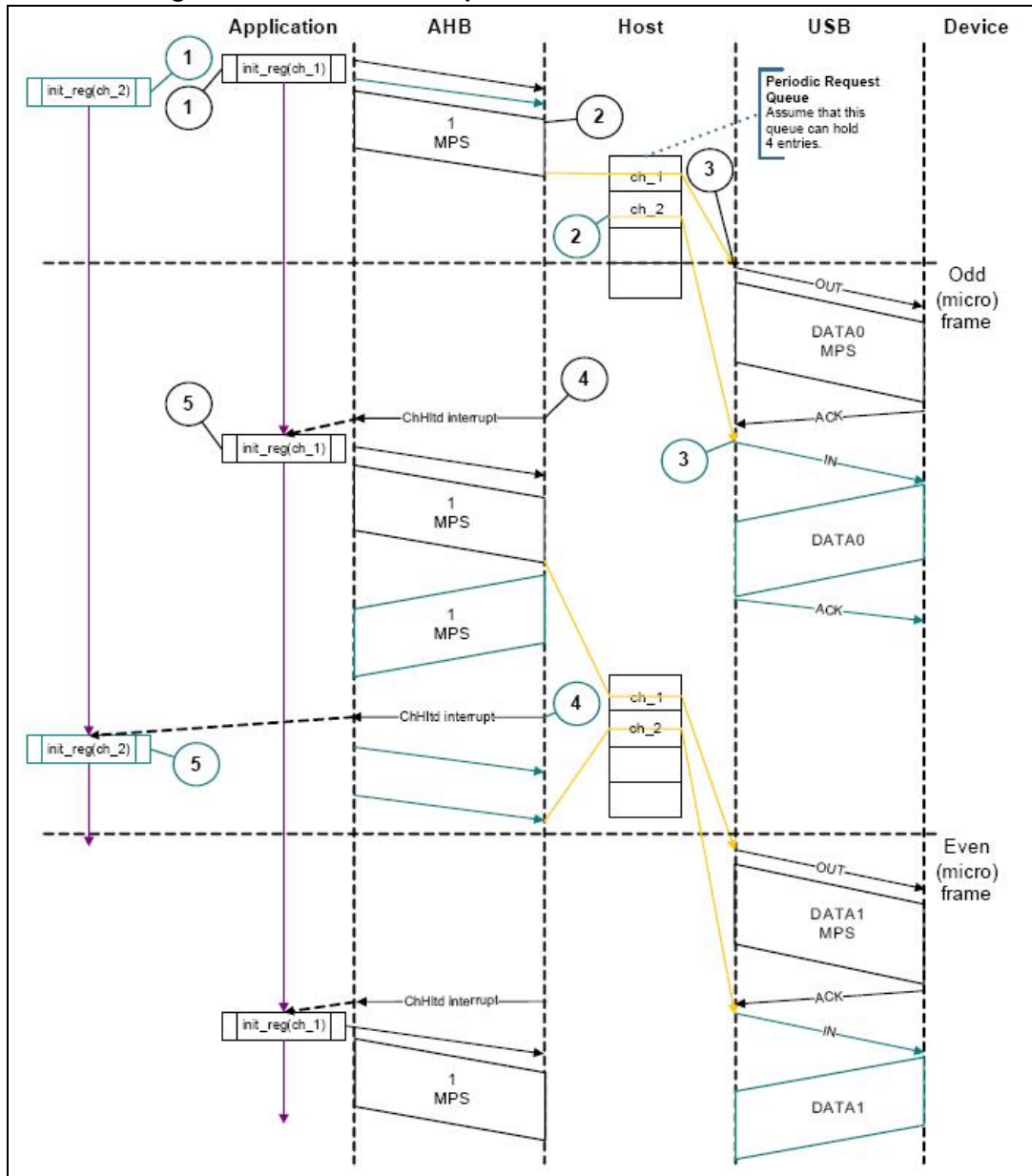
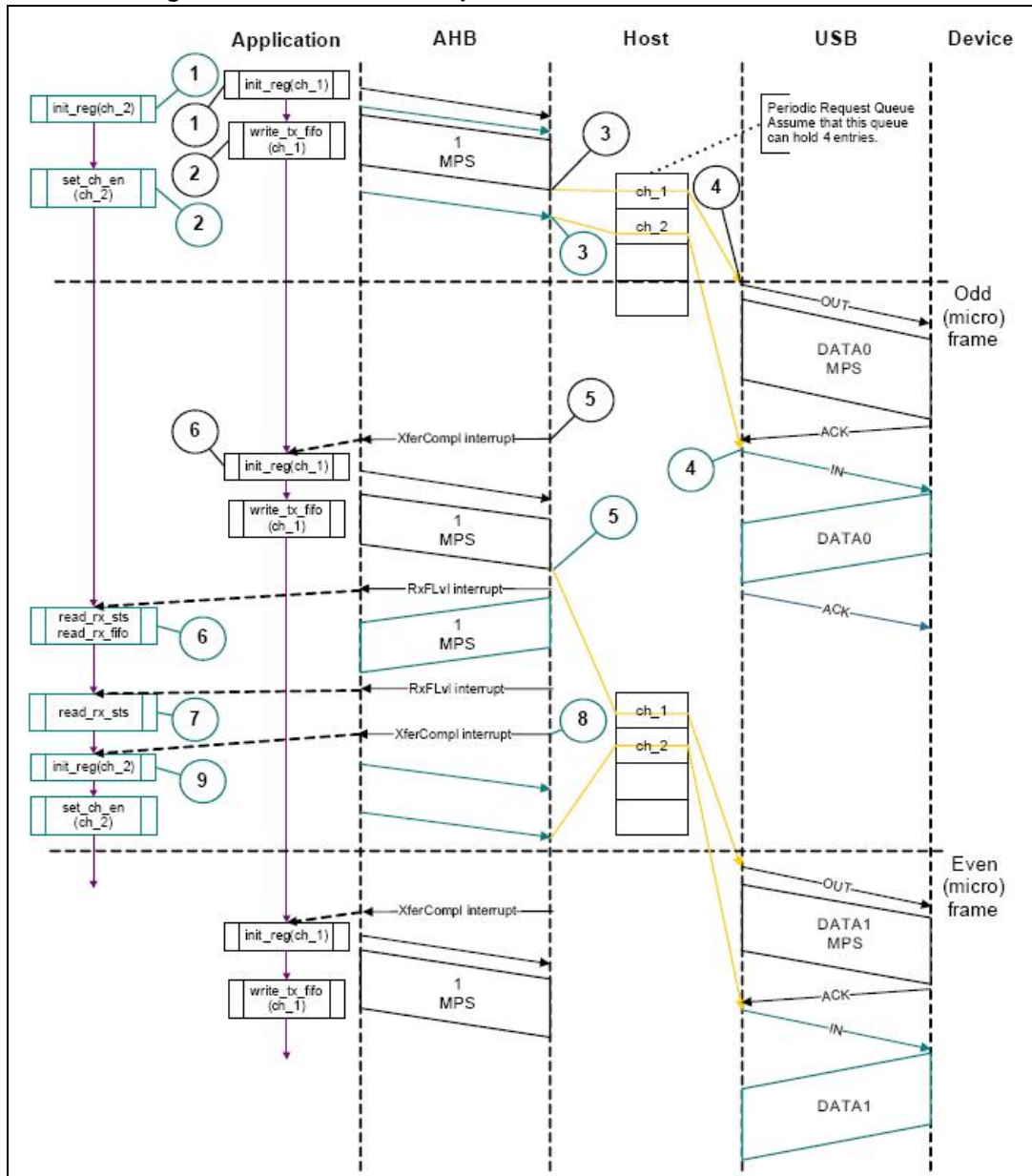


Figure 386. Normal interrupt OUT/IN transactions - Slave mode



• Interrupt service routine for interrupt OUT/IN transactions

a) Interrupt OUT

Unmask (NAK/TXERR/STALL/XFRC/FRMOR)

```

if (XFRC)
{
  Reset Error Count
  Mask ACK
  De-allocate Channel
}
else
  if (STALL or FRMOR)
  {

```

```

Mask ACK
Unmask CHH
Disable Channel
if (STALL)
{
Transfer Done = 1
}
}
else
if (NAK or TXERR)
{
Rewind Buffer Pointers
Reset Error Count
Mask ACK
Unmask CHH
Disable Channel
}
else
if (CHH)
{
Mask CHH
if (Transfer Done or (Error_count == 3))
{
De-allocate Channel
}
else
{
Re-initialize Channel (in next b_interval - 1 Frame)
}
}
else
if (ACK)
{
Reset Error Count
Mask ACK
}

```

The application is expected to write the data packets into the transmit FIFO when the space is available in the transmit FIFO and the Request queue up to the count specified in the MCNT field before switching to another channel. The application uses the NPTXFE interrupt in OTG_HS_GINTSTS to find the transmit FIFO space.

b) Interrupt IN

```

Unmask (NAK/TXERR/XFRC/BBERR/STALL/FRMOR/DTERR)
if (XFRC)
{
Reset Error Count
Mask ACK
if (OTG_HS_HCTSIZx.PKTCNT == 0)
{
De-allocate Channel
}
}
else
{

```

```

        Transfer Done = 1
        Unmask CHH
        Disable Channel
    }
}
else
    if (STALL or FRMOR or NAK or DTERR or BBERR)
    {
        Mask ACK
        Unmask CHH
        Disable Channel
        if (STALL or BBERR)
        {
            Reset Error Count
            Transfer Done = 1
        }
        else
            if (!FRMOR)
            {
                Reset Error Count
            }
    }
else
    if (TXERR)
    {
        Increment Error Count
        Unmask ACK
        Unmask CHH
        Disable Channel
    }
else
    if (CHH)
    {
        Mask CHH
        if (Transfer Done or (Error_count == 3))
        {
            De-allocate Channel
        }
        else
            Re-initialize Channel (in next b_interval - 1 /Frame)
    }
}
else
    if (ACK)
    {
        Reset Error Count
        Mask ACK
    }

```


}

The application is expected to write the requests for the same channel when the Request queue space is available up to the count specified in the MCNT field before switching to another channel (if any).

- **Interrupt IN transactions**

The assumptions are:

- The application is attempting to receive one packet (up to 1 maximum packet size) in every frame, starting with odd (transfer size = 1 024 bytes).
- The receive FIFO can hold at least one maximum-packet-size packet and two status words per packet (1 031 bytes).
- Periodic request queue depth = 4.

- **Normal interrupt IN operation**

The sequence of operations is as follows:

- a) Initialize channel 2. The application must set the ODDFRM bit in OTG_HS_HCCHAR2.
- b) Set the CHENA bit in OTG_HS_HCCHAR2 to write an IN request to the periodic request queue. For a high-bandwidth interrupt transfer, the application must write the OTG_HS_HCCHAR2 register MCNT (maximum number of expected packets in the next frame times) before switching to another channel.
- c) The OTG_HS host writes an IN request to the periodic request queue for each OTG_HS_HCCHAR2 register write with the CHENA bit set.
- d) The OTG_HS host attempts to send an IN token in the next (odd) frame.
- e) As soon as the IN packet is received and written to the receive FIFO, the OTG_HS host generates an RXFLVL interrupt.
- f) In response to the RXFLVL interrupt, read the received packet status to determine the number of bytes received, then read the receive FIFO accordingly. The application must mask the RXFLVL interrupt before reading the receive FIFO, and unmask after reading the entire packet.
- g) The core generates the RXFLVL interrupt for the transfer completion status entry in the receive FIFO. The application must read and ignore the receive packet status when the receive packet status is not an IN data packet (PKTSTS in GRXSTSR ≠ 0b0010).
- h) The core generates an XFRC interrupt as soon as the receive packet status is read.
- i) In response to the XFRC interrupt, read the PKTCNT field in OTG_HS_HCTSIZ2. If the PKTCNT bit in OTG_HS_HCTSIZ2 is not equal to 0, disable the channel before re-initializing the channel for the next transfer, if any). If PKTCNT bit in

OTG_HS_HCTSIZ2 = 0, reinitialize the channel for the next transfer. This time, the application must reset the ODDFRM bit in OTG_HS_HCCHAR2.

- **Isochronous OUT transactions**

A typical isochronous OUT operation in Slave mode is shown in [Figure 387](#). The assumptions are:

- The application is attempting to send one packet every frame (up to 1 maximum packet size), starting with an odd frame. (transfer size = 1 024 bytes).
- The periodic transmit FIFO can hold one packet (1 KB).
- Periodic request queue depth = 4.

The sequence of operations is as follows:

- a) Initialize and enable channel 1. The application must set the ODDFRM bit in OTG_HS_HCCHAR1.
- b) Write the first packet for channel 1. For a high-bandwidth isochronous transfer, the application must write the subsequent packets up to MCNT (maximum number of packets to be transmitted in the next frame times before switching to another channel).
- c) Along with the last word write of each packet, the OTG_HS host writes an entry to the periodic request queue.
- d) The OTG_HS host attempts to send the OUT token in the next frame (odd).
- e) The OTG_HS host generates the XFRC interrupt as soon as the last packet is transmitted successfully.
- f) In response to the XFRC interrupt, reinitialize the channel for the next transfer.
- g) Handling nonACK responses

Figure 387. Normal isochronous OUT/IN transactions - DMA mode

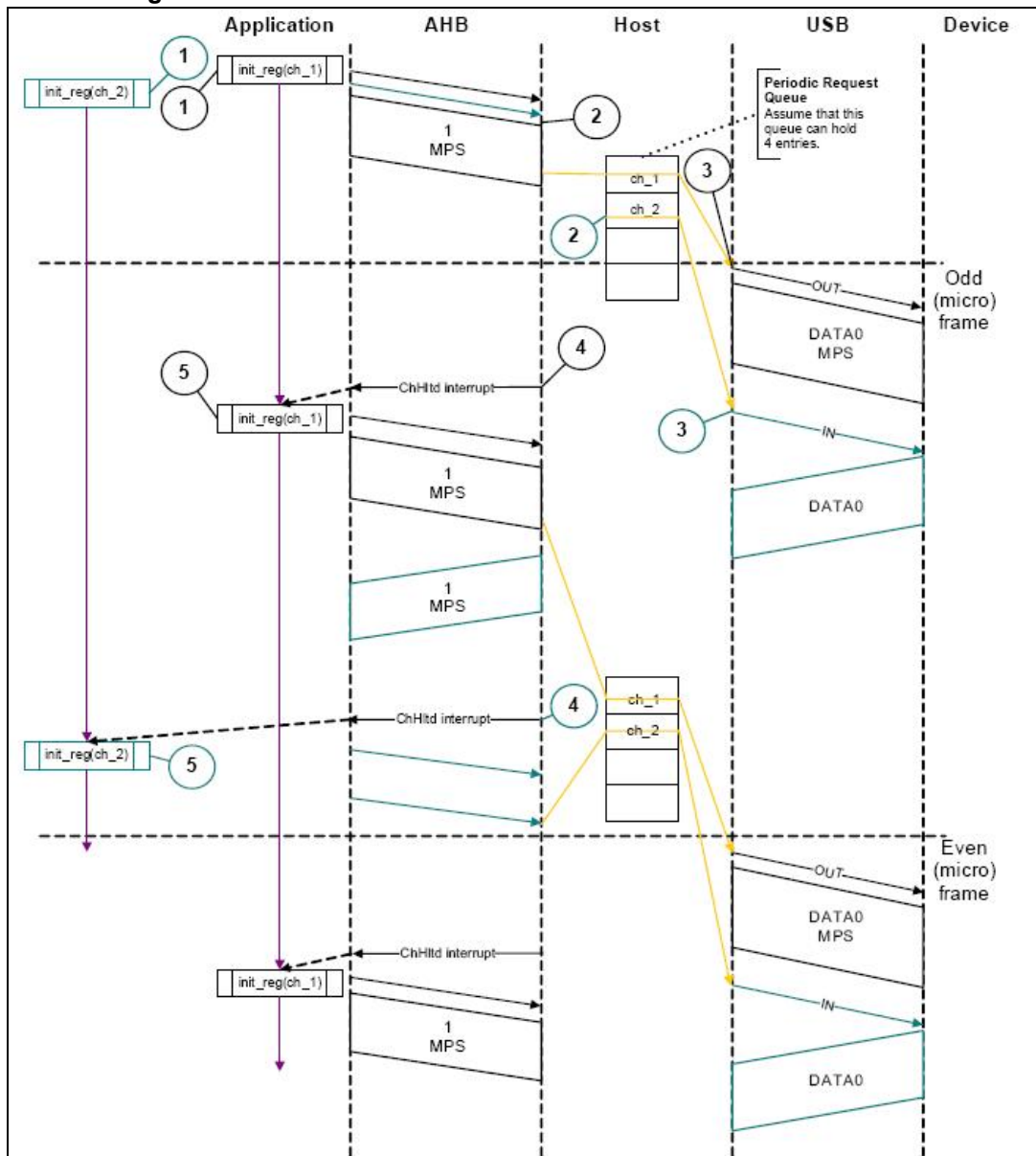
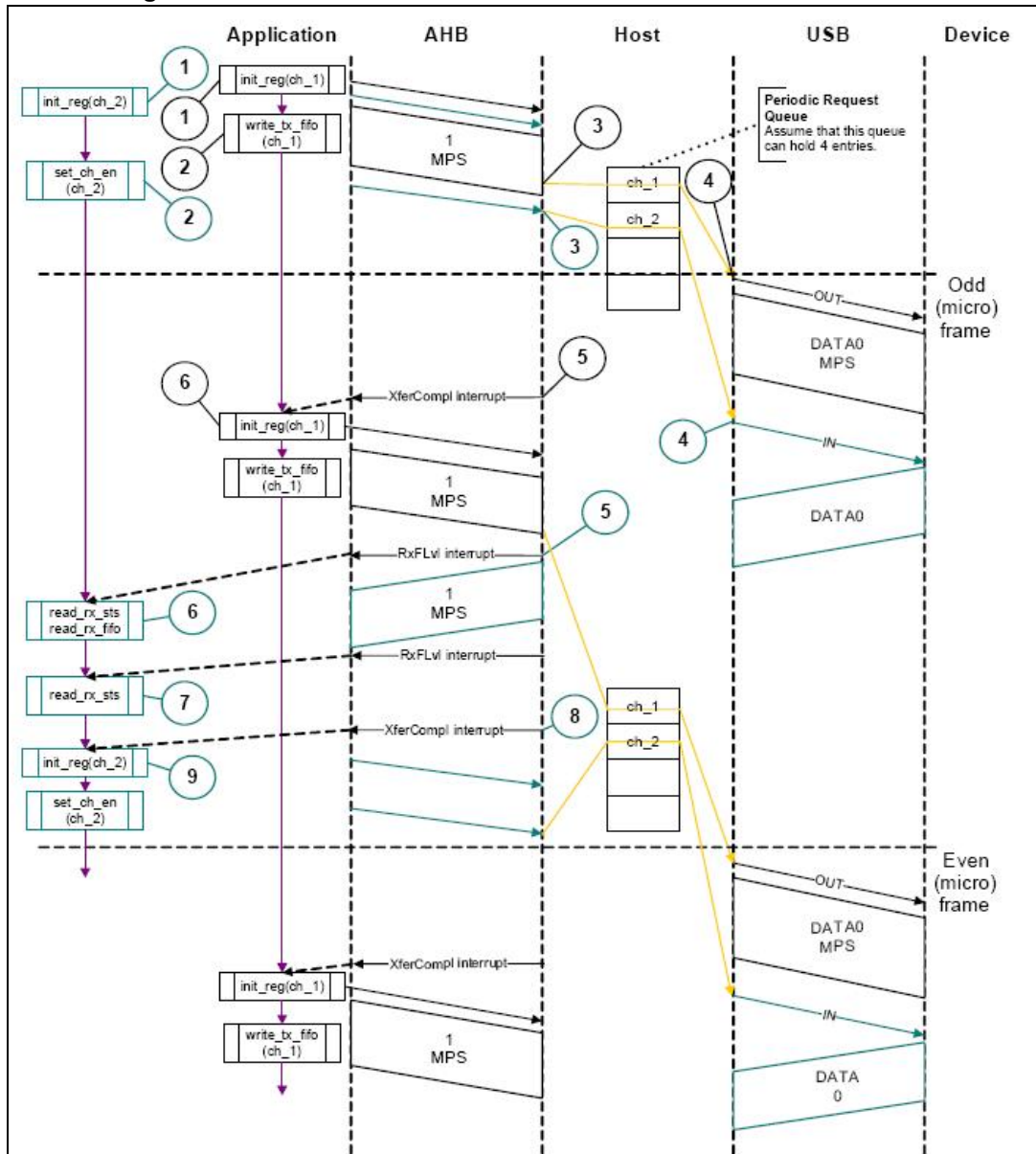


Figure 388. Normal isochronous OUT/IN transactions - Slave mode



• Interrupt service routine for isochronous OUT/IN transactions

Code sample: Isochronous OUT

```

Unmask (FRMOR/XFRC)
if (XFRC)
    {
        De-allocate Channel
    }
else
    if (FRMOR)
        {
            Unmask CHH
            Disable Channel
        }
    
```

```
else
if (CHH)
{
Mask CHH
De-allocate Channel
}
Code sample: Isochronous IN
Unmask (TXERR/XFRC/FRMOR/BBERR)
if (XFRC or FRMOR)
{
if (XFRC and (OTG_HS_HCTSIZx.PKTCNT == 0))
{
Reset Error Count
De-allocate Channel
}
else
{
Unmask CHH
Disable Channel
}
}
else
if (TXERR or BBERR)
{
Increment Error Count
Unmask CHH
Disable Channel
}
else
if (CHH)
{
Mask CHH
if (Transfer Done or (Error_count == 3))
{
De-allocate Channel
}
else
{
Re-initialize Channel
}
}
}
```

- **Isochronous IN transactions**

The assumptions are:

- The application is attempting to receive one packet (up to 1 maximum packet size) in every frame starting with the next odd frame (transfer size = 1 024 bytes).
- The receive FIFO can hold at least one maximum-packet-size packet and two status words per packet (1 031 bytes).
- Periodic request queue depth = 4.

The sequence of operations is as follows:

- a) Initialize channel 2. The application must set the ODDFRM bit in OTG_HS_HCCHAR2.
 - b) Set the CHENA bit in OTG_HS_HCCHAR2 to write an IN request to the periodic request queue. For a high-bandwidth isochronous transfer, the application must write the OTG_HS_HCCHAR2 register MCNT (maximum number of expected packets in the next frame times) before switching to another channel.
 - c) The OTG_HS host writes an IN request to the periodic request queue for each OTG_HS_HCCHAR2 register write with the CHENA bit set.
 - d) The OTG_HS host attempts to send an IN token in the next odd frame.
 - e) As soon as the IN packet is received and written to the receive FIFO, the OTG_HS host generates an RXFLVL interrupt.
 - f) In response to the RXFLVL interrupt, read the received packet status to determine the number of bytes received, then read the receive FIFO accordingly. The application must mask the RXFLVL interrupt before reading the receive FIFO, and unmask it after reading the entire packet.
 - g) The core generates an RXFLVL interrupt for the transfer completion status entry in the receive FIFO. This time, the application must read and ignore the receive packet status when the receive packet status is not an IN data packet (PKTSTS bit in OTG_HS_GRXSTSR ≠ 0b0010).
 - h) The core generates an XFRC interrupt as soon as the receive packet status is read.
 - i) In response to the XFRC interrupt, read the PKTCNT field in OTG_HS_HCTSIZ2. If PKTCNT ≠ 0 in OTG_HS_HCTSIZ2, disable the channel before re-initializing the channel for the next transfer, if any. If PKTCNT = 0 in OTG_HS_HCTSIZ2, reinitialize the channel for the next transfer. This time, the application must reset the ODDFRM bit in OTG_HS_HCCHAR2.
- **Selecting the queue depth**

Choose the periodic and nonperiodic request queue depths carefully to match the number of periodic/nonperiodic endpoints accessed.

The nonperiodic request queue depth affects the performance of nonperiodic transfers. The deeper the queue (along with sufficient FIFO size), the more often the core is able to pipeline nonperiodic transfers. If the queue size is small, the core is able to put in new requests only when the queue space is freed up.

The core's periodic request queue depth is critical to perform periodic transfers as scheduled. Select the periodic queue depth, based on the number of periodic transfers scheduled in a micro-frame. In Slave mode, however, the application must also take into account the disable entry that must be put into the queue. So, if there are two nonhigh-bandwidth periodic endpoints, the periodic request queue depth must be at least 4. If at least one high-bandwidth endpoint is supported, the queue depth must be

8. If the periodic request queue depth is smaller than the periodic transfers scheduled in a micro-frame, a frame overrun condition occurs.

- **Handling babble conditions**

OTG_HS controller handles two cases of babble: packet babble and port babble.

Packet babble occurs if the device sends more data than the maximum packet size for the channel. Port babble occurs if the core continues to receive data from the device at EOF2 (the end of frame 2, which is very close to SOF).

When OTG_HS controller detects a packet babble, it stops writing data into the Rx buffer and waits for the end of packet (EOP). When it detects an EOP, it flushes already written data in the Rx buffer and generates a Babble interrupt to the application.

When OTG_HS controller detects a port babble, it flushes the RxFIFO and disables the port. The core then generates a Port disabled interrupt (HPRTINT in OTG_HS_GINTSTS, PENCHNG in OTG_HS_HPRT). On receiving this interrupt, the application must determine that this is not due to an overcurrent condition (another cause of the Port Disabled interrupt) by checking POCA in OTG_HS_HPRT, then perform a soft reset. The core does not send any more tokens after it has detected a port babble condition.

- **Bulk and control OUT/SETUP transactions in DMA mode**

The sequence of operations is as follows:

- a) Initialize and enable channel 1 as explained in [Section : Channel initialization](#).
- b) The HS_OTG host starts fetching the first packet as soon as the channel is enabled. For internal DMA mode, the OTG_HS host uses the programmed DMA address to fetch the packet.
- c) After fetching the last word of the second (last) packet, the OTG_HS host masks channel 1 internally for further arbitration.
- d) The HS_OTG host generates a CHH interrupt as soon as the last packet is sent.
- e) In response to the CHH interrupt, de-allocate the channel for other transfers.

- **NAK and NYET handling with internal DMA**

- a) The OTG_HS host sends a bulk OUT transaction.
- b) The device responds with NAK or NYET.
- c) If the application has unmasked NAK or NYET, the core generates the corresponding interrupt(s) to the application. The application is not required to service these interrupts, since the core takes care of rewinding the buffer pointers and re-initializing the Channel without application intervention.
- d) The core automatically issues a ping token.
- e) When the device returns an ACK, the core continues with the transfer. Optionally, the application can utilize these interrupts, in which case the NAK or NYET interrupt is masked by the application.

The core does not generate a separate interrupt when NAK or NYET is received by the host functionality.

- **Bulk and control IN transactions in DMA mode**

The sequence of operations is as follows:

- a) Initialize and enable the used channel (channel x) as explained in [Section : Channel initialization](#).
- b) The OTG_HS host writes an IN request to the request queue as soon as the channel receives the grant from the arbiter (arbitration is performed in a round-robin fashion).

- c) The OTG_HS host starts writing the received data to the system memory as soon as the last byte is received with no errors.
- d) When the last packet is received, the OTG_HS host sets an internal flag to remove any extra IN requests from the request queue.
- e) The OTG_HS host flushes the extra requests.
- f) The final request to disable channel x is written to the request queue. At this point, channel 2 is internally masked for further arbitration.
- g) The OTG_HS host generates the CHH interrupt as soon as the disable request comes to the top of the queue.
- h) In response to the CHH interrupt, de-allocate the channel for other transfers.
- **Interrupt OUT transactions in DMA mode**
 - a) Initialize and enable channel x as explained in [Section : Channel initialization](#).
 - b) The OTG_HS host starts fetching the first packet as soon the channel is enabled and writes the OUT request along with the last word fetch. In high-bandwidth transfers, the HS_OTG host continues fetching the next packet (up to the value specified in the MC field) before switching to the next channel.
 - c) The OTG_HS host attempts to send the OUT token at the beginning of the next odd frame/micro-frame.
 - d) After successfully transmitting the packet, the OTG_HS host generates a CHH interrupt.
 - e) In response to the CHH interrupt, reinitialize the channel for the next transfer.
- **Interrupt IN transactions in DMA mode**

The sequence of operations (channelx) is as follows:

 - a) Initialize and enable channel x as explained in [Section : Channel initialization](#).
 - b) The OTG_HS host writes an IN request to the request queue as soon as the channel x gets the grant from the arbiter (round-robin with fairness). In high-bandwidth transfers, the OTG_HS host writes consecutive writes up to MC times.
 - c) The OTG_HS host attempts to send an IN token at the beginning of the next (odd) frame/micro-frame.
 - d) As soon the packet is received and written to the receive FIFO, the OTG_HS host generates a CHH interrupt.
 - e) In response to the CHH interrupt, reinitialize the channel for the next transfer.
- **Isochronous OUT transactions in DMA mode**
 - a) Initialize and enable channel x as explained in [Section : Channel initialization](#).
 - b) The OTG_HS host starts fetching the first packet as soon as the channel is enabled, and writes the OUT request along with the last word fetch. In high-bandwidth transfers, the OTG_HS host continues fetching the next packet (up to the value specified in the MC field) before switching to the next channel.
 - c) The OTG_HS host attempts to send an OUT token at the beginning of the next (odd) frame/micro-frame.
 - d) After successfully transmitting the packet, the HS_OTG host generates a CHH interrupt.
 - e) In response to the CHH interrupt, reinitialize the channel for the next transfer.
- **Isochronous IN transactions in DMA mode**

The sequence of operations ((channel x) is as follows:

- a) Initialize and enable channel x as explained in [Section : Channel initialization](#).
 - b) The OTG_HS host writes an IN request to the request queue as soon as the channel x gets the grant from the arbiter (round-robin with fairness). In high-bandwidth transfers, the OTG_HS host performs consecutive write operations up to MC times.
 - c) The OTG_HS host attempts to send an IN token at the beginning of the next (odd) frame/micro-frame.
 - d) As soon the packet is received and written to the receive FIFO, the OTG_HS host generates a CHH interrupt.
 - e) In response to the CHH interrupt, reinitialize the channel for the next transfer.
- **Bulk and control OUT/SETUP split transactions in DMA mode**

The sequence of operations in (channel x) is as follows:

 - a) Initialize and enable channel x for start split as explained in [Section : Channel initialization](#).
 - b) The OTG_HS host starts fetching the first packet as soon the channel is enabled and writes the OUT request along with the last word fetch.
 - c) After successfully transmitting start split, the OTG_HS host generates the CHH interrupt.
 - d) In response to the CHH interrupt, set the COMPLSPLT bit in HCSPLT1 to send the complete split.
 - e) After successfully transmitting complete split, the OTG_HS host generates the CHH interrupt.
 - f) In response to the CHH interrupt, de-allocate the channel.
 - **Bulk/Control IN split transactions in DMA mode**

The sequence of operations (channel x) is as follows:

 - a) Initialize and enable channel x as explained in [Section : Channel initialization](#).
 - b) The OTG_HS host writes the start split request to the nonperiodic request after getting the grant from the arbiter. The OTG_HS host masks the channel x internally for the arbitration after writing the request.
 - c) As soon as the IN token is transmitted, the OTG_HS host generates the CHH interrupt.
 - d) In response to the CHH interrupt, set the COMPLSPLT bit in HCSPLT2 and re-enable the channel to send the complete split token. This unmask channel x for arbitration.
 - e) The OTG_HS host writes the complete split request to the nonperiodic request after receiving the grant from the arbiter.
 - f) The OTG_HS host starts writing the packet to the system memory after receiving the packet successfully.
 - g) As soon as the received packet is written to the system memory, the OTG_HS host generates a CHH interrupt.
 - h) In response to the CHH interrupt, de-allocate the channel.
 - **Interrupt OUT split transactions in DMA mode**

The sequence of operations in (channel x) is as follows:

 - a) Initialize and enable channel 1 for start split as explained in [Section : Channel initialization](#). The application must set the ODDFRM bit in HCCHAR1.
 - b) The HS_OTG host starts reading the packet.

- c) The HS_OTG host attempts to send the start split transaction.
- d) After successfully transmitting the start split, the OTG_HS host generates the CHH interrupt.
- e) In response to the CHH interrupt, set the COMPLSPLT bit in HCSPLT1 to send the complete split.
- f) After successfully completing the complete split transaction, the OTG_HS host generates the CHH interrupt.
- g) In response to CHH interrupt, de-allocate the channel.
- **Interrupt IN split transactions in DMA mode**
The sequence of operations in (channel x) is as follows:
 - a) Initialize and enable channel x for start split as explained in [Section : Channel initialization](#).
 - b) The OTG_HS host writes an IN request to the request queue as soon as channel x receives the grant from the arbiter.
 - c) The OTG_HS host attempts to send the start split IN token at the beginning of the next odd micro-frame.
 - d) The OTG_HS host generates the CHH interrupt after successfully transmitting the start split IN token.
 - e) In response to the CHH interrupt, set the COMPLSPLT bit in HCSPLT2 to send the complete split.
 - f) As soon as the packet is received successfully, the OTG_HS host starts writing the data to the system memory.
 - g) The OTG_HS host generates the CHH interrupt after transferring the received data to the system memory.
 - h) In response to the CHH interrupt, de-allocate or reinitialize the channel for the next start split.
- **Isochronous OUT split transactions in DMA mode**
The sequence of operations (channel x) is as follows:
 - a) Initialize and enable channel x for start split (begin) as explained in [Section : Channel initialization](#). The application must set the ODDFRM bit in HCCHAR1. Program the MPS field.
 - b) The HS_OTG host starts reading the packet.
 - c) After successfully transmitting the start split (begin), the HS_OTG host generates the CHH interrupt.
 - d) In response to the CHH interrupt, reinitialize the registers to send the start split (end).
 - e) After successfully transmitting the start split (end), the OTG_HS host generates a CHH interrupt.
 - f) In response to the CHH interrupt, de-allocate the channel.
- **Isochronous IN split transactions in DMA mode**
The sequence of operations (channel x) is as follows:
 - a) Initialize and enable channel x for start split as explained in [Section : Channel initialization](#).
 - b) The OTG_HS host writes an IN request to the request queue as soon as channel x receives the grant from the arbiter.

- c) The OTG_HS host attempts to send the start split IN token at the beginning of the next odd micro-frame.
- d) The OTG_HS host generates the CHH interrupt after successfully transmitting the start split IN token.
- e) In response to the CHH interrupt, set the COMPLSPLT bit in HCSPLT2 to send the complete split.
- f) As soon as the packet is received successfully, the OTG_HS host starts writing the data to the system memory.
- g) The OTG_HS host generates the CHH interrupt after transferring the received data to the system memory. In response to the CHH interrupt, de-allocate the channel or reinitialize the channel for the next start split.

30.13.6 Device programming model

Endpoint initialization on USB reset

1. Set the NAK bit for all OUT endpoints
 - SNAK = 1 in OTG_HS_DOEPCTLx (for all OUT endpoints)
2. Unmask the following interrupt bits
 - INEP0 = 1 in OTG_HS_DAINMSK (control 0 IN endpoint)
 - OUTEP0 = 1 in OTG_HS_DAINMSK (control 0 OUT endpoint)
 - STUP = 1 in DOEPMSK
 - XFRC = 1 in DOEPMSK
 - XFRC = 1 in DIEPMSK
 - TOC = 1 in DIEPMSK
3. Set up the Data FIFO RAM for each of the FIFOs
 - Program the OTG_HS_GRXFSIZ register, to be able to receive control OUT data and setup data. If thresholding is not enabled, at a minimum, this must be equal to 1 max packet size of control endpoint 0 + 2 words (for the status of the control OUT data packet) + 10 words (for setup packets).
 - Program the OTG_HS_TX0FSIZ register (depending on the FIFO number chosen) to be able to transmit control IN data. At a minimum, this must be equal to 1 max packet size of control endpoint 0.
4. Program the following fields in the endpoint-specific registers for control OUT endpoint 0 to receive a SETUP packet
 - STUPCNT = 3 in OTG_HS_DOEPTSIZ0 (to receive up to 3 back-to-back SETUP packets)
5. In DMA mode, the DOEPDMA0 register should have a valid memory address to store any SETUP packets received.

At this point, all initialization required to receive SETUP packets is done.

Endpoint initialization on enumeration completion

1. On the Enumeration Done interrupt (ENUMDNE in OTG_HS_GINTSTS), read the OTG_HS_DSTS register to determine the enumeration speed.
2. Program the MPSIZ field in OTG_HS_DIEPCTL0 to set the maximum packet size. This step configures control endpoint 0. The maximum packet size for a control endpoint depends on the enumeration speed.
3. In DMA mode, program the DOEPCCTL0 register to enable control OUT endpoint 0, to receive a SETUP packet.
 - EPENA bit in DOEPCCTL0 = 1

At this point, the device is ready to receive SOF packets and is configured to perform control transfers on control endpoint 0.

Endpoint initialization on SetAddress command

This section describes what the application must do when it receives a SetAddress command in a SETUP packet.

1. Program the OTG_HS_DCFG register with the device address received in the SetAddress command
1. Program the core to send out a status IN packet

Endpoint initialization on SetConfiguration/SetInterface command

This section describes what the application must do when it receives a SetConfiguration or SetInterface command in a SETUP packet.

1. When a SetConfiguration command is received, the application must program the endpoint registers to configure them with the characteristics of the valid endpoints in the new configuration.
2. When a SetInterface command is received, the application must program the endpoint registers of the endpoints affected by this command.
3. Some endpoints that were active in the prior configuration or alternate setting are not valid in the new configuration or alternate setting. These invalid endpoints must be deactivated.
4. Unmask the interrupt for each active endpoint and mask the interrupts for all inactive endpoints in the OTG_HS_DAINTRMSK register.
5. Set up the Data FIFO RAM for each FIFO.
6. After all required endpoints are configured; the application must program the core to send a status IN packet.

At this point, the device core is configured to receive and transmit any type of data packet.

Endpoint activation

This section describes the steps required to activate a device endpoint or to configure an existing device endpoint to a new type.

1. Program the characteristics of the required endpoint into the following fields of the OTG_HS_DIEPCTLx register (for IN or bidirectional endpoints) or the OTG_HS_DOEPCTLx register (for OUT or bidirectional endpoints).
 - Maximum packet size
 - USB active endpoint = 1
 - Endpoint start data toggle (for interrupt and bulk endpoints)
 - Endpoint type
 - TxFIFO number
2. Once the endpoint is activated, the core starts decoding the tokens addressed to that endpoint and sends out a valid handshake for each valid token received for the endpoint.

Endpoint deactivation

This section describes the steps required to deactivate an existing endpoint.

1. In the endpoint to be deactivated, clear the USB active endpoint bit in the OTG_HS_DIEPCTLx register (for IN or bidirectional endpoints) or the OTG_HS_DOEPCTLx register (for OUT or bidirectional endpoints).
2. Once the endpoint is deactivated, the core ignores tokens addressed to that endpoint, which results in a timeout on the USB.

Note: The application must meet the following conditions to set up the device core to handle traffic:
NPTXFEM and RXFLVLM in GINTMSK must be cleared.

30.13.7 Operational model

SETUP and OUT data transfers

This section describes the internal data flow and application-level operations during data OUT transfers and SETUP transactions.

- **Packet read**

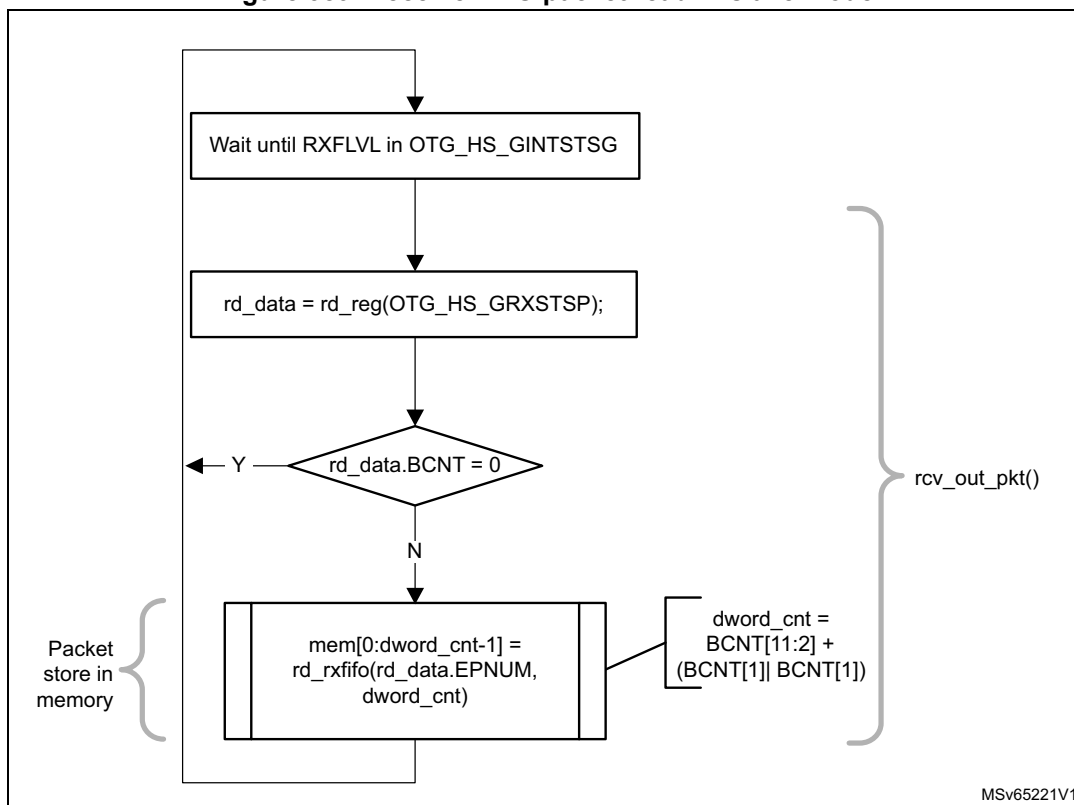
This section describes how to read packets (OUT data and SETUP packets) from the receive FIFO in Slave mode.

1. On catching an RXFLVL interrupt (OTG_HS_GINTSTS register), the application must read the Receive status pop register (OTG_HS_GRXSTSP).
2. The application can mask the RXFLVL interrupt (in OTG_HS_GINTSTS) by writing to RXFLVL = 0 (in GINTMSK), until it has read the packet from the receive FIFO.
3. If the received packet's byte count is not 0, the byte count amount of data is popped from the receive Data FIFO and stored in memory. If the received packet byte count is 0, no data is popped from the receive data FIFO.

4. The receive FIFO packet status readout indicates one of the following:
 - a) Global OUT NAK pattern:
PKTSTS = Global OUT NAK, BCNT = 0x000, EPNUM = Don't Care (0x0), DPID = Don't Care (0b00).
These data indicate that the global OUT NAK bit has taken effect.
 - b) SETUP packet pattern:
PKTSTS = SETUP, BCNT = 0x008, EPNUM = Control EP Num, DPID = D0.
These data indicate that a SETUP packet for the specified endpoint is now available for reading from the receive FIFO.
 - c) Setup stage done pattern:
PKTSTS = Setup Stage Done, BCNT = 0x0, EPNUM = Control EP Num, DPID = Don't Care (0b00).
These data indicate that the Setup stage for the specified endpoint has completed and the Data stage has started. After this entry is popped from the receive FIFO, the core asserts a Setup interrupt on the specified control OUT endpoint.
 - d) Data OUT packet pattern:
PKTSTS = DataOUT, BCNT = size of the received data OUT packet ($0 \leq BCNT \leq 1024$), EPNUM = EPNUM on which the packet was received, DPID = Actual Data PID.
 - e) Data transfer completed pattern:
PKTSTS = Data OUT Transfer Done, BCNT = 0x0, EPNUM = OUT EP Num on which the data transfer is complete, DPID = Don't Care (0b00).
These data indicate that an OUT data transfer for the specified OUT endpoint has completed. After this entry is popped from the receive FIFO, the core asserts a Transfer Completed interrupt on the specified OUT endpoint.
5. After the data payload is popped from the receive FIFO, the RXFLVL interrupt (OTG_HS_GINTSTS) must be unmasked.
6. Steps 1–5 are repeated every time the application detects assertion of the interrupt line due to RXFLVL in OTG_HS_GINTSTS. Reading an empty receive FIFO can result in undefined core behavior.

Figure 389 provides a flowchart of the above procedure.

Figure 389. Receive FIFO packet read in slave mode



• **SETUP transactions**

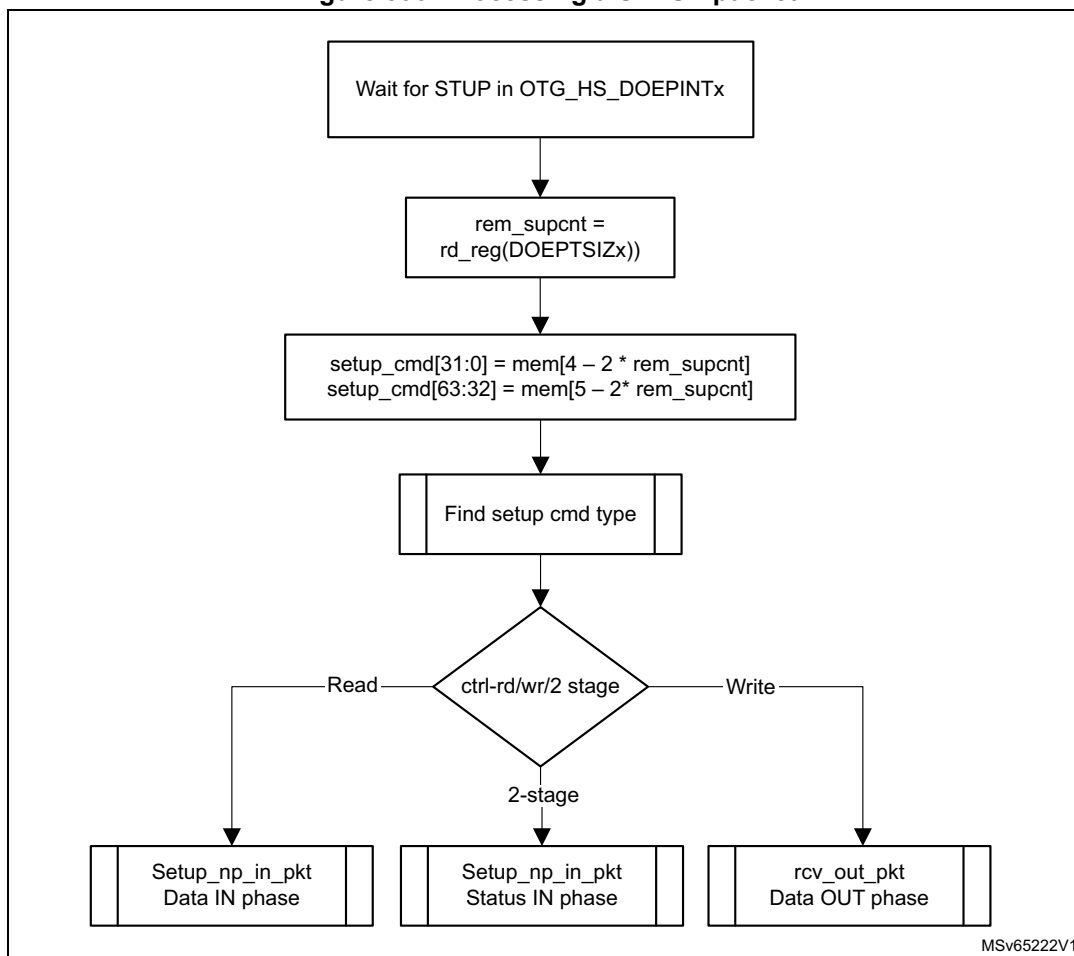
This section describes how the core handles SETUP packets and the application's sequence for handling SETUP transactions.

• **Application requirements**

1. To receive a SETUP packet, the STUPCNT field (OTG_HS_DOEPTSIZx) in a control OUT endpoint must be programmed to a nonzero value. When the application programs the STUPCNT field to a nonzero value, the core receives SETUP packets and writes them to the receive FIFO, irrespective of the NAK status and EPENA bit setting in OTG_HS_DOEPCTLx. The STUPCNT field is decremented every time the control endpoint receives a SETUP packet. If the STUPCNT field is not programmed to a proper value before receiving a SETUP packet, the core still receives the SETUP packet and decrements the STUPCNT field, but the application may not be able to determine the correct number of SETUP packets received in the Setup stage of a control transfer.
 - STUPCNT = 3 in OTG_HS_DOEPTSIZx
2. The application must always allocate some extra space in the Receive data FIFO, to be able to receive up to three SETUP packets on a control endpoint.
 - The space to be reserved is 10 words. Three words are required for the first SETUP packet, 1 word is required for the Setup stage done word and 6 words are required to store two extra SETUP packets among all control endpoints.
 - 3 words per SETUP packet are required to store 8 bytes of SETUP data and 4 bytes of SETUP status (Setup packet pattern). The core reserves this space in the receive data.
 - FIFO to write SETUP data only, and never uses this space for data packets.

3. The application must read the 2 words of the SETUP packet from the receive FIFO.
4. The application must read and discard the Setup stage done word from the receive FIFO.
- **Internal data flow**
5. When a SETUP packet is received, the core writes the received data to the receive FIFO, without checking for available space in the receive FIFO and irrespective of the endpoint's NAK and STALL bit settings.
 - The core internally sets the IN NAK and OUT NAK bits for the control IN/OUT endpoints on which the SETUP packet was received.
6. For every SETUP packet received on the USB, 3 words of data are written to the receive FIFO, and the STUPCNT field is decremented by 1.
 - The first word contains control information used internally by the core
 - The second word contains the first 4 bytes of the SETUP command
 - The third word contains the last 4 bytes of the SETUP command
7. When the Setup stage changes to a Data IN/OUT stage, the core writes an entry (Setup stage done word) to the receive FIFO, indicating the completion of the Setup stage.
8. On the AHB side, SETUP packets are emptied by the application.
9. When the application pops the Setup stage done word from the receive FIFO, the core interrupts the application with an STUP interrupt (OTG_HS_DOEPINTx), indicating it can process the received SETUP packet.
 - The core clears the endpoint enable bit for control OUT endpoints.
- **Application programming sequence**
1. Program the OTG_HS_DOEPTSIZx register.
 - STUPCNT = 3
2. Wait for the RXFLVL interrupt (OTG_HS_GINTSTS) and empty the data packets from the receive FIFO.
3. Assertion of the STUP interrupt (OTG_HS_DOEPINTx) marks a successful completion of the SETUP Data Transfer.
 - On this interrupt, the application must read the OTG_HS_DOEPTSIZx register to determine the number of SETUP packets received and process the last received SETUP packet.

Figure 390. Processing a SETUP packet



• **Handling more than three back-to-back SETUP packets**

Per the USB 2.0 specification, normally, during a SETUP packet error, a host does not send more than three back-to-back SETUP packets to the same endpoint. However, the USB 2.0 specification does not limit the number of back-to-back SETUP packets a host can send to the same endpoint. When this condition occurs, the OTG_HS controller generates an interrupt (B2BSTUP in OTG_HS_DOEPINTx).

• **Setting the global OUT NAK**

Internal data flow:

1. When the application sets the Global OUT NAK (SGONAK bit in OTG_HS_DCTL), the core stops writing data, except SETUP packets, to the receive FIFO. Irrespective of the space availability in the receive FIFO, nonisochronous OUT tokens receive a NAK handshake response, and the core ignores isochronous OUT data packets
2. The core writes the Global OUT NAK pattern to the receive FIFO. The application must reserve enough receive FIFO space to write this data pattern.
3. When the application pops the Global OUT NAK pattern word from the receive FIFO, the core sets the GONAKEFF interrupt (OTG_HS_GINTSTS).
4. Once the application detects this interrupt, it can assume that the core is in Global OUT NAK mode. The application can clear this interrupt by clearing the SGONAK bit in OTG_HS_DCTL.

Application programming sequence:

1. To stop receiving any kind of data in the receive FIFO, the application must set the Global OUT NAK bit by programming the following field:
 - SGONAK = 1 in OTG_HS_DCTL
2. Wait for the assertion of the GONAKEFF interrupt in OTG_HS_GINTSTS. When asserted, this interrupt indicates that the core has stopped receiving any type of data except SETUP packets.
3. The application can receive valid OUT packets after it has set SGONAK in OTG_HS_DCTL and before the core asserts the GONAKEFF interrupt (OTG_HS_GINTSTS).
4. The application can temporarily mask this interrupt by writing to the GINAKEFFM bit in GINTMSK.
 - GINAKEFFM = 0 in GINTMSK
5. Whenever the application is ready to exit the Global OUT NAK mode, it must clear the SGONAK bit in OTG_HS_DCTL. This also clears the GONAKEFF interrupt (OTG_HS_GINTSTS).
 - OTG_HS_DCTL = 1 in CGONAK
6. If the application has masked this interrupt earlier, it must be unmasked as follows:
 - GINAKEFFM = 1 in GINTMSK

- **Disabling an OUT endpoint**

The application must use this sequence to disable an OUT endpoint that it has enabled.

Application programming sequence:

1. Before disabling any OUT endpoint, the application must enable Global OUT NAK mode in the core.
 - SGONAK = 1 in OTG_HS_DCTL
2. Wait for the GONAKEFF interrupt (OTG_HS_GINTSTS)
3. Disable the required OUT endpoint by programming the following fields:
 - EPDIS = 1 in OTG_HS_DOEPCTLx
 - SNAK = 1 in OTG_HS_DOEPCTLx
4. Wait for the EPDISD interrupt (OTG_HS_DOEPINTx), which indicates that the OUT endpoint is completely disabled. When the EPDISD interrupt is asserted, the core also clears the following bits:
 - EPDIS = 0 in OTG_HS_DOEPCTLx
 - EPENA = 0 in OTG_HS_DOEPCTLx
5. The application must clear the Global OUT NAK bit to start receiving data from other nondisabled OUT endpoints.
 - SGONAK = 0 in OTG_HS_DCTL

- **Transfer Stop Programming for OUT endpoints**

The application must use the following programming sequence to stop any transfers (because of an interrupt from the host, typically a reset).

Sequence of operations:

1. Enable all OUT endpoints by setting
 - EPENA = 1 in all OTG_HS_DOEPCTLx registers.
2. Flush the RxFIFO as follows
 - Poll OTG_HS_GRSTCTL.AHBIDL until it is 1. This indicates that AHB master is idle.
 - Perform read modify write operation on OTG_HS_GRSTCTL.RXFFLSH = 1
 - Poll OTG_HS_GRSTCTL.RXFFLSH until it is 0, but also using a timeout of less than 10 milli-seconds (corresponds to minimum reset signaling duration). If 0 is seen before the timeout, then the RxFIFO flush is successful. If at the moment the timeout occurs, there is still a 1, (this may be due to a packet on EP0 coming from the host) then go back (once only) to the previous step (“Perform read modify write operation”).
3. Before disabling any OUT endpoint, the application must enable Global OUT NAK mode in the core, according to the instructions in [“Setting the global OUT NAK on page 1220”](#). This ensures that data in the RxFIFO is sent to the application successfully. Set SGONAK = 1 in OTG_HS_DCTL
4. Wait for the GONAKEFF interrupt (OTG_HS_GINTSTS)
5. Disable all active OUT endpoints by programming the following register bits:
 - EPDIS = 1 in registers OTG_HS_DOEPCTLx
 - SNAK = 1 in registers OTG_HS_DOEPCTLx
6. Wait for the EPDIS interrupt in OTG_HS_DOEPINTx for each OUT endpoint programmed in the previous step. The EPDIS interrupt in OTG_HS_DOEPINTx indicates that the corresponding OUT endpoint is completely disabled. When the EPDIS interrupt is asserted, the following bits are cleared:
 - EPENA = 0 in registers OTG_HS_DOEPCTLx
 - EPDIS = 0 in registers OTG_HS_DOEPCTLx
 - SNAK = 0 in registers OTG_HS_DOEPCTLx

- **Generic non-isochronous OUT data transfers**

This section describes a regular nonisochronous OUT data transfer (control, bulk, or interrupt).

Application requirements:

1. Before setting up an OUT transfer, the application must allocate a buffer in the memory to accommodate all data to be received as part of the OUT transfer.
2. For OUT transfers, the transfer size field in the endpoint’s transfer size register must be a multiple of the maximum packet size of the endpoint, adjusted to the word boundary.
 - $\text{transfer size}[\text{EPNUM}] = n \times (\text{MPSIZ}[\text{EPNUM}] + 4 - (\text{MPSIZ}[\text{EPNUM}] \bmod 4))$
 - $\text{packet count}[\text{EPNUM}] = n$
 - $n > 0$
3. On any OUT endpoint interrupt, the application must read the endpoint’s transfer size register to calculate the size of the payload in the memory. The received payload size can be less than the programmed transfer size.
 - $\text{Payload size in memory} = \text{application programmed initial transfer size} - \text{core updated final transfer size}$
 - $\text{Number of USB packets in which this payload was received} = \text{application programmed initial packet count} - \text{core updated final packet count}$

Internal data flow:

1. The application must set the transfer size and packet count fields in the endpoint-specific registers, clear the NAK bit, and enable the endpoint to receive the data.
2. Once the NAK bit is cleared, the core starts receiving data and writes it to the receive FIFO, as long as there is space in the receive FIFO. For every data packet received on the USB, the data packet and its status are written to the receive FIFO. Every packet (maximum packet size or short packet) written to the receive FIFO decrements the packet count field for that endpoint by 1.
 - OUT data packets received with bad data CRC are flushed from the receive FIFO automatically.
 - After sending an ACK for the packet on the USB, the core discards nonisochronous OUT data packets that the host, which cannot detect the ACK, re-sends. The application does not detect multiple back-to-back data OUT packets on the same endpoint with the same data PID. In this case the packet count is not decremented.
 - If there is no space in the receive FIFO, isochronous or nonisochronous data packets are ignored and not written to the receive FIFO. Additionally, nonisochronous OUT tokens receive a NAK handshake reply.
 - In all the above three cases, the packet count is not decremented because no data are written to the receive FIFO.
3. When the packet count becomes 0 or when a short packet is received on the endpoint, the NAK bit for that endpoint is set. Once the NAK bit is set, the isochronous or nonisochronous data packets are ignored and not written to the receive FIFO, and nonisochronous OUT tokens receive a NAK handshake reply.
4. After the data are written to the receive FIFO, the application reads the data from the receive FIFO and writes it to external memory, one packet at a time per endpoint.
5. At the end of every packet write on the AHB to external memory, the transfer size for the endpoint is decremented by the size of the written packet.
6. The OUT data transfer completed pattern for an OUT endpoint is written to the receive FIFO on one of the following conditions:
 - The transfer size is 0 and the packet count is 0
 - The last OUT data packet written to the receive FIFO is a short packet ($0 \leq \text{packet size} < \text{maximum packet size}$)
7. When either the application pops this entry (OUT data transfer completed), a transfer completed interrupt is generated for the endpoint and the endpoint enable is cleared.

Application programming sequence:

1. Program the OTG_HS_DOEPTSIZx register for the transfer size and the corresponding packet count.
 2. Program the OTG_HS_DOEPCTLx register with the endpoint characteristics, and set the EPENA and CNAK bits.
 - EPENA = 1 in OTG_HS_DOEPCTLx
 - CNAK = 1 in OTG_HS_DOEPCTLx
 3. Wait for the RXFLVL interrupt (in OTG_HS_GINTSTS) and empty the data packets from the receive FIFO.
 - This step can be repeated many times, depending on the transfer size.
 4. Asserting the XFRC interrupt (OTG_HS_DOEPINTx) marks a successful completion of the nonisochronous OUT data transfer.
 5. Read the OTG_HS_DOEPTSIZx register to determine the size of the received data payload.
- **Generic isochronous OUT data transfer**

This section describes a regular isochronous OUT data transfer.

Application requirements:

1. All the application requirements for nonisochronous OUT data transfers also apply to isochronous OUT data transfers.
2. For isochronous OUT data transfers, the transfer size and packet count fields must always be set to the number of maximum-packet-size packets that can be received in a single frame and no more. Isochronous OUT data transfers cannot span more than 1 frame.
3. The application must read all isochronous OUT data packets from the receive FIFO (data and status) before the end of the periodic frame (EOPF interrupt in OTG_HS_GINTSTS).
4. To receive data in the following frame, an isochronous OUT endpoint must be enabled after the EOPF (OTG_HS_GINTSTS) and before the SOF (OTG_HS_GINTSTS).

Internal data flow:

1. The internal data flow for isochronous OUT endpoints is the same as that for nonisochronous OUT endpoints, but for a few differences.
2. When an isochronous OUT endpoint is enabled by setting the Endpoint Enable and clearing the NAK bits, the Even/Odd frame bit must also be set appropriately. The core receives data on an isochronous OUT endpoint in a particular frame only if the following condition is met:
 - EONUM (in OTG_HS_DOEPCTLx) = SOFFN[0] (in OTG_HS_DSTS)
3. When the application completely reads an isochronous OUT data packet (data and status) from the receive FIFO, the core updates the RXDPID field in OTG_HS_DOEPTSIZx with the data PID of the last isochronous OUT data packet read from the receive FIFO.

Application programming sequence:

1. Program the OTG_HS_DOEPTSIZx register for the transfer size and the corresponding packet count
2. Program the OTG_HS_DOEPTCTLx register with the endpoint characteristics and set the Endpoint Enable, ClearNAK, and Even/Odd frame bits.
 - EPENA = 1
 - CNAK = 1
 - EONUM = (0: Even/1: Odd)
3. In Slave mode, wait for the RXFLVL interrupt (in OTG_HS_GINTSTS) and empty the data packets from the receive FIFO
 - This step can be repeated many times, depending on the transfer size.
4. The assertion of the XFRC interrupt (in OTG_HS_DOEPINTx) marks the completion of the isochronous OUT data transfer. This interrupt does not necessarily mean that the data in memory are good.
5. This interrupt cannot always be detected for isochronous OUT transfers. Instead, the application can detect the IISOOXFRM interrupt in OTG_HS_GINTSTS.
6. Read the OTG_HS_DOEPTSIZx register to determine the size of the received transfer and to determine the validity of the data received in the frame. The application must treat the data received in memory as valid only if one of the following conditions is met:
 - RXDPID = D0 (in OTG_HS_DOEPTSIZx) and the number of USB packets in which this payload was received = 1
 - RXDPID = D1 (in OTG_HS_DOEPTSIZx) and the number of USB packets in which this payload was received = 2
 - RXDPID = D2 (in OTG_HS_DOEPTSIZx) and the number of USB packets in which this payload was received = 3

The number of USB packets in which this payload was received =
Application programmed initial packet count – Core updated final packet count

The application can discard invalid data packets.

- **Incomplete isochronous OUT data transfers**

This section describes the application programming sequence when isochronous OUT data packets are dropped inside the core.

Internal data flow:

1. For isochronous OUT endpoints, the XFRC interrupt (in OTG_HS_DOEPINTx) may not always be asserted. If the core drops isochronous OUT data packets, the application could fail to detect the XFRC interrupt (OTG_HS_DOEPINTx) under the following circumstances:
 - When the receive FIFO cannot accommodate the complete ISO OUT data packet, the core drops the received ISO OUT data
 - When the isochronous OUT data packet is received with CRC errors
 - When the isochronous OUT token received by the core is corrupted
 - When the application is very slow in reading the data from the receive FIFO
2. When the core detects an end of periodic frame before transfer completion to all isochronous OUT endpoints, it asserts the incomplete Isochronous OUT data interrupt (IISOOXFRM in OTG_HS_GINTSTS), indicating that an XFRC interrupt (in OTG_HS_DOEPINTx) is not asserted on at least one of the isochronous OUT endpoints. At this point, the endpoint with the incomplete transfer remains enabled, but no active transfers remain in progress on this endpoint on the USB.

Application programming sequence:

1. Asserting the IISOXFRM interrupt (OTG_HS_GINTSTS) indicates that in the current frame, at least one isochronous OUT endpoint has an incomplete transfer.
2. If this occurs because isochronous OUT data is not completely emptied from the endpoint, the application must ensure that the application empties all isochronous OUT data (data and status) from the receive FIFO before proceeding.
 - When all data are emptied from the receive FIFO, the application can detect the XFRC interrupt (OTG_HS_DOEPINTx). In this case, the application must re-enable the endpoint to receive isochronous OUT data in the next frame.
3. When it receives an IISOXFRM interrupt (in OTG_HS_GINTSTS), the application must read the control registers of all isochronous OUT endpoints (OTG_HS_DOEPCTLx) to determine which endpoints had an incomplete transfer in the current micro-frame. An endpoint transfer is incomplete if both the following conditions are met:
 - EONUM bit (in OTG_HS_DOEPCTLx) = SOFFN[0] (in OTG_HS_DSTS)
 - EPENA = 1 (in OTG_HS_DOEPCTLx)
4. The previous step must be performed before the SOF interrupt (in OTG_HS_GINTSTS) is detected, to ensure that the current frame number is not changed.
5. For isochronous OUT endpoints with incomplete transfers, the application must discard the data in the memory and disable the endpoint by setting the EPDIS bit in OTG_HS_DOEPCTLx.
6. Wait for the EPDIS interrupt (in OTG_HS_DOEPINTx) and enable the endpoint to receive new data in the next frame.
 - Because the core can take some time to disable the endpoint, the application may not be able to receive the data in the next frame after receiving bad isochronous data.

- **Stalling a nonisochronous OUT endpoint**

This section describes how the application can stall a nonisochronous endpoint.

1. Put the core in the Global OUT NAK mode.
2. Disable the required endpoint
 - When disabling the endpoint, instead of setting the SNAK bit in OTG_HS_DOEPCTL, set STALL = 1 (in OTG_HS_DOEPCTL).
The STALL bit always takes precedence over the NAK bit.
3. When the application is ready to end the STALL handshake for the endpoint, the STALL bit (in OTG_HS_DOEPCTLx) must be cleared.
4. If the application is setting or clearing a STALL for an endpoint due to a SetFeature.Endpoint Halt or ClearFeature.Endpoint Halt command, the STALL bit must be set or cleared before the application sets up the Status stage transfer on the control endpoint.

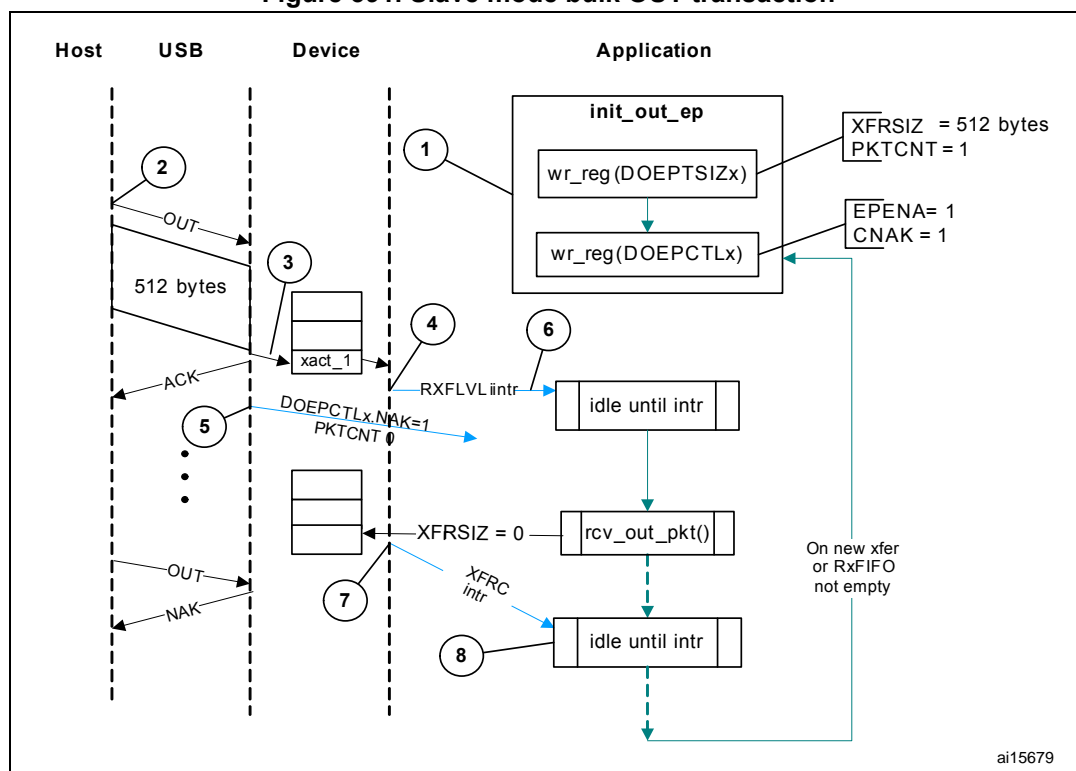
Examples

This section describes and depicts some fundamental transfer types and scenarios.

- Slave mode bulk OUT transaction

Figure 391 depicts the reception of a single Bulk OUT Data packet from the USB to the AHB and describes the events involved in the process.

Figure 391. Slave mode bulk OUT transaction



After a SetConfiguration/SetInterface command, the application initializes all OUT endpoints by setting CNAK = 1 and EPENA = 1 (in OTG_HS_DOEPCTLx), and setting a suitable XFRSIZ and PKTCNT in the OTG_HS_DOEPSIZx register.

1. Host attempts to send data (OUT token) to an endpoint.
2. When the core receives the OUT token on the USB, it stores the packet in the RxFIFO because space is available there.
3. After writing the complete packet in the RxFIFO, the core then asserts the RXFLVL interrupt (in OTG_HS_GINTSTS).
4. On receiving the PKTCNT number of USB packets, the core internally sets the NAK bit for this endpoint to prevent it from receiving any more packets.
5. The application processes the interrupt and reads the data from the RxFIFO.
6. When the application has read all the data (equivalent to XFRSIZ), the core generates an XFRC interrupt (in OTG_HS_DOEPINTx).
7. The application processes the interrupt and uses the setting of the XFRC interrupt bit (in OTG_HS_DOEPINTx) to determine that the intended transfer is complete.

IN data transfers

- **Packet write**

This section describes how the application writes data packets to the endpoint FIFO in Slave mode when dedicated transmit FIFOs are enabled.

1. The application can either choose the polling or the interrupt mode.
 - In polling mode, the application monitors the status of the endpoint transmit data FIFO by reading the OTG_HS_DTXFSTSx register, to determine if there is enough space in the data FIFO.
 - In interrupt mode, the application waits for the TXFE interrupt (in OTG_HS_DIEPINTx) and then reads the OTG_HS_DTXFSTSx register, to determine if there is enough space in the data FIFO.
 - To write a single nonzero length data packet, there must be space to write the entire packet in the data FIFO.
 - To write zero length packet, the application must not look at the FIFO space.
2. Using one of the above mentioned methods, when the application determines that there is enough space to write a transmit packet, the application must first write into the endpoint control register, before writing the data into the data FIFO. Typically, the application, must do a read modify write on the OTG_HS_DIEPCTLx register to avoid modifying the contents of the register, except for setting the Endpoint Enable bit.

The application can write multiple packets for the same endpoint into the transmit FIFO, if space is available. For periodic IN endpoints, the application must write packets only for one micro-frame. It can write packets for the next periodic transaction only after getting transfer complete for the previous transaction.

- **Setting IN endpoint NAK**

Internal data flow:

1. When the application sets the IN NAK for a particular endpoint, the core stops transmitting data on the endpoint, irrespective of data availability in the endpoint's transmit FIFO.
2. Nonisochronous IN tokens receive a NAK handshake reply
 - Isochronous IN tokens receive a zero-data-length packet reply
3. The core asserts the INEPNE (IN endpoint NAK effective) interrupt in OTG_HS_DIEPINTx in response to the SNAK bit in OTG_HS_DIEPCTLx.
4. Once this interrupt is seen by the application, the application can assume that the endpoint is in IN NAK mode. This interrupt can be cleared by the application by setting the CNAK bit in OTG_HS_DIEPCTLx.

Application programming sequence:

1. To stop transmitting any data on a particular IN endpoint, the application must set the IN NAK bit. To set this bit, the following field must be programmed.
 - SNAK = 1 in OTG_HS_DIEPCTLx
2. Wait for assertion of the INEPNE interrupt in OTG_HS_DIEPINTx. This interrupt indicates that the core has stopped transmitting data on the endpoint.
3. The core can transmit valid IN data on the endpoint after the application has set the NAK bit, but before the assertion of the NAK Effective interrupt.
4. The application can mask this interrupt temporarily by writing to the INEPNEM bit in DIEPMSK.
 - INEPNEM = 0 in DIEPMSK
5. To exit Endpoint NAK mode, the application must clear the NAK status bit (NAKSTS) in OTG_HS_DIEPCTLx. This also clears the INEPNE interrupt (in OTG_HS_DIEPINTx).
 - CNAK = 1 in OTG_HS_DIEPCTLx
6. If the application masked this interrupt earlier, it must be unmasked as follows:
 - INEPNEM = 1 in DIEPMSK

- **IN endpoint disable**

Use the following sequence to disable a specific IN endpoint that has been previously enabled.

Application programming sequence:

1. The application must stop writing data on the AHB for the IN endpoint to be disabled.
2. The application must set the endpoint in NAK mode.
 - SNAK = 1 in OTG_HS_DIEPCTLx
3. Wait for the INEPNE interrupt in OTG_HS_DIEPINTx.
4. Set the following bits in the OTG_HS_DIEPCTLx register for the endpoint that must be disabled.
 - EPDIS = 1 in OTG_HS_DIEPCTLx
 - SNAK = 1 in OTG_HS_DIEPCTLx
5. Assertion of the EPDISD interrupt in OTG_HS_DIEPINTx indicates that the core has completely disabled the specified endpoint. Along with the assertion of the interrupt, the core also clears the following bits:
 - EPENA = 0 in OTG_HS_DIEPCTLx
 - EPDIS = 0 in OTG_HS_DIEPCTLx
6. The application must read the OTG_HS_DIEPTSIZx register for the periodic IN EP, to calculate how much data on the endpoint were transmitted on the USB.
7. The application must flush the data in the Endpoint transmit FIFO, by setting the following fields in the OTG_HS_GRSTCTL register:
 - TXFNUM (in OTG_HS_GRSTCTL) = Endpoint transmit FIFO number
 - TXFFLSH in (OTG_HS_GRSTCTL) = 1

The application must poll the OTG_HS_GRSTCTL register, until the TXFFLSH bit is cleared by the core, which indicates the end of flush operation. To transmit new data on this endpoint, the application can re-enable the endpoint at a later point.

- **Transfer Stop Programming for IN endpoints**

The application must use the following programming sequence to stop any transfers (because of an interrupt from the host, typically a reset).

Sequence of operations:

1. Disable the IN endpoint by setting:
 - EPDIS = 1 in all OTG_HS_DIEPCTLx registers
2. Wait for the EPDIS interrupt in OTG_HS_DIEPINTx, which indicates that the IN endpoint is completely disabled. When the EPDIS interrupt is asserted the following bits are cleared:
 - EPDIS = 0 in OTG_HS_DIEPCTLx
 - EPENA = 0 in OTG_HS_DIEPCTLx
3. Flush the TxFIFO by programming the following bits:
 - TXFFLSH = 1 in OTG_HS_GRSTCTL
 - TXFNUM = “FIFO number specific to endpoint” in OTG_HS_GRSTCTL
4. The application can start polling till TXFFLSH in OTG_HS_GRSTCTL is cleared. When this bit is cleared, it ensures that there is no data left in the Tx FIFO.

- **Generic non-periodic IN data transfers**

Application requirements:

1. Before setting up an IN transfer, the application must ensure that all data to be transmitted as part of the IN transfer are part of a single buffer.
2. For IN transfers, the Transfer Size field in the Endpoint Transfer Size register denotes a payload that constitutes multiple maximum-packet-size packets and a single short packet. This short packet is transmitted at the end of the transfer.
 - To transmit a few maximum-packet-size packets and a short packet at the end of the transfer:

$$\text{Transfer size[EPNUM]} = x \times \text{MPSIZ[EPNUM]} + \text{sp}$$
 If (sp > 0), then packet count[EPNUM] = x + 1.
 Otherwise, packet count[EPNUM] = x
 - To transmit a single zero-length data packet:

$$\text{Transfer size[EPNUM]} = 0$$

$$\text{Packet count[EPNUM]} = 1$$
 - To transmit a few maximum-packet-size packets and a zero-length data packet at the end of the transfer, the application must split the transfer into two parts. The first sends maximum-packet-size data packets and the second sends the zero-length data packet alone.

$$\text{First transfer: transfer size[EPNUM]} = x \times \text{MPSIZ[epnum]}; \text{ packet count} = n;$$

$$\text{Second transfer: transfer size[EPNUM]} = 0; \text{ packet count} = 1;$$
3. Once an endpoint is enabled for data transfers, the core updates the Transfer size register. At the end of the IN transfer, the application must read the Transfer size register to determine how much data posted in the transmit FIFO have already been sent on the USB.
4. Data fetched into transmit FIFO = Application-programmed initial transfer size – core-updated final transfer size
 - Data transmitted on USB = (application-programmed initial packet count – Core updated final packet count) × MPSIZ[EPNUM]
 - Data yet to be transmitted on USB = (Application-programmed initial transfer size – data transmitted on USB)

Internal data flow:

1. The application must set the transfer size and packet count fields in the endpoint-specific registers and enable the endpoint to transmit the data.
2. The application must also write the required data to the transmit FIFO for the endpoint.
3. Every time a packet is written into the transmit FIFO by the application, the transfer size for that endpoint is decremented by the packet size. The data is fetched from the memory by the application, until the transfer size for the endpoint becomes 0. After writing the data into the FIFO, the “number of packets in FIFO” count is incremented (this is a 3-bit count, internally maintained by the core for each IN endpoint transmit FIFO. The maximum number of packets maintained by the core at any time in an IN endpoint FIFO is eight). For zero-length packets, a separate flag is set for each FIFO, without any data in the FIFO.
4. Once the data are written to the transmit FIFO, the core reads them out upon receiving an IN token. For every nonisochronous IN data packet transmitted with an ACK handshake, the packet count for the endpoint is decremented by one, until the packet count is zero. The packet count is not decremented on a timeout.
5. For zero length packets (indicated by an internal zero length flag), the core sends out a zero-length packet for the IN token and decrements the packet count field.
6. If there are no data in the FIFO for a received IN token and the packet count field for that endpoint is zero, the core generates an “IN token received when TxFIFO is empty” (ITTXFE) Interrupt for the endpoint, provided that the endpoint NAK bit is not set. The core responds with a NAK handshake for nonisochronous endpoints on the USB.
7. The core internally rewinds the FIFO pointers and no timeout interrupt is generated.
8. When the transfer size is 0 and the packet count is 0, the transfer complete (XFRC) interrupt for the endpoint is generated and the endpoint enable is cleared.

Application programming sequence:

1. Program the OTG_HS_DIEPTSIZx register with the transfer size and corresponding packet count.
 2. Program the OTG_HS_DIEPCTLx register with the endpoint characteristics and set the CNAK and EPENA (Endpoint Enable) bits.
 3. When transmitting nonzero length data packet, the application must poll the OTG_HS_DTXFSTSx register (where x is the FIFO number associated with that endpoint) to determine whether there is enough space in the data FIFO. The application can optionally use TXFE (in OTG_HS_DIEPINTx) before writing the data.
- **Generic periodic IN data transfers**

This section describes a typical periodic IN data transfer.

Application requirements:

1. Application requirements 1, 2, 3, and 4 of [Generic non-periodic IN data transfers on page 1230](#) also apply to periodic IN data transfers, except for a slight modification of requirement 2.
 - The application can only transmit multiples of maximum-packet-size data packets or multiples of maximum-packet-size packets, plus a short packet at the end. To

transmit a few maximum-packet-size packets and a short packet at the end of the transfer, the following conditions must be met:

transfer size[EPNUM] = $x \times \text{MPSIZ}[\text{EPNUM}] + \text{sp}$

(where x is an integer ≥ 0 , and $0 \leq \text{sp} < \text{MPSIZ}[\text{EPNUM}]$)

If ($\text{sp} > 0$), packet count[EPNUM] = $x + 1$

Otherwise, packet count[EPNUM] = x ;

MCNT[EPNUM] = packet count[EPNUM]

- The application cannot transmit a zero-length data packet at the end of a transfer. It can transmit a single zero-length data packet by itself. To transmit a single zero-length data packet:
 - transfer size[EPNUM] = 0
 - packet count[EPNUM] = 1
 - MCNT[EPNUM] = packet count[EPNUM]
- 2. The application can only schedule data transfers one frame at a time.
 - $(\text{MCNT} - 1) \times \text{MPSIZ} \leq \text{XFERSIZ} \leq \text{MCNT} \times \text{MPSIZ}$
 - PKTCNT = MCNT (in OTG_HS_DIEPTSIZx)
 - If $\text{XFERSIZ} < \text{MCNT} \times \text{MPSIZ}$, the last data packet of the transfer is a short packet.
 - Note that: MCNT is in OTG_HS_DIEPTSIZx, MPSIZ is in OTG_HS_DIEPCTLx, PKTCNT is in OTG_HS_DIEPTSIZx and XFERSIZ is in OTG_HS_DIEPTSIZx
- 3. The complete data to be transmitted in the frame must be written into the transmit FIFO by the application, before the IN token is received. Even when 1 word of the data to be transmitted per frame is missing in the transmit FIFO when the IN token is received, the core behaves as when the FIFO is empty. When the transmit FIFO is empty:
 - A zero data length packet would be transmitted on the USB for isochronous IN endpoints
 - A NAK handshake would be transmitted on the USB for interrupt IN endpoints
- 4. For a high-bandwidth IN endpoint with three packets in a frame, the application can program the endpoint FIFO size to be $2 \times \text{max_pkt_size}$ and have the third packet loaded in after the first packet has been transmitted on the USB.

Internal data flow:

1. The application must set the transfer size and packet count fields in the endpoint-specific registers and enable the endpoint to transmit the data.
2. The application must also write the required data to the associated transmit FIFO for the endpoint.
3. Every time the application writes a packet to the transmit FIFO, the transfer size for that endpoint is decremented by the packet size. The data are fetched from application memory until the transfer size for the endpoint becomes 0.
4. When an IN token is received for a periodic endpoint, the core transmits the data in the FIFO, if available. If the complete data payload (complete packet, in dedicated FIFO

mode) for the frame is not present in the FIFO, then the core generates an IN token received when TxFIFO empty interrupt for the endpoint.

- A zero-length data packet is transmitted on the USB for isochronous IN endpoints
 - A NAK handshake is transmitted on the USB for interrupt IN endpoints
5. The packet count for the endpoint is decremented by 1 under the following conditions:
 - For isochronous endpoints, when a zero- or nonzero-length data packet is transmitted
 - For interrupt endpoints, when an ACK handshake is transmitted
 - When the transfer size and packet count are both 0, the transfer completed interrupt for the endpoint is generated and the endpoint enable is cleared.
 6. At the “Periodic frame Interval” (controlled by PFIVL in OTG_HS_DCFG), when the core finds nonempty any of the isochronous IN endpoint FIFOs scheduled for the current frame nonempty, the core generates an IISOIXFR interrupt in OTG_HS_GINTSTS.

Application programming sequence:

1. Program the OTG_HS_DIEPCTLx register with the endpoint characteristics and set the CNAK and EPENA bits.
2. Write the data to be transmitted in the next frame to the transmit FIFO.
3. Asserting the ITTXFE interrupt (in OTG_HS_DIEPINTx) indicates that the application has not yet written all data to be transmitted to the transmit FIFO.
4. If the interrupt endpoint is already enabled when this interrupt is detected, ignore the interrupt. If it is not enabled, enable the endpoint so that the data can be transmitted on the next IN token attempt.
5. Asserting the XFRC interrupt (in OTG_HS_DIEPINTx) with no ITTXFE interrupt in OTG_HS_DIEPINTx indicates the successful completion of an isochronous IN transfer. A read to the OTG_HS_DIEPTSIZx register must give transfer size = 0 and packet count = 0, indicating all data were transmitted on the USB.
6. Asserting the XFRC interrupt (in OTG_HS_DIEPINTx), with or without the ITTXFE interrupt (in OTG_HS_DIEPINTx), indicates the successful completion of an interrupt IN transfer. A read to the OTG_HS_DIEPTSIZx register must give transfer size = 0 and packet count = 0, indicating all data were transmitted on the USB.
7. Asserting the incomplete isochronous IN transfer (IISOIXFR) interrupt in OTG_HS_GINTSTS with none of the aforementioned interrupts indicates the core did not receive at least 1 periodic IN token in the current frame.

- **Incomplete isochronous IN data transfers**

This section describes what the application must do on an incomplete isochronous IN data transfer.

Internal data flow:

1. An isochronous IN transfer is treated as incomplete in one of the following conditions:
 - a) The core receives a corrupted isochronous IN token on at least one isochronous IN endpoint. In this case, the application detects an incomplete isochronous IN transfer interrupt (IISOIXFR in OTG_HS_GINTSTS).
 - b) The application is slow to write the complete data payload to the transmit FIFO and an IN token is received before the complete data payload is written to the FIFO. In this case, the application detects an IN token received when TxFIFO empty interrupt in OTG_HS_DIEPINTx. The application can ignore this interrupt,

as it eventually results in an incomplete isochronous IN transfer interrupt (IISOIXFR in OTG_HS_GINTSTS) at the end of periodic frame.

The core transmits a zero-length data packet on the USB in response to the received IN token.

2. The application must stop writing the data payload to the transmit FIFO as soon as possible.
3. The application must set the NAK bit and the disable bit for the endpoint.
4. The core disables the endpoint, clears the disable bit, and asserts the Endpoint Disable interrupt for the endpoint.

Application programming sequence

1. The application can ignore the IN token received when Tx FIFO empty interrupt in OTG_HS_DIEPINTx on any isochronous IN endpoint, as it eventually results in an incomplete isochronous IN transfer interrupt (in OTG_HS_GINTSTS).
2. Assertion of the incomplete isochronous IN transfer interrupt (in OTG_HS_GINTSTS) indicates an incomplete isochronous IN transfer on at least one of the isochronous IN endpoints.
3. The application must read the Endpoint Control register for all isochronous IN endpoints to detect endpoints with incomplete IN data transfers.
4. The application must stop writing data to the Periodic Transmit FIFOs associated with these endpoints on the AHB.
5. Program the following fields in the OTG_HS_DIEPCTLx register to disable the endpoint:
 - SNAK = 1 in OTG_HS_DIEPCTLx
 - EPDIS = 1 in OTG_HS_DIEPCTLx
6. The assertion of the Endpoint Disabled interrupt in OTG_HS_DIEPINTx indicates that the core has disabled the endpoint.
 - At this point, the application must flush the data in the associated transmit FIFO or overwrite the existing data in the FIFO by enabling the endpoint for a new transfer in the next micro-frame. To flush the data, the application must use the OTG_HS_GRSTCTL register.

- **Stalling nonisochronous IN endpoints**

This section describes how the application can stall a nonisochronous endpoint.

Application programming sequence:

1. Disable the IN endpoint to be stalled. Set the STALL bit as well.
2. EPDIS = 1 in OTG_HS_DIEPCTLx, when the endpoint is already enabled
 - STALL = 1 in OTG_HS_DIEPCTLx
 - The STALL bit always takes precedence over the NAK bit
3. Assertion of the Endpoint Disabled interrupt (in OTG_HS_DIEPINTx) indicates to the application that the core has disabled the specified endpoint.
4. The application must flush the nonperiodic or periodic transmit FIFO, depending on the endpoint type. In case of a nonperiodic endpoint, the application must re-enable the other nonperiodic endpoints that do not need to be stalled, to transmit data.
5. Whenever the application is ready to end the STALL handshake for the endpoint, the STALL bit must be cleared in OTG_HS_DIEPCTLx.
6. If the application sets or clears a STALL bit for an endpoint due to a SetFeature.Endpoint Halt command or ClearFeature.Endpoint Halt command, the STALL bit must be set or cleared before the application sets up the Status stage transfer on the control endpoint.

Special case: stalling the control OUT endpoint

The core must stall IN/OUT tokens if, during the data stage of a control transfer, the host sends more IN/OUT tokens than are specified in the SETUP packet. In this case, the application must enable the ITTXFE interrupt in OTG_HS_DIEPINTx and the OTEPDIS interrupt in OTG_HS_DOEPINTx during the data stage of the control transfer, after the core has transferred the amount of data specified in the SETUP packet. Then, when the application receives this interrupt, it must set the STALL bit in the corresponding endpoint control register, and clear this interrupt.

30.13.8 Worst case response time

When the OTG_HS controller acts as a device, there is a worst case response time for any tokens that follow an isochronous OUT. This worst case response time depends on the AHB clock frequency.

The core registers are in the AHB domain, and the core does not accept another token before updating these register values. The worst case is for any token following an isochronous OUT, because for an isochronous transaction, there is no handshake and the next token could come sooner. This worst case value is 7 PHY clocks when the AHB clock is the same as the PHY clock. When the AHB clock is faster, this value is smaller.

If this worst case condition occurs, the core responds to bulk/interrupt tokens with a NAK and drops isochronous and SETUP tokens. The host interprets this as a timeout condition for SETUP and retries the SETUP packet. For isochronous transfers, the Incomplete isochronous IN transfer interrupt (IISOIXFR) and Incomplete isochronous OUT transfer interrupt (IISOOXFR) inform the application that isochronous IN/OUT packets were dropped.

Choosing the value of TRDT in OTG_HS_GUSBCFG

The value in TRDT (OTG_HS_GUSBCFG) is the time it takes for the MAC, in terms of PHY clocks after it has received an IN token, to get the FIFO status, and thus the first data from the PFC block. This time involves the synchronization delay between the PHY and AHB clocks. The worst case delay for this is when the AHB clock is the same as the PHY clock. In this case, the delay is 5 clocks.

Once the MAC receives an IN token, this information (token received) is synchronized to the AHB clock by the PFC (the PFC runs on the AHB clock). The PFC then reads the data from the SPRAM and writes them into the dual clock source buffer. The MAC then reads the data out of the source buffer (4 deep).

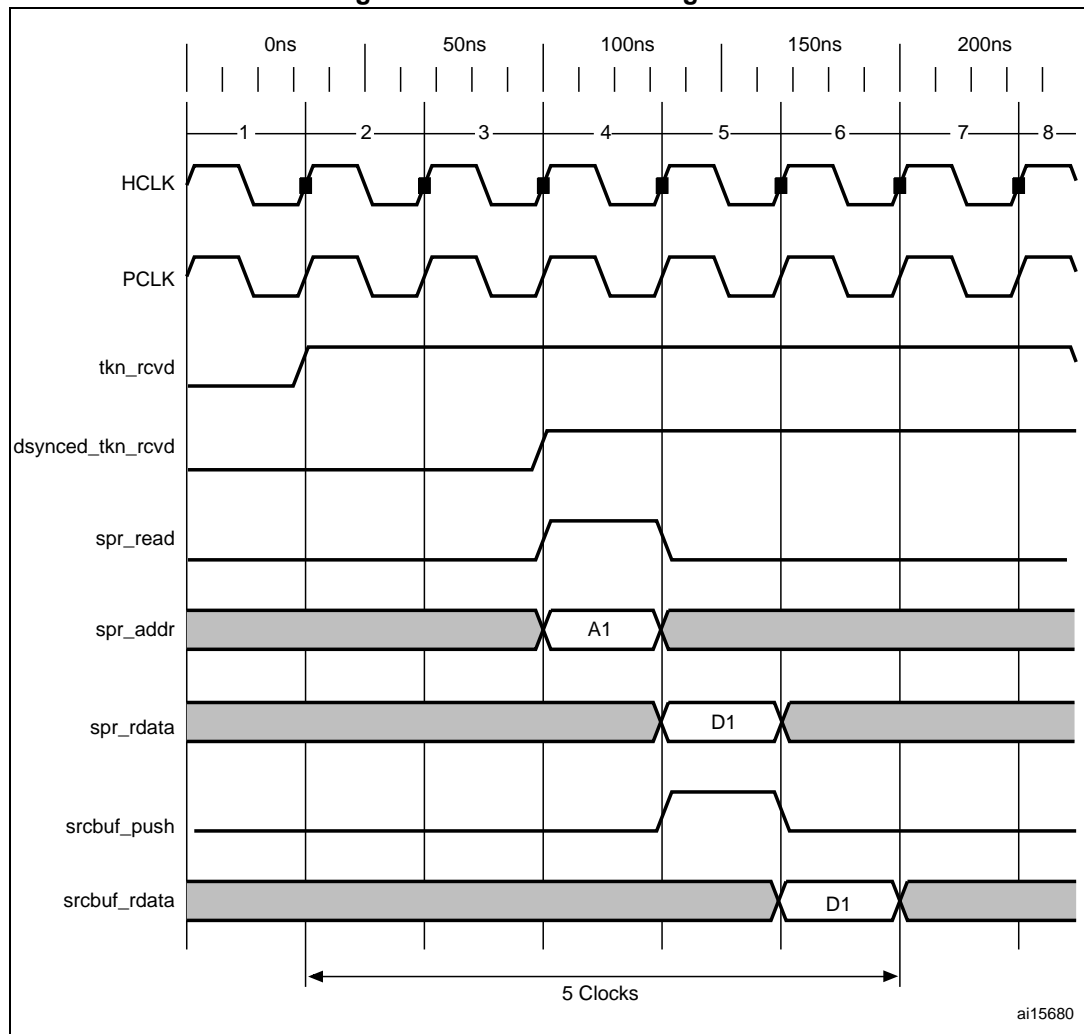
If the AHB is running at a higher frequency than the PHY, the application can use a smaller value for TRDT (in OTG_HS_GUSB_CFG).

Figure 392 has the following signals:

- tkn_rcvd: Token received information from MAC to PFC
- dynced_tkn_rcvd: Doubled sync tkn_rcvd, from PCLK to HCLK domain
- spr_read: Read to SPRAM
- spr_addr: Address to SPRAM
- spr_rdata: Read data from SPRAM
- srcbuf_push: Push to the source buffer
- srcbuf_rdata: Read data from the source buffer. Data seen by MAC

Refer to Table 166: TRDT values for the values of TRDT versus AHB clock frequency.

Figure 392. TRDT max timing case



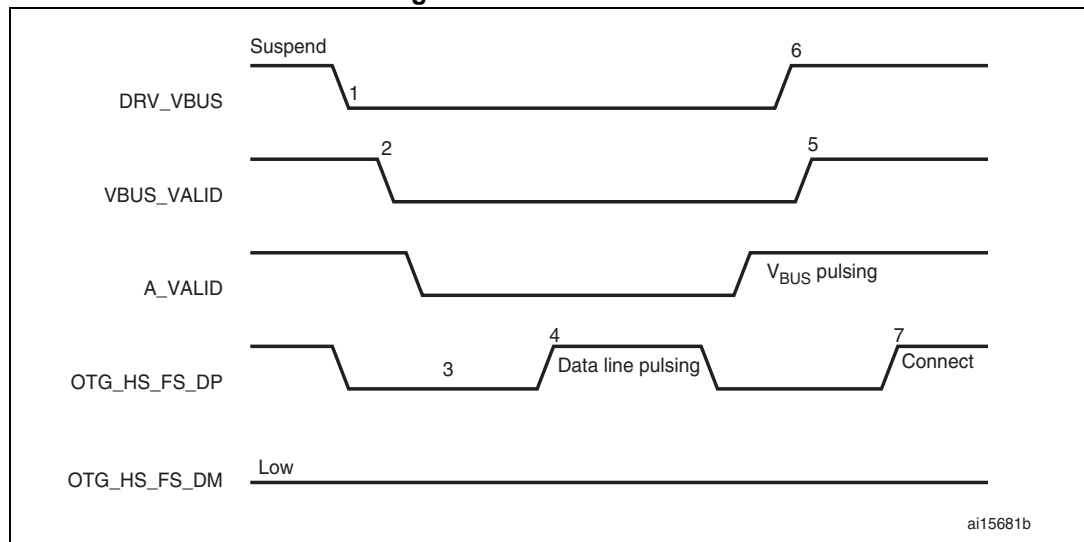
30.13.9 OTG programming model

The OTG_HS controller is an OTG device supporting HNP and SRP. When the core is connected to an “A” plug, it is referred to as an A-device. When the core is connected to a “B” plug it is referred to as a B-device. In host mode, the OTG_HS controller turns off V_{BUS} to conserve power. SRP is a method by which the B-device signals the A-device to turn on V_{BUS} power. A device must perform both data-line pulsing and V_{BUS} pulsing, but a host can detect either data-line pulsing or V_{BUS} pulsing for SRP. HNP is a method by which the B-device negotiates and switches to host role. In Negotiated mode after HNP, the B-device suspends the bus and reverts to the device role.

A-device session request protocol

The application must set the SRP-capable bit in the Core USB configuration register. This enables the OTG_HS controller to detect SRP as an A-device.

Figure 393. A-device SRP



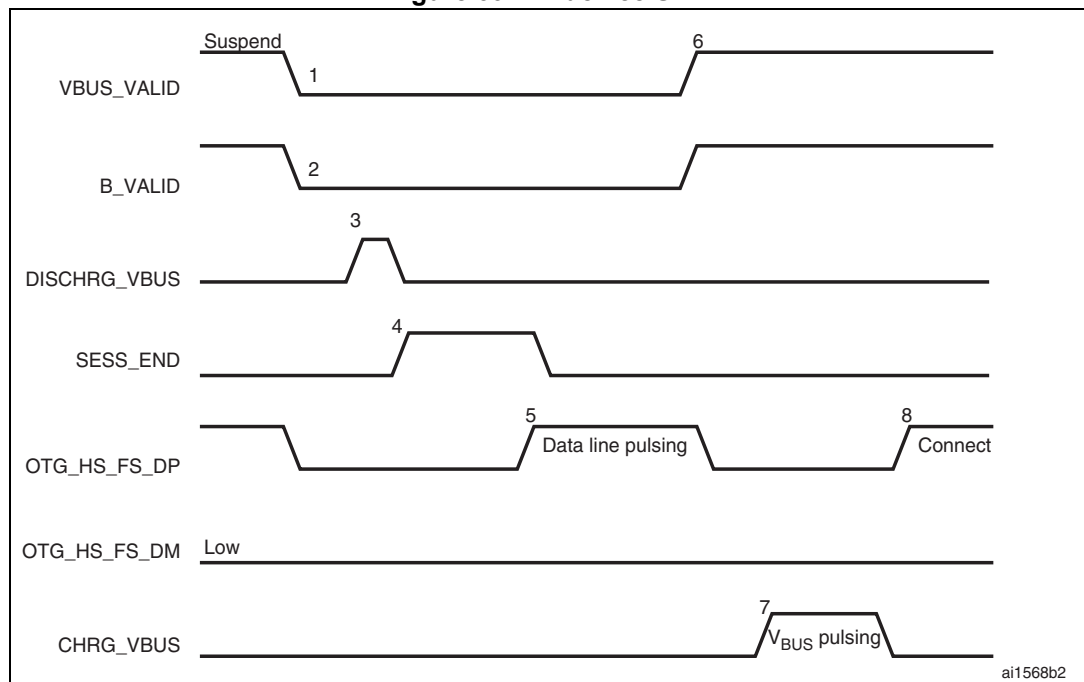
1. DRV_VBUS = V_{BUS} drive signal to the PHY
 VBUS_VALID = V_{BUS} valid signal from PHY
 A_VALID = A-device V_{BUS} level signal to PHY
 DP = Data plus line
 DM = Data minus line

1. To save power, the application suspends and turns off port power when the bus is idle by writing the port suspend and port power bits in the host port control and status register.
 2. PHY indicates port power off by deasserting the VBUS_VALID signal.
 3. The device must detect SE0 for at least 2 ms to start SRP when V_{BUS} power is off.
 4. To initiate SRP, the device turns on its data line pull-up resistor for 5 to 10 ms. The OTG_HS controller detects data-line pulsing.
 5. The device drives V_{BUS} above the A-device session valid (2.0 V minimum) for V_{BUS} pulsing.
- The OTG_HS controller interrupts the application on detecting SRP. The Session request detected bit is set in Global interrupt status register (SRQINT set in OTG_HS_GINTSTS).
6. The application must service the Session request detected interrupt and turn on the port power bit by writing the port power bit in the host port control and status register. The PHY indicates port power-on by asserting the VBUS_VALID signal.
 7. When the USB is powered, the device connects, completing the SRP process.

B-device session request protocol

The application must set the SRP-capable bit in the Core USB configuration register. This enables the OTG_HS controller to initiate SRP as a B-device. SRP is a means by which the OTG_HS controller can request a new session from the host.

Figure 394. B-device SRP



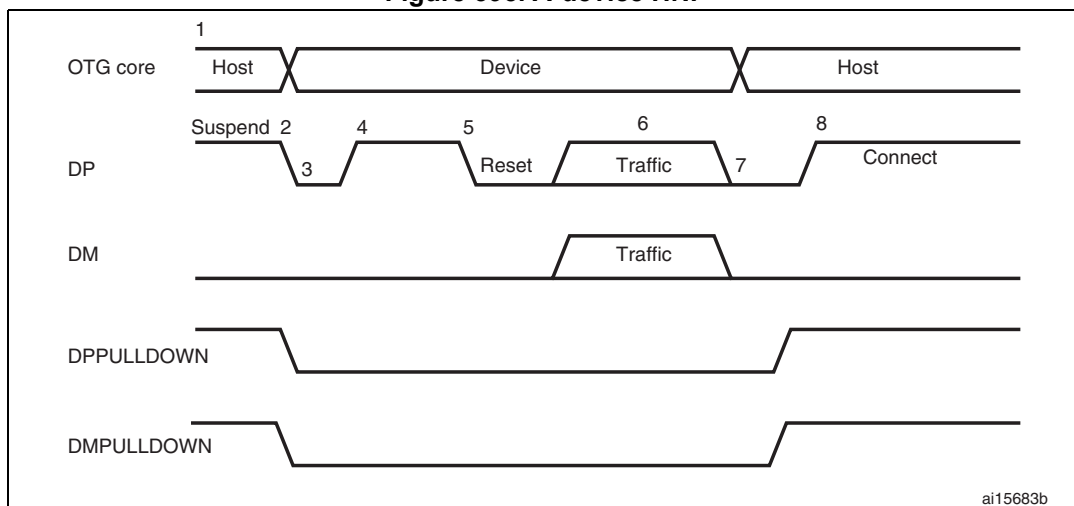
1. VBUS_VALID = V_{BUS} valid signal from PHY
- B_VALID = B-device valid session to PHY
- DISCHRG_VBUS = discharge signal to PHY
- SESS_END = session end signal to PHY
- CHRГ_VBUS = charge V_{BUS} signal to PHY
- DP = Data plus line
- DM = Data minus line

1. To save power, the host suspends and turns off port power when the bus is idle.
 The OTG_HS controller sets the early suspend bit in the Core interrupt register after 3 ms of bus idleness. Following this, the OTG_HS controller sets the USB suspend bit in the Core interrupt register.
 The OTG_HS controller informs the PHY to discharge V_{BUS} .
2. The PHY indicates the session's end to the device. This is the initial condition for SRP.
 The OTG_HS controller requires 2 ms of SE0 before initiating SRP.
 For a USB 1.1 full-speed serial transceiver, the application must wait until V_{BUS} discharges to 0.2 V after BSVLD (in OTG_HS_GOTGCTL) is deasserted. This discharge time can be obtained from the transceiver vendor and varies from one transceiver to another.
3. The USB OTG core informs the PHY to speed up V_{BUS} discharge.
4. The application initiates SRP by writing the session request bit in the OTG Control and status register. The OTG_HS controller perform data-line pulsing followed by V_{BUS} pulsing.
5. The host detects SRP from either the data-line or V_{BUS} pulsing, and turns on V_{BUS} .
 The PHY indicates V_{BUS} power-on to the device.
6. The OTG_HS controller performs V_{BUS} pulsing.
 The host starts a new session by turning on V_{BUS} , indicating SRP success. The OTG_HS controller interrupts the application by setting the session request success status change bit in the OTG interrupt status register. The application reads the session request success bit in the OTG control and status register.
7. When the USB is powered, the OTG_HS controller connects, completing the SRP process.

A-device host negotiation protocol

HNP switches the USB host role from the A-device to the B-device. The application must set the HNP-capable bit in the Core USB configuration register to enable the OTG_HS controller to perform HNP as an A-device.

Figure 395. A-device HNP



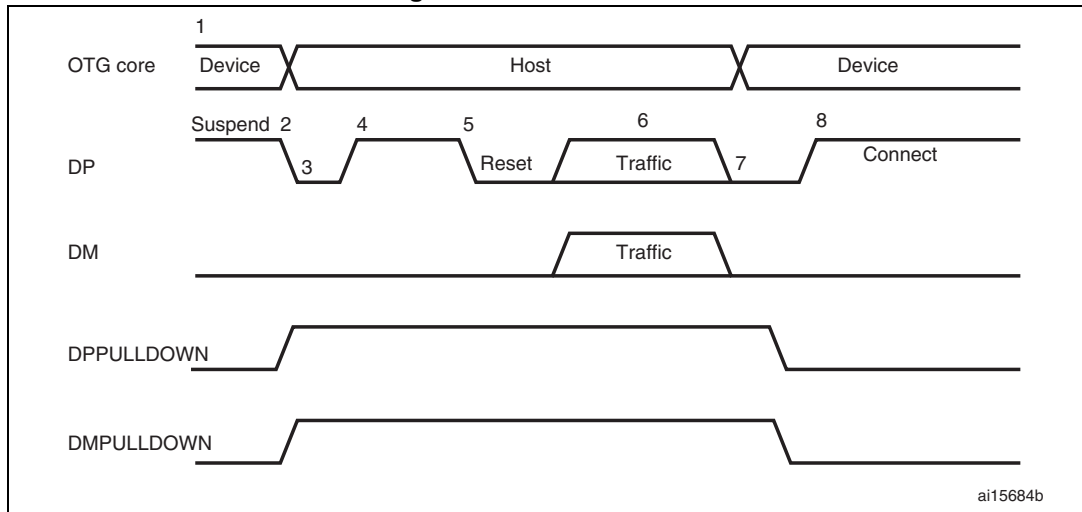
1. DPPULLDOWN = signal from core to PHY to enable/disable the pull-down on the DP line inside the PHY.
 DMPULLDOWN = signal from core to PHY to enable/disable the pull-down on the DM line inside the PHY.

1. The OTG_HS controller sends the B-device a SetFeature b_hnp_enable descriptor to enable HNP support. The B-device's ACK response indicates that the B-device supports HNP. The application must set host Set HNP Enable bit in the OTG Control and status register to indicate to the OTG_HS controller that the B-device supports HNP.
2. When it has finished using the bus, the application suspends by writing the Port suspend bit in the host port control and status register.
3. When the B-device observes a USB suspend, it disconnects, indicating the initial condition for HNP. The B-device initiates HNP only when it must switch to the host role; otherwise, the bus continues to be suspended.
The OTG_HS controller sets the host negotiation detected interrupt in the OTG interrupt status register, indicating the start of HNP.
The OTG_HS controller deasserts the DM pull down and DM pull down in the PHY to indicate a device role. The PHY enables the OTG_HS_DP pull-up resistor to indicate a connect for B-device.
The application must read the current mode bit in the OTG Control and status register to determine peripheral mode operation.
4. The B-device detects the connection, issues a USB reset, and enumerates the OTG_HS controller for data traffic.
5. The B-device continues the host role, initiating traffic, and suspends the bus when done.
The OTG_HS controller sets the early suspend bit in the Core interrupt register after 3 ms of bus idleness. Following this, the OTG_HS controller sets the USB Suspend bit in the Core interrupt register.
6. In Negotiated mode, the OTG_HS controller detects the suspend, disconnects, and switches back to the host role. The OTG_HS controller asserts the DM pull down and DM pull down in the PHY to indicate its assumption of the host role.
7. The OTG_HS controller sets the Connector ID status change interrupt in the OTG Interrupt Status register. The application must read the connector ID status in the OTG Control and Status register to determine the OTG_HS controller operation as an A-device. This indicates the completion of HNP to the application. The application must read the Current mode bit in the OTG control and status register to determine host mode operation.
8. The B-device connects, completing the HNP process.

B-device host negotiation protocol

HNP switches the USB host role from B-device to A-device. The application must set the HNP-capable bit in the Core USB configuration register to enable the OTG_HS controller to perform HNP as a B-device.

Figure 396. B-device HNP



1. DPPULLDOWN = signal from core to PHY to enable/disable the pull-down on the DP line inside the PHY. DMPULLDOWN = signal from core to PHY to enable/disable the pull-down on the DM line inside the PHY.
1. The A-device sends the SetFeature b_hnp_enable descriptor to enable HNP support. The OTG_HS controller's ACK response indicates that it supports HNP. The application must set the Device HNP enable bit in the OTG Control and status register to indicate HNP support.
The application sets the HNP request bit in the OTG Control and status register to indicate to the OTG_HS controller to initiate HNP.
2. When it has finished using the bus, the A-device suspends by writing the Port suspend bit in the host port control and status register.
The OTG_HS controller sets the Early suspend bit in the Core interrupt register after 3 ms of bus idleness. Following this, the OTG_HS controller sets the USB suspend bit in the Core interrupt register.
The OTG_HS controller disconnects and the A-device detects SE0 on the bus, indicating HNP. The OTG_HS controller asserts the DP pull down and DM pull down in the PHY to indicate its assumption of the host role.
The A-device responds by activating its OTG_HS_DP pull-up resistor within 3 ms of detecting SE0. The OTG_HS controller detects this as a connect.
The OTG_HS controller sets the host negotiation success status change interrupt in the OTG Interrupt status register, indicating the HNP status. The application must read the host negotiation success bit in the OTG Control and status register to determine

host negotiation success. The application must read the current Mode bit in the Core interrupt register (OTG_HS_GINTSTS) to determine host mode operation.

3. The application sets the reset bit (PRST in OTG_HS_HPRT) and the OTG_HS controller issues a USB reset and enumerates the A-device for data traffic.
4. The OTG_HS controller continues the host role of initiating traffic, and when done, suspends the bus by writing the Port suspend bit in the host port control and status register.
5. In Negotiated mode, when the A-device detects a suspend, it disconnects and switches back to the host role. The OTG_HS controller deasserts the DP pull down and DM pull down in the PHY to indicate the assumption of the device role.
6. The application must read the current mode bit in the Core interrupt (OTG_HS_GINTSTS) register to determine the host mode operation.
7. The OTG_HS controller connects, completing the HNP process.

31 Flexible static memory controller (FSMC)

This section applies to the whole STM32F20x and STM32F21x only.

31.1 FSMC main features

The FSMC block is able to interface with synchronous and asynchronous memories and 16-bit PC memory cards. Its main purpose is to:

- Translate the AHB transactions into the appropriate external device protocol
- Meet the access timing requirements of the external devices

All external memories share the addresses, data and control signals with the controller. Each external device is accessed by means of a unique chip select. The FSMC performs only one access at a time to an external device.

The FSMC has the following main features:

- Interfaces with static memory-mapped devices including:
 - Static random access memory (SRAM)
 - NOR/OneNAND flash memory
 - PSRAM (4 memory banks)
- Two banks of NAND flash with ECC hardware that checks up to 8 Kbytes of data
- 16-bit PC Card compatible devices
- Supports burst mode access to synchronous devices (NOR flash and PSRAM)
- 8- or 16-bit wide databus
- Independent chip select control for each memory bank
- Independent configuration for each memory bank
- Programmable timings to support a wide range of devices, in particular:
 - Programmable wait states (up to 15)
 - Programmable bus turnaround cycles (up to 15)
 - Programmable output enable and write enable delays (up to 15)
 - Independent read and write timings and protocol, so as to support the widest variety of memories and timings
- Write enable and byte lane select outputs for use with PSRAM and SRAM devices
- Translation of 32-bit wide AHB transactions into consecutive 16-bit or 8-bit accesses to external 16-bit or 8-bit devices
- A Write FIFO, 2-word long, each word is 32 bits wide, only stores data and not the address. Therefore, this FIFO only buffers AHB write burst transactions. This makes it possible to write to slow memories and free the AHB quickly for other operations. Only one burst at a time is buffered: if a new AHB burst or single transaction occurs while an operation is in progress, the FIFO is drained. The FSMC inserts wait states until the current memory access is complete.
- External asynchronous wait control

The FSMC registers that define the external device type and associated characteristics are usually set at boot time and do not change until the next reset or power-up. However, it is possible to change the settings at any time.

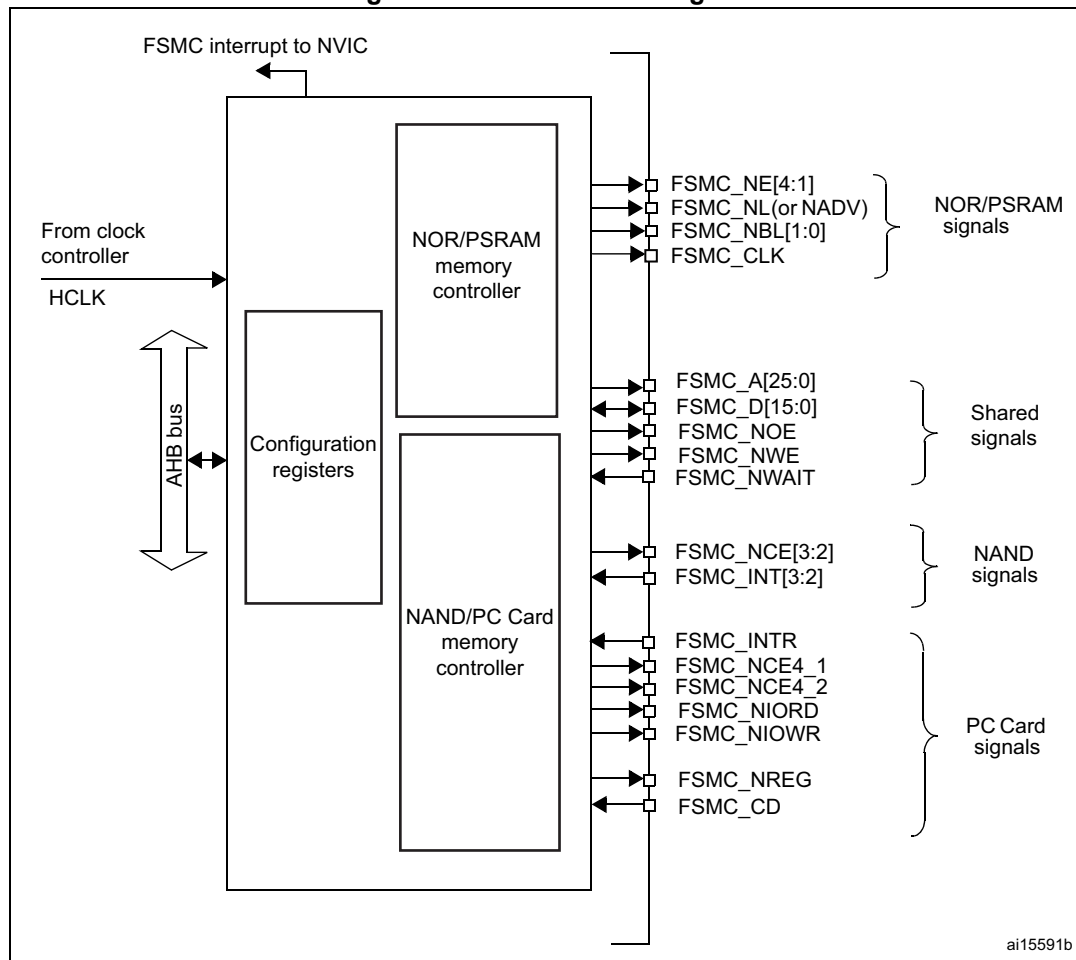
31.2 Block diagram

The FSMC consists of four main blocks:

- The AHB interface (including the FSMC configuration registers)
- The NOR flash/PSRAM controller
- The NAND flash/PC Card controller
- The external device interface

The block diagram is shown in [Figure 397](#).

Figure 397. FSMC block diagram



31.3 AHB interface

The AHB slave interface enables internal CPUs and other bus master peripherals to access the external static memories.

AHB transactions are translated into the external device protocol. In particular, if the selected external memory is 16 or 8 bits wide, 32-bit wide transactions on the AHB are split into consecutive 16- or 8-bit accesses. The FSMC Chip Select (FSMC_NEx) does not

toggle between consecutive accesses except when performing accesses in mode D with the extended mode enabled.

The FSMC generates an AHB error in the following conditions:

- When reading or writing to an FSMC bank which is not enabled
- When reading or writing to the NOR flash bank while the FACCEN bit is reset in the FSMC_BCRx register.
- When reading or writing to the PC Card banks while the input pin FSMC_CD (Card Presence Detection) is low.

The effect of this AHB error depends on the AHB master which has attempted the R/W access:

- If it is the Cortex[®]-M3 CPU, a hard fault interrupt is generated
- If it is a DMA, a DMA transfer error is generated and the corresponding DMA channel is automatically disabled.

The AHB clock (HCLK) is the reference clock for the FSMC.

31.3.1 Supported memories and transactions

General transaction rules

The requested AHB transaction data size can be 8-, 16- or 32-bit wide whereas the accessed external device has a fixed data width. This may lead to inconsistent transfers.

Therefore, some simple transaction rules must be followed:

- AHB transaction size and memory data size are equal
There is no issue in this case.
- AHB transaction size is greater than the memory size
In this case, the FSMC splits the AHB transaction into smaller consecutive memory accesses in order to meet the external data width.
- AHB transaction size is smaller than the memory size
Asynchronous transfers may or not be consistent depending on the type of external device.
 - Asynchronous accesses to devices that have the byte select feature (SRAM, ROM, PSRAM).
 - a) FSMC allows write transactions accessing the right data through its byte lanes NBL[1:0]
 - b) Read transactions are allowed. All memory bytes are read and the useless ones are discarded. The NBL[1:0] are kept low during read transactions.
 - Asynchronous accesses to devices that do not have the byte select feature (NOR and NAND flash 16-bit).
This situation occurs when a byte access is requested to a 16-bit wide flash memory. Clearly, the device cannot be accessed in byte mode (only 16-bit words can be read from/written to the flash memory) therefore:
 - a) Write transactions are not allowed
 - b) Read transactions are allowed. All memory bytes are read and the useless ones are discarded. The NBL[1:0] are set to 0 during read transactions.

Configuration registers

The FSMC can be configured using a register set. See [Section 31.5.6](#), for a detailed description of the NOR flash/PSRAM control registers. See [Section 31.6.8](#), for a detailed description of the NAND flash/PC Card registers.

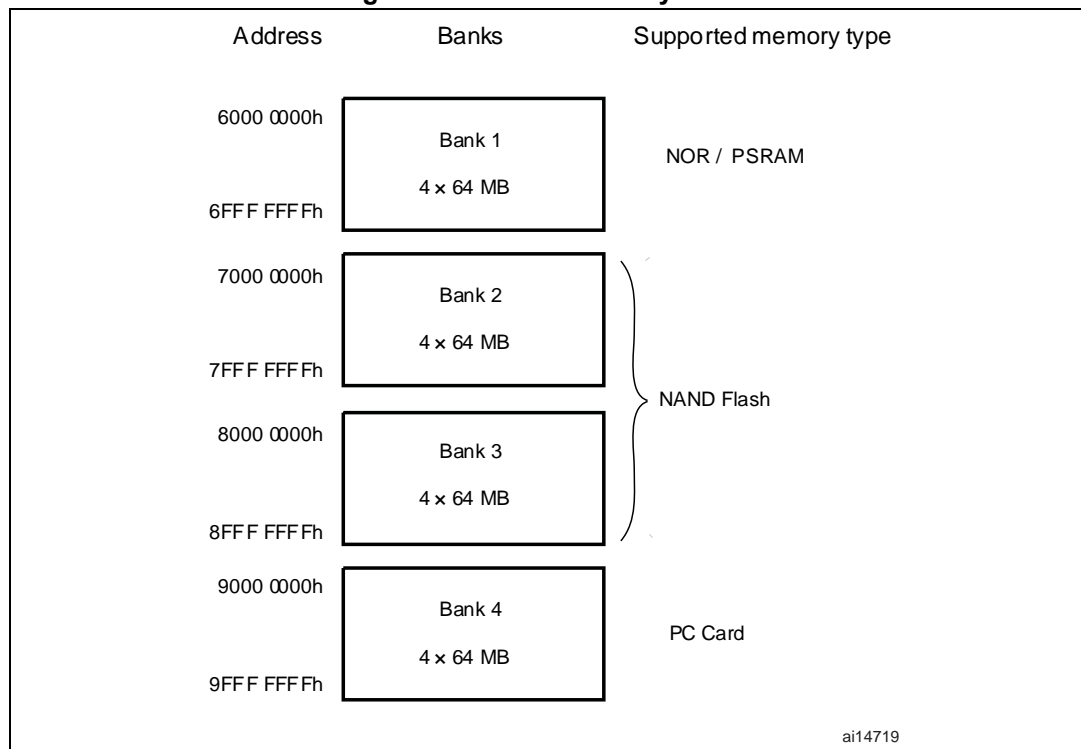
31.4 External device address mapping

From the FSMC point of view, the external memory is divided into 4 fixed-size banks of 256 Mbytes each (Refer to [Figure 398](#)):

- Bank 1 used to address up to four NOR flash or PSRAM memory devices. This bank is split into 4 NOR/PSRAM subbanks with four dedicated chip selects, as follows:
 - Bank 1 - NOR/PSRAM 1
 - Bank 1 - NOR/PSRAM 2
 - Bank 1 - NOR/PSRAM 3
 - Bank 1 - NOR/PSRAM 4
- Banks 2 and 3 used to address NAND flash devices (1 device per bank)
- Bank 4 used to address a PC Card device

For each bank the type of memory to be used is user-defined in the Configuration register.

Figure 398. FSMC memory banks



31.4.1 NOR/PSRAM address mapping

HADDR[27:26] bits are used to select one of the four memory banks as shown in [Table 169](#).

Table 169. NOR/PSRAM bank selection

HADDR[27:26] ⁽¹⁾	Selected bank
00	Bank 1 - NOR/PSRAM 1
01	Bank 1 - NOR/PSRAM 2
10	Bank 1 - NOR/PSRAM 3
11	Bank 1 - NOR/PSRAM 4

1. HADDR are internal AHB address lines that are translated to external memory.

HADDR[25:0] contain the external memory address. Since HADDR is a byte address whereas the memory is addressed in words, the address actually issued to the memory varies according to the memory data width, as shown in the following table.

Table 170. External memory address

Memory width ⁽¹⁾	Data address issued to the memory	Maximum memory capacity (bits)
8-bit	HADDR[25:0]	64 Mbyte x 8 = 512 Mbit
16-bit	HADDR[25:1] >> 1	64 Mbyte/2 x 16 = 512 Mbit

1. In case of a 16-bit external memory width, the FSMC internally uses HADDR[25:1] to generate the address for external memory FSMC_A[24:0]. Whatever the external memory width (16-bit or 8-bit), FSMC_A[0] should be connected to external memory address A[0].

Wrap support for NOR flash/PSRAM

Wrap burst mode for synchronous memories is not supported. The memories must be configured in linear burst mode of undefined length.

31.4.2 NAND/PC Card address mapping

In this case, three banks are available, each of them divided into memory spaces as indicated in [Table 171](#).

Table 171. Memory mapping and timing registers

Start address	End address	FSMC Bank	Memory space	Timing register
0x9C00 0000	0x9FFF FFFF	Bank 4 - PC card	I/O	FSMC_PIO4 (0xB0)
0x9800 0000	0x9BFF FFFF		Attribute	FSMC_PATT4 (0xAC)
0x9000 0000	0x93FF FFFF		Common	FSMC_PMEM4 (0xA8)
0x8800 0000	0x8BFF FFFF	Bank 3 - NAND flash	Attribute	FSMC_PATT3 (0x8C)
0x8000 0000	0x83FF FFFF		Common	FSMC_PMEM3 (0x88)
0x7800 0000	0x7BFF FFFF	Bank 2- NAND flash	Attribute	FSMC_PATT2 (0x6C)
0x7000 0000	0x73FF FFFF		Common	FSMC_PMEM2 (0x68)

For NAND flash memory, the common and attribute memory spaces are subdivided into three sections (see in [Table 172](#) below) located in the lower 256 Kbytes:

- Data section (first 64 Kbytes in the common/attribute memory space)
- Command section (second 64 Kbytes in the common / attribute memory space)
- Address section (next 128 Kbytes in the common / attribute memory space)

Table 172. NAND bank selections

Section name	HADDR[17:16]	Address range
Address section	1X	0x020000-0x03FFFF
Command section	01	0x010000-0x01FFFF
Data section	00	0x000000-0x0FFFFF

The application software uses the 3 sections to access the NAND flash memory:

- **To send a command to NAND flash memory:** the software must write the command value to any memory location in the command section.
- **To specify the NAND flash address that must be read or written:** the software must write the address value to any memory location in the address section. Since an address can be 4 or 5 bytes long (depending on the actual memory size), several consecutive writes to the address section are needed to specify the full address.
- **To read or write data:** the software reads or writes the data value from or to any memory location in the data section.

Since the NAND flash memory automatically increments addresses, there is no need to increment the address of the data section to access consecutive memory locations.

31.5 NOR flash/PSRAM controller

The FSMC generates the appropriate signal timings to drive the following types of memories:

- Asynchronous SRAM and ROM
 - 8-bit
 - 16-bit
 - 32-bit
- PSRAM (Cellular RAM)
 - Asynchronous mode
 - Burst mode for synchronous accesses
 - Multiplexed or nonmultiplexed
- NOR flash
 - Asynchronous mode
 - Burst mode for synchronous accesses
 - Multiplexed or nonmultiplexed

The FSMC outputs a unique chip select signal NE[4:1] per bank. All the other signals (addresses, data and control) are shared.

For synchronous accesses, the FSMC issues the clock (CLK) to the selected external device only during the read/write transactions. This clock is a submultiple of the HCLK clock. The size of each bank is fixed and equal to 64 Mbytes.

Each bank is configured by means of dedicated registers (see [Section 31.5.6](#)).

The programmable memory parameters include access timings (see [Table 173](#)) and support for wait management (for PSRAM and NOR flash accessed in burst mode).

Table 173. Programmable NOR/PSRAM access parameters

Parameter	Function	Access mode	Unit	Min.	Max.
Address setup	Duration of the address setup phase	Asynchronous	AHB clock cycle (HCLK)	0	15
Address hold	Duration of the address hold phase	Asynchronous, muxed I/Os	AHB clock cycle (HCLK)	1	15
Data setup	Duration of the data setup phase	Asynchronous	AHB clock cycle (HCLK)	1	256
Bus turn	Duration of the bus turnaround phase	Asynchronous and synchronous read/write	AHB clock cycle (HCLK)	0	15
Clock divide ratio	Number of AHB clock cycles (HCLK) to build one memory clock cycle (CLK)	Synchronous	AHB clock cycle (HCLK)	2	16
Data latency	Number of clock cycles to issue to the memory before the first data of the burst	Synchronous	Memory clock cycle (CLK)	2	17

31.5.1 External memory interface signals

[Table 174](#), [Table 175](#) and [Table 176](#) list the signals that are typically used to interface NOR flash, SRAM and PSRAM.

Note: Prefix "N" specifies the associated signal as active low.

NOR flash, nonmultiplexed I/Os

Table 174. Nonmultiplexed I/O NOR flash

FSMC signal name	I/O	Function
CLK	O	Clock (for synchronous access)
A[25:0]	O	Address bus
D[15:0]	I/O	Bidirectional data bus
NE[x]	O	Chip select, x = 1..4
NOE	O	Output enable
NWE	O	Write enable
NL(=NADV)	O	Latch enable (this signal is called address valid, NADV, by some NOR flash devices)
NWAIT	I	NOR flash wait input signal to the FSMC

NOR flash memories are addressed in 16-bit words. The maximum capacity is 512 Mbit (26 address lines).

NOR flash, multiplexed I/Os

Table 175. Multiplexed I/O NOR flash

FSMC signal name	I/O	Function
CLK	O	Clock (for synchronous access)
A[25:16]	O	Address bus
AD[15:0]	I/O	16-bit multiplexed, bidirectional address/data bus
NE[x]	O	Chip select, x = 1..4
NOE	O	Output enable
NWE	O	Write enable
NL(=NADV)	O	Latch enable (this signal is called address valid, NADV, by some NOR flash devices)
NWAIT	I	NOR flash wait input signal to the FSMC

NOR-flash memories are addressed in 16-bit words. The maximum capacity is 512 Mbit (26 address lines).

PSRAM/SRAM, nonmultiplexed I/Os

Table 176. Nonmultiplexed I/Os PSRAM/SRAM

FSMC signal name	I/O	Function
CLK	O	Clock (only for PSRAM synchronous access)
A[25:0]	O	Address bus
D[15:0]	I/O	Data bidirectional bus
NE[x]	O	Chip select, x = 1..4 (called NCE by PSRAM (Cellular RAM i.e. CRAM))
NOE	O	Output enable
NWE	O	Write enable
NL(= NADV)	O	Address valid only for PSRAM input (memory signal name: NADV)
NWAIT	I	PSRAM wait input signal to the FSMC
NBL[1]	O	Upper byte enable (memory signal name: NUB)
NBL[0]	O	Low byte enable (memory signal name: NLB)

PSRAM memories are addressed in 16-bit words. The maximum capacity is 512 Mbit (26 address lines).

PSRAM, multiplexed I/Os

Table 177. Multiplexed I/O PSRAM

FSMC signal name	I/O	Function
CLK	O	Clock (for synchronous access)
A[25:16]	O	Address bus
AD[15:0]	I/O	16-bit multiplexed, bidirectional address/data bus
NE[x]	O	Chip select, x = 1..4 (called NCE by PSRAM (Cellular RAM i.e. CRAM))
NOE	O	Output enable
NWE	O	Write enable
NL(= NADV)	O	Address valid PSRAM input (memory signal name: NADV)
NWAIT	I	PSRAM wait input signal to the FSMC
NBL[1]	O	Upper byte enable (memory signal name: NUB)
NBL[0]	O	Lowed byte enable (memory signal name: NLB)

PSRAM memories are addressed in 16-bit words. The maximum capacity is 512 Mbit (26 address lines).

31.5.2 Supported memories and transactions

[Table 178](#) below displays an example of the supported devices, access modes and transactions when the memory data bus is 16-bit for NOR, PSRAM and SRAM. Transactions not allowed (or not supported) by the FSMC in this example appear in gray.

Table 178. NOR flash/PSRAM controller: example of supported memories and transactions

Device	Mode	R/W	AHB data size	Memory data size	Allowed/ not allowed	Comments
NOR flash (muxed I/Os and nonmuxed I/Os)	Asynchronous	R	8	16	Y	-
	Asynchronous	W	8	16	N	-
	Asynchronous	R	16	16	Y	-
	Asynchronous	W	16	16	Y	-
	Asynchronous	R	32	16	Y	Split into two FSMC accesses
	Asynchronous	W	32	16	Y	Split into two FSMC accesses
	Asynchronous page	R	-	16	N	Mode is not supported
	Synchronous	R	8	16	N	-
	Synchronous	R	16	16	Y	-
	Synchronous	R	32	16	Y	-

Table 178. NOR flash/PSRAM controller: example of supported memories and transactions

Device	Mode	R/W	AHB data size	Memory data size	Allowed/ not allowed	Comments
PSRAM (multiplexed and nonmultiplexed I/Os)	Asynchronous	R	8	16	Y	-
	Asynchronous	W	8	16	Y	Use of byte lanes NBL[1:0]
	Asynchronous	R	16	16	Y	-
	Asynchronous	W	16	16	Y	-
	Asynchronous	R	32	16	Y	Split into two FSMC accesses
	Asynchronous	W	32	16	Y	Split into two FSMC accesses
	Asynchronous page	R	-	16	N	Mode is not supported
	Synchronous	R	8	16	N	-
	Synchronous	R	16	16	Y	-
	Synchronous	R	32	16	Y	-
	Synchronous	W	8	16	Y	Use of byte lanes NBL[1:0]
	Synchronous	W	16 / 32	16	Y	-
SRAM and ROM	Asynchronous	R	8 / 16	16	Y	-
	Asynchronous	W	8 / 16	16	Y	Use of byte lanes NBL[1:0]
	Asynchronous	R	32	16	Y	Split into two FSMC accesses
	Asynchronous	W	32	16	Y	Split into two FSMC accesses. Use of byte lanes NBL[1:0]

31.5.3 General timing rules

Signals synchronization

- All controller output signals change on the rising edge of the internal clock (HCLK)
- In synchronous mode (read or write), all output signals change on the rising edge of HCLK. Whatever the CLKDIV value, all outputs change as follows:
 - NOEL/NWEL/ NEL/NADVL/ NADVH /NBLL/ Address valid outputs change on the falling edge of FSMC_CLK clock.
 - NOEH/ NWEH / NEH/ NOEH/NBLH/ Address invalid outputs change on the rising edge of FSMC_CLK clock.

31.5.4 NOR flash/PSRAM controller asynchronous transactions

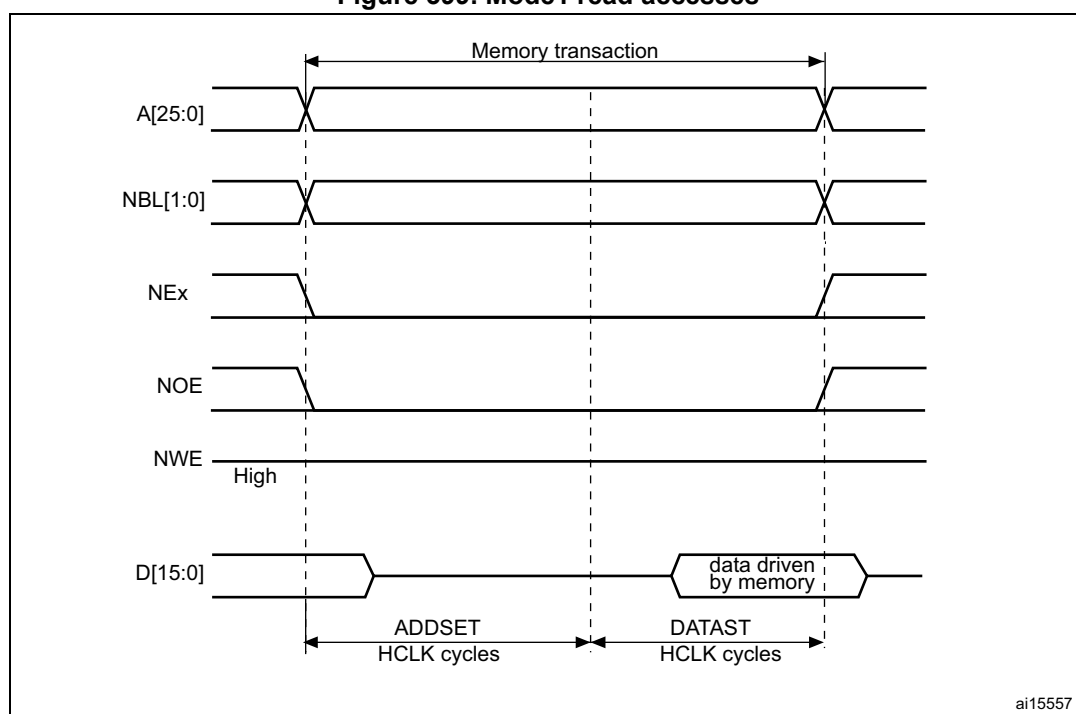
Asynchronous static memories (NOR flash memory, PSRAM, SRAM)

- Signals are synchronized by the internal clock HCLK. This clock is not issued to the memory
- The FSMC always samples the data before de-asserting the NOE signals. This guarantees that the memory data-hold timing constraint is met (chip enable high to data transition, usually 0 ns min.)
- If the extended mode is enabled (EXTMOD bit is set in the FSMC_BCRx register), up to four extended modes (A, B, C and D) are available. It is possible to mix A, B, C and D modes for read and write operations. For example, read operation can be performed in mode A and write in mode B.
- If the extended mode is disabled (EXTMOD bit is reset in the FSMC_BCRx register), the FSMC can operate in Mode1 or Mode2 as follows:
 - Mode 1 is the default mode when SRAM/PSRAM memory type is selected (MTYP[0:1] = 0x0 or 0x01 in the FSMC_BCRx register)
 - Mode 2 is the default mode when NOR memory type is selected (MTYP[0:1] = 0x10 in the FSMC_BCRx register).

Mode 1 - SRAM/PSRAM (CRAM)

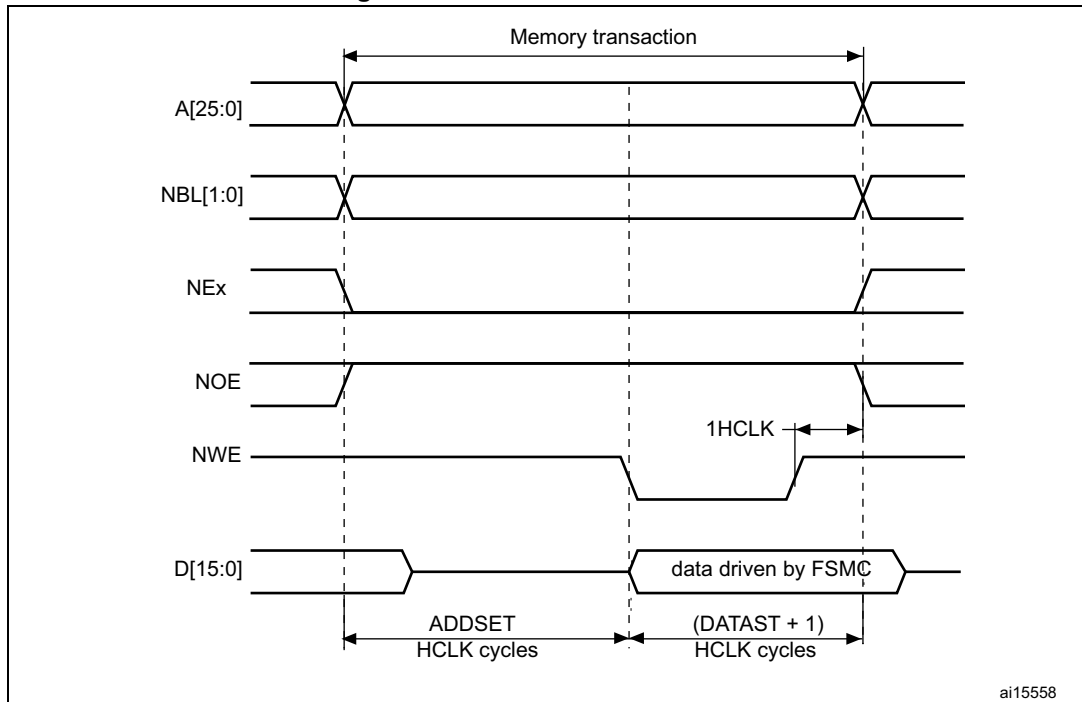
The next figures show the read and write transactions for the supported modes followed by the required configuration of FSMC_BCRx, and FSMC_BTRx/FSMC_BWTRx registers.

Figure 399. Mode1 read accesses



1. NBL[1:0] are driven low during read access.

Figure 400. Mode1 write accesses



The one HCLK cycle at the end of the write transaction helps guarantee the address and data hold time after the NWE rising edge. Due to the presence of this one HCLK cycle, the DATAST value must be greater than zero (DATAST > 0).

Table 179. FSMC_BCRx bit fields

Bit number	Bit name	Value to set
31-20	Reserved	0x000
19	CBURSTRW	0x0 (no effect on asynchronous mode)
18:16	CPSIZE	0x0 (no effect on asynchronous mode)
15	ASYNCWAIT	Set to 1 if the memory supports this feature. Otherwise keep at 0.
14	EXTMOD	0x0
13	WAITEN	0x0 (no effect on asynchronous mode)
12	WREN	As needed
11	WAITCFG	Don't care
10	WRAPMOD	0x0
9	WAITPOL	Meaningful only if bit 15 is 1
8	BURSTEN	0x0
7	Reserved	0x1
6	FACCEN	Don't care
5-4	MWID	As needed
3-2	MTYP[0:1]	As needed, exclude 0x2 (NOR flash)

Table 179. FSMC_BCRx bit fields (continued)

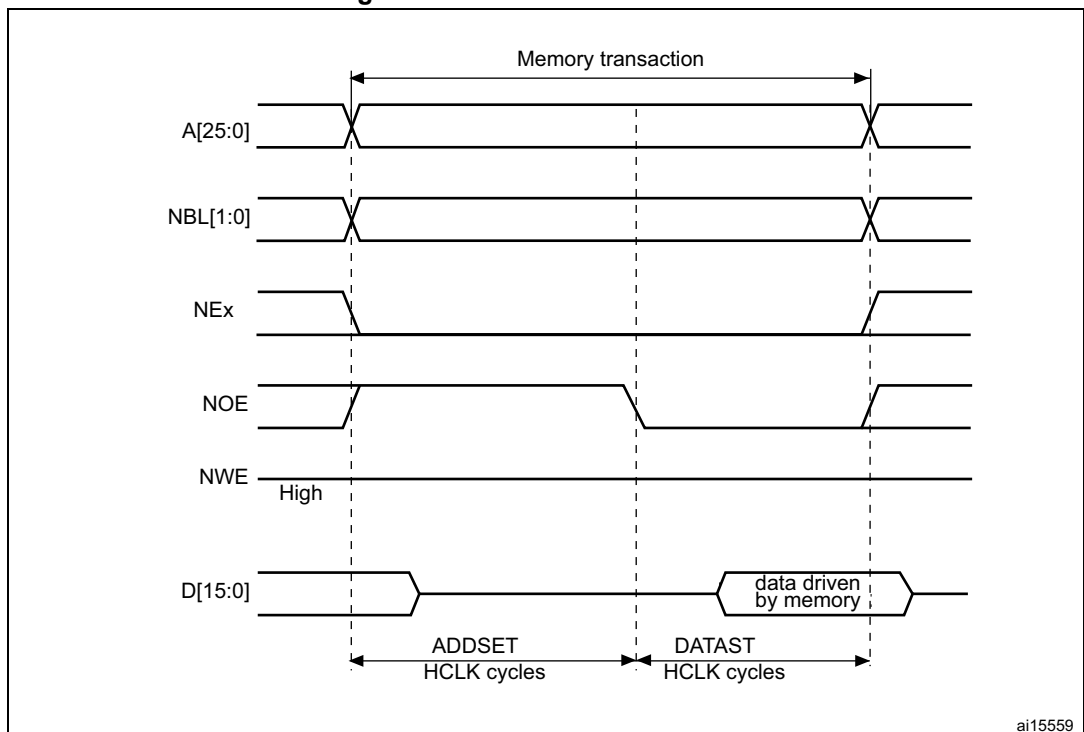
Bit number	Bit name	Value to set
1	MUXE	0x0
0	MBKEN	0x1

Table 180. FSMC_BTRx bit fields

Bit number	Bit name	Value to set
31:30	Reserved	0x0
29-28	ACCMOD	Don't care
27-24	DATLAT	Don't care
23-20	CLKDIV	Don't care
19-16	BUSTURN	Time between NEx high to NEx low (BUSTURN HCLK)
15-8	DATAST	Duration of the second access phase (DATAST+1 HCLK cycles for write accesses, DATAST HCLK cycles for read accesses).
7-4	ADDHLD	Don't care
3-0	ADDSET[3:0]	Duration of the first access phase (ADDSET HCLK cycles). Minimum value for ADDSET is 0.

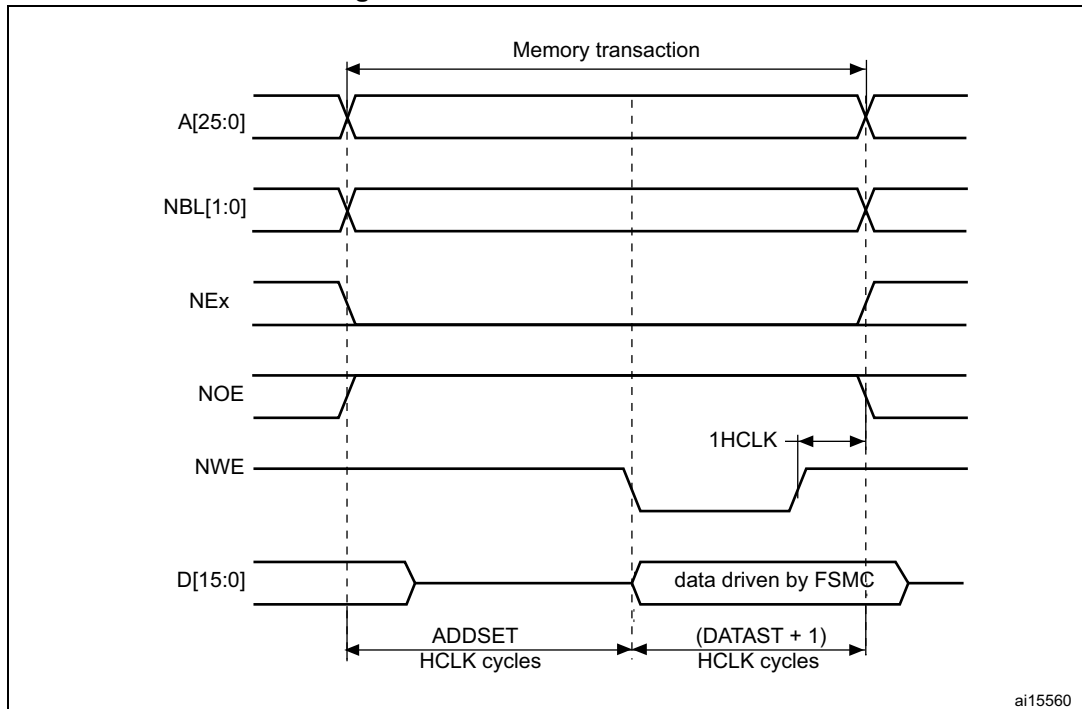
Mode A - SRAM/PSRAM (CRAM) OE toggling

Figure 401. ModeA read accesses



1. NBL[1:0] are driven low during read access.

Figure 402. ModeA write accesses



The differences compared with mode1 are the toggling of NOE and the independent read and write timings.

Table 181. FSMC_BCRx bit fields

Bit number	Bit name	Value to set
31-20	Reserved	0x000
19	CBURSTRW	0x0 (no effect on asynchronous mode)
18:16	CPSIZE	0x0 (no effect on asynchronous mode)
15	ASYNCWAIT	Set to 1 if the memory supports this feature. Otherwise keep at 0.
14	EXTMOD	0x1
13	WAITEN	0x0 (no effect on asynchronous mode)
12	WREN	As needed
11	WAITCFG	Don't care
10	WRAPMOD	0x0
9	WAITPOL	Meaningful only if bit 15 is 1
8	BURSTEN	0x0
7	Reserved	0x1
6	FACCEN	Don't care
5-4	MWID	As needed
3-2	MTYP[0:1]	As needed, exclude 0x2 (NOR flash)

Table 181. FSMC_BCRx bit fields (continued)

Bit number	Bit name	Value to set
1	MUXEN	0x0
0	MBKEN	0x1

Table 182. FSMC_BTRx bit fields

Bit number	Bit name	Value to set
31:30	Reserved	0x0
29-28	ACCMOD	0x0
27-24	DATLAT	Don't care
23-20	CLKDIV	Don't care
19-16	BUSTURN	Time between NEx high to NEx low (BUSTURN HCLK)
15-8	DATAST	Duration of the second access phase (DATAST HCLK cycles) for read accesses.
7-4	ADDHLD	Don't care
3-0	ADDSET[3:0]	Duration of the first access phase (ADDSET HCLK cycles) for read accesses. Minimum value for ADDSET is 0.

Table 183. FSMC_BWTRx bit fields

Bit number	Bit name	Value to set
31:30	Reserved	0x0
29-28	ACCMOD	0x0
27-24	DATLAT	Don't care
23-20	CLKDIV	Don't care
19-16	BUSTURN	Time between NEx high to NEx low (BUSTURN HCLK)
15-8	DATAST	Duration of the second access phase (DATAST+1 HCLK cycles) for write accesses,
7-4	ADDHLD	Don't care
3-0	ADDSET[3:0]	Duration of the first access phase (ADDSET HCLK cycles) for write accesses. Minimum value for ADDSET is 0.

Mode 2/B - NOR flash

Figure 403. Mode2 and mode B read accesses

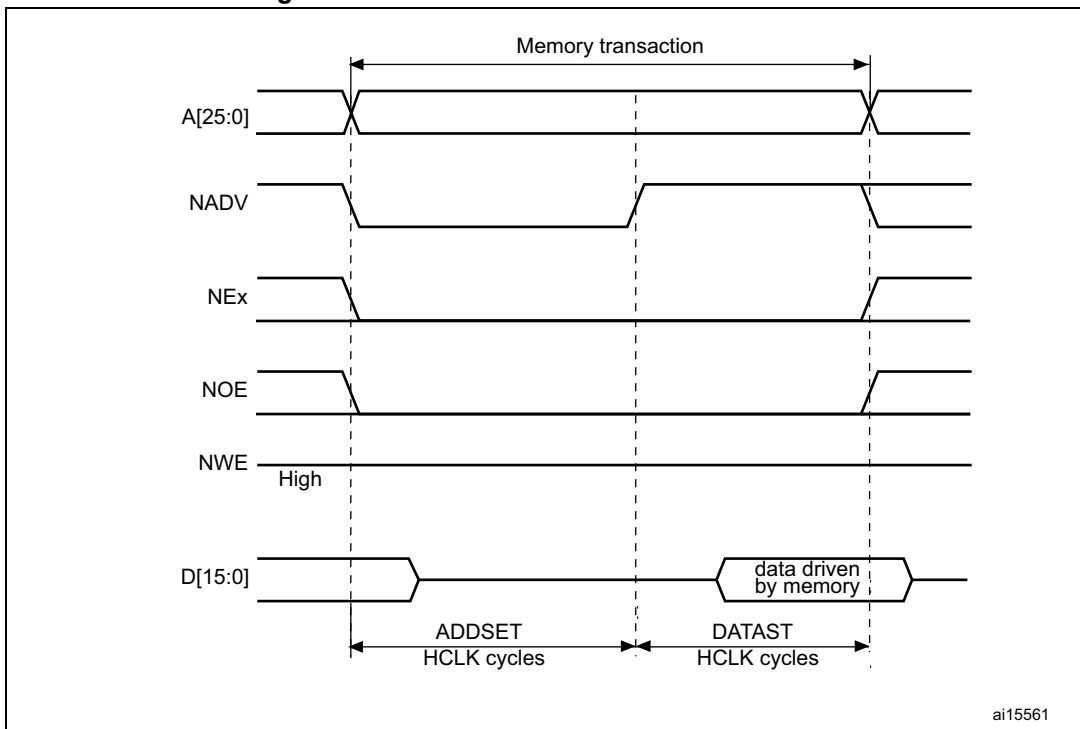


Figure 404. Mode2 write accesses

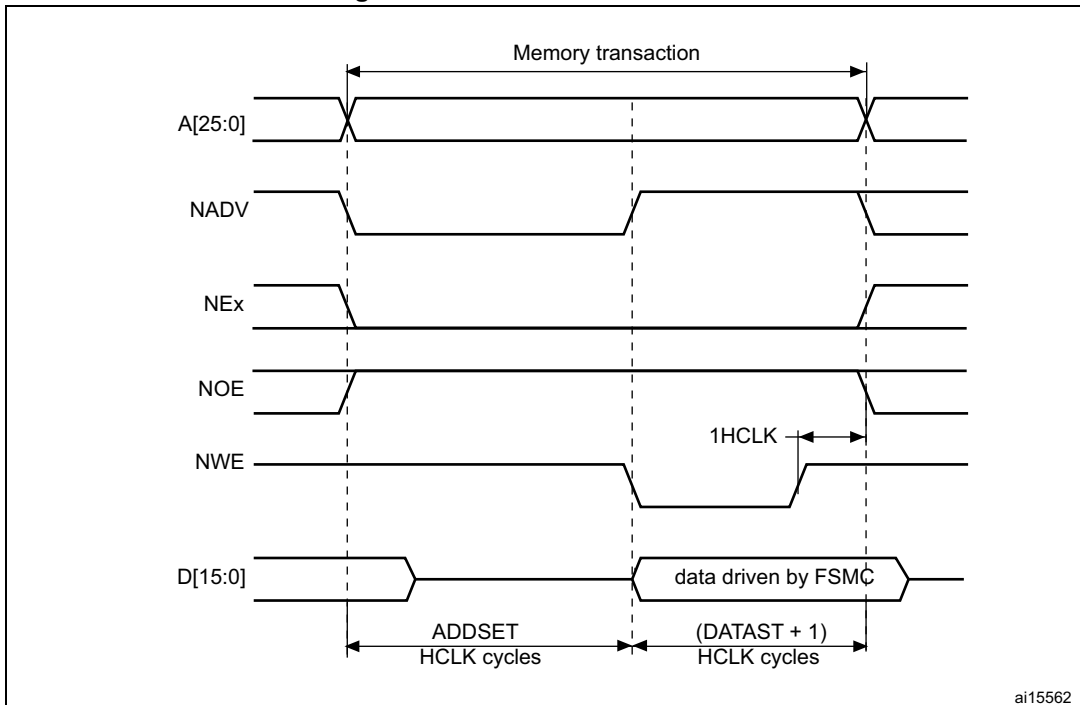
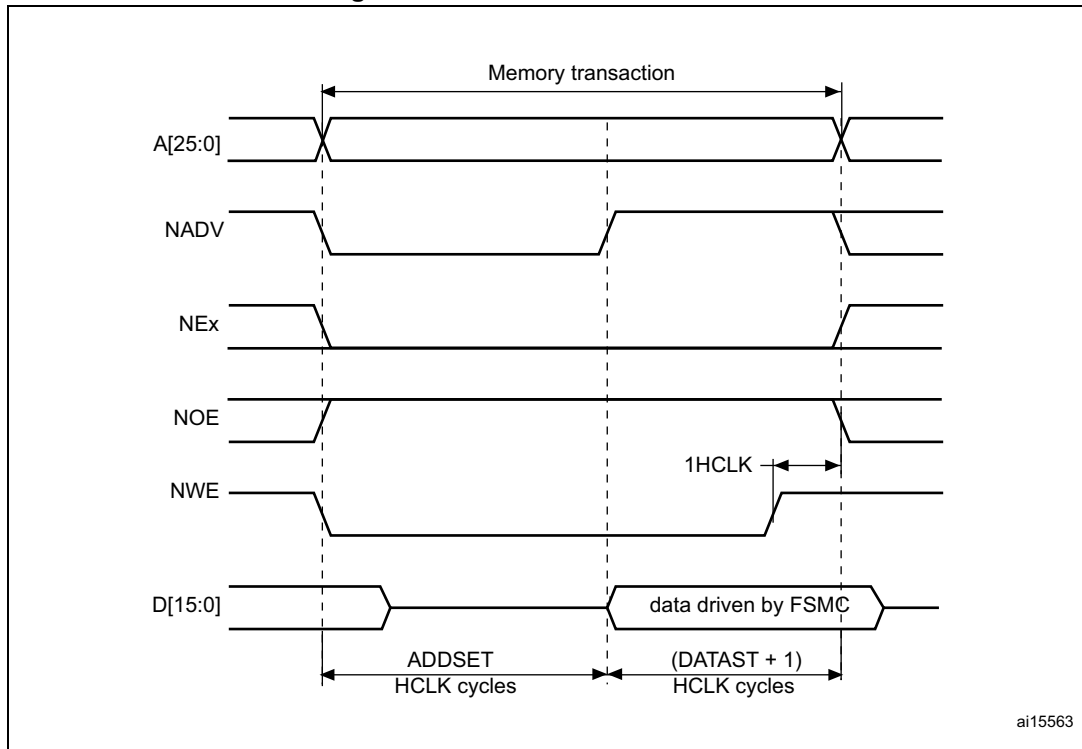


Figure 405. Mode B write accesses



The differences with mode1 are the toggling of NWE and the independent read and write timings when extended mode is set (Mode B).

Table 184. FSMC_BCRx bit fields

Bit number	Bit name	Value to set
31-20	Reserved	0x000
19	CBURSTRW	0x0 (no effect on asynchronous mode)
18:16	Reserved	0x0 (no effect on asynchronous mode)
15	ASYNCAWAIT	Set to 1 if the memory supports this feature. Otherwise keep at 0.
14	EXTMOD	0x1 for mode B, 0x0 for mode 2
13	WAITEN	0x0 (no effect on asynchronous mode)
12	WREN	As needed
11	WAITCFG	Don't care
10	WRAPMOD	0x0
9	WAITPOL	Meaningful only if bit 15 is 1
8	BURSTEN	0x0
7	Reserved	0x1
6	FACCEN	0x1
5-4	MWID	As needed

Table 184. FSMC_BCRx bit fields (continued)

Bit number	Bit name	Value to set
3-2	MTYP[0:1]	0x2 (NOR flash memory)
1	MUXEN	0x0
0	MBKEN	0x1

Table 185. FSMC_BTRx bit fields

Bit number	Bit name	Value to set
31:30	Reserved	0x0
29-28	ACCMOD	0x1
27-24	DATLAT	Don't care
23-20	CLKDIV	Don't care
19-16	BUSTURN	Time between NEx high to NEx low (BUSTURN HCLK)
15-8	DATAST	Duration of the second access phase (DATAST HCLK cycles) for read accesses.
7-4	ADDHLD	Don't care
3-0	ADDSET[3:0]	Duration of the first access phase (ADDSET HCLK cycles) for read accesses. Minimum value for ADDSET is 0.

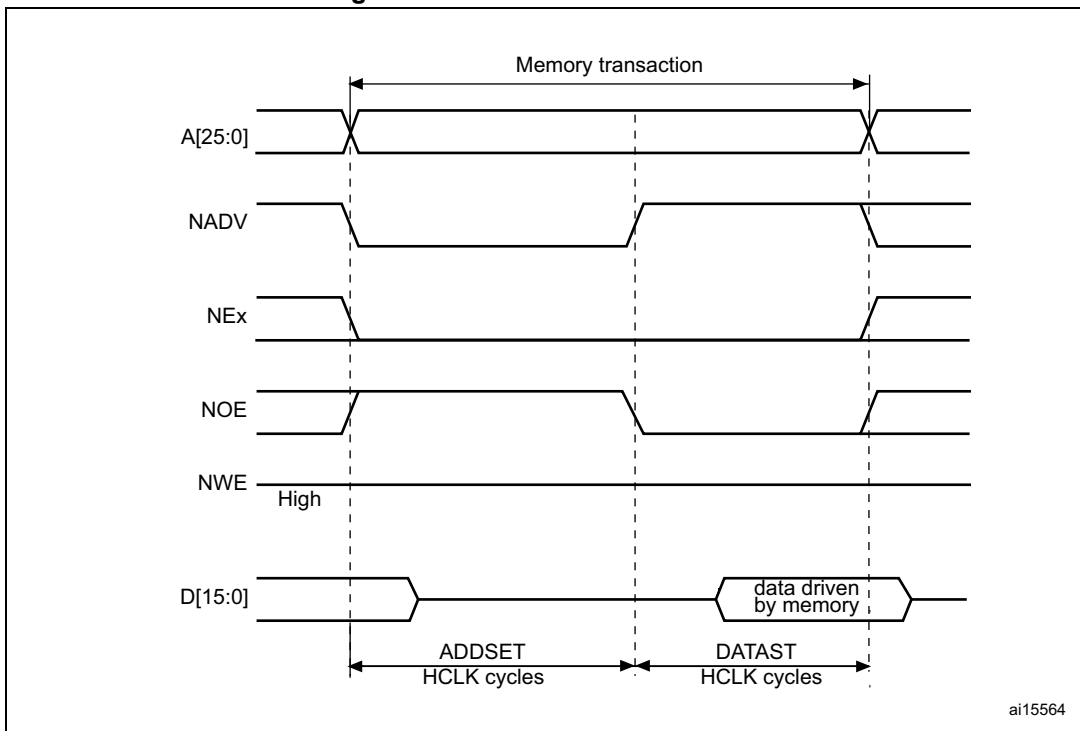
Table 186. FSMC_BWTRx bit fields

Bit number	Bit name	Value to set
31:30	Reserved	0x0
29-28	ACCMOD	0x1
27-24	DATLAT	Don't care
23-20	CLKDIV	Don't care
19-16	BUSTURN	Time between NEx high to NEx low (BUSTURN HCLK)
15-8	DATAST	Duration of the second access phase (DATAST+1 HCLK cycles for write accesses,
7-4	ADDHLD	Don't care
3-0	ADDSET[3:0]	Duration of the first access phase (ADDSET HCLK cycles) for write accesses. Minimum value for ADDSET is 0.

Note: The FSMC_BWTRx register is valid only if extended mode is set (mode B), otherwise all its content is don't care.

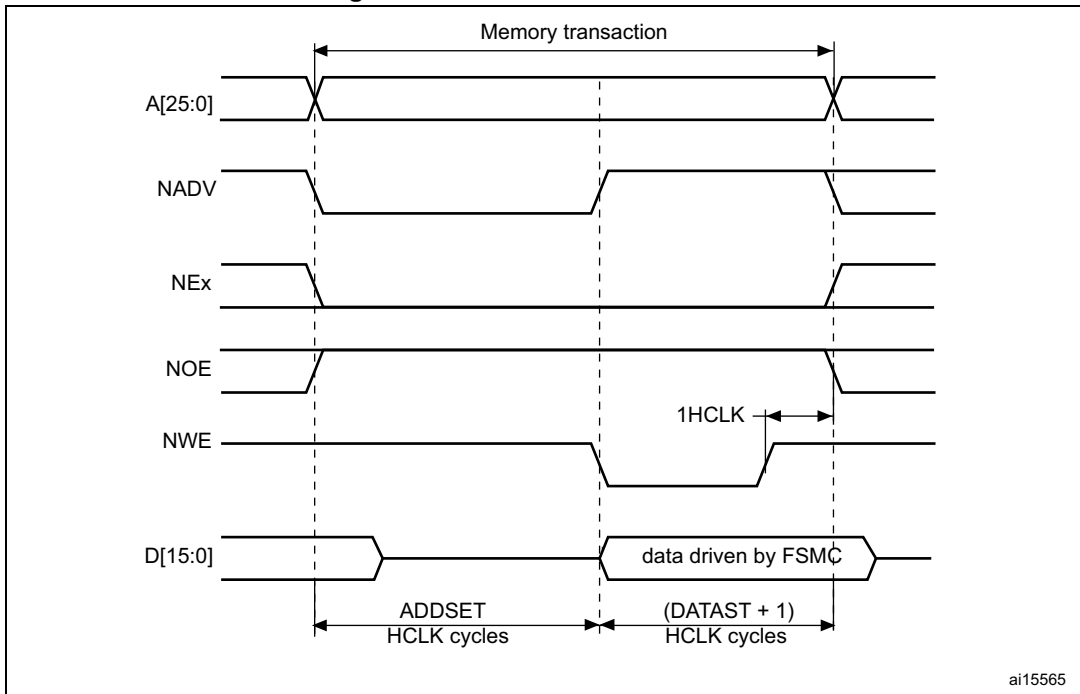
Mode C - NOR flash - OE toggling

Figure 406. Mode C read accesses



ai15564

Figure 407. Mode C write accesses



ai15565

The differences compared with mode1 are the toggling of NOE and the independent read and write timings.

Table 187. FSMC_BCRx bit fields

Bit No.	Bit name	Value to set
31-20	Reserved	0x000
19	CBURSTRW	0x0 (no effect on asynchronous mode)
18:16	CPSIZE	0x0 (no effect on asynchronous mode)
15	ASYNCWAIT	Set to 1 if the memory supports this feature. Otherwise keep at 0.
14	EXTMOD	0x1
13	WAITEN	0x0 (no effect on asynchronous mode)
12	WREN	As needed
11	WAITCFG	Don't care
10	WRAPMOD	0x0
9	WAITPOL	Meaningful only if bit 15 is 1
8	BURSTEN	0x0
7	Reserved	0x1
6	FACCEN	0x1
5-4	MWID	As needed
3-2	MTYP[0:1]	0x2 (NOR flash memory)
1	MUXEN	0x0
0	MBKEN	0x1

Table 188. FSMC_BTRx bit fields

Bit number	Bit name	Value to set
31:30	Reserved	0x0
29-28	ACCMOD	0x2
27-24	DATLAT	0x0
23-20	CLKDIV	0x0
19-16	BUSTURN	Time between NEx high to NEx low (BUSTURN HCLK)
15-8	DATAST	Duration of the second access phase (DATAST HCLK cycles) for read accesses.
7-4	ADDHLD	Don't care
3-0	ADDSET[3:0]	Duration of the first access phase (ADDSET HCLK cycles) for read accesses. Minimum value for ADDSET is 0.

Table 189. FSMC_BWTRx bit fields

Bit number	Bit name	Value to set
31:30	Reserved	0x0
29-28	ACCMOD	0x2
27-24	DATLAT	Don't care
23-20	CLKDIV	Don't care
19-16	BUSTURN	Time between NEx high to NEx low (BUSTURN HCLK)
15-8	DATAST	Duration of the second access phase (DATAST+1 HCLK cycles for write accesses,
7-4	ADDHLD	Don't care
3-0	ADDSET[3:0]	Duration of the first access phase (ADDSET HCLK cycles) for write accesses. Minimum value for ADDSET is 0.

Mode D - asynchronous access with extended address

Figure 408. Mode D read accesses

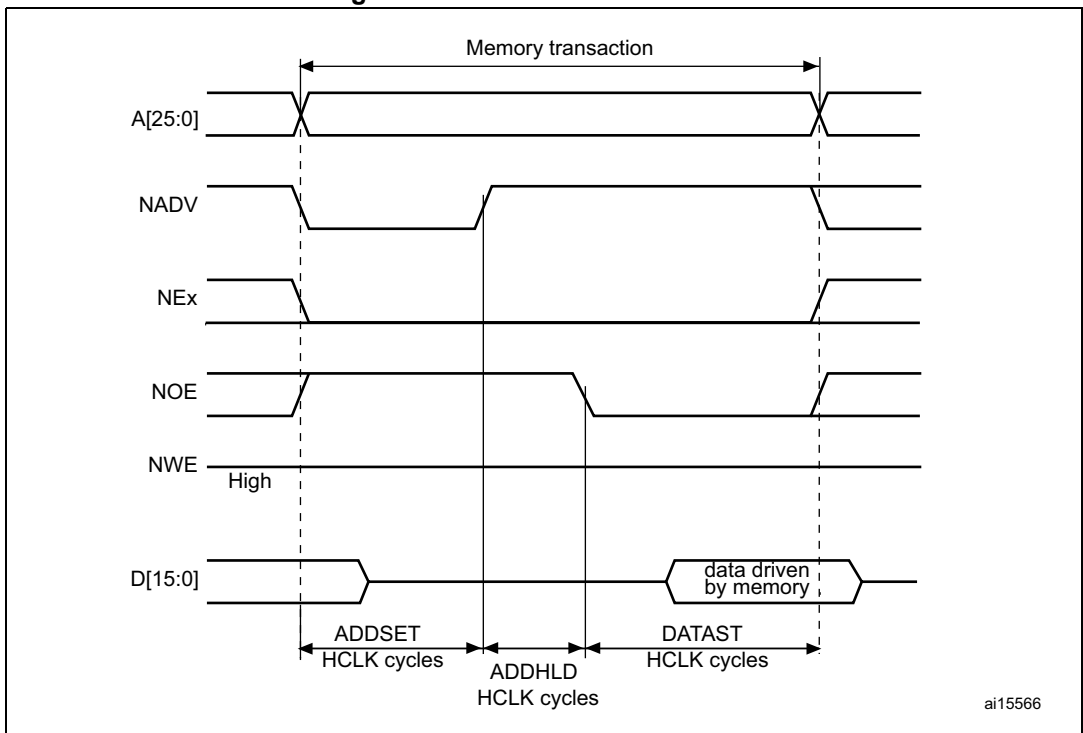
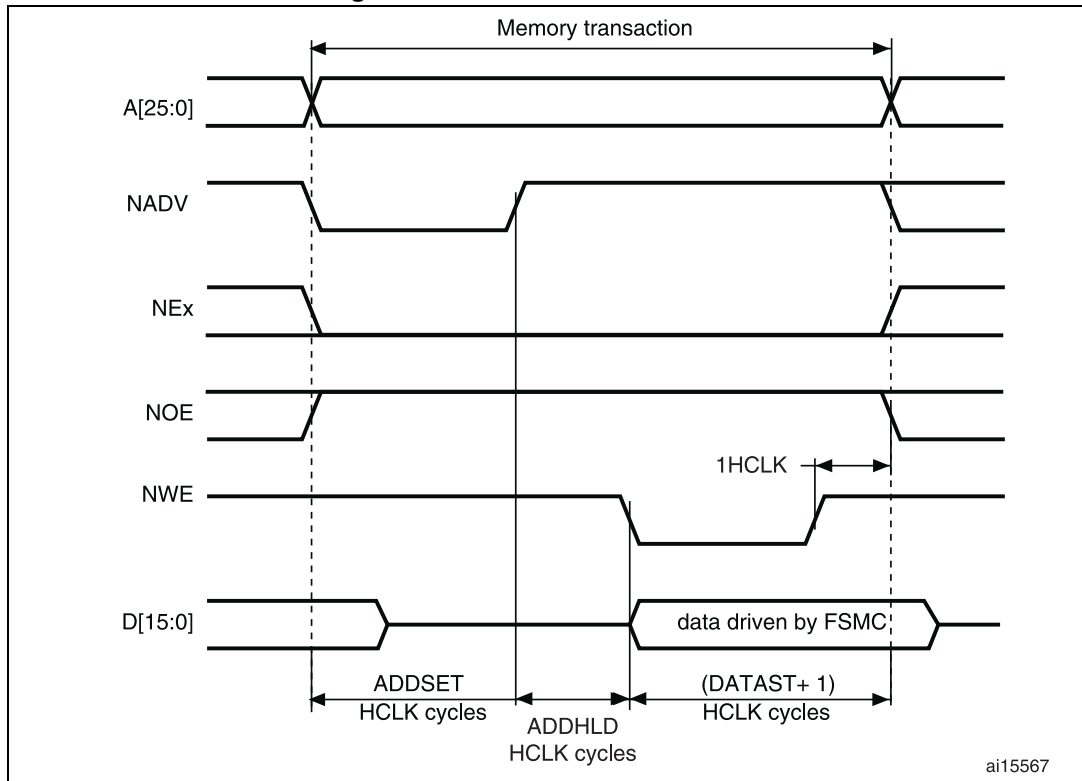


Figure 409. Mode D write accesses



The differences with mode1 are the toggling of NOE that goes on toggling after NADV changes and the independent read and write timings.

Table 190. FSMC_BCRx bit fields

Bit No.	Bit name	Value to set
31-20	Reserved	0x000
19	CBURSTRW	0x0 (no effect on asynchronous mode)
18:16	CPSIZE	0x0 (no effect on asynchronous mode)
15	ASYNCWAIT	Set to 1 if the memory supports this feature. Otherwise keep at 0.
14	EXTMOD	0x1
13	WAITEN	0x0 (no effect on asynchronous mode)
12	WREN	As needed
11	WAITCFG	Don't care
10	WRAPMOD	0x0
9	WAITPOL	Meaningful only if bit 15 is 1
8	BURSTEN	0x0
7	Reserved	0x1
6	FACCEN	Set according to memory support
5-4	MWID	As needed

Table 190. FSMC_BCRx bit fields (continued)

Bit No.	Bit name	Value to set
3-2	MTYP[0:1]	As needed
1	MUXEN	0x0
0	MBKEN	0x1

Table 191. FSMC_BTRx bit fields

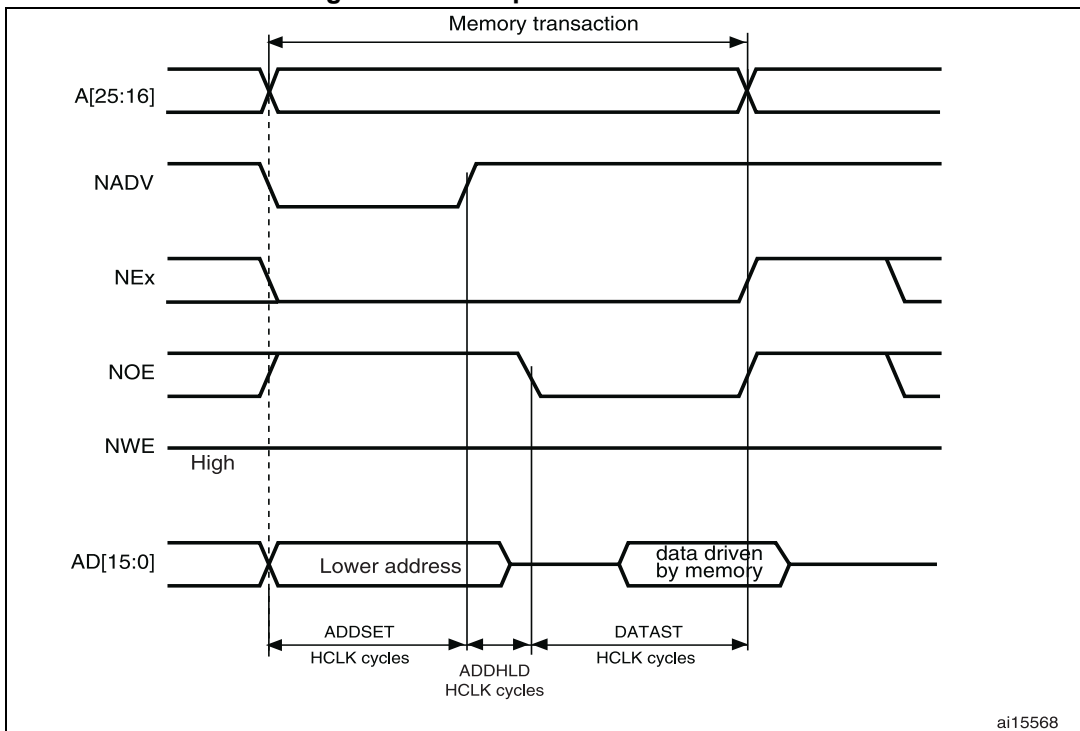
Bit No.	Bit name	Value to set
31:30	Reserved	0x0
29-28	ACCMOD	0x3
27-24	DATLAT	Don't care
23-20	CLKDIV	Don't care
19-16	BUSTURN	Time between NEx high to NEx low (BUSTURN HCLK)
15-8	DATAST	Duration of the second access phase (DATAST HCLK cycles) for read accesses.
7-4	ADDHLD	Duration of the middle phase of the read access (ADDHLD HCLK cycles)
3-0	ADDSET[3:0]	Duration of the first access phase (ADDSET HCLK cycles) for read accesses. Minimum value for ADDSET is 1.

Table 192. FSMC_BWTRx bit fields

Bit No.	Bit name	Value to set
31:30	Reserved	0x0
29-28	ACCMOD	0x3
27-24	DATLAT	0x0
23-20	CLKDIV	0x0
19-16	BUSTURN	Time between NEx high to NEx low (BUSTURN HCLK)
15-8	DATAST	Duration of the second access phase
7-4	ADDHLD	Duration of the middle phase of the write access (ADDHLD HCLK cycles)
3-0	ADDSET[3:0]	Duration of the first access phase . Minimum value for ADDSET is 1.

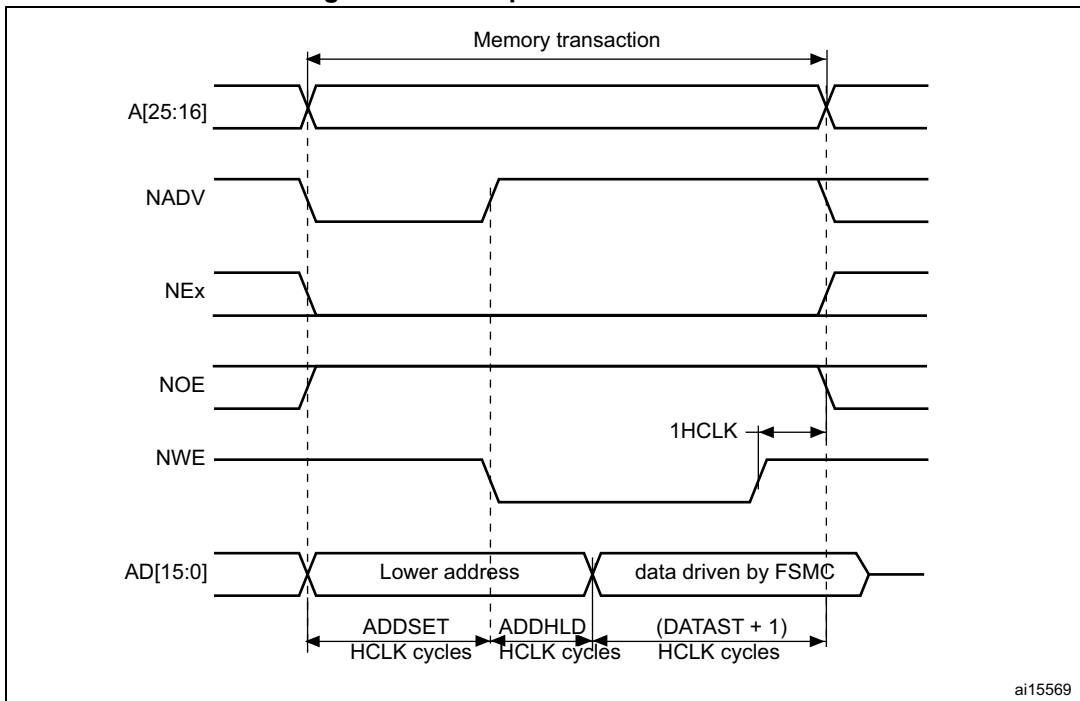
Muxed mode - multiplexed asynchronous access to NOR flash memory

Figure 410. Multiplexed read accesses



ai15568

Figure 411. Multiplexed write accesses



ai15569

The difference with mode D is the drive of the lower address byte(s) on the databus.

Table 193. FSMC_BCRx bit fields

Bit No.	Bit name	Value to set
31-21	Reserved	0x000
19	CBURSTRW	0x0 (no effect on asynchronous mode)
18:16	CPSIZE	0x0 (no effect on asynchronous mode)
15	ASYNCWAIT	Set to 1 if the memory supports this feature. Otherwise keep at 0.
14	EXTMOD	0x0
13	WAITEN	0x0 (no effect on asynchronous mode)
12	WREN	As needed
11	WAITCFG	Don't care
10	WRAPMOD	0x0
9	WAITPOL	Meaningful only if bit 15 is 1
8	BURSTEN	0x0
7	Reserved	0x1
6	FACCEN	0x1
5-4	MWID	As needed
3-2	MTYP[0:1]	0x2 (NOR flash memory)
1	MUXEN	0x1
0	MBKEN	0x1

Table 194. FSMC_BTRx bit fields

Bit No.	Bit name	Value to set
31:30	Reserved	0x0
29-28	ACCMOD	0x0
27-24	DATLAT	Don't care
23-20	CLKDIV	Don't care
19-16	BUSTURN	Time between NEx high to NEx low (BUSTURN HCLK)
15-8	DATAST	Duration of the second access phase (DATAST HCLK cycles for read accesses and DATAST+1 HCLK cycles for write accesses).
7-4	ADDHLD	Duration of the middle phase of the access (ADDHLD HCLK cycles).
3-0	ADDSET[3:0]	Duration of the first access phase (ADDSET HCLK cycles). Minimum value for ADDSET is 1.

WAIT management in asynchronous accesses

If the asynchronous memory asserts a WAIT signal to indicate that it is not yet ready to accept or to provide data, the ASYNCWAIT bit has to be set in FSMC_BCRx register.

If the WAIT signal is active (high or low depending on the WAITPOL bit), the second access phase (Data setup phase) programmed by the DATAST bits, is extended until WAIT becomes inactive. Unlike the data setup phase, the first access phases (Address setup and Address hold phases), programmed by the ADDSET[3:0] and ADDHLD bits, are not WAIT sensitive and so they are not prolonged.

The data setup phase (DATAST in the FSMC_BTRx register) must be programmed so that WAIT can be detected 4 HCLK cycles before the end of memory transaction. The following cases must be considered:

1. DATAST in FSMC_BTRx register) Memory asserts the WAIT signal aligned to NOE/NWE which toggles:

$$\text{DATAST} \geq (4 \times \text{HCLK}) + \text{max_wait_assertion_time}$$

2. Memory asserts the WAIT signal aligned to NEx (or NOE/NWE not toggling):
if

$$\text{max_wait_assertion_time} > \text{address_phase} + \text{hold_phase}$$

then

$$\text{DATAST} \geq (4 \times \text{HCLK}) + (\text{max_wait_assertion_time} - \text{address_phase} - \text{hold_phase})$$

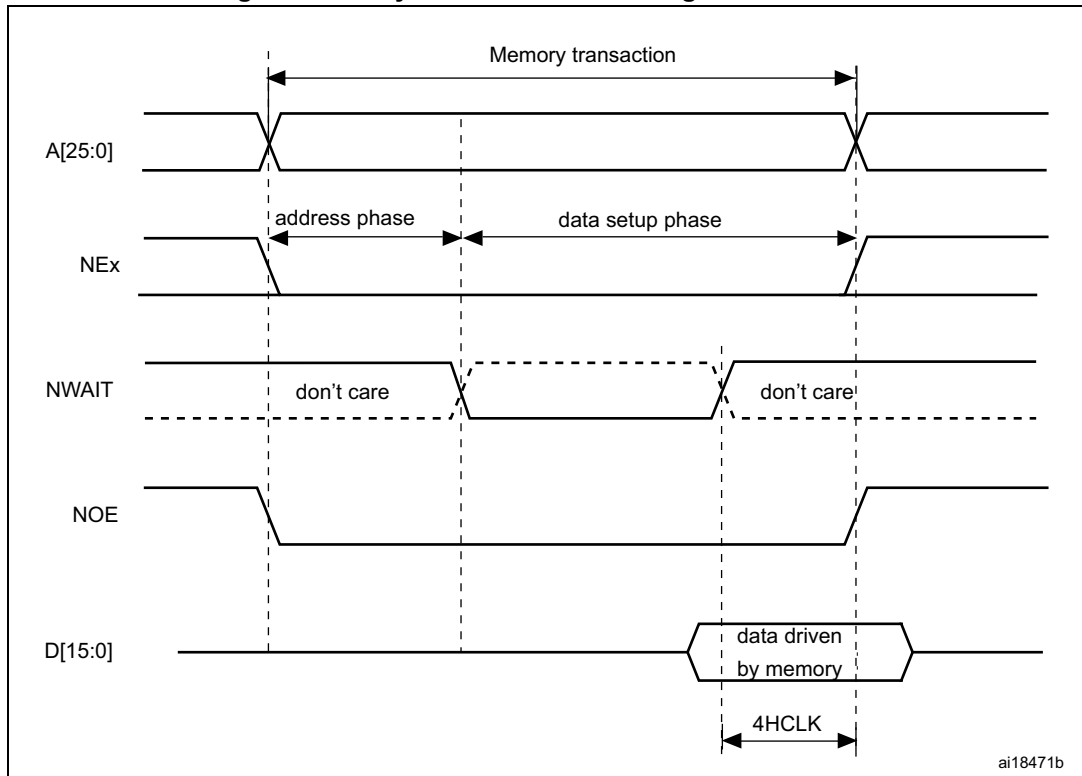
otherwise

$$\text{DATAST} \geq 4 \times \text{HCLK}$$

where max_wait_assertion_time is the maximum time taken by the memory to assert the WAIT signal once NEx/NOE/NWE is low.

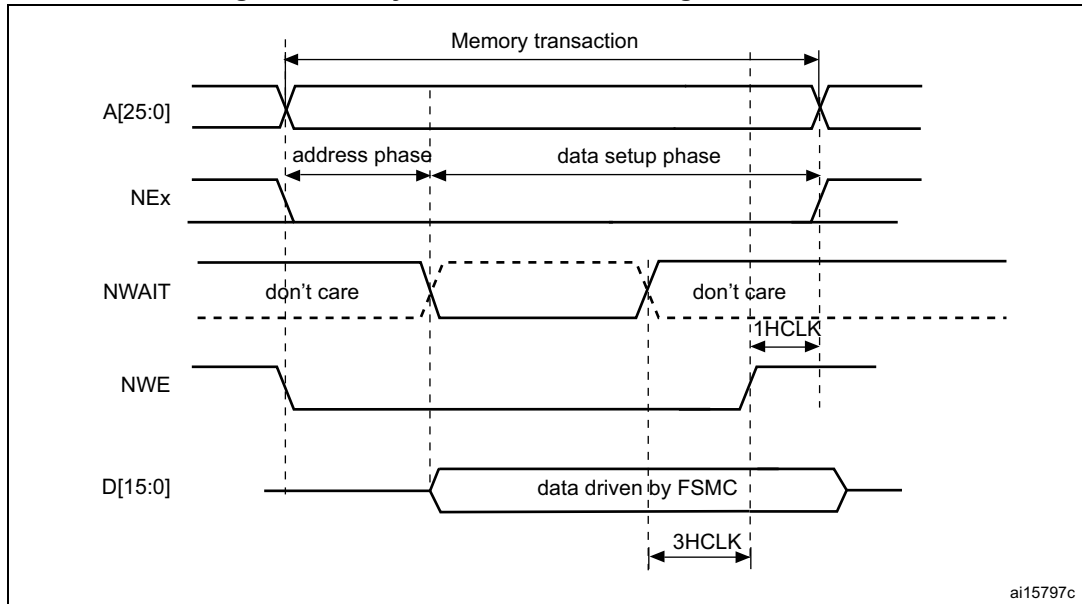
[Figure 412](#) and [Figure 413](#) show the number of HCLK clock cycles that are added to the memory access after WAIT is released by the asynchronous memory (independently of the above cases).

Figure 412. Asynchronous wait during a read access



1. NWAIT polarity depends on WAITPOL bit setting in FSMC_BCRx register.

Figure 413. Asynchronous wait during a write access



1. NWAIT polarity depends on WAITPOL bit setting in FSMC_BCRx register.

31.5.5 Synchronous transactions

The memory clock, CLK, is a submultiple of HCLK according to the value of parameter CLKDIV.

NOR flash memories specify a minimum time from NADV assertion to CLK high. To meet this constraint, the FSMC does not issue the clock to the memory during the first internal clock cycle of the synchronous access (before NADV assertion). This guarantees that the rising edge of the memory clock occurs *in the middle* of the NADV low pulse.

Data latency versus NOR flash latency

The data latency is the number of cycles to wait before sampling the data. The DATLAT value must be consistent with the latency value specified in the NOR flash configuration register. The FSMC does not include the clock cycle when NADV is low in the data latency count.

Caution: Some NOR flash memories include the NADV Low cycle in the data latency count, so the exact relation between the latency and the FSMC DATLAT parameter can be either of:

- NOR flash latency = (DATLAT + 2) CLK clock cycles
- NOR flash latency = (DATLAT + 3) CLK clock cycles

Some recent memories assert NWAIT during the latency phase. In such cases DATLAT can be set to its minimum value. As a result, the FSMC samples the data and waits long enough to evaluate if the data are valid. Thus the FSMC detects when the memory exits latency and real data are taken.

Other memories do not assert NWAIT during latency. In this case the latency must be set correctly for both the FSMC and the memory, otherwise invalid data are mistaken for good data, or valid data are lost in the initial phase of the memory access.

Single-burst transfer

When the selected bank is configured in burst mode for synchronous accesses, if for example an AHB single-burst transaction is requested on 16-bit memories, the FSMC performs a burst transaction of length 1 (if the AHB transfer is 16-bit), or length 2 (if the AHB transfer is 32-bit) and de-assert the chip select signal when the last data is strobed.

Clearly, such a transfer is not the most efficient in terms of cycles (compared to an asynchronous read). Nevertheless, a random asynchronous access would first require to re-program the memory access mode, which would altogether last longer.

Cross boundary page for Cellular RAM 1.5

Cellular RAM 1.5 does not allow burst access to cross the page boundary. The FSMC controller allows to split automatically the burst access when the memory page size is reached by configuring the CPSIZE bits in the FSMC_BCR1 register following the memory page size.

Wait management

For synchronous NOR flash memories, NWAIT is evaluated after the programmed latency period, (DATLAT+2) CLK clock cycles.

If NWAIT is sensed active (low level when WAITPOL = 0, high level when WAITPOL = 1), wait states are inserted until NWAIT is sensed inactive (high level when WAITPOL = 0, low level when WAITPOL = 1).

When NWAIT is inactive, the data is considered valid either immediately (bit WAITCFG = 1) or on the next clock edge (bit WAITCFG = 0).

During wait-state insertion via the NWAIT signal, the controller continues to send clock pulses to the memory, keeping the chip select and output enable signals valid, and does not consider the data valid.

There are two timing configurations for the NOR flash NWAIT signal in burst mode:

- Flash memory asserts the NWAIT signal one data cycle before the wait state (default after reset)
- Flash memory asserts the NWAIT signal during the wait state

These two NOR flash wait state configurations are supported by the FSMC, individually for each chip select, thanks to the WAITCFG bit in the FSMC_BCRx registers (x = 0..3).

Figure 414. Wait configurations

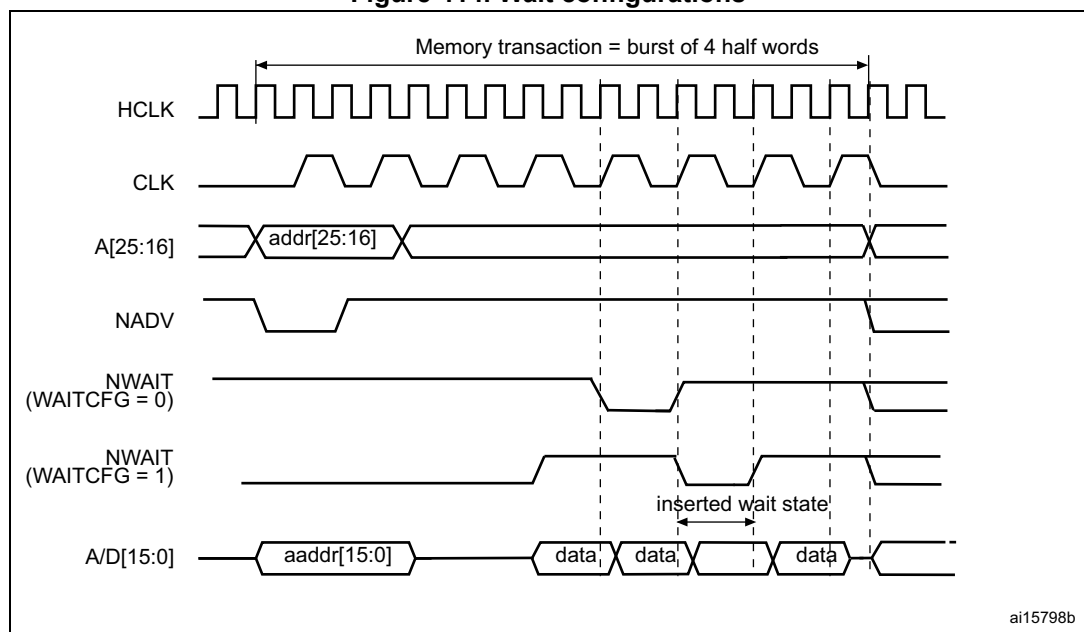
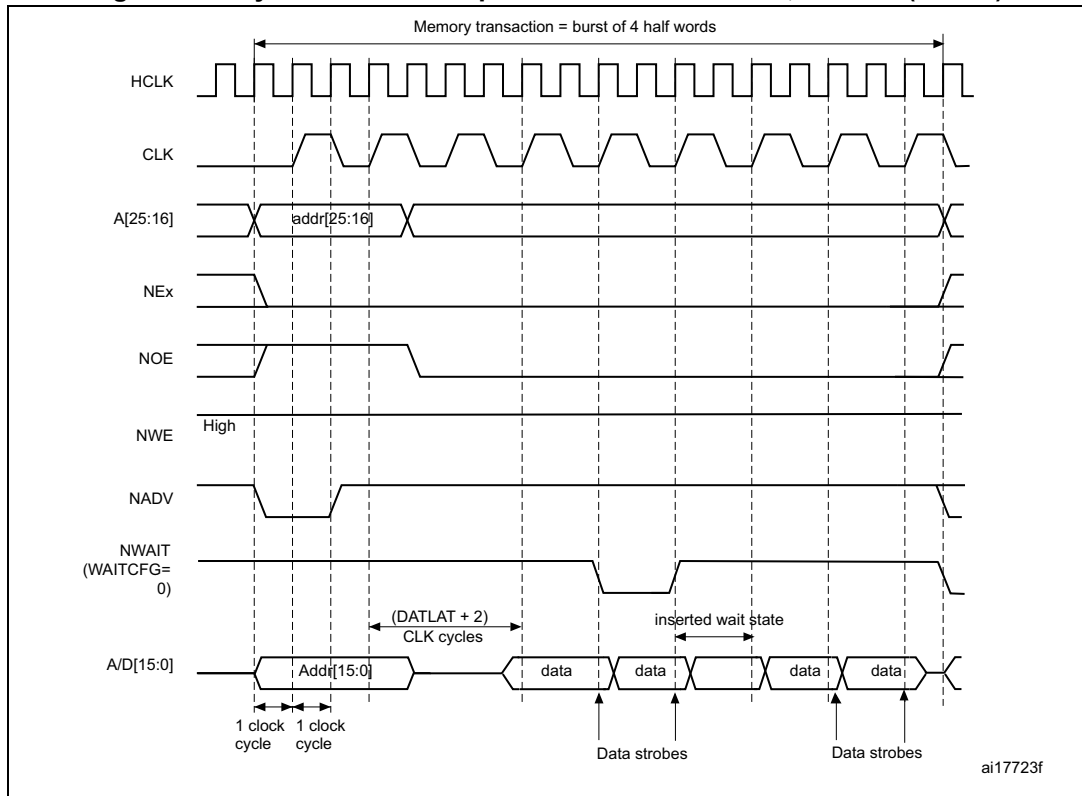


Figure 415. Synchronous multiplexed read mode - NOR, PSRAM (CRAM)



1. Byte lane outputs BL are not shown; for NOR access, they are held high, and, for PSRAM (CRAM) access, they are held low.
2. NWAIT polarity is set to 0.

Table 195. FSMC_BCRx bit fields

Bit No.	Bit name	Value to set
31-20	Reserved	0x000
19	CBURSTRW	No effect on synchronous read
18-16	CPSIZE	As needed (0x1 for CRAM 1.5)
15	ASCYCWAIT	0x0
14	EXTMOD	0x0
13	WAITEN	Set to 1 if the memory supports this feature, otherwise keep at 0.
12	WREN	no effect on synchronous read
11	WAITCFG	to be set according to memory
10	WRAPMOD	0x0
9	WAITPOL	to be set according to memory
8	BURSTEN	0x1
7	Reserved	0x1
6	FACCEN	Set according to memory support (NOR flash memory)
5-4	MWID	As needed

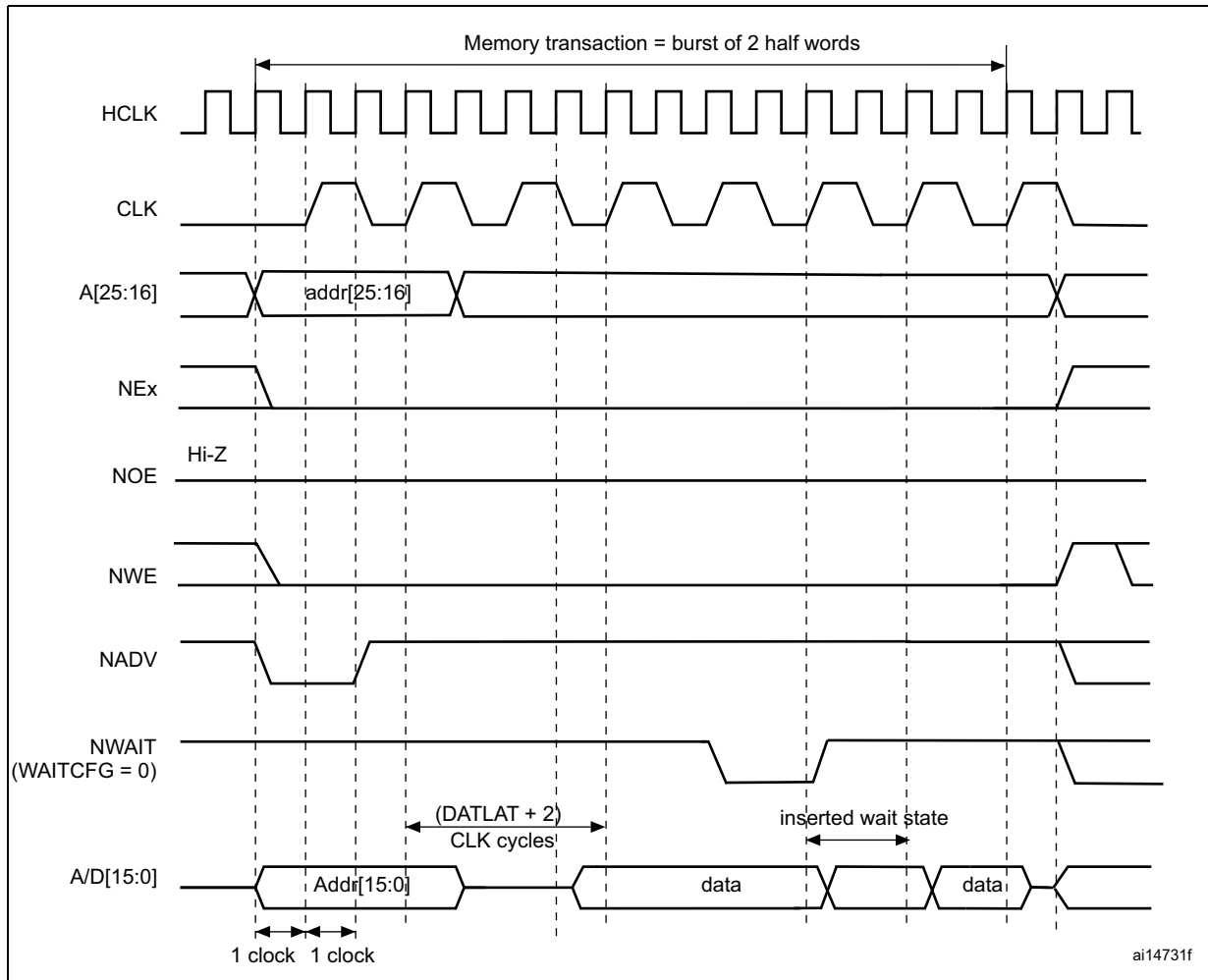
Table 195. FSMC_BCRx bit fields (continued)

Bit No.	Bit name	Value to set
3-2	MTYP[0:1]	0x1 or 0x2
1	MUXEN	As needed
0	MBKEN	0x1

Table 196. FSMC_BTRx bit fields

Bit No.	Bit name	Value to set
31:30	Reserved	0x0
29:28	ACCMOD	0x0
27-24	DATLAT	Data latency
23-20	CLKDIV	0x0 to get CLK = HCLK (not supported) 0x1 to get CLK = 2 × HCLK ..
19-16	BUSTURN	Time between NEx high to NEx low (BUSTURN HCLK)
15-8	DATAST	Don't care
7-4	ADDHLD	Don't care
3-0	ADDSET[3:0]	Don't care

Figure 416. Synchronous multiplexed write mode - PSRAM (CRAM)



1. Memory must issue NWAIT signal one cycle in advance, accordingly WAITCFG must be programmed to 0.
2. NWAIT polarity is set to 0.
3. Byte Lane (NBL) outputs are not shown, they are held low while NEx is active.

Table 197. FSMC_BCRx bit fields

Bit No.	Bit name	Value to set
31-20	Reserved	0x000
19	CBURSTRW	0x1
18-16	CPSIZE	As needed (0x1 for CRAM 1.5)
15	ASCYCWAIT	0x0
14	EXTMOD	0x0
13	WAITEN	Set to 1 if the memory supports this feature, otherwise keep at 0.
12	WREN	0x1
11	WAITCFG	0x0
10	WRAPMOD	0x0

Table 197. FSMC_BCRx bit fields (continued)

Bit No.	Bit name	Value to set
9	WAITPOL	to be set according to memory
8	BURSTEN	no effect on synchronous write
7	Reserved	0x1
6	FACCEN	Set according to memory support
5-4	MWID	As needed
3-2	MTYP[0:1]	0x1
1	MUXEN	As needed
0	MBKEN	0x1

Table 198. FSMC_BTRx bit fields

Bit No.	Bit name	Value to set
31:30	Reserved	0x0
29:28	ACCMOD	0x0
27-24	DATLAT	Data latency
23-20	CLKDIV	0x0 to get CLK = HCLK (not supported) 0x1 to get CLK = 2 × HCLK
19-16	BUSTURN	Time between NEx high to NEx low (BUSTURN HCLK)
15-8	DATAST	Don't care
7-4	ADDHLD	Don't care
3-0	ADDSET[3:0]	Don't care

31.5.6 NOR/PSRAM control registers

The NOR/PSRAM control registers have to be accessed by words (32 bits).

SRAM/NOR-flash chip-select control registers 1..4 (FSMC_BCR1..4)

Address offset: 0xA000 0000 + 8 * (x - 1), x = 1...4

Reset value: 0x0000 30DB for Bank1 and 0x0000 30D2 for Bank 2 to 4

This register contains the control information of each memory bank, used for SRAMs, PSRAM and NOR flash memories.

31	30	29	28	27	26	25	24	23	22	21	20	19	18	17	16	15	14	13	12	11	10	9	8	7	6	5	4	3	2	1	0
Reserved												CBURSTRW	CPSIZE[2:0]			ASYNCWAIT	EXTMOD	WAITEN	WREN	WAITCFG	WRAPMOD	WAITPOL	BURSTEN	Reserved	FACCEN	MWID[1:0]		MTYPI[1:0]		MUXEN	MBKEN
												r/w				r/w	r/w	r/w	r/w	r/w	r/w	r/w	r/w		r/w	r/w	r/w	r/w	r/w	r/w	r/w

Bits 31: 20 Reserved, must be kept at reset value.

Bit 19 **CBURSTRW**: Write burst enable.

For Cellular RAM (PSRAM) memories, this bit enables the synchronous burst protocol during write operations. The enable bit for synchronous read accesses is the BURSTEN bit in the FSMC_BCRx register.

- 0: Write operations are always performed in asynchronous mode
- 1: Write operations are performed in synchronous mode.

Bits 18: 16 **CPSIZE[2:0]**: CRAM page size.

These are used for Cellular RAM 1.5 which does not allow burst access to cross the address boundaries between pages. When these bits are configured, the FSMC controller splits automatically the burst access when the memory page size is reached (refer to memory datasheet for page size).

- 000: No burst split when crossing page boundary (default after reset)
- 001: 128 bytes
- 010: 256 bytes
- 011: 512 bytes
- 100: 1024 bytes
- Others: reserved.

Bit 15 **ASYNCWAIT**: Wait signal during asynchronous transfers

This bit enables/disables the FSMC to use the wait signal even during an asynchronous protocol.

- 0: NWAIT signal is not taken into account when running an asynchronous protocol (default after reset)
- 1: NWAIT signal is taken into account when running an asynchronous protocol

- Bit 14 **EXTMOD**: Extended mode enable.
This bit enables the FSMC to program the write timings for non-multiplexed asynchronous accesses inside the FSMC_BWTR register, thus resulting in different timings for read and write operations.
0: values inside FSMC_BWTR register are not taken into account (default after reset)
1: values inside FSMC_BWTR register are taken into account
Note: When the extended mode is disabled, the FSMC can operate in Mode1 or Mode2 as follows:
- Mode 1 is the default mode when the SRAM/PSRAM memory type is selected (MTYP [0:1]=0x0 or 0x01)
 - Mode 2 is the default mode when the NOR memory type is selected (MTYP [0:1]= 0x10).
- Bit 13 **WAITEN**: Wait enable bit.
This bit enables/disables wait-state insertion via the NWAIT signal when accessing the flash memory in synchronous mode.
0: NWAIT signal is disabled (its level not taken into account, no wait state inserted after the programmed flash latency period)
1: NWAIT signal is enabled (its level is taken into account after the programmed flash latency period to insert wait states if asserted) (default after reset)
- Bit 12 **WREN**: Write enable bit.
This bit indicates whether write operations are enabled/disabled in the bank by the FSMC:
0: Write operations are disabled in the bank by the FSMC, an AHB error is reported,
1: Write operations are enabled for the bank by the FSMC (default after reset).
- Bit 11 **WAITCFG**: Wait timing configuration.
The NWAIT signal indicates whether the data from the memory are valid or if a wait state must be inserted when accessing the flash memory in synchronous mode. This configuration bit determines if NWAIT is asserted by the memory one clock cycle before the wait state or during the wait state:
0: NWAIT signal is active one data cycle before wait state (default after reset),
1: NWAIT signal is active during wait state (not used for PRAM).
- Bit 10 **WRAPMOD**: Wrapped burst mode support.
Defines whether the controller splits or not an AHB burst wrap access into two linear accesses. Valid only when accessing memories in burst mode
0: Direct wrapped burst is not enabled (default after reset),
1: Direct wrapped burst is enabled.
Note: This bit has no effect as the CPU and DMA cannot generate wrapping burst transfers.
- Bit 9 **WAITPOL**: Wait signal polarity bit.
Defines the polarity of the wait signal from memory. Valid only when accessing the memory in burst mode:
0: NWAIT active low (default after reset),
1: NWAIT active high.
- Bit 8 **BURSTEN**: Burst enable bit.
This bit enables/disables synchronous accesses during read operations. It is valid only for synchronous memories operating in burst mode:
0: Burst mode disabled (default after reset). Read accesses are performed in asynchronous mode.
1: Burst mode enable. Read accesses are performed in synchronous mode.

- Bit 7 Reserved, must be kept at reset value.
- Bit 6 **FACCEN**: Flash access enable
Enables NOR flash memory access operations.
0: Corresponding NOR flash memory access is disabled
1: Corresponding NOR flash memory access is enabled (default after reset)
- Bits 5:4 **MWID[1:0]**: Memory databus width.
Defines the external memory device width, valid for all type of memories.
00: 8 bits,
01: 16 bits (default after reset),
10: reserved, do not use,
11: reserved, do not use.
- Bits 3:2 **MTYP[1:0]**: Memory type.
Defines the type of external memory attached to the corresponding memory bank:
00: SRAM (default after reset for Bank 2...4)
01: PSRAM (CRAM)
10: NOR flash/OneNAND flash (default after reset for Bank 1)
11: reserved
- Bit 1 **MUXEN**: Address/data multiplexing enable bit.
When this bit is set, the address and data values are multiplexed on the databus, valid only with NOR and PSRAM memories:
0: Address/Data nonmultiplexed
1: Address/Data multiplexed on databus (default after reset)
- Bit 0 **MBKEN**: Memory bank enable bit.
Enables the memory bank. After reset Bank1 is enabled, all others are disabled. Accessing a disabled bank causes an ERROR on AHB bus.
0: Corresponding memory bank is disabled
1: Corresponding memory bank is enabled

SRAM/NOR-flash chip-select timing registers 1..4 (FSMC_BTR1..4)

Address offset: $0xA000\ 0000 + 0x04 + 8 * (x - 1)$, $x = 1..4$

Reset value: 0x0FFF FFFF

FSMC_BTRx bits are written by software to add a delay at the end of a read /write transaction. This delay allows matching the minimum time between consecutive transactions (t_{EHEL} from NEx high to FSMC_NEx low) and the maximum time required by the memory to free the data bus after a read access (t_{EHQZ}).

This register contains the control information of each memory bank, used for SRAMs, PSRAM and NOR flash memories. If the EXTMOD bit is set in the FSMC_BCRx register, then this register is partitioned for write and read access, that is, 2 registers are available: one to configure read accesses (this register) and one to configure write accesses (FSMC_BWTRx registers).

31	30	29	28	27	26	25	24	23	22	21	20	19	18	17	16	15	14	13	12	11	10	9	8	7	6	5	4	3	2	1	0																												
Reserved																															ACCMOD[1:0]		DATLAT[3:0]				CLKDIV[3:0]				BUSTURN[3:0]				DATAS7[7:0]							ADDHLD[3:0]				ADDSET[3:0]			
																															rw	rw	rw	rw	rw	rw	rw	rw	rw	rw	rw	rw	rw	rw	rw	rw	rw	rw	rw	rw	rw	rw	rw	rw	rw	rw	rw	rw	rw

Bits 31:30 Reserved, must be kept at reset value.

Bits 29:28 **ACCMOD[1:0]**: Access mode

Specifies the asynchronous access modes as shown in the timing diagrams. These bits are taken into account only when the EXTMOD bit in the FSMC_BCRx register is 1.

- 00: access mode A
- 01: access mode B
- 10: access mode C
- 11: access mode D

Bits 27:24 **DATLAT[3:0]**: Data latency for synchronous NOR flash memory (see note below bit description table)

For synchronous NOR flash memory with burst mode enabled, defines the number of memory clock cycles (+2) to issue to the memory before reading/writing the first data. This timing parameter is not expressed in HCLK periods, but in FSMC_CLK periods. In case of PSRAM (CRAM), this field must be set to 0. In asynchronous NOR flash or SRAM or PSRAM, this value is don't care.

- 0000: Data latency of 2 CLK clock cycles for first burst access
- 1111: Data latency of 17 CLK clock cycles for first burst access (default value after reset)

Bits 23:20 **CLKDIV[3:0]**: Clock divide ratio (for FSMC_CLK signal)

Defines the period of FSMC_CLK clock output signal, expressed in number of HCLK cycles:

- 0000: Reserved
- 0001: FSMC_CLK period = 2 × HCLK periods
- 0010: FSMC_CLK period = 3 × HCLK periods
- 1111: FSMC_CLK period = 16 × HCLK periods (default value after reset)

In asynchronous NOR flash, SRAM or PSRAM accesses, this value is don't care.

Bits 19:16 **BUSTURN[3:0]**: Bus turnaround phase duration

These bits are written by software to add a delay at the end of a write-to-read (and read-to-write) transaction. The programmed bus turnaround delay is inserted between an asynchronous read (muxed or D mode) or a write transaction and any other asynchronous/synchronous read or write to/from a static bank (for a read operation, the bank can be the same or a different one; for a write operation, the bank can be different except in r muxed or D mode).

In some cases, the bus turnaround delay is fixed, whatever the programmed BUSTURN values:

- No bus turnaround delay is inserted between two consecutive asynchronous write transfers to the same static memory bank except in muxed and D mode.
- A bus turnaround delay of 1 FSMC clock cycle is inserted between:
 - Two consecutive asynchronous read transfers to the same static memory bank except for muxed and D modes.
 - An asynchronous read to an asynchronous or synchronous write to any static bank or dynamic bank except for muxed and D modes.
 - An asynchronous (modes 1, 2, A, B or C) read and a read operation from another static bank.
- A bus turnaround delay of 2 FSMC clock cycles is inserted between:
 - Two consecutive synchronous write accesses (in burst or single mode) to the same bank
 - A synchronous write (burst or single) access and an asynchronous write or read transfer to or from static memory bank (the bank can be the same or different in case of a read operation).
 - Two consecutive synchronous read accesses (in burst or single mode) followed by a any synchronous/asynchronous read or write from/to another static memory bank.
- A bus turnaround delay of 3 FSMC clock cycles is inserted between:
 - Two consecutive synchronous write operations (in burst or single mode) to different static banks.
 - A synchronous write access (in burst or single mode) and a synchronous read access from the same or to a different bank.

0000: BUSTURN phase duration = 0 HCLK clock cycle added

...

1111: BUSTURN phase duration = 15 × HCLK clock cycles (default value after reset)

Bits 15:8 **DATAST[7:0]**: Data-phase duration

These bits are written by software to define the duration of the data phase (refer to [Figure 399](#) to [Figure 411](#)), used in asynchronous accesses:

0000 0000: Reserved
 0000 0001: DATAST phase duration = 1 × HCLK clock cycles
 0000 0010: DATAST phase duration = 2 × HCLK clock cycles

...

1111 1111: DATAST phase duration = 255 × HCLK clock cycles (default value after reset)

For each memory type and access mode data-phase duration, refer to the respective figure ([Figure 399](#) to [Figure 411](#)).

Example: Mode1, write access, DATAST=1: Data-phase duration= DATAST+1 = 2 HCLK clock cycles.

Note: In synchronous accesses, this value is don't care.

Bits 7:4 **ADDHLD[3:0]**: Address-hold phase duration

These bits are written by software to define the duration of the *address hold* phase (refer to [Figure 408](#) to [Figure 411](#)), used in mode D and multiplexed accesses:

0000: Reserved
 0001: ADDHLD phase duration = 1 × HCLK clock cycle
 0010: ADDHLD phase duration = 2 × HCLK clock cycle

...

1111: ADDHLD phase duration = 15 × HCLK clock cycles (default value after reset)

For each access mode address-hold phase duration, refer to the respective figure ([Figure 408](#) to [Figure 411](#)).

Note: In synchronous accesses, this value is not used, the address hold phase is always 1 memory clock period duration.

Bits 3:0 **ADDSET[3:0]**: Address setup phase duration

These bits are written by software to define the duration of the *address setup* phase (refer to [Figure 399](#) to [Figure 411](#)), used in SRAMs, ROMs and asynchronous NOR flash and PSRAM accesses:

0000: ADDSET phase duration = 0 × HCLK clock cycle

...

1111: ADDSET phase duration = 15 × HCLK clock cycles (default value after reset)

For each access mode address setup phase duration, refer to the respective figure (refer to [Figure 399](#) to [Figure 411](#)).

Note: In synchronous NOR flash and PSRAM accesses, this value is don't care.

Note: PSRAMs (CRAMs) have a variable latency due to internal refresh. Therefore these memories issue the NWAIT signal during the whole latency phase to prolong the latency as needed.

With PSRAMs (CRAMs) the DATLAT field must be set to 0, so that the FSMC exits its latency phase soon and starts sampling NWAIT from memory, then starts to read or write when the memory is ready.

This method can be used also with the latest generation of synchronous flash memories that issue the NWAIT signal, unlike older flash memories (check the datasheet of the specific flash memory being used).

SRAM/NOR-flash write timing registers 1..4 (FSMC_BWTR1..4)

Address offset: 0xA000 0000 + 0x104 + 8 * (x - 1), x = 1...4

Reset value: 0x0FFF FFFF

This register contains the control information of each memory bank, used for SRAMs, PSRAMs and NOR flash memories. This register is active for write asynchronous access only when the EXTMOD bit is set in the FSMC_BCRx register.

31	30	29	28	27	26	25	24	23	22	21	20	19	18	17	16	15	14	13	12	11	10	9	8	7	6	5	4	3	2	1	0
Res.		ACCMOD[2:0]		Reserved								BUSTURN[3:0]				DATAST[7:0]							ADDHLD[3:0]				ADDSET[3:0]				
		rw rw										rw rw rw rw				rw rw rw rw rw rw rw rw							rw rw rw rw				rw rw rw rw				

Bits 31:30 Reserved, must be kept at reset value.

Bits 29:28 **ACCMOD[2:0]**: Access mode.

Specifies the asynchronous access modes as shown in the next timing diagrams. These bits are taken into account only when the EXTMOD bit in the FSMC_BCRx register is 1.

- 00: access mode A
- 01: access mode B
- 10: access mode C
- 11: access mode D

Bits 27:20 Reserved, must be kept at reset value.

Bits 19:16 **BUSTURN[3:0]**: Bus turnaround phase duration

The programmed bus turnaround delay is inserted between a an asynchronous write transfer and any other asynchronous/synchronous read or write transfer to/from a static bank (for a read operation, the bank can be the same or a different one; for a write operation, the bank can be different except in r muxed or D mode).

In some cases, the bus turnaround delay is fixed, whatever the programmed BUSTURN values:

- No bus turnaround delay is inserted between two consecutive asynchronous write transfers to the same static memory bank except in muxed and D mode.
- A bus turnaround delay of 2 FSMC clock cycles is inserted between:
 - Two consecutive synchronous write accesses (in burst or single mode) to the same bank.
 - A synchronous write transfer (in burst or single mode) and an asynchronous write or read transfer to/from static a memory bank.
- A bus turnaround delay of 3 FSMC clock cycles is inserted between:
 - Two consecutive synchronous write accesses (in burst or single mode) to different static banks.
 - A synchronous write transfer (in burst or single mode) and a synchronous read from the same or from a different bank.

0000: BUSTURN phase duration = 0 HCLK clock cycle added

...

1111: BUSTURN phase duration = 15 HCLK clock cycles added (default value after reset)

Bits 15:8 **DATAST[7:0]**: Data-phase duration.

These bits are written by software to define the duration of the data phase (refer to [Figure 399](#) to [Figure 411](#)), used in asynchronous SRAM, PSRAM and NOR flash memory accesses:

0000 0000: Reserved

0000 0001: DATAST phase duration = 1 × HCLK clock cycles

0000 0010: DATAST phase duration = 2 × HCLK clock cycles

...

1111 1111: DATAST phase duration = 255 × HCLK clock cycles (default value after reset)

Note: In synchronous accesses, this value is don't care.

Bits 7:4 **ADDHLD[3:0]**: Address-hold phase duration.

These bits are written by software to define the duration of the *address hold* phase (refer to [Figure 408](#) to [Figure 411](#)), used in asynchronous multiplexed accesses:

0000: Reserved

0001: ADDHLD phase duration = 1 × HCLK clock cycle

0010: ADDHLD phase duration = 2 × HCLK clock cycle

...

1111: ADDHLD phase duration = 15 × HCLK clock cycles (default value after reset)

Note: In synchronous NOR flash accesses, this value is not used, the address hold phase is always 1 flash clock period duration.

Bits 3:0 **ADDSET[3:0]**: Address setup phase duration.

These bits are written by software to define the duration of the *address setup* phase in HCLK cycles (refer to [Figure 408](#) to [Figure 411](#)), used in asynchronous accessed:

0000: ADDSET phase duration = 0 × HCLK clock cycle

...

1111: ADDSET phase duration = 15 × HCLK clock cycles (default value after reset)

Note: In synchronous NOR flash and PSRAM accesses, this value is don't care.

31.6 NAND flash/PC Card controller

The FSMC generates the appropriate signal timings to drive the following types of device:

- NAND flash
 - 8-bit
 - 16-bit
- 16-bit PC Card compatible devices

The NAND/PC Card controller can control three external banks. Bank 2 and bank 3 support NAND flash devices. Bank 4 supports PC Card devices.

Each bank is configured by means of dedicated registers ([Section 31.6.8](#)). The programmable memory parameters include access timings (shown in [Table 199](#)) and ECC configuration.

Table 199. Programmable NAND/PC Card access parameters

Parameter	Function	Access mode	Unit	Min.	Max.
Memory setup time	Number of clock cycles (HCLK) to set up the address before the command assertion	Read/Write	AHB clock cycle (HCLK)	1	255
Memory wait	Minimum duration (HCLK clock cycles) of the command assertion	Read/Write	AHB clock cycle (HCLK)	2	256
Memory hold	Number of clock cycles (HCLK) to hold the address (and the data in case of a write access) after the command de-assertion	Read/Write	AHB clock cycle (HCLK)	1	254
Memory databus high-Z	Number of clock cycles (HCLK) during which the databus is kept in high-Z state after the start of a write access	Write	AHB clock cycle (HCLK)	0	255

31.6.1 External memory interface signals

The following tables list the signals that are typically used to interface NAND flash and PC Card.

Note: Prefix "N" specifies the associated signal as active low.

8-bit NAND flash

Table 200. 8-bit NAND flash

FSMC signal name	I/O	Function
A[17]	O	NAND flash address latch enable (ALE) signal
A[16]	O	NAND flash command latch enable (CLE) signal
D[7:0]	I/O	8-bit multiplexed, bidirectional address/data bus
NCE[x]	O	Chip select, x = 2, 3
NOE(= NRE)	O	Output enable (memory signal name: read enable, NRE)
NWE	O	Write enable
NWAIT/INT[3:2]	I	NAND flash ready/busy input signal to the FSMC

There is no theoretical capacity limitation as the FSMC can manage as many address cycles as needed.

16-bit NAND flash

Table 201. 16-bit NAND flash

FSMC signal name	I/O	Function
A[17]	O	NAND flash address latch enable (ALE) signal
A[16]	O	NAND flash command latch enable (CLE) signal
D[15:0]	I/O	16-bit multiplexed, bidirectional address/data bus
NCE[x]	O	Chip select, x = 2, 3
NOE(= NRE)	O	Output enable (memory signal name: read enable, NRE)
NWE	O	Write enable
NWAIT/INT[3:2]	I	NAND flash ready/busy input signal to the FSMC

There is no theoretical capacity limitation as the FSMC can manage as many address cycles as needed.

16-bit PC Card

Table 202. 16-bit PC Card

FSMC signal name	I/O	Function
A[10:0]	O	Address bus
NIORD	O	Output enable for I/O space
NIOWR	O	Write enable for I/O space
NREG	O	Register signal indicating if access is in Common or Attribute space
D[15:0]	I/O	Bidirectional databus
NCE4_1	O	Chip select 1
NCE4_2	O	Chip select 2 (indicates if access is 16-bit or 8-bit)
NOE	O	Output enable in Common and in Attribute space
NWE	O	Write enable in Common and in Attribute space
NWAIT	I	PC Card wait input signal to the FSMC (memory signal name IORDY)
INTR	I	PC Card interrupt to the FSMC (only for PC Cards that can generate an interrupt)
CD	I	PC Card presence detection. Active high. If an access is performed to the PC Card banks while CD is low, an AHB error is generated. Refer to Section 31.3: AHB interface

31.6.2 NAND flash / PC Card supported memories and transactions

Table 203 below shows the supported devices, access modes and transactions. Transactions not allowed (or not supported) by the NAND flash / PC Card controller appear in gray.

Table 203. Supported memories and transactions

Device	Mode	R/W	AHB data size	Memory data size	Allowed/not allowed	Comments
NAND 8-bit	Asynchronous	R	8	8	Y	-
	Asynchronous	W	8	8	Y	-
	Asynchronous	R	16	8	Y	Split into 2 FSMC accesses
	Asynchronous	W	16	8	Y	Split into 2 FSMC accesses
	Asynchronous	R	32	8	Y	Split into 4 FSMC accesses
	Asynchronous	W	32	8	Y	Split into 4 FSMC accesses
NAND 16-bit	Asynchronous	R	8	16	Y	-
	Asynchronous	W	8	16	N	-
	Asynchronous	R	16	16	Y	-
	Asynchronous	W	16	16	Y	-
	Asynchronous	R	32	16	Y	Split into 2 FSMC accesses
	Asynchronous	W	32	16	Y	Split into 2 FSMC accesses

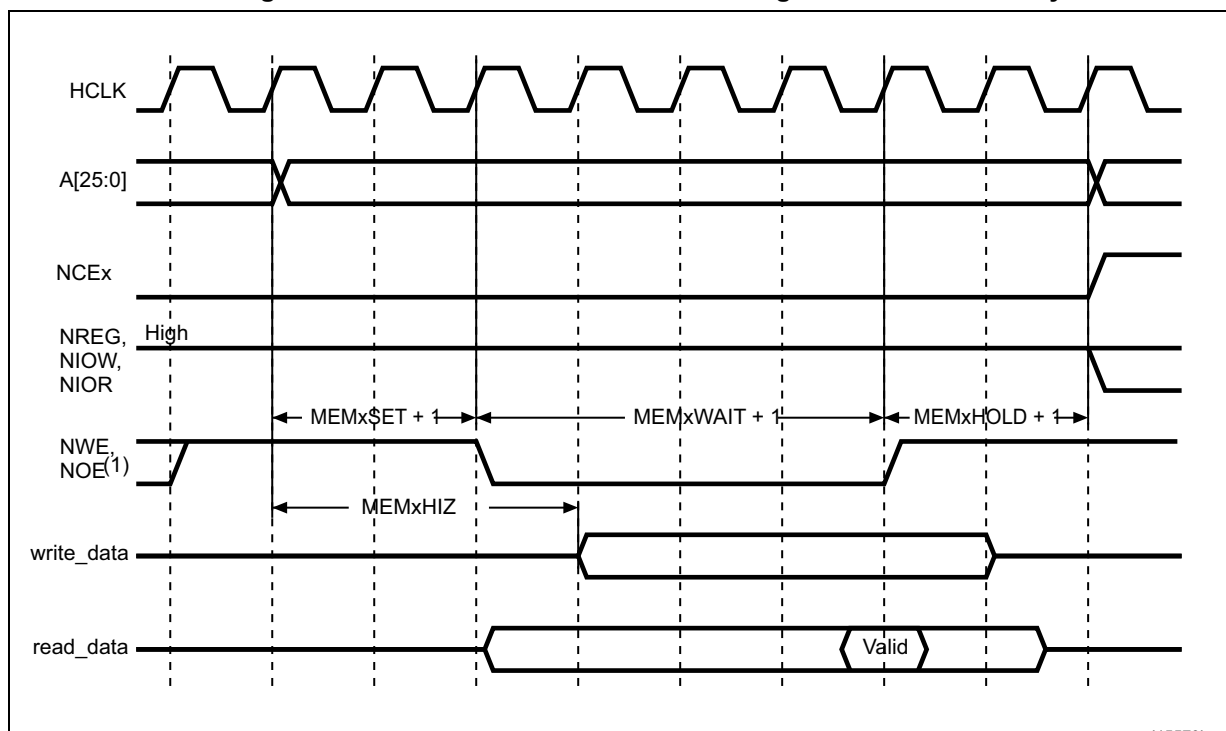
31.6.3 Timing diagrams for NAND and PC Card

Each PC Card/CompactFlash and NAND flash memory bank is managed through a set of registers:

- Control register: FSMC_PCRx
- Interrupt status register: FSMC_SRx
- ECC register: FSMC_ECCRx
- Timing register for Common memory space: FSMC_PMEMx
- Timing register for Attribute memory space: FSMC_PATTx
- Timing register for I/O space: FSMC_PIOx

Each timing configuration register contains three parameters used to define number of HCLK cycles for the three phases of any PC Card/CompactFlash or NAND flash access, plus one parameter that defines the timing for starting driving the databus in the case of a write. *Figure 417* shows the timing parameter definitions for common memory accesses, knowing that Attribute and I/O (only for PC Card) memory space access timings are similar.

Figure 417. NAND/PC Card controller timing for common memory access



1. NOE remains high (inactive) during write access. NWE remains high (inactive) during read access.
2. For write accesses, the hold phase delay is (MEMHOLD) x HCLK cycles, while it is (MEMHOLD + 2) x HCLK cycles for read accesses.

31.6.4 NAND flash operations

The command latch enable (CLE) and address latch enable (ALE) signals of the NAND flash device are driven by some address signals of the FSMC controller. This means that to send a command or an address to the NAND flash memory, the CPU has to perform a write to a certain address in its memory space.

A typical page read operation from the NAND flash device is as follows:

1. Program and enable the corresponding memory bank by configuring the FSMC_PCRx and FSMC_PMEMx (and for some devices, FSMC_PATTx, see [Section 31.6.5](#)) registers according to the characteristics of the NAND flash (PWID bits for the databus width of the NAND flash, PTYP = 1, PWAITEN = 0 or 1 as needed, see [Common memory space timing register 2.4 \(FSMC_PMEM2.4\)](#) for timing configuration).
2. The CPU performs a byte write in the common memory space, with data byte equal to one flash command byte (for example 0x00 for Samsung NAND flash devices). The CLE input of the NAND flash is active during the write strobe (low pulse on NWE), thus the written byte is interpreted as a command by the NAND flash. Once the command is latched by the NAND flash device, it does not need to be written for the following page read operations.
3. The CPU can send the start address (STARTAD) for a read operation by writing the required bytes (for example four bytes or three for smaller capacity devices), STARTAD[7:0], STARTAD[15:8], STARTAD[23:16] and finally STARTAD[25:24] for 64 Mb x 8 bit NAND flash) in the common memory or attribute space. The ALE input of the NAND flash device is active during the write strobe (low pulse on NWE), thus the

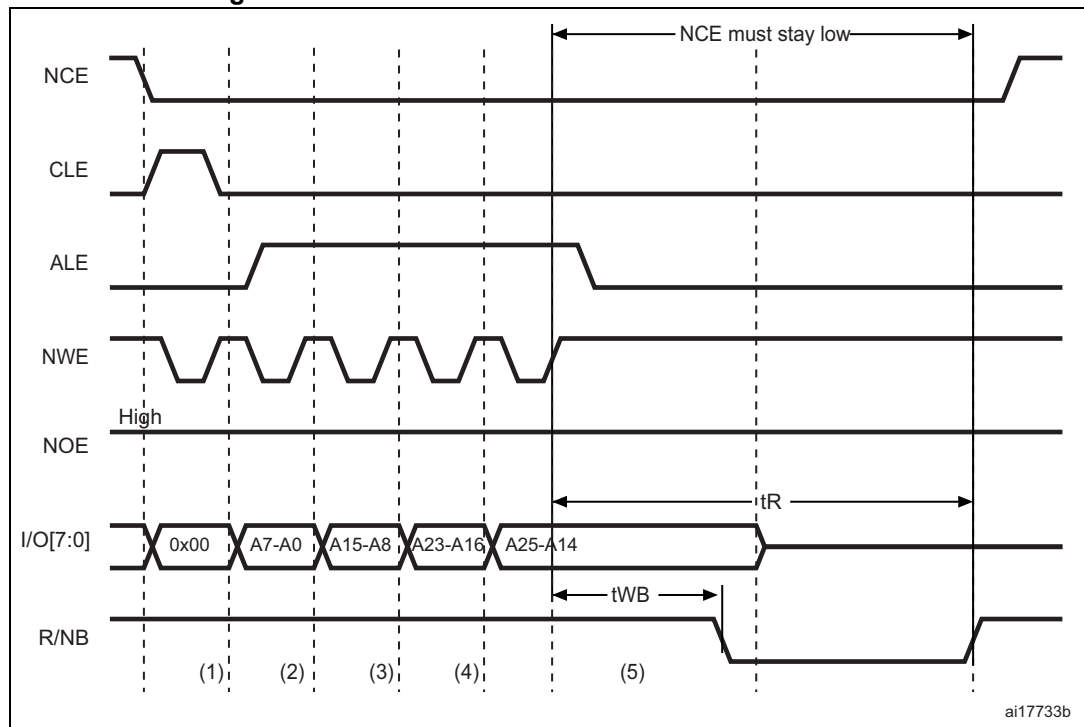
written bytes are interpreted as the start address for read operations. Using the attribute memory space makes it possible to use a different timing configuration of the FSMC, which can be used to implement the prewait functionality needed by some NAND flash memories (see details in [Section 31.6.5](#)).

4. The controller waits for the NAND flash to be ready (R/NB signal high) to become active, before starting a new access (to same or another memory bank). While waiting, the controller maintains the NCE signal active (low).
5. The CPU can then perform byte read operations in the common memory space to read the NAND flash page (data field + Spare field) byte by byte.
6. The next NAND flash page can be read without any CPU command or address write operation, in three different ways:
 - by simply performing the operation described in step 5
 - a new random address can be accessed by restarting the operation at step 3
 - a new command can be sent to the NAND flash device by restarting at step 2

31.6.5 NAND flash prewait functionality

Some NAND flash devices require that, after writing the last part of the address, the controller wait for the R/NB signal to go low as shown in [Figure 418](#).

Figure 418. Access to non ‘CE don’t care’ NAND-Flash



1. CPU wrote byte 0x00 at address 0x7001 0000.
2. CPU wrote byte A7-A0 at address 0x7002 0000.
3. CPU wrote byte A15-A8 at address 0x7002 0000.
4. CPU wrote byte A23-A16 at address 0x7002 0000.
5. CPU wrote byte A25-A24 at address 0x7802 0000: FSMC performs a write access using FSMC_PATT2 timing definition, where $ATTHOLD \geq 7$ (providing that $(7+1) \times HCLK = 112 \text{ ns} > t_{WB \text{ max}}$). This guarantees that NCE remains low until R/NB goes low and high again (only requested for NAND flash memories where NCE is not don't care).

When this functionality is needed, it can be guaranteed by programming the MEMHOLD value to meet the t_{WB} timing. However CPU read accesses to the NAND flash memory has a hold delay of $(MEMHOLD + 2) \times HCLK$ cycles, while CPU write accesses have a hold delay of $(MEMHOLD) \times HCLK$ cycles.

To overcome this timing constraint, the attribute memory space can be used by programming its timing register with an ATTHOLD value that meets the t_{WB} timing, and leaving the MEMHOLD value at its minimum. Then, the CPU must use the common memory space for all NAND flash read and write accesses, except when writing the last address byte to the NAND flash device, where the CPU must write to the attribute memory space.

31.6.6 Computation of the error correction code (ECC) in NAND flash memory

The FSMC PC-Card controller includes two error correction code computation hardware blocks, one per memory bank. They are used to reduce the host CPU workload when processing the error correction code by software in the system.

These two registers are identical and associated with bank 2 and bank 3, respectively. As a consequence, no hardware ECC computation is available for memories connected to bank 4.

The error correction code (ECC) algorithm implemented in the FSMC can perform 1-bit error correction and 2-bit error detection per 256, 512, 1 024, 2 048, 4 096 or 8 192 bytes read from or written to NAND flash memory. It is based on the Hamming coding algorithm and consists in calculating the row and column parity.

The ECC modules monitor the NAND flash databus and read/write signals (NCE and NWE) each time the NAND flash memory bank is active.

The functional operations are:

- When access to NAND flash is made to bank 2 or bank 3, the data present on the D[15:0] bus is latched and used for ECC computation.
- When access to NAND flash occurs at any other address, the ECC logic is idle, and does not perform any operation. Thus, write operations for defining commands or addresses to NAND flash are not taken into account for ECC computation.

Once the desired number of bytes has been read from/written to the NAND flash by the host CPU, the FSMC_ECCR2/3 registers must be read in order to retrieve the computed value. Once read, they should be cleared by resetting the ECCEN bit to zero. To compute a new data block, the ECCEN bit must be set to one in the FSMC_PCR2/3 registers.

To perform an ECC computation:

1. Enable the ECCEN bit in the FSMC_PCR2/3 register.
2. Write data to the NAND flash memory page. While the NAND page is written, the ECC block computes the ECC value.
3. Read the ECC value available in the FSMC_ECCR2/3 register and store it in a variable.
4. Clear the ECCEN bit and then enable it in the FSMC_PCR2/3 register before reading back the written data from the NAND page. While the NAND page is read, the ECC block computes the ECC value.
5. Read the new ECC value available in the FSMC_ECCR2/3 register.
6. If the two ECC values are the same, no correction is required, otherwise there is an ECC error and the software correction routine returns information on whether the error can be corrected or not.

31.6.7 PC Card/CompactFlash operations

Address spaces and memory accesses

The FSMC supports Compact Flash storage or PC Cards in Memory Mode and I/O Mode (True IDE mode is not supported).

The Compact Flash storage and PC Cards are made of 3 memory spaces:

- Common Memory Space
- Attribute Space
- I/O Memory Space

The nCE2 and nCE1 pins (FSMC_NCE4_2 and FSMC_NCE4_1 respectively) select the card and indicate whether a byte or a word operation is being performed: nCE2 accesses the odd byte on D15-8 and nCE1 accesses the even byte on D7-0 if A0=0 or the odd byte on D7-0 if A0=1. The full word is accessed on D15-0 if both nCE2 and nCE1 are low.

The memory space is selected by asserting low nOE for read accesses or nWE for write accesses, combined with the low assertion of nCE2/nCE1 and nREG.

- If pin nREG=1 during the memory access, the common memory space is selected
- If pin nREG=0 during the memory access, the attribute memory space is selected

The I/O Space is selected by asserting low nIORD for read accesses or nIOWR for write accesses [instead of nOE/nWE for memory Space], combined with nCE2/nCE1. Note that nREG must also be asserted low during accesses to I/O Space.

Three type of accesses are allowed for a 16-bit PC Card:

- Accesses to Common Memory Space for data storage can be either 8-bit accesses at even addresses or 16 bit AHB accesses.
Note that 8-bit accesses at odd addresses are not supported and do not lead to the low assertion of nCE2. A 32-bit AHB request is translated into two 16-bit memory accesses.
- Accesses to Attribute Memory Space where the PC Card stores configuration information are limited to 8-bit AHB accesses at even addresses.
Note that a 16-bit AHB access is converted into a single 8-bit memory transfer: nCE1 is asserted low, nCE2 is asserted high and only the even Byte on D7-D0 is valid. Instead

a 32-bit AHB access is converted into two 8-bit memory transfers at even addresses: nCE1 is asserted low, NCE2 is asserted high and only the even bytes are valid.

- Accesses to I/O Space can be performed either through AHB 8-bit or 16-bit accesses.

Table 204. 16-bit PC-Card signals and access type

nCE2	nCE1	nREG	nOE/nWE	nIORD /nIOWR	A10	A9	A7-1	A0	Space	Access Type	Allowed/not Allowed
1	0	1	0	1	X	X	X-X	X	Common Memory Space	Read/Write byte on D7-D0	YES
0	1	1	0	1	X	X	X-X	X		Read/Write byte on D15-D8	Not supported
0	0	1	0	1	X	X	X-X	0		Read/Write word on D15-D0	YES
X	0	0	0	1	0	1	X-X	0	Attribute Space	Read or Write Configuration registers	YES
X	0	0	0	1	0	0	X-X	0		Read or Write CIS (Card Information Structure)	YES
1	0	0	0	1	X	X	X-X	1	Attribute Space	Invalid Read or Write (odd address)	YES
0	1	0	0	1	X	X	X-X	x		Invalid Read or Write (odd address)	YES
1	0	0	1	0	X	X	X-X	0	I/O space	Read Even Byte on D7-0	YES
1	0	0	1	0	X	X	X-X	1		Read Odd Byte on D7-0	YES
1	0	0	1	0	X	X	X-X	0		Write Even Byte on D7-0	YES
1	0	0	1	0	X	X	X-X	1		Write Odd Byte on D7-0	YES
0	0	0	1	0	X	X	X-X	0		Read Word on D15-0	YES
0	0	0	1	0	X	X	X-X	0		Write word on D15-0	YES
0	1	0	1	0	X	X	X-X	X		Read Odd Byte on D15-8	Not supported
0	1	0	1	0	X	X	X-X	X		Write Odd Byte on D15-8	Not supported

The FSMC Bank 4 gives access to those 3 memory spaces as described in [Section 31.4.2: NAND/PC Card address mapping](#) and [Table 171: Memory mapping and timing registers](#).

Wait Feature

The CompactFlash Storage or PC Card may request the FSMC to extend the length of the access phase programmed by MEMWAITx/ATTWAITx/IOWAITx bits, asserting the nWAIT signal after nOE/nWE or nIORD/nIOWR activation if the wait feature is enabled through the PWAITEN bit in the FSMC_PCRx register. In order to detect the nWAIT assertion correctly, the MEMWAITx/ATTWAITx/IOWAITx bits must be programmed as follows:



$$xxWAITx \geq 4 + \max_wait_assertion_time/HCLK$$

Where max_wait_assertion_time is the maximum time taken by NWAIT to go low once nOE/nWE or nIORD/nIOWR is low.

After the de-assertion of nWAIT, the FSMC extends the WAIT phase for 4 HCLK clock cycles.

31.6.8 NAND flash/PC Card control registers

The NAND flash/PC Card control registers have to be accessed by words (32 bits).

PC Card/NAND flash control registers 2..4 (FSMC_PCR2..4)

Address offset: $0xA0000000 + 0x40 + 0x20 * (x - 1)$, $x = 2..4$

Reset value: 0x0000 0018

31	30	29	28	27	26	25	24	23	22	21	20	19	18	17	16	15	14	13	12	11	10	9	8	7	6	5	4	3	2	1	0
Reserved												ECCPS[2:0]			TAR[2:0]			TCLR[2:0]			Res.		ECCEN	PWID[1:0]		PTYP	PBKEN	PWAITEN	Reserved		
												rw	rw	rw	rw	rw	rw	rw	rw	rw	rw	rw		rw	rw	rw	rw	rw	rw		

Bits 31:20 Reserved, must be kept at reset value.

Bits 19:17 **ECCPS[2:0]**: ECC page size.

Defines the page size for the extended ECC:

- 000: 256 bytes
- 001: 512 bytes
- 010: 1024 bytes
- 011: 2048 bytes
- 100: 4096 bytes
- 101: 8192 bytes

Bits 16:13 **TAR[2:0]**: ALE to RE delay.

Sets time from ALE low to RE low in number of AHB clock cycles (HCLK).

Time is: $t_ar = (TAR + SET + 2) \times THCLK$ where THCLK is the HCLK clock period

- 0000: 1 HCLK cycle (default)
- 1111: 16 HCLK cycles

Note: SET is MEMSET or ATTSET according to the addressed space.

Bits 12:9 **TCLR[2:0]**: CLE to RE delay.

Sets time from CLE low to RE low in number of AHB clock cycles (HCLK).

Time is: $t_clr = (TCLR + SET + 2) \times THCLK$ where THCLK is the HCLK clock period

- 0000: 1 HCLK cycle (default)
- 1111: 16 HCLK cycles

Note: SET is MEMSET or ATTSET according to the addressed space.

Bits 8:7 Reserved, must be kept at reset value.

Bit 6 **ECCEN**: ECC computation logic enable bit

- 0: ECC logic is disabled and reset (default after reset),
- 1: ECC logic is enabled.

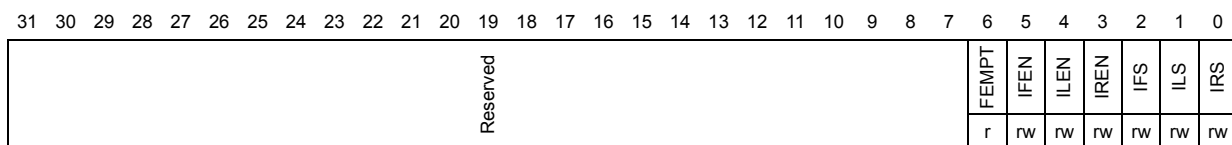
- Bits 5:4 **PWID[1:0]**: Databus width.
 Defines the external memory device width.
 00: 8 bits
 01: 16 bits (default after reset). This value is mandatory for PC Cards.
 10: reserved, do not use
 11: reserved, do not use
- Bit 3 **PTYP**: Memory type.
 Defines the type of device attached to the corresponding memory bank:
 0: PC Card, CompactFlash, CF+ or PCMCIA
 1: NAND flash (default after reset)
- Bit 2 **PBKEN**: PC Card/NAND flash memory bank enable bit.
 Enables the memory bank. Accessing a disabled memory bank causes an ERROR on AHB bus
 0: Corresponding memory bank is disabled (default after reset)
 1: Corresponding memory bank is enabled
- Bit 1 **PWAITEN**: Wait feature enable bit.
 Enables the Wait feature for the PC Card/NAND flash memory bank:
 0: disabled
 1: enabled
*Note: For a PC Card, when the wait feature is enabled, the MEMWAITx/ATTWAITx/IOWAITx bits must be programmed to a value as follows:
 $xxWAITx \geq 4 + \frac{max_wait_assertion_time}{HCLK}$
 Where *max_wait_assertion_time* is the maximum time taken by NWAIT to go low once nOE/nWE or nIORD/nIOWR is low.*
- Bit 0 Reserved, must be kept at reset value.

FIFO status and interrupt register 2..4 (FSMC_SR2..4)

Address offset: 0xA000 0000 + 0x44 + 0x20 * (x-1), x = 2..4

Reset value: 0x0000 0040

This register contains information about FIFO status and interrupt. The FSMC has a FIFO that is used when writing to memories to store up to 16 words of data from the AHB. This is used to quickly write to the AHB and free it for transactions to peripherals other than the FSMC, while the FSMC is draining its FIFO into the memory. This register has one of its bits that indicates the status of the FIFO, for ECC purposes. The ECC is calculated while the data are written to the memory, so in order to read the correct ECC the software must wait until the FIFO is empty.



Bits 31:7 Reserved, must be kept at reset value.



- Bit 6 **FEMPT**: FIFO empty.
Read-only bit that provides the status of the FIFO
0: FIFO not empty
1: FIFO empty
- Bit 5 **IFEN**: Interrupt falling edge detection enable bit
0: Interrupt falling edge detection request disabled
1: Interrupt falling edge detection request enabled
- Bit 4 **ILEN**: Interrupt high-level detection enable bit
0: Interrupt high-level detection request disabled
1: Interrupt high-level detection request enabled
- Bit 3 **IREN**: Interrupt rising edge detection enable bit
0: Interrupt rising edge detection request disabled
1: Interrupt rising edge detection request enabled
- Bit 2 **IFS**: Interrupt falling edge status
The flag is set by hardware and reset by software.
0: No interrupt falling edge occurred
1: Interrupt falling edge occurred

Note: This bit is set by programming it to 1 by software.

- Bit 1 **ILS**: Interrupt high-level status
The flag is set by hardware and reset by software.
0: No Interrupt high-level occurred
1: Interrupt high-level occurred
- Bit 0 **IRS**: Interrupt rising edge status
The flag is set by hardware and reset by software.
0: No interrupt rising edge occurred
1: Interrupt rising edge occurred

Note: This bit is set by programming it to 1 by software.

Common memory space timing register 2..4 (FSMC_PMEM2..4)

Address offset: Address: $0xA000\ 0000 + 0x48 + 0x20 * (x - 1)$, $x = 2..4$

Reset value: 0xFCFC FCFC

Each FSMC_PMEMx (x = 2..4) read/write register contains the timing information for PC Card or NAND flash memory bank x, used for access to the common memory space of the 16-bit PC Card/CompactFlash, or to access the NAND flash for command, address write access and data read/write access.

31	30	29	28	27	26	25	24	23	22	21	20	19	18	17	16	15	14	13	12	11	10	9	8	7	6	5	4	3	2	1	0	
MEMHIZ[7:0]								MEMHOLD[7:0]								MEMWAIT[7:0]								MEMSET[7:0]								
rW	rW	rW	rW	rW	rW	rW	rW	rW	rW	rW	rW	rW	rW	rW	rW	rW	rW	rW	rW	rW	rW	rW	rW	rW	rW	rW	rW	rW	rW	rW	rW	rW

Bits 31:24 **MEMHIZx[7:0]**: Common memory x databus HiZ time

Defines the number of HCLK clock cycles during which the databus is kept in HiZ after the start of a PC Card/NAND flash write access to common memory space on socket x. Only valid for write transaction:

- 0000 0000: 1 HCLK cycle
- 1111 1110: 255 HCLK cycles
- 1111 1111: Reserved

Bits 23:16 **MEMHOLDx[7:0]**: Common memory x hold time

For NAND flash read accesses to the common memory space, these bits define the number of (HCLK+2) clock cycles during which the address is held after the command is deasserted (NWE, NOE).

For NAND flash write accesses to the common memory space, these bits define the number of HCLK clock cycles during which the data are held after the command is deasserted (NWE, NOE).

- 0000 0000: Reserved
- 0000 0001: 1 HCLK cycle for write accesses, 3 HCLK cycles for read accesses
- 1111 1110: 254 HCLK cycle for write accesses, 256 HCLK cycles for read accesses
- 1111 1111: Reserved

Bits 15:8 **MEMWAITx[7:0]**: Common memory x wait time

Defines the minimum number of HCLK (+1) clock cycles to assert the command (NWE, NOE), for PC Card/NAND flash read or write access to common memory space on socket x. The duration for command assertion is extended if the wait signal (NWAIT) is active (low) at the end of the programmed value of HCLK:

- 0000 0000: Reserved
- 0000 0001: 2 HCLK cycles (+ wait cycle introduced by deasserting NWAIT)
- 1111 1110: 255 HCLK cycles (+ wait cycle introduced by deasserting NWAIT)
- 1111 1111: Reserved.

Bits 7:0 **MEMSETx[7:0]**: Common memory x setup time

Defines the number of HCLK (+1) clock cycles to set up the address before the command assertion (NWE, NOE), for PC Card/NAND flash read or write access to common memory space on socket x:

- 0000 0000: 1 HCLK cycle
- 1111 1110: 255 HCLK cycles
- 1111 1111: Reserved

Attribute memory space timing registers 2..4 (FSMC_PATT2..4)

Address offset: 0xA000 0000 + 0x4C + 0x20 * (x - 1), x = 2..4

Reset value: 0xFCFC FCFC

Each FSMC_PATTx (x = 2..4) read/write register contains the timing information for PC Card/CompactFlash or NAND flash memory bank x. It is used for 8-bit accesses to the attribute memory space of the PC Card/CompactFlash or to access the NAND flash for the last address write access if the timing must differ from that of previous accesses (for Ready/Busy management, refer to [Section 31.6.5: NAND flash prewait functionality](#)).

31	30	29	28	27	26	25	24	23	22	21	20	19	18	17	16	15	14	13	12	11	10	9	8	7	6	5	4	3	2	1	0
ATTHIZ[7:0]								ATTHOLD[7:0]								ATTWAIT[7:0]								ATTSET[7:0]							
rW	rW	rW	rW	rW	rW	rW	rW	rW	rW	rW	rW	rW	rW	rW	rW	rW	rW	rW	rW	rW	rW	rW	rW	rW	rW	rW	rW	rW	rW	rW	rW



- Bits 31:24 **ATTIHZ[7:0]**: Attribute memory x databus HiZ time
 Defines the number of HCLK clock cycles during which the databus is kept in HiZ after the start of a PC CARD/NAND flash write access to attribute memory space on socket x. Only valid for write transaction:
 0000 0000: 0 HCLK cycle
 1111 1110: 255 HCLK cycles
 1111 1111: Reserved.
- Bits 23:16 **ATTHOLD[7:0]**: Attribute memory x hold time
 For PC Card/NAND flash read accesses to attribute memory space on socket x, these bits define the number of HCLK clock cycles (HCLK +2) clock cycles during which the address is held after the command is deasserted (NWE, NOE).
 For PC Card/NAND flash write accesses to attribute memory space on socket x, these bits define the number of HCLK clock cycles during which the data are held after the command is deasserted (NWE, NOE).
 0000 0000: reserved
 0000 0001: 1 HCLK cycle for write access, 3 HCLK cycles for read accesses
 1111 1110: 254 HCLK cycle for write access, 256 HCLK cycles for read accesses
 1111 1111: Reserved
- Bits 15:8 **ATTWAIT[7:0]**: Attribute memory x wait time
 Defines the minimum number of HCLK (+1) clock cycles to assert the command (NWE, NOE), for PC Card/NAND flash read or write access to attribute memory space on socket x. The duration for command assertion is extended if the wait signal (NWAIT) is active (low) at the end of the programmed value of HCLK:
 0000 0000: Reserved
 0000 0001: 2 HCLK cycles (+ wait cycle introduced by deassertion of NWAIT)
 1111 1111: 255 HCLK cycles (+ wait cycle introduced by deasserting NWAIT)
 1111 1111: Reserved.
- Bits 7:0 **ATTSET[7:0]**: Attribute memory x setup time
 Defines the number of HCLK (+1) clock cycles to set up address before the command assertion (NWE, NOE), for PC CARD/NAND flash read or write access to attribute memory space on socket x:
 0000 0000: 1 HCLK cycle
 1111 1110: 255 HCLK cycles
 1111 1111: Reserved.

I/O space timing register 4 (FSMC_PIO4)

Address offset: 0xA000 0000 + 0xB0
 Reset value: 0xFCFCFCFC

The FSMC_PIO4 read/write registers contain the timing information used to gain access to the I/O space of the 16-bit PC Card/CompactFlash.

31	30	29	28	27	26	25	24	23	22	21	20	19	18	17	16	15	14	13	12	11	10	9	8	7	6	5	4	3	2	1	0
IOHIHZ[7:0]								IOHOLD[7:0]								IOWAIT[7:0]								IOSET[7:0]							
rw	rw	rw	rw	rw	rw	rw	rw	rw	rw	rw	rw	rw	rw	rw	rw	rw	rw	rw	rw	rw	rw	rw	rw	rw	rw	rw	rw	rw	rw	rw	



- Bits 31:24 **IOHIZ[7:0]:** I/O x databus HiZ time
 Defines the number of HCLK clock cycles during which the databus is kept in HiZ after the start of a PC Card write access to I/O space on socket x. Only valid for write transaction:
 0000 0000: 0 HCLK cycle
 1111 1111: 255 HCLK cycles (default value after reset)

- Bits 23:16 **IOHOLD[7:0]:** I/O x hold time
 Defines the number of HCLK clock cycles to hold address (and data for write access) after the command deassertion (NWE, NOE), for PC Card read or write access to I/O space on socket x:
 0000 0000: reserved
 0000 0001: 1 HCLK cycle
 1111 1111: 255 HCLK cycles (default value after reset)

- Bits 15:8 **IOWAIT[7:0]:** I/O x wait time
 Defines the minimum number of HCLK (+1) clock cycles to assert the command (SMNWE, SMNOE), for PC Card read or write access to I/O space on socket x. The duration for command assertion is extended if the wait signal (NWAIT) is active (low) at the end of the programmed value of HCLK:
 0000 0000: reserved, do not use this value
 0000 0001: 2 HCLK cycles (+ wait cycle introduced by deassertion of NWAIT)
 1111 1111: 256 HCLK cycles (+ wait cycle introduced by the Card deasserting NWAIT) (default value after reset)

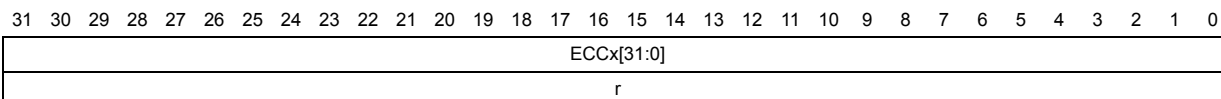
- Bits 7:0 **IOSET[7:0]:** I/O x setup time
 Defines the number of HCLK (+1) clock cycles to set up the address before the command assertion (NWE, NOE), for PC Card read or write access to I/O space on socket x:
 0000 0000: 1 HCLK cycle
 1111 1111: 256 HCLK cycles (default value after reset)

ECC result registers 2/3 (FSMC_ECCR2/3)

Address offset: 0xA000 0000 + 0x54 + 0x20 * (x - 1), x = 2 or 3

Reset value: 0x0000 0000

These registers contain the current error correction code value computed by the ECC computation modules of the FSMC controller (one module per NAND flash memory bank). When the CPU reads the data from a NAND flash memory page at the correct address (refer to [Section 31.6.6](#)), the data read from or written to the NAND flash are processed automatically by ECC computation module. At the end of X bytes read (according to the ECCPS field in the FSMC_PCRx registers), the CPU must read the computed ECC value from the FSMC_ECCx registers, and then verify whether these computed parity data are the same as the parity value recorded in the spare area, to determine whether a page is valid, and, to correct it if applicable. The FSMC_ECCRx registers should be cleared after being read by setting the ECCEN bit to zero. For computing a new data block, the ECCEN bit must be set to one.



Bits 31:0 **ECCx[31:0]**: ECC result

This field provides the value computed by the ECC computation logic. [Table 205](#) hereafter describes the contents of these bit fields.

Table 205. ECC result relevant bits

ECCPS[2:0]	Page size in bytes	ECC bits
000	256	ECC[21:0]
001	512	ECC[23:0]
010	1024	ECC[25:0]
011	2048	ECC[27:0]
100	4096	ECC[29:0]
101	8192	ECC[31:0]

31.6.9 FSMC register map

The following table summarizes the FSMC registers.

Table 206. FSMC register map

Offset	Register	31	30	29	28	27	26	25	24	23	22	21	20	19	18	17	16	15	14	13	12	11	10	9	8	7	6	5	4	3	2	1	0
0000	FSMC_BCR1	Reserved													CBURSTRW	CPSIZE[2:0]			ASYNWAIT	EXTMOD	WAITEN	WREN	WAITCFG	WRAPMOD	WAITPOL	BURSTEN	Reserved	FACCEN	MWID[1:0]		MTYP[0:1]	MUXEN	MBKEN
0008	FSMC_BCR2	Reserved													CBURSTRW	CPSIZE[2:0]			ASYNWAIT	EXTMOD	WAITEN	WREN	WAITCFG	WRAPMOD	WAITPOL	BURSTEN	Reserved	FACCEN	MWID[1:0]		MTYP[0:1]	MUXEN	MBKEN
0010	FSMC_BCR3	Reserved													CBURSTRW	CPSIZE[2:0]			ASYNWAIT	EXTMOD	WAITEN	WREN	WAITCFG	WRAPMOD	WAITPOL	BURSTEN	Reserved	FACCEN	MWID[1:0]		MTYP[0:1]	MUXEN	MBKEN
0018	FSMC_BCR4	Reserved													CBURSTRW	CPSIZE[2:0]			ASYNWAIT	EXTMOD	WAITEN	WREN	WAITCFG	WRAPMOD	WAITPOL	BURSTEN	Reserved	FACCEN	MWID[1:0]		MTYP[0:1]	MUXEN	MBKEN
0004	FSMC_BTR1	Res.	ACCMOD[1:0]		DATLAT[3:0]		CLKDIV[3:0]		BUSTURN[3:0]		DATAS[7:0]		ADDHLD[3:0]		ADDSET[3:0]																		
000C	FSMC_BTR2	Res.	ACCMOD[1:0]		DATLAT[3:0]		CLKDIV[3:0]		BUSTURN[3:0]		DATAS[7:0]		ADDHLD[3:0]		ADDSET[3:0]																		
0014	FSMC_BTR3	Res.	ACCMOD[1:0]		DATLAT[3:0]		CLKDIV[3:0]		BUSTURN[3:0]		DATAS[7:0]		ADDHLD[3:0]		ADDSET[3:0]																		
001C	FSMC_BTR4	Res.	ACCMOD[1:0]		DATLAT[3:0]		CLKDIV[3:0]		BUSTURN[3:0]		DATAS[7:0]		ADDHLD[3:0]		ADDSET[3:0]																		
0104	FSMC_BWTR ₁	Res.	ACC MOD [1:0]		Res.		BUSTURN[3:0]		DATAS[7:0]		ADDHLD[3:0]		ADDSET[3:0]																				
010C	FSMC_BWTR ₂	Res.	ACC MOD [1:0]		Res.		BUSTURN[3:0]		DATAS[7:0]		ADDHLD[3:0]		ADDSET[3:0]																				

Table 206. FSMC register map (continued)

Offset	Register	31	30	29	28	27	26	25	24	23	22	21	20	19	18	17	16	15	14	13	12	11	10	9	8	7	6	5	4	3	2	1	0
0114	FSMC_BWTR ₃	Res.	ACC MOD [1:0]	Res.										BUSTURN[3:0]			DATAST[7:0]					ADDHLD[3:0]			ADDSET[3:0]								
011C	FSMC_BWTR ₄	Res.	ACC MOD [1:0]	Res.										BUSTURN[3:0]			DATAST[7:0]					ADDHLD[3:0]			ADDSET[3:0]								
0xA000 0060	FSMC_PCR2	Reserved												ECCPS[2:0]		TAR[2:0]		TCLR[2:0]		Res.	ECCEN	PWID[1:0]		PTYP	PBKEN	PWAITEN	Reserved						
0xA000 0080	FSMC_PCR3	Reserved												ECCPS[2:0]		TAR[2:0]		TCLR[2:0]		Res.	ECCEN	PWID[1:0]		PTYP	PBKEN	PWAITEN	Reserved						
0xA000 00A0	FSMC_PCR4	Reserved												ECCPS[2:0]		TAR[2:0]		TCLR[2:0]		Res.	ECCEN	PWID[1:0]		PTYP	PBKEN	PWAITEN	Reserved						
0xA000 0064	FSMC_SR2	Reserved														FEMPT	IFEN	ILEN	IREN	IFS	ILS	IRS											
0xA000 0084	FSMC_SR3	Reserved														FEMPT	IFEN	ILEN	IREN	IFS	ILS	IRS											
0xA000 00A4	FSMC_SR4	Reserved														FEMPT	IFEN	ILEN	IREN	IFS	ILS	IRS											
0xA000 0068	FSMC_PMEM ₂	MEMHIZ[7:0]					MEMHOLD[7:0]					MEMWAIT[7:0]					MEMSET[7:0]																
0xA000 0088	FSMC_PMEM ₃	MEMHIZ[7:0]					MEMHOLD[7:0]					MEMWAIT[7:0]					MEMSET[7:0]																
0xA000 00A8	FSMC_PMEM ₄	MEMHIZ[7:0]					MEMHOLD[7:0]					MEMWAIT[7:0]					MEMSET[7:0]																
0xA000 006C	FSMC_PATT2	ATTHIZ[7:0]					ATTHOLD[7:0]					ATTWAIT[7:0]					ATTSET[7:0]																
0xA000 008C	FSMC_PATT3	ATTHIZ[7:0]					ATTHOLD[7:0]					ATTWAIT[7:0]					ATTSET[7:0]																
0xA000 00AC	FSMC_PATT4	ATTHIZ[7:0]					ATTHOLD[7:0]					ATTWAIT[7:0]					ATTSET[7:0]																
0xA000 00B0	FSMC_PIO4	IOHIZ[7:0]					IOHOLD[7:0]					IOWAIT[7:0]					IOSET[7:0]																
0xA000 0074	FSMC_ECCR2	ECC[31:0]																															
0xA000 0094	FSMC_ECCR3	ECC[31:0]																															

Refer to [Section 2.3: Memory map](#) for the register boundary addresses.

32 Debug support (DBG)

This section applies to the whole STM32F20x and STM32F21x family, unless otherwise specified.

32.1 Overview

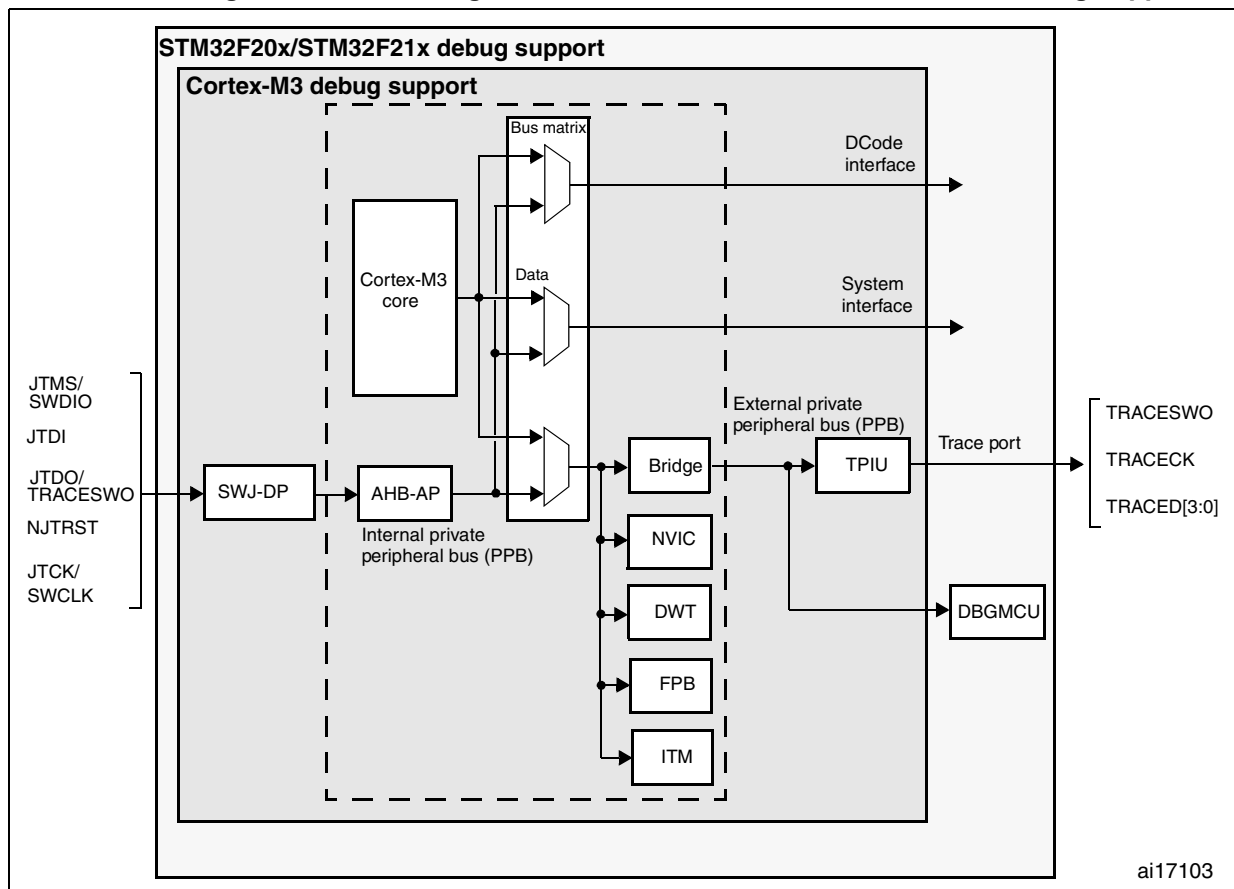
The STM32F20x and STM32F21x are built around a Cortex[®]-M3 core, which contains hardware extensions for advanced debugging features. The debug extensions allow the core to be stopped either on a given instruction fetch (breakpoint), or on data access (watchpoint). When stopped, the core's internal state and the system's external state may be examined. Once examination is complete, the core and the system may be restored and program execution resumed.

The debug features are used by the debugger host when connecting to and debugging the STM32F20x and STM32F21x MCUs.

Two interfaces for debug are available:

- Serial wire
- JTAG debug port

Figure 419. Block diagram of STM32 MCU and Cortex[®]-M3-level debug support



Note: The debug features embedded in the Cortex[®]-M3 core are a subset of the Arm[®] CoreSight Design Kit.

The Arm[®] Cortex[®]-M3 core provides integrated on-chip debug support. It is comprised of:

- SWJ-DP: Serial wire / JTAG debug port
- AHP-AP: AHB access port
- ITM: Instrumentation trace macrocell
- FPB: Flash patch breakpoint
- DWT: Data watchpoint trigger
- TPUI: Trace port unit interface (available on larger packages, where the corresponding pins are mapped)
- ETM: Embedded Trace Macrocell (available on larger packages, where the corresponding pins are mapped)

It also includes debug features dedicated to the STM32F20x and STM32F21x:

- Flexible debug pinout assignment
- MCU debug box (support for low-power modes, control over peripheral clocks, etc.)

Note: For further information on debug functionality supported by the Arm[®] Cortex[®]-M3 core, refer to the Cortex[®]-M3 -r2p0 Technical Reference Manual and to the CoreSight Design Kit-r2p0 TRM (see [Section 32.2](#)).

32.2 Reference Arm[®] documentation

- Cortex[®]-M3 r2p0 Technical Reference Manual (TRM)
(see Related documents on page 1)
- Arm[®] Debug Interface V5
- Arm[®] CoreSight Design Kit revision r2p0 Technical Reference Manual

32.3 SWJ debug port (serial wire and JTAG)

The core of the STM32F20x and STM32F21x integrates the Serial Wire / JTAG Debug Port (SWJ-DP). It is an Arm[®] standard CoreSight debug port that combines a JTAG-DP (5-pin) interface and a SW-DP (2-pin) interface.

- The JTAG Debug Port (JTAG-DP) provides a 5-pin standard JTAG interface to the AHP-AP port.
- The Serial Wire Debug Port (SW-DP) provides a 2-pin (clock + data) interface to the AHP-AP port.

In the SWJ-DP, the two JTAG pins of the SW-DP are multiplexed with some of the five JTAG pins of the JTAG-DP.

Figure 420. SWJ debug port

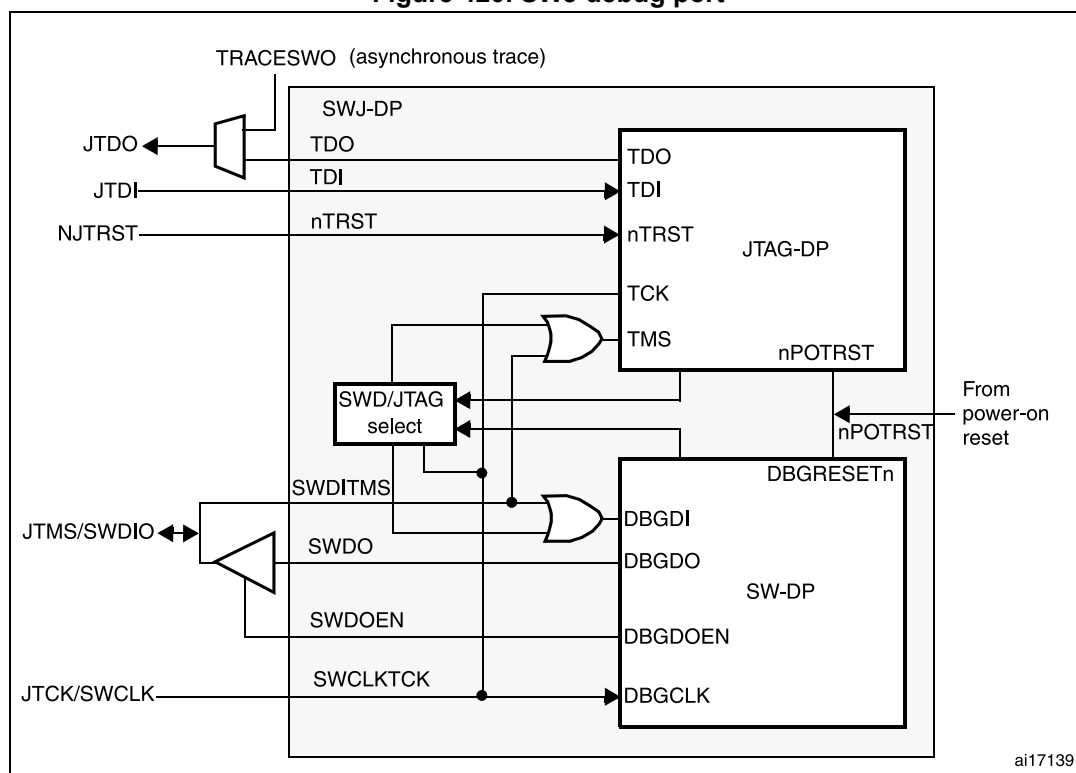


Figure 420 shows that the asynchronous TRACE output (TRACESWO) is multiplexed with TDO. This means that the asynchronous trace can only be used with SW-DP, not JTAG-DP.

32.3.1 Mechanism to select the JTAG-DP or the SW-DP

By default, the JTAG-Debug Port is active.

If the debugger host wants to switch to the SW-DP, it must provide a dedicated JTAG sequence on TMS/TCK (respectively mapped to SWDIO and SWCLK) which disables the JTAG-DP and enables the SW-DP. This way it is possible to activate the SWDP using only the SWCLK and SWDIO pins.

This sequence is:

1. Send more than 50 TCK cycles with TMS (SWDIO) =1
2. Send the 16-bit sequence on TMS (SWDIO) = 0111100111100111 (MSB transmitted first)
3. Send more than 50 TCK cycles with TMS (SWDIO) =1

32.4 Pinout and debug port pins

The STM32F20x and STM32F21x MCUs are available in various packages with different numbers of available pins. As a result, some functionality (ETM) related to pin availability may differ between packages.

32.4.1 SWJ debug port pins

Five pins are used as outputs from the STM32F20x and STM32F21x for the SWJ-DP as *alternate functions* of general-purpose I/Os. These pins are available on all packages.

Table 207. SWJ debug port pins

SWJ-DP pin name	JTAG debug port		SW debug port		Pin assignment
	Type	Description	Type	Debug assignment	
JTMS/SWDIO	I	JTAG Test Mode Selection	IO	Serial Wire Data Input/Output	PA13
JTCK/SWCLK	I	JTAG Test Clock	I	Serial Wire Clock	PA14
JTDI	I	JTAG Test Data Input	-	-	PA15
JTDO/TRACESWO	O	JTAG Test Data Output	-	TRACESWO if async trace is enabled	PB3
NJTRST	I	JTAG Test nReset	-	-	PB4

32.4.2 Flexible SWJ-DP pin assignment

After RESET (SYSRESETn or PORESETn), all five pins used for the SWJ-DP are assigned as dedicated pins immediately usable by the debugger host (note that the trace outputs are not assigned except if explicitly programmed by the debugger host).

However, the STM32F20x and STM32F21x MCUs offers the possibility of disabling some or all of the SWJ-DP ports and so, of releasing the associated pins for general-purpose IO (GPIO) usage. For more details on how to disable SWJ-DP port pins, refer to [Section 6.3.2: I/O pin multiplexer and mapping](#).

Table 208. Flexible SWJ-DP pin assignment

Available debug ports	SWJ IO pin assigned				
	PA13 / JTMS / SWDIO	PA14 / JTCK / SWCLK	PA15 / JTDI	PB3 / JTDO	PB4 / NJTRST
Full SWJ (JTAG-DP + SW-DP) - Reset State	X	X	X	X	X
Full SWJ (JTAG-DP + SW-DP) but without NJTRST	X	X	X	X	
JTAG-DP Disabled and SW-DP Enabled	X	X			
JTAG-DP Disabled and SW-DP Disabled	Released				

32.4.3 Internal pull-up and pull-down on JTAG pins

It is necessary to ensure that the JTAG input pins are not floating since they are directly connected to flip-flops to control the debug mode features. Special care must be taken with the SWCLK/TCK pin which is directly connected to the clock of some of these flip-flops.

To avoid any uncontrolled IO levels, the device embeds internal pull-ups and pull-downs on the JTAG input pins:

- NJTRST: Internal pull-up
- JTDI: Internal pull-up
- JTMS/SWDIO: Internal pull-up
- TCK/SWCLK: Internal pull-down

Once a JTAG IO is released by the user software, the GPIO controller takes control again. The reset states of the GPIO control registers put the I/Os in the equivalent state:

- NJTRST: AF input pull-up
- JTDI: AF input pull-up
- JTMS/SWDIO: AF input pull-up
- JTCK/SWCLK: AF input pull-down
- JTDO: AF output floating

The software can then use these I/Os as standard GPIOs.

Note: The JTAG IEEE standard recommends to add pull-ups on TDI, TMS and nTRST but there is no special recommendation for TCK. However, for JTCK, the device needs an integrated pull-down.

Having embedded pull-ups and pull-downs removes the need to add external resistors.

32.4.4 Using serial wire and releasing the unused debug pins as GPIOs

To use the serial wire DP to release some GPIOs, the user software must change the GPIO (PA15, PB3 and PB4) configuration mode in the GPIO_MODER register. This releases PA15, PB3 and PB4 which now become available as GPIOs.

When debugging, the host performs the following actions:

- Under system reset, all SWJ pins are assigned (JTAG-DP + SW-DP).
- Under system reset, the debugger host sends the JTAG sequence to switch from the JTAG-DP to the SW-DP.
- Still under system reset, the debugger sets a breakpoint on vector reset.
- The system reset is released and the Core halts.
- All the debug communications from this point are done using the SW-DP. The other JTAG pins can then be reassigned as GPIOs by the user software.

Note: For user software designs, note that:

To release the debug pins, remember that they are first configured either in input-pull-up (nTRST, TMS, TDI) or pull-down (TCK) or output tristate (TDO) for a certain duration after reset until the instant when the user software releases the pins.

When debug pins (JTAG or SW or TRACE) are mapped, changing the corresponding IO pin configuration in the IOPORT controller has no effect.

32.5 STM32F20x and STM32F21x JTAG TAP connection

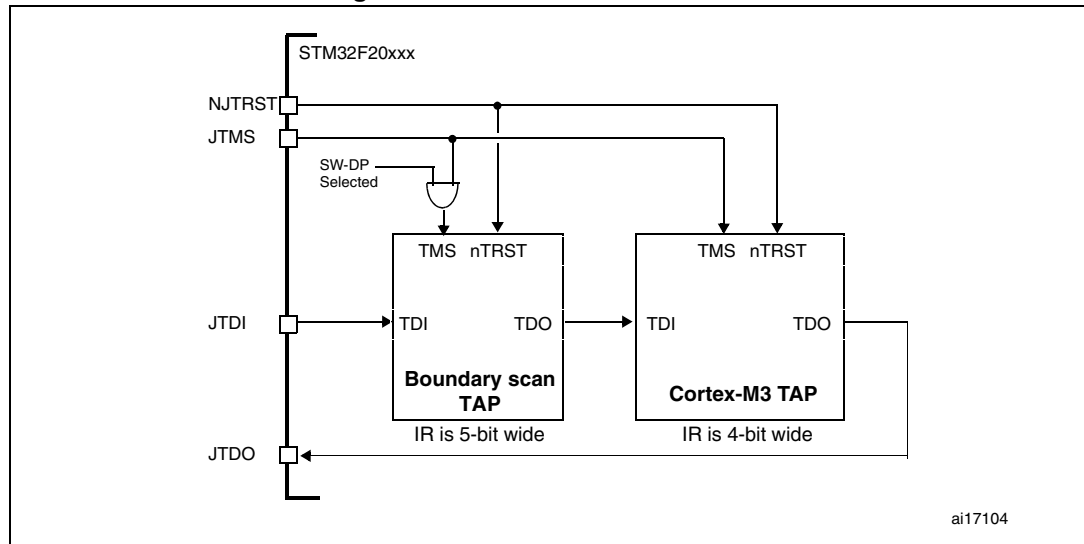
The STM32F20x and STM32F21x MCUs integrate two serially connected JTAG TAPs, the boundary scan TAP (IR is 5-bit wide) and the Cortex[®]-M3 TAP (IR is 4-bit wide).

To access the TAP of the Cortex[®]-M3 for debug purposes:

1. First, it is necessary to shift the BYPASS instruction of the boundary scan TAP.
2. Then, for each IR shift, the scan chain contains 9 bits (=5+4) and the unused TAP instruction must be shifted in using the BYPASS instruction.
3. For each data shift, the unused TAP, which is in BYPASS mode, adds 1 extra data bit in the data scan chain.

Note: *Important: Once Serial-Wire is selected using the dedicated Arm® JTAG sequence, the boundary scan TAP is automatically disabled (JTMS forced high).*

Figure 421. JTAG TAP connections



32.6 ID codes and locking mechanism

There are several ID codes inside the STM32F20x and STM32F21x MCUs. ST strongly recommends tools designers to lock their debuggers using the MCU DEVICE ID code located in the external PPB memory map at address 0xE0042000.

32.6.1 MCU device ID code

The STM32F20x and STM32F21x MCUs integrate an MCU ID code. This ID identifies the ST MCU part-number and the die revision. It is part of the DBG_MCU component and is mapped on the external PPB bus (see [Section 32.16](#)). This code is accessible using the JTAG debug port (four to five pins) or the SW debug port (two pins) or by the user software. It is even accessible while the MCU is under system reset.

Only the DEV_ID[11:0] must be used for identification by the debugger/programmer tools.

DBGMCU_IDCODE

Address: 0xE004 2000

Only 32-bits access supported. Read-only.

31	30	29	28	27	26	25	24	23	22	21	20	19	18	17	16
REV_ID[15:0]															
r	r	r	r	r	r	r	r	r	r	r	r	r	r	r	r

15	14	13	12	11	10	9	8	7	6	5	4	3	2	1	0	
Reserved				DEV_ID[11:0]												
				r	r	r	r	r	r	r	r	r	r	r	r	r

Bits 31:16 **REV_ID[15:0]** Revision identifier

This field indicates the revision of the device:

0x1000 = Revision A

0x1001 = Revision Z

0x2000 = Revision B

0x2001 = Revision Y

0x2003 = Revision X

0x2007 = Revision 1

0x200F = Revision V

0x201F = Revision 2 or 3

0x203F = Revision 4 or 5

Bits 15:12 Reserved, must be kept at reset value.

Bits 11:0 **DEV_ID[11:0]**: Device identifier

The device ID is 0x411

32.6.2 Boundary scan TAP

JTAG ID code

The TAP of the STM32F20x and STM32F21x BSC (boundary scan) integrates a JTAG ID code equal to 0x0BA00477.

32.6.3 Cortex[®]-M3 TAP

The TAP of the Arm[®] Cortex[®]-M3 integrates a JTAG ID code. This ID code is the Arm[®] default one and has not been modified. This code is only accessible by the JTAG Debug Port, it is 0x0BA00477 (corresponds to Cortex[®]-M3 r2p0, see [Section 32.2](#)).

32.6.4 Cortex[®]-M3 JEDEC-106 ID code

The Arm[®] Cortex[®]-M3 integrates a JEDEC-106 ID code. It is located in the 4 KB ROM table mapped on the internal PPB bus at address 0xE00FF000_0xE00FFFFF.

This code is accessible by the JTAG Debug Port (4 to 5 pins) or by the SW Debug Port (two pins) or by the user software.

32.7 JTAG debug port

A standard JTAG state machine is implemented with a 4-bit instruction register (IR) and five data registers (for full details, refer to the Cortex[®]-M3 r2p0 *Technical Reference Manual (TRM)*, for references, see [Section 32.2](#)).

Table 209. JTAG debug port data registers

IR(3:0)	Data register	Details
1111	BYPASS [1 bit]	-
1110	IDCODE [32 bits]	ID CODE 0x0BA00477 (Arm® Cortex®-M3 r2p0 ID Code)
1010	DPACC [35 bits]	<p>Debug port access register This initiates a debug port and allows access to a debug port register.</p> <ul style="list-style-type: none"> - When transferring data IN: <ul style="list-style-type: none"> Bits 34:3 = DATA[31:0] = 32-bit data to transfer for a write request Bits 2:1 = A[3:2] = 2-bit address of a debug port register. Bit 0 = RnW = Read request (1) or write request (0). - When transferring data OUT: <ul style="list-style-type: none"> Bits 34:3 = DATA[31:0] = 32-bit data which is read following a read request Bits 2:0 = ACK[2:0] = 3-bit Acknowledge: <ul style="list-style-type: none"> 010 = OK/FAULT 001 = WAIT OTHER = reserved <p>Refer to Table 210 for a description of the A[3:2] bits</p>
1011	APACC [35 bits]	<p>Access port access register Initiates an access port and allows access to an access port register.</p> <ul style="list-style-type: none"> - When transferring data IN: <ul style="list-style-type: none"> Bits 34:3 = DATA[31:0] = 32-bit data to shift in for a write request Bits 2:1 = A[3:2] = 2-bit address (sub-address AP registers). Bit 0 = RnW= Read request (1) or write request (0). - When transferring data OUT: <ul style="list-style-type: none"> Bits 34:3 = DATA[31:0] = 32-bit data which is read following a read request Bits 2:0 = ACK[2:0] = 3-bit Acknowledge: <ul style="list-style-type: none"> 010 = OK/FAULT 001 = WAIT OTHER = reserved <p>There are many AP registers (see AHB-AP) addressed as the combination of:</p> <ul style="list-style-type: none"> - The shifted value A[3:2] - The current value of the DP SELECT register
1000	ABORT [35 bits]	<p>Abort register</p> <ul style="list-style-type: none"> - Bits 31:1 = Reserved - Bit 0 = DAPABORT: write 1 to generate a DAP abort.

Table 210. 32-bit debug port registers addressed through the shifted value A[3:2]

Address	A[3:2] value	Description
0x0	00	Reserved, must be kept at reset value.
0x4	01	DP CTRL/STAT register. Used to: <ul style="list-style-type: none"> – Request a system or debug power-up – Configure the transfer operation for AP accesses – Control the pushed compare and pushed verify operations. – Read some status flags (overrun, power-up acknowledges)
0x8	10	DP SELECT register: Used to select the current access port and the active 4-words register window. <ul style="list-style-type: none"> – Bits 31:24: APSEL: select the current AP – Bits 23:8: reserved – Bits 7:4: APBANKSEL: select the active 4-words register window on the current AP – Bits 3:0: reserved
0xC	11	DP RDBUFF register: Used to allow the debugger to get the final result after a sequence of operations (without requesting new JTAG-DP operation)

32.8 SW debug port

32.8.1 SW protocol introduction

This synchronous serial protocol uses two pins:

- SWCLK: clock from host to target
- SWDIO: bidirectional

The protocol allows two banks of registers (DPACC registers and APACC registers) to be read and written to.

Bits are transferred LSB-first on the wire.

For SWDIO bidirectional management, the line must be pulled-up on the board (100 K Ω recommended by Arm[®]).

Each time the direction of SWDIO changes in the protocol, a turnaround time is inserted where the line is not driven by the host nor the target. By default, this turnaround time is one bit time, however this can be adjusted by configuring the SWCLK frequency.

32.8.2 SW protocol sequence

Each sequence consist of three phases:

1. Packet request (8 bits) transmitted by the host
2. Acknowledge response (3 bits) transmitted by the target
3. Data transfer phase (33 bits) transmitted by the host or the target

Table 211. Packet request (8-bits)

Bit	Name	Description
0	Start	Must be "1"
1	APnDP	0: DP Access 1: AP Access
2	RnW	0: Write Request 1: Read Request
4:3	A[3:2]	Address field of the DP or AP registers (refer to Table 210)
5	Parity	Single bit parity of preceding bits
6	Stop	0
7	Park	Not driven by the host. Must be read as "1" by the target because of the pull-up

Refer to the Cortex[®]-M3 r2p0 *TRM* for a detailed description of DPACC and APACC registers.

The packet request is always followed by the turnaround time (default 1 bit) where neither the host nor target drive the line.

Table 212. ACK response (3 bits)

Bit	Name	Description
0..2	ACK	001: FAULT 010: WAIT 100: OK

The ACK Response must be followed by a turnaround time only if it is a READ transaction or if a WAIT or FAULT acknowledge has been received.

Table 213. DATA transfer (33 bits)

Bit	Name	Description
0..31	WDATA or RDATA	Write or Read data
32	Parity	Single parity of the 32 data bits

The DATA transfer must be followed by a turnaround time only if it is a READ transaction.

32.8.3 SW-DP state machine (reset, idle states, ID code)

The State Machine of the SW-DP has an internal ID code which identifies the SW-DP. It follows the JEP-106 standard. This ID code is the default Arm[®] one and is set to **0x2BA01477** (corresponding to Cortex[®]-M3 r2p0).

Note: Note that the SW-DP state machine is inactive until the target reads this ID code.

- The SW-DP state machine is in RESET STATE either after power-on reset, or after the DP has switched from JTAG to SWD or after the line is high for more than 50 cycles
- The SW-DP state machine is in IDLE STATE if the line is low for at least two cycles after RESET state.
- After RESET state, it is **mandatory** to first enter into an IDLE state AND to perform a READ access of the DP-SW ID CODE register. Otherwise, the target issues a FAULT acknowledge response on another transactions.

Further details of the SW-DP state machine can be found in the Cortex[®]-M3 *r2p0 TRM* and the *CoreSight Design Kit r2p0 TRM*.

32.8.4 DP and AP read/write accesses

- Read accesses to the DP are not posted: the target response can be immediate (if ACK=OK) or can be delayed (if ACK=WAIT).
- Read accesses to the AP are posted. This means that the result of the access is returned on the next transfer. If the next access to be done is NOT an AP access, then the DP-RDBUFF register must be read to obtain the result. The READOK flag of the DP-CTRL/STAT register is updated on every AP read access or RDBUFF read request to know if the AP read access was successful.
- The SW-DP implements a write buffer (for both DP or AP writes), that enables it to accept a write operation even when other transactions are still outstanding. If the write buffer is full, the target acknowledge response is “WAIT”. With the exception of IDCODE read or CTRL/STAT read or ABORT write which are accepted even if the write buffer is full.
- Because of the asynchronous clock domains SWCLK and HCLK, two extra SWCLK cycles are needed after a write transaction (after the parity bit) to make the write effective internally. These cycles must be applied while driving the line low (IDLE state) This is particularly important when writing the CTRL/STAT for a power-up request. If the next transaction (requiring a power-up) occurs immediately, it fails.

32.8.5 SW-DP registers

Access to these registers are initiated when APnDP=0

Table 214. SW-DP registers

A[3:2]	R/W	CTRLSEL bit of SELECT register	Register	Notes
00	Read	-	IDCODE	The manufacturer code is not set to ST code. 0x2BA01477 (identifies the SW-DP)
00	Write	-	ABORT	-

Table 214. SW-DP registers (continued)

A[3:2]	R/W	CTRLSEL bit of SELECT register	Register	Notes
01	Read/Write	0	DP-CTRL/STAT	Purpose is to: – request a system or debug power-up – configure the transfer operation for AP accesses – control the pushed compare and pushed verify operations. – read some status flags (overrun, power-up acknowledges)
01	Read/Write	1	WIRE CONTROL	Purpose is to configure the physical serial port protocol (like the duration of the turnaround time)
10	Read	-	READ RESEND	Enables recovery of the read data from a corrupted debugger transfer, without repeating the original AP transfer.
10	Write	-	SELECT	The purpose is to select the current access port and the active 4-words register window
11	Read/Write	-	READ BUFFER	This read buffer is useful because AP accesses are posted (the result of a read AP request is available on the next AP transaction). This read buffer captures data from the AP, presented as the result of a previous read, without initiating a new transaction

32.8.6 SW-AP registers

Access to these registers are initiated when APnDP=1

There are many AP registers (see AHB-AP) addressed as the combination of:

- The shifted value A[3:2]
- The current value of the DP SELECT register

32.9 AHB-AP (AHB access port) - valid for both JTAG-DP and SW-DP

Features:

- System access is independent of the processor status.
- Either SW-DP or JTAG-DP accesses AHB-AP.
- The AHB-AP is an AHB master into the Bus Matrix. Consequently, it can access all the data buses (Dcode Bus, System Bus, internal and external PPB bus) but the ICode bus.
- Bitband transactions are supported.
- AHB-AP transactions bypass the FPB.

The address of the 32-bits AHB-AP registers are 6-bits wide (up to 64 words or 256 bytes) and consists of:

- c) Bits [7:4] = the bits [7:4] APBANKSEL of the DP SELECT register
- d) Bits [3:2] = the 2 address bits of A[3:2] of the 35-bit packet request for SW-DP.

The AHB-AP of the Cortex[®]-M3 includes 9 x 32-bits registers:

Table 215. Cortex[®]-M3 AHB-AP registers

Address offset	Register name	Notes
0x00	AHB-AP Control and Status Word	Configures and controls transfers through the AHB interface (size, hprot, status on current transfer, address increment type)
0x04	AHB-AP Transfer Address	-
0x0C	AHB-AP Data Read/Write	-
0x10	AHB-AP Banked Data 0	Directly maps the 4 aligned data words without rewriting the Transfer Address register.
0x14	AHB-AP Banked Data 1	
0x18	AHB-AP Banked Data 2	
0x1C	AHB-AP Banked Data 3	
0xF8	AHB-AP Debug ROM Address	Base Address of the debug interface
0xFC	AHB-AP ID register	-

Refer to the Cortex[®]-M3 r2p0 TRM for further details.

32.10 Core debug

Core debug is accessed through the core debug registers. Debug access to these registers is by means of the *Advanced High-performance Bus* (AHB-AP) port. The processor can access these registers directly over the internal *Private Peripheral Bus* (PPB).

It consists of 4 registers:

Table 216. Core debug registers

Register	Description
DHCSR	The 32-bit Debug Halting Control and Status register This provides status information about the state of the processor enable core debug halt and step the processor
DCRSR	The 17-bit Debug Core register Selector register: This selects the processor register to transfer data to or from.
DCRDR	The 32-bit Debug Core register Data register: This holds data for reading and writing registers to and from the processor selected by the DCRSR (Selector) register.
DEMCR	The 32-bit Debug Exception and Monitor Control register: This provides Vector Catching and Debug Monitor Control. This register contains a bit named TRCENA which enable the use of a TRACE.

Note: **Important:** these registers are not reset by a system reset. They are only reset by a power-on reset.

Refer to the Cortex[®]-M3 r2p0 TRM for further details.

To Halt on reset, it is necessary to:

- enable the bit0 (VC_CORRESET) of the Debug and Exception Monitor Control register
- enable the bit0 (C_DEBUGEN) of the Debug Halting Control and Status register.

32.11 Capability of the debugger host to connect under system reset

The reset system of the STM32F20x and STM32F21x MCU comprises the following reset sources:

- POR (power-on reset) which asserts a RESET at each power-up.
- Internal watchdog reset
- Software reset
- External reset

The Cortex[®]-M3 differentiates the reset of the debug part (generally PORRESETn) and the other one (SYSRESETn)

This way, it is possible for the debugger to connect under System Reset, programming the Core Debug registers to halt the core when fetching the reset vector. Then the host can release the system reset and the core immediately halts without having executed any instructions. In addition, it is possible to program any debug features under System Reset.

Note: It is highly recommended for the debugger host to connect (set a breakpoint in the reset vector) under system reset.

32.12 FPB (Flash patch breakpoint)

The FPB unit:

- implements hardware breakpoints
- patches code and data from code space to system space. This feature gives the possibility to correct software bugs located in the Code Memory Space.

The use of a Software Patch or a Hardware Breakpoint is exclusive.

The FPB consists of:

- 2 literal comparators for matching against literal loads from Code Space and remapping to a corresponding area in the System Space.
- 6 instruction comparators for matching against instruction fetches from Code Space. They can be used either to remap to a corresponding area in the System Space or to generate a Breakpoint Instruction to the core.

32.13 DWT (data watchpoint trigger)

The DWT unit consists of four comparators. They are configurable as:

- a hardware watchpoint or
- a trigger to an ETM or
- a PC sampler or
- a data address sampler

The DWT also provides some means to give some profiling informations. For this, some counters are accessible to give the number of:

- Clock cycle
- Folded instructions
- Load store unit (LSU) operations
- Sleep cycles
- CPI (clock per instructions)
- Interrupt overhead

32.14 ITM (instrumentation trace macrocell)

32.14.1 General description

The ITM is an application-driven trace source that supports *printf* style debugging to trace *Operating System* (OS) and application events, and emits diagnostic system information. The ITM emits trace information as packets which can be generated as:

- **Software trace.** Software can write directly to the ITM stimulus registers to emit packets.
- **Hardware trace.** The DWT generates these packets, and the ITM emits them.
- **Time stamping.** Timestamps are emitted relative to packets. The ITM contains a 21-bit counter to generate the timestamp. The Cortex[®]-M3 clock or the bit clock rate of the *Serial Wire Viewer* (SWV) output clocks the counter.

The packets emitted by the ITM are output to the TPIU (Trace Port Interface Unit). The formatter of the TPIU adds some extra packets (refer to TPIU) and then output the complete packets sequence to the debugger host.

The bit TRCEN of the Debug Exception and Monitor Control register must be enabled before programming or using the ITM.

32.14.2 Time stamp packets, synchronization and overflow packets

Time stamp packets encode time stamp information, generic control and synchronization. It uses a 21-bit timestamp counter (with possible prescalers) which is reset at each time stamp packet emission. This counter can be either clocked by the CPU clock or the SWV clock.

A synchronization packet consists of 6 bytes equal to 0x80_00_00_00_00_00 which is emitted to the TPIU as 00 00 00 00 00 80 (LSB emitted first).

A synchronization packet is a timestamp packet control. It is emitted at each DWT trigger.

For this, the DWT must be configured to trigger the ITM: the bit CYCCNTENA (bit0) of the DWT Control register must be set. In addition, the bit2 (SYNCENA) of the ITM Trace Control register must be set.

Note: If the SYNENA bit is not set, the DWT generates Synchronization triggers to the TPIU which sends only TPIU synchronization packets and not ITM synchronization packets.

An overflow packet consists is a special timestamp packets which indicates that data has been written but the FIFO was full.

Table 217. Main ITM registers

Address	Register	Details
@E0000FB0	ITM lock access	Write 0xC5ACCE55 to unlock Write Access to the other ITM registers
@E0000E80	ITM trace control	Bits 31-24 = Always 0
		Bits 23 = Busy
		Bits 22-16 = 7-bits ATB ID which identifies the source of the trace data.
		Bits 15-10 = Always 0
		Bits 9:8 = TSPrescale = Time Stamp Prescaler
		Bits 7-5 = Reserved
		Bit 4 = SWOENA = Enable SWV behavior (to clock the timestamp counter by the SWV clock).
		Bit 3 = DWTENA: Enable the DWT Stimulus
		Bit 2 = SYNCENA: this bit must be to 1 to enable the DWT to generate synchronization triggers so that the TPIU can then emit the synchronization packets.
		Bit 1 = TSENA (Timestamp Enable)
Bit 0 = ITMENA: Global Enable Bit of the ITM		
@E0000E40	ITM trace privilege	Bit 3: mask to enable tracing ports31:24
		Bit 2: mask to enable tracing ports23:16
		Bit 1: mask to enable tracing ports15:8
		Bit 0: mask to enable tracing ports7:0
@E0000E00	ITM trace enable	Each bit enables the corresponding Stimulus port to generate trace.
@E0000000- E000007C	Stimulus port registers 0-31	Write the 32-bits data on the selected Stimulus Port (32 available) to be traced out.

Example of configuration

To output a simple value to the TPIU:

- Configure the TPIU and assign TRACE I/Os by configuring the DBGMCU_CR (refer to [Section 32.17.2](#) and [Section 32.16.3](#))
- Write 0xC5ACCE55 to the ITM Lock Access register to unlock the write access to the ITM registers
- Write 0x00010005 to the ITM Trace Control register to enable the ITM with Sync enabled and an ATB ID different from 0x00
- Write 0x1 to the ITM Trace Enable register to enable the Stimulus Port 0
- Write 0x1 to the ITM Trace Privilege register to unmask stimulus ports 7:0
- Write the value to output in the Stimulus Port register 0: this can be done by software (using a printf function)

32.15 ETM (Embedded Trace Macrocell™)

32.15.1 ETM general description

The ETM enables the reconstruction of program execution. Data are traced using the Data Watchpoint and Trace (DWT) component or the Instruction Trace Macrocell (ITM) whereas instructions are traced using the Embedded Trace Macrocell (ETM).

The ETM transmits information as packets and is triggered by embedded resources. These resources must be programmed independently and the trigger source is selected using the Trigger Event register (0xE0041008). An event could be a simple event (address match from an address comparator) or a logic equation between 2 events. The trigger source is one of the fourth comparators of the DWT module, The following events can be monitored:

- Clock cycle matching
- Data address matching

For more informations on the trigger resources refer to [Section 32.13](#).

The packets transmitted by the ETM are output to the TPIU (Trace Port Interface Unit). The formatter of the TPIU adds some extra packets (refer to [Section 32.17](#)) and then outputs the complete packet sequence to the debugger host.

32.15.2 ETM signal protocol and packet types

This part is described in the chapter 7 ETMv3 Signal Protocol of the Arm® IHI 0014N document.

32.15.3 Main ETM registers

For more information on registers refer to the chapter 3 of the Arm® IHI 0014N specification.

Table 218. Main ETM registers

Address	Register	Details
0xE0041FB0	ETM Lock Access	Write 0xC5ACCE55 to unlock the write access to the other ETM registers.
0xE0041000	ETM Control	This register controls the general operation of the ETM, for instance how tracing is enabled.
0xE0041010	ETM Status	This register provides information about the current status of the trace and trigger logic.
0xE0041008	ETM Trigger Event	This register defines the event that controls trigger.
0xE004101C	ETM Trace Enable Control	This register defines which comparator is selected.
0xE0041020	ETM Trace Enable Event	This register defines the trace enabling event.
0xE0041024	ETM Trace Start/Stop	This register defines the traces used by the trigger source to start and stop the trace, respectively.

32.15.4 ETM configuration example

To output a simple value to the TPIU:

- Configure the TPIU and enable the I/O_TRACEN to assign TRACE I/Os in the STM32F20x and STM32F21x debug configuration register.
- Write 0xC5AC CE55 to the ETM Lock Access register to unlock the write access to the ITM registers
- Write 0x0000 1D1E to the ETM control register (configure the trace)
- Write 0x0000 406F to the ETM Trigger Event register (define the trigger event)
- Write 0x0000 006F to the ETM Trace Enable Event register (define an event to start/stop)
- Write 0x0000 0001 to the ETM Trace Start/stop register (enable the trace)
- Write 0x0000191E to the ETM Control register (end of configuration)

32.16 MCU debug component (DBGMCU)

The MCU debug component helps the debugger provide support for:

- Low-power modes
- Clock control for timers, watchdog, I2C and bxCAN during a breakpoint
- Control of the trace pins assignment

32.16.1 Debug support for low-power modes

To enter low-power mode, the instruction WFI or WFE must be executed.

The MCU implements several low-power modes which can either deactivate the CPU clock or reduce the power of the CPU.

The core does not allow FCLK or HCLK to be turned off during a debug session. As these are required for the debugger connection, during a debug, they must remain active. The MCU integrates special means to allow the user to debug software in low-power modes.

For this, the debugger host must first set some debug configuration registers to change the low-power mode behavior:

- In Sleep mode, DBG_SLEEP bit of DBGMCU_CR register must be previously set by the debugger. This feeds HCLK with the same clock that is provided to FCLK (system clock previously configured by the software).
- In Stop mode, the bit DBG_STOP must be previously set by the debugger. This enables the internal RC oscillator clock to feed FCLK and HCLK in STOP mode.

32.16.2 Debug support for timers, watchdog, bxCAN and I²C

During a breakpoint, it is necessary to choose how the counter of timers and watchdog must behave:

- They can continue to count inside a breakpoint. This is usually required when a PWM is controlling a motor, for example.
- They can stop to count inside a breakpoint. This is required for watchdog purposes.

For the bxCAN, the user can choose to block the update of the receive register during a breakpoint.

For the I²C, the user can choose to block the SMBUS timeout during a breakpoint.

For timers having complementary outputs, when the counter is stopped (DBG_TIMx_STOP = 1), the outputs are disabled (as if the MOE bit was reset) for safety purposes.

32.16.3 Debug MCU configuration register

This register allows the configuration of the MCU under DEBUG. This concerns:

- Low-power mode support
- Timer and watchdog counter support
- bxCAN communication support
- Trace pin assignment

This DBGMCU_CR is mapped on the External PPB bus at address 0xE0042004

It is asynchronously reset by the PORESET (and not the system reset). It can be written by the debugger under system reset.

If the debugger host does not support these features, it is still possible for the user software to write to these registers.

DBGMCU_CR register

Address: 0xE004 2004

Only 32-bit access supported

POR Reset: 0x0000 0000 (not reset by system reset)

31	30	29	28	27	26	25	24	23	22	21	20	19	18	17	16		
Reserved																	
15	14	13	12	11	10	9	8	7	6	5	4	3	2	1	0		
Reserved								TRACE_MODE [1:0]		TRACE_IOEN		Reserved			DBG_STANDBY	DBG_STOP	DBG_SLEEP
								rw	rw	rw					rw	rw	rw

Bits 31:8 Reserved, must be kept at reset value.

Bits 7:5 **TRACE_MODE[1:0] and TRACE_IOEN**: Trace pin assignment control

- With TRACE_IOEN=0:
 - TRACE_MODE=xx: TRACE pins not assigned (default state)
- With TRACE_IOEN=1:
 - TRACE_MODE=00: TRACE pin assignment for Asynchronous mode
 - TRACE_MODE=01: TRACE pin assignment for Synchronous mode with a TRACEDATA size of 1
 - TRACE_MODE=10: TRACE pin assignment for Synchronous mode with a TRACEDATA size of 2
 - TRACE_MODE=11: TRACE pin assignment for Synchronous mode with a TRACEDATA size of 4

Bits 4:3 Reserved, must be kept at reset value.

Bit 2 **DBG_STANDBY**: Debug Standby mode

- 0: (FCLK=Off, HCLK=Off) The whole digital part is unpowered. From software point of view, exiting from Standby is identical than fetching reset vector (except a few status bit indicated that the MCU is resuming from Standby)
- 1: (FCLK=On, HCLK=On) In this case, the digital part is not unpowered and FCLK and HCLK are provided by the internal RC oscillator which remains active. In addition, the MCU generate a system reset during Standby mode so that exiting from Standby is identical than fetching from reset

Bit 1 **DBG_STOP**: Debug Stop mode

- 0: (FCLK=Off, HCLK=Off) In STOP mode, the clock controller disables all clocks (including HCLK and FCLK). When exiting from STOP mode, the clock configuration is identical to the one after RESET (CPU clocked by the 8 MHz internal RC oscillator (HSI)). Consequently, the software must reprogram the clock controller to enable the PLL, the Xtal, etc.
- 1: (FCLK=On, HCLK=On) In this case, when entering STOP mode, FCLK and HCLK are provided by the internal RC oscillator which remains active in STOP mode. When exiting STOP mode, the software must reprogram the clock controller to enable the PLL, the Xtal, etc. (in the same way it would do in case of DBG_STOP=0)

Bit 0 **DBG_SLEEP**: Debug Sleep mode

- 0: (FCLK=On, HCLK=Off) In Sleep mode, FCLK is clocked by the system clock as previously configured by the software while HCLK is disabled. In Sleep mode, the clock controller configuration is not reset and remains in the previously programmed state. Consequently, when exiting from Sleep mode, the software does not need to reconfigure the clock controller.
- 1: (FCLK=On, HCLK=On) In this case, when entering Sleep mode, HCLK is fed by the same clock that is provided to FCLK (system clock as previously configured by the software).

32.16.4 Debug MCU APB1 freeze register (DBGMCU_APB1_FZ)

The DBGMCU_APB1_FZ register is used to configure the MCU under Debug. It concerns APB1 peripherals. It is mapped on the external PPB bus at address 0xE004 2008.

The register is asynchronously reset by the POR (and not the system reset). It can be written by the debugger under system reset.

Address : 0xE004 2008

Only 32-bits access are supported.

Power-on reset (POR): 0x0000 0000 (not reset by system reset)

Reserved							DBG_CAN2_STOP	DBG_CAN1_STOP	Reserved			Reserved						
							r/w	r/w										
Reserved																		
			DBG_IWDG_STOP	DBG_WWDG_STOP	DBG_RTC_STOP	Reserved		DBG_TIM14_STOP	DBG_TIM13_STOP	DBG_TIM12_STOP	DBG_TIM7_STOP	DBG_TIM6_STOP	DBG_TIM5_STOP	DBG_TIM4_STOP	DBG_TIM3_STOP	DBG_TIM2_STOP		
				r/w	r/w			r/w	r/w	r/w	r/w	r/w	r/w	r/w	r/w	r/w		

Bits 31:27 Reserved, must be kept at reset value.

Bit 26 **DBG_CAN2_STOP**: Debug CAN2 stopped when Core is halted

- 0: Same behavior as in normal mode
- 1: The CAN2 receive registers are frozen

Bit 25 **DBG_CAN1_STOP**: Debug CAN2 stopped when Core is halted

- 0: Same behavior as in normal mode
- 1: The CAN2 receive registers are frozen

Bit 24 Reserved, must be kept at reset value.

Bit 23 **DBG_I2C3_SMBUS_TIMEOUT**: SMBUS timeout mode stopped when Core is halted

- 0: Same behavior as in normal mode
- 1: The SMBUS timeout is frozen

Bit 22 **DBG_I2C2_SMBUS_TIMEOUT**: SMBUS timeout mode stopped when Core is halted

- 0: Same behavior as in normal mode
- 1: The SMBUS timeout is frozen

Bit 21 **DBG_I2C1_SMBUS_TIMEOUT**: SMBUS timeout mode stopped when Core is halted

- 0: Same behavior as in normal mode
- 1: The SMBUS timeout is frozen



- Bit 20:13 Reserved, must be kept at reset value.
- Bit 12 **DBG_IWDG_STOP**: Debug independent watchdog stopped when core is halted
 - 0: The independent watchdog counter clock continues even if the core is halted
 - 1: The independent watchdog counter clock is stopped when the core is halted
- Bit 11 **DBG_WWDG_STOP**: Debug Window Watchdog stopped when Core is halted
 - 0: The window watchdog counter clock continues even if the core is halted
 - 1: The window watchdog counter clock is stopped when the core is halted
- Bit 10 **DBG_RTC_STOP**: RTC stopped when Core is halted
 - 0: The RTC counter clock continues even if the core is halted
 - 1: The RTC counter clock is stopped when the core is halted
- Bit 9 Reserved, must be kept at reset value.
- Bits 8:0 **DBG_TIMx_STOP**: TIMx counter stopped when core is halted (x=2..7, 12..14)
 - 0: The clock of the involved timer counter is fed even if the core is halted
 - 1: The clock of the involved timer counter is stopped and the outputs are disabled when the core is halted

32.16.5 Debug MCU APB2 Freeze register (DBGMCU_APB2_FZ)

The DBGMCU_APB2_FZ register is used to configure the MCU under Debug. It concerns APB2 peripherals.

This register is mapped on the external PPB bus at address 0xE004 200C

It is asynchronously reset by the POR (and not the system reset). It can be written by the debugger under system reset.

Address: 0xE004 200C

Only 32-bit access is supported.

POR: 0x0000 0000 (not reset by system reset)

31	30	29	28	27	26	25	24	23	22	21	20	19	18	17	16
Reserved													DBG_TIM11_STOP	DBG_TIM10_STOP	DBG_TIM9_STOP
													r/w	r/w	r/w
15	14	13	12	11	10	9	8	7	6	5	4	3	2	1	0
Reserved													DBG_TIM8_STOP	DBG_TIM1_STOP	
													r/w	r/w	

- Bits 31:19 Reserved, must be kept at reset value.
- Bits 18:16 **DBG_TIMx_STOP**: TIMx counter stopped when core is halted (x=9..11)
 - 0: The clock of the involved timer counter is fed even if the core is halted
 - 1: The clock of the involved timer counter is stopped and the outputs are disabled when the core is halted
- Bits 15: Reserved, must be kept at reset value.

- Bit 1 **DBG_TIM8_STOP**: TIM8 counter stopped when core is halted
 - 0: The clock of the involved timer counter is fed even if the core is halted
 - 1: The clock of the involved timer counter is stopped and the outputs are disabled when the core is halted
- Bit 0 **DBG_TIM1_STOP**: TIM1 counter stopped when core is halted
 - 0: The clock of the involved timer counter is fed even if the core is halted
 - 1: The clock of the involved timer counter is stopped and the outputs are disabled when the core is halted

32.17 TPIU (trace port interface unit)

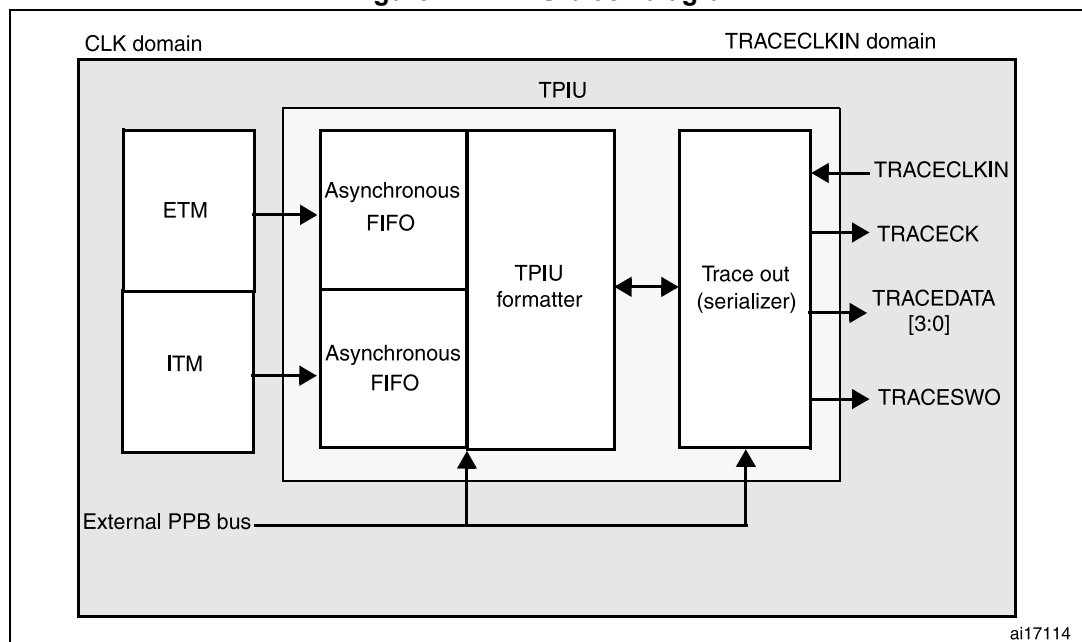
32.17.1 Introduction

The TPIU acts as a bridge between the on-chip trace data from the ITM and the ETM.

The output data stream encapsulates the trace source ID, that is then captured by a *trace port analyzer (TPA)*.

The core embeds a simple TPIU, especially designed for low-cost debug (consisting of a special version of the CoreSight TPIU).

Figure 422. TPIU block diagram



32.17.2 TRACE pin assignment

- Asynchronous mode
The asynchronous mode requires 1 extra pin and is available on all packages. It is only available if using Serial Wire mode (not in JTAG mode).

Table 219. Asynchronous TRACE pin assignment

TPUI pin name	Trace synchronous mode		STM32F20x and STM32F21x pin assignment
	Type	Description	
TRACESWO	O	TRACE Async Data Output	PB3

- Synchronous mode
The synchronous mode requires from 2 to 6 extra pins depending on the data trace size and is only available in the larger packages. In addition it is available in JTAG mode and in Serial Wire mode and provides better bandwidth output capabilities than asynchronous trace.

Table 220. Synchronous TRACE pin assignment

TPUI pin name	Trace synchronous mode		STM32F20x and STM32F21x pin assignment
	Type	Description	
TRACECK	O	TRACE Clock	PE2
TRACED[3:0]	O	TRACE Sync Data Outputs Can be 1, 2 or 4.	PE[6:3]

TPUI TRACE pin assignment

By default, these pins are NOT assigned. They can be assigned by setting the TRACE_IOEN and TRACE_MODE bits in the **MCU Debug component configuration register**. This configuration has to be done by the debugger host.

In addition, the number of pins to assign depends on the trace configuration (asynchronous or synchronous).

- Asynchronous mode:** 1 extra pin is needed
- Synchronous mode:** from 2 to 5 extra pins are needed depending on the size of the data trace port register (1, 2 or 4):
 - TRACECK
 - TRACED(0) if port size is configured to 1, 2 or 4
 - TRACED(1) if port size is configured to 2 or 4
 - TRACED(2) if port size is configured to 4
 - TRACED(3) if port size is configured to 4

To assign the TRACE pin, the debugger host must program the bits TRACE_IOEN and TRACE_MODE[1:0] of the Debug MCU configuration register (DBGMCU_CR). By default the TRACE pins are not assigned.

This register is mapped on the external PPB and is reset by the PORESET (and not by the SYSTEM reset). It can be written by the debugger under SYSTEM reset.

Table 221. Flexible TRACE pin assignment

DBGMCU_CR register		Pins assigned for:	TRACE IO pin assigned					
TRACE_IOEN	TRACE_MODE [1:0]		PB3 /JTDO/ TRACESWO	PE2/ TRACECK	PE3 / TRACED[0]	PE4 / TRACED[1]	PE5 / TRACED[2]	PE6 / TRACED[3]
0	XX	No Trace (default state)	Released ⁽¹⁾	-				
1	00	Asynchronous Trace	TRACESWO	-	-	Released (usable as GPIO)		
1	01	Synchronous Trace 1 bit	Released ⁽¹⁾	TRACECK	TRACED[0]	-	-	-
1	10	Synchronous Trace 2 bit		TRACECK	TRACED[0]	TRACED[1]	-	-
1	11	Synchronous Trace 4 bit		TRACECK	TRACED[0]	TRACED[1]	TRACED[2]	TRACED[3]

1. When Serial Wire mode is used, it is released. But when JTAG is used, it is assigned to JTDO.

Note: By default, the TRACECLKIN input clock of the TPIU is tied to GND. It is assigned to HCLK two clock cycles after the bit TRACE_IOEN has been set.

The debugger must then program the Trace Mode by writing the PROTOCOL[1:0] bits in the SPP_R (Selected Pin Protocol) register of the TPIU.

- PROTOCOL=00: Trace Port Mode (synchronous)
- PROTOCOL=01 or 10: Serial Wire (Manchester or NRZ) Mode (asynchronous mode). Default state is 01

It then also configures the TRACE port size by writing the bits [3:0] in the CPSPS_R (Current Sync Port Size register) of the TPIU:

- 0x1 for 1 pin (default state)
- 0x2 for 2 pins
- 0x8 for 4 pins

32.17.3 TPUI formatter

The formatter protocol outputs data in 16-byte frames:

- seven bytes of data
- eight bytes of mixed-use bytes consisting of:
 - 1 bit (LSB) to indicate it is a DATA byte ('0) or an ID byte ('1).
 - 7 bits (MSB) which can be data or change of source ID trace.
- one byte of auxiliary bits where each bit corresponds to one of the eight mixed-use bytes:
 - if the corresponding byte was a data, this bit gives bit0 of the data.
 - if the corresponding byte was an ID change, this bit indicates when that ID change takes effect.

Note: Refer to the Arm® CoreSight Architecture Specification v1.0 (Arm® IHI 0029B) for further information

32.17.4 TPUI frame synchronization packets

The TPUI can generate two types of synchronization packets:

- The Frame Synchronization packet (or Full Word Synchronization packet)
It consists of the word: 0x7F_FF_FF_FF (LSB emitted first). This sequence can not occur at any other time provided that the ID source code 0x7F has not been used.
It is output periodically **between** frames.
In continuous mode, the TPA must discard all these frames once a synchronization frame has been found.
- The Half-Word Synchronization packet
It consists of the half word: 0x7F_FF (LSB emitted first).
It is output periodically **between or within** frames.
These packets are only generated in continuous mode and enable the TPA to detect that the TRACE port is in IDLE mode (no TRACE to be captured). When detected by the TPA, it must be discarded.

32.17.5 Transmission of the synchronization frame packet

There is no Synchronization Counter register implemented in the TPIU of the core. Consequently, the synchronization trigger can only be generated by the **DWT**. Refer to the registers DWT Control register (bits SYNCTAP[11:10]) and the DWT Current PC Sampler Cycle Count register.

The TPUI Frame synchronization packet (0x7F_FF_FF_FF) is emitted:

- after each TPIU reset release. This reset is synchronously released with the rising edge of the TRACECLKIN clock. This means that this packet is transmitted when the TRACE_IOEN bit in the DBGMCU_CFG register is set. In this case, the word 0x7F_FF_FF_FF is not followed by any formatted packet.
- at each DWT trigger (assuming DWT has been previously configured). Two cases occur:
 - If the bit SYNENA of the ITM is reset, only the word 0x7F_FF_FF_FF is emitted without any formatted stream which follows.
 - If the bit SYNENA of the ITM is set, then the ITM synchronization packets follow (0x80_00_00_00_00_00), formatted by the TPUI (trace source ID added).

32.17.6 Synchronous mode

The trace data output size can be configured to 4, 2 or 1 pin: TRACED(3:0)

The output clock is output to the debugger (TRACECK)

Here, TRACECLKIN is driven internally and is connected to HCLK only when TRACE is used.

Note: In this synchronous mode, it is not required to provide a stable clock frequency.

The TRACE I/Os (including TRACECK) are driven by the rising edge of TRACLKIN (equal to HCLK). Consequently, the output frequency of TRACECK is equal to HCLK/2.

32.17.7 Asynchronous mode

This is a low cost alternative to output the trace using only 1 pin: this is the asynchronous output pin TRACESWO. Obviously there is a limited bandwidth.

TRACESWO is multiplexed with JTDO when using the SW-DP pin. This way, this functionality is available in all STM32F20x and STM32F21x packages.

This asynchronous mode requires a constant frequency for TRACECLKIN. For the standard UART (NRZ) capture mechanism, 5% accuracy is needed. The Manchester encoded version is tolerant up to 10%.

32.17.8 TRACECLKIN connection inside the STM32F20x and STM32F21x

In the STM32F20x and STM32F21x, this TRACECLKIN input is internally connected to HCLK. This means that when in asynchronous trace mode, the application is restricted to use to time frames where the CPU frequency is stable.

*Note: **Important:** when using asynchronous trace: it is important to be aware that:*

The default clock of the STM32F20x and STM32F21x MCUs is the internal RC oscillator. Its frequency under reset is different from the one after reset release. This is because the RC calibration is the default one under system reset and is updated at each system reset release.

Consequently, the trace port analyzer (TPA) must not enable the trace (with the TRACE_IOEN bit) under system reset, because a Synchronization Frame Packet is issued with a different bit time than trace packets which are transmitted after reset release.

32.17.9 TPIU registers

The TPIU APB registers can be read and written only if the bit TRCENA of the Debug Exception and Monitor Control register (DEMCR) is set. Otherwise, the registers are read as zero (the output of this bit enables the PCLK of the TPIU).

Table 222. Important TPIU registers

Address	Register	Description
0xE0040004	Current port size	Allows the trace port size to be selected: Bit 0: Port size = 1 Bit 1: Port size = 2 Bit 2: Port size = 3, not supported Bit 3: Port Size = 4 Only 1 bit must be set. By default, the port size is one bit. (0x00000001)
0xE00400F0	Selected pin protocol	Allows the Trace Port Protocol to be selected: Bit1:0= 00: Sync Trace Port Mode 01: Serial Wire Output - manchester (default value) 10: Serial Wire Output - NRZ 11: reserved

Table 222. Important TPIU registers (continued)

Address	Register	Description
0xE0040304	Formatter and flush control	<p>Bits 31-9 = always '0 Bit 8 = TriglIn = always '1 to indicate that triggers are indicated Bits 7-4 = always 0 Bits 3-2 = always 0 Bit 1 = EnFCont. In Sync Trace mode (Select_Pin_Protocol register bit1:0=00), this bit is forced to '1: the formatter is automatically enabled in continuous mode. In asynchronous mode (Select_Pin_Protocol register bit1:0 <> 00), this bit can be written to activate or not the formatter. Bit 0 = always 0</p> <p>The resulting default value is 0x102</p> <p>Note: In synchronous mode, because the TRACECTL pin is not mapped outside the chip, the formatter is always enabled in continuous mode -this way the formatter inserts some control packets to identify the source of the trace packets).</p>
0xE0040300	Formatter and flush status	Not used in Cortex®-M3, always read as 0x00000008

32.17.10 Example of configuration

- Set the bit TRCENA in the Debug Exception and Monitor Control register (DEMCR)
- Write the TPIU Current Port Size register to the desired value (default is 0x1 for a 1-bit port size)
- Write TPIU Formatter and Flush Control register to 0x102 (default value)
- Write the TPIU Select Pin Protocol to select the sync or async mode. Example: 0x2 for async NRZ mode (UART like)
- Write the DBGMCU control register to 0x20 (bit IO_TRACEN) to assign TRACE I/Os for async mode. A TPIU Sync packet is emitted at this time (FF_FF_FF_7F)
- Configure the ITM and write the ITM Stimulus register to output a value

32.18 DBG register map

The following table summarizes the Debug registers.

Table 223. DBG register map and reset values

Addr.	Register	31	30	29	28	27	26	25	24	23	22	21	20	19	18	17	16	15	14	13	12	11	10	9	8	7	6	5	4	3	2	1	0											
0xE004 2000	DBGMCU_IDCODE	REV_ID													Reserved				DEV_ID																									
	Reset value ⁽¹⁾	X	X	X	X	X	X	X	X	X	X	X	X	X	X	X	X	X					X	X	X	X	X	X	X	X	X	X	X											
0xE004 2004	DBGMCU_CR	Reserved													DBG_TIM7_STOP	DBG_TIM6_STOP	DBG_TIM5_STOP	DBG_TIM8_STOP	DBG_I2C2_SMBUS_TIMEOUT	Reserved										TRACE_MODE[1:0]	TRACE_IOEN	Reserved			DBG_STANDBY	DBG_STOP	DBG_SLEEP							
	Reset value														0	0	0	0	0																									
0xE004 2008	DBGMCU_APB1_FZ	Reserved					DBG_CAN2_STOP	DBG_CAN1_STOP	Reserved	DBG_I2C3_SMBUS_TIMEOUT			DBG_I2C2_SMBUS_TIMEOUT			DBG_I2C1_SMBUS_TIMEOUT			Reserved										DBG_IWDG_STOP	DBG_WWDG_STOP	Reserved	DBG_RTC_STOP	DBG_TIM14_STOP	DBG_TIM13_STOP	DBG_TIM12_STOP	DBG_TIM7_STOP	DBG_TIM6_STOP	DBG_TIM5_STOP	DBG_TIM4_STOP	DBG_TIM3_STOP	DBG_TIM2_STOP			
	Reset value						0	0	0	0			0			0													0	0		0	0	0	0	0	0	0	0	0	0	0	0	0
0xE004 200C	DBGMCU_APB2_FZ	Reserved													DBG_TIM11_STOP	DBG_TIM10_STOP	DBG_TIM9_STOP	Reserved										DBG_TIM8_STOP	DBG_TIM1_STOP															
	Reset value														0	0	0											0	0															

1. The reset value is product dependent. For more information, refer to [Section 32.6.1: MCU device ID code](#).

33 Device electronic signature

The electronic signature is stored in the Flash memory area, and can be read using the JTAG/SWD or the CPU. It contains factory-programmed identification data that allow the user firmware or other external devices to automatically match its interface to the characteristics of the STM32F20x and STM32F21x microcontroller.

33.1 Unique device ID register (96 bits)

The unique device identifier is ideally suited:

- for use as serial numbers (for example USB string serial numbers or other end applications)
- for use as security keys in order to increase the security of code in Flash memory while using and combining this unique ID with software cryptographic primitives and protocols before programming the internal Flash memory
- to activate secure boot processes, etc.

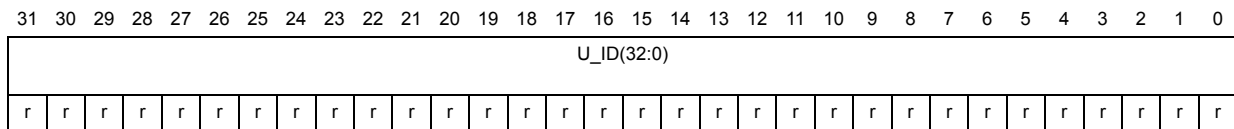
The 96-bit unique device identifier provides a reference number which is unique for any device and in any context. These bits can never be altered by the user.

The 96-bit unique device identifier can also be read in single bytes/half-words/words in different ways and then be concatenated using a custom algorithm.

Base address: 0x1FFF 7A10

Address offset: 0x00

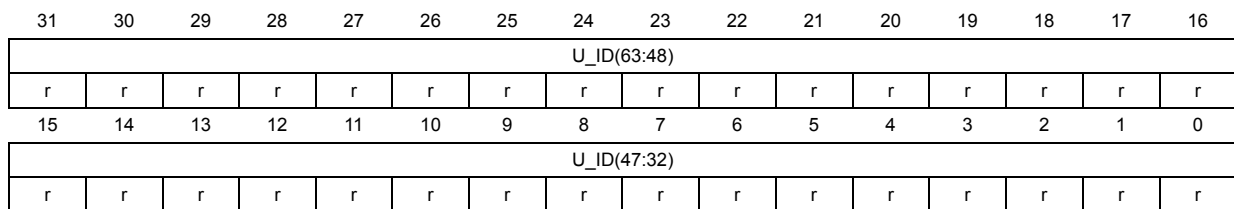
Read only = 0xXXXX XXXX where X is factory-programmed



Bits 31:0 **U_ID(31:0)**: 31:0 unique ID bits

Address offset: 0x04

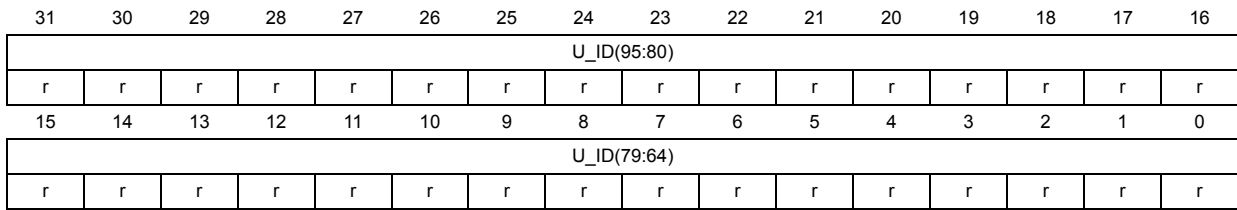
Read only = 0xXXXX XXXX where X is factory-programmed



Bits 31:0 **U_ID(63:32)**: 63:32 unique ID bits

Address offset: 0x08

Read only = 0xXXXX XXXX where X is factory-programmed



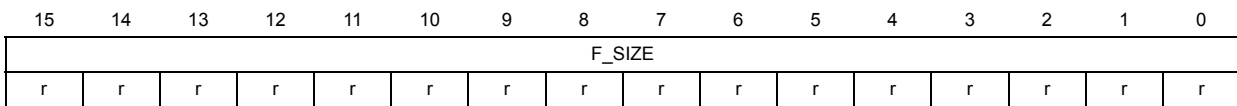
Bits 31:0 **U_ID(95:64)**: 95:64 Unique ID bits.

33.2 Flash size

Base address: 0x1FFF 7A22

Address offset: 0x00

Read only = 0xXXXX where X is factory-programmed



Bits 15:0 **F_ID(15:0)**: Flash memory size

This bitfield indicates the size of the device Flash memory expressed in Kbytes.
As an example, 0x0400 corresponds to 1024 Kbytes.

34 Important security notice

The STMicroelectronics group of companies (ST) places a high value on product security, which is why the ST product(s) identified in this documentation may be certified by various security certification bodies and/or may implement our own security measures as set forth herein. However, no level of security certification and/or built-in security measures can guarantee that ST products are resistant to all forms of attacks. As such, it is the responsibility of each of ST's customers to determine if the level of security provided in an ST product meets the customer needs both in relation to the ST product alone, as well as when combined with other components and/or software for the customer end product or application. In particular, take note that:

- ST products may have been certified by one or more security certification bodies, such as Platform Security Architecture (www.psacertified.org) and/or Security Evaluation standard for IoT Platforms (www.trustcb.com). For details concerning whether the ST product(s) referenced herein have received security certification along with the level and current status of such certification, either visit the relevant certification standards website or go to the relevant product page on www.st.com for the most up to date information. As the status and/or level of security certification for an ST product can change from time to time, customers should re-check security certification status/level as needed. If an ST product is not shown to be certified under a particular security standard, customers should not assume it is certified.
- Certification bodies have the right to evaluate, grant and revoke security certification in relation to ST products. These certification bodies are therefore independently responsible for granting or revoking security certification for an ST product, and ST does not take any responsibility for mistakes, evaluations, assessments, testing, or other activity carried out by the certification body with respect to any ST product.
- Industry-based cryptographic algorithms (such as AES, DES, or MD5) and other open standard technologies which may be used in conjunction with an ST product are based on standards which were not developed by ST. ST does not take responsibility for any flaws in such cryptographic algorithms or open technologies or for any methods which have been or may be developed to bypass, decrypt or crack such algorithms or technologies.
- While robust security testing may be done, no level of certification can absolutely guarantee protections against all attacks, including, for example, against advanced attacks which have not been tested for, against new or unidentified forms of attack, or against any form of attack when using an ST product outside of its specification or intended use, or in conjunction with other components or software which are used by customer to create their end product or application. ST is not responsible for resistance against such attacks. As such, regardless of the incorporated security features and/or any information or support that may be provided by ST, each customer is solely responsible for determining if the level of attacks tested for meets their needs, both in relation to the ST product alone and when incorporated into a customer end product or application.
- All security features of ST products (inclusive of any hardware, software, documentation, and the like), including but not limited to any enhanced security features added by ST, are provided on an "AS IS" BASIS. AS SUCH, TO THE EXTENT PERMITTED BY APPLICABLE LAW, ST DISCLAIMS ALL WARRANTIES, EXPRESS OR IMPLIED, INCLUDING BUT NOT LIMITED TO THE IMPLIED WARRANTIES OF MERCHANTABILITY OR FITNESS FOR A PARTICULAR PURPOSE, unless the applicable written and signed contract terms specifically provide otherwise.

35 Revision history

Table 224. Document revision history

Date	Version	Changes
06-Jul-2010	1	Initial release.
09-Dec-2010	2	<p>Removed V_{DDSA} from the whole document.</p> <p>Updated Figure 1: System architecture for FSMC Static MemCtl.</p> <p>Updated Table 3: Number of wait states according to Cortex-M3 clock frequency. Updated embedded Flash memory organization in Section 2.3.3; updated LATENCY bits in Section : Flash access control register (FLASH_ACR) to support up to 7 wait states; added Section 2.3.5: Adaptive real-time memory accelerator (ART Accelerator™).</p> <p>Renamed FSMC NOR/SRAM 1/2 Bank1 into FSMC Bank1 NOR/PSRAM 1/2. Updated last two address ranges and added Note 1 in Table 5: Memory mapping vs. Boot mode/physical remap.</p> <p>Power control (PWR)</p> <p>Updated Figure 3: Power supply overview.</p> <p>Updated V_{REF} range in Section 4.1.1: Independent A/D converter supply and reference voltage; BOR default status updated in Section 4.2.2: Brownout reset (BOR).</p> <p>Reset and clock controller</p> <p>Changed HSE oscillator frequency to 4-26 MHz and replaced SPI2S_CKIN by I2S2_CKIN/I2S3_CKIN in Figure 9: Clock tree.</p> <p>Added note related to RTC_TR register read in Section 5.2.8: RTC/AWU clock.</p> <p>Extended PLL input frequency to 2 MHz, and updated caution note related to PLLM[5:0] bit in Section 5.3.2: RCC PLL configuration register (RCC_PLLCFGR).</p> <p>System configuration controller</p> <p>Added Section 7.1: I/O compensation cell in Section 7: System configuration controller (SYSCFG).</p> <p>Added case of FSMC remapped at address 0x0000 0000, and updated description of SYSCFG_MEMRMP register and MEM_MODE bit in Section 7.2.1: SYSCFG memory remap register (SYSCFG_MEMRMP).</p> <p>Removed not related to READY bit in Section 7.2.7: Compensation cell control register (SYSCFG_CMPCR).</p> <p>ADC</p> <p>Updated V_{DDA} low-speed and V_{REF} ranges in Table 32: ADC pins</p> <p>Updated Section 10.2: ADC main features.</p> <p>Updated Section 10.3.2: ADC clock.</p> <p>Changed PCLK to PCLK2 for ADCPRE bit description in Section 10.13.16: ADC common control register (ADC_CCR).</p> <p>Updated JSQ bit description, and added note in Section 10.13.12: ADC injected sequence register (ADC_JSQR).</p>

Table 224. Document revision history (continued)

Date	Version	Changes
09-Dec-2010	2 (continued)	<p>DAC Updated V_{REF} range in Table 41: DAC pins.</p> <p>Camera interface (DCMI) Recommended 32-bit access for DCMI registers. Removed F_{PIXCLK} maximum value in Section 12.4: DCMI clocks. Section 12.5: DCMI functional overview; updated Figure 57 to remove NRST, AHB, DMA_ACK, and change IT_CCI to DCMI_IT. Removed section “Slave AHB interface”. Updated Section 12.5.1: DMA interface overview and removed figure DMA transfer. Changed clock to pixel clock in Section 12.5.2: DCMI physical interface, and Figure 58 corrected. Removed section “Parallel interface width”. Section 12.8.1: DCMI control register 1 (DCMI_CR): removed CRE bit, updated ESS bit description to distinguish between hardware and embedded synchronization, replaced RAM by destination memory in CM and CAPTURE bit description. Added note for ERR_IE and ERR_ISC. Section 12.8.3: DCMI raw interrupt status register (DCMI_RIS)/Section 12.8.5: DCMI masked interrupt status register (DCMI_MIS): added note to indicated that ERR_RIS/MIS bit is available only in embedded synchronization mode. Added note for ERR_IE and ERR_ISC in Section 12.8.4: DCMI interrupt enable register (DCMI_IER). All OVR_ bit descriptions changed to overrun status.</p> <p>General-purpose timers (TIM9 to TIM14) Updated CC1NP and CC2NP for TIM9/12 in Section 15.3.5: Input capture mode, Section 15.3.6: PWM input mode (only for TIM9/12), Section 15.3.10: One-pulse mode. Updated URS and UDIS bit description in Section 15.4.1: TIM9/12 control register 1 (TIMx_CR1). Updated description of CC1IF and UIF bits in Section 15.4.5: TIM9/12 status register (TIMx_SR). Updated description of TG and UG bits in Section 15.4.6: TIM9/12 event generation register (TIMx_EGR). Added CC1NP and CC2NP bits in Section 15.4.8: TIM9/12 capture/compare enable register (TIMx_CCER). Updated UDIS, URS, and CEN bit description in Section 15.4.1: TIM9/12 control register 1 (TIMx_CR1). Removed TIM10/11/13/14 TIMx_CR2 register. Updated CC1IF and UIF bit description in Section 15.5.3: TIM10/11/13/14 status register (TIMx_SR). Updated UG bit description in Section 15.5.4: TIM10/11/13/14 event generation register (TIMx_EGR). Updated OC1M and OC1PE bit description; and changed bit 2 register from reserved to OC1FE in Section 15.5.5: TIM10/11/13/14 capture/compare mode register 1 (TIMx_CCMR1).</p>

Table 224. Document revision history (continued)

Date	Version	Changes
09-Dec-2010	2 (continued)	<p>General-purpose timers (TIM9 to TIM14) (continued) Added OC1FE bit and updated CC1NP bit description in Section 15.5.6: TIM10/11/13/14 capture/compare enable register (TIMx_CCER). Updated TI1_RMP bit description in Section 15.5.12: TIM10/11/13/14 register map. Real-time clock (RTC) Section 22: Real-time clock (RTC) Whole Section 22: Real-time clock (RTC) reworked without major content update. Renamed TAMPER pin to TAMPER1, and AFI_TAMPER to AFI_TAMPER1. Renamed TAMPF to TAMP1F in Section 22.6.4: RTC initialization and status register (RTC_ISR). Renamed TAMPINSEL to TAMP1INSEL, TAMPE to TAMP1E, and TAMPEDGE to TAMP1TRG in Section 22.6.13: RTC tamper and alternate function configuration register (RTC_TAFCR),</p> <p>I2C Updated last two steps of the closing communication sequence in Section : Controller receiver. Removed EV6_1 in Figure 219: Transfer sequence diagram for target receiver.</p> <p>USART Modified Section : LIN reception. Updated Table 97: USART mode configuration to add DMA support for UART5.</p> <p>SPI Updated Table 100: Audio frequency precision (for PLLM VCO = 1 MHz or 2 MHz) title to add 2 MHz PLL inputs frequency. Updated Figure 280: PCM standard waveforms (16-bit).</p> <p>CAN: Update description of LEC bits in Section : CAN error status register (CAN_ESR).</p> <p>Ethernet Removed ETH_RMII_TX_CLK alternated function for PC3 in Table 138: Alternate function mapping. Changed FIFO size in Figure 313: ETH block diagram. Removed restriction related to PTP frame identification in Section : Reception of frames with the PTP feature. Removed time-stamp low/high[31:0] in Figure 343: Enhanced transmit descriptor. Removed sections "Tx/RxDMA descriptor format with IEEE1588 time stamp".</p>

Table 224. Document revision history (continued)

Date	Version	Changes
09-Dec-2010	2 (continued)	<p>USB OTG FS Reworked Section 29.6.4: Host scheduler.</p> <p>USB OTG HS Updated Section 30.1: OTG_HS introduction. Updated Figure 373: USB OTG interface block diagram to remove GPIO interface and DMA. Updated Section 30.6.4: Host scheduler. Updated DNA and PKTDRPSTS bit descriptions in Section : OTG_HS device endpoint-x interrupt register (OTG_HS_DIEPINTx) (x = 0..5, where x = Endpoint_number). Removed DMAEN bit in Section : OTG_HS AHB configuration register (OTG_HS_GAHBCFG). Removed GMC bit in Section : OTG_HS device control register (OTG_HS_DCTL). Removed OTG_HS_DIEPDMABx and OTG_HS_DOEPDMABx registers. Changed SOF to micro-SOF in Figure 376: Updating OTG_HS_HFIR dynamically.</p> <p>FSMC Updated Figure 412: Asynchronous wait during a read access to remove 2HCLK cycles between data sampling and falling edge of A[25:0], rising edge of NEx, data transition. Replaced MEMxHIZ+1 by MEMxHIZ in Figure 417: NAND/PC Card controller timing for common memory access. Updated MEMHIZx in FSMC_PMEM2..4 register description.</p> <p>DEBUG Modified Section 32.6.2: Boundary scan TAP. Added DBG_RTC_STOP bit in Section 32.16.4: Debug MCU APB1 freeze register (DBGMCU_APB1_FZ). Added STM32F2xxx JATAP ID code.</p> <p>Added Section 33: Device electronic signature.</p>

Table 224. Document revision history (continued)

Date	Version	Changes
15-Apr-2011	3	<p>Updated OTP area in Section 2.3.3: Embedded Flash memory. Modified Section : Embedded bootloader. Changed f_{MASTER} to CK_INT in the whole document. Modified DAC bus in Table 1: STM32F20x and STM32F21x register boundary addresses. PWR: Added note related to voltage regulator activation depending to package in Section 4.1.3: Voltage regulator.</p> <p>RCC: Added note related to I2S PLL used as I2S input clock in Section 5.2.3: PLL configuration. Modified VCO output frequency for PLLN bit description in Section 5.3.2: RCC PLL configuration register (RCC_PLLCFGR).</p> <p>GPIOs: Removed RTF_AF1 and RTC_AF2 from system functions in Section 6.3.2: I/O pin multiplexer and mapping. Modified Section 6.3.13: Using the OSC32_IN/OSC32_OUT pins as GPIO PC14/PC15 port pins and Section 6.3.14: Using the OSC_IN/OSC_OUT pins as GPIO PH0/PH1 port pins</p> <p>TIMERS: TIM1&TIM8: Updated example and definition of DBL bits in Section 13.4.19: TIM1 and TIM8 DMA control register (TIMx_DCR). Added example related to DMA burst feature and description of DMAB bits in Section 13.4.20: TIM1 and TIM8 DMA address for full transfer (TIMx_DMAR).</p> <p>TIM2 to TIM5: added example and updated definition of DBL bits in Section 14.4.17: TIMx DMA control register (TIMx_DCR). Added example related to DMA burst feature and description of DMAB bits in Section 14.4.18: TIMx DMA address for full transfer (TIMx_DMAR).</p> <p>IWDG: Modified LSI clock frequency in Table 69: Min/max IWDG timeout period (in ms) at 32 kHz (LSI) title and updated timeout values.</p> <p>WWDG: Updated Section 18.2: WWDG main features. Updated Section 18.3: WWDG functional description to remove paragraph related to counter reload using EWI interrupt. Added Section : Advanced watchdog interrupt feature in Section 18.4: How to program the watchdog timeout.</p>

Table 224. Document revision history (continued)

Date	Version	Changes
15-Apr-2011	3 (continued)	<p>CRYPTO: Updated Section 19.1: CRYPT introduction. Modified Figure 195: Block diagram. Updated Section 19.3.1: DES/TDES cryptographic core, Section 19.3.2: AES cryptographic core, and Table 74: Data types.</p> <p>HASH: In Section 21.4.5: HASH interrupt enable register (HASH_IMR), renamed HASH_IMR into interrupt enable register, and bits DCIM and DINIM into DCIE and DINIE, respectively. Updated INIT bit description in Section 21.4.1: HASH control register (HASH_CR).</p> <p>RTC: Added RTC_50Hz clock input for synchronous prescaler in Figure 215: RTC block diagram. Renamed digital calibration into coarse calibration. Updated ALARMOUTTYPE definition. Digital calibration renamed coarse calibration.</p> <p>RNG: Renamed IM bit of RNG_CR register into IE.</p> <p>I2C: Updated BERR bit description in Section 23.6.6: I²C Status register 1 (I2C_SR1). Updated Note in Section 23.6.8: I²C Clock control register (I2C_CCR). Updated requests in master receiver mode in Section 23.3.7: DMA requests. Added note 3 below Figure 218: Transfer sequence diagram for target transmitter on page 593. Added note below Figure 219: Transfer sequence diagram for target receiver on page 594. Modified Section : Closing target communication. Modified STOPF, ADDR, bit description in Section 23.6.6: I²C Status register 1 (I2C_SR1). Modified Section 23.6.7: I²C Status register 2 (I2C_SR2).</p> <p>USART: Updated Figure 231: Mute mode using address mark detection for Address =1. Renamed ONEBITE to ONEBIT in USART_CR3 register.</p>

Table 224. Document revision history (continued)

Date	Version	Changes
15-Apr-2011	3 (continued)	<p>SPI:</p> <p>Added TI frame error detection in Slave transmitter only mode in Section : SPI TI protocol in slave mode.</p> <p>Modified CRC error in Section 25.3.10: Error flags.</p> <p>Updated Section : DMA capability with CRC and Section 25.3.6: CRC calculation.</p> <p>Updated description of CRCNEXT in Section 25.5.1: SPI control register 1 (SPL_CR1) (not used in I²S mode).</p> <p>Added note related to I2S PLL used as I2S input clock in Section 25.4.3: Clock generator.</p> <p>SDIO:</p> <p>Updated condition respected by PCLK2 and SDIO_CK in Section 26.3: SDIO functional description.</p> <p>ETHERNET:</p> <p>Remove TX_ETR signal from Figure 317: Media independent interface signals.</p> <p>USB OTG FS:</p> <p>Updated in B-device session request protocol sequence.</p> <p>Added caution note related to minimum AHB frequency in Section 29.3.3: Full-speed OTG PHY.</p> <p>Modified TIM2 enable bits in Section 29.7.1: Host SOFs and Section 29.7.2: Peripheral SOFs.</p> <p>Updated OTG_FS_CID reset value.</p> <p>USB OTG HS:</p> <p>Added Note 1 below Figure 373: USB OTG interface block diagram.</p> <p>Updated in B-device session request protocol sequence.</p> <p>Added caution note related to minimum AHB frequency in Section 30.3.2: High-speed OTG PHY. Updated FSLSPCS definition in Section : OTG_HS host configuration register (OTG_HS_HCFG).</p> <p>Modified TIM2 enable bits in Section 30.7.1: Host SOFs and Section 30.7.2: Peripheral SOFs.</p> <p>In Section : OTG_HS host channel-x interrupt register (OTG_HS_HCINTx) (x = 0..11, where x = Channel_number) changed bit 2 of OTG_HS_HCINTx registers to AHBERR.</p> <p>Added NPTXFE bit description in Section : OTG_HS core interrupt register (OTG_HS_GINTSTS).</p> <p>Updated maximum values of RXFD and NPTXFD in Section : OTG_HS Receive FIFO size register (OTG_HS_GRXFSIZ), and maximum in Section : OTG_HS nonperiodic transmit FIFO size/Endpoint 0 transmit FIFO size register (OTG_HS_GNPTXFSIZ/OTG_HS_TX0FSIZ), respectively.</p> <p>Modified NPTXFSAV description in Section : OTG_HS nonperiodic transmit FIFO/queue status register (OTG_HS_GNPTXSTS).</p> <p>Updated OTG_HS_CID register reset value.</p>

Table 224. Document revision history (continued)

Date	Version	Changes
15-Apr-2011	3 (continued)	FSMC: Updated description of DATLAT, DATAST, and ADDSET bits in Section : SRAM/NOR-flash chip-select timing registers 1..4 (FSMC_BTR1..4) . Updated description of DATAST, and ADDSET bits in Section : SRAM/NOR-flash write timing registers 1..4 (FSMC_BWTR1..4) . DEBUG: Added revision Y in REV_ID(15:0) description in Section 32.6.1: MCU device ID code .

Table 224. Document revision history (continued)

Date	Version	Changes
13-Dec-2011	4	<p>Specified register access for CRC, power controller, RCC, GPIOs, SYSCFG, interrupts, DMA, ADC, DAC, timers, independent watchdog, window watchdog, RNG, cryptographic processor, UART, SPI, SDIO, CAN, USB OTG FS and HS, and FSMC.</p> <p>Definition of reserved bits standardized to “Reserved, must be kept at reset value”.</p> <p>Updated disclaimer on last page.</p> <p>PWR: Removed notes below Figure 7: Low-power mode summary.</p> <p>RCC: Updated Section 5.2.7: Clock security system (CSS). Updated HSERDY description in Section 5.3.1: RCC clock control register (RCC_CR). Updated PLLN and PLLQ in Section 5.3.2: RCC PLL configuration register (RCC_PLLCFGR). In Section 5.3.22: RCC spread spectrum clock generation register (RCC_SSCGR), changed MODPER and INCSTEP in RCC_SSCGR register bit mapping.</p> <p>INTERRUPTS: Updated Figure 19: External interrupt/event controller block diagram.</p> <p>DMA: Added note related to EN bit in Section 9.5.5: DMA stream x configuration register (DMA_SxCR) (x = 0..7). Updated definition of NDT[15:0] bits in Section 9.5.6: DMA stream x number of data register (DMA_SxNDTR) (x = 0..7).</p> <p>ADC: Removed temperature sensor sampling time from Section 10.10: Temperature sensor, and modified equation to calculate the temperature in Section : Reading the temperature. Updated Figure 29: Timing diagram. Updated AWDIE in Section 10.13.2: ADC control register 1 (ADC_CR1).</p> <p>DAC:</p> <p>TIMERS: TIM1 and TIM8: Updated Section 13.3.3: Repetition counter and modified Figure 85: Update rate examples depending on mode and TIMx_RCR register settings. TIM11/12/13/14: removed TRGO timer controller output in Figure 113: General-purpose timer block diagram.</p>

Table 224. Document revision history (continued)

Date	Version	Changes
13-Dec-2011	4 (continued)	<p>RTC: Updated Section 22.3.9: RTC coarse digital calibration. Added note to DC[4:0] bit description in Section 22.6.7: RTC calibration register (RTC_CALIBR).</p> <p>I2C: Updated Note in Section 23.6.8: I²C Clock control register (I2C_CCR).</p> <p>USART: Updated Section 24.3: USART functional description to remove IrDA_RDI and IrDA_TDO and removed IRDA_OUT and IRDA_IN from Figure 223: USART block diagram. Updated Section 24.3.11: Smartcard to specify that TX pin must be configured as open drain. Section 24.6.6: Control register 3 (USART_CR3): removed notes related to UART5 in DMAT and DMAR description.</p> <p>SPI: Modified Section : Slave select (NSS) pin management and note related to NSS in Section 25.3.3: Configuring the SPI in master mode.</p> <p>SDIO: Updated SDIO/DMA interface configuration steps in Section 26.3.2: SDIO APB2 interface. Updated value and description for bits [45:40] and [7:1] in Table 129: R4 response. Updated value at bits [45:40] in Table 131: R5 response.</p> <p>USB OTG FS: Updated INEPTXSA description in Section : OTG_FS device IN endpoint transmit FIFO size register (OTG_FS_DIEPTXFx) (x = 1..3, where x is the FIFO_number). Changed PHYSEL from bit 7 to bit 6 of the Section : OTG_FS USB configuration register (OTG_FS_GUSBCFG).</p> <p>USB OTG HS: Updated INEPTXSA description in Section : OTG_HS device IN endpoint transmit FIFO size register (OTG_HS_DIEPTXFx) (x = 1..5, where x is the FIFO_number). Added PHYSEL and updated FLSPCS for LS host mode in Section : OTG_HS USB configuration register (OTG_HS_GUSBCFG).</p> <p>ETHERNET: Updated standard for precision networked clock synchronization in Section 28.1: Ethernet introduction and Section 28.1: Ethernet introduction.</p>

Table 224. Document revision history (continued)

Date	Version	Changes
13-Dec-2011	4 (continued)	<p>FSMC: Updated Section 31.3.1: Supported memories and transactions and Section 31.3: AHB interface. Updated Section 27.4.2: Normal mode. Changed Clock divide ration minimum value in Table 173: Programmable NOR/PSRAM access parameters. Added register access in Section 31.5.6: NOR/PSRAM control registers and Section 31.6.8: NAND flash/PC Card control registers Updated Table 172: NOR Flash/PSRAM supported memories and transactions for SRAM and ROM in asynchronous mode. Updated Table 191: FSMC_BTRx bit fields, and Table 194: FSMC_BTRx bit fields. Added Note 1 below Figure 399: Mode1 read accesses, and Note 1 below Figure 401: ModeA read accesses.</p> <p>DEBUG: Section 32.16.4: Debug MCU APB1 freeze register (DBGMCU_APB1_FZ): added DBG_CAN2_STOP description for bit 26, and changed bit 24 to reserved. Updated bit 10 from reserved to DBG_RTC_STOP in Table 223: DBG register map and reset values.</p> <p>Electronic signature: Added Section 33.2: Flash size in Section 33.1: Unique device ID register (96 bits).</p>

Table 224. Document revision history (continued)

Date	Version	Changes
05-Nov-2012	5	<p>PWR: Updated V_{DDA} and V_{REF+} decoupling capacitor in Figure 3: Power supply overview. Updated case of no external battery in Section 4.1.2: Battery backup domain.</p> <p>RCC: Updated System clock frequency in Figure 9: Clock tree and Figure 11: Frequency measurement with TIM5 in Input capture mode. Updated HSITRIM[4:0] in Section 5.3.1: RCC clock control register (RCC_CR).</p> <p>GPIOs: Updated debug pins input pull-up/pull-down status after reset in Section 6.3.1: General-purpose I/O (GPIO).</p> <p>Interrupts and events: Updated number of maskable interrupt in Section 8.1.1: NVIC features.</p> <p>DMA: Updated direct mode description in Section 9.2: DMA main features. Updated direct mode description in Section : Memory-to-peripheral mode, and /Section : Memory-to-memory mode.</p> <p>ADC: Changed ADCCLK frequency to 30 MHz in Section 10.5: Channel-wise programmable sampling time. Updated Section : Reading the temperature. Added recovery from ADC sequence in Section 10.8.1: Using the DMA and Section 10.8.2: Managing a sequence of conversions without using the DMA.</p> <p>TIM1 to TIM8: Updated 16-bit prescaler range in Section 13.2: TIM1 and TIM8 main features. Updated update event generation in Section : Upcounting mode and Section : Downcounting mode in Section 13.3.2: Counter modes, and in Section 13.3.3: Repetition counter. Updated OC1 block diagram in Figure 93: Output stage of capture/compare channel (channel 1 to 3). Updated Section 13.3.6: Input capture mode. Updated bits that control the dead-time generation in Section 13.3.11: Complementary outputs and dead-time insertion. Updated ways to generate a break in Section 13.3.12: Using the break function. OCxREF changed to ETR in the example given in Section 13.3.13: Clearing the OCxREF signal on an external event and OCREF_CLR to ETRF in Figure 103: Clearing TIMx OCxREF.</p>

Table 224. Document revision history (continued)

Date	Version	Changes
05-Nov-2012	5 (continued)	<p>TIM1 to TIM8 (continued): Updated configuration for example of counter operation in encoder interface mode in Section 13.3.16: Encoder interface mode. Updated Section 13.3.18: Interfacing with Hall sensors. Changed definition of ARR[15:0] bits in Section 13.4.12: TIM1 and TIM8 auto-reload register (TIMx_ARR). Updated BKE definition in Section 13.4.18: TIM1 and TIM8 break and dead-time register (TIMx_BDTR).</p> <p>TIM2 to TIM5: Restored TIM2 to TIM5 block diagram. Updated 16-bit prescaler range in Section 14.2: TIM2 to TIM5 main features. External clock mode 2 restricted to TIM2 to TIM4 in Section 14.3.3: Clock selection. Updated Section 14.3.6: PWM input mode and Section 14.3.11: Clearing the OCxREF signal on an external event. Updated Figure 153: Master/Slave timer example to change ITR1 to ITR0. Updated Section : Starting 2 timers synchronously in response to an external trigger. Restored bits 15 to 8 of TIMx_SMCR in Section 14.4.3. Restored TIMx internal trigger connection table for TIM2 to TIM5. Updated TIMx_CCER bit description for TIM2 to TIM5.</p> <p>TIM6 to TIM7: Updated 16-bit prescaler factor in Section 16.2: TIM6 and TIM7 main features. Removed references to repetition counter.</p> <p>HASH: Updated Section 21.4.7: HASH context swap registers (HASH_CSRx)</p> <p>RNG: Updated Section 20.1: RNG introduction.</p> <p>RTC: Updated Section : RTC register write protection. Updated Section 22.3.8: RTC reference clock detection. Added system reset value for Section 22.6.4: RTC initialization and status register (RTC_ISR). Added system reset value in Section 22.6.1: RTC time register (RTC_TR), Section 22.6.2: RTC date register (RTC_DR). Changed reset value to system reset value in Section 22.6.3: RTC control register (RTC_CR). Added power-on reset value and changed reset value to system reset value in Section 22.6.11: RTC time stamp time register (RTC_TSTR). Updated definition of ALARMOUTTYPE in Section 22.6.13: RTC tamper and alternate function configuration register (RTC_TAFCR). Renamed RTC_BKxR into RTC_BKPxR in Table 80: RTC register map and reset values.</p>

Table 224. Document revision history (continued)

Date	Version	Changes
05-Nov-2012	5 (continued)	<p>I2C: Modified Section 23.3.7: DMA requests. Updated definition of PE and note related to SWRST bit, moved note related to STOP bit to the whole register in Section 23.6.1: I²C Control register 1 (I2C_CR1) Updated bit 14 description in Section 23.6.3: I²C Own address register 1 (I2C_OAR1).</p> <p>CAN: Updated dual CAN block diagram. Updated register description and definition of CAN2SB bits in Section : CAN filter master register (CAN_FMR).</p> <p>ETHERNET: RTPR renamed PM in Table 145: Source address filtering. Updated value of HCLK for CR= 001 in Section : Ethernet MAC MII address register (ETH_MACMIAR).</p> <p>USB OTG FS: Updated remote wakeup signaling bit and the resume interrupt in Section : Suspended state.</p> <p>USB OTG HS: Renamed PHYSEL into PHSEL and changed from bit 7 to bit 6 of the OTG_HS_GUSBCFG register. Updated remote wakeup signaling bit and the resume interrupt in Section : Suspended state. Updated OTG_HS_DIEPEACHMSK1 and OTG_HS_DOEPEACHMSK1 address offsets and reset values.</p> <p>FSMC: Updated step b) in Section 31.3.1: Supported memories and transactions. Updated case of synchronous accesses in Section 31.5.4: NOR flash/PSRAM controller asynchronous transactions. Removed caution note in Section 31.6.1: External memory interface signals. Changed data_setup_phase and data_phase to DATAST in Section : WAIT management in asynchronous accesses. Updated Section 31.5.3: General timing rules/Signals synchronization. Updated step3 of Section 31.6.4: NAND flash operations, updated Figure 418: Access to non 'CE don't care' NAND-Flash and note below. Updated access to I/O Space in Section 31.6.7: PC Card/CompactFlash operations. Updated Table 202: 16-bit PC Card and Table 204: 16-bit PC-Card signals and access type. Updated BUSTURN bit definition in Section : SRAM/NOR-flash chip-select control registers 1..4 (FSMC_BCR1..4). Changed bits 16 to 19 to BUSTURN in Section : SRAM/NOR-flash chip-select timing registers 1..4 (FSMC_BTR1..4). Changed min. value for address set to 0 in Table 175, Table 177, Table 178, Table 180, and Table 181.</p>

Table 224. Document revision history (continued)

Date	Version	Changes
05-Nov-2012	5 (continued)	<p>Debug: Updated IO states after reset in Section 32.4.3: Internal pull-up and pull-down on JTAG pins. Updated REV_ID in Section 32.6.1: MCU device ID code.</p> <p>Electronic signature: Updated Section 33: Device electronic signature introduction as well as Section 33.2: Flash size.</p>
16-Sep-2013	6	<p>PWR: Updated Section 4.2.2: Brownout reset (BOR). Replaced "The backup domain includes 4 Kbytes of backup SRAM accessible only from the CPU" with "The backup domain includes 4 Kbytes of backup SRAM" in Backup SRAM. Updated Table 10: Stop mode. Updated description of "Bit 0 WUF: Wakeup flag" in PWR_CSR register.</p> <p>RCC Modified description of PLLN bits in Section 5.3.2: RCC PLL configuration register (RCC_PLLCFGR).</p> <p>GPIO: Removed frequency value in description of OSPEEDR bits.</p> <p>Interrupts: Updated Section 8.1.1: NVIC features.</p> <p>DAC: Updated Section 10.9.3: Interleaved mode, Section 10.9.4: Alternate trigger mode, and Section 10.9.6: Combined regular simultaneous + alternate trigger mode to describe case of interrupted conversion.</p> <p>RTC: Removed "or when the Flash readout protection is disabled" in Section 22.6.14: RTC backup registers (RTC_BKPxR). Replaced all occurrences of "power-on reset" with "backup domain reset". Replaced "System reset: 0x0000 0000 when BYPSHAD = 0. Not affected when BYPSHAD = 1." with "System reset: 0x0000 0000 before the RSF flag is set, then the correct value is available in Section 22.6.1: RTC time register (RTC_TR)". Replaced "System reset: 0x0000 2101 when BYPSHAD = 0. Not affected when BYPSHAD = 1." with "System reset: 0x0000 2101 before the RSF flag is set, then the correct value is available in Section 22.6.2: RTC date register (RTC_DR)". Added under Table 80: RTC register map and reset values.</p>

Table 224. Document revision history (continued)

Date	Version	Changes
16-Sep-2013	6 (continued)	<p>I2C: Replaced “M/SL” by “MSL”. USART: Removed note in Section 24.3.13: Continuous communication using DMA Updated Section 24.3.8: LIN (local interconnection network) mode</p> <p>CAN: Removed note in Section 27.2: bxCAN main features.</p> <p>Ethernet: Modified ETH_MACA0HR and ETH_DMABMR reset values.</p> <p>USB OTG: Removed note related to VDD range limitation below Figure 350: OTG A-B device connection and Figure 351: USB peripheral-only connection.</p> <p>FSMC: Updated Section : Signals synchronization. Updated Figure 397: FSMC block diagram. Updated Section 31.5.4: NOR flash/PSRAM controller asynchronous transactions. Modified differences between Mode B and mode 1 in Section : Mode 2/B - NOR flash. Modified differences between Mode C and mode 1 in Section : Mode C - NOR flash - OE toggling. Modified differences between Mode D and mode 1 in Section : Mode D - asynchronous access with extended address. Updated NWAIT signal in Figure 412: Asynchronous wait during a read access, Figure 413: Asynchronous wait during a write access, Figure 414: Wait configurations, Figure 415: Synchronous multiplexed read mode - NOR, PSRAM (CRAM) and Figure 416: Synchronous multiplexed write mode - PSRAM (CRAM). Updated Section : SRAM/NOR-flash chip-select control registers 1..4 (FSMC_BCR1..4). Updated Table 179 to Table 198. Updated Section 31.1: FSMC main features, Section 31.6.6: Computation of the error correction code (ECC) in NAND flash memory, Section 31.5.4: NOR flash/PSRAM controller asynchronous transactions, Section : SRAM/NOR-flash chip-select control registers 1..4 (FSMC_BCR1..4), Section : SRAM/NOR-flash chip-select timing registers 1..4 (FSMC_BTR1..4) and Section : SRAM/NOR-flash write timing registers 1..4 (FSMC_BWTR1..4). Replaced SRAM/CRAM by SRAM/PSRAM in the whole section. Changed bits 27 to 20 of FSMC_BWTR1..4 to reserved. Updated definition of PWID in Section : PC Card/NAND flash control registers 2..4 (FSMC_PCR2..4).</p>

Table 224. Document revision history (continued)

Date	Version	Changes
04-Feb-2015	7	<p>PWR Updated Table 7: Low-power mode summary to add Return from ISR as entry condition. Added Section : Entering low-power mode and Section : Exiting low-power mode. Updated Section : Entering Sleep mode, Section : Exiting Sleep mode, Table 8: Sleep-now and Table 9: Sleep-on-exit. Updated Section : Entering Stop mode, Section : Exiting Stop mode, and Table 10: Stop mode. Updated Section : Entering Standby mode, Section : Exiting Standby mode and Table 11: Standby mode.</p> <p>RCC Updated caution note applying to PLLN in Section 5.3.2: RCC PLL configuration register (RCC_PLLCFGR). Changed bits 25 to 31 access type to 'r' and bit 24 (RMVF) to 'rt_w' in Section 5.3.21: RCC clock control & status register (RCC_CSR)</p> <p>DMA Updated Section 9.3.7: Pointer incrementation and Section 9.3.11: Single and burst transfers. Updated FTH[1:0] description in Section 9.5.10: DMA stream x FIFO control register (DMA_SxFCR) (x = 0..7).</p> <p>ADC Updated Section 10.3.10: Discontinuous mode.</p> <p>DCMI Updated Section 12.4: DCMI clocks and Section 12.5.2: DCMI physical interface</p> <p>TIM1/8 Updated CCPC definition in Section 13.4.2: TIM1 and TIM8 control register 2 (TIMx_CR2)</p> <p>TIM2 to TIM5 Replaced IC2S by CC2S. Updated Figure 140: Output stage of capture/compare channel (channel 1).</p> <p>TIM9 to TIM14 Added Section 15.5.2: TIM10/11/13/14 Interrupt enable register (TIMx_DIER). Updated Table 63: TIMx internal trigger connection. Added Section 15.5.2: TIM10/11/13/14 Interrupt enable register (TIMx_DIER).</p> <p>WDGLS Update note in Table 69: Min/max IWDG timeout period (in ms) at 32 kHz (LSI).</p>

Table 224. Document revision history (continued)

Date	Version	Changes
04-Feb-2015	7 (continued)	<p>WWDG Updated Figure 193: Watchdog block diagram and Section 18.4: How to program the watchdog timeout. Updated Figure 194: Window watchdog timing diagram.</p> <p>RNG Replaced PLL48CLK by RNG_CLK in the whole section.</p> <p>RTC Changed bit 9 ALRBIE to ALRBE in Section 22.6.3: RTC control register (RTC_CR). Added note in Section 22.3.12: Calibration clock output.</p> <p>I2C Introduced Sm (standard mode) and Fm (fast mode) acronyms.</p> <p>ETHERNET Updated TBAP2 bit description in Section : TDES3: Transmit descriptor Word3. Changed PPS output enabling method in Section : PTP pulse-per-second output signal. Updated Table 140: Clock range. Added ETH_PTPPPSCR in Table 148: Ethernet register map and reset values.</p> <p>USB OTG-FS Figure 349: OTG full-speed block diagram, Figure 350: OTG A-B device connection, Figure 351: USB peripheral-only connection, Figure 352: USB host-only connection and Figure 353: SOF connectivity made generic to all product lines. Removed TRDT formula in Section 29.17.7: Worst case response time and added Table 156: TRDT values.</p> <p>USB OTG-HS Updated DSPD definition in Section : OTG_HS device configuration register (OTG_HS_DCFG) Removed TRDT formula in Section 30.13.8: Worst case response time and added Table 166: TRDT values</p> <p>FSMC Updated BUSTURN definition in Table 198: FSMC_BTRx bit fields. Updated Figure 415: Synchronous multiplexed read mode - NOR, PSRAM (CRAM).</p> <p>DEBUG Updated REV_ID[15:0] in Section : DBGMCU_IDCODE to add revision 1, V and 2.</p>

Table 224. Document revision history (continued)

Date	Version	Changes
26-Apr-2018	8	<p>Added Arm logo and notice in Section 1: Documentation conventions and changed 'ARM' wordmark to 'Arm' in the whole document.</p> <p>RCC Changed OTG_HS_SCL into OTG_HS_ULPI_CK in Figure 9: Clock tree.</p> <p>GPIOs Changed definition of OSPEEDR bits in Section 6.4.3: GPIO port output speed register (GPIOx_OSPEEDR) (x = A..I).</p> <p>DMA Changed bit 18 of DMS_SxCR to DBM in register bit map table. Changed bit 20 from ACK to reserved in Table 31: DMA register map and reset values.</p> <p>ADC Updated DMA mode 1 and DMA mode 3 description in Section 10.9: Multi ADC mode.</p> <p>DAC Replaced 4095 by 4096 in formula in Section 11.3.5: DAC output voltage.</p> <p>TIM1 and TIM8 Updated Section 13.3.21: Debug mode. Added note related to slave clock in MMS bits of TIMx_CR2. Extended TIMx_DMAR to 32 bits. Changed TIMx_ARR reset value to 0xFFFF. Updated Table 57: Output control bits for complementary OCx and OCxN channels with break feature output state for MOE = 0. Updated SMS bit description in TIMx_SMCR and added note related to slave clock. Updated Table 56: TIMx Internal trigger connection.</p> <p>TIM2 to TIM5 Added note related to the slave timer clock in Section 14.3.15: Timer synchronization. Updated SMS bit description in TIMx_SMCR and added note related to slave clock. Added note related to slave clock in MMS bits of TIMx_CR2. Updated Section 14.4.11: TIMx prescaler (TIMx_PSC). Changed TIMx_ARR reset value to 0xFFFF. Changed TIMx_ARR reset value to 0xFFFF.</p>

Table 224. Document revision history (continued)

Date	Version	Changes
26-Apr-2018	8 (continued)	<p>TIM9 to 14 Updated Section 15.4.3: TIM9/12 slave mode control register (TIMx_SMCR) encoder mode description and adding note on bits[2:0] for the slave timer clock. Updated TIMx_SMCR and TIMx_CCMR1 register adding “consecutive” in the description. Updated Section 15.4.10: TIM9/12 prescaler (TIMx_PSC). Added OPM bit in Section 15.5.1: TIM10/11/13/14 control register 1 (TIMx_CR1) Changed TIMx_ARR reset value to 0xFFFF.</p> <p>TIM6 and TIM7 Updated Section 16.4.7: TIM6 and TIM7 prescaler (TIMx_PSC) Changed TIMx_ARR reset value to 0xFFFF.</p> <p>WWDG Figure 193: Watchdog block diagram replacing 6-bit downcounter by 7-bit. downcounter..</p> <p>HASH HASH availability restricted to STM32F21xx devices.</p> <p>RTC Updated WUCKSEL prescaler input in Figure 215: RTC block diagram. Updated 3rd step in Section : Programming the wake-up timer. Updated Section 22.3.7: Resetting the RTC. Updated Section 22.3.8: RTC reference clock detection. Added note for WUFE bit in Section 22.6.3: RTC control register (RTC_CR). Updated WUTWF bit definition in Section 22.6.4: RTC initialization and status register (RTC_ISR).</p> <p>I2C Updated FREQ[5:0] description in Section 23.6.2: I²C Control register 2 (I2C_CR2) to make it generic for all products.</p> <p>USART Replaced all occurrences of – nCTS by CTS – nRTS by RTS – SCLK by CK Removed note related to RXNEIE in Section : Reception using DMA. Added note in ONEBIT description in Section 24.6.6: Control register 3 (USART_CR3).</p>

Table 224. Document revision history (continued)

Date	Version	Changes
26-Apr-2018	8 (continued)	<p>SPI Register for RXONLY changed from SPI_CR2 to SPI_CR1 in Section 25.3.4: Configuring the SPI for half-duplex communication and Section : Unidirectional receive-only procedure (BIDIMODE=0 and RXONLY=1).</p> <p>USB OTG_FS Replaced bit 18 by bit 19 in OEPINT bit description of OTG_FS_DAIN and OEPM bit description of OTG_FS_DAINMSK. Updated reset values for OTG_FS Host periodic transmit FIFO size register (OTG_FS_HPTXFSIZ) and OTG_FS device IN endpoint transmit FIFO size register (OTG_FS_DIEPTXFx) (x = 1..3, where x is the FIFO_number). Updated STALL bit description in OTG_FS device endpoint-x control register (OTG_FS_DOEPTCTLx) (x = 1..3, where x = Endpoint_number).</p> <p>USB OTG_HS Removed I2C interface from the whole document. Updated Figure 373: USB OTG interface block diagram and added Table 159: OTG_HS input/output pins. Added Figure 374: USB host-only connection. Modified SOF pulse width in Section 30.7.2: Peripheral SOFs. Added Table 160: Compatibility of STM32 low power modes with the OTG in Section 30.8: OTG_HS low-power modes. Updated Figure 377: Interrupt hierarchy. Updated Table 163: Device-mode control and status registers. Section : OTG_HS control and status register (OTG_HS_GOTGCTL): updated reset value and SRQ definition. Updated Section : OTG_HS USB configuration register (OTG_HS_GUSBCFG) Section : OTG_HS reset register (OTG_HS_GRSTCTL): updated reset value and FCRST definition. Section : OTG_HS interrupt mask register (OTG_HS_GINTMSK): changed PRTIM access type to 'rw' and suppressed EPMISM bit. Updated Section : OTG_HS Receive FIFO size register (OTG_HS_GRXFSIZ) reset value. Changed NPTXFD access type in Section : OTG_HS nonperiodic transmit FIFO size/Endpoint 0 transmit FIFO size register (OTG_HS_GNPTXFSIZ/OTG_HS_TX0FSIZ). Updated Section : OTG_HS nonperiodic transmit FIFO/queue status register (OTG_HS_GNPTXSTS) and Section : OTG_HS general core configuration register (OTG_HS_GCCFG) reset value. Suppressed OTG_HS_GI2CCTL register Updated FRIVL definition in Section : OTG_HS Host frame interval register (OTG_HS_HFIR).</p>

Table 224. Document revision history (continued)

Date	Version	Changes
26-Apr-2018	8 (continued)	<p>USB OTG_HS (continued) Changed PTXFSAVL access type to 'r' in Section : OTG_HS host frame number/frame time remaining register (OTG_HS_HFNUM) Renamed bit 2 name into AHBERRM and definition updated in Section : OTG_HS host channel-x interrupt mask register (OTG_HS_HCINTMSKx) (x = 0..11, where x = Channel_number). Updated bit 7:9 definition in Section : OTG_HS device control register (OTG_HS_DCTL). Added NAKM and AHBERRM bits in Section : OTG_HS device IN endpoint common interrupt mask register (OTG_HS_DIEPMSK). Added NYETMSK, NAKMSK, BERRM, STSPHSRXM and AHBERRM bits in Section : OTG_HS device OUT endpoint common interrupt mask register (OTG_HS_DOEPMSK). Replaced DWORDS by words in Section : OTG_HS Device threshold control register (OTG_HS_DTHRCTL). Added AHBERRM in Section : OTG_HS device each in endpoint-1 interrupt register (OTG_HS_DIEPEACHMSK1). Updated STALL bit definition in Section : OTG_HS device endpoint-x control register (OTG_HS_DOEPCTLx) (x = 1..5, where x = Endpoint_number). Removed BERR bit and added BNA, INEPM and AHBERR bits in Section : OTG_HS device endpoint-x interrupt register (OTG_HS_DIEPINTx) (x = 0..5, where x = Endpoint_number). Added NAK, BERR, OUTPKTERR and AHBERR bits in Section : OTG_HS device endpoint-x interrupt register (OTG_HS_DOEPINTx) (x = 0..5, where x = Endpoint_number).</p> <p>FSMC Updated Section 31.3: AHB interface. Modified Figure 411: Multiplexed write accesses. Added note related to the hold phase delay below Figure 417: NAND/PC Card controller timing for common memory access. Updated Section 31.6.5: NAND flash prewait functionality. Updated note related to IRS and IFS bits in FSMC_SR. Updated BUSTURN bitfield description in SRAM/NOR-flash write timing registers 1..4 (FSMC_BWTR1..4) and SRAM/NOR-flash chip-select timing registers 1..4 (FSMC_BTR1..4). Updated MEMHOLDx in Common memory space timing register 2..4 (FSMC_PMEM2..4) and ATTHOLD in Attribute memory space timing registers 2..4 (FSMC_PATT2..4).</p> <p>DEBUG Updated REV_ID in DBGMCU_IDCODE register.</p>

Table 224. Document revision history (continued)

Date	Version	Changes
25-Feb-2021	9	<p>Updated:</p> <ul style="list-style-type: none"> – Section 5: Reset and clock control (RCC): <i>Section 5.3.2: RCC PLL configuration register (RCC_PLLCFGR)</i> – Section 9: DMA controller (DMA): <i>Table 22: DMA1 request mapping</i> <i>Table 23: DMA2 request mapping</i> – Section 10: Analog-to-digital converter (ADC): <i>Section 10.8.1: Using the DMA</i> <i>Section : Dual ADC mode</i> <i>Section 10.10: Temperature sensor</i> – Section 13: Advanced-control timers (TIM1 and TIM8): <i>Figure 65: Advanced-control timer block diagram</i> <i>Figure 92: Capture/compare channel 1 main circuit</i> <i>Section 13.4.9: TIM1 and TIM8 capture/compare enable register (TIMx_CCER)</i> – Section 14: General-purpose timers (TIM2 to TIM5): <i>Figure 139: Capture/compare channel 1 main circuit</i> – Section 23: Inter-integrated circuit (I2C) interface: <i>Section 23.6.8: I²C Clock control register (I2C_CCR)</i> – Section 24: Universal synchronous asynchronous receiver transmitter (USART): <i>Figure 227: Start bit detection when oversampling by 16 or 8</i> – Section 25: Serial peripheral interface (SPI): <i>Figure 248: SPI block diagram</i> – Section 26: Secure digital input/output interface (SDIO): <i>Section 26.9.2: SDI clock control register (SDIO_CLKCR)</i> – Section 27: Controller area network (bxCAN): <i>Section 27.4.1: Initialization mode</i>

Table 224. Document revision history (continued)

Date	Version	Changes
25-Feb-2021	9 (continued)	<ul style="list-style-type: none"> <li data-bbox="673 340 1399 434">– Section 28: Ethernet (ETH): media access control (MAC) with DMA controller: Section : Normal Tx DMA descriptors <li data-bbox="673 470 1257 564">– Section 29: USB on-the-go full-speed (OTG_FS): Table 153: Device-mode control and status registers Section 29.17.6: Operational model <li data-bbox="673 600 1399 1469">– Section 30: USB on-the-go high-speed (OTG_HS): Section : Detection of peripheral connection by the host Table 161: Core global control and status registers (CSRs) Table 163: Device-mode control and status registers Section : OTG_HS device IN endpoint transmit FIFO size register (OTG_HS_DIEPTXFx) (x = 1..5, where x is the FIFO_number) Section : OTG_HS all endpoints interrupt mask register (OTG_HS_DAINMSK) Section : OTG device endpoint-x control register (OTG_HS_DIEPCTLx) (x = 0..5, where x = Endpoint_number) Section : OTG_HS device endpoint-x control register (OTG_HS_DOEPTLx) (x = 1..5, where x = Endpoint_number) Section : OTG_HS device endpoint-x interrupt register (OTG_HS_DIEPINTx) (x = 0..5, where x = Endpoint_number) Section : OTG_HS device endpoint-x interrupt register (OTG_HS_DOEPINTx) (x = 0..5, where x = Endpoint_number) Section : OTG_HS device endpoint-x transfer size register (OTG_HS_DIEPTSIZx) (x = 1..5, where x = Endpoint_number) Section : OTG_HS device endpoint-x DMA address register (OTG_HS_DIEPDMAx / OTG_HS_DOEPDMAx) (x = 0..5, where x = Endpoint_number) Table 168: OTG_HS register map and reset values Section 30.13.2: Host initialization Figure 379: Transmit FIFO write task Figure 380: Receive FIFO read task Figure 389: Receive FIFO packet read in slave mode Figure 390: Processing a SETUP packet Section 30.13.7: Operational model <li data-bbox="673 1505 1090 1568">– Section 32: Debug support (DBG): Section 32.6.1: MCU device ID code

Table 224. Document revision history (continued)

Date	Version	Changes
14-May-2025	10	<p>Updated Introduction, Related documents, Section 4.1.2: Battery backup domain, Section 4.4.1: PWR power control register (PWR_CR), Section 4.4.2: PWR power control/status register (PWR_CSR), Section 5.1.3: Backup domain reset, Section 5.3.19: RCC APB2 peripheral clock enabled in low power mode register (RCC_APB2LPENR), Section 5.3.20: RCC Backup domain control register (RCC_BDCR), Section 6.3.2: I/O pin multiplexer and mapping, Section 13.3.16: Encoder interface mode, Section 13.4.7: TIM1 and TIM8 capture/compare mode register 1 (TIMx_CCMR1), Section 14.3.12: Encoder interface mode, Transmit checksum offload, SPI TI protocol in slave mode, Filter priority rules, and Section 32.4.2: Flexible SWJ-DP pin assignment.</p> <p>Replaced master/slave with controller/target in Section 23: Inter-integrated circuit (I2C) interface.</p> <p>Added Section 34: Important security notice.</p> <p>Updated Figure 9: Clock tree, and figures 218 to 222.</p> <p>Minor text edits across the whole document.</p>

Index

A

ADC_CCR	247
ADC_CDR	250
ADC_CR1	237
ADC_CR2	239
ADC_CSR	247
ADC_DR	246
ADC_HTR	242
ADC_JDRx	246
ADC_JOFRx	242
ADC_JSQR	245
ADC_LTR	243
ADC_SMPR1	241
ADC_SMPR2	241
ADC_SQR1	243
ADC_SQR2	244
ADC_SQR3	244
ADC_SR	236

C

CAN_BTR	809
CAN_ESR	808
CAN_FA1R	816
CAN_FFA1R	816
CAN_FiRx	817
CAN_FM1R	815
CAN_FMR	814
CAN_FS1R	815
CAN_IER	806
CAN_MCR	800
CAN_MSR	802
CAN_RDHxR	814
CAN_RDLxR	813
CAN_RDTxR	813
CAN_RF0R	805
CAN_RF1R	806
CAN_RiRx	812
CAN_TDHxR	812
CAN_TDLxR	811
CAN_TDTxR	811
CAN_TiRx	810
CAN_TSR	803
CRC_DR	62
CRC_IDR	62
CRYP_CR	522
CRYP_DIN	526
CRYP_DMCCR	528

CRYP_DOUT	527
CRYP_IMSCR	528
CRYP_IV0LR	532
CRYP_IV0RR	532
CRYP_IV1LR	533
CRYP_IV1RR	533
CRYP_K0LR	530
CRYP_K0RR	530
CRYP_K1LR	531
CRYP_K1RR	531
CRYP_K2LR	531
CRYP_K2RR	531
CRYP_K3LR	531
CRYP_K3RR	532
CRYP_MISR	529
CRYP_RISR	529
CRYP_SR	525

D

DAC_CR	265
DAC_DHR12L1	269
DAC_DHR12L2	270
DAC_DHR12LD	271
DAC_DHR12R1	268
DAC_DHR12R2	270
DAC_DHR12RD	271
DAC_DHR8R1	269
DAC_DHR8R2	270
DAC_DHR8RD	272
DAC_DOR1	272
DAC_DOR2	272
DAC_SR	273
DAC_SWTRIGR	268
DBGMCU_APB1_FZ	1321
DBGMCU_APB2_FZ	1322
DBGMCU_CR	1319
DBGMCU_IDCODE	1306
DCMI_CR	287
DCMI_CWSIZE	295
DCMI_CWSTRT	295
DCMI_DR	296
DCMI_ESCR	293
DCMI_ESUR	294
DCMI_ICR	293
DCMI_IER	291
DCMI_MIS	292
DCMI_RIS	290
DCMI_SR	289

DMA_HIFCR	197
DMA_HISR	196
DMA_LIFCR	197
DMA_LISR	195
DMA_SxCR	198
DMA_SxFCR	203
DMA_SxM0AR	202
DMA_SxM1AR	202
DMA_SxNDTR	201
DMA_SxPAR	201

E

ETH_DMABMR	921
ETH_DMACHRBAR	934
ETH_DMACHRDR	934
ETH_DMACHTBAR	934
ETH_DMACHTDR	933
ETH_DMAIER	930
ETH_DMAMFBOCR	932
ETH_DMAOMR	927
ETH_DMARDLAR	924
ETH_DMARPDR	923
ETH_DMARSWTR	933
ETH_DMASR	925
ETH_DMATDLAR	924
ETH_DMATPDR	923
ETH_MACA0HR	905
ETH_MACA0LR	906
ETH_MACA1HR	906
ETH_MACA1LR	907
ETH_MACA2HR	907
ETH_MACA2LR	908
ETH_MACA3HR	908
ETH_MACA3LR	909
ETH_MACCCR	892
ETH_MACDBGR	903
ETH_MACFCR	898
ETH_MACFFR	894
ETH_MACHTHR	896
ETH_MACHTLR	897
ETH_MACIMR	905
ETH_MACMIAR	897
ETH_MACMIIDR	898
ETH_MACPMTCSR	902
ETH_MACRWUFR	901
ETH_MACSR	904
ETH_MACVLNTR	900
ETH_MMCCR	909
ETH_MMCRAECCR	914
ETH_MMCRAECCR	914
ETH_MMCRAECCR	914

ETH_MMCRIMR	911
ETH_MMCRIR	910
ETH_MMCTGFCR	913
ETH_MMCTGFMSCCR	913
ETH_MMCTGFSCCR	913
ETH_MMCTIMR	912
ETH_MMCTIR	911
ETH_PTPPPSCR	921
ETH_PTPSSIR	917
ETH_PTPTSAR	919
ETH_PTPTSCR	915
ETH_PTPTSHR	917
ETH_PTPTSHUR	918
ETH_PTPTSLR	918
ETH_PTPTSLUR	919
ETH_PTPTSSR	920
ETH_PTPTTHR	920
ETH_PTPTTLR	920
EXTI_EMR	169
EXTI_FTSR	170
EXTI_IMR	169
EXTI_PR	171
EXTI_RTSR	170
EXTI_SWIER	171

F

FSMC_BCR1..4	1276
FSMC_BTR1..4	1279
FSMC_BWTR1..4	1282
FSMC_PCR2..4	1292
FSMC_PMEM2..4	1294
FSMC_SR2..4	1293

G

GPIOx_AFRH	153
GPIOx_AFRL	152
GPIOx_BSRR	150
GPIOx_IDR	150
GPIOx_LCKR	151
GPIOx_MODER	148
GPIOx_ODR	150
GPIOx_OSPEEDR	149
GPIOx_OTYPER	148
GPIOx_PUPDR	149

H

HASH_CR	550
HASH_CSRx	558
HASH_DIN	553
HASH_HR0	555

HASH_HR1	555	OTG_FS_GINTSTS	978
HASH_HR2	555	OTG_FS_GOTGCTL	970
HASH_HR3	555	OTG_FS_GOTGINT	971
HASH_HR4	556	OTG_FS_GRSTCTL	976
HASH_IMR	556	OTG_FS_GRXFSIZ	986
HASH_SR	557	OTG_FS_GRXSTSP	985
HASH_STR	554	OTG_FS_GRXSTSR	985
		OTG_FS_GUSBCFG	974
		OTG_FS_HAINT	993
		OTG_FS_HAINTMSK	994
		OTG_FS_HCCHARx	997
		OTG_FS_HCFG	991
		OTG_FS_HCINTMSKx	999
		OTG_FS_HCINTx	998
		OTG_FS_HCTSIZx	1000
		OTG_FS_HFIR	991
		OTG_FS_HFNUM	992
		OTG_FS_HNPTXFSIZ	987
		OTG_FS_HNPTXSTS	987
		OTG_FS_HPRT	994
		OTG_FS_HPTXFSIZ	990
		OTG_FS_HPTXSTS	992
		OTG_FS_PCGCCTL	1024
		OTG_HS_CID	1128
		OTG_HS_DAIN	1149
		OTG_HS_DAINMSK	1150
		OTG_HS_DCFG	1142
		OTG_HS_DCTL	1144
		OTG_HS_DEACHINT	1153
		OTG_HS_DEACHINTMSK	1154
		OTG_HS_DIEPCTLx	1156
		OTG_HS_DIEPDMAx	1170
		OTG_HS_DIEPEACHMSK1	1154
		OTG_HS_DIEPEMPMSK	1153
		OTG_HS_DIEPINTx	1163
		OTG_HS_DIEPMSK	1147
		OTG_HS_DIEPTSIZ0	1166
		OTG_HS_DIEPTSIZx	1168
		OTG_HS_DIEPTXF0	987
		OTG_HS_DIEPTXFx	990
		OTG_HS_DOEPCCTL0	1013
		OTG_HS_DOEPCCTLx	1014
		OTG_HS_DOEPINTx	1018
		OTG_HS_DOEPMSK	1005
		OTG_HS_DOEPTSIZ0	1021
		OTG_HS_DOEPTSIZx	1023
		OTG_HS_DSTS	1003
		OTG_HS_DTXFSTSx	1023
		OTG_HS_DVBUSDIS	1007
		OTG_HS_DVBUSPULSE	1007
		OTG_HS_GAHBCFG	973
		OTG_HS_GCCFG	988
		OTG_HS_GINTMSK	982
		OTG_HS_DTHRCTL	1152
		OTG_HS_DTXFSTSx	1169
		OTG_HS_DVBUSDIS	1150
		OTG_HS_DVBUSPULSE	1151

OTG_HS_GAHBCFG	1110	RCC_CFGR	98
OTG_HS_GCCFG	1127	RCC_CIR	101
OTG_HS_GINTMSK	1121	RCC_CR	95
OTG_HS_GINTSTS	1117	RCC_CSR	128
OTG_HS_GNPTXFSIZ	1126	RCC_PLLCFGR	96, 130
OTG_HS_GNPTXSTS	1126	RCC_SSCGR	129
OTG_HS_GOTGCTL	1107	RNG_CR	537
OTG_HS_GOTGINT	1108	RNG_DR	538
OTG_HS_GRSTCTL	1114	RNG_SR	537
OTG_HS_GRXFSIZ	1125	RTC_ALRMAR	582
OTG_HS_GRXSTSP	1124	RTC_ALRMBR	583
OTG_HS_GRXSTSR	1124	RTC_BKxR	587
OTG_HS_GUSBCFG	1111	RTC_CALIBR	581
OTG_HS_HAINT	1133	RTC_CR	576
OTG_HS_HAINTMSK	1133	RTC_DR	575
OTG_HS_HCCHARx	1136	RTC_ISR	578
OTG_HS_HCDMAx	1142	RTC_PRER	580
OTG_HS_HCFG	1129	RTC_TAFCR	586
OTG_HS_HCINTMSKx	1140	RTC_TR	574
OTG_HS_HCINTx	1139	RTC_TSDR	585
OTG_HS_HCSPLTx	1138	RTC_TSTR	584
OTG_HS_HCTSIZx	1141	RTC_WPR	584
OTG_HS_HFIR	1131	RTC_WUTR	580
OTG_HS_HFNUM	1131		
OTG_HS_HPRT	1134		
OTG_HS_HPTXFSIZ	1128		
OTG_HS_HPTXSTS	1132		
OTG_HS_PCGCCTL	1171		
OTG_HS_TX0FSIZ	1126		
P			
PWR_CR	80		
PWR_CSR	81		
R			
RCC_AHB1ENR	111		
RCC_AHB1LPENR	118		
RCC_AHB1RSTR	103		
RCC_AHB2ENR	113		
RCC_AHB2LPENR	121		
RCC_AHB2RSTR	105		
RCC_AHB3ENR	114		
RCC_AHB3LPENR	121		
RCC_AHB3RSTR	106		
RCC_APB1ENR	114		
RCC_APB1LPENR	122		
RCC_APB1RSTR	106		
RCC_APB2ENR	117		
RCC_APB2LPENR	125		
RCC_APB2RSTR	109		
RCC_BDCR	126		
		S	
		SDIO_CLKCR	765
		SDIO_DCOUNT	771
		SDIO_DCTRL	770
		SDIO_DLEN	769
		SDIO_DTIMER	768
		SDIO_FIFO	777
		SDIO_FIFOCNT	777
		SDIO_ICR	773
		SDIO_MASK	774
		SDIO_POWER	764
		SDIO_RESPCMD	767
		SDIO_RESPx	768
		SDIO_STA	771
		SPI_CR1	715
		SPI_CR2	717
		SPI_CRCPR	719
		SPI_DR	719
		SPI_I2SCFGR	721
		SPI_I2SPR	722
		SPI_RXCR	720
		SPI_SR	718
		SPI_TXCR	720
		SYSCFG_EXTICR1	157
		SYSCFG_EXTICR2	158
		SYSCFG_EXTICR3	158
		SYSCFG_EXTICR4	159

SYSCFG_MEMRMP156

T

TIM2_OR 424
TIM5_OR 425
TIMx_ARR 420, 461, 471, 485
TIMx_BDTR 362
TIMx_CCER 356, 418, 460, 470
TIMx_CCMR1 351, 414, 457, 467
TIMx_CCMR2 354, 417
TIMx_CCR1 360, 421, 462, 472
TIMx_CCR2 361, 421, 462
TIMx_CCR3 361, 422
TIMx_CCR4 362, 422
TIMx_CNT 359, 420, 461, 471, 484
TIMx_CR1 342, 406, 450, 465, 481
TIMx_CR2 343, 407, 451, 483
TIMx_DCR 364, 423
TIMx_DIER 347, 411, 453, 466, 483
TIMx_DMAR 365, 423
TIMx_EGR 350, 413, 456, 467, 484
TIMx_PSC 359, 420, 461, 471, 485
TIMx_RCR 360
TIMx_SMCR 345, 408, 452
TIMx_SR 349, 412, 455, 466, 484

U

USART_BRR 663
USART_CR1 663
USART_CR2 666
USART_CR3 667
USART_DR 663
USART_GTPR 670
USART_SR 660

W

WWDG_CFR 497
WWDG_CR 496
WWDG_SR 497

IMPORTANT NOTICE – READ CAREFULLY

STMicroelectronics NV and its subsidiaries (“ST”) reserve the right to make changes, corrections, enhancements, modifications, and improvements to ST products and/or to this document at any time without notice. Purchasers should obtain the latest relevant information on ST products before placing orders. ST products are sold pursuant to ST’s terms and conditions of sale in place at the time of order acknowledgment.

Purchasers are solely responsible for the choice, selection, and use of ST products and ST assumes no liability for application assistance or the design of purchasers’ products.

No license, express or implied, to any intellectual property right is granted by ST herein.

Resale of ST products with provisions different from the information set forth herein shall void any warranty granted by ST for such product.

ST and the ST logo are trademarks of ST. For additional information about ST trademarks, refer to www.st.com/trademarks. All other product or service names are the property of their respective owners.

Information in this document supersedes and replaces information previously supplied in any prior versions of this document.

© 2025 STMicroelectronics – All rights reserved