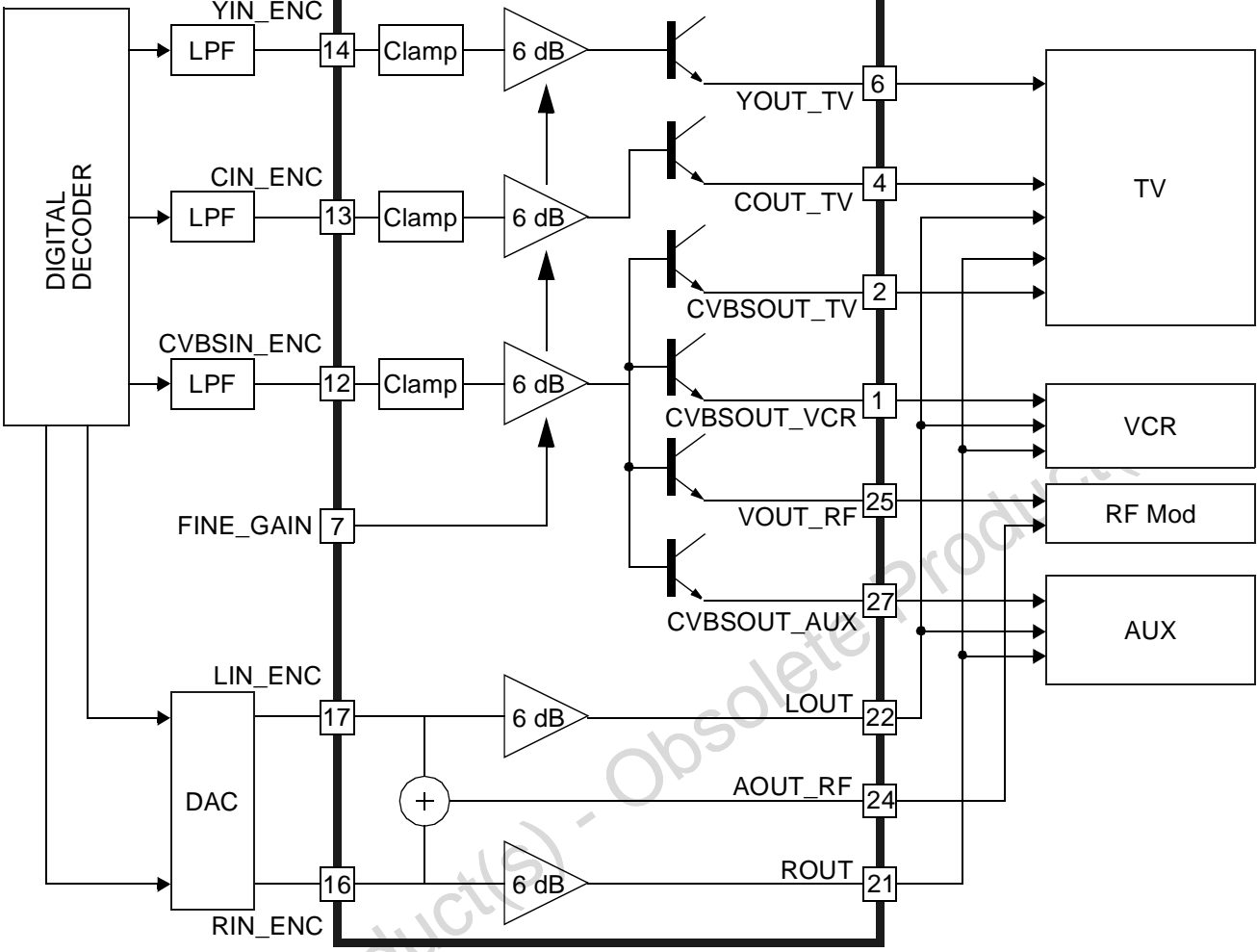


STV 6432

DIGITAL DECODER



YIN_ENC

LPF

14

Clamp

6 dB

YOUT_TV

6

CIN_ENC

LPF

13

Clamp

6 dB

COUT_TV

4

CVBSIN_ENC

LPF

12

Clamp

6 dB

CVBSOUT_TV

2

CVBSOUT_VCR

1

FINE_GAIN

7

VOUT_RF

25

CVBSOUT_AUX

27

LIN_ENC

DAC

17

6 dB

LOUT

22

+

AOUT_RF

24

RIN_ENC

DAC

16

6 dB

ROUT

21

TV

VCR

RF Mod

AUX