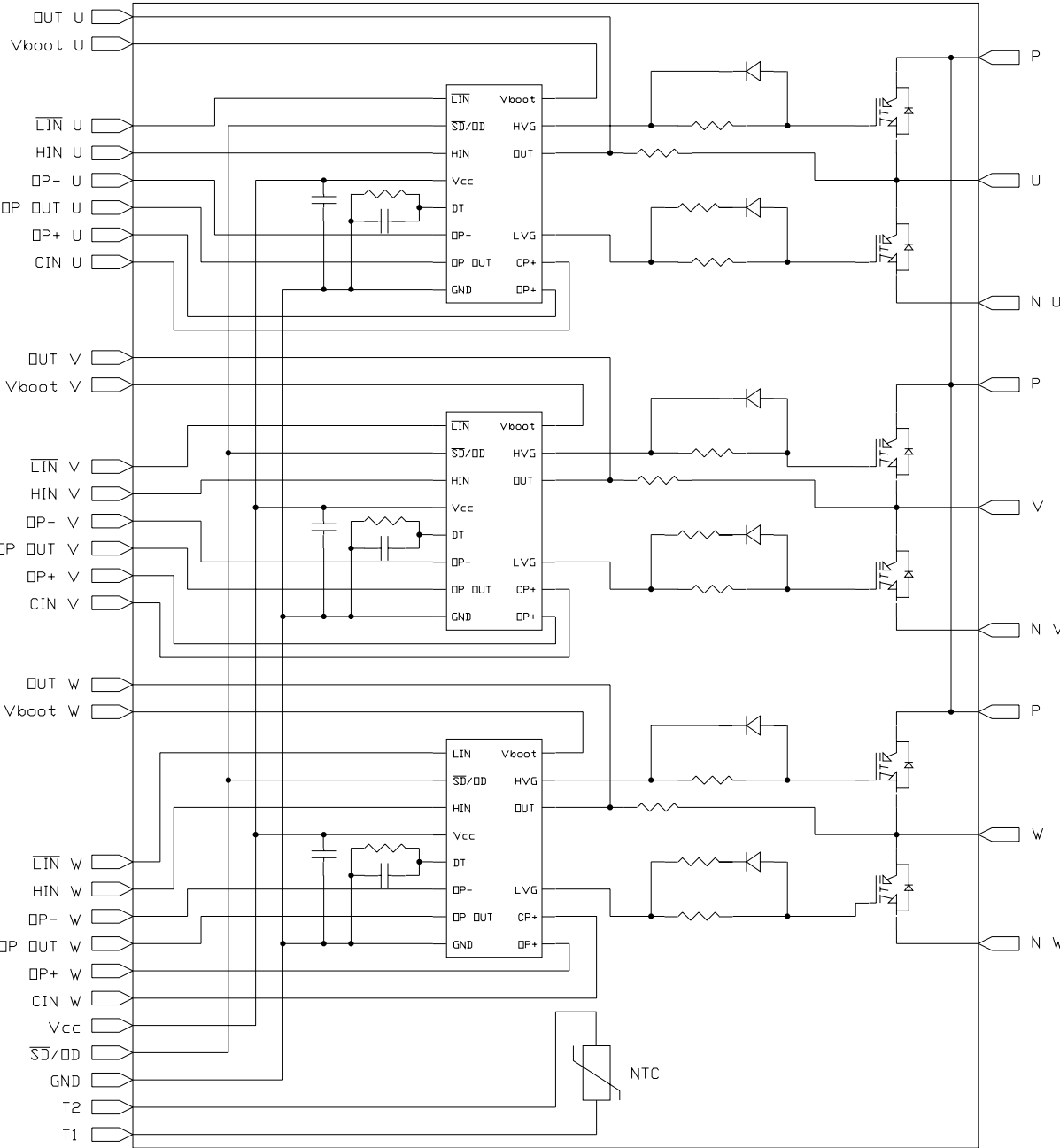


Pin 1

Pin 38



Pin 29

Pin 30