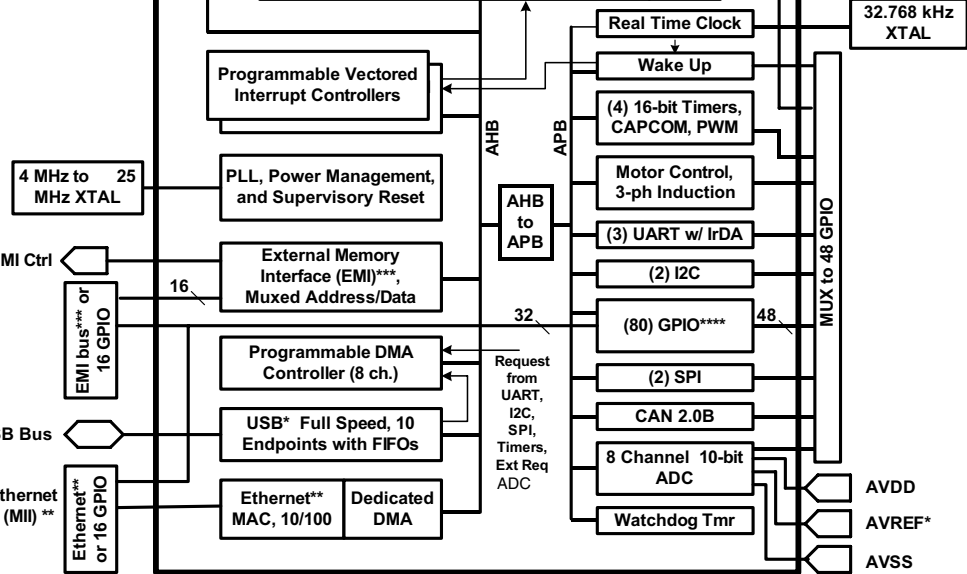
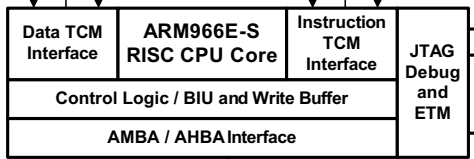
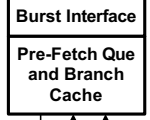
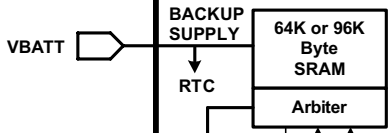
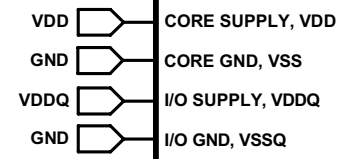
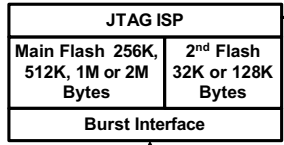


# STR91xA

## Stacked Burst Flash Memory Die



\* USB not available on STR910

\*\* Ethernet MAC not available on STR910 and STR911

\*\*\* EMI not available on LQFP80

\*\*\*\* Only 40 GPIOs on LQFP80