

# STM8 Nucleo open development platform



# STM8 Nucleo key assets

2

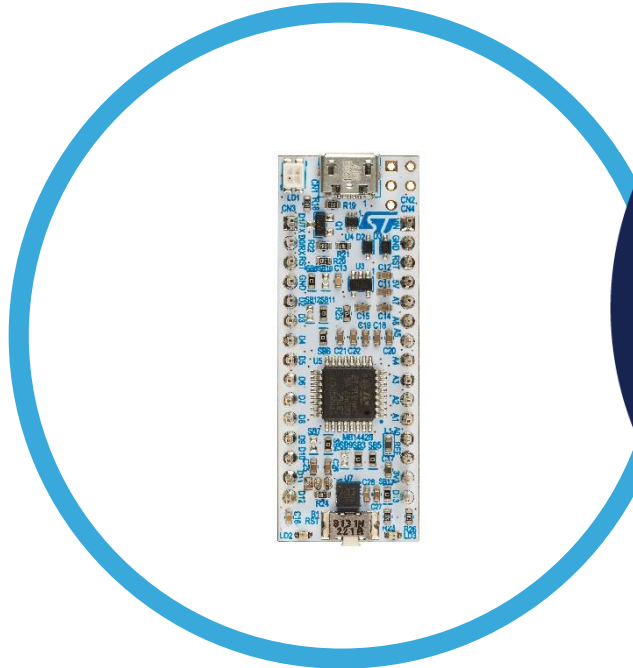


Flexible prototyping

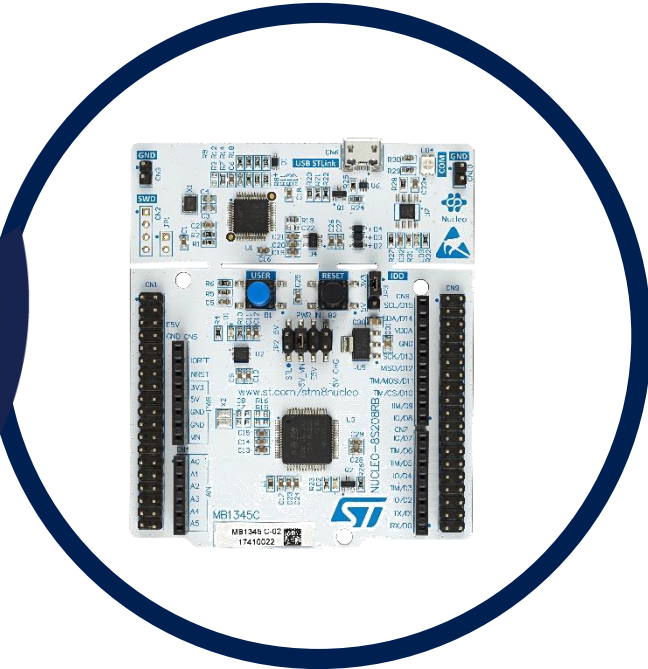
Unlimited expansion capabilities

Simply showcase the STM8 portfolio to the communities

...including two form factors



Nucleo-32  
32 pins

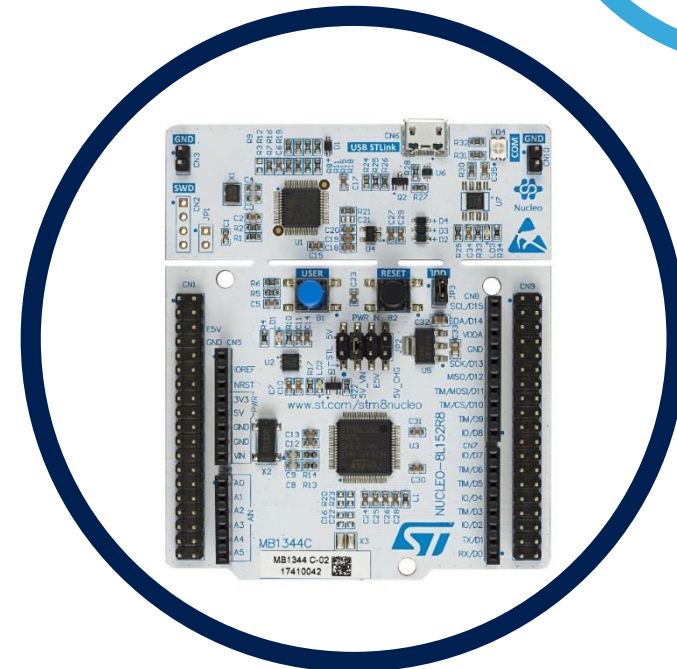
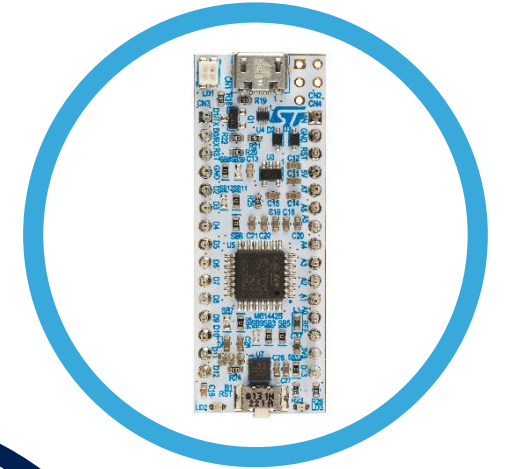


Nucleo-64  
64 pins



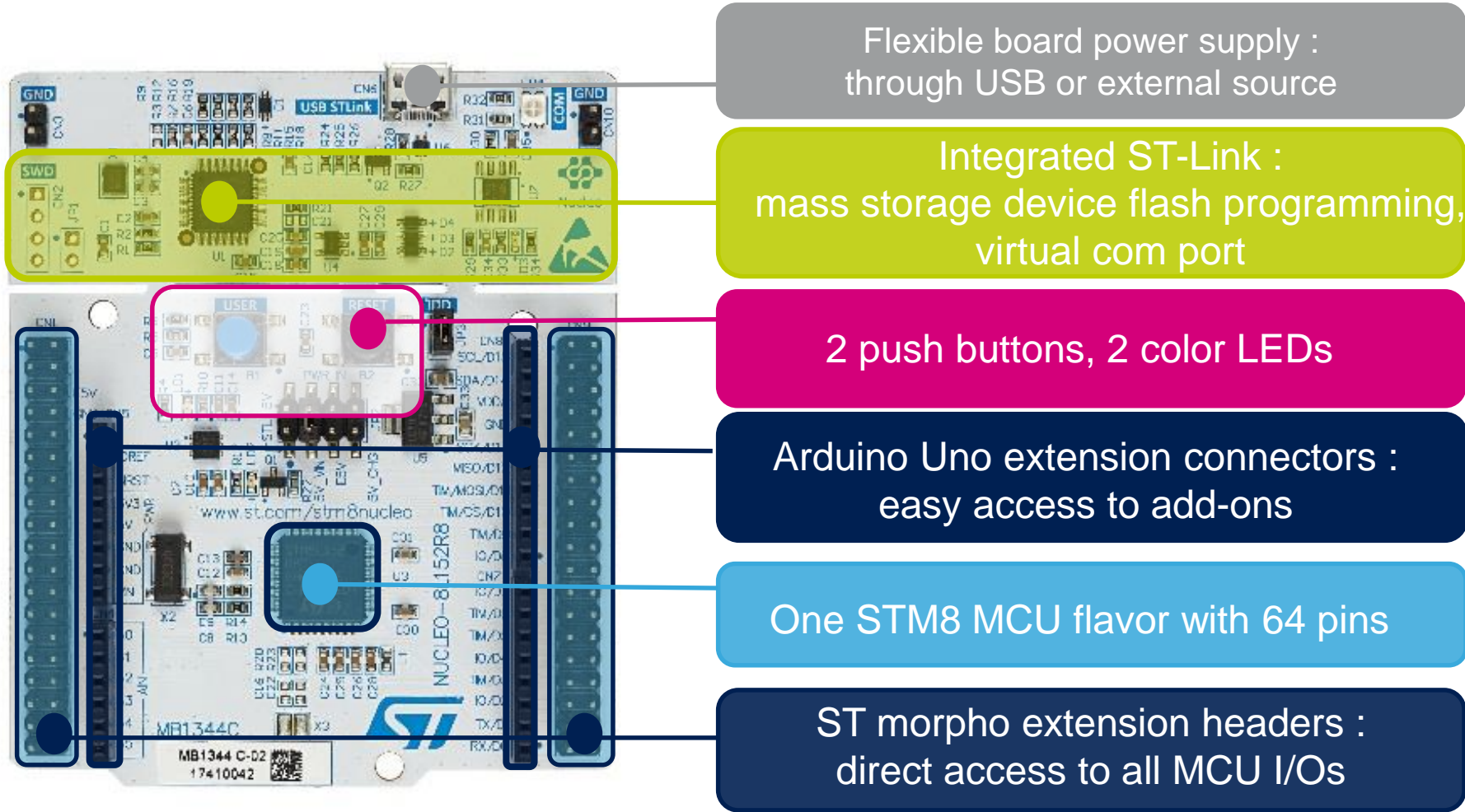
# ...Make creation more fluid

- Flexible prototyping.
  - Affordable STM8 boards sharing the same association scheme (headers+connectors).
  - Reduction of financial risks through easy HW/SW tuning.
- Unlimited extension capability.
  - Benefit from open hardware initiatives.
  - Instant access to a large ecosystem of peripheral shields (Arduino).
- Simply showcase the STM8 portfolio to dev communities.
  - Extension shields are compatible with Nucleo boards.
  - Free access to Arduino online IDE

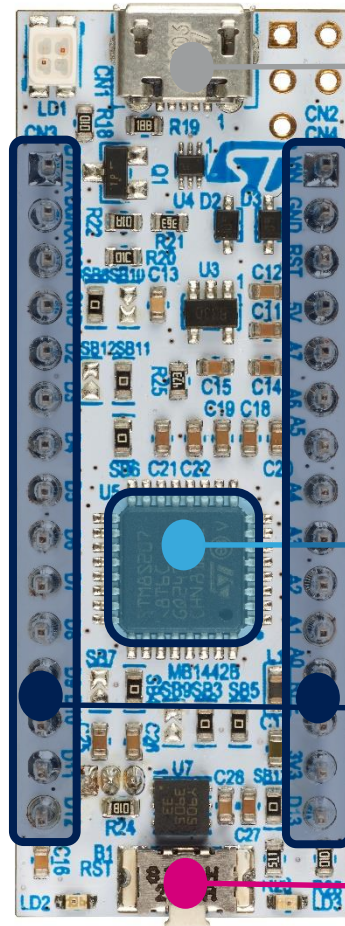




# STM8 Nucleo-64 features



# STM8 Nucleo-32 features



Flexible board power supply :  
through USB or external source

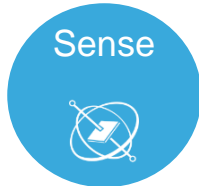
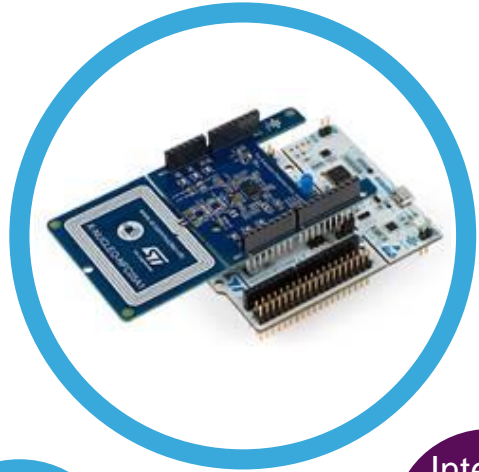
Integrated ST-LINK/V2-1:  
drag & drop device flash programming

One STM8 MCU flavor with 32 pins

Arduino Nano extension connectors :  
easy access to add-ons

Push button, 2 color Leds

# Association with expansion boards



Specialized functionality add-on

Smooth integration with STM8  
Standard software library

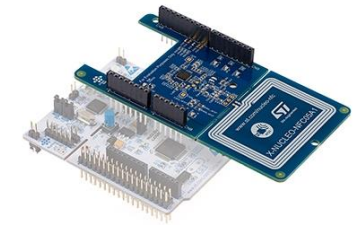
Multiple IDE support

Simply scalable : No limit to possibilities



# STM8 Nucleo SW & IDEs

- Software solutions for Nucleo boards include :
  - Comprehensive STM8 standard software library SPL.
  - Pre-loaded « Blinky LED» demo with color LED.
  - Various application notes / demo examples to be used with an expansion shield : [NFC reader](#), [image viewer](#)...



- STM8 Nucleo boards work with several IDEs including :



IDEA



EWSTM8



STVD



IDE plug-ins

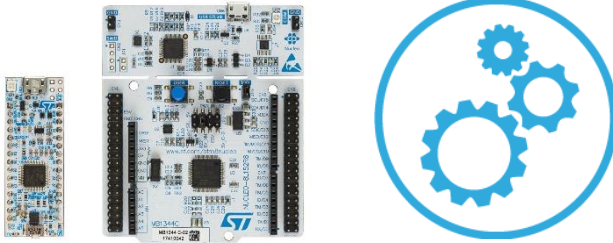
Free IDE





# Nucleo open development platform

## Hardware Tools



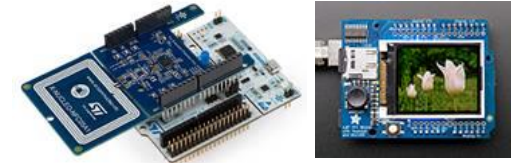
STM8 Nucleo  
development boards

## Software Tools



STM8 Standard  
software library

## Expansion Tools



Nucleo expansion boards  
(or Nucleo shields)

STM8 expansion SW

Multi-IDE support



Unified HW & SW abstraction across all STM8 series



# Support for Arduino community

10

Arduino sketches (SW libraries)  
ported on STM8 Standard Peripheral Libraries  
with Cosmic compiler

visit GitHub page : [Arduino Core STM8](#)

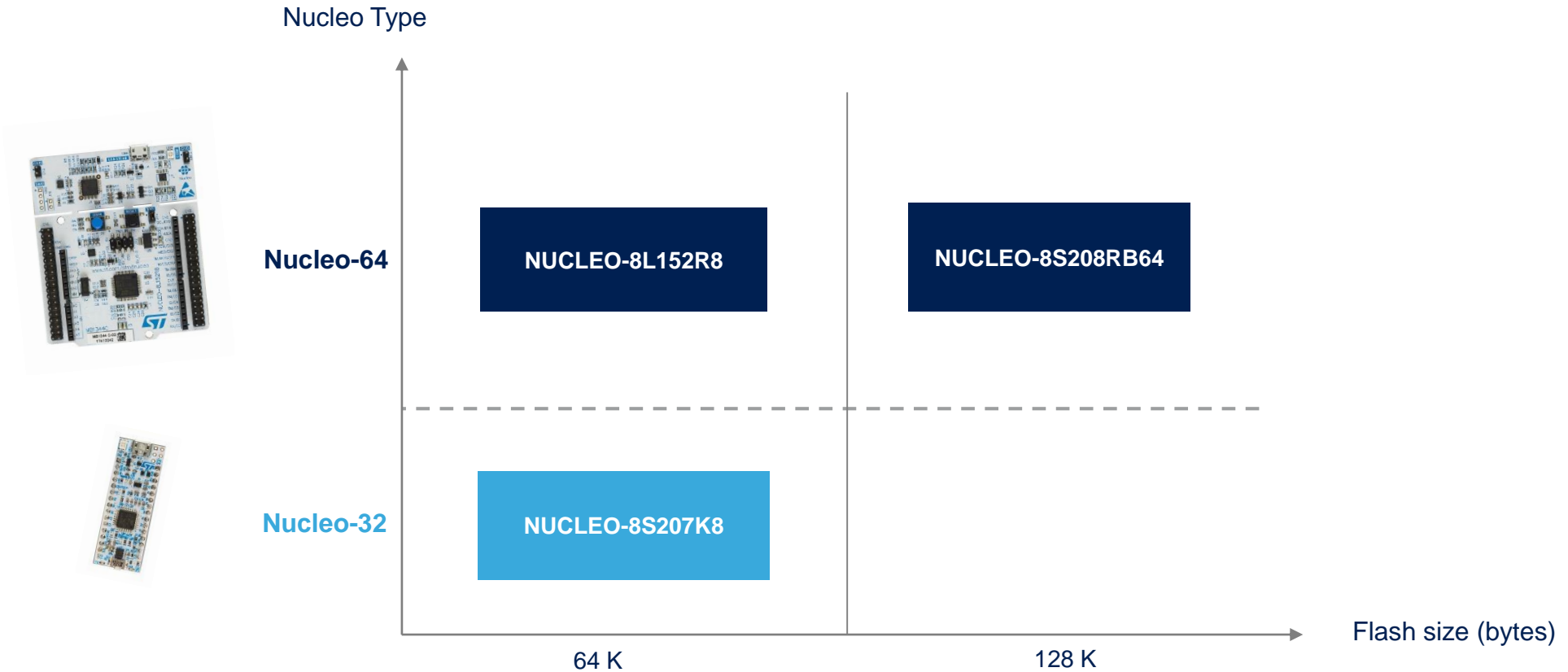


New plug-in for Arduino IDE  
ready to support STM8 Nucleo boards

get plug-in : [Arduino BoardManagerFile for STM8](#)



# STM8 Nucleo portfolio



Nucleo showcases the whole family of STM8 microcontrollers

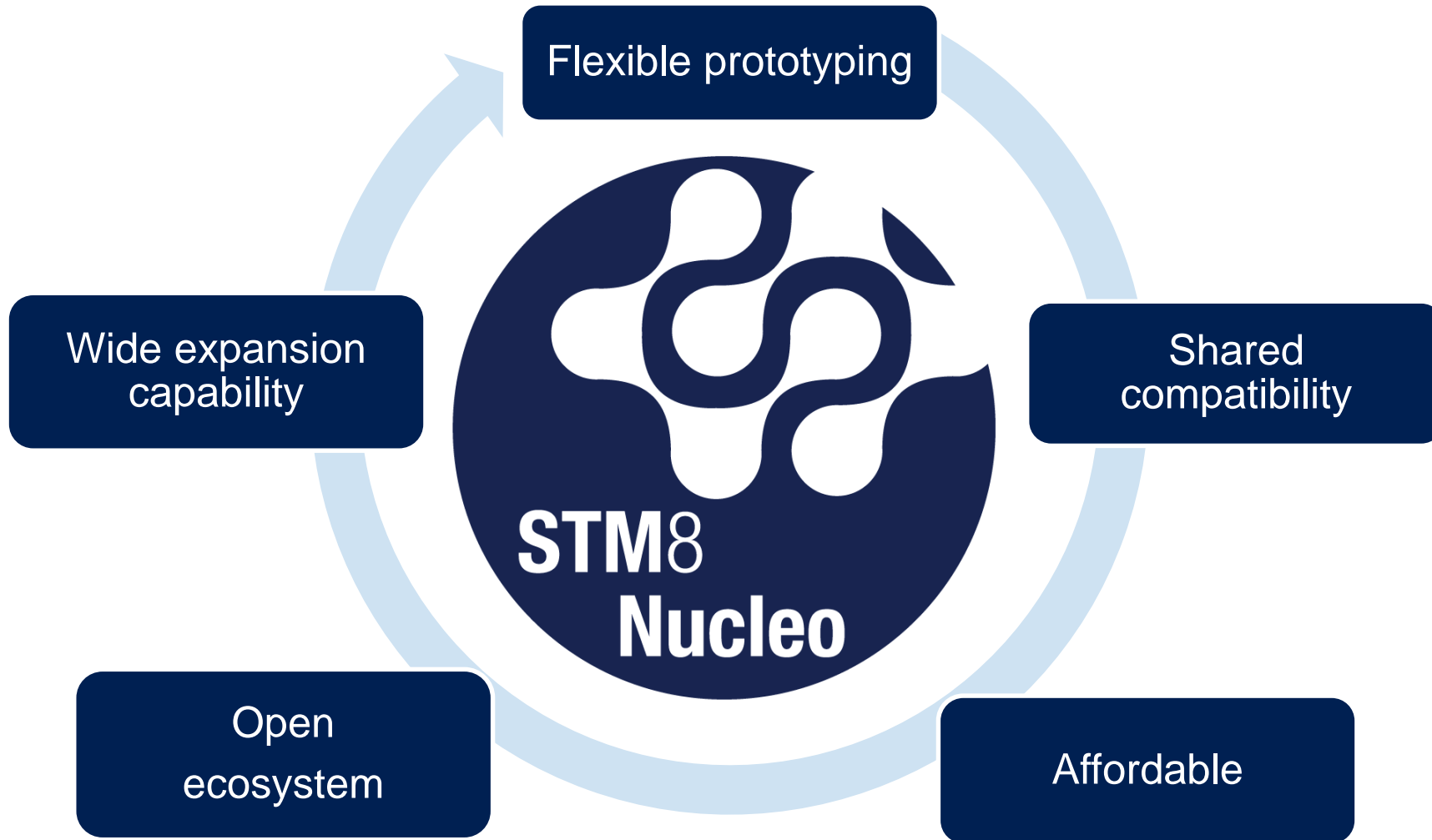


# Board references

Part number	Nucleo Type	STM8 MCU reference	Price
NUCLEO-8S207K8	32-pin	STM8S207K8T6	10.32\$ 8.8€
NUCLEO-8S208RB	64-pin	STM8S208RBT6	10.32\$ 8.8€
NUCLEO-8L152R8		STM8L152R8T6	10.32\$ 8.8€

Now available for ordering

# STM8 Nucleo value proposition





 [/STM32](https://www.facebook.com/STM32)

 [@ST\\_World](https://twitter.com/@ST_World)

 [community.st.com](https://community.st.com)

[www.st.com/stm8](http://www.st.com/stm8)