

DisplayPort

Next-generation digital A/V interface



An overview of DisplayPort



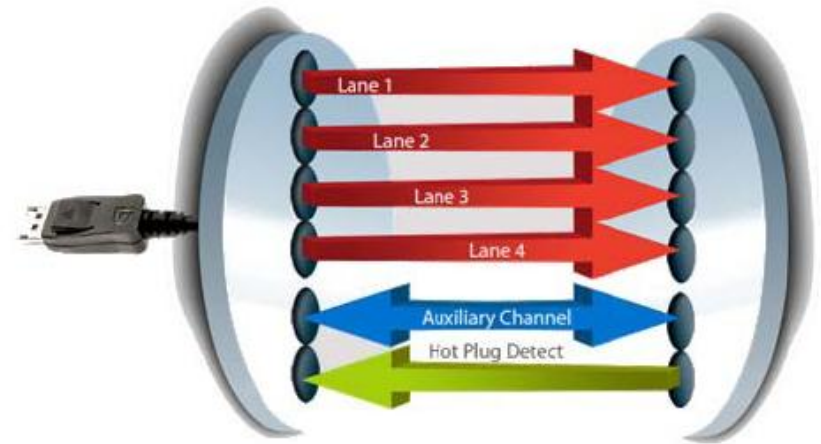
- Next-generation display interface technology
- ST has developed a comprehensive line of DisplayPort-enabled solutions, including LCD monitor controllers and VGA-to-DisplayPort converters



A revolutionary new architecture



- Energy-efficient scalable micro-packet architecture over 1, 2 or 4 lanes
- Up to 10.8 Gbps (v1.1a) and 21.6 Gbps (v1.2) data transfer rate
- Auxiliary channel for bidirectional communication
- Powered connectors can provide up to 1.5 W



DisplayPort for home and work



For home

- Single, light cable for an easy, discreet TV and monitor connections
- For HD TVs and ultra-thin monitors
- Powered connectors support portable projection equipment



For work

- An ideal interface for CAD, CAM or 3D modelling
- Supports cables up to 15m (50ft) long
- Simple converters for VGA/DVI monitors



DisplayPort for gaming and image quality



For gaming

- An ideal interface for CAD, CAM or 3D modeling
- Supports cables up to 15m (50ft) long
- Simple converters for VGA/DVI monitors



For image quality

- Enables billions of colors, ultra-fast refresh rate and extraordinary color depth
- Designed with Blu-ray and advanced 3D in mind



DisplayPort: robust and secure



Robust

- Low magnetic interference for a strong clear signal in the most demanding environments



Secure

- HDCP encryption



DisplayPort goes everywhere






- DisplayPort goes where the bulky VGA cable could never have dreamed!
- Different flavors of DisplayPort serve for on-board communications, replacing LVDS lines in televisions or computer motherboards



Know your DisplayPort logos



	<ul style="list-style-type: none">■ High performance standard for true digital picture■ Delivers highest performance with fastest refresh rates and greatest color depth available
	<ul style="list-style-type: none">■ Used to recognize a DP connection
	<ul style="list-style-type: none">■ Indicates that the product is capable of working with both DVI and /or DisplayPort technology



ST – your DisplayPort partner



- One of the key players on the VESA committee
- Frontrunner in DisplayPort deployment and evolution
- Advanced roadmap with 4th-generation TX and RX IPs already started
- Our portfolio:
 - Multiport analog and digital LCD monitor controllers
 - Analog TV controllers
 - DisplayPort receivers/transmitters, including the first iDP transmitter/receiver chipset
 - DisplayPort-to-VGA converters

