

Solutions for NFC / RFID Tags and Readers



ST25
Simply
More Connected



A New Solution for Analog Control

ST25 NFC for parameter setting: a step ahead

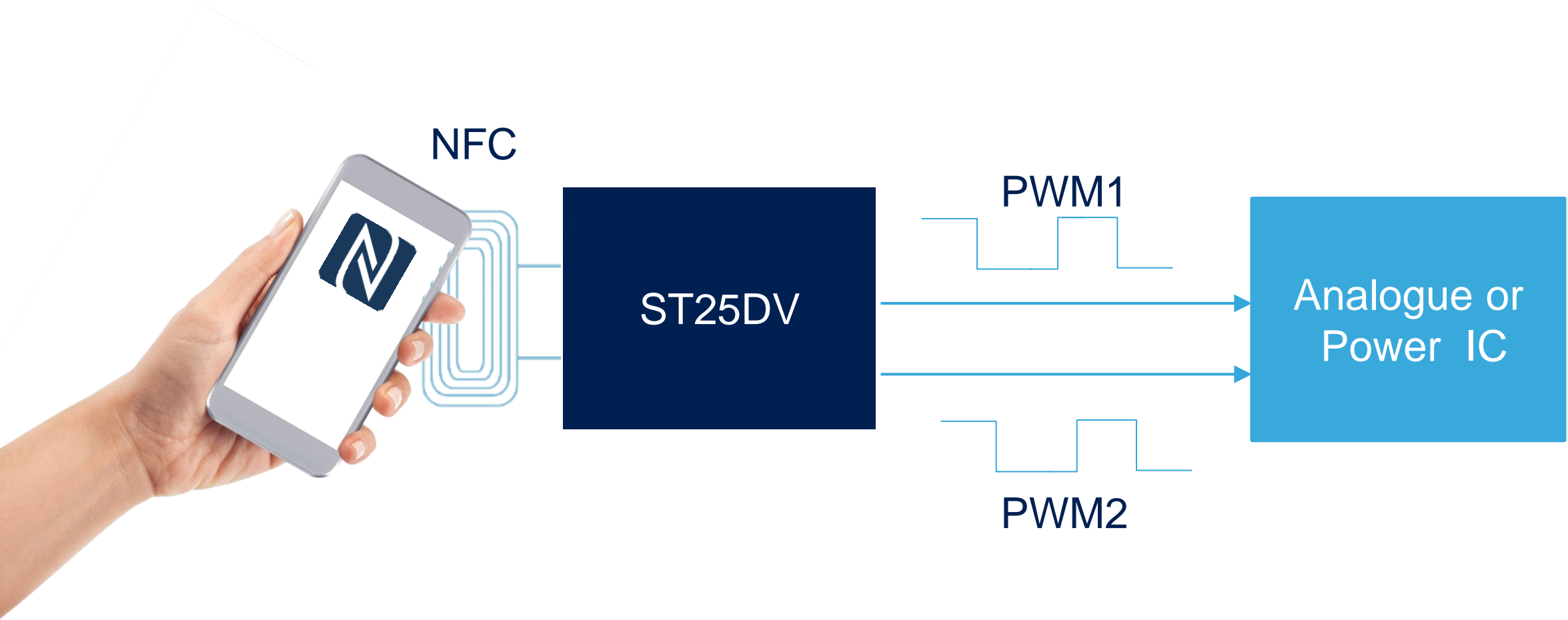
NFC functionality and control in one chip

- Up to 2 PWM signal
- Extended Temperature range



ISO15693 RFID / NFC Type V
Longer reading distance, smaller antennas

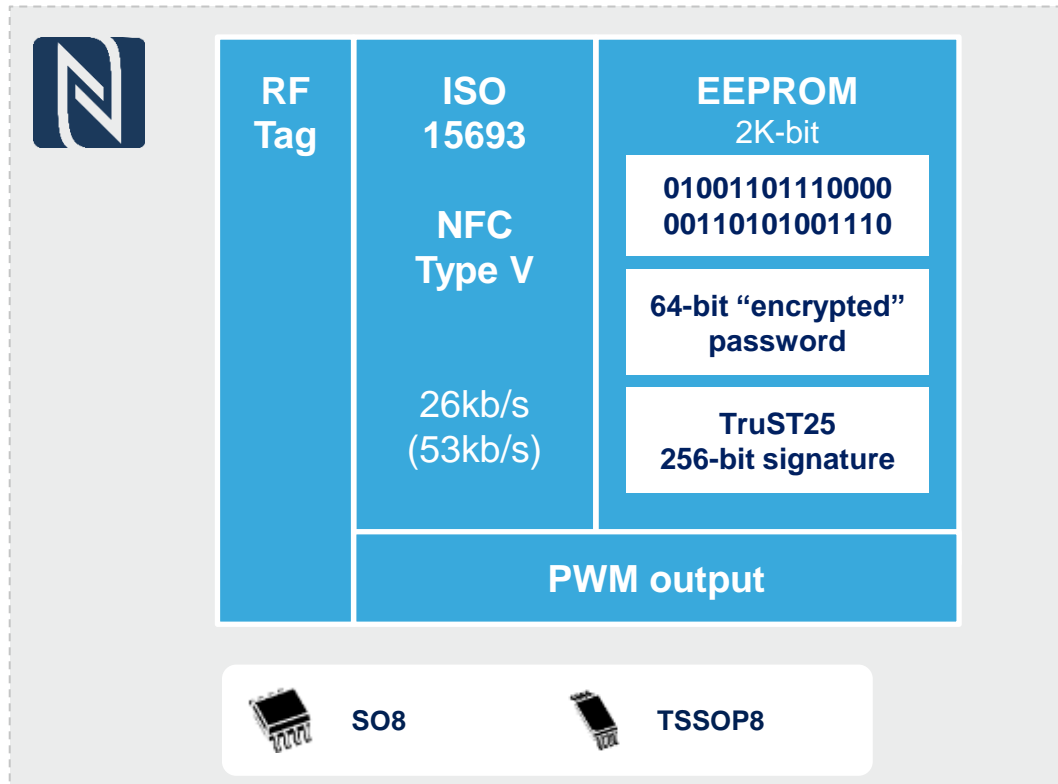
ST25DV-W Principle





ST25DV-W Dynamic NFC Tag

Control Via Duty Cycle



ISO15693 and NFC Type V

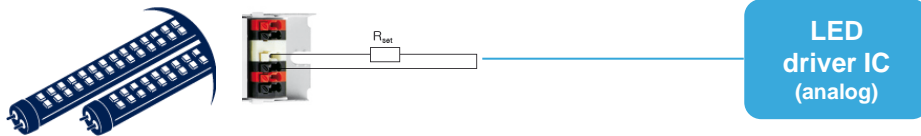
Up to 2 PWM signal

62.5ns resolution step

Release Your Creativity

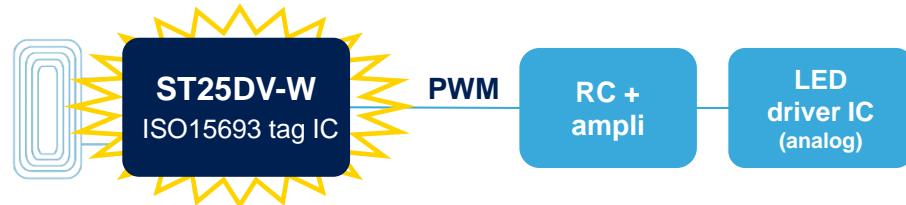
Wherever a setting is required for analog gearing

From manual



Ideal for lighting: light level setting (dimming)

To contactless



Cost effective solution



Relevant for many applications:
voltage setting (power supply), small motor
control (duty cycle),...