



---

**L99PM62GXP external voltage regulation  
with bipolar transistor**

---

**Introduction**

The following application note describes the L99PM62GXP external schematic and relevant characteristics for operating an external voltage regulation for driving a load up to 200 mA.

The first paragraph contains the detailed schematic description. The second paragraph contains exhaustive static so that dynamic evaluations and demonstrates the regulation stability in case of  $V_S$  and/or current load variations.

# Contents

- 1 Voltage regulation circuit schematics . . . . . 5**
  - 1.1 Regulation with external PNP without current limitation . . . . . 5
  - 1.2 Regulation with external NPN without current limitation . . . . . 6
  - 1.3 Voltage regulation and current limitation with external PNP . . . . . 7
  - 1.4 Voltage regulation and current limitation with external NPN . . . . . 8
  
- 2 Evaluations of circuit with PNP and current limitation . . . . . 9**
  - 2.1 Static characteristics . . . . . 9
    - 2.1.1 Standby current . . . . . 9
    - 2.1.2 Line regulation 6-18 V . . . . . 10
    - 2.1.3 Load regulation up to 250 mA . . . . . 11
  - 2.2 Dynamical characteristics . . . . . 13
    - 2.2.1  $V_3$  switching ON / OFF . . . . . 13
    - 2.2.2 Load switch ON/OFF . . . . . 14
    - 2.2.3 Influence of  $C_i$  and  $C_1$  on the  $V_3$  switch and load variation response . . 14
    - 2.2.4  $V_S$  cranking measurement . . . . . 20
  
- Appendix A Reference document . . . . . 22**
  
- Revision history . . . . . 23**

## List of tables

Table 1.	$V_3$ to $V_S$ dependence .....	10
Table 2.	$V_3$ to $I_3$ dependence for $V_S = 6, 12, 18$ V .....	11
Table 3.	Capacitors combinations .....	15
Table 4.	Document revision history .....	23

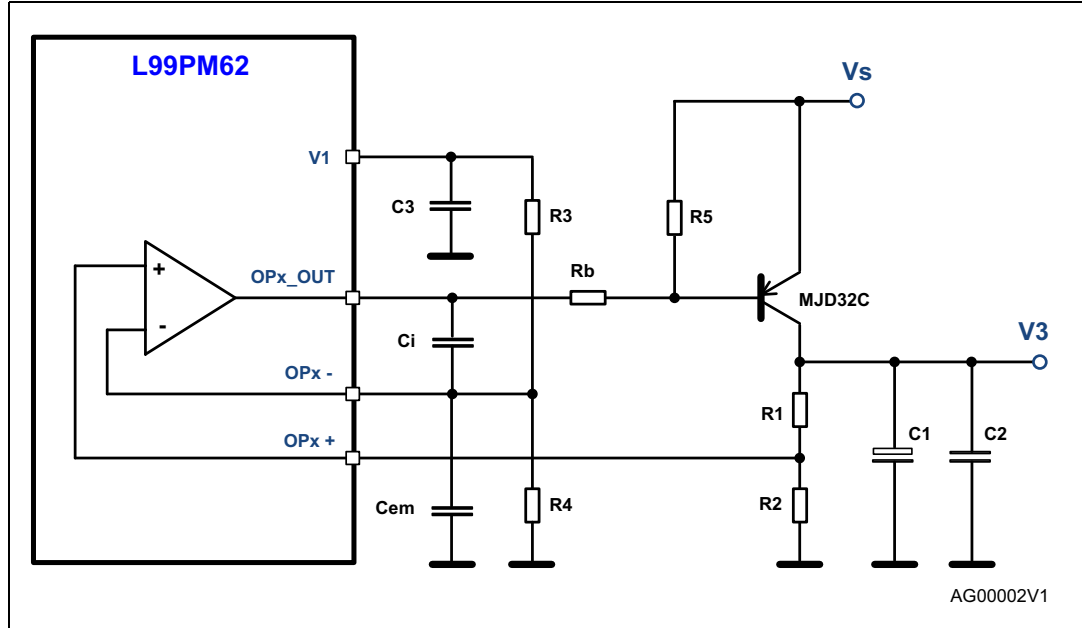
## List of figures

Figure 1.	Voltage regulation with external PNP	5
Figure 2.	Voltage regulation with external NPN	6
Figure 3.	Voltage regulation and current limitation with external PNP	7
Figure 4.	Voltage regulation and current limitation with external NPN	8
Figure 5.	Removing residual current by turning L99PM62GXP in standby mode	9
Figure 6.	$V_3$ to $V_S$ dependence	11
Figure 7.	$V_3$ to $I_3$ dependence	12
Figure 8.	Screenshot of load regulation (from 0 to 220 mA - current limitation)	12
Figure 9.	$V_3$ switch ON / OFF ( $I_3 = 0$ mA)	13
Figure 10.	$V_3$ switch ON /OFF ( $I_3 = 200$ mA)	13
Figure 11.	$V_3$ switch ON /OFF to shortcut	14
Figure 12.	Load switching	14
Figure 13.	Combination n°1 - $I_3 = 0$ ; $I_3 = 200$ mA	15
Figure 14.	Combination n°1 - $C_i = 0$ ; $C_1 = 0$ ; load switch ON	15
Figure 15.	Combination n°2 - $I_3 = 0$ ; $C_i = 1$ nF; $C_1 = 0$	16
Figure 16.	Combination n°2 - $I_3 = 200$ mA; $C_i = 1$ nF; $C_1 = 0$	16
Figure 17.	Combination n°2 - $C_i = 1$ nF; $C_1 = 0$ ; load switch ON/OFF	16
Figure 18.	Combination n°3 - $I_3 = 0$ ; $C_i = 10$ nF; $C_1 = 0$	17
Figure 19.	Combination n°3 - $I_3 = 200$ mA; $C_i = 10$ nF; $C_1 = 0$	17
Figure 20.	Combination n°3 - $C_i = 10$ nF; $C_1 = 0$ ; load switch ON/OFF	17
Figure 21.	Combination n°5 - $I_3 = 0$ ; $C_i = 1$ nF; $C_1 = 10$ $\mu$ F	18
Figure 22.	Combination n°5 - $I_3 = 200$ mA; $C_i = 1$ nF; $C_1 = 10$ $\mu$ F	18
Figure 23.	Combination n°5 - $C_i = 1$ nF; $C_1 = 10$ $\mu$ F; load switch ON/OFF	18
Figure 24.	Combination n°6 - $I_3 = 0$ ; $C_i = 10$ nF; $C_1 = 10$ $\mu$ F	19
Figure 25.	Combination n°6 - $I_3 = 200$ mA; $C_i = 10$ nF; $C_1 = 10$ $\mu$ F	19
Figure 26.	Combination n°6 - $C_i = 10$ nF; $C_1 = 10$ $\mu$ F; load switch ON/OFF	19
Figure 27.	$V_S$ cranking (1 ms pulse)	20
Figure 28.	$V_S$ cranking (pulse 2 ms)	20
Figure 29.	$V_S$ cranking (pulse 5 ms)	21

# 1 Voltage regulation circuit schematics

## 1.1 Regulation with external PNP without current limitation

Figure 1. Voltage regulation with external PNP



The [Figure 1](#) is an example of recommended circuit for voltage regulation with external transistor. As a reference voltage source was used 5V1 voltage regulator of L99PM62GXP.

Parameters of circuit at [Figure 1](#) are:

- Output voltage = 5.0 V
- Output current from 0 to approx. 1 A (no limitation), for  $V_S$  +-12 V
- $V_S$  operation range from 5.5 to 18 V; for output current up to 200 mA the theoretical minimum operational range is from 5.2 V. ( $V_S$  is the voltage after reverse polarity protection).

The output voltage is possible set by change of R1 and R2 value. In case of  $R_3 = R_4$  the  $U_3$  is possible express from equation:

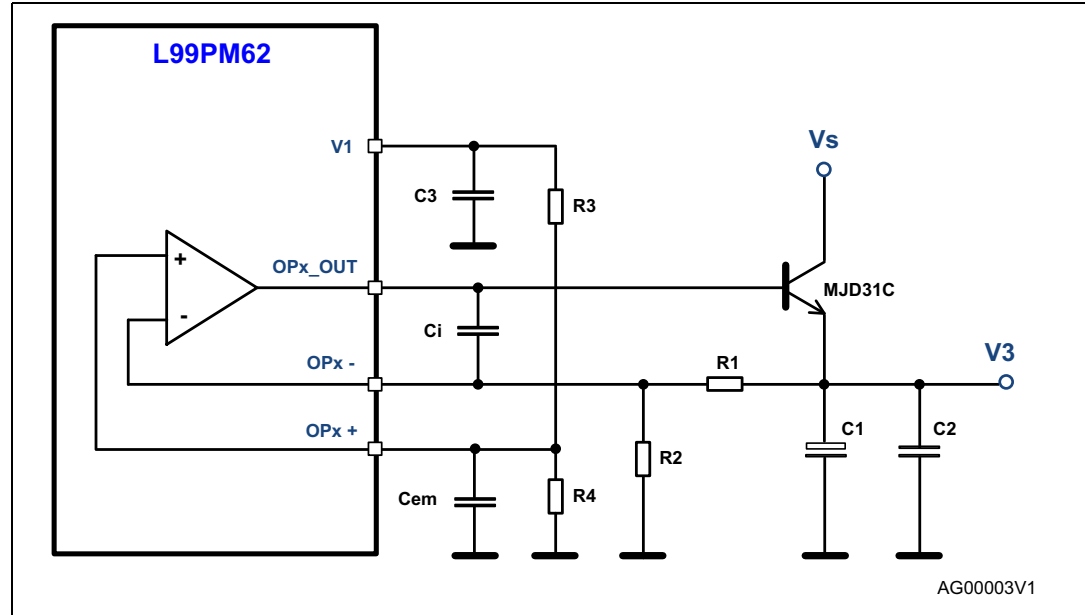
$$U_3 = U_{5V1} \times \frac{R_4}{R_3 + R_4} + \frac{R_1 + R_2}{R_2} [V]$$

Important requirement is to ensure the voltage on OP\_- and OP\_+ inputs is bellow 3 V.

## 1.2 Regulation with external NPN without current limitation

The [Figure 2](#) is the modified circuit of external voltage regulation circuit with external NPN transistor.

**Figure 2. Voltage regulation with external NPN**



The advantage of this circuit is fewer amounts of external components. However this is balanced by lower  $V_S$  operation range in comparison to PNP regulation circuit.

Parameters of circuit at [Figure 2](#) are:

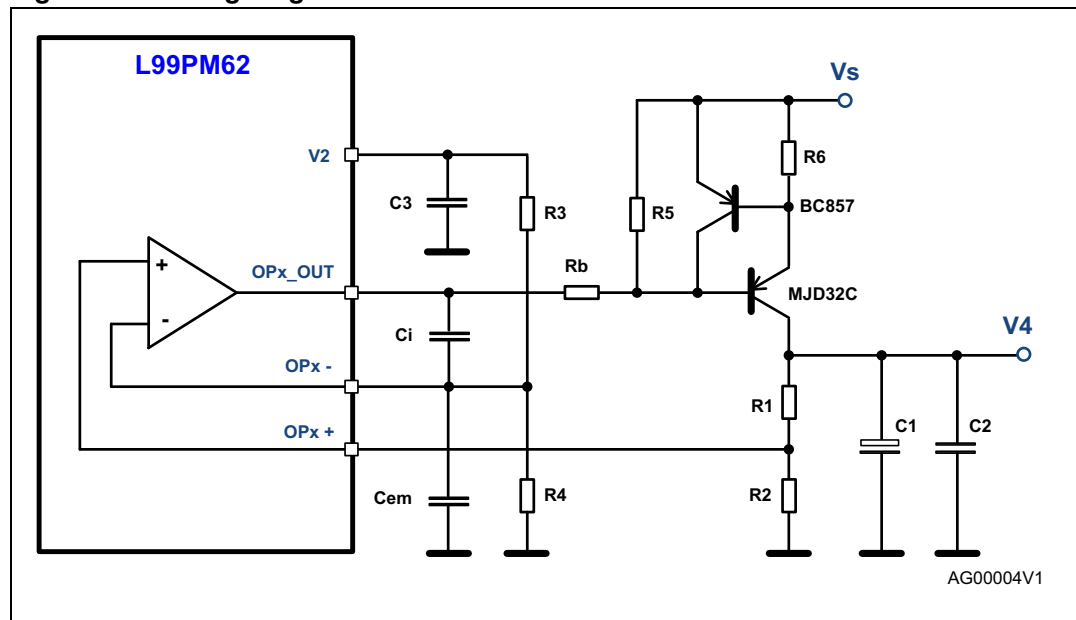
- Output voltage = 5.0 V
- Output current from 0 to 1 A – (no limitation)
- $V_S$  operation range from 6 to 18 V ( $V_S$  is the voltage after reverse polarity protection)

As in previous case the output voltage is possible set by change of R1 and R2 value. In case of  $R_3 = R_4$  the  $U_3$  is possible express from equation:

$$U_3 = U_{5V1} \times \frac{R_4}{R_3 + R_4} \times \frac{R_1 + R_2}{R_2} [V]$$

### 1.3 Voltage regulation and current limitation with external PNP

Figure 3. Voltage regulation and current limitation with external PNP



This circuit is a light modification of circuit from [Figure 1](#), extended for current limitation. Transistor T2 (BC857) together with resistor R6 limits output current, which is possible adjust be change or R6 value. The voltage drop at R6 for maximum current should be about 0,65 V.

Parameters of circuit form [Figure 3](#) are following:

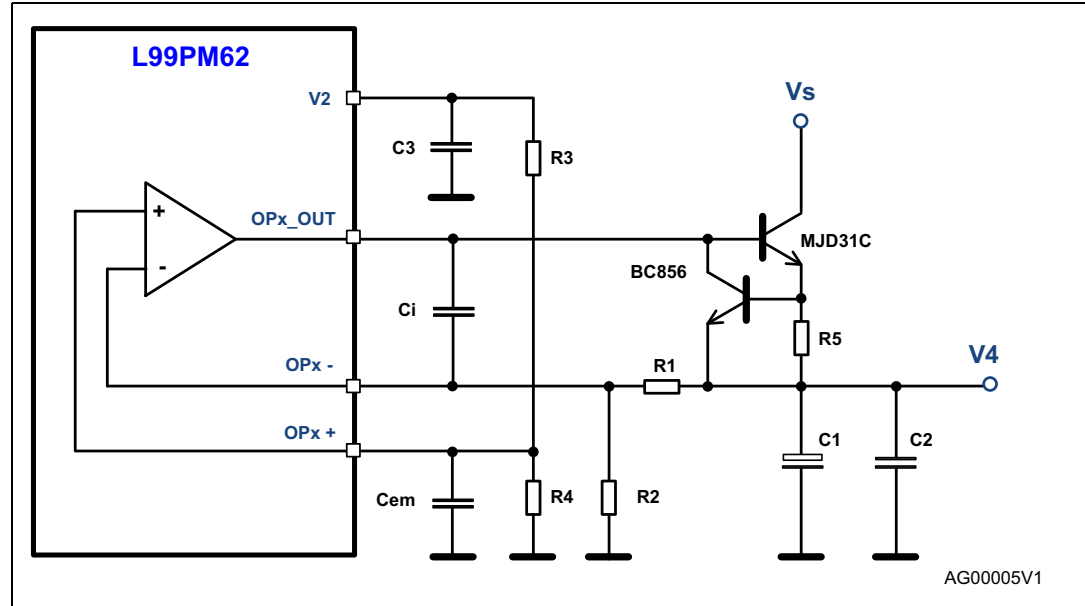
- Output voltage = 5 V
- Output current limited at 200 mA
- $V_S$  operation range 5.8 V to 18 V (28 V absolute maximum ratings)

The output voltage is possible adjust like in original schematics by change or R1 and R2 resistors without impact to current limitation. For sure the  $V_S$  operational range (low limit) corresponds to selected output voltage.

## 1.4 Voltage regulation and current limitation with external NPN

The [Figure 4](#) is the slightly modified circuit from [Figure 1](#) for voltage regulation with current limitation using external NPN.

**Figure 4. Voltage regulation and current limitation with external NPN**



This circuit is a modification of circuit from [Figure 2](#) extended with the current limitation feature provided by resistor R5 and transistor T2 (BC856). The output voltage is possible adjust like in original schematics by change or R1 and R2 resistors without impact on the current limitation. For sure the  $V_S$  operational range (low limit) corresponds to selected output voltage.

Parameters of circuit from [Figure 4](#) are following:

- Output voltage = 5 V
- Output current limited at 200 mA
- $V_S$  operation range 6.5 V to 18 V (28 V absolute maximum ratings)



## 2 Evaluations of circuit with PNP and current limitation

### 2.1 Static characteristics

#### 2.1.1 Standby current

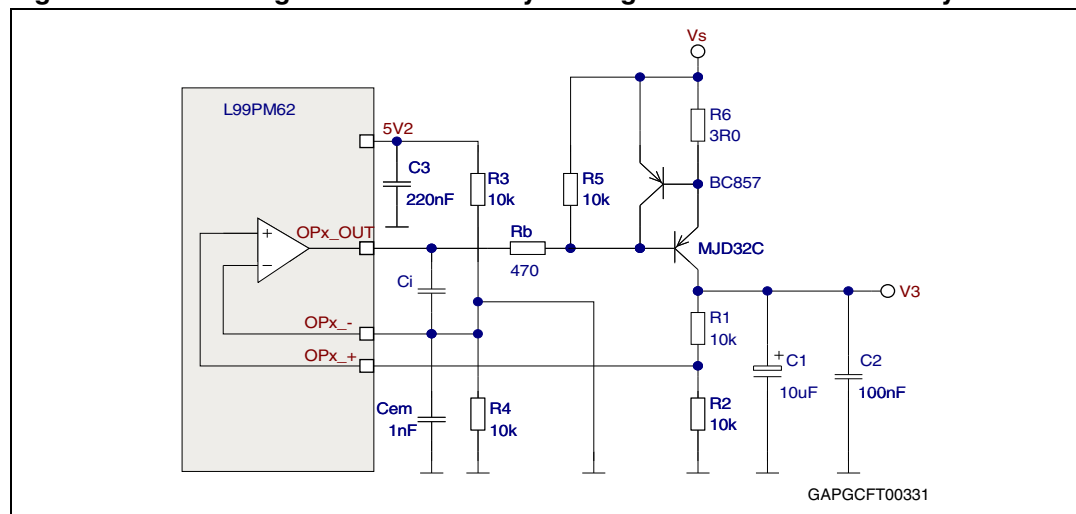
The  $V_S$  current in OFF state was evaluated for the most recommended circuit of voltage regulation and current limitation with external PNP transistor (see [Figure 1](#)).

The 5V2 voltage regulator was switched OFF by SPI in Active Mode Configuration. There was observed a small current from  $V_3$  output caused by residual voltage of 5V2 voltage regulator.

- $V_S = 12\text{ V}$
- $I_{V_S} = 0.279\text{ mA}$
- $I_{op\_out} = 0.052\text{ mA}$
- $I_3 = 0.22\text{ mA}$
- $R_1, R_2, R_3, R_4, R_5 = 10\text{ K}$

This current will be significantly decreased by switching the device in V1stby Mode which turns OFF the operational amplifier (see [Figure 5](#)).

**Figure 5. Removing residual current by turning L99PM62GXP in standby mode**



#### Conclusion

A residual current can be observed in the load in case the reference voltage 5V2 is turned OFF and L99PM62GXP is maintained on active more.

By turning L99PM62GXP in any standby mode (V1stby or Vbatstby), this residual current will be removed.

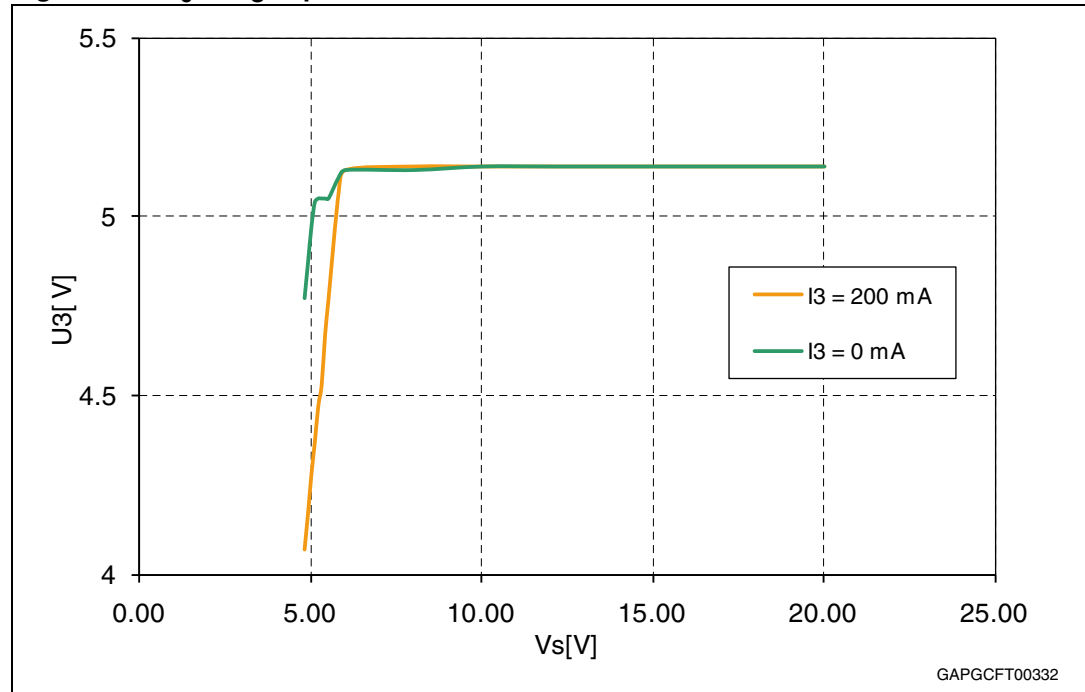
## 2.1.2 Line regulation 6-18 V

Influence of  $V_S$  variation on the  $V_3$  voltage regulation

- $V_S$  range from 4.8 to 18 V
- $I_3$  current from 0 to 200 mA
- $R_1, R_2, R_3, R_4, R_5 = 10\text{ K}$
- $V_2$  (measured) = 5.15 V
- Temperature = 25 °C ambient

**Table 1.  $V_3$  to  $V_S$  dependence**

$V_S$ [V]	$V_3$ [V] ( $I_3 = 0\text{ mA}$ )	$V_3$ [V] ( $I_3 = 200\text{ mA}$ )
4,80	4,77	4,07
4,90	4,87	4,17
5,00	4,97	4,28
5,10	5,04	4,37
5,20	5,05	4,47
5,30	5,05	4,53
5,40	5,05	4,67
5,50	5,05	4,77
5,80	5,11	5,07
6,00	5,13	5,13
8,00	5,13	5,14
10,00	5,14	5,14
12,00	5,14	5,14
14,00	5,14	5,14
16,00	5,14	5,14
18,00	5,14	5,14
20,00	5,14	5,14

Figure 6.  $V_3$  to  $V_S$  dependence

### 2.1.3 Load regulation up to 250 mA

Influence of  $I_3$  output current on  $V_3$  voltage regulation

- $V_S = 6, 12, 18V$
- $R_1, R_2, R_3, R_4, R_5 = 10 K$
- $I_3$  range = from 0 to 250 mA (with current limitation on 220 mA)
- Temperature = 25 °C ambient

Table 2.  $V_3$  to  $I_3$  dependence for  $V_S = 6, 12, 18 V$ 

$I_3$ [mA]	$V_3$ [V] ( $V_S = 6 V$ )	$V_3$ [V] ( $V_S = 12 V$ )	$V_3$ [V] ( $V_S = 18V$ )
0	5,13	5,14	5,14
10	5,13	5,14	5,14
20	5,13	5,14	5,14
50	5,13	5,14	5,14
100	5,13	5,14	5,14
200	5,13	5,13	5,14
210	5,13	5,13	5,14
215	5,13	5,13	5,14
217	4,95	5,13	5,14
218	0,07	5,13	5,14
222		0,07	0,07

Figure 7.  $V_3$  to  $I_3$  dependence

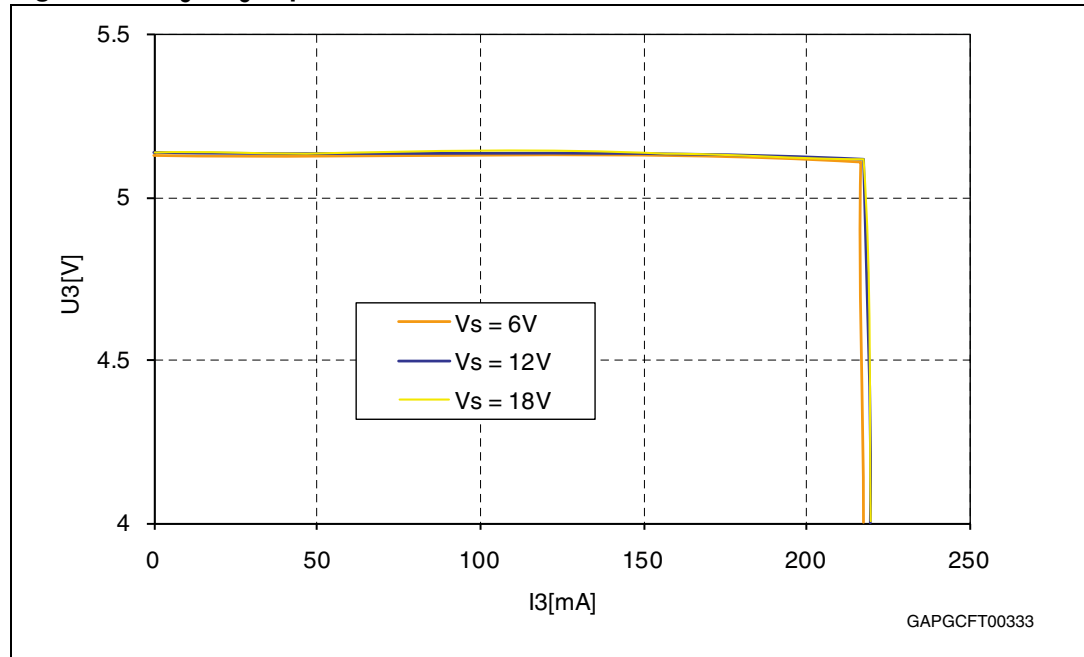
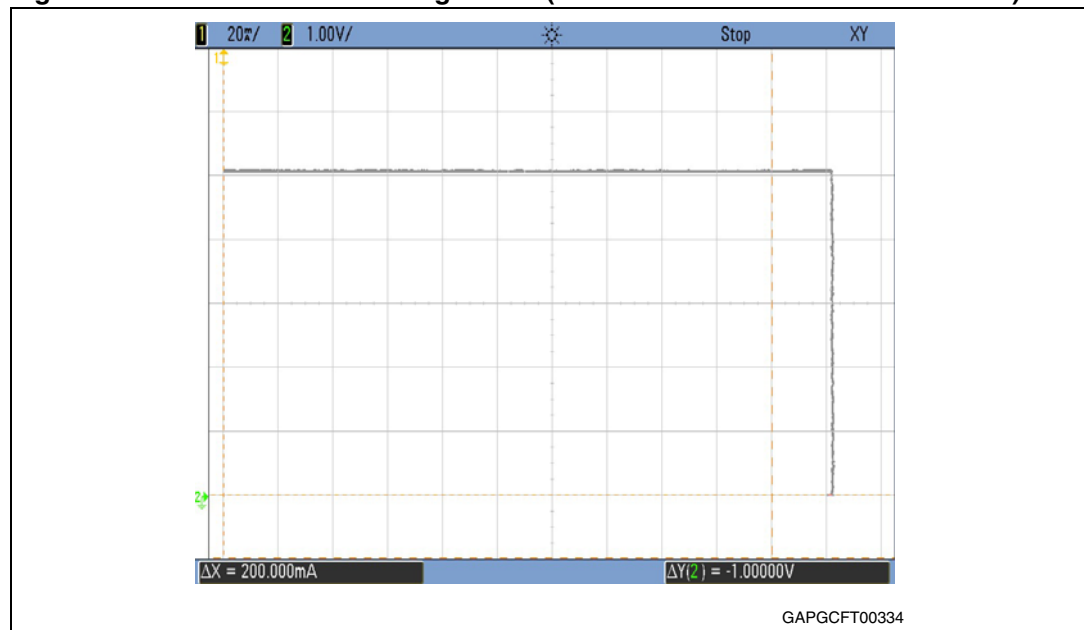


Figure 8. Screenshot of load regulation (from 0 to 220 mA - current limitation)



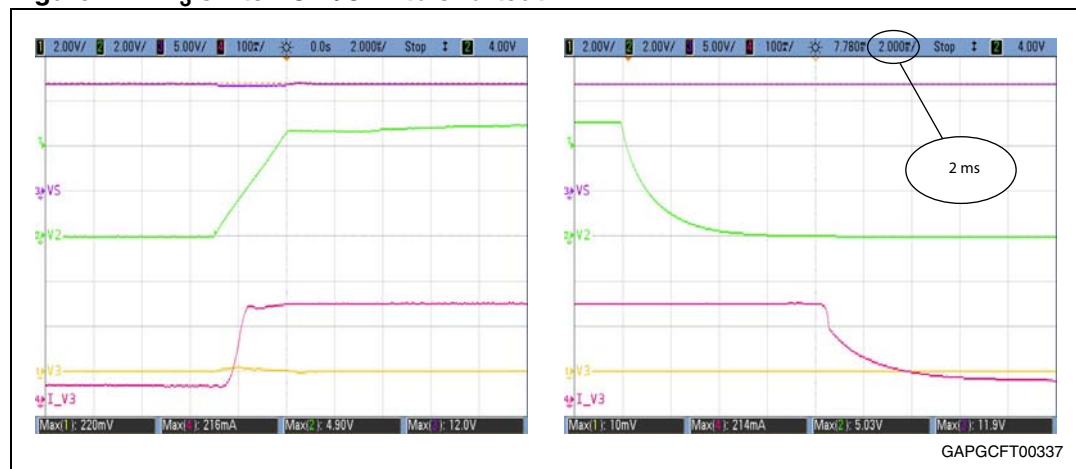
## 2.2 Dynamical characteristics

### 2.2.1 $V_3$ switching ON / OFF

The  $V_3$  voltage regulator switching ON / OFF by turning ON / OFF reference - the 5V2 voltage regulator. All measurements were done for circuit from [Figure 4: Voltage regulation](#)



Figure 11. V<sub>3</sub> switch ON/OFF to shortcut

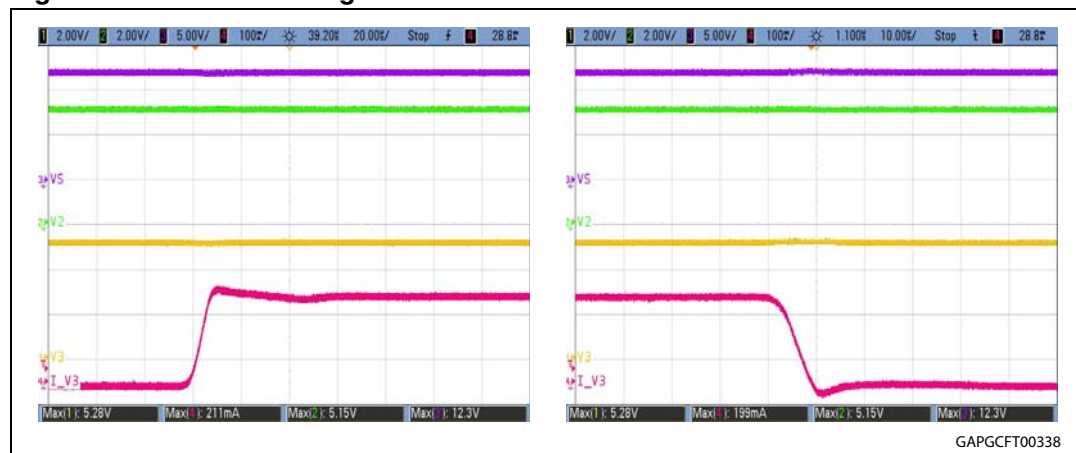


### 2.2.2 Load switch ON/OFF

Measurements were done for circuit from [Figure 4](#). As load an electronically controlled load was used with following preset parameters:

- R<sub>1</sub>, R<sub>2</sub>, R<sub>3</sub>, R<sub>4</sub>, R<sub>5</sub> = 10 K
- Device type = Chroma 63103
- Mode = constant current low
- Current = 200 mA
- Slope = 250 mA/μs (falling and rising)

Figure 12. Load switching



### 2.2.3 Influence of C<sub>i</sub> and C<sub>1</sub> on the V<sub>3</sub> switch and load variation response

For the circuit from [Figure 4](#) the influence of capacitors C<sub>i</sub> and C<sub>1</sub> to the regulator switching ON/OFF response for V<sub>3</sub> output open load and 25 Ω load (200 mA @ 5 V) were tested.

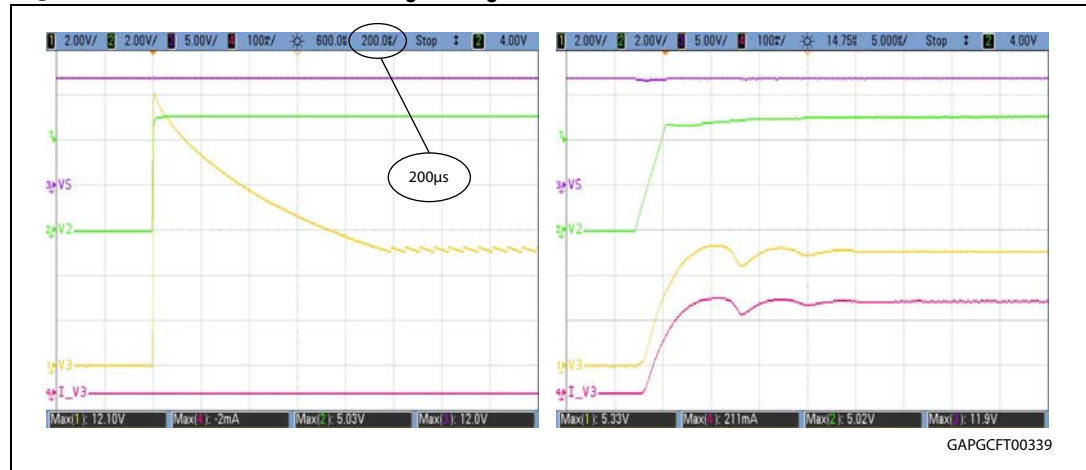
The influence to the load regulation by switching ON / OFF load of 200 mA (electronic controlled load was used for these tests) were also tested.

The capacitors influence was tested on following combinations C<sub>i</sub> and C<sub>1</sub>:

**Table 3. Capacitors combinations**

Combination	C <sub>i</sub> [nF]	C <sub>1</sub> [μF]
1	0	0
2	1n	0
3	10n	0
4 - default	0	10M
5	1n	10M
6	10n	10M

**Figure 13. Combination n°1 - I<sub>3</sub> = 0; I<sub>3</sub> = 200 mA**



**Figure 14. Combination n°1 - C<sub>i</sub> = 0; C<sub>1</sub> = 0; load switch ON**



Figure 15. Combination n°2 -  $I_3 = 0$ ;  $C_i = 1$  nF;  $C_1 = 0$

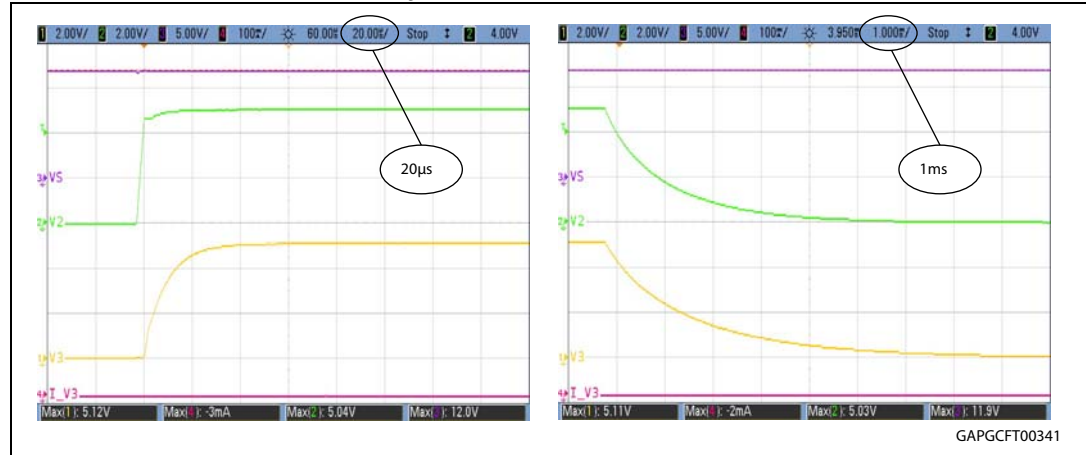


Figure 16. Combination n°2 -  $I_3 = 200$  mA;  $C_i = 1$  nF;  $C_1 = 0$

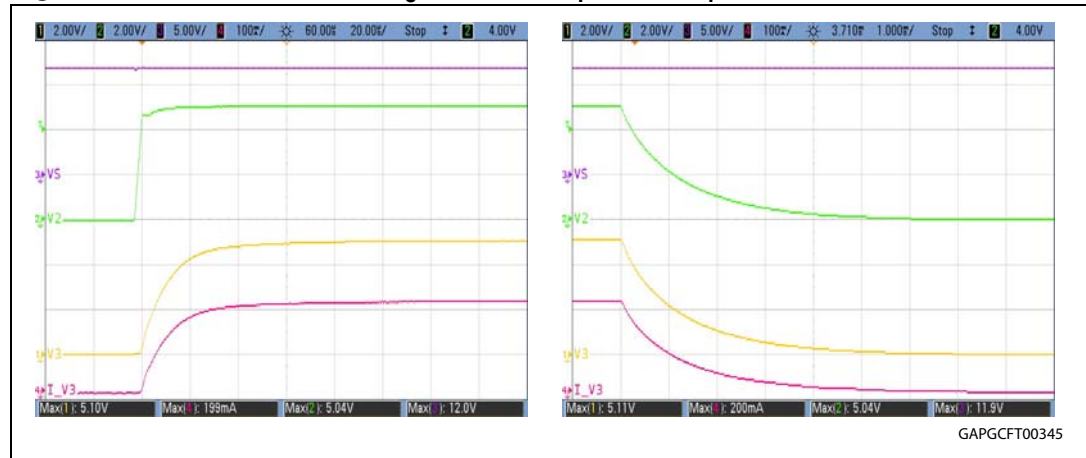


Figure 17. Combination n°2 -  $C_i = 1$  nF;  $C_1 = 0$ ; load switch ON/OFF

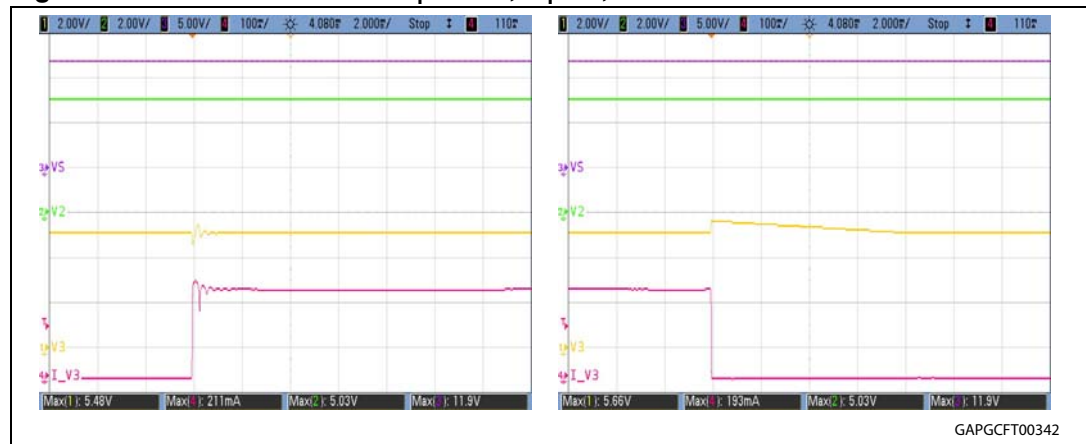




Figure 18. Combination n°3 -  $I_3 = 0$ ;  $C_i = 10$  nF;  $C_1 = 0$



Figure 19. Combination n°3 -  $I_3 = 200$  mA;  $C_i = 10$  nF;  $C_1 = 0$

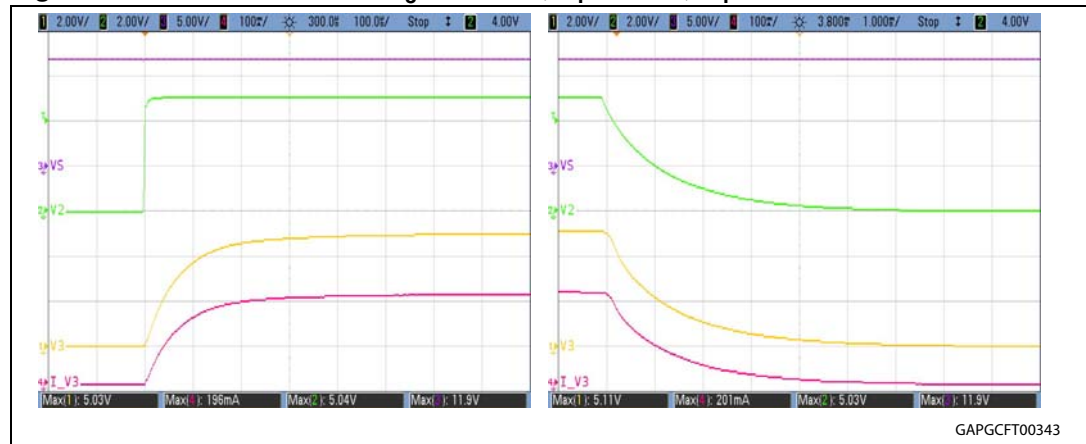


Figure 20. Combination n°3 -  $C_i = 10$  nF;  $C_1 = 0$ ; load switch ON/OFF

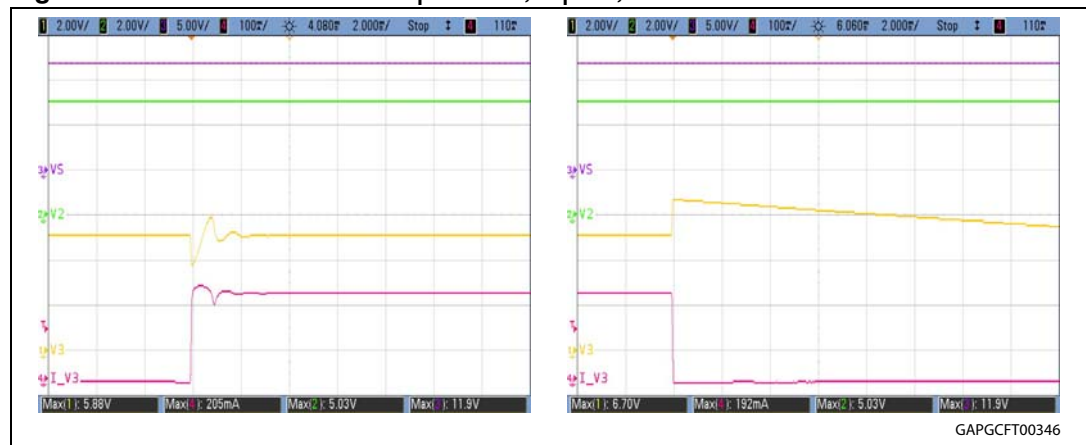


Figure 21. Combination n°5 -  $I_3 = 0$ ;  $C_i = 1$  nF;  $C_1 = 10$   $\mu$ F

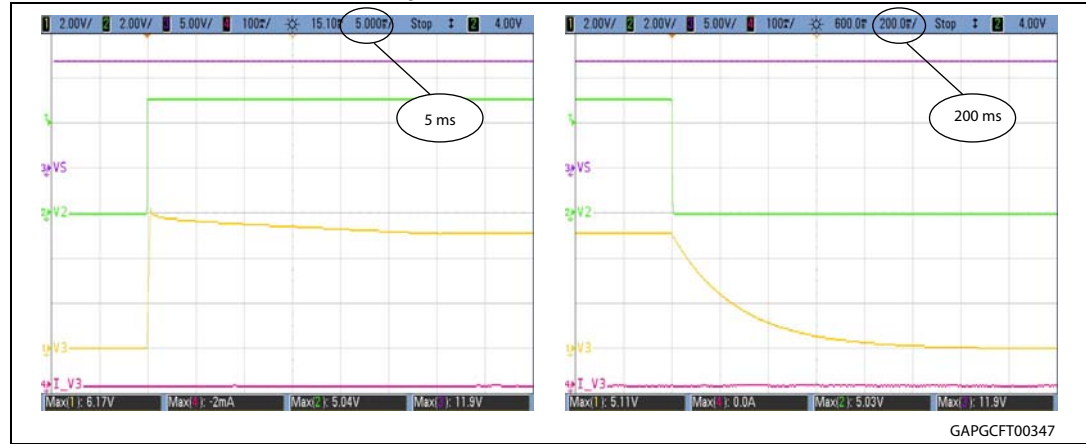


Figure 22. Combination n°5 -  $I_3 = 200$  mA;  $C_i = 1$  nF;  $C_1 = 10$   $\mu$ F

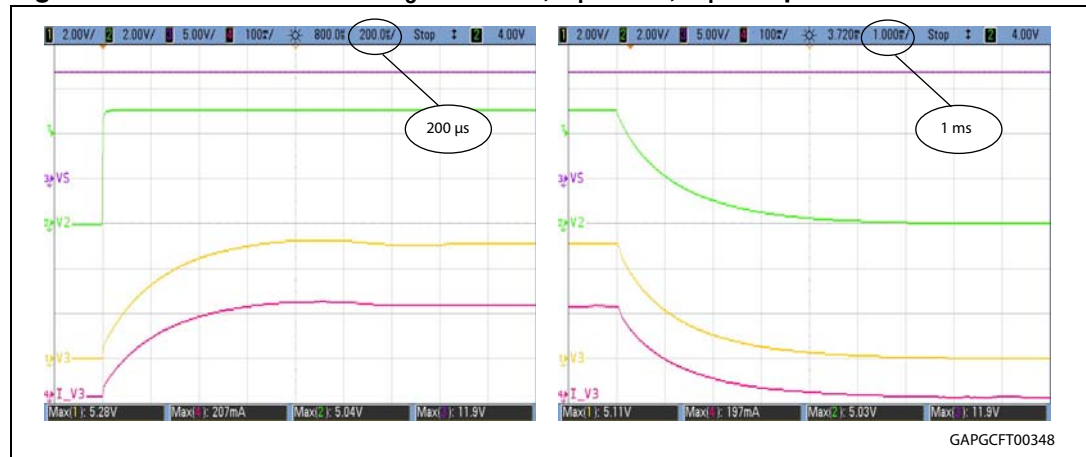


Figure 23. Combination n°5 -  $C_i = 1$  nF;  $C_1 = 10$   $\mu$ F; load switch ON/OFF

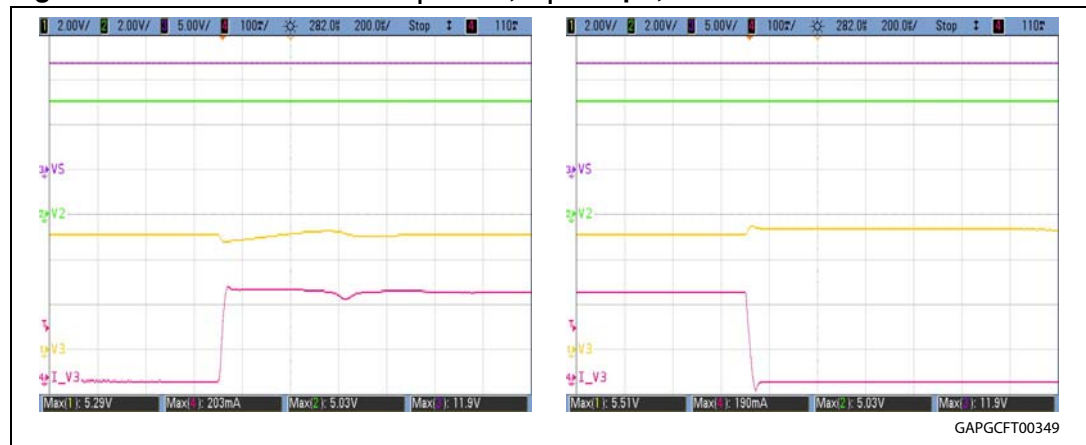


Figure 24. Combination n°6 -  $I_3 = 0$ ;  $C_i = 10$  nF;  $C_1 = 10$   $\mu$ F

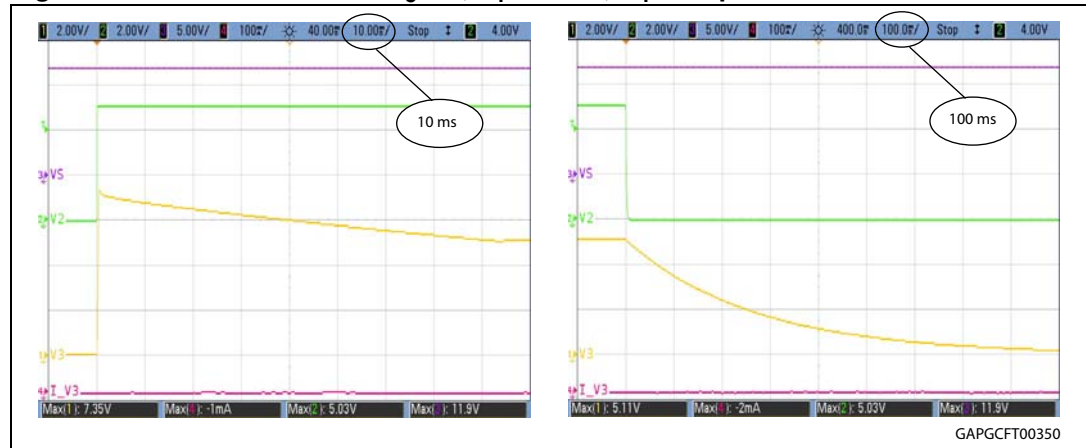


Figure 25. Combination n°6 -  $I_3 = 200$  mA;  $C_i = 10$  nF;  $C_1 = 10$   $\mu$ F

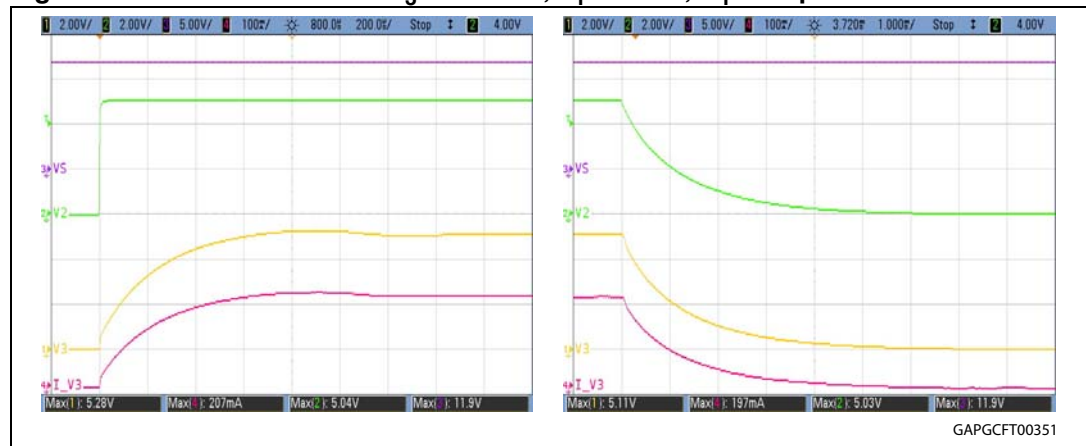
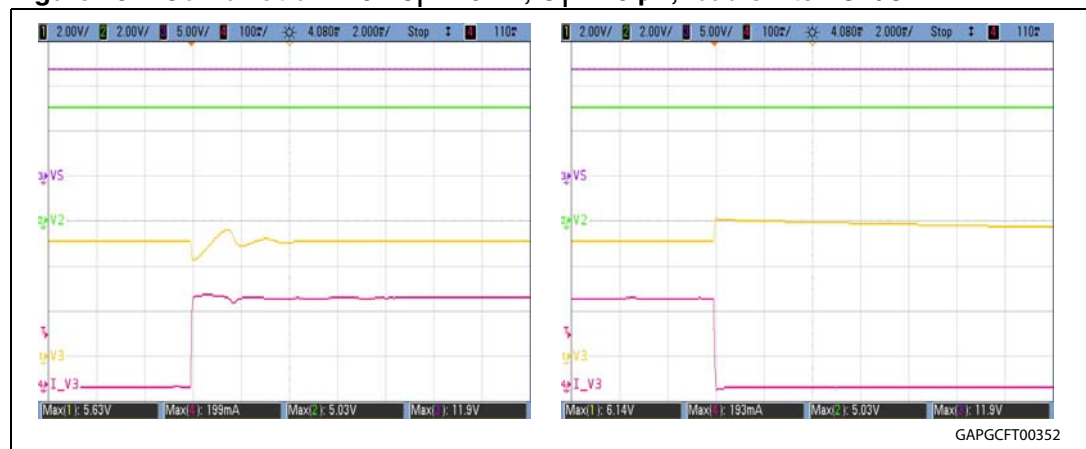


Figure 26. Combination n°6 -  $C_i = 10$  nF;  $C_1 = 10$   $\mu$ F; load switch ON/OFF



### 2.2.4 $V_S$ cranking measurement

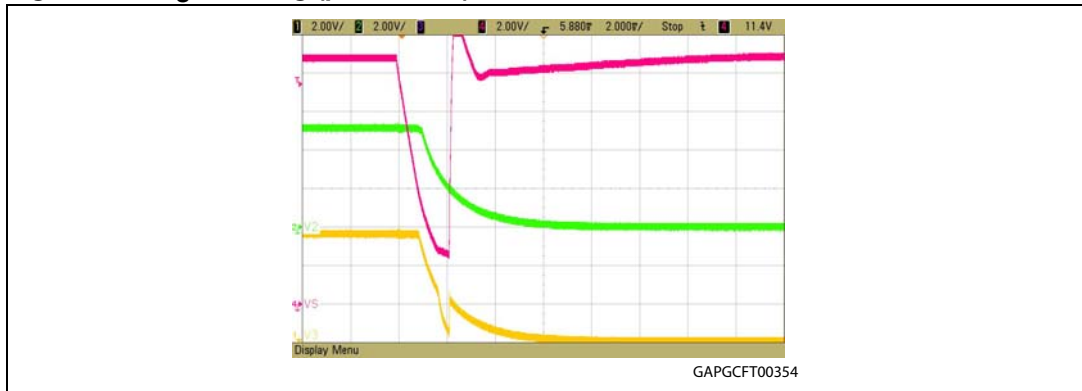
Screenshots of behavior in case of  $V_S$  cranking pulse for various pulse widths are at the next figures. In case  $V_S$  reaches level for POR the  $V_2$  is switched off and as a consequence  $V_3$  is switched off as well.

**Figure 27.  $V_S$  cranking (1 ms pulse)**



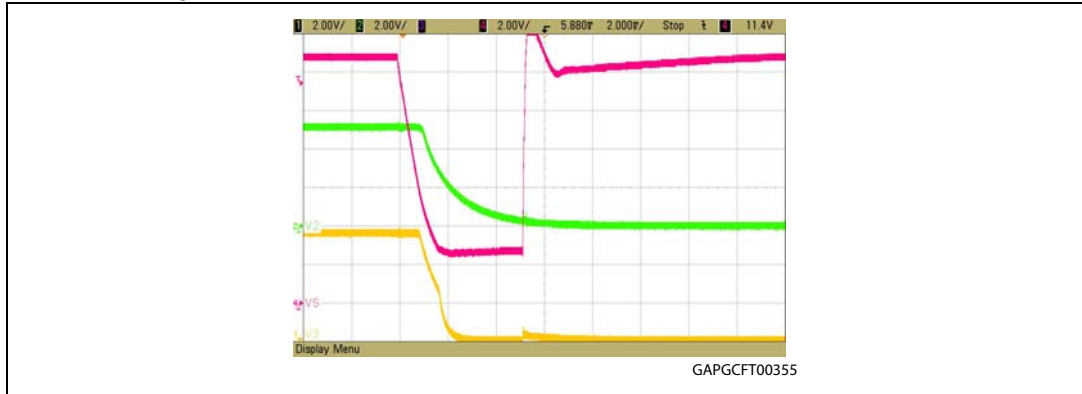
*Figure 27* is a screenshot of  $V_S$  cranking pulse 1 ms width. The  $V_S$  under-voltage flag was set in status register, but  $V_2$  remains ON.

**Figure 28.  $V_S$  cranking (pulse 2 ms)**



On *Figure 28*  $V_S$  reaches the level of power on reset.  $V_2$  was switched OFF and cold start diagnosis bit was signaled in status registers.

Figure 29.  $V_S$  cranking (pulse 5 ms)



## Appendix A Reference document

1. Power management IC with LIN and high speed CAN (L99PM62GXP, Doc ID 17639)

## Revision history

**Table 4. Document revision history**

Date	Revision	Changes
19-May-2011	1	Initial release.
19-Sep-2013	2	Updated Disclaimer.

**Please Read Carefully:**

Information in this document is provided solely in connection with ST products. STMicroelectronics NV and its subsidiaries ("ST") reserve the right to make changes, corrections, modifications or improvements, to this document, and the products and services described herein at any time, without notice.

All ST products are sold pursuant to ST's terms and conditions of sale.

Purchasers are solely responsible for the choice, selection and use of the ST products and services described herein, and ST assumes no liability whatsoever relating to the choice, selection or use of the ST products and services described herein.

No license, express or implied, by estoppel or otherwise, to any intellectual property rights is granted under this document. If any part of this document refers to any third party products or services it shall not be deemed a license grant by ST for the use of such third party products or services, or any intellectual property contained therein or considered as a warranty covering the use in any manner whatsoever of such third party products or services or any intellectual property contained therein.

**UNLESS OTHERWISE SET FORTH IN ST'S TERMS AND CONDITIONS OF SALE ST DISCLAIMS ANY EXPRESS OR IMPLIED WARRANTY WITH RESPECT TO THE USE AND/OR SALE OF ST PRODUCTS INCLUDING WITHOUT LIMITATION IMPLIED WARRANTIES OF MERCHANTABILITY, FITNESS FOR A PARTICULAR PURPOSE (AND THEIR EQUIVALENTS UNDER THE LAWS OF ANY JURISDICTION), OR INFRINGEMENT OF ANY PATENT, COPYRIGHT OR OTHER INTELLECTUAL PROPERTY RIGHT.**

**ST PRODUCTS ARE NOT DESIGNED OR AUTHORIZED FOR USE IN: (A) SAFETY CRITICAL APPLICATIONS SUCH AS LIFE SUPPORTING, ACTIVE IMPLANTED DEVICES OR SYSTEMS WITH PRODUCT FUNCTIONAL SAFETY REQUIREMENTS; (B) AERONAUTIC APPLICATIONS; (C) AUTOMOTIVE APPLICATIONS OR ENVIRONMENTS, AND/OR (D) AEROSPACE APPLICATIONS OR ENVIRONMENTS. WHERE ST PRODUCTS ARE NOT DESIGNED FOR SUCH USE, THE PURCHASER SHALL USE PRODUCTS AT PURCHASER'S SOLE RISK, EVEN IF ST HAS BEEN INFORMED IN WRITING OF SUCH USAGE, UNLESS A PRODUCT IS EXPRESSLY DESIGNATED BY ST AS BEING INTENDED FOR "AUTOMOTIVE, AUTOMOTIVE SAFETY OR MEDICAL" INDUSTRY DOMAINS ACCORDING TO ST PRODUCT DESIGN SPECIFICATIONS. PRODUCTS FORMALLY ESCC, QML OR JAN QUALIFIED ARE DEEMED SUITABLE FOR USE IN AEROSPACE BY THE CORRESPONDING GOVERNMENTAL AGENCY.**

Resale of ST products with provisions different from the statements and/or technical features set forth in this document shall immediately void any warranty granted by ST for the ST product or service described herein and shall not create or extend in any manner whatsoever, any liability of ST.

ST and the ST logo are trademarks or registered trademarks of ST in various countries.

Information in this document supersedes and replaces all information previously supplied.

The ST logo is a registered trademark of STMicroelectronics. All other names are the property of their respective owners.

© 2013 STMicroelectronics - All rights reserved

STMicroelectronics group of companies

Australia - Belgium - Brazil - Canada - China - Czech Republic - Finland - France - Germany - Hong Kong - India - Israel - Italy - Japan - Malaysia - Malta - Morocco - Philippines - Singapore - Spain - Sweden - Switzerland - United Kingdom - United States of America

[www.st.com](http://www.st.com)