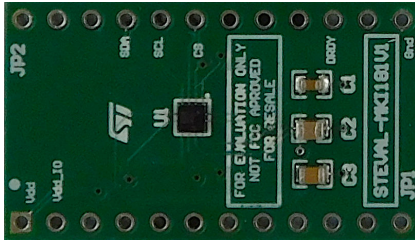


LIS2MDL adapter board for a standard DIL24 socket



Features

- Complete LIS2MDL pinout for a standard DIL24 socket
- Fully compatible with the STEVAL-MKI109V3 and STEVAL-MKI109D development platforms
- RoHS compliant

Description

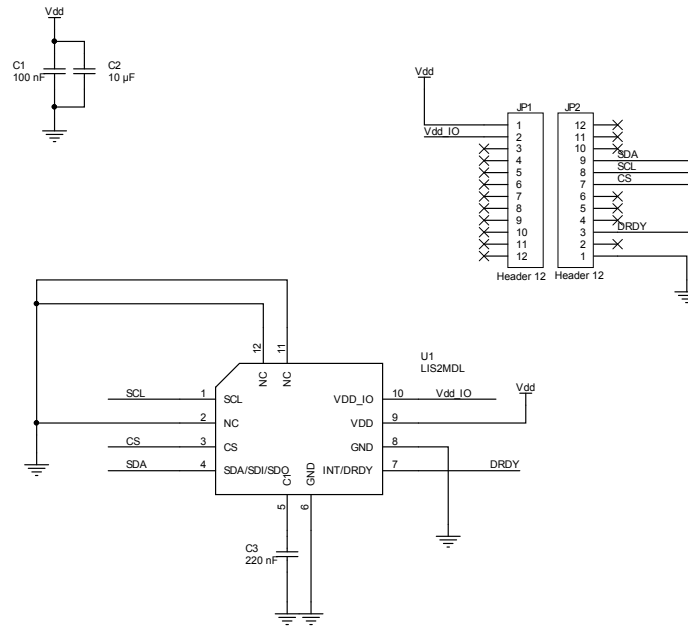
The [STEVAL-MKI181V1](#) is an adapter board designed to facilitate the evaluation of the [LIS2MDL](#) 3-axis magnetometer. The board offers an effective solution for fast system prototyping and device evaluation directly within the user's own application.

The [STEVAL-MKI181V1](#) can be plugged into a standard DIL24 socket. The adapter provides the complete LIS2MDL pinout and comes ready to use with the required decoupling capacitors on the V_{DD} power supply line.

This adapter is supported by the [STEVAL-MKI109V3](#) and [STEVAL-MKI109D](#) development platforms that include a high-performance 32-bit microcontroller functioning as a bridge between the sensor and a PC, on which it is possible to use the [MEMS Studio](#) downloadable graphical user interface or dedicated software routines for customized applications.

1 Schematic diagram

Figure 1. STEVAL-MKI181V1 circuit schematic



Revision history

Table 1. Document revision history

Date	Version	Changes
31-Aug-2017	1	Initial release
18-Oct-2024	2	Updated Description to include STEVAL-MKI109D development platform and MEMS Studio software solution Minor textual updates

IMPORTANT NOTICE – READ CAREFULLY

STMicroelectronics NV and its subsidiaries (“ST”) reserve the right to make changes, corrections, enhancements, modifications, and improvements to ST products and/or to this document at any time without notice. Purchasers should obtain the latest relevant information on ST products before placing orders. ST products are sold pursuant to ST’s terms and conditions of sale in place at the time of order acknowledgment.

Purchasers are solely responsible for the choice, selection, and use of ST products and ST assumes no liability for application assistance or the design of purchasers’ products.

No license, express or implied, to any intellectual property right is granted by ST herein.

Resale of ST products with provisions different from the information set forth herein shall void any warranty granted by ST for such product.

ST and the ST logo are trademarks of ST. For additional information about ST trademarks, refer to www.st.com/trademarks. All other product or service names are the property of their respective owners.

Information in this document supersedes and replaces information previously supplied in any prior versions of this document.

© 2024 STMicroelectronics – All rights reserved