

## Car radio signal processor

### Features

#### Audio processor

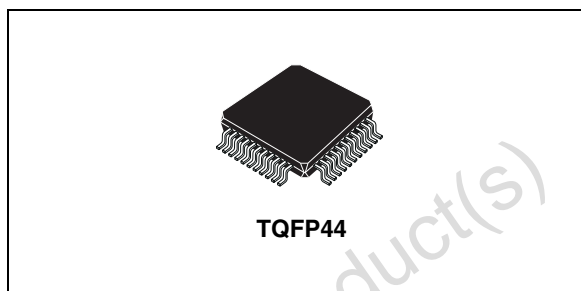
- 4 Stereo inputs
- 4 Mono inputs
- Volume control
- 7 Band equalizer filter control
- High pass filter for subwoofer application
- Direct mute and soft mute
- Internal beep generation
- 4 Independent speaker outputs
- Soft step speaker control
- Subwoofer output
- 7 Band spectrum analyzer
- Full mixing capability
- Pause detector decoder

#### Stereo decoder

- RDS mute
- No external adjustments
- AM/FM noiseblanker with several trigger controls

### Order codes

Part number	Package	Packing
E-TDA7406	TQFP44	Tray



- Programmable multipath detector
- Quality detector output

#### Digital control

- I<sup>2</sup>C-bus interface

### Description

The TDA7406 includes a high performance audio processor with 7 bands equalizer and spectrum analyzer plus a stereo decoder-noiseblanker.

The whole low frequency signal processing necessary for state-of-the-art as well as future car radios is therefore provided.

The digital control allows a full programming not only of the audioprocessor and filter characteristics but also in the stereodecoder part especially for the adaptation to different IF-devices.

# Contents

- 1      Block and pin connection diagram ..... 7**
  
- 2      Electrical specifications ..... 9**
  - 2.1    Supply ..... 9
  - 2.2    Thermal data ..... 9
  - 2.3    Absolute maximum ratings ..... 9
  - 2.4    ESD: ..... 9
  
- 3      Audioprocessor part ..... 10**
  - 3.1    Features: ..... 10
  - 3.2    Audioprocessor electrical characteristics ..... 11
  
- 4      Description of the audioprocessor part ..... 16**
  - 4.1    Input stages ..... 16
    - 4.1.1    Pseudo-differential stereo input (PD) ..... 16
    - 4.1.2    Single-ended stereo inputs, single-ended mono inputs and FM-MPX input  
16
    - 4.1.3    Mixing Selector ..... 16
    - 4.1.4    Rect. Generator ..... 16
  - 4.2    AutoZero ..... 17
    - 4.2.1    AutoZero for Stereodecoder-Selection ..... 17
    - 4.2.2    AutoZero-Remain ..... 18
    - 4.2.3    PAUSE Detector ..... 18
  - 4.3    Loudness ..... 18
  - 4.4    Soft Mute ..... 20
  - 4.5    Volume Control ..... 20
    - 4.5.1    Gain/Attenuation Control ..... 20
    - 4.5.2    Soft Step Volume ..... 20
  - 4.6    The Seven Band Equalizer ..... 21
    - 4.6.1    Equalizer Filter ..... 21
    - 4.6.2    DC-Mode ..... 23
  - 4.7    Subwoofer Application ..... 23
  - 4.8    Spectrum analyzer ..... 24

4.8.1	Spectrum Analyzer Filters	24
4.9	AC-coupling	25
4.10	Speaker-Attenuator stage	26
4.11	Output Mixer	26
4.12	Audioprocessor Testing	26
<b>5</b>	<b>Stereodecoder part</b>	<b>27</b>
5.1	Features:	27
5.2	Stereodecoder electrical characteristics	27
5.3	Dual MPX Usage	30
<b>6</b>	<b>Noise blanker part</b>	<b>31</b>
6.1	Features:	31
6.2	Noise blanker electrical characteristics	31
<b>7</b>	<b>Multipath detector</b>	<b>34</b>
7.1	Features:	34
7.2	Multipath detector electrical characteristics	34
<b>8</b>	<b>Functional Description of Stereodecoder</b>	<b>35</b>
8.1	Stereodecoder-Mute	35
8.2	InGain + InFilter	36
8.3	Demodulator	36
8.4	De-emphasis and Highcut	37
8.5	PLL and Pilot tone-Detector	37
8.6	Fieldstrength Control	37
8.7	LEVEL-Input and -Gain	37
8.8	Stereoblend Control	37
8.9	Highcut Control	38
<b>9</b>	<b>Functional description of the noiseblanker</b>	<b>40</b>
9.1	Trigger Path FM	40
9.2	Noise Controlled Threshold Adjustment (NCT)	40
9.3	Additional Threshold Control Mechanism	41
9.3.1	Automatic Threshold Control by the Stereoblend voltage	41

9.3.2	Over Deviation Detector .....	41
9.3.3	Multipath-Level .....	41
9.3.4	AM mode of the Noiseblanker .....	41
<b>10</b>	<b>Functional description of the multipath-detector .....</b>	<b>42</b>
<b>11</b>	<b>Quality detector .....</b>	<b>43</b>
<b>12</b>	<b>Testmode .....</b>	<b>44</b>
<b>13</b>	<b>I2C bus interface .....</b>	<b>45</b>
13.1	Interface Protocol .....	45
13.1.1	Auto increment .....	45
13.1.2	TRANSMITTED DATA (send mode) .....	45
13.1.3	Reset Condition .....	45
13.2	Subaddress (receive mode) .....	46
13.3	Data byte specification .....	47
<b>14</b>	<b>Application diagram .....</b>	<b>61</b>
<b>15</b>	<b>Package information .....</b>	<b>62</b>
<b>16</b>	<b>Revision history .....</b>	<b>63</b>

## List of tables

Table 1.	Supply	9
Table 2.	Thermal data	9
Table 3.	Absolute maximum ratings	9
Table 4.	Audioprocessor electrical characteristics	11
Table 5.	Stereodecoder electrical characteristics	27
Table 6.	Noise blanker electrical characteristics	31
Table 7.	Multipath detector electrical characteristics	34
Table 8.	Subaddress (receive mode)	46
Table 9.	Input Selector (0)	47
Table 10.	Loudness (1)	47
Table 11.	Volume (2)	48
Table 12.	Equalizer (3,4,5,6,7,8,9)	48
Table 13.	Mixing Programming (10)	49
Table 14.	SoftMute (11)	49
Table 15.	Subwoofer Configuration / Spectrum Analyzer / HighPass (12)	50
Table 16.	Configuration Audioprocessor I (13)	50
Table 17.	Configuration Audioprocessor II (14)	51
Table 18.	Speaker and Subwoofer Level Control (15,16,17,18,19)	52
Table 19.	Mixer Level Control (20)	52
Table 20.	Testing Audioprocessor (21)	53
Table 21.	Stereodecoder (22)	53
Table 22.	Noiseblanker I (23)	54
Table 23.	Noiseblanker II (24)	55
Table 24.	AM / FM-Noiseblanker (25)	55
Table 25.	High-Cut (26)	56
Table 26.	Fieldstrength Control (27)	57
Table 27.	Multipath Detector (28)	57
Table 28.	Stereodecoder Adjustment (29)	58
Table 29.	Stereodecoder Configuration (30)	59
Table 30.	Testing Stereodecoder(31)	59
Table 31.	Document revision history	63

## List of figures

Figure 1.	Block diagram	7
Figure 2.	Pin connection (Top view)	8
Figure 3.	Input-stages	17
Figure 4.	Loudness Attenuation @ $f_P = 400\text{Hz}$	19
Figure 5.	Loudness Center frequencies @ Attn. = 15dB	19
Figure 6.	1st and 2nd Order Loudness @ Attn. = 15dB, $f_P=400\text{Hz}$	19
Figure 7.	Soft Mute-Timing	20
Figure 8.	SoftStep-Timing for Volume	21
Figure 9.	Equalizer filter control @ $f_{\text{Center}} = 1\text{kHz}$ , $Q = 1.0$	22
Figure 10.	Center frequencies @ Gain = 15dB, $Q = 1.0$	22
Figure 11.	Quality factors @ boost = 15dB, $f_{\text{Center}} = 1\text{kHz}$	22
Figure 12.	Superposition of all EQ bands @ boost = 15dB	23
Figure 13.	EQ band1, normal- and DC-mode @ boost = 15 dB, $f_{\text{Center}} = 62\text{ Hz}$	23
Figure 14.	Subwoofer Application with Lowpass @ 80/120/160Hz and HighPass @ 30/135/180Hz	24
Figure 15.	Spectrum analyzer block diagram	25
Figure 16.	Timing spectrum analyzer	25
Figure 17.	AC/DC-coupling and MixIn Inputs	26
Figure 18.	Output Selector	26
Figure 19.	Block diagram Dual MPX	30
Figure 20.	Trigger Threshold vs. VPEAK	33
Figure 21.	Deviation Controlled Trigger Adjustment	33
Figure 22.	Fieldstrength Controlled Trigger Adjustment	33
Figure 23.	Block diagram of the stereodecoder	35
Figure 24.	Signals during stereodecoder's SoftMute	36
Figure 25.	Signal-Control via SoftMute-Pin	36
Figure 26.	Internal stereoblend characteristics	38
Figure 27.	Relation between internal and external LEVEL-voltages for setup of Stereoblend	38
Figure 28.	Highcut characteristics	39
Figure 29.	Block diagram of the noiseblanker	40
Figure 30.	Block diagram of the Multipath-Detector	42
Figure 31.	Application Diagram	61
Figure 32.	TQFP44 Mechanical Data & Package Dimensions	62

# 1 Block and pin connection diagram

Figure 1. Block diagram

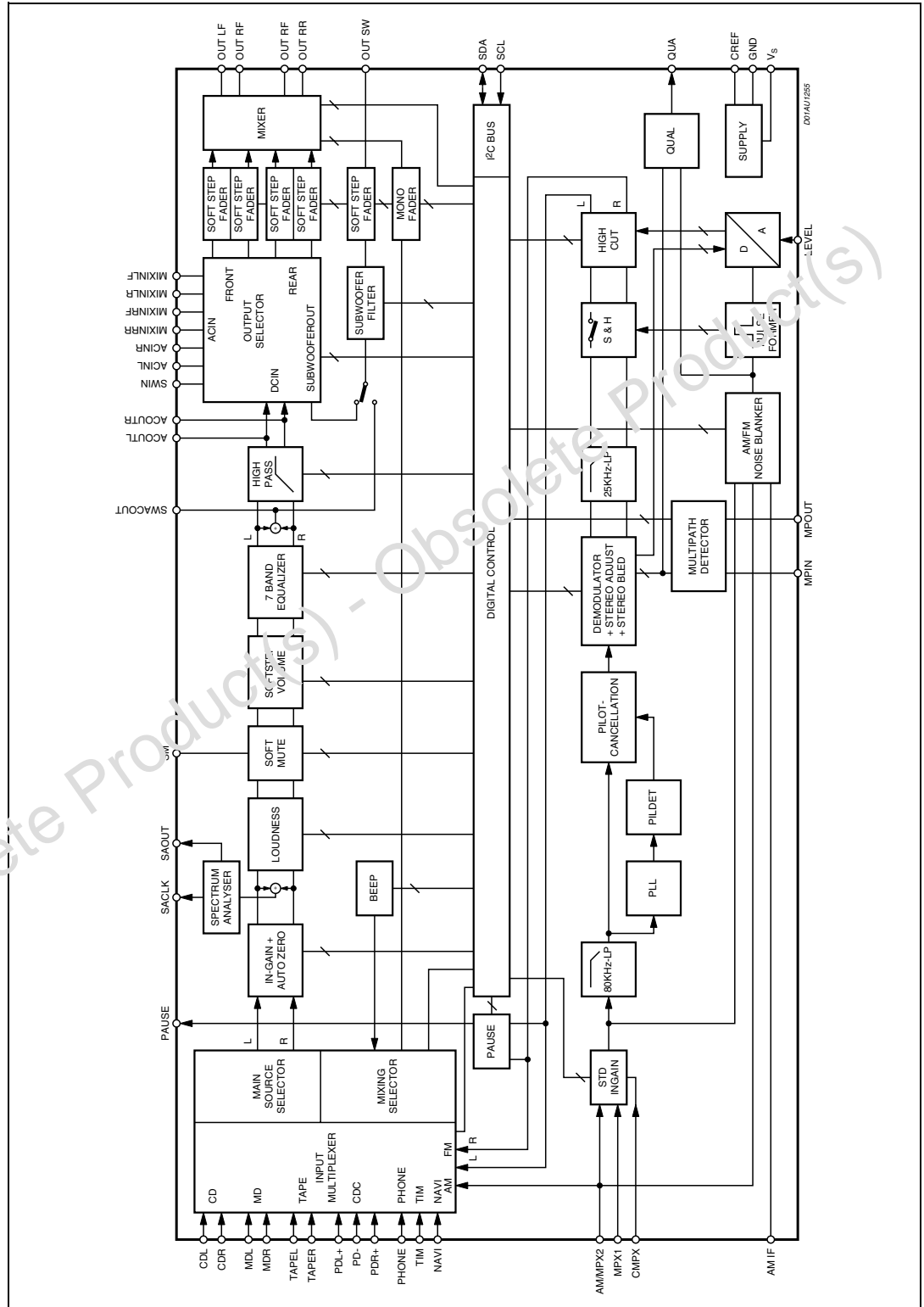
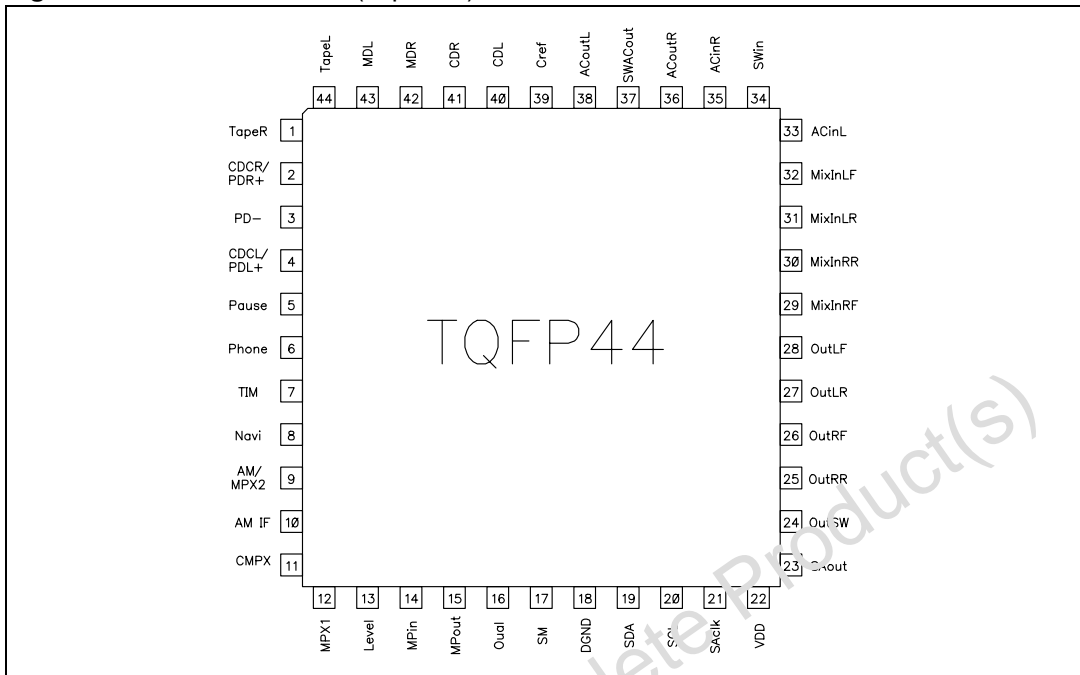


Figure 2. Pin connection (Top view)



Obsolete Product(s) - Obsolete Product(s)



## 2 Electrical specifications

### 2.1 Supply

Table 1. Supply

Symbol	Parameter	Test Conditions	Min.	Typ.	Max.	Unit
$V_S$	Supply Voltage		7.5	9	10	V
$I_S$	Supply Current	$V_S = 9V$	42	60	78	mA
SVRR	Ripple Rejection @ 1kHz	Audioprocessor (all Filters flat)		60		dB
		Stereodecoder + Audioprocessor		55		dB

### 2.2 Thermal data

Table 2. Thermal data

Symbol	Description	Value	Unit
$R_{th\ j-pins}$	Thermal Resistance Junction-pins	65	°C/W

### 2.3 Absolute maximum ratings

Table 3. Absolute maximum ratings

Symbol	Parameter	Value	Unit
$V_S$	Operating Supply Voltage	10.5	V
$T_{amb}$	Operating Temperature Range	-40 to 85	°C
$T_{stg}$	Storage Temperature Range	-55 to +150	°C

### 2.4 ESD:

All pins are protected against ESD according to the MIL883 standard.

## 3 Audioprocessor part

### 3.1 Features:

- Input multiplexer
  - Pseudo differential CDC stereo input, programmable as single-ended input.
  - 3 single-ended stereo inputs.
  - 4 single-ended mono inputs.
  - Input gain adjust 0...15dB in 1dB steps.
  - Internal offset-cancellation (autozero).
- Beep
  - Internal beep generator with 4 different frequencies.
- Mixing stage
  - Beep, Phone- and Navi-Input mixable to all speaker outputs.
  - TIM or tuner (FM/AM) programmable as fourth mixing source.
  - Level control range of 95dB (+15...-79db).
- Loudness
  - Loudness programmable center frequency and filter slope.
  - 0...19dB attenuation in 1dB steps.
  - selectable flat-mode (constant attenuation).
- Volume
  - Gain/Attenuation with 0.5dB step resolution.
  - soft-step control with programmable blend times.
  - 110dB range (+32...-79db).
- Equalizer
  - Seven bands equalizer with 2<sup>nd</sup> order frequency response switch-capacitors filters.
  - Center frequency programmable for lowest and highest filter.
  - Programmable quality factor in four steps for each filter.
  - ±15dB range with 1dB steps.
- Spectrum analyzer
  - seven bandpass 2<sup>nd</sup> order frequency response switch-capacitors filters
  - Programmable quality factor for different visual appearance
  - Analog output
  - Controlled by external serial clock
- High pass Filter
  - 2nd order Butterworth high pass with programmable cut-off frequency
  - Selectable flat-mode
- Speakers
  - 4 independent speaker controls with separate mute.
  - Control range 95dB (+15...-79dB) in 1dB steps with soft step.
  - 4 independent programmable mix inputs with 50% mixing ratio
- Subwoofer

- Single-ended monaural output
- control range 95dB (+15...-79dB) in 1dB steps with soft step.
- separate mute
- Mute functions
  - direct mute
  - digitally controlled Soft mute with 4 programmable mute-time

### 3.2 Audioprocessor electrical characteristics

Table 4. Audioprocessor electrical characteristics  
( $V_S=9V$ ;  $T_{amb}=25^{\circ}C$ ;  $R_L=10k\Omega$ ; all gains=0dB;  $f=1kHz$ ; unless otherwise specified)

Symbol	Parameter	Test Condition	Min.	Typ.	Max.	Unit
<b>INPUT SELECTOR</b>						
$R_{in}$	Input Resistance	all single ended Inputs	70	100	130	$k\Omega$
$V_{CL}$	Clipping Level		2.2	2.6		$V_{RMS}$
$S_{IN}$	Input Separation		80	100		dB
$G_{IN MIN}$	Min. Input Gain		-1	0	1	dB
$G_{IN MAX}$	Max. Input Gain		13	15	17	dB
$G_{STEP}$	Step Resolution		0.5	1	1.5	dB
$V_{DC}$	DC Steps	Adjacent Gain Steps	-5	1	5	mV
		$G_{MIN}$ to $G_{MAX}$	-10	1	10	mV
$V_{offset}$	Remaining offset with Autozero			0.5		mV
<b>DIFFERENTIAL STEREO INPUTS</b>						
$R_{in}$	Input Resistance (see Fig. 1)	Differential	70	100	130	$k\Omega$
CMRR	Common Mode Rejection Ratio	$V_{CM} = 1V_{RMS}$ @ 1kHz	46	70		dB
		$V_{CM} = 1V_{RMS}$ @ 10kHz	46	60		dB
$e_{NC}$	Output-Noise @ Speaker-Outputs	20Hz - 20kHz, flat; all stages 0dB		11		$\mu V$
<b>BEEP CONTROL</b>						
$V_{RMS}$	Beep Level	Mix-Gain = 6dB	250	350	500	mV
$f_{Beep}$	Beep Frequency	$f_{Beep1}$	475	500	525	Hz
		$f_{Beep2}$	740	780	820	Hz
		$f_{Beep3}$	1.48	1.56	1.64	kHz
		$f_{Beep4}$	2.28	2.4	2.52	kHz

**Table 4. Audioprocessor electrical characteristics (continued)**  
 ( $V_S=9V$ ;  $T_{amb}=25^{\circ}C$ ;  $R_L=10k\Omega$ ; all gains=0dB;  $f=1kHz$ ; unless otherwise specified)

Symbol	Parameter	Test Condition	Min.	Typ.	Max.	Unit
<b>MIXING CONTROL</b>						
$M_{LEVEL}$	Mixing Ratio	Main / Mix-Source		-6/-6		dB
$G_{MAX}$	Max. Gain		13	15	17	dB
$A_{MAX}$	Max. Attenuation		-83	-79	-75	dB
$A_{STEP}$	Attenuation Step		0.5	1	1.5	dB
<b>LOUDNESS CONTROL</b>						
$A_{STEP}$	Step Resolution		0.5	1	1.5	dB
$A_{MAX}$	Max. Attenuation		-21	-19	-17	dB
$f_{Peak}$	Peak Frequency	$f_{P1}$	180	200	220	Hz
		$f_{P2}$	360	400	440	Hz
		$f_{P3}$	540	600	660	Hz
		$f_{P4}$	720	800	880	Hz
<b>VOLUME CONTROL</b>						
$G_{MAX}$	Max. Gain		30	32	34	dB
$A_{MAX}$	Max. Attenuation		-83	-79	-75	dB
$A_{STEP}$	Step Resolution		0	0.5	1	dB
$E_A$	Attenuation Set Error	$G = -20$ to $+20$ dB	-0.75	0	+0.75	dB
		$G = -80$ to $-20$ dB	-4	0	3	dB
$E_T$	Tracking Error				2	dB
$V_{DC}$	DC Steps	Adjacent Attenuation Steps		0.1	3	mV
		From 0dB to $G_{MIN}$		0.5	5	mV

**Table 4. Audioprocessor electrical characteristics (continued)**  
 ( $V_S=9V$ ;  $T_{amb}=25^\circ C$ ;  $R_L=10k\Omega$ ; all gains=0dB;  $f=1kHz$ ; unless otherwise specified)

Symbol	Parameter	Test Condition	Min.	Typ.	Max.	Unit
<b>SOFT MUTE</b>						
$A_{MUTE}$	Mute Attenuation		80	100		dB
$T_D$	Delay Time	T1		0.48	1	ms
		T2		0.96	2	ms
		T3	70	123	170	ms
		T4	200	324	600	ms
$V_{TH\ low}$	Low Threshold for SM-Pin <sup>1)</sup>				1	V
$V_{TH\ high}$	High Threshold for SM - Pin		2.5			V
$R_{PU}$	Internal pull-up resistor		32	45	58	k $\Omega$
$V_{PU}$	Internal pull-up Voltage			3.3		V
<b>EQUALIZER CONTROL</b>						
$C_{RANGE}$	Control Range		$\pm 14$	$\pm 15$	$\pm 16$	dB
$A_{STEP}$	Step Resolution		0.5	1	1.5	dB
$f_{C1}$	Center Frequency Band 1	$f_{C1a}$	55	62	69	Hz
		$f_{C1b}$	90	100	110	Hz
$f_{C2}$	Center Frequency Band 2	$f_{C2}$	141	157	173	Hz
$f_{C3}$	Center Frequency Band 3	$f_{C3}$	365	396	437	Hz
$f_{C4}$	Center Frequency Band 4	$f_{C4}$	0.9	1	1.1	kHz
$f_{C5}$	Center Frequency Band 5	$f_{C5}$	2.25	2.51	2.766	kHz
$f_{C6}$	Center Frequency Band 6	$f_{C6a}$	3.6	4	4.4	kHz
		$f_{C6b}$	5.70	6.34	6.98	kHz
$f_{C7}$	Center Frequency Band 7	$f_{C7a}$	13.5	15	16.5	kHz
		$f_{C7b}$	14.4	16	17.6	kHz
Q	Quality Factor	$Q_1$	0.9	1	1.1	
		$Q_2$	1.26	1.4	1.54	
		$Q_3$	1.62	1.8	1.98	
		$Q_4$	1.98	2.2	2.44	
$DC_{GAIN}$	DC-gain, Band 1	DC = off	-1	0	+1	dB
		DC = on, 15dB boost		4		dB
<b>SPECTRUM ANALYZER CONTROL</b>						
$V_{SAOut}$	Output Voltage Range		0		3.3	V
$f_{C1}$	Center Frequency Band 1	$f_{C1}$	55	62	69	Hz
$f_{C2}$	Center Frequency Band 2	$f_{C2}$	141	157	173	Hz

**Table 4. Audioprocessor electrical characteristics (continued)**  
 ( $V_S=9V$ ;  $T_{amb}=25^{\circ}C$ ;  $R_L=10k\Omega$ ; all gains=0dB;  $f=1kHz$ ; unless otherwise specified)

Symbol	Parameter	Test Condition	Min.	Typ.	Max.	Unit
$f_{C3}$	Center Frequency Band 3	$f_{C3}$	356	396	436	Hz
$f_{C4}$	Center Frequency Band 4	$f_{C4}$	0.9	1	1.1	kHz
$f_{C5}$	Center Frequency Band 5	$f_{C5}$	2.26	2.51	2.76	kHz
$f_{C6}$	Center Frequency Band 6	$f_{C6}$	5.70	6.34	6.98	kHz
$f_{C7}$	Center Frequency Band 7	$f_{C7}$	14.4	16	17.6	kHz
Q	Quality Factor	$Q_1$	1.62	1.8	1.98	
		$Q_2$	3.15	3.5	3.85	
$f_{SAClk}$	Clock Frequency		1		100	kHz
$t_{SAdel}$	Analog Output Delay Time		2			$\mu s$
$t_{repeat}$	Spectrum Analyzer Repeat Time		50			ms
$t_{intres}$	Internal Reset Time			3		ms
<b>PAUSE DETECTOR</b>						
$V_{TH}$	Zero Crossing Threshold	Window 1		40		mV
		Window 2		80		mV
		Window 3		160		mV
$I_{DELAY}$	Pull-Up Current		15	25	35	$\mu A$
$V_{THP}$	Pause Threshold			3		V
<b>SPEAKER ATTENUATORS</b>						
$R_{in}$	Input Impedance		35	50	65	$k\Omega$
$G_{MAX}$	Max. Gain		14.5	15.5	16.5	dB
$A_{MAX}$	Max. Attenuation		-83.5	-79.5	-75	dB
$A_{STEP}$	Step Resolution		0.5	1	1.5	dB
$A_{MUTE}$	Output Mute Attenuation		80	90		dB
$\epsilon_F$	Attenuation Set Error				3	dB
$V_{DC}$	DC Steps	Adjacent Attenuation Steps		0.5	5	mV
$M_R$	Mixing Ratio	Signal/Mix <sub>in</sub>		50/50		%
<b>AUDIO OUTPUTS</b>						
$V_{CLIP}$	Clipping Level	Thd=0.3%	2.2	2.6		$V_{RMS}$
$R_L$	Output Load Resistance		2			$k\Omega$
$C_L$	Output Load Capacitance				10	nF
$R_{OUT}$	Output Impedance			30	120	W
$V_{DC}$	DC Voltage Level		4.3	4.5	4.7	V

**Table 4. Audioprocessor electrical characteristics (continued)**  
 ( $V_S=9V$ ;  $T_{amb}=25^{\circ}C$ ;  $R_L=10k\Omega$ ; all gains=0dB;  $f=1kHz$ ; unless otherwise specified)

Symbol	Parameter	Test Condition	Min.	Typ.	Max.	Unit
<b>HIGH PASS</b>						
$f_{HP}$	Highpass corner frequency	$f_{HP1}$	81	90	99	Hz
		$f_{HP2}$	122	135	148	Hz
		$f_{HP3}$	162	180	198	Hz
		$f_{HP4}$	194	215	236	Hz
<b>SUBWOOFER ATTENUATOR</b>						
$R_{in}$	Input Impedance		35	50	65	$\Omega$
$G_{MAX}$	Max. Gain		14	15	16	dB
$A_{ATTN}$	Max. Attenuation		-83	-79	-75	dB
$A_{STEP}$	Step Resolution		0	1	1.5	dB
$A_{MUTE}$	Output Mute Attenuation		30	90		dB
$E_E$	Attenuation Set Error				2	dB
$V_{DC}$	DC Steps	Adjacent Attenuation Steps		1	5	mV
<b>SUBWOOFER Lowpass</b>						
$f_{LP}$	Lowpass corner frequency	$f_{LP1}$	72	80	88	Hz
		$f_{LP2}$	108	120	132	Hz
		$f_{LP3}$	144	160	176	Hz
<b>GENERAL</b>						
$e_{NO}$	Output Noise	BW = 20Hz - 20kHz output muted		3	15	$\mu V$
		BW = 20Hz - 20kHz all gains = 0dB single ended inputs		10	20	$\mu V$ $\mu V$
S/N	Signal to Noise Ratio	all gains = 0dB flat; $V_O = 2V_{RMS}$		103		dB
		All EQ-bands at +12dB; Q = 1.0 a-weighted; $V_O = 2.6V_{RMS}$		87		dB
d	distortion	$V_{IN} = 1V_{RMS}$ ; all stages 0dB		0.01	0.1	%
		$V_{OUT} = 1V_{RMS}$ ; Bass & Treble = 12dB		0.05	0.1	%
$S_C$	Channel Separation left/right		80	90		dB

## 4 Description of the audioprocessor part

### 4.1 Input stages

In the basic configuration there is a source-Selector with 8 inputs: one pseudo-differential (CDC), three single ended stereo (MD, CD, Tape), three single-ended mono (PHONE, NAVI, TIM) plus the “tuner” input. The tuner input takes the signal from either MPX1 or MPX2/AM pins (through the stereodecoder) see [Figure 3](#).

#### 4.1.1 Pseudo-differential stereo Input (PD)

The PD input is implemented as a buffered pseudo-differential stereo stage with  $100\text{k}\Omega$  input-impedance at each input pin. This input is also configurable as single-ended stereo input (CDC, see pin-out). The common input-pin, PD- features a fast charge switch to speed up the charge time of external capacitors. This switch is released the first time the input-selector data-byte (0) is assessed.

#### 4.1.2 Single-ended stereo Inputs, single-ended mono inputs and FM-MPX input

All single ended inputs have an input impedance of  $100\text{k}\Omega$ . The AM-pin can be connected to the input of the stereo-decoder in order to use the AM-noiseblanker and AM-High-Cut feature. As input “Tuner” for the input selector either the stereo-decoder output or the AM-pin is selectable.

#### 4.1.3 Mixing Selector

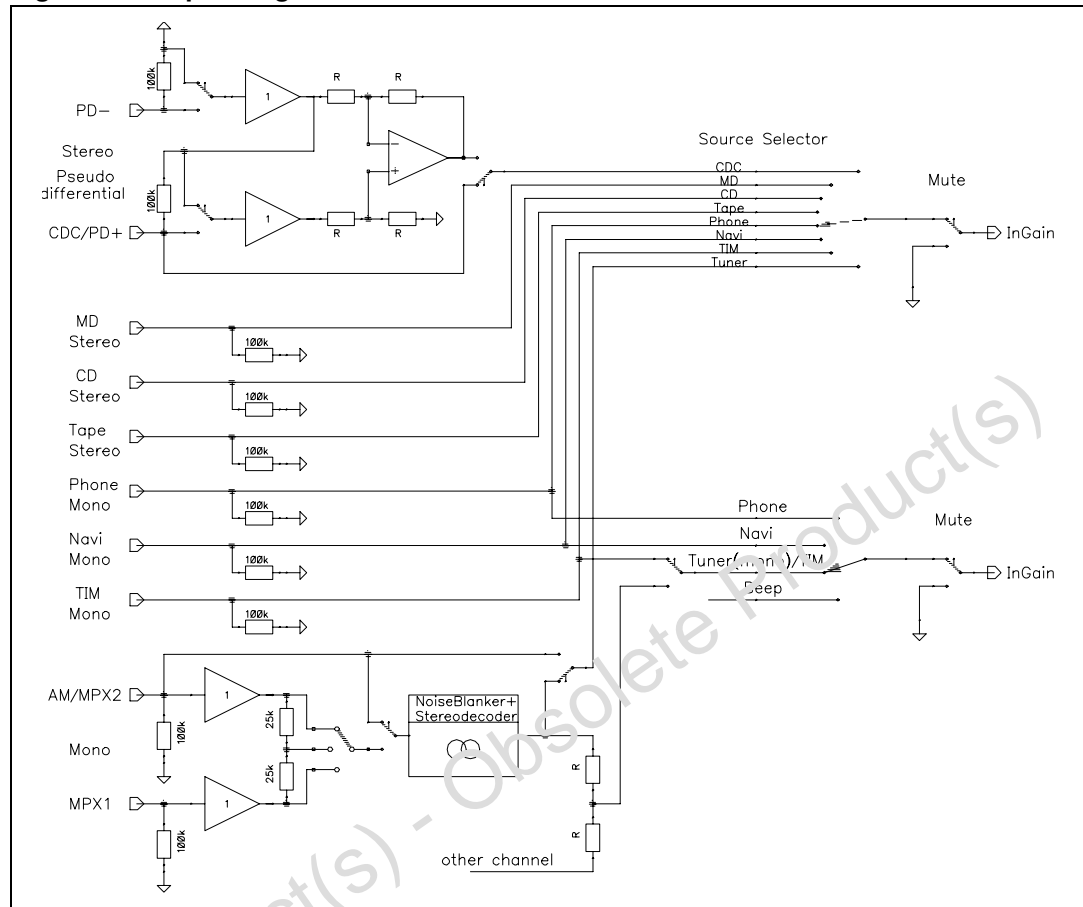
It is possible to enable/disable the mixing feature (ratio 50%) at the outputs stages between whichever input source and one of the following signals: Beep, Phone, Navigator and Tuner/TIM.

#### 4.1.4 Beep Generator

There are four possible selectable beeping frequencies: 600Hz, 780Hz, 1.56KHz and 2.4KHz.



Figure 3. Input-stages



## 4.2 AutoZero

The AutoZero allows a reduction of the number of pins as well as external components by canceling any offset generated by or before the In-Gain-stage (Please notice that externally generated offsets, e.g. generated through the leakage current of the coupling capacitors, are not canceled).

The auto-zeroing is started every time the DATA-BYTE 0 is selected and needs max. **0.3ms** for the alignment. To avoid audible clicks the Audioprocessor have to be muted by soft mute or hard mute during this time.

### 4.2.1 AutoZero for Stereodecoder-Selection

A special procedure is recommended for selecting the stereodecoder at the input-selector to guarantee an optimum offset-cancellation:

(Step 0: SoftMute or Mute the signal-path)

- Step 1: Temporary deselect the stereodecoder at the input-selector
- Step 2: Configure the stereodecoder via IIC-Bus
- Step 3: Wait 1ms
- Step 4: Select the stereodecoder

The root cause of this procedure is, that after muting the stereodecoder (Step 1), the internal stereodecoder filters have to settle in order to perform a proper offset-cancellation.

#### 4.2.2 AutoZero-Remain

In some cases, for example if the  $\mu\text{P}$  is executing a refresh cycle of the IIC-Bus-programming, it is not useful to start a new AutoZero-action because no new source is selected and an undesired mute would appear at the outputs. For such applications the TDA7406 could be switched in the **AutoZero-Remain-Mode** (Bit 6 of the subaddress-byte). If this bit is set to high, the DATABYTE 0 could be loaded without invoking the AutoZero and the old adjustment-value remains.

#### 4.2.3 PAUSE Detector

A pause detector stage with programmable threshold (40/80/160mV) is provided (see data Byte 14).

The pause detector info is available at the PAUSE pin; a capacitor must be connected between this pin and GND.

When the incoming signal is detected to be outside the selected window, the external capacitor is discharged. When the signal is inside the window, the capacitor is integrating up.

The pause status can be detected in two ways:

- a) reading directly the PAUSE pin level  
Pause Off = level low (<3.0V)  
Pause On = level high (>3.0V)
- b) by reading the I2C transmitted byte, bit P  
P = 1 pause active  
P = 0 no pause detected

The external capacitor value fixes the time constant. The pull up current is 25 $\mu\text{A}$  typical.

### 4.3 Loudness

There are four parameters programmable in the loudness stage:

- **Attenuation:** 0 to -19dB attenuation in 1dB steps vs. frequency (see the response at  $f_p = 400\text{Hz}$  in [Figure 4](#)).
- **Peak Frequency:** Four programmable peak frequencies: 200,400,600 and 800Hz (see [Figure 5](#)).
- **Filter Order:** First or second order frequency response (see [Figure 6](#)).
- **Flat mode:** Selectable flat-mode. In flat mode the loudness stage works as a 0dB to -19dB attenuator.

Figure 4. Loudness Attenuation @  $f_p = 400\text{Hz}$ .

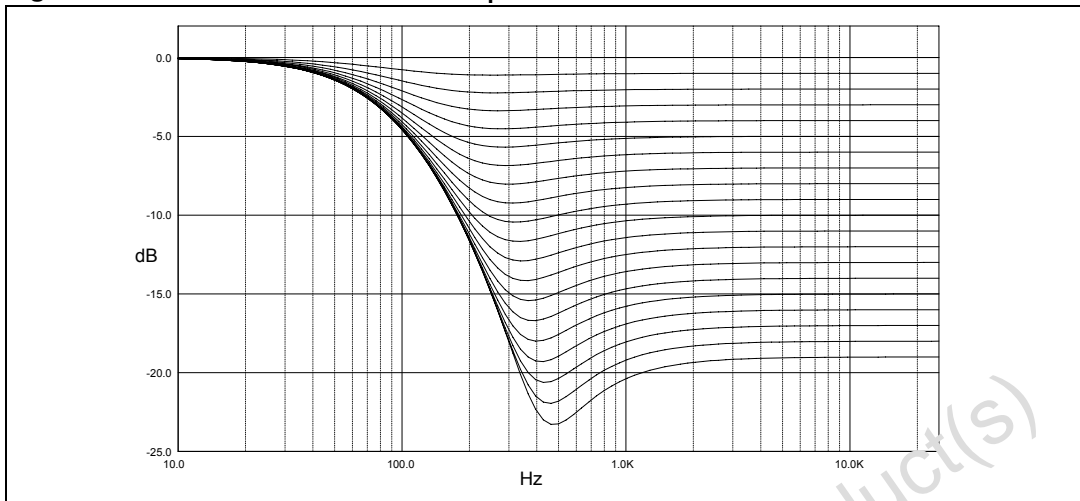


Figure 5. Loudness Center frequencies @ Attn. = 15dB

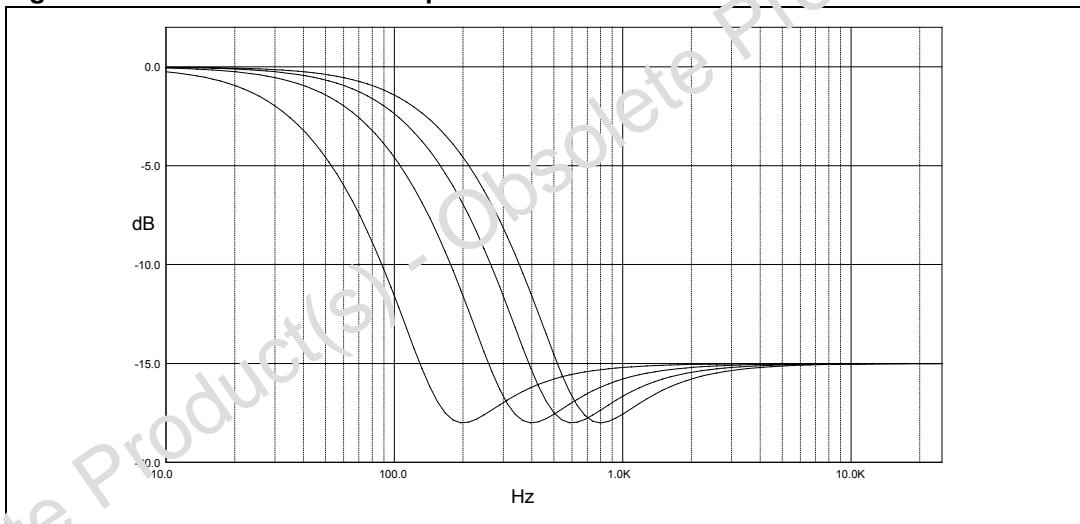
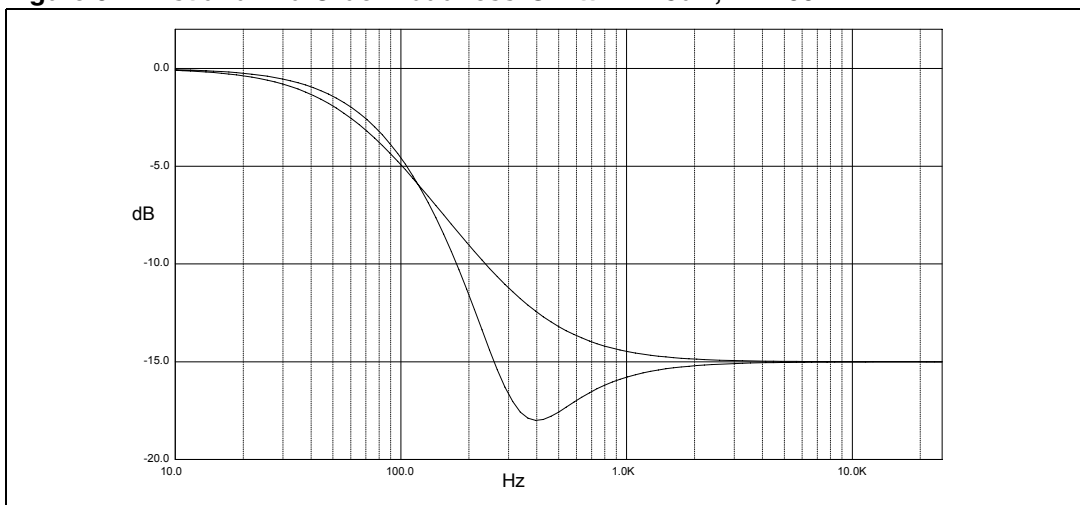


Figure 6. 1st and 2nd Order Loudness @ Attn. = 15dB,  $f_p=400\text{Hz}$

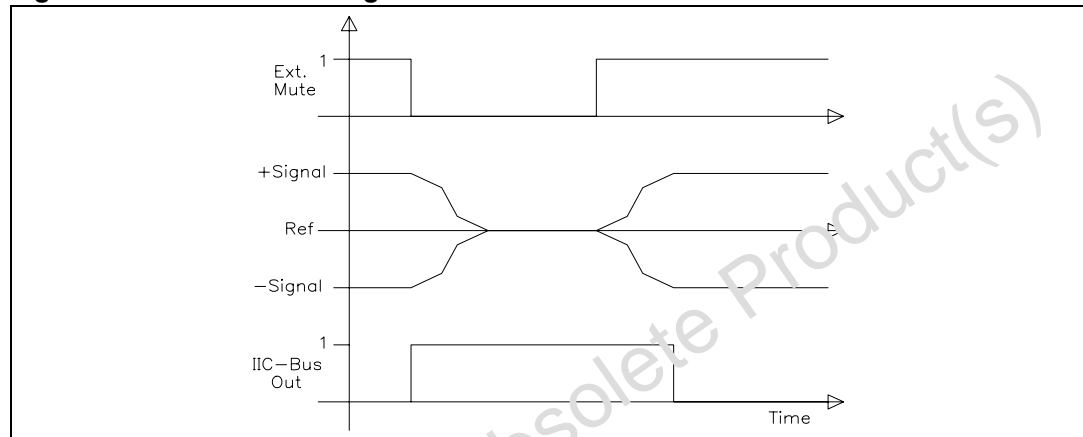


## 4.4 Soft Mute

The digitally controlled Soft Mute stage allows signal muting/demuting with a programmable slope. The Mute time is selectable among 4 values: 0.48, 0.96, 123 and 324ms. The mute process can either be activated by the Soft Mute pin or via the I<sup>2</sup>C-bus. This slope is realized in a special S-shaped curve to mute slow in the critical regions (see [Figure 7](#)).

For timing purposes the I<sup>2</sup>C-bus output register (Bit0 = SM read bit) is set to 1 from the start of muting until the end of de-muting.

**Figure 7. Soft Mute-Timing**



*Note:* Please notice that a started Mute-action is always terminated and could not be interrupted by a change of the mute -signal.

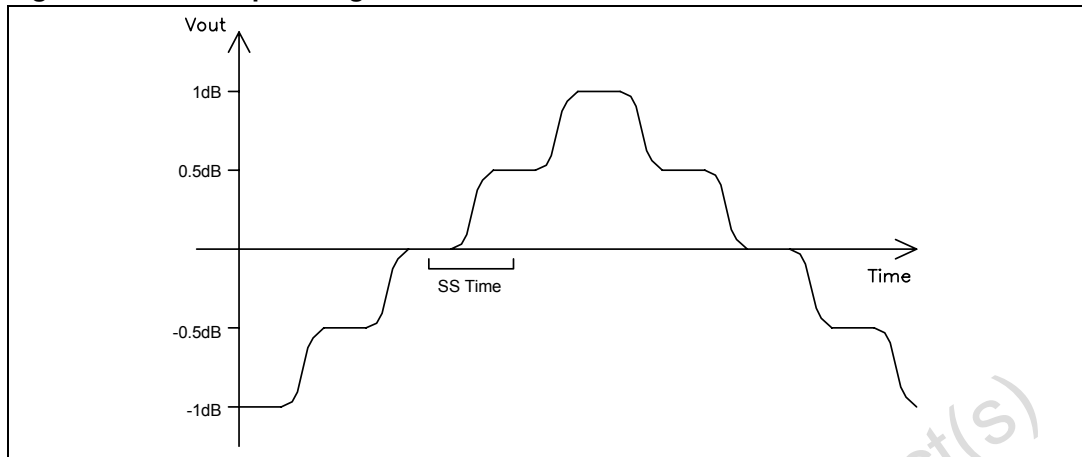
## 4.5 Volume Control

### 4.5.1 Gain/Attenuation Control

The volume control can range from a gain of 32dB up to an attenuation of 79dB; however it is not recommended to use a gain higher than 20dB for performance reasons.

### 4.5.2 Soft Step Volume

When the speaker-level is changed, audible clicks could appear at the output. The root cause of those clicks could either be a DC offset before the speaker-stage or the sudden change of the envelope of the audio signal. With the SoftStep-feature both kinds of clicks could be reduced to a minimum and are no more audible. The blend-time from one step to the next is programmable with four different values: 320μs, 1.28ms, 5.12ms and 20.4ms.

**Figure 8. SoftStep-Timing for Volume**

*Note:* For steps more than 0.5dB (Volume) or 1dB (Speaker) the SoftStep mode should be deactivated because it could generate a hard 1dB step during blending.

## 4.6 The Seven Band Equalizer

### 4.6.1 Equalizer Filter

Each filter is realized as a switched capacitor with a 2nd order frequency response.

There are three parameters programmable in the equalizer filter:

- **Attenuation:**  $\pm 15$ dB in 1dB step resolution (*Figure 9* shows the boost and cut response as a function of frequency at a center frequency of 1kHz.)
- **Center Frequency:** This parameter is programmable in the filter stages 1 (62/100Hz), 6 (4/6.34kHz) and 7 (15/16kHz). The others bands are fixed at: 157, 396, 1K and 2.5K Hertz (see *Figure 10*).
- **Quality Factors:** The four possible quality factors are 1, 1.4, 1.8 and 2.2 (see *Figure 11*).

The center frequency, Q, DC-mode and boost/cut can be set fully independently for each filter. *Figure 12* shows the superposition of all equalizer filter curves for different quality factors.

Figure 9. Equalizer filter control @  $f_{Center} = 1\text{kHz}$ ,  $Q = 1.0$

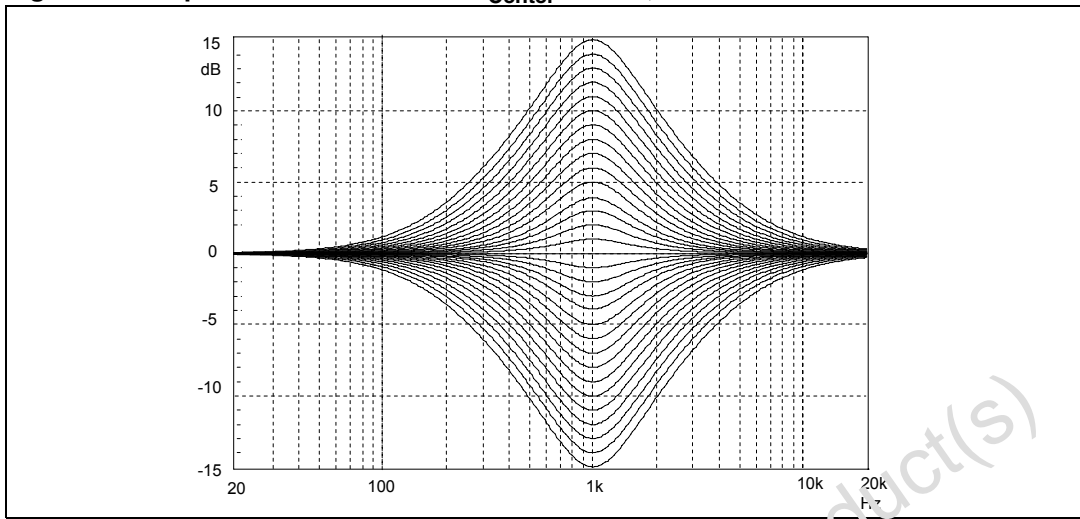


Figure 10. Center frequencies @ Gain = 15dB,  $Q = 1.0$

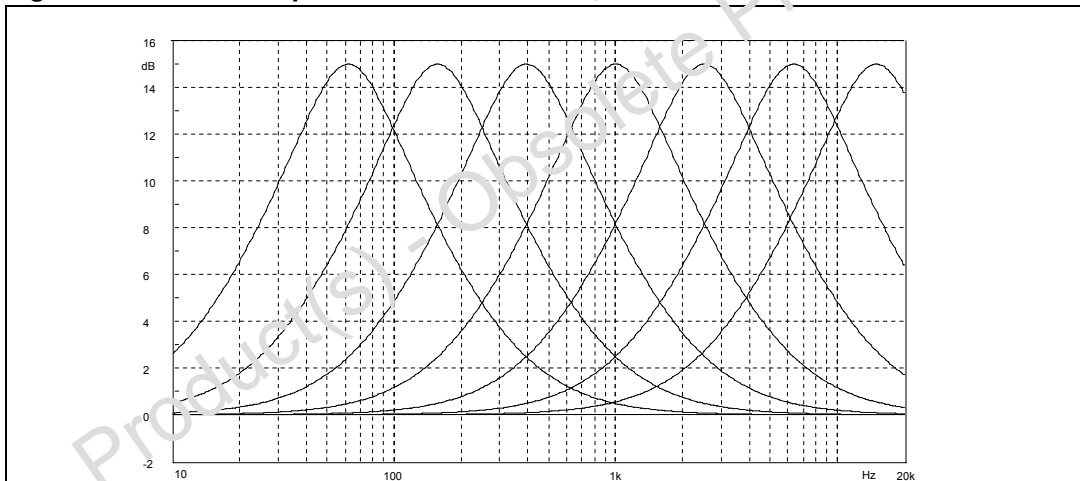
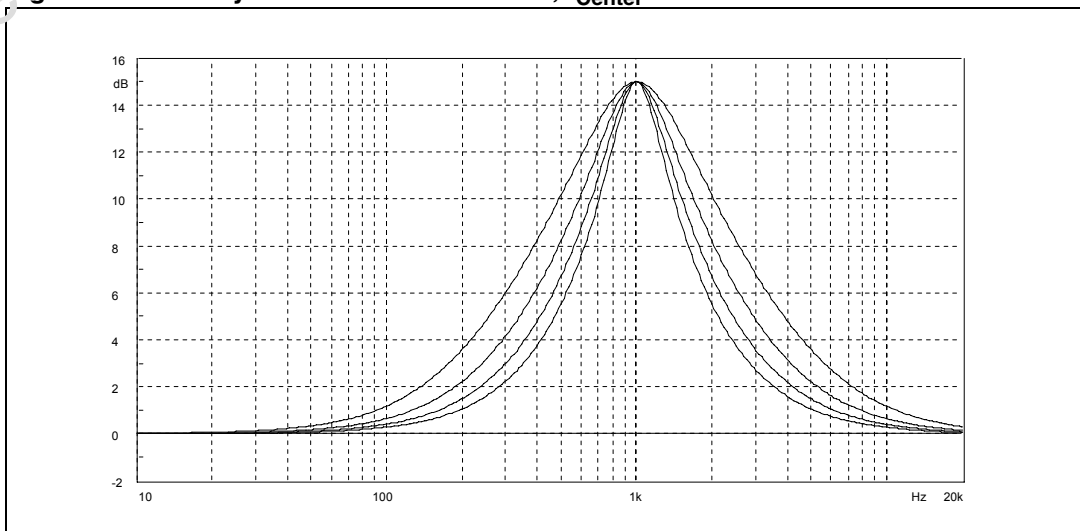
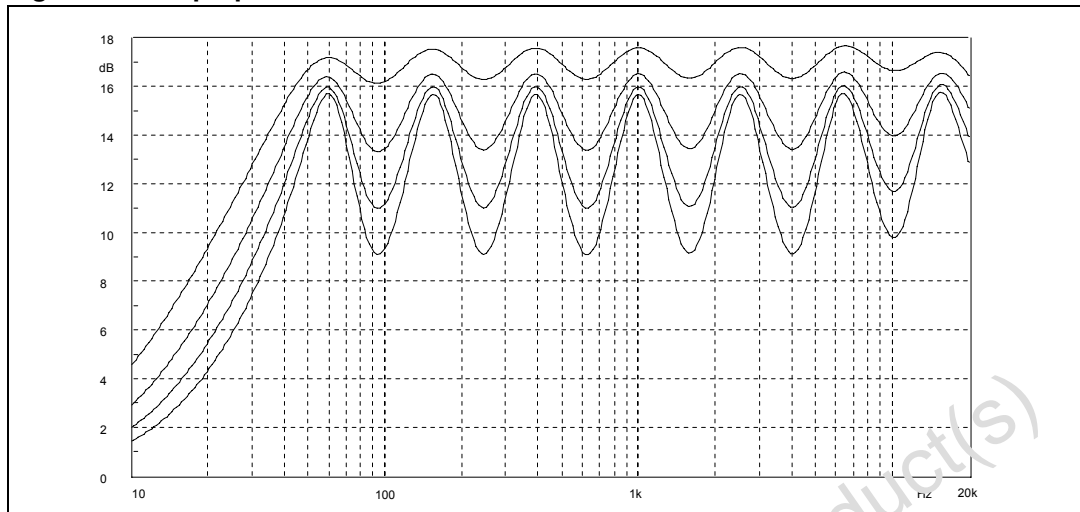


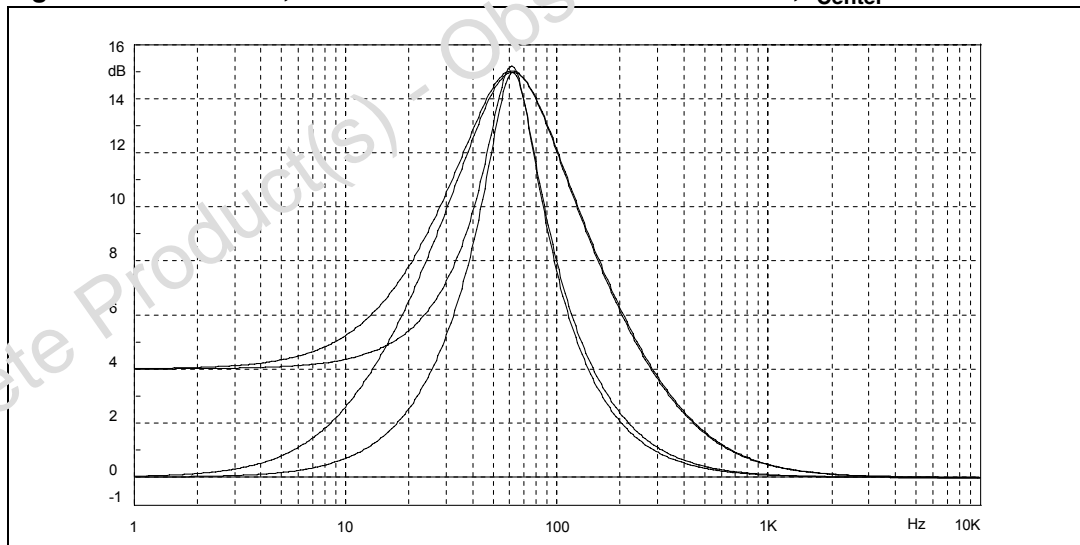
Figure 11. Quality factors @ boost = 15dB,  $f_{Center} = 1\text{kHz}$



**Figure 12. Superposition of all EQ bands @ boost = 15dB**

#### 4.6.2 DC-Mode

The filter stage 1 (62/100Hz) has a programmable +4dB DC-gain when the boost is set at +15dB (See [Figure 13](#)).

**Figure 13. EQ band1, normal- and DC-mode @ boost = 15 dB,  $f_{\text{Center}} = 62 \text{ Hz}$** 

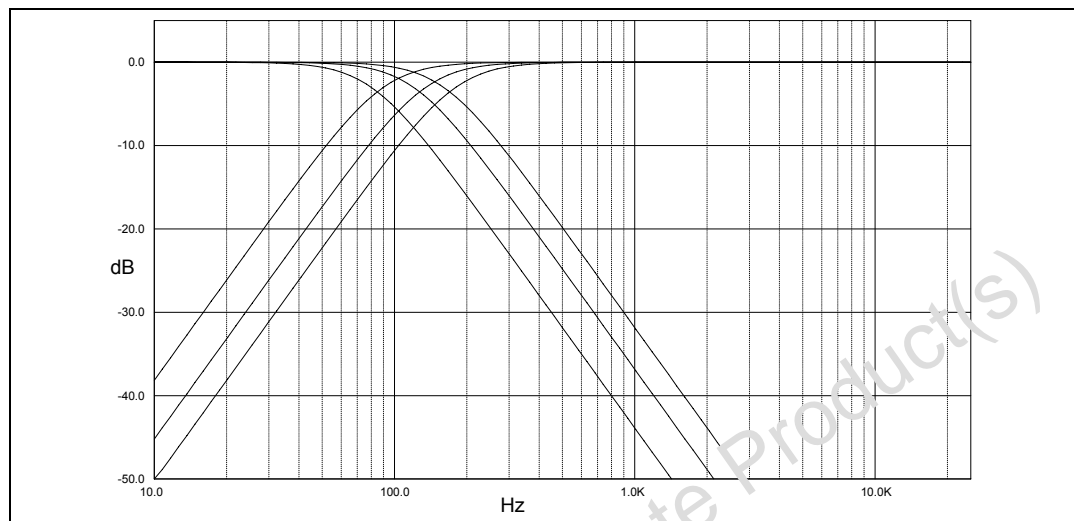
*Note:* The center frequency, Q, DC-mode and boost/cut can be set fully independently for each filter.

#### 4.7 Subwoofer Application

There is one separate subwoofer output. A low-pass filter stage at this output allows the selection of three different frequencies: 80/120/160Hz. A high Pass Filter stage is present in the main path with selectable 90/135/180/215Hz frequencies. Both filters, the low-pass as well as the high-pass filter can be disabled and have butterworth characteristics so that their

cutoff frequencies are not equal but shifted by the factor 1.125 to get a flat frequency response (see [Figure 14](#)).

**Figure 14. Subwoofer Application with Lowpass @ 80/120/160Hz and HighPass @ 90/135/180Hz**



## 4.8 Spectrum analyzer

A fully integrated seven band spectrum analyzer with programmable quality factor is present in the IC ([Figure 15](#)).

The spectrum analyzer consists of seven band pass filters with a rectifier and sample capacitor which stores the maximum peak signal level since the last read cycle. This peak signal level can be read by a microprocessor at the SA<sub>out</sub> pin. To allow easy interfacing to a microprocessor analog port, the output voltage at this pin is referred to device ground.

The microprocessor starts a read cycle when there is a clock edge going negative at the SA<sub>clk</sub> input. On the following positive clock edges, the peak signal level for the band pass filters is subsequently switched to SA<sub>out</sub>. Each analog output data is valid after the time  $t_{SA\text{del}}$ .

A reset of the sample capacitors is induced whenever SA<sub>clk</sub> remains high for the time  $t_{\text{intres}}$ . Note that a proper reset requires the clock signal SA<sub>clk</sub> to be held at high potential. [Figure 15](#) shows the block diagram and [Figure 16](#) illustrates the read cycle timing of the spectrum analyzer.

The spectrum analyzer minimum repeat time is 50ms.

### 4.8.1 Spectrum Analyzer Filters

Each filter is realized as a switched capacitor with a 2nd order frequency response. The center frequency of the filter stages are: 62, 157, 396, 1K, 2.51K, 6.34k and 16kHz. It is possible to choose between two different filter quality factors: 1.8 and 3.5.



Figure 15. Spectrum analyzer block diagram

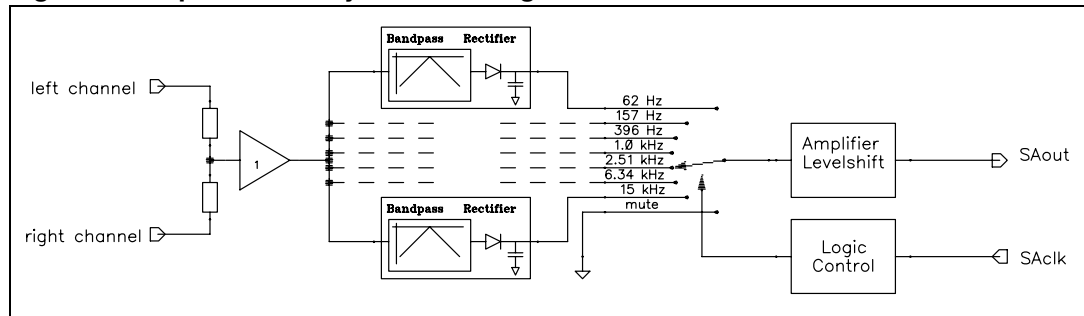
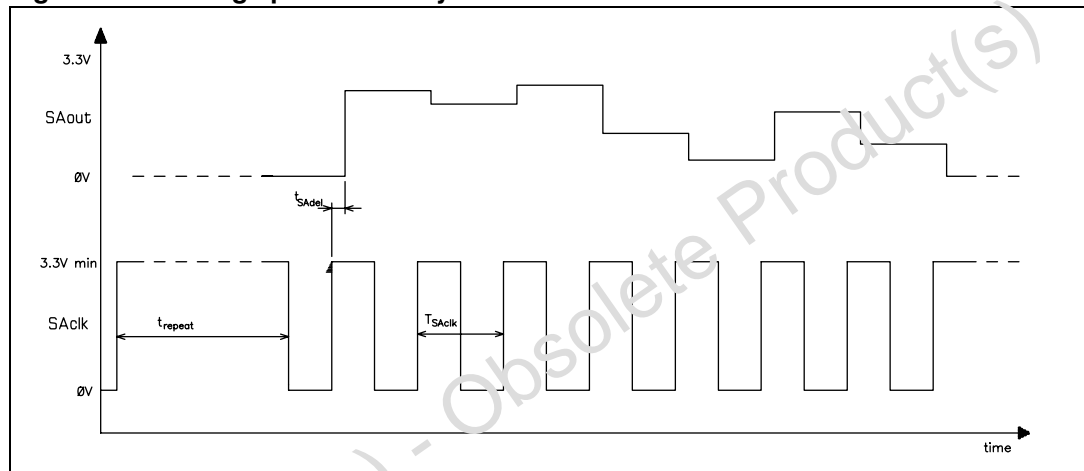


Figure 16. Timing spectrum analyzer



## 4.9 AC-coupling

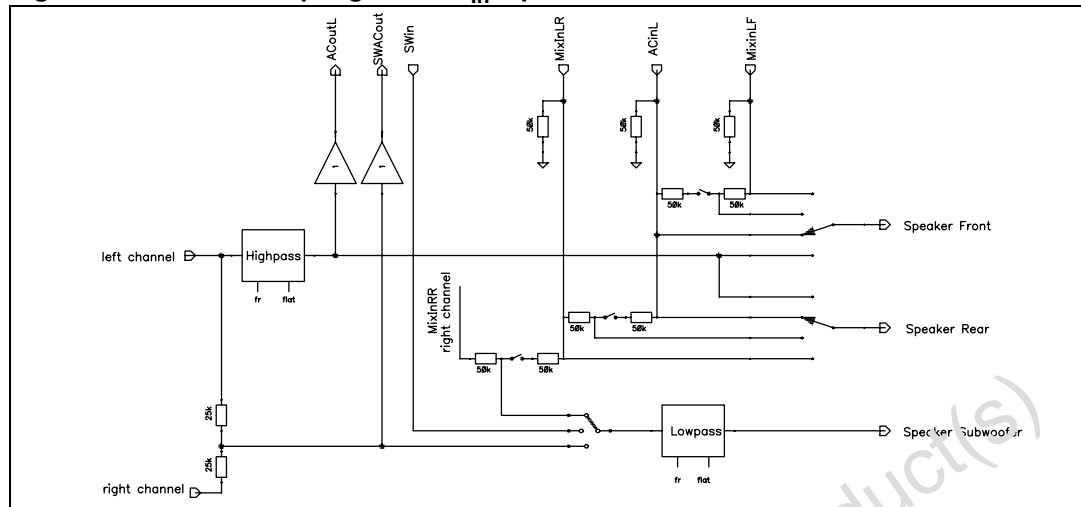
In some applications additional signal manipulations are desired. For this purpose an AC-coupling is placed before the speaker-attenuators, which can be activated or internally shorted by I<sup>2</sup>C-Bus. In short condition the input-signal of the speaker-attenuator is available at the AC-outputs. The input-impedance of this AC-inputs is 50k $\Omega$ . In addition there are Mix<sub>In</sub> inputs available. With this inputs it is possible to mix an external signal to every speaker with a mixing ratio of 50% (see [Figure 17](#)).

The source of front and rear speaker can be set independently. As source is possible to choose:

- internal dc coupling (not recommended)
- external ac coupling using AC<sub>In</sub> pins
- external ac coupling using Mix<sub>In</sub> pins
- mixing of AC<sub>In</sub> and Mix<sub>In</sub> pins (mixing ratio: 50%)

If the Mix<sub>In</sub> pins of the rear speaker are not used this inputs can be used as mixing inputs for the internal subwoofer filter.

Figure 17. AC/DC-coupling and Mix<sub>in</sub> Inputs



### 4.10 Speaker-Attenuator stage

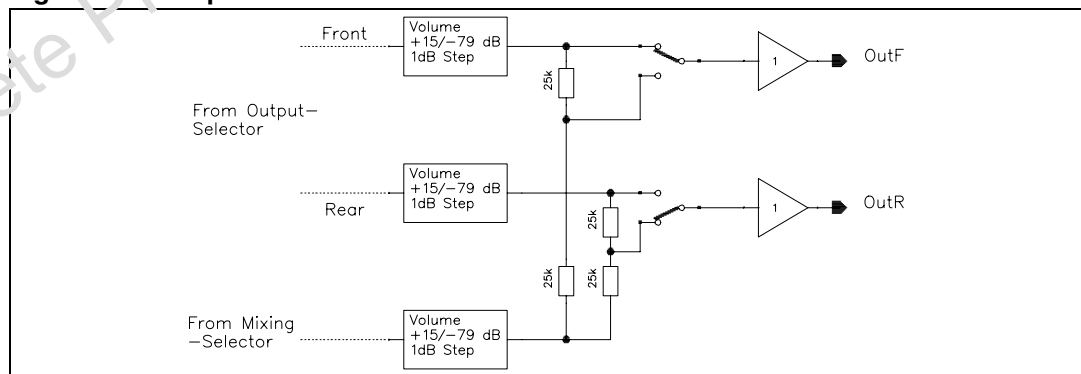
Each of the four speakers and the subwoofer output has a separate volume control in the range: +15... -79dB plus mute with a typical value of -90dB.

### 4.11 Output Mixer

A Mixing-stage is placed after each speaker gain/attenuator stage and can be set independently to mixing-mode.

Having a full volume control for the Mix-signal in the range:+15... -79dB plus mute with a typical value of -90dB, the stage offers a wide flexibility to adapt the mixing levels.

Figure 13. Output Selector



### 4.12 Audioprocessor Testing

During the Test Mode, which can be activated by setting bit I<sub>2</sub> of the subaddress byte **and** D<sub>0</sub> of the audioprocessor testing byte, several internal signals are available at the Navi pin. During this mode the input resistance of 100kΩ is disconnected from the pin. The internal signals available are shown in the Data-byte specification.

## 5 Stereodecoder part

### 5.1 Features:

- No external components necessary
- PLL with adjustment free, fully integrated VCO
- Automatic pilot dependent MONO/STEREO switching
- Very high suppression of intermodulation and interference
- Programmable Roll-Off compensation
- Dedicated RDS-Softmute
- Highcut and Stereoblend-characteristics programmable in a wide range
- FM/AM noiseblanker with several threshold controls
- Multipath-detector with programmable internal/external influence
- I<sup>2</sup>C-bus control of all necessary functions

### 5.2 Stereodecoder electrical characteristics

Table 5. Stereodecoder electrical characteristics

$V_S = 9V$ , de-emphasis time constant =  $50\mu s$ , MPX input voltage  $V_{MPX} = 500mV$  (75kHz deviation), modulation frequency = 1kHz, input gain = 6dB,  $T_{amb} = 27^\circ C$ , unless otherwise specified.

Symbol	Parameter	Test Conditions	Min.	Typ.	Max.	Unit
$V_{in}$	MPX Input Level	Input Gain = 3.5dB		0.5	1.25	$V_{rms}$
$R_{in}$	Input Resistance		70	100	130	$k\Omega$
$G_{min}$	Min. Input Gain		1.5	3.5	4.5	dB
$G_{max}$	Max. Input Gain		8.5	11	12.5	dB
$G_{step}$	Step Resolution		1.75	2.5	3.25	dB
SVRR	Supply Voltage Ripple Rejection	$V_{ripple} = 100mV$ , $f = 1kHz$		60		dB
$\alpha$	Max. Channel Separation		30	50		dB
THD	Total Harmonic Distortion	$f_{in}=1kHz$ , mono		0.02	0.3	%
$\frac{S+N}{N}$	Signal plus Noise to Noise Ratio	A-weighted, $S = 2V_{rms}$	80	91		dB
<b>MONO/STEREO-SWITCH</b>						
$V_{PTHST1}$	Pilot Threshold Voltage	for Stereo, PTH = 1	10	15	25	mV
$V_{PTHST0}$	Pilot Threshold Voltage	for Stereo, PTH = 0	15	25	35	mV
$V_{PTHMO1}$	Pilot Threshold Voltage	for Mono, PTH = 1	7	12	17	mV
$V_{PTHMO0}$	Pilot Threshold Voltage	for Mono, PTH = 0	10	19	25	mV

**Table 5. Stereodecoder electrical characteristics (continued)**  
 $V_S = 9V$ , de-emphasis time constant =  $50\mu s$ , MPX input voltage  $V_{MPX} = 500mV$  (75kHz deviation), modulation frequency = 1kHz, input gain = 6dB,  $T_{amb} = 27^\circ C$ , unless otherwise specified.

Symbol	Parameter	Test Conditions	Min.	Typ.	Max.	Unit
<b>PLL</b>						
$\Delta f/f$	Capture Range		0.5			%
<b>DEEMPHASIS and HIGHCUT</b>						
$\tau_{DeempFM}$	De-emphasis Time constants FM	$V_{LEVEL} \gg V_{HCH}$	25	50	75	$\mu s$
		$V_{LEVEL} \gg V_{HCH}$	44	62.5	80	$\mu s$
		$V_{LEVEL} \gg V_{HCH}$	50	75	100	$\mu s$
		$V_{LEVEL} \gg V_{HCH}$	70	100	150	$\mu s$
$M_{FM}$	Highcut Time constant Multiplier FM	$V_{LEVEL} \ll V_{HCL}$		3		
$\tau_{DeempAM}$	De-emphasis Time constants AM	$V_{LEVEL} \gg V_{HCH}$		37.5		$\mu s$
		$V_{LEVEL} \gg V_{HCH}$		47		$\mu s$
		$V_{LEVEL} \gg V_{HCH}$		56		$\mu s$
		$V_{LEVEL} \gg V_{HCH}$		75		$\mu s$
$M_{AM}$	High cut Time constant Multiplier AM	$V_{LEVEL} \ll V_{HCL}$		3.7		
REF5V	Internal Reference Voltage		4.7	5	5.3	V
$L_{min}$	min. LEVEL Gain		-1	0	+1	dB
$L_{max}$	max. LEVEL Gain		5	6	7	dB
$L_{Gstep}$	LEVEL Gain Step Resolution		0.2	0.4	0.6	dB
$VSBL_{min}$	Min. Voltage for Mono		17	20	23	%REF5V
$VSBL_{max}$	Max. Voltage for Mono		62	70	78	%REF5V
$VSBL_{step}$	Step Resolution		1.6	3.3	5.0	%REF5V
$VHCH_{min}$	Min. Voltage for NO Highcut		77	42	47	%REF5V
$VHCH_{max}$	Max. Voltage for NO Highcut		58	66	74	%REF5V
$VHCH_{step}$	Step Resolution		4.2	8.4	12.6	%REF5V
$VHCL_{min}$	Min. Voltage for FULL High cut		15	17	19	%VHCH
$VHCL_{max}$	Max. Voltage for FULL High cut		29	33	37	%VHCH
$VHCL_{step}$	Step Resolution		2.1	4.2	6.3	%REF5V
<b>Carrier and harmonic suppression at the output</b>						
$\alpha_{19}$	Pilot Signal f=19kHz		40	50		dB
$\alpha_{38}$	Subcarrier f=38kHz			75		dB
$\alpha_{57}$	Subcarrier f=57kHz			62		dB
$\alpha_{76}$	Subcarrier f=76kHz			90		dB

Table 5. Stereodecoder electrical characteristics (continued)

$V_S = 9V$ , de-emphasis time constant = 50 $\mu$ s, MPX input voltage  $V_{MPX} = 500mV$  (75kHz deviation), modulation frequency = 1kHz, input gain = 6dB,  $T_{amb} = 27^\circ C$ , unless otherwise specified.

Symbol	Parameter	Test Conditions	Min.	Typ.	Max.	Unit
<b>Intermodulation (Note 1)</b>						
$\alpha 2$	$f_{mod}=10kHz, f_{spur}=1kHz$			65		dB
$\alpha 3$	$f_{mod}=13kHz, f_{spur}=1kHz$			75		dB
<b>Traffic Radio (Note 2)</b>						
$\alpha 57$	Signal $f=57kHz$			70		dB
<b>SCA - Subsidiary Communications Authorization (Note 3)</b>						
$\alpha 67$	Signal $f=67kHz$			75		dB
<b>ACI - Adjacent Channel Interference (Note 4)</b>						
$\alpha 114$	Signal $f=114kHz$			95		dB
$\alpha 190$	Signal $f=190kHz$			84		dB

**Notes to the characteristics:****1. Intermodulation Suppression:**

$$\alpha 2 = \frac{V_{O(\text{signal})(at 1kHz)}}{V_{O(\text{spurious})(at 1kHz)}}; f_s = (2 \times 10kHz) - 19kHz$$

$$\alpha 3 = \frac{V_{O(\text{signal})(at 1kHz)}}{V_{O(\text{spurious})(at 1kHz)}}; f_s = (3 \times 13kHz) - 38kHz$$

measured with: 91% pilot signal;  $f_m = 10kHz$  or  $13kHz$ .

**2. Traffic Radio (V.F.) Suppression:**

$$\alpha 57(V.W > F.) = \frac{V_{O(\text{signal})(at 1kHz)}}{V_{O(\text{spurious})(at 1kHz \pm 23kHz)}}$$

measured with: 91% stereo signal; 9% pilot signal;  $f_m = 1kHz$ ; 5% subcarrier ( $f = 57kHz, f_m = 23Hz$  AM,  $m = 60\%$ )

**3. SCA (Subsidiary Communications Authorization)**

$$\alpha 67 = \frac{V_{O(\text{signal})(at 1kHz)}}{V_{O(\text{spurious})(at 9kHz)}}; F_s = (2 \times 38kHz) - 67kHz$$

measured with: 81% mono signal; 9% pilot signal;  $f_m = 1kHz$ ; 10%SCA - subcarrier ( $f_s = 67kHz$ , unmodulated).

**4. ACI (Adjacent Channel Interference):**

$$\alpha 114 = \frac{V_{O(\text{signal})(at 1kHz)}}{V_{O(\text{spurious})(at 4kHz)}}; F_s = 110kHz - (3 \times 38kHz)$$

$$\alpha 190 = \frac{V_{O(\text{signal})(at 1kHz)}}{V_{O(\text{spurious})(at 4kHz)}}; F_s = 186kHz - (5 \times 38kHz)$$

measured with: 90% mono signal; 9% pilot signal;  $f_m = 1kHz$ ; 1% spurious signal( $f_s = 110kHz$  or  $186kHz$ , unmodulated).

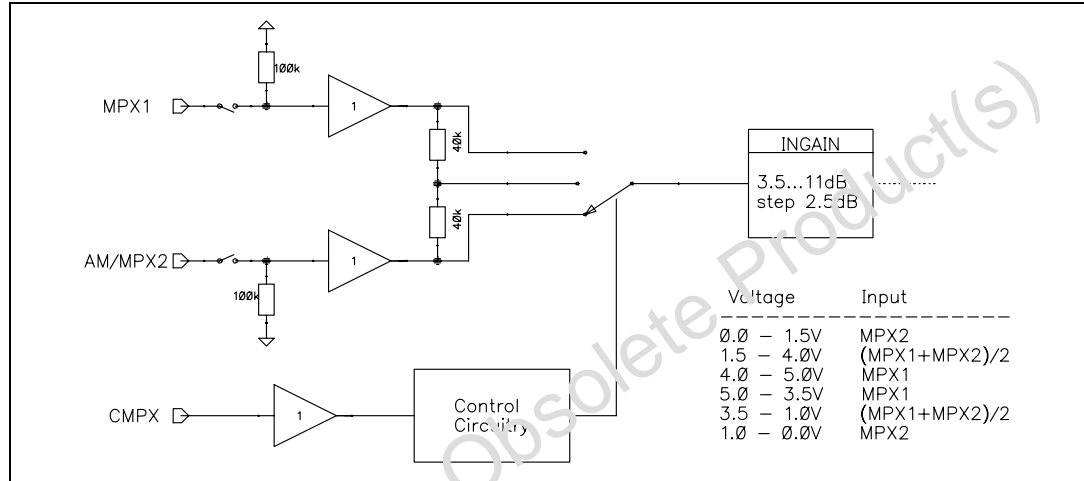
### 5.3 Dual MPX Usage

#### 0.0.1 Feature Description

The TDA7406 is able to support a twin tuner concept via the Dual-MPX-Mode. The DC-Voltage at the CMPX-pin controls whether one or both MPX-signals are used to decode the stereo FM-signal. Therefor two window-comparators with a characteristic as shown in [Figure 19](#) are implemented (Please note that the thresholds have a hysteresis of 500mV).

In this mode the stereodecoder high impedance-mute mutes both inputs in parallel.

**Figure 19. Block diagram Dual MPX**



## 6 Noise blanker part

### 6.1 Features:

- AM and FM mode
- internal 2nd order 140kHz high-pass filter for MPX path
- internal rectifier and filters for AM-IF path
- programmable trigger thresholds
- trigger threshold dependent on high frequency noise with programmable gain
- additional circuits for deviation- and fieldstrength-dependent trigger adjustment
- 4 selectable pulse suppression times for each mode
- programmable noise rectifier charge/discharge current

### 6.2 Noise blanker electrical characteristics

**Table 6. Noise blanker electrical characteristics**  
All parameters measured in FM mode if not otherwise specified.

Symbol	Parameter	Test conditions		Min.	Typ.	Max.	Unit
$V_{TR}$	Trigger Threshold <sup>(1)</sup>	meas. with $V_{PEAK}=0.9V$	111		30		$mV_{OP}$
			110		35		$mV_{OP}$
			101		40		$mV_{OP}$
			100		45		$mV_{OP}$
			011		50		$mV_{OP}$
			010		55		$mV_{OP}$
			001		60		$mV_{OP}$
			000		65		$mV_{OP}$
$V_{TRNOISE}$	noise controlled Trigger Threshold	meas. with $V_{PEAK}=1.5V$	00		260		$mV_{OP}$
			01		220		$mV_{OP}$
			10		180		$mV_{OP}$
			11		140		$mV_{OP}$
$V_{RECT}$	Rectifier Voltage	$V_{MPX}=0mV$		0.5	0.9	1.3	V
		$V_{MPX}=50mV, f=150kHz$		1.5	1.7	2.1	V
		$V_{MPX}=200mV, f=150kHz$		2	2.5	2.9	V
$V_{RECTDEV}$	Deviation dependent Rectifier Voltage	meas. with $V_{MPX}=500mV$ (75kHz dev.)	11	0.5	0.9 (off)	1.3	$V_{OP}$
			10	0.9	1.2	1.5	$V_{OP}$
			01	1.7	2.0	2.3	$V_{OP}$
			00	2.5	2.8	3.1	$V_{OP}$

**Table 6. Noise blanker electrical characteristics (continued)**  
**All parameters measured in FM mode if not otherwise specified.**

Symbol	Parameter	Test conditions		Min.	Typ.	Max.	Unit
V <sub>RECTFS</sub>	Fieldstrength controlled Rectifier Voltage	meas.with V <sub>MPX</sub> =0mV, V <sub>LEVEL</sub> << V <sub>SBL</sub> (fully mono)	11	0.5	0.9 (off)	1.3	V
			10	0.9	1.4	1.5	V
			01	1.7	1.9	2.3	V
			00	2.1	2.4	3.1	V
T <sub>SFM</sub>	Suppression Pulse Duration FM	Signal HOLDN in Testmode	00		38		µs
			01		25.5		µs
			10		32		µs
			11		22		µs
T <sub>SAM</sub>	Suppression Pulse Duration AM	Signal HOLDN in Testmode	00		1.2		ms
			01		800		µs
			10		1.0		ms
			11		640		µs
V <sub>RECTADJ</sub>	Noise rectifier discharge adjustment	Signal PEAK in Testmode	00		0.3		V/ms
			01		0.8		
			10		1.3		
			11		2.0		
SR <sub>PEAK</sub>	Noise rectifier charge	Signal PEAK in Testmode	0		10		mV/µs
			1		20		
V <sub>ADJMP</sub>	Noise rectifier adjustment through Multipath	Signal PEAK in Testmode	00		0.3		V/ms
			01		0.5		
			10		0.7		
			11		0.9		
R <sub>AMIF</sub>	AM IF Input resistance			35	50	65	kΩ
G <sub>AMIF,min</sub>	min. gain AM IF	Signal AM-RECTIFIER in Testmode			6		dB
G <sub>AMIF,max</sub>	max. gain AM IF				20		dB
G <sub>AMIF,step</sub>	step gain AM IF				2		dB
f <sub>AMIF,min</sub>	min. f <sub>c</sub> AM IF	Signal AM-RECTIFIER in Testmode			14		kHz
f <sub>AMIF,max</sub>	max. f <sub>c</sub> AM IF				56		kHz

1. All thresholds are measured using a pulse with T<sub>R</sub> = 2 µs, T<sub>HIGH</sub> = 2 µs and T<sub>F</sub> = 10 µs. The repetition rate must not increase the PEAK voltage.

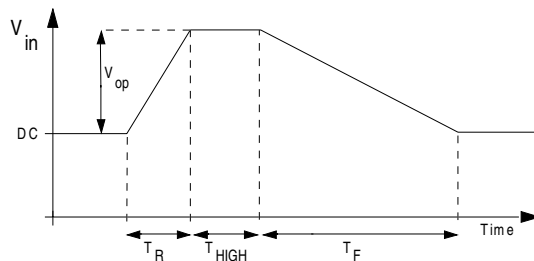




Figure 20. Trigger Threshold vs.  $V_{PEAK}$

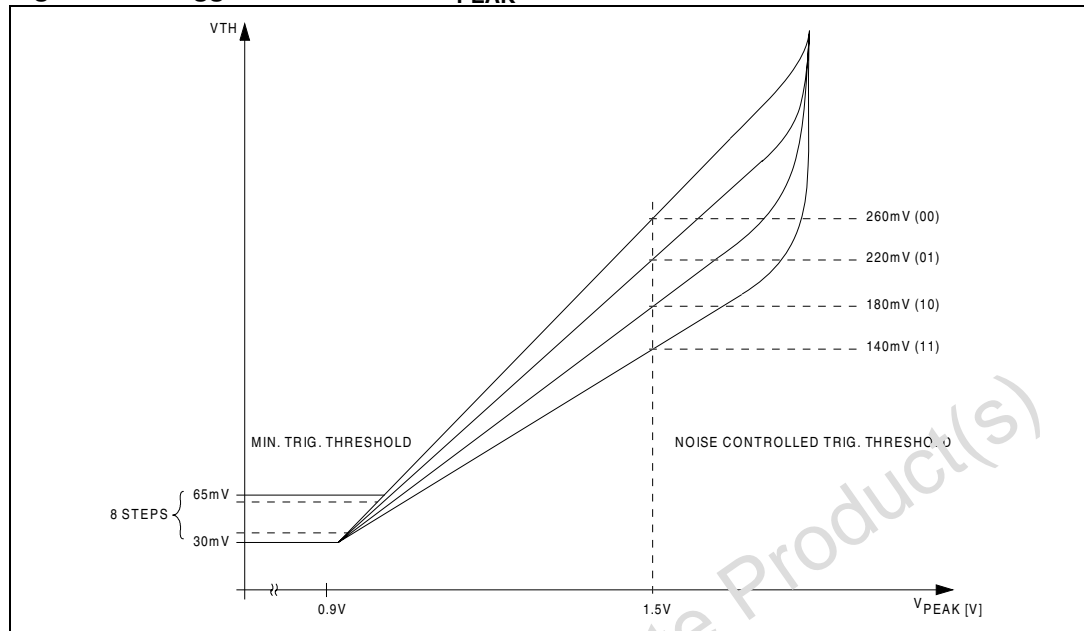


Figure 21. Deviation Controlled Trigger Adjustment

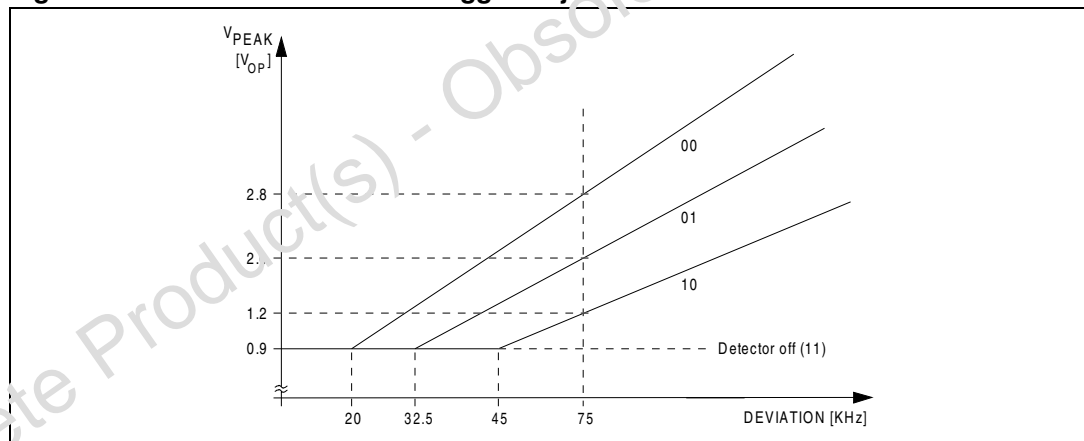
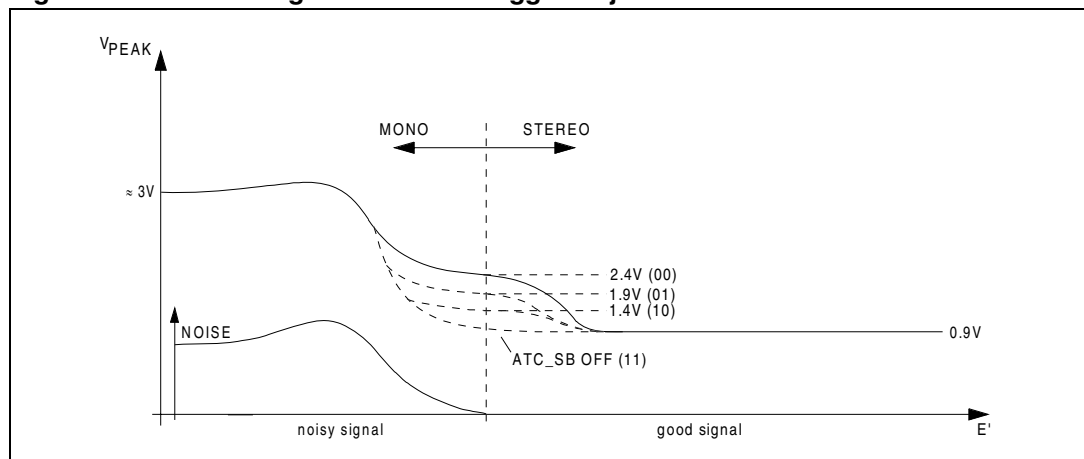


Figure 22. Fieldstrength Controlled Trigger Adjustment



## 7 Multipath detector

### 7.1 Features:

- internal 19kHz band-pass filter
- programmable band-pass- and rectifier-gain
- selectable internal influence on Stereoblend and/or Highcut

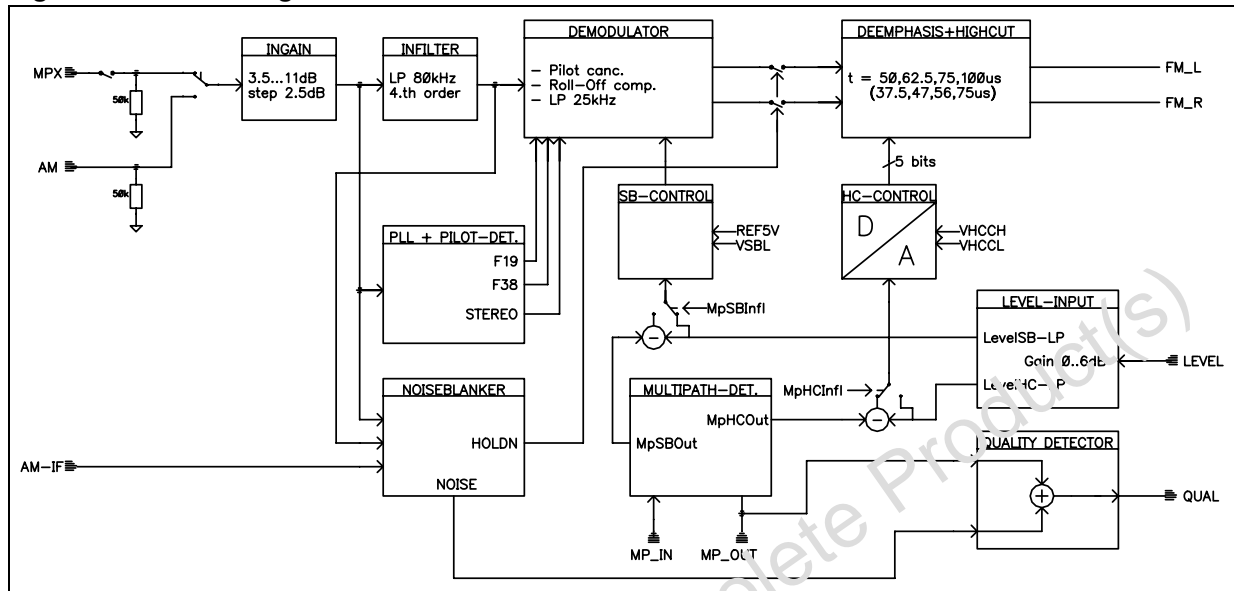
### 7.2 Multipath detector electrical characteristics

Table 7. Multipath detector electrical characteristics

Symbol	Parameter	Test Conditions		Min.	Typ.	Max.	Unit
$f_{CMP}$	Center frequency of Multipath-Bandpass	stereodecoder locked on Pilot tone			19		kHz
$G_{BPMP}$	Bandpass Gain	G1			6		dB
		G2			12		dB
		G3			16		dB
		G4			18		dB
$G_{RECTMP}$	Rectifier Gain	G1			7.6		dB
		G2			4.6		dB
		G3			0		dB
$I_{CHMP}$	Rectifier Charge Current				0.25 0.5		$\mu A$
$I_{DISMP}$	Rectifier Discharge Current				4		mA
<b>Quality Detector</b>							
A	Multipath Influence Factor		00		0.70		
			01		0.85		
			10		1.00		
			11		1.15		

## 8 Functional Description of Stereodecoder

Figure 23. Block diagram of the stereodecoder



The stereodecoder-part of the TDA7406 (see Fig. 25) contains all functions necessary to demodulate the MPX-signal like pilot tone-dependent MONO/STEREO-switching as well as “stereoblend” and “highcut”. Adaptations like programmable input gain, roll-off compensation, selectable de-emphasis time constant and a programmable field strength input allow to use different IF-devices.

### 8.1 Stereodecoder-Mute

The TDA7406 has a fast and easy to control RDS-Mute function which is a combination of the audioprocessor's SoftMute and the high-ohmic mute of the stereodecoder. If the stereodecoder is selected and a SoftMute command is sent (or activated through the SM-pin) the stereodecoder will be set automatically to the high-ohmic mute condition after the audio-signal has been soft muted. Hence a checking of alternate frequencies could be performed. Additionally the PLL can be set to “Hold”-mode, which disables the PLL input during the mute time. To release the system from the mute condition simply the unmute-command must be sent: the stereodecoder is unmuted immediately and the audioprocessor is softly unmuted. [Figure 28](#) shows the output-signal  $V_O$  as well as the internal stereodecoder mute signal. This influence of SoftMute on the stereodecoder mute can be switched off by setting bit 3 of the SoftMute byte to “0”. A stereodecoder mute command (bit 0, stereodecoder byte set to “1”) will set the stereodecoder **in any case** independently to the high-ohmic mute state.

If any other source than the stereodecoder is selected the decoder remains muted and the MPX-pin is connected to  $V_{ref}$  to avoid any discharge of the coupling capacitor through leakage currents. No further mute command should be applied.

Figure 24. Signals during stereodecoder's SoftMute

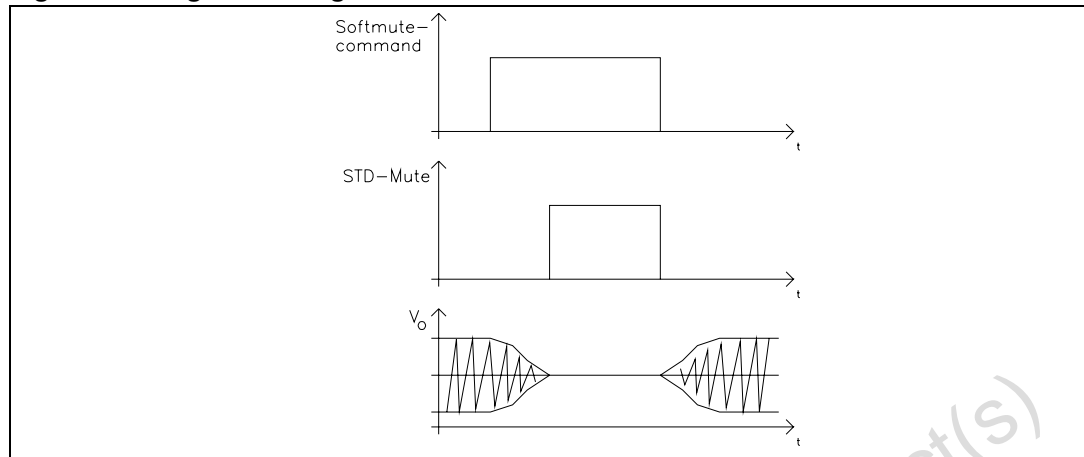
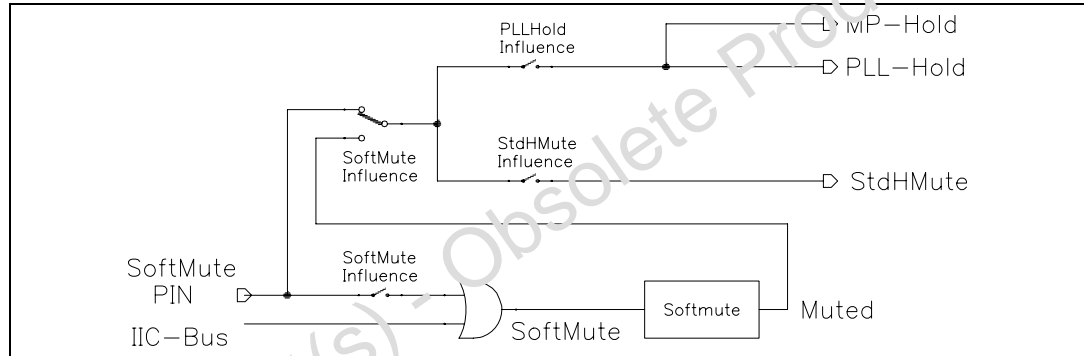


Figure 25. Signal-Control via SoftMute-Pin



## 8.2 InGain + InFilter

The InGain stage allows to adjust the MPX-signal to an internal magnitude of about  $1V_{rms}$  which is the recommended value. The 4.th order input filter has a corner frequency of 80kHz and is used to attenuate spikes and noise and acts as an anti-aliasing filter for the following switch capacitor filters.

## 8.3 Demodulator

In the demodulator block the left and the right channel are separated from the MPX-signal. In this stage also the 19-kHz pilot tone is cancelled. For reaching a high channel separation the TDA7406 offers an I<sup>2</sup>C-bus programmable roll-off adjustment which is able to compensate the lowpass behavior of the tuner section. If the tuner's attenuation at 38kHz is in a range from 7.2% to 31.0% the TDA7406 needs no external network in front of the MPX-pin. Within this range an adjustment to obtain at least 40dB channel separation is possible. The bits for this adjustment are located together with the fieldstrength adjustment in one byte. This gives the possibility to perform an optimization step during the production of the car radio where the channel separation and the fieldstrength control are trimmed. The setup of the Stereoblend characteristics which is programmable in a wide range is described in [Section 8.8](#).

## 8.4 De-emphasis and Highcut

The de-emphasis-lowpass allows to choose a time constant between 37.5 and 100 $\mu$ s. The highcut control range will be  $2 \times \tau_{Deemp}$  or  $2.7 \times \tau_{Deemp}$  dependent on the selected time constant (see programming section). The bit D7 of the highcut-byte will shift time constant and range.

Inside the highcut control range (between VHCH and VHCL) the LEVEL signal is converted into a 5 bit word which controls the lowpass time constant between  $\tau_{Deemp} \dots 3 (3.7) \times \tau_{Deemp}$ . Thereby the resolution will remain always 5 bits independently of the absolute voltage range between the VHCH- and VHCL-values. In addition the maximum attenuation can be fixed between 2 and 10dB.

The highcut function can be switched off by I<sup>2</sup>C-bus (bit D7, Highcut byte set to "0").

The setup of the highcut characteristics is described in [Section 8.9](#).

## 8.5 PLL and Pilot tone-Detector

The PLL has the task to lock on the 19kHz pilot tone during a stereo-transmission to allow a correct demodulation. The included pilot tone-detector enables the demodulation if the pilot tone reaches the selected pilot tone threshold  $V_{PTHST}$ . Two different thresholds are available. The detector output (signal STEREO, see Block diagram) can be checked by reading the status byte of the TDA7406 via I<sup>2</sup>C-bus. During a Softmute the PLL can be set into "Hold"-mode which freezes the PLL's state (bit D<sub>4</sub>, Softmute byte). After releasing the Softmute the PLL will again follow the input signal only by correcting the phase error.

## 8.6 Fieldstrength Control

The fieldstrength input is used to control the highcut- and the stereoblend-function. In addition the signal can be also used to control the noiseblanker thresholds and as input for the multipath detector. These additional functions are described in sections 5.3 and 6.

## 8.7 LEVEL-Input and -Gain

To suppress undesired high frequency modulation on the highcut- and stereoblend-control signal the LEVEL signal is lowpass filtered firstly. The filter is a combination of a 1.st-order RC-lowpass at 53kHz (working as anti-aliasing filter) and a 1.st-order switched-capacitor-lowpass at 2.2kHz. The second stage is a programmable gain stage to adapt the LEVEL signal internally to different IF-devices (see Testmode section 5: LEVELHCC). The gain is widely programmable in 16 steps from 0dB to 6dB (step=0.4dB). These 4 bits are located together with the Roll-Off bits in the "Stereodecoder-Adjustment"-byte to simplify a possible adjustment during the production of the car radio. This signal controls directly the Highcut stage whereas the signal is filtered again (fc=100Hz) before the stereoblend stage (see [Figure 26](#)).

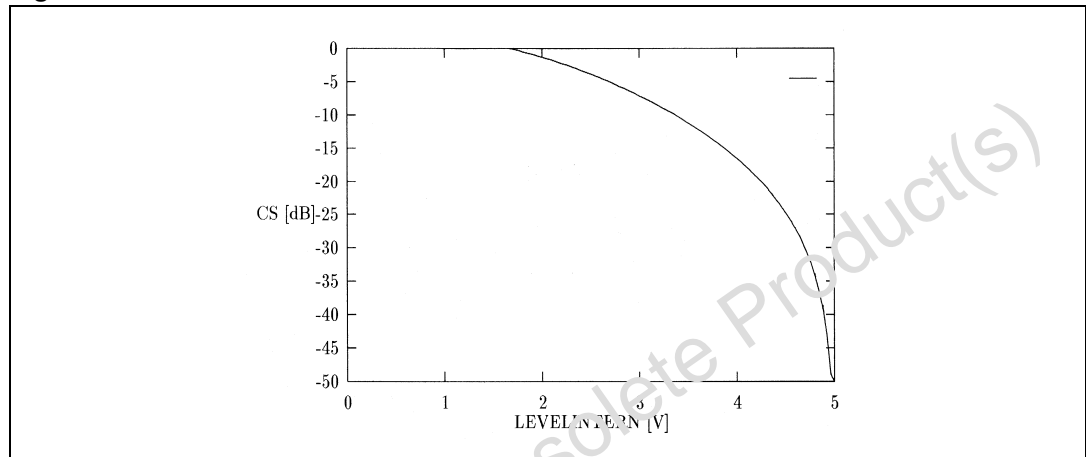
## 8.8 Stereoblend Control

The stereoblend control block converts the internal LEVEL-voltage (LEVELSB) into an demodulator compatible analog signal which is used to control the channel separation

between 0dB and the maximum separation. Internally this control range has a fixed upper limit which is the internal reference voltage REF5V. The lower limit can be programmed between 20 and 70% of REF5V in 3.3% steps (see figs.26, 27).

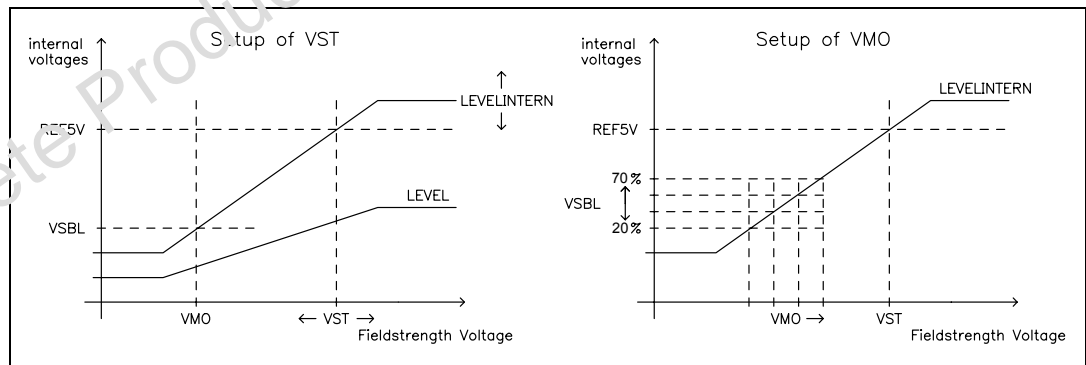
To adjust the external LEVEL-voltage to the internal range two values must be defined: the LEVEL gain LG and VSBL (see Figure 27). At the point of full channel separation the external level signal has to be amplified so that internally it becomes equal to REF5V. The second point (e.g. 10dB channel sep.) is then adjusted with the VSBL voltage.

**Figure 26. Internal stereoblend characteristics**



The gain can be programmed through 4 bits in the “Stereodecoder-Adjustment”-byte. All necessary internal reference voltages like REF5V are derived from a bandgap circuit. Therefore they have a temperature coefficient near zero.

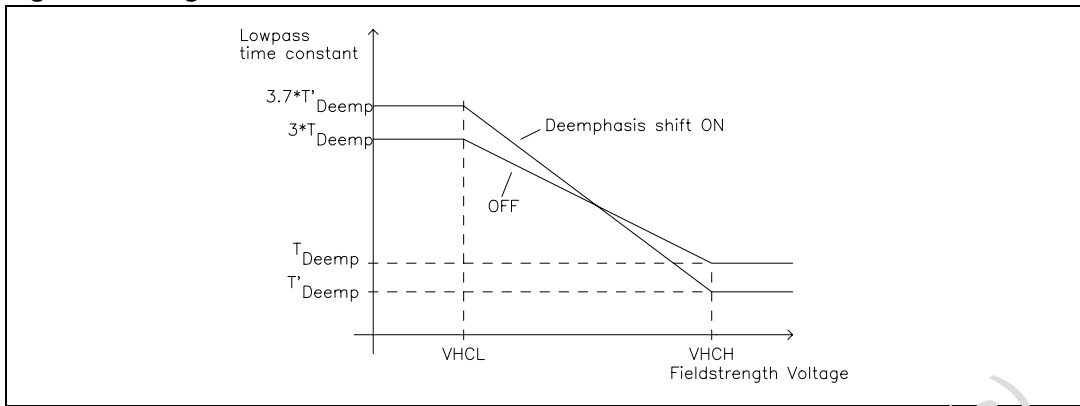
**Figure 27. Relation between internal and external LEVEL-voltages for setup of Stereoblend**



### 8.9 Highcut Control

The highcut control set-up is similar to the stereoblend control set-up: the starting point VHCH can be set with 2 bits to be 42, 50, 58 or 66% of REF5V whereas the range can be set to be 17, 22, 28 or 33% of VHCH (see Figure 28).

Figure 28. Highcut characteristics

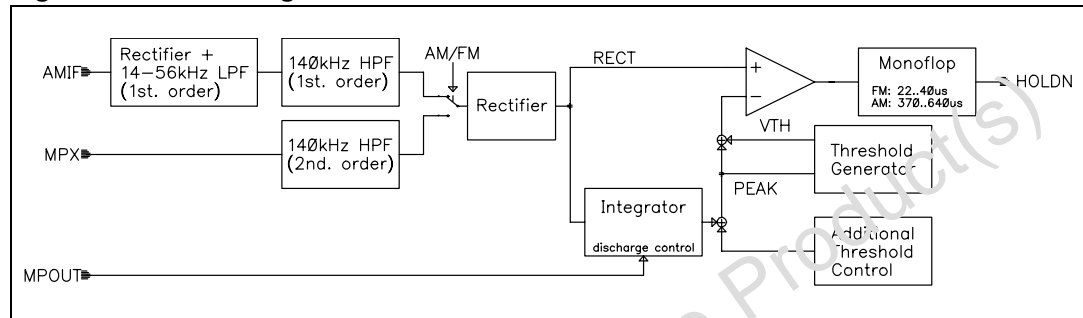


Obsolete Product(s) - Obsolete Product(s)

## 9 Functional description of the noiseblanker

In the automotive environment the MPX-signal as well as the AM-signal is disturbed by spikes produced by the ignition and other radiating sources like the wiper-motor. The aim of the noiseblanker part is to cancel the audible influence of the spikes. Therefore the output of the stereodecoder is held at the actual voltage for a time between 22 and 38 $\mu$ s in FM (370 and 645 $\mu$ s in AM-mode). The block diagram of the noiseblanker is given in [Figure 29](#).

**Figure 29. Block diagram of the noiseblanker**



In a first stage the spikes must be detected but to avoid a wrong triggering on high frequency (white) noise a complex trigger control is implemented. Behind the trigger stage a pulse former generates the “blanking”-pulse.

### 9.1 Trigger Path FM

The incoming MPX signal is highpass-filtered, amplified and rectified. This second order highpass-filter has a corner frequency of 140kHz. The rectified signal, RECT, is integrated (lowpass filtered) to generate a signal called PEAK. The DC-charge/discharge behavior can be adjusted as well as the transient behavior (MP-discharge control). Also noise with a frequency 140kHz increases the PEAK voltage. The PEAK voltage is fed to a threshold generator, which adds to the PEAK-voltage a DC-dependent threshold VTH. Both signals, RECT and PEAK+VTH are fed to a comparator which triggers a re-triggerable flip-flop. The flip flop's output activates the sample-and-hold circuits in the signal path for the selected duration.

### 9.2 Noise Controlled Threshold Adjustment (NCT)

There are mainly two independent possibilities for programming the trigger threshold:

1. the low threshold in 8 steps (bits D1 to D3 of the noiseblanker-byte I)
2. and the noise adjusted threshold in 4 steps (bits D4 and D5 of the noiseblanker-byte I, see [Figure 20](#)).

The low threshold is active in combination with a good MPX signal without noise; the PEAK voltage is less than 1V. The sensitivity in this operation is high.

If the MPX signal is noisy (low fieldstrength) the PEAK voltage increases due to the higher noise, which is also rectified. With increasing of the PEAK voltage the trigger threshold increases, too. This gain is programmable in 4 steps (see [Figure 22](#)).



## 9.3 Additional Threshold Control Mechanism

### 9.3.1 Automatic Threshold Control by the Stereoblend voltage

Besides the noise controlled threshold adjustment there is an additional possibility for influencing the trigger threshold which depends on the stereoblend control.

The point where the MPX signal starts to become noisy is fixed by the RF part. Therefore also the starting point of the normal noise-controlled trigger adjustment is fixed (fig. 20). In some cases the behavior of the noiseblanker can be improved by increasing the threshold even in a region of higher fieldstrength. Sometimes a wrong triggering occurs for the MPX signal often shows distortion in this range which can be avoided even if using a low threshold. Because of the overlap of this range and the range of the stereo/mono transition it can be controlled by stereoblend. This increase of the threshold is programmable in 3 steps or switched off.

### 9.3.2 Over Deviation Detector

If the system is tuned to stations with a high deviation the noiseblanker can trigger on the higher frequencies of the modulation or distortion. To avoid this behavior, which causes audible noise in the output signal, the noiseblanker offers a deviation-dependent threshold adjustment. By rectifying the MPX signal a further signal representing the actual deviation is obtained. It is used to increase the PEAK voltage. Offset and gain of this circuit are programmable in 3 steps with the bits D6 and D7 of the noiseblanker-byte I (bit combination '00' turns off the detector, see [Figure 21](#)).

### 9.3.3 Multipath-Level

To react on high repetitive spikes caused by a Multipath-situation, the discharge-time of the PEAK voltage can be decreased depending on the voltage-level at pin MP<sub>out</sub>. The TDA7406 offers a linear as well as a threshold driven control. The linear influence of the Multipath-Level on the PEAK-signal (D<sub>7</sub> of Multipath-Control-Byte) gives a discharge slewrate of 1V/ms<sup>1</sup>. The second possibility is to activate the threshold driven discharge which switches on the 15kOhm discharge if the Multipath-Level is below 2.5V (D7 of noiseblanker-byte II-byte).

<sup>1</sup> The slewrate is measured with R<sub>Discharge</sub>=infinite and V<sub>MPout</sub>=2.5V

### 9.3.4 AM mode of the Noiseblanker

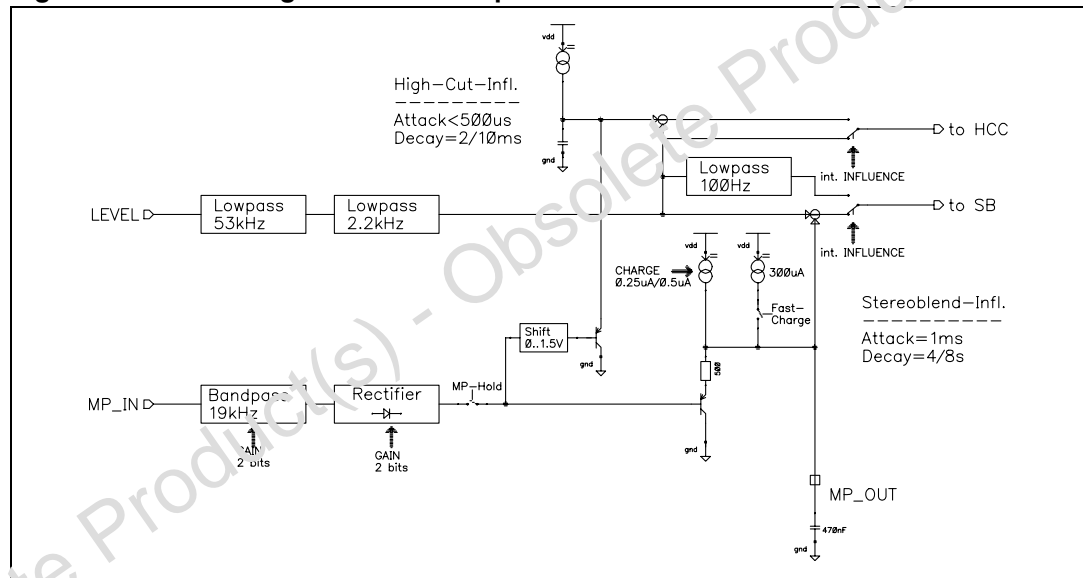
The TDA7406 noiseblanker is also suitable for AM noise cancelling. The detector uses in AM mode the 450kHz unfiltered IF-output of the tuner for spike detection. A combination of programmable gain-stage and lowpass-filter forms an envelope detector which drives the noiseblanker's input via a 120kHz 1.st order highpass. In order to blank the whole spike in AM mode the hold-times of the sample and hold circuit are much longer than in FM (640μs to 1.2ms). All threshold controls can be used like in FM mode.

# 10 Functional description of the multipath-detector

Using the Multipath-Detector the audible effects of a multipath condition can be minimized. A multipath-condition is detected by rectifying the spectrum around 19kHz in the fieldstrength signal. An external capacitor is used to define the attack- and decay-times for the Stereoblend (see block diagram, fig. 32). Due to the very small charge currents this capacitor should be a low leakage current type (e.g ceramic). Using this configuration an adaptation to the user's requirement is possible without effecting the "normal" fieldstrength input (LEVEL) for the stereodecoder. This application is given in fig. 28. Another (internal) time constant is used to control the Highcut through the multipath detector

Selecting the "internal influence" in the configuration byte the Stereo-Blend and/or the Highcut is automatically invoked during a multipath condition according to the voltage appearing at the MP\_OUT-pin.

**Figure 30. Block diagram of the Multipath-Detector**



## 11 Quality detector

The TDA7406 offers a quality detector output which gives a voltage representing the FM-reception conditions. To calculate this voltage the MPX-noise and the multipath-detector output are summed according to the following formula:

$$V_{Qual} = 1.6 (V_{Noise} - 0.8 \text{ V}) + a (\text{REF5V} - V_{Mpout}).$$

The noise-signal is the PEAK-signal without additional influences (see noiseblanker description). The factor 'a' can be programmed from 0.7 to 1.15. The output is a low impedance output able to drive external circuitry as well as simply fed to an AD-converter for RDS applications.

Obsolete Product(s) - Obsolete Product(s)

## 12 Testmode

During the Testmode, which can be activated by setting bit I2 of the subaddress byte and bit D1 of the stereodecoder testing-byte, several internal signals are available at the FD2R+ pin. During this mode the input resistance of 100kOhm is disconnected from the pin. The internal signals available are shown in the Data-byte specification

Obsolete Product(s) - Obsolete Product(s)



### 13.2 Subaddress (receive mode)

Table 8. Subaddress (receive mode)

MSB			LSB					FUNCTION
I <sub>2</sub>	I <sub>1</sub>	I <sub>0</sub>	A <sub>4</sub>	A <sub>3</sub>	A <sub>2</sub>	A <sub>1</sub>	A <sub>0</sub>	
0								<b>Audioprocessor Testmode</b> off
1								on
	0							<b>AutoZero Remain</b> off
	1							on
		0						<b>Auto-Increment Mode</b> off
		1						on
			0	0	0	0	0	<b>Subaddress</b> Source Selector
			0	0	0	0	1	Loudness
			0	0	0	1	0	Volume
			0	0	0	1	1	EQ Filter 1 (62/100Hz)
			0	1	0	0	0	EQ Filter 2 (157Hz)
			0	0	1	0	1	EQ Filter 3 (396Hz)
			0	0	1	1	0	EQ Filter 4 (1kHz)
			0	0	1	1	1	EQ Filter 5 (2.51kHz)
			0	1	0	0	0	EQ Filter 6 (4/6.34kHz)
			0	1	0	0	1	EQ Filter 7 (15/16kHz)
			0	1	0	1	0	Mixing Programming
			0	1	0	1	1	SoftMute
			0	1	1	0	0	Subwoofer / Spectrum analyzer / HighPass
			0	1	1	0	1	Configuration Audioprocessor I
			0	1	1	1	0	Configuration Audioprocessor II
			0	1	1	1	1	Speaker attenuator LF
			1	0	0	0	0	Speaker attenuator RF
			1	0	0	0	1	Speaker attenuator LR
			1	0	0	1	0	Speaker attenuator RR
			1	0	0	1	1	Subwoofer attenuator
			1	0	1	0	0	Mixing Level Control
			1	0	1	0	1	Testing Audioprocessor
			1	0	1	1	0	Stereodecoder
			1	0	1	1	1	Noise-Blanker I
			1	1	0	0	0	Noise-Blanker II
			1	1	0	0	1	AM / AM-Noiseblanker
			1	1	0	1	0	High-Cut Control
			1	1	0	1	1	Fieldstrength & Quality
			1	1	1	0	0	Multipath-Detector
			1	1	1	0	1	Stereodecoder Adjustment
			1	1	1	1	0	Configuration Stereodecoder
			1	1	1	1	1	Testing Sterodecoder

### 13.3 Data byte specification

The status after Power-On-Reset is marked bold-face / underlined in the programming tables.

**Table 9. Input Selector (0)**

MSB				LSB				FUNCTION
D <sub>7</sub>	D <sub>6</sub>	D <sub>5</sub>	D <sub>4</sub>	D <sub>3</sub>	D <sub>2</sub>	D <sub>1</sub>	D <sub>0</sub>	
								<b>Source Selector</b>
					0	0	0	CDC/PD
					0	0	1	CD
					0	1	0	MD
					0	1	1	Tape
					1	0	0	Phone
					1	0	1	Navi
					1	1	0	<u>Tuner</u>
					1	1	1	TIM
								<b>Input Gain</b>
	0	0	0	0				0dB
	0	0	0	1				1dB
	:	:	:	:				:
	1	1	1	0				14dB
	1	1	1	1				<u>15dB</u>
								<b>Mute</b>
0								off
1								<u>on</u>

**Table 10. Loudness (1)**

MSB				LSB				FUNCTION
D <sub>7</sub>	D <sub>6</sub>	D <sub>5</sub>	D <sub>4</sub>	D <sub>3</sub>	D <sub>2</sub>	D <sub>1</sub>	D <sub>0</sub>	
								<b>Attenuation</b>
			0	0	0	0	0	0 dB
			0	0	0	0	1	-1 dB
			:	:	:	:	:	:
			0	1	1	1	0	-14 dB
			0	1	1	1	1	-15 dB
			:	:	:	:	:	:
			1	0	0	1	1	-19 dB
			:	:	:	:	:	not allowed
								<b>Center Frequency</b>
	0	0						200Hz
	0	1						400Hz
	1	0						600Hz
	1	1						<u>800Hz</u>
								<b>Loudness Order</b>
0								First Order
1								<u>Second Order</u>

**Table 11. Volume (2)**

MSB				LSB				ATTENUATION
D <sub>7</sub>	D <sub>6</sub>	D <sub>5</sub>	D <sub>4</sub>	D <sub>3</sub>	D <sub>2</sub>	D <sub>1</sub>	D <sub>0</sub>	
0	0	0	0	0	0	0	0	<b>Gain/Attenuation</b>
0	0	0	0	0	0	0	1	(+32.0dB)
:	:	:	:	:	:	:	:	(+31.5dB)
0	0	0	1	1	0	0	0	:
0	0	0	1	1	0	0	1	+20.0dB
0	0	0	1	1	0	1	0	+19.5dB
:	:	:	:	:	:	:	:	+19.0dB
0	0	1	1	1	1	1	1	:
0	1	0	0	0	0	0	0	+0.5dB
0	1	0	0	0	0	0	1	0.0dB
:	:	:	:	:	:	:	:	-0.5dB
1	1	0	1	1	1	1	0	:
1	1	0	1	1	1	1	1	<u>-79.0dB</u>
								-79.5dB

*Note:* It is not recommended to use a gain more than 20dB for system performance reason. In general, the max. gain should be limited by software to the maximum value, which is needed for the system.

**Table 12. Equalizer (3,4,5,6,7,8,9)**

MSB				LSB				FUNCTION
D <sub>7</sub>	D <sub>6</sub>	D <sub>5</sub>	D <sub>4</sub>	D <sub>3</sub>	D <sub>2</sub>	D <sub>1</sub>	D <sub>0</sub>	
			0	0	0	0	0	<b>Equalizer cut/boost level</b>
			0	0	0	0	1	-15dB
			:	:	:	:	:	-14dB
			0	1	1	1	0	:
			0	1	1	1	1	-1dB
			1	1	1	1	1	0dB
			1	1	1	1	0	0dB
			:	:	:	:	:	<u>+1dB</u>
			1	0	0	0	1	:
			1	0	0	0	0	+14dB
								+15dB
	0	0						<b>Equalizer Q-Factor</b>
	0	1						2.2
	1	0						1.8
	1	1						1.4
								<u>1.0</u>
0								<b>Equalizer Center Frequency (only Subaddresses 3,8,9)</b>
1								62Hz(addr 3)/4kHz(addr 8)/15kHz(addr 9)
								<u>100Hz(addr 3)/6.24kHz(addr 8)/16kHz(addr 9)</u>
0								<b>DC mode EQ Band 1 (62/100 Hz, Subaddress. 4!)</b>
1								on
								<u>off</u>



Table 13. Mixing Programming (10)

MSB							LSB	FUNCTION
D <sub>7</sub>	D <sub>6</sub>	D <sub>5</sub>	D <sub>4</sub>	D <sub>3</sub>	D <sub>2</sub>	D <sub>1</sub>	D <sub>0</sub>	
							0	<b>Mixing Mute</b> enable
					0	0		<b>Mixing Source</b> Beep
					0	1		Phone
					1	0		Navi
					1	1		Tuner / TIM
				0				<b>Mixing Target</b> Speaker LF off
				1				Speaker LF on
			0					Speaker RF off
			1					Speaker RF on
	0	0						Speaker LR off
	1	1						Speaker LR on
								Speaker FR off
								Speaker FR on
1								must be "1"

Table 14. SoftMute (11)

MSB							LSB	FUNCTION
D <sub>7</sub>	D <sub>6</sub>	D <sub>5</sub>	D <sub>4</sub>	D <sub>3</sub>	D <sub>2</sub>	D <sub>1</sub>	D <sub>0</sub>	
							0	<b>SoftMute</b> On (Mute)
							1	Off
					0	0		<b>SoftMute Time</b> Mute time = 0.48ms
					0	1		Mute time = 0.96ms
					1	0		Mute time = 123ms
					1	1		Mute time = 324 ms
				0				<b>Influence on Stereodecoder Highohmic-Mute</b> on
				1				off
			0					<b>Influence on Pilot-detector Hold and MP-Hold</b> on
			1					off
		0						<b>Influence on SoftMute</b> on
		1						off
0	0							<b>Beep Frequencies</b> 600 Hz
0	1							780 Hz
1	0							1.56 kHz
1	1							2.4 kHz

**Table 15. Subwoofer Configuration / Spectrum Analyzer / HighPass (12)**

MSB							LSB		FUNCTION
D <sub>7</sub>	D <sub>6</sub>	D <sub>5</sub>	D <sub>4</sub>	D <sub>3</sub>	D <sub>2</sub>	D <sub>1</sub>	D <sub>0</sub>		
						0	0	<b>Subwoofer Filter</b> off	
						0	1	80Hz	
						1	0	120Hz	
						1	1	160Hz	
				0	0			<b>Subwoofer Coupling</b> AC using SW <sub>In</sub> pin	
				0	1			AC using Mix <sub>InR</sub> pins	
				1	0			AC using SW <sub>In</sub> pin	
				1	1			DC	
			0					<b>Spectrum Analyzer Q-factor</b> 3.5	
			1					1.8	
		0						<b>High Pass Enable</b> Filter off	
		1						Filter on	
0	0							<b>High Pass Cut-Off-Frequency</b> 90Hz	
0	1							135Hz	
1	0							180Hz	
1	1							215Hz	

**Table 16. Configuration Audioprocessor I (13)**

MSB							LSB		FUNCTION
D <sub>7</sub>	D <sub>6</sub>	D <sub>5</sub>	D <sub>4</sub>	D <sub>3</sub>	D <sub>2</sub>	D <sub>1</sub>	D <sub>0</sub>		
							0	<b>CDC Input Mode</b> single ended	
							1	pseudo differential	
						0		<b>CDC Input Gain</b> -6 dB	
						1		0 dB	
					0			<b>SoftStep Volume</b> off	
					1			on	
			0	0				<b>SoftStep Time</b> 320µs	
			0	1				1.28ms	
			1	0				5.12ms	
			1	1				20.4ms	

Table 16. Configuration Audioprocessor I (13) (continued)

MSB							LSB	FUNCTION
D <sub>7</sub>	D <sub>6</sub>	D <sub>5</sub>	D <sub>4</sub>	D <sub>3</sub>	D <sub>2</sub>	D <sub>1</sub>	D <sub>0</sub>	
		0 1						<b>Loudness</b> flat <u>filter ON</u>
	0 1							<b>Mixing Selector Tuner/TIM Switch</b> TIM <u>Tuner</u>
0 1								<b>Tuner Selection</b> AM <u>Stereodecoder</u>

Table 17. Configuration Audioprocessor II (14)

MSB							LSB	FUNCTION
D <sub>7</sub>	D <sub>6</sub>	D <sub>5</sub>	D <sub>4</sub>	D <sub>3</sub>	D <sub>2</sub>	D <sub>1</sub>	D <sub>0</sub>	
							0 1	<b>Pause Detector</b> off on
					0 0 1 1	0 1 0 1		<b>Pause ZC Window</b> 160mV 80mV 40mV <u>not allowed</u>
			0 0 1 1	0 1 0 1				<b>Front Speaker</b> Mixing AC <sub>In</sub> and Mix <sub>In</sub> AC coupling (Mix <sub>In</sub> ) AC coupling (AC <sub>In</sub> ) <u>DC coupling</u>
	0 0 1 1	0 1 0 1						<b>Rear Speaker</b> Mixing AC <sub>In</sub> and Mix <sub>In</sub> AC coupling (Mix <sub>In</sub> ) AC coupling (AC <sub>In</sub> ) <u>DC coupling</u>
1								<b>must be "1"</b>

**Table 18. Speaker and Subwoofer Level Control (15,16,17,18,19)**

MSB				LSB				ATTENUATION
D <sub>7</sub>	D <sub>6</sub>	D <sub>5</sub>	D <sub>4</sub>	D <sub>3</sub>	D <sub>2</sub>	D <sub>1</sub>	D <sub>0</sub>	
	0	0	0	1	1	1	1	<b>Gain/Attenuation</b> +15dB
	:	:	:	:	:	:	:	:
	0	0	0	0	0	0	1	+ 1dB
	0	0	0	0	0	0	0	0dB
	0	0	1	0	0	0	0	0dB
	0	0	1	0	0	0	1	- 1dB
	:	:	:	:	:	:	:	:
	0	1	0	0	0	0	0	-16dB
	:	:	:	:	:	:	:	:
	0	1	1	0	0	0	0	-32dB
	:	:	:	:	:	:	:	:
	1	0	0	0	0	0	0	-48dB
	:	:	:	:	:	:	:	:
	1	0	1	0	0	0	0	-64dB
	:	:	:	:	:	:	:	:
	1	0	1	1	1	1	1	-79dB
	1	1	X	X	X	X	X	Mute
0								<b>SoftStep On/Off</b> On
1								Off

**Table 19. Mixer Level Control (20)**

MSB				LSB				ATTENUATION
D <sub>7</sub>	D <sub>6</sub>	D <sub>5</sub>	D <sub>4</sub>	D <sub>3</sub>	D <sub>2</sub>	D <sub>1</sub>	D <sub>0</sub>	
	0	0	0	1	1	1	1	<b>Gain/Attenuation</b> +15dB
	:	:	:	:	:	:	:	:
1	0	0	0	0	0	0	1	+ 1dB
1	0	0	0	0	0	0	0	0dB
0	0	0	0	0	0	0	0	0dB
0	0	0	0	0	0	0	1	- 1dB
:	:	:	:	:	:	:	:	:
0	0	0	0	1	1	1	1	-15dB
0	0	0	1	0	0	0	0	-16dB
:	:	:	:	:	:	:	:	:
0	1	0	0	1	1	1	0	-78dB
0	1	0	0	1	1	1	1	-79dB
X	1	1	X	X	X	X	X	Mute

Table 20. Testing Audioprocessor (21)

MSB							LSB	FUNCTION
D <sub>7</sub>	D <sub>6</sub>	D <sub>5</sub>	D <sub>4</sub>	D <sub>3</sub>	D <sub>2</sub>	D <sub>1</sub>	D <sub>0</sub>	
							0 1	<b>Audioprocessor Testmode</b> off on
			0 1 0 1 0 1 X 0 1 X X X	0 0 0 0 0 0 0 1 1 1 1 1	0 0 0 0 1 1 0 0 0 0 1 1 1	0 0 1 1 0 0 1 0 0 1 0 1 1		<b>Test-Multiplexer</b> Spectrum Analyzer Filter 62Hz Spectrum Analyzer Filter 157Hz Spectrum Analyzer Filter 400Hz Spectrum Analyzer Filter 1kHz Spectrum Analyzer Filter 2.51kHz Spectrum Analyzer Filter 6.34kHz Spectrum Analyzer Filter 16kHz Not Allowed not used 200kHz Oscillator NB-Hold internal Reference
		0 1						<b>Clock</b> external internal
	0 1							<b>AZ Function</b> off on
0 1								<b>SC-Clock</b> Fast Mode Normal Mode

Note: This byte is used for testing or evaluation purposes only and must not set to other values than "1111110" in the application!

Table 21. Stereodecoder (22)

MSB							LSB	FUNCTION
D <sub>7</sub>	D <sub>6</sub>	D <sub>5</sub>	D <sub>4</sub>	D <sub>3</sub>	D <sub>2</sub>	D <sub>1</sub>	D <sub>0</sub>	
							0 1	STD Unmuted STD Muted
					0 0 1 1	0 1 0 1		IN-Gain 11dB IN-Gain 8.5dB IN-Gain 6dB IN-Gain 3.5dB
				0 1				Stereodecoder Input AM MPX

**Table 21. Stereodecoder (22) (continued)**

MSB				LSB				FUNCTION
D <sub>7</sub>	D <sub>6</sub>	D <sub>5</sub>	D <sub>4</sub>	D <sub>3</sub>	D <sub>2</sub>	D <sub>1</sub>	D <sub>0</sub>	
			0 1					Forced MONO <u>MONO/STEREO switch automatically</u>
		0 1						Pilot Threshold HIGH <u>Pilot Threshold LOW</u>
0 0 1 1	0 1 0 1							De-emphasis 50µs (37.5µs <sup>(1)</sup> ) De-emphasis 62.5µs (46.9µs <sup>(1)</sup> ) De-emphasis 75µs (56.3µs <sup>(1)</sup> ) <u>De-emphasis 100µs (75µs<sup>(1)</sup>)</u>

1. If De-emphasis-Shift enabled (Subaddr.26/Bit7 = 0)

**Table 22. Noiseblanker I (23)**

MSB				LSB				FUNCTION
D <sub>7</sub>	D <sub>6</sub>	D <sub>5</sub>	D <sub>4</sub>	D <sub>3</sub>	D <sub>2</sub>	D <sub>1</sub>	D <sub>0</sub>	
							0 1	Noiseblanker off Noiseblanker on
				0 0 0 0 1 1 1 1	0 0 1 1 0 0 1 1	0 1 0 1 0 1 0 1		Low Threshold 65mV Low Threshold 60mV Low Threshold 55mV Low Threshold 50mV Low Threshold 45mV Low Threshold 40mV Low Threshold 35mV <u>Low Threshold 30mV</u>
		0 0 1 1	0 1 0 1					Noise Controlled Threshold 320mV Noise Controlled Threshold 260mV Noise Controlled Threshold 200mV <u>Noise Controlled Threshold 140mV</u>
0 0 1 1	0 1 0 1							Over deviation Adjust 2.8V Over deviation Adjust 2.0V Over deviation Adjust 1.2V <u>Over deviation Detector OFF</u>

Table 23. Noiseblanker II (24)

MSB							LSB	FUNCTION
D <sub>7</sub>	D <sub>6</sub>	D <sub>5</sub>	D <sub>4</sub>	D <sub>3</sub>	D <sub>2</sub>	D <sub>1</sub>	D <sub>0</sub>	
							0	<b>PEAK charge current</b> low
							1	high
					0	0		<b>Fieldstrength adjust</b> 2.3V
					0	1		1.8V
					1	0		1.3V
					1	1		<b>OFF</b>
			0	0				<b>Blank Time FM / AM</b> 38μs / 1.2ms
			0	1				25.5μs / 800μs
			1	0				32μs / 1.0s
			1	1				22μs / 640μs
	0	0						<b>Noise Rectifier Discharge Resistor</b> R = infinite
	0	1						R <sub>DC</sub> = 53k
	1	0						R <sub>DC</sub> = 33k
	1	1						R <sub>DC</sub> = 18k
0								<b>Strong Multipath influence on PEAK 18k</b> off
1								on (18k discharge if V <sub>MPout</sub> ≤ 2.5V)

Table 24. AM / FM-Noiseblanker (25)

MSB							LSB	FUNCTION
D <sub>7</sub>	D <sub>6</sub>	D <sub>5</sub>	D <sub>4</sub>	D <sub>3</sub>	D <sub>2</sub>	D <sub>1</sub>	D <sub>0</sub>	
							0	<b>Stereodecoder Mode</b> FM
							1	AM
				0	0	0		<b>AM Rectifier Gain</b> 6dB
				0	0	1		8dB
				0	1	0		10dB
				0	1	1		12dB
				1	0	0		14dB
				1	0	1		16dB
				1	1	0		18dB
				1	1	1		20dB
		0	0					<b>Rectifier Cut-Off Frequency</b> 14.0kHz
		0	1					18.5kHz
		1	0					28.0kHz
		1	1					56.0kHz
1	1							must be "1"

Table 25. High-Cut (26)

MSB							LSB	FUNCTION
D <sub>7</sub>	D <sub>6</sub>	D <sub>5</sub>	D <sub>4</sub>	D <sub>3</sub>	D <sub>2</sub>	D <sub>1</sub>	D <sub>0</sub>	
							0 1	High-Cut off on
					0 0 1 1	0 1 0 1		max. High-Cut 2dB 5dB 7dB 10dB
			0 0 1 1	0 1 0 1				VHCH to be at 42% REF5V 50% REF5V 58% REF5V 66% REF5V
	0 0 1 1	0 1 0 1						VHCL to be at 16.7% VHCH 22.2% VHCH 27.8% VHCH 33.3% VHCH
0 1								De-emphasis Shift On Off



Table 26. Fieldstrength Control (27)

MSB				LSB				FUNCTION
D <sub>7</sub>	D <sub>6</sub>	D <sub>5</sub>	D <sub>4</sub>	D <sub>3</sub>	D <sub>2</sub>	D <sub>1</sub>	D <sub>0</sub>	
				0	0	0	0	<b>VSBL to be at</b> 20.0% REF5V
				0	0	0	1	23.3% REF5V
				0	0	1	0	26.6% REF5V
				0	0	1	1	30.0% REF5V
				0	1	0	0	33.3% REF5V
				0	1	0	1	36.6% REF5V
				0	1	1	0	40.0% REF5V
				0	1	1	1	43.3% REF5V
				1	0	0	0	46.6% REF5V
				1	0	0	1	50.0% REF5V
				1	0	1	0	53.3% REF5V
				1	0	1	1	56.6% REF5V
				1	1	0	0	60.0% REF5V
				1	1	0	1	63.3% REF5V
				1	1	1	0	66.6% REF5V
				1	1	1	1	70.0% REF5V
		0	0					<b>Quality Detector Coefficient</b> a=0.7
		0	1					a=0.85
		1	0					a=1.0
		1	1					a=1.15
0	0							<b>HCC-Level-Shift (only Level through MPD)</b> 0.0V
0	1							500mV
1	0							1.0 V
1	1							1.5 V

Table 27. Multipath Detector (28)

MSB				LSB				FUNCTION
D <sub>7</sub>	D <sub>6</sub>	D <sub>5</sub>	D <sub>4</sub>	D <sub>3</sub>	D <sub>2</sub>	D <sub>1</sub>	D <sub>0</sub>	
							0	Fast Load on
							1	off
					0	0		Bandpass Gain 6dB
					0	1		12dB
					1	0		16dB
					1	1		18dB

**Table 27. Multipath Detector (28) (continued)**

MSB							LSB	FUNCTION
D <sub>7</sub>	D <sub>6</sub>	D <sub>5</sub>	D <sub>4</sub>	D <sub>3</sub>	D <sub>2</sub>	D <sub>1</sub>	D <sub>0</sub>	
			0 0 1 1	0 1 0 1				Rectifier Gain Gain = 7.6dB Gain = 4.6dB Gain = 0dB disabled
		0 1						Charge Current at MP-Out 0.25µA 0.50µA
	0 1							Multipath on High-Cut Decay-Time 2ms 10ms
0 1								Multipath influence on FEAK Discharge off -1V/ms

**Table 28. Stereodecoder Adjustment (29)**

MSB							LSB	FUNCTION
D <sub>7</sub>	D <sub>6</sub>	D <sub>5</sub>	D <sub>4</sub>	D <sub>3</sub>	D <sub>2</sub>	D <sub>1</sub>	D <sub>0</sub>	
								<b>Roll-Off Compensation</b>
0					0	0	0	not allowed
0					0	0	1	7.2%
0					0	1	0	9.4%
:					:	:	:	:
0					1	0	0	13.7%
:					:	:	:	:
1					1	1	1	20.2%
1					0	0	0	not allowed
1					0	0	1	19.6%
1					0	1	0	21.5%
:					:	:	:	:
1					1	0	0	25.3%
:					:	:	:	:
1					1	1	1	31.0%
	0 0 0 : 1	0 0 0 : 1	0 0 1 : 1	0 1 0 : 1				<b>LEVEL Gain</b> 0dB 0.4dB 0.8dB : 6dB

**Table 29. Stereodecoder Configuration (30)**

MSB							LSB		FUNCTION
D <sub>7</sub>	D <sub>6</sub>	D <sub>5</sub>	D <sub>4</sub>	D <sub>3</sub>	D <sub>2</sub>	D <sub>1</sub>	D <sub>0</sub>		
							0 1	Multipath Influence on High-Cut On Off	
						0 1		Multipath Influence on Stereo-Blend On Off	
					0 1	1 x	1 x	Level-Input over Multipath-Detector <sup>(1)</sup> On Off	
					0 1			Dual MPX Mode On Off	
1	1	1	1					must be "1"	

1. Using the Multipath Time-Constants for Stereo-Bland and High-Cut

**Table 30. Testing Stereodecoder(31)**

MSB							LSB		FUNCTION
D <sub>7</sub>	D <sub>6</sub>	D <sub>5</sub>	D <sub>4</sub>	D <sub>3</sub>	D <sub>2</sub>	D <sub>1</sub>	D <sub>0</sub>		
							0 1	Main Testmode off on	
						0 1		Stereodecoder Testmode off on	
		0 0 0 0 0 0 0 0 0 1 1 1 1 1 1 1	0 0 0 0 1 0 1 1 0 0 0 1 1 0 1	0 0 1 1 0 1 1 0 0 0 1 0 1 0 1	0 1 0 1 0 0 0 1 0 0 1 0 1 0 1			Test signals F228 NB threshold Level for Stereo-Blend Pilot magnitude VHCLL Pilot threshold VHCCH REF5V HOLDN NB Peak AM-Rectifier VCOCON; VCO Control Voltage VSBL Pilot threshold Level for High-Cut REF5V	

**Table 30. Testing Stereodecoder(31) (continued)**

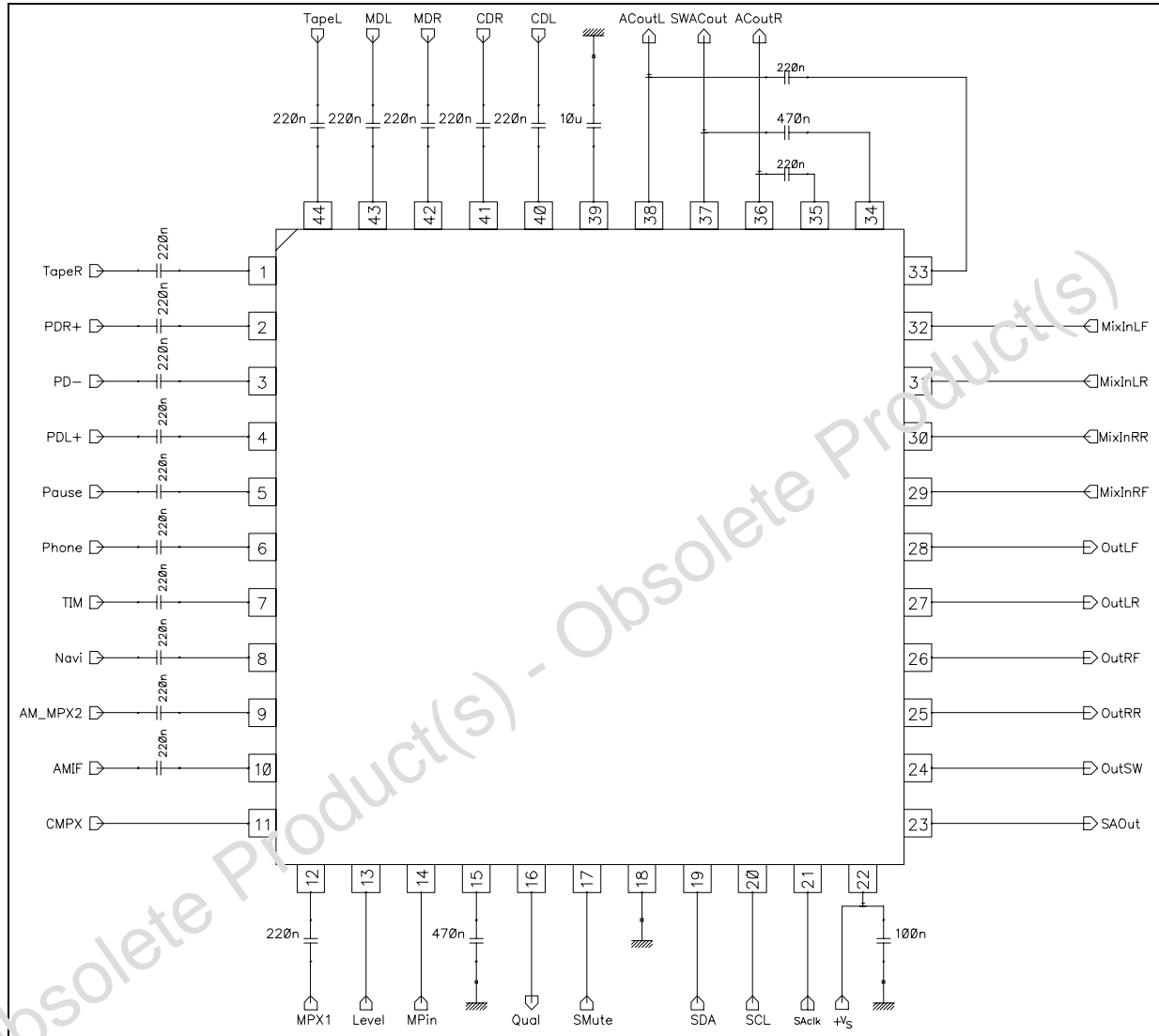
MSB							LSB	FUNCTION
D <sub>7</sub>	D <sub>6</sub>	D <sub>5</sub>	D <sub>4</sub>	D <sub>3</sub>	D <sub>2</sub>	D <sub>1</sub>	D <sub>0</sub>	
	0 1							Audioprocessor Oscillator Off On
1								must be "1"

*Note:* This byte is used for testing or evaluation purposes only and must not be set to other values than "11111100" in the application!

Obsolete Product(s) - Obsolete Product(s)

# 14 Application diagram

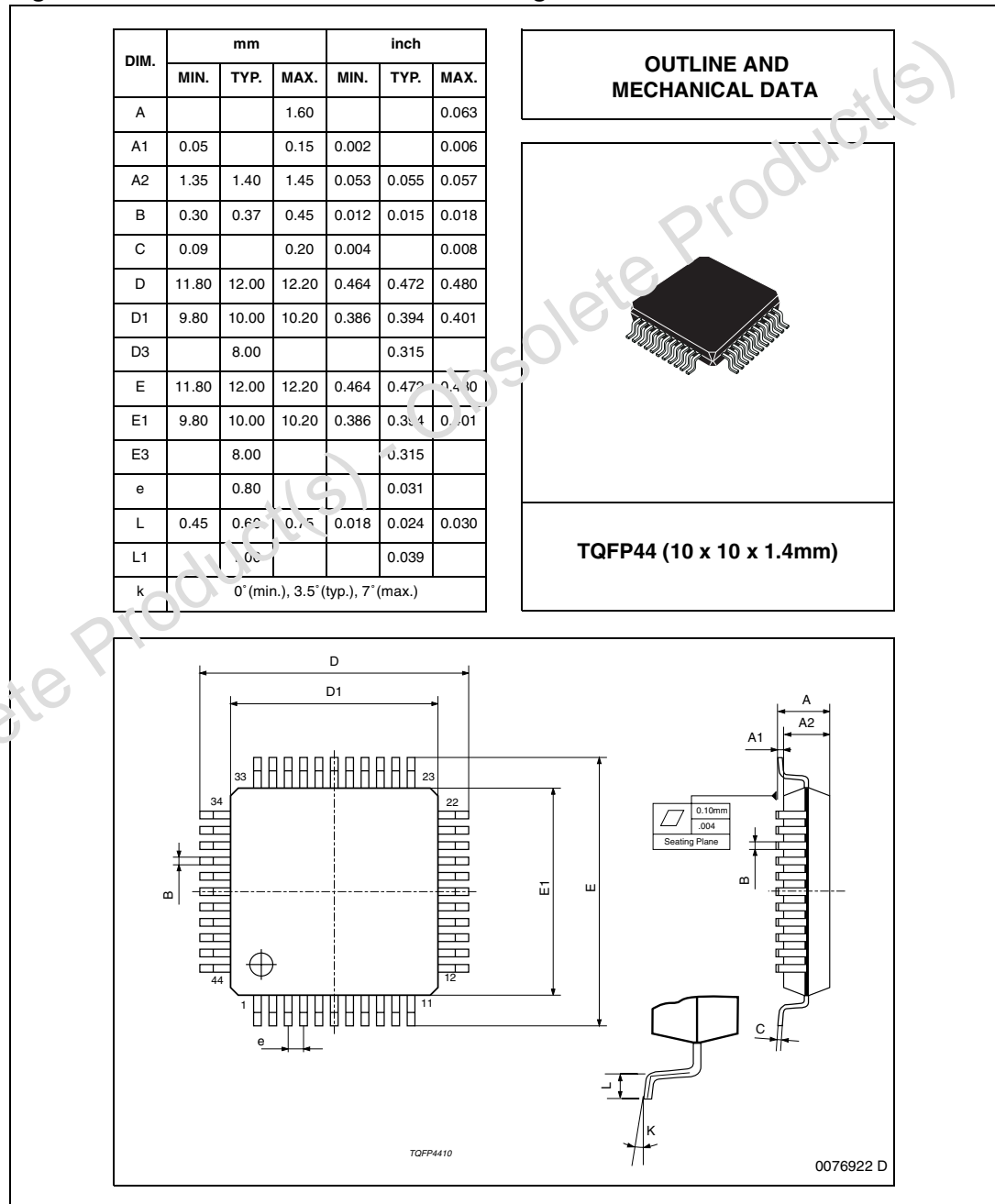
Figure 31. Application Diagram



# 15 Package information

In order to meet environmental requirements, ST offers these devices in ECOPACK<sup>®</sup> packages. These packages have a Lead-free second level interconnect. The category of second Level Interconnect is marked on the package and on the inner box label, in compliance with JEDEC Standard JESD97. The maximum ratings related to soldering conditions are also marked on the inner box label. ECOPACK is an ST trademark. ECOPACK specifications are available at: [www.st.com](http://www.st.com).

**Figure 32. TQFP44 Mechanical Data & Package Dimensions**



## 16 Revision history

Table 31. Document revision history

Date	Revision	Changes
04-Sep-2006	1	Initial release.

Obsolete Product(s) - Obsolete Product(s)

**Please Read Carefully:**

Information in this document is provided solely in connection with ST products. STMicroelectronics NV and its subsidiaries ("ST") reserve the right to make changes, corrections, modifications or improvements, to this document, and the products and services described herein at any time, without notice.

All ST products are sold pursuant to ST's terms and conditions of sale.

Purchasers are solely responsible for the choice, selection and use of the ST products and services described herein, and ST assumes no liability whatsoever relating to the choice, selection or use of the ST products and services described herein.

No license, express or implied, by estoppel or otherwise, to any intellectual property rights is granted under this document. If any part of this document refers to any third party products or services it shall not be deemed a license grant by ST for the use of such third party products or services, or any intellectual property contained therein or considered as a warranty covering the use in any manner whatsoever of such third party products or services or any intellectual property contained therein.

**UNLESS OTHERWISE SET FORTH IN ST'S TERMS AND CONDITIONS OF SALE ST DISCLAIMS ANY EXPRESS OR IMPLIED WARRANTY WITH RESPECT TO THE USE AND/OR SALE OF ST PRODUCTS INCLUDING WITHOUT LIMITATION IMPLIED WARRANTIES OF MERCHANTABILITY, FITNESS FOR A PARTICULAR PURPOSE (AND THEIR EQUIVALENTS UNDER THE LAWS OF ANY JURISDICTION), OR INFRINGEMENT OF ANY PATENT, COPYRIGHT OR OTHER INTELLECTUAL PROPERTY RIGHT.**

**UNLESS EXPRESSLY APPROVED IN WRITING BY AN AUTHORIZED ST REPRESENTATIVE, ST PRODUCTS ARE NOT RECOMMENDED, AUTHORIZED OR WARRANTED FOR USE IN MILITARY, AIR CRAFT, SPACE, LIFE SAVING, OR LIFE SUSTAINING APPLICATIONS, NOR IN PRODUCTS OR SYSTEMS WHERE FAILURE OR MALFUNCTION MAY RESULT IN PERSONAL INJURY, DEATH, OR SEVERE PROPERTY OR ENVIRONMENTAL DAMAGE. ST PRODUCTS WHICH ARE NOT SPECIFIED AS "AUTOMOTIVE GRADE" MAY ONLY BE USED IN AUTOMOTIVE APPLICATIONS AT USER'S OWN RISK.**

Resale of ST products with provisions different from the statements and/or technical features set forth in this document shall immediately void any warranty granted by ST for the ST product or service described herein and shall not create or extend in any manner whatsoever, any liability of ST.

ST and the ST logo are trademarks or registered trademarks of ST in various countries.

Information in this document supersedes and replaces all information previously supplied.

The ST logo is a registered trademark of STMicroelectronics. All other names are the property of their respective owners.

© 2006 STMicroelectronics - All rights reserved

STMicroelectronics group of companies

Australia - Belgium - Brazil - Canada - China - Czech Republic - Finland - France - Germany - Hong Kong - India - Israel - Italy - Japan - Malaysia - Malta - Morocco - Singapore - Spain - Sweden - Switzerland - United Kingdom - United States of America

[www.st.com](http://www.st.com)