

## STM32F101x4/6, STM32F102x4/6 and STM32F103x4/6 low-density device limitations

### Silicon identification

This errata sheet applies to the revision A of the STMicroelectronics low-density STM32F101xx access line, STM32F102xx USB access line and STM32F103xx performance line products. These families feature an ARM® 32-bit Cortex®-M3 core, for which an errata notice is also available (see [Section 1](#) for details).

The full list of root part numbers is shown in [Table 2](#).

The products are identifiable as shown in [Table 1](#):

- by the Revision code marked below the order code on the device package
- by the last three digits of the Internal order code printed on the box label

**Table 1. Device Identification<sup>(1)</sup>**

Order code	Revision code <sup>(2)</sup> marked on device
STM32F101xxxxA <sup>(3)</sup>	“A”
STM32F102xxxxA <sup>(3)</sup>	“A”
STM32F103xxxxA <sup>(3)</sup>	“A”

1. The REV\_ID bits in the DBGMCU\_IDCODE register show the revision code of the device (see the STM32F10xx4/6 reference manual for details on how to find the revision code).
2. Refer to [Appendix A: Revision code on device marking](#) for details on how to identify the Revision code on the different packages.
3. All MCUs with 16 KB of Flash memory are concerned (they all have the letter A in their commercial code). Among devices with 32 KB of Flash memory, only those identified by the letter A in their commercial code are concerned. For devices with 32 KB of Flash memory that do not have the letter A, refer to the medium-density errata sheet.

**Table 2. Device summary**

Reference	Part number
STM32F101xx	STM32F101C6, STM32F101R6, STM32F101T6
	STM32F101C4, STM32F101R4, STM32F101T4
STM32F102xx	STM32F102C6, STM32F102R6
	STM32F102C4, STM32F102R4
STM32F103xx	STM32F103C6, STM32F103R6, STM32F103T6
	STM32F103C4, STM32F103R4, STM32F103T4

# Contents

<b>1</b>	<b>ARM® 32-bit Cortex®-M3 limitations</b>	<b>6</b>
1.1	Cortex-M3 limitations description for STM32F10xx4/6 low-density devices	7
1.1.1	Cortex-M3 LDRD with base in list may result in incorrect base register when interrupted or faulted	7
1.1.2	Cortex-M3 event register is not set by interrupts and debug	7
1.1.3	Cortex-M3 BKPT in debug monitor mode can cause DFSR mismatch	7
1.1.4	Cortex-M3 may freeze for SLEEPONEXIT single instruction ISR	8
1.1.5	Interrupted loads to SP can cause erroneous behavior	8
1.1.6	SVC and BusFault/MemManage may occur out of order	9
<b>2</b>	<b>STM32F101x4/6, STM32F102x4/6 and STM32F103x4/6 silicon limitations</b>	<b>10</b>
2.1	Voltage glitch on ADC input 0	12
2.2	Flash memory read after WFI/WFE instruction	12
2.3	Debug registers cannot be read by user software	12
2.4	Debugging Stop mode and system tick timer	13
2.5	Debugging Stop mode with WFE entry	13
2.6	Wakeup sequence from Standby mode when using more than one wakeup source	13
2.7	LSE start-up in harsh environments	14
2.8	Alternate function	15
2.8.1	USART1_RTS and CAN_TX	15
2.8.2	SPI1 in slave mode and USART2 in synchronous mode	15
2.8.3	SPI1 in master mode and USART2 in synchronous mode	15
2.8.4	I2C with SPI remapped and used in master mode	16
2.8.5	I2C1 and TIM3_CH2 remapped	16
2.8.6	USARTx_TX pin usage	16
2.9	PVD and USB wakeup events	17
2.10	Boundary scan TAP: wrong pattern sent out after the “capture IR” state	17
2.11	Flash memory BSY bit delay versus STRT bit setting	17
2.12	I <sup>2</sup> C peripheral	18

2.12.1	Some software events must be managed before the current byte is being transferred	18
2.12.2	Wrong data read into data register	19
2.12.3	SMBus standard not fully supported	20
2.12.4	Wrong behavior of I2C peripheral in master mode after a misplaced Stop	20
2.12.5	Mismatch on the "Setup time for a repeated Start condition" timing parameter	21
2.12.6	Data valid time ( $t_{VD;DAT}$ ) violated without the OVR flag being set	21
2.12.7	I2C analog filter may provide wrong value, locking BUSY flag and preventing master mode entry	23
2.13	SPI peripheral	24
2.13.1	CRC still sensitive to communication clock when SPI is in slave mode even with NSS high	24
2.13.2	SPI CRC may be corrupted when a peripheral connected to the same DMA channel of the SPI is under DMA transaction close to the end of transfer or end of transfer -1	24
2.14	USART peripheral	25
2.14.1	Parity Error flag (PE) is set again after having been cleared by software	25
2.14.2	Idle frame is not detected if receiver clock speed is deviated	25
2.14.3	In full duplex mode, the Parity Error (PE) flag can be cleared by writing the data register	25
2.14.4	Parity Error (PE) flag is not set when receiving in Mute mode using address mark detection	26
2.14.5	Break frame is transmitted regardless of nCTS input line status	26
2.14.6	nRTS signal abnormally driven low after a protocol violation	26
2.15	Timers	27
2.15.1	Missing capture flag	27
2.15.2	Overcapture detected too early	27
2.15.3	General-purpose timer: regulation for 100% PWM	27
2.16	LSI clock stabilization time	28
2.17	USB packet buffer memory: over/underrun or COUNTn_RX[9:0] field reporting incorrect number if APB1 frequency is below 13 MHz	28
<b>Appendix A Revision code on device marking</b>		<b>29</b>
<b>Revision history</b>		<b>32</b>

## List of tables

Table 1.	Device Identification . . . . .	1
Table 2.	Device summary . . . . .	1
Table 3.	Cortex-M3 core limitations and impact on microcontroller behavior . . . . .	6
Table 4.	Summary of silicon limitations . . . . .	10
Table 5.	Document revision history . . . . .	32

## List of figures

Figure 1.	LSE start-up using an additional resistor . . . . .	14
Figure 2.	LQFP64 top package view . . . . .	29
Figure 3.	LQFP48 top package view . . . . .	30
Figure 4.	VFQFPN36 top package view . . . . .	31

# 1 ARM® 32-bit Cortex®-M3 limitations

An errata notice of the STM32F10xx4/6 core is available from the following web address:  
<http://infocenter.arm.com/>.

All the described limitations are minor and related to the revision r1p1-01rel0 of the Cortex-M3 core. [Table 3](#) summarizes these limitations and their implications on the behavior of low-density STM32F10xx4/6 devices.

**Table 3. Cortex-M3 core limitations and impact on microcontroller behavior**

ARM ID	ARM category	ARM summary of errata	Impact on low-density STM32F10xx4/6 devices
752419	Cat 2	Interrupted loads to SP can cause erroneous behavior	Minor
740455	Cat 2	SVC and BusFault/MemManage may occur out of order	Minor
602117	Cat 2	LDRD with base in list may result in incorrect base register when interrupted or faulted	Minor
563915	Cat 2	Event register is not set by interrupts and debug	Minor
531064	impl	SWJ-DP missing POR reset sync	No
511864	Cat 3	Cortex-M3 may fetch instructions using incorrect privilege on return from an exception	No
532314	Cat 3	DWT CPI counter increments during sleep	No
538714	Cat 3	Cortex-M3 TPIU clock domain crossing	No
548721	Cat 3	Internal write buffer could be active whilst asleep	No
463763	Cat 3	BKPT in debug monitor mode can cause DFSR mismatch	Minor
463764	Cat 3	Core may freeze for SLEEPONEXIT single instruction ISR	Minor
463769	Cat 3	Unaligned MPU fault during a write may cause the wrong data to be written to a successful first access	No

## 1.1 Cortex-M3 limitations description for STM32F10xx4/6 low-density devices

Only the limitations described below have an impact, even though minor, on the implementation of STM32F10xx4/6 low-density devices.

All the other limitations described in the ARM errata notice (and summarized in [Table 3](#) above) have no impact and are not related to the implementation of STM32F10xx4/6 low-density devices (Cortex-M3 r1p1-01rel0).

### 1.1.1 Cortex-M3 LDRD with base in list may result in incorrect base register when interrupted or faulted

#### Description

The Cortex-M3 Core has a limitation when executing an LDRD instruction from the system-bus area, with the base register in a list of the form LDRD Ra, Rb, [Ra, #imm]. The execution may not complete after loading the first destination register due to an interrupt before the second loading completes or due to the second loading getting a bus fault.

#### Workarounds

1. This limitation does not impact the STM32F10xx4/6 code execution when executing from the embedded Flash memory, which is the standard use of the microcontroller.
2. Use the latest compiler releases. As of today, they no longer generate this particular sequence. Moreover, a scanning tool is provided to detect this sequence on previous releases (refer to your preferred compiler provider).

### 1.1.2 Cortex-M3 event register is not set by interrupts and debug

#### Description

When interrupts related to a WFE occur before the WFE is executed, the event register used for WFE wakeup events is not set and the event is missed. Therefore, when the WFE is executed, the core does not wake up from WFE if no other event or interrupt occur.

#### Workaround

Use STM32F10xx4/6 external events instead of interrupts to wake up the core from WFE by configuring an external or internal EXTI line in event mode.

### 1.1.3 Cortex-M3 BKPT in debug monitor mode can cause DFSR mismatch

#### Description

A BKPT may be executed in debug monitor mode. This causes the debug monitor handler to be run. However, the bit 1 in the Debug fault status register (DFSR) at address 0xE00ED30 is not set to indicate that it was originated by a BKPT instruction. This only occurs if an interrupt other than the debug monitor is already being processed just before the BKPT is executed.

### Workaround

If the DFSR register does not have any bit set when the debug monitor is entered, this means that we must be in this “corner case” and so, that a BKPT instruction was executed in debug monitor mode.

## 1.1.4 Cortex-M3 may freeze for SLEEPONEXIT single instruction ISR

### Description

If the Cortex-M3 SLEEPONEXIT functionality is used and the concerned interrupt service routine (ISR) contains only a single instruction, the core becomes frozen. This freezing may occur if only one interrupt is active and it is preempted by an interrupt whose handler only contains a single instruction.

However, any new interrupt that causes a preemption would cause the core to become unfrozen and behave correctly again.

### Workaround

This scenario does not happen in real application systems since all enabled ISRs should at least contain one instruction. Therefore, if an empty ISR is used, then insert an NOP or any other instruction before the exit instruction (BX or BLX).

## 1.1.5 Interrupted loads to SP can cause erroneous behavior

### Description

If an interrupt occurs during the data-phase of a single word load to the stack-pointer (SP/R13), erroneous behavior can occur. In all cases, returning from the interrupt will result in the load instruction being executed an additional time. For all instructions performing an update to the base register, the base register will be erroneously updated on each execution, resulting in the stack-pointer being loaded from an incorrect memory location.

The affected instructions are:

1. LDR SP,[Rn],#imm
2. LDR SP,[Rn,#imm]!
3. LDR SP,[Rn,#imm]
4. LDR SP,[Rn]
5. LDR SP,[Rn,Rm]

### Workaround

As of today, there is no compiler generating these particular instructions. This limitation can only occur with hand-written assembly code.

Both issues may be worked around by replacing the direct load to the stack-pointer, with an intermediate load to a general-purpose register followed by a move to the stack-pointer.

Example: the following instruction "LDR SP, [R0]" can be replaced by

```
"LDR R2,[R0]
MOV SP,R2 "
```



## 1.1.6 SVC and BusFault/MemManage may occur out of order

### Description

If an SVC exception is generated by executing the SVC instruction while the following instruction fetch is faulted, then the MemManage or BusFault handler may be entered even though the faulted instruction which followed the SVC should not have been executed.

### Workaround

A workaround is only required if the SVC handler will not return to the return address that has been stacked for the SVC exception and the instruction access after the SVC will fault. If this is the case then padding can be inserted between the SVC and the faulting area of code, for example, by inserting NOP instructions.

## 2 STM32F101x4/6, STM32F102x4/6 and STM32F103x4/6 silicon limitations

Table 4 gives quick references to all documented limitations.

**Table 4. Summary of silicon limitations**

Links to silicon limitations	
<a href="#">Section 2.1: Voltage glitch on ADC input 0</a>	
<a href="#">Section 2.2: Flash memory read after WFI/WFE instruction</a>	
<a href="#">Section 2.3: Debug registers cannot be read by user software</a>	
<a href="#">Section 2.4: Debugging Stop mode and system tick timer</a>	
<a href="#">Section 2.5: Debugging Stop mode with WFE entry</a>	
<a href="#">Section 2.6: Wakeup sequence from Standby mode when using more than one wakeup source</a>	
<a href="#">Section 2.7: LSE start-up in harsh environments</a>	
<a href="#">Section 2.8: Alternate function</a>	<a href="#">Section 2.8.1: USART1_RTS and CAN_TX</a>
	<a href="#">Section 2.8.2: SPI1 in slave mode and USART2 in synchronous mode</a>
	<a href="#">Section 2.8.3: SPI1 in master mode and USART2 in synchronous mode</a>
	<a href="#">Section 2.8.4: I2C with SPI remapped and used in master mode</a>
	<a href="#">Section 2.8.5: I2C1 and TIM3_CH2 remapped</a>
	<a href="#">Section 2.8.3: SPI1 in master mode and USART2 in synchronous mode</a>
	<a href="#">Section 2.8.4: I2C with SPI remapped and used in master mode</a>
	<a href="#">Section 2.8.5: I2C1 and TIM3_CH2 remapped</a>
<a href="#">Section 2.8.6: USARTx_TX pin usage</a>	
<a href="#">Section 2.9: PVD and USB wakeup events</a>	
<a href="#">Section 2.10: Boundary scan TAP: wrong pattern sent out after the “capture IR” state</a>	
<a href="#">Section 2.11: Flash memory BSY bit delay versus STRT bit setting</a>	
<a href="#">Section 2.12: I2C peripheral</a>	<a href="#">Section 2.12.1: Some software events must be managed before the current byte is being transferred</a>
	<a href="#">Section 2.12.2: Wrong data read into data register</a>
	<a href="#">Section 2.12.3: SMBus standard not fully supported</a>
	<a href="#">Section 2.12.4: Wrong behavior of I2C peripheral in master mode after a misplaced Stop</a>
	<a href="#">Section 2.12.5: Mismatch on the “Setup time for a repeated Start condition” timing parameter</a>
	<a href="#">Section 2.12.6: Data valid time (tVD;DAT) violated without the OVR flag being set</a>
	<a href="#">Section 2.12.7: I2C analog filter may provide wrong value, locking BUSY flag and preventing master mode entry</a>

**Table 4. Summary of silicon limitations (continued)**

Links to silicon limitations	
<i>Section 2.13: SPI peripheral</i>	<i>Section 2.13.1: CRC still sensitive to communication clock when SPI is in slave mode even with NSS high</i>
	<i>Section 2.13.2: SPI CRC may be corrupted when a peripheral connected to the same DMA channel of the SPI is under DMA transaction close to the end of transfer or end of transfer -1</i>
<i>Section 2.14: USART peripheral</i>	<i>Section 2.14.1: Parity Error flag (PE) is set again after having been cleared by software</i>
	<i>Section 2.14.2: Idle frame is not detected if receiver clock speed is deviated</i>
	<i>Section 2.14.3: In full duplex mode, the Parity Error (PE) flag can be cleared by writing the data register</i>
	<i>Section 2.14.4: Parity Error (PE) flag is not set when receiving in Mute mode using address mark detection</i>
	<i>Section 2.14.5: Break frame is transmitted regardless of nCTS input line status</i>
	<i>Section 2.14.6: nRTS signal abnormally driven low after a protocol violation</i>
<i>Section 2.15: Timers</i>	<i>Section 2.15.1: Missing capture flag</i>
	<i>Section 2.15.2: Overcapture detected too early</i>
	<i>Section 2.15.3: General-purpose timer: regulation for 100% PWM</i>
<i>Section 2.16: LSI clock stabilization time</i>	
<i>Section 2.17: USB packet buffer memory: over/underrun or COUNTn_RX[9:0] field reporting incorrect number if APB1 frequency is below 13 MHz</i>	

## 2.1 Voltage glitch on ADC input 0

### Description

A low-amplitude voltage glitch may be generated (on ADC input 0) on the PA0 pin, when the ADC is converting with injection trigger. It is generated by internal coupling and synchronized to the beginning and the end of the injection sequence, whatever the channel(s) to be converted.

The glitch amplitude is less than 150 mV with a typical duration of 10 ns (measured with the I/O configured as high-impedance input and left unconnected). If PA0 is used as a digital output, this has no influence on the signal. If PA0 is used as a digital input, it will not be detected as a spurious transition, providing that PA0 is driven with an impedance lower than 5 k $\Omega$ . This glitch does not have any influence on the remaining port A pin or on the ADC conversion injection results, in single ADC configuration.

When using the ADC in dual mode with injection trigger, and in order to avoid any side effect, it is advised to distribute the analog channels so that Channel 0 is configured as an injected channel.

### Workaround

None.

## 2.2 Flash memory read after WFI/WFE instruction

### Conditions

- Flash prefetch on
- Flash memory timing set to 2 wait states
- FLITF clock stopped in Sleep mode

### Description

If a WFI/WFE instruction is executed during a Flash memory access and the Sleep duration is very short (less than 2 clock cycles), the instruction fetch from the Flash memory may be corrupted on the next wakeup event.

### Workaround

When using the Flash memory with two wait states and prefetch on, the FLITF clock must *not* be stopped during the Sleep mode – the FLITFEN bit in the RCC\_AHBENR register must be set (keep the reset value).

## 2.3 Debug registers cannot be read by user software

### Description

The DBGMCU\_IDCODE and DBGMCU\_CR debug registers are accessible only in debug mode (not accessible by the user software). When these registers are read in user mode, the returned value is 0x00.

### Workaround

None.

## 2.4 Debugging Stop mode and system tick timer

### Description

If the system tick timer interrupt is enabled during the Stop mode debug (DBG\_STOP bit set in the DBGMCU\_CR register ), it will wakeup the system from Stop mode.

### Workaround

To debug the Stop mode, disable the system tick timer interrupt.

## 2.5 Debugging Stop mode with WFE entry

### Description

When the Stop debug mode is enabled (DBG\_STOP bit set in the DBGMCU\_CR register ) this allows software debugging during Stop mode.

However, if the application software uses the WFE instruction to enter Stop mode, after wakeup some instructions could be missed if the WFE is followed by sequential instructions. This affects only Stop debug mode with WFE entry.

### Workaround

To debug Stop mode with WFE entry, the WFE instruction must be inside a dedicated function with 1 instruction (NOP) between the execution of the WFE and the Bx LR.

Example: `__asm void _WFE(void) {`

`WFE`

`NOP`

`BX lr }`

## 2.6 Wakeup sequence from Standby mode when using more than one wakeup source

### Description

The various wakeup sources are logically OR-ed in front of the rising-edge detector which generates the wakeup flag (WUF). The WUF flag needs to be cleared prior to the Standby mode entry, otherwise the MCU wakes up immediately.

If one of the configured wakeup sources is kept high during the clearing of WUF flag (by setting the CWUF bit), it may mask further wakeup events on the input of the edge detector. As a consequence, the MCU could not be able to wake up from Standby mode.

## Workaround

To avoid this problem, the following sequence should be applied before entering Standby mode:

1. Disable all used wakeup sources.
2. Clear all related wakeup flags.
3. Re-enable all used wakeup sources.
4. Enter Standby mode.

Be aware that, when applying this workaround, if one of the wakeup sources is still kept high, the MCU will enter the Standby mode, but then it will wake up immediately generating the power reset.

## 2.7 LSE start-up in harsh environments

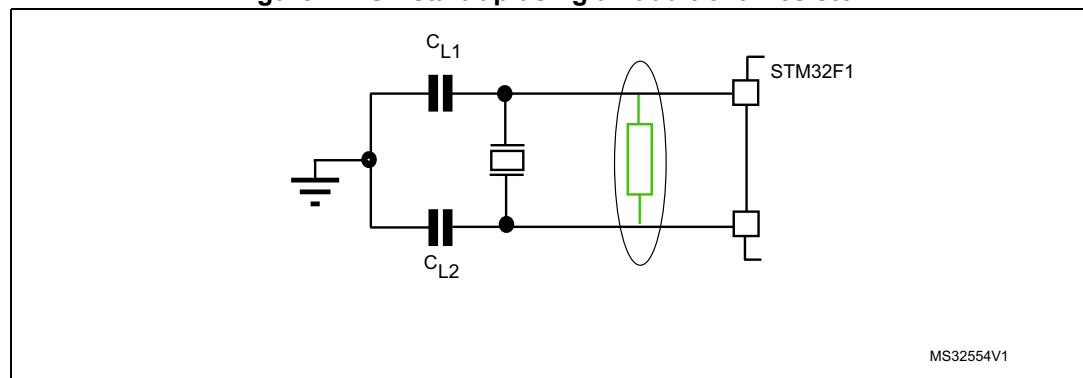
### Description

The LSE (Low Speed External) oscillator system has been designed to minimize the overall power consumption of the STM32F1 microcontroller. It is extremely important to take specific care in the design of the PCB to ensure this low power oscillator starts in harsh conditions. In some PCB designs without coating, an induced low leakage may prevent the LSE to start-up, regardless of the 32.768 KHz crystal used. This phenomenon is amplified in humid environments that create frost on the OSC32\_IN/OSC32\_OUT tracks. This unwanted behavior may happen only at the first back-up domain power-on of the device.

### Workaround

It is recommended to mount an additional parallel feedback resistor (from 16 M $\Omega$  to 22 M $\Omega$ ) on board to help the oscillation start-up in all cases (see [Figure 1](#)). For more details on compatible crystals and hardware techniques on PCB, refer to AN2867 application note.

**Figure 1. LSE start-up using an additional resistor**



## 2.8 Alternate function

In some specific cases, some potential weakness may exist between alternate functions mapped onto the same pin.

### 2.8.1 USART1\_RTS and CAN\_TX

#### Conditions

- USART1 is clocked
- CAN is not clocked
- I/O port pin PA12 is configured as an alternate function output.

#### Description

Even if CAN\_TX is not used, this signal is set by default to 1 if I/O port pin PA12 is configured as an alternate function output.

In this case USART1\_RTS cannot be used.

#### Workaround

When USART1\_RTS is used, the CAN must be remapped to either another IO configuration when the CAN is used, or to the unused configuration (CAN\_REMAP[1:0] set to "01") when the CAN is not used.

### 2.8.2 SPI1 in slave mode and USART2 in synchronous mode

#### Conditions

- SPI1 and USART2 are clocked
- I/O port pin PA4 is configured as an alternate function output.

#### Description

USART2 cannot be used in synchronous mode (USART2\_CK signal), if SPI1 is used in slave mode.

#### Workaround

None.

### 2.8.3 SPI1 in master mode and USART2 in synchronous mode

#### Conditions

- SPI1 and USART2 are clocked
- I/O port pin PA4 is configured as an alternate function output.

#### Description

USART2 cannot be used in synchronous mode (USART2\_CK signal) if SPI1 is used in master mode and SP1\_NSS is configured in software mode. In this case USART2\_CK is not output on the pin.

**Workaround**

In order to output USART2\_CK, the SSOE bit in the SPI1\_CR2 register must be set to configure the pin in output mode.

**2.8.4 I2C with SPI remapped and used in master mode****Conditions**

- I2C and SPI are clocked.
- SPI is remapped.
- I/O port pin PB5 is configured as an alternate function output.

**Description**

Conflict between the SPI MOSI signal and the I2C SMBALERT signal (even if SMBALERT is not used).

**Workaround**

Do not use SPI remapped in master mode and I2C together.

When using SPI remapped, the I2C clock must be disabled.

**2.8.5 I2C1 and TIM3\_CH2 remapped****Conditions**

- I2C1 and TIM3 are clocked.
- I/O port pin PB5 is configured as an alternate function output.

**Description**

Conflict between the TIM3\_CH2 signal and the I2C1 SMBALERT signal, (even if SMBALERT is not used).

In these cases the I/O port pin PB5 is set to 1 by default if the I/O alternate function output is selected and I2C1 is clocked. TIM3\_CH2 cannot be used in output mode.

**Workaround**

To avoid this conflict, TIM3\_CH2 can only be used in input mode.

**2.8.6 USARTx\_TX pin usage****Description**

In USART receive-mode-only communication (TE = 0 in the USARTx\_CR1 register), even when the USARTx\_TX pin is not being used, the corresponding I/O port pin cannot be used to output another alternate function (in this mode the USARTx\_TX output is set to 1 and thus no other alternate function output can be used).

This limitation applies to all USARTx\_TX pins that share another alternate function output.



### **Workaround**

Do not use the corresponding I/O port of the USARTx\_TX pin in alternate function output mode. Only the input mode can be used (TE bit in the USARTx\_CR1 has to be cleared).

## **2.9 PVD and USB wakeup events**

### **Description**

PVD and USB wakeup, which are internally linked to EXTI line16 and EXTI line18, respectively, cannot be used as event sources for the Cortex-M3 core. As a consequence, these signals cannot be used to exit the Sleep or the Stop mode (exit WFE).

### **Workaround**

Use interrupt sources and the WFI instruction if the application must be woken up from the Sleep or the Stop mode by PVD or USB wakeup.

## **2.10 Boundary scan TAP: wrong pattern sent out after the “capture IR” state**

### **Description**

After the “capture IR” state of the boundary scan TAP, the two least significant bits in the instruction register should be loaded with “01” for them to be shifted out whenever a next instruction is shifted in.

However, the boundary scan TAP shifts out the latest value loaded into the instruction register, which could be “00”, “01”, “10” or “11”.

### **Workaround**

The data shifted out, after the capture IR state, in the boundary scan flow should therefore be ignored and the software should check not only the two least significant bits (XXX01) but all register bits (XXXXXX).

## **2.11 Flash memory BSY bit delay versus STRT bit setting**

### **Description**

When the STRT bit in the Flash memory control register is set (to launch an erase operation), the BSY bit in the Flash memory status register goes high one cycle later.

Therefore, if the FLASH\_SR register is read immediately after the FLASH\_CR register is written (STRT bit set), the BSY bit is read as 0.

### **Workaround**

Read the BSY bit at least one cycle after setting the STRT bit.

## 2.12 I<sup>2</sup>C peripheral

### 2.12.1 Some software events must be managed before the current byte is being transferred

#### Description

When the EV7, EV7\_1, EV6\_1, EV6\_3, EV2, EV8, and EV3 events are not managed before the current byte is being transferred, problems may be encountered such as receiving an extra byte, reading the same data twice or missing data.

#### Workarounds

When it is not possible to manage the EV7, EV7\_1, EV6\_1, EV6\_3, EV2, EV8, and EV3 events before the current byte transfer and before the acknowledge pulse when changing the ACK control bit, it is recommended to:

- **Workaround 1**  
Use the I2C with DMA in general, except when the Master is receiving a single byte.
- **Workaround 2**  
Use I2C interrupts and boost their priorities to the highest one in the application to make them uninterruptible
- **Workaround 3** (only for EV6\_1 and EV6\_3 events used in method 2)  
EV6\_1 event (used in master receiver 2 bytes):  
Stretch SCL line between ADDR bit is cleared and ACK is cleared:
  - a) ADDR=1
  - b) Configure SCL I/O as GPIO open-drain output low
  - c) Clear ADDR by reading SR1 register followed by reading SR3
  - d) Program ACK=0
  - e) Configure SCL I/O as Alternate Function open drainEV6\_3 event (used in master receiver 1 byte):  
Stretch SCL line between ADDR bit is cleared and STOP bit programming:
  - a) ADDR=1
  - b) Program ACK=0
  - c) Configure SCL I/O as GPIO open-drain output low
  - d) Clear ADDR by reading SR1 register followed by reading SR3
  - e) Program STOP=1
  - f) Configure SCL I/O as Alternate Function open drain

## 2.12.2 Wrong data read into data register

In Master Receiver mode, when closing the communication using method 2, the content of the last read data can be corrupted. The following two sequences are concerned by the limitation:

- **Sequence 1:** Transfer sequence for master receiver when  $N = 2$ :
  - a) BTF = 1(Data N-1 in DR and Data N in shift register)
  - b) Program STOP = 1,
  - c) Read DR twice (Read Data N-1 and Data N) just after programming the STOP.
- **Sequence 2:** Transfer sequence for master receiver when  $N > 2$ :
  - a) BTF = 1 (Data N-2 in DR and Data N-1 in shift register)
  - b) Program ACK = 0,
  - c) Read DataN-2 in DR.
  - d) Program STOP = 1,
  - e) Read DataN-1.

If the user software is not able to read the data N-1 before the STOP condition is generated on the bus, the content of the shift register (data N) will be corrupted (data N is shifted 1-bit to the left).

### Workarounds

- Workaround 1

Stretch the SCL line by configuring SCL I/O as a general purpose I/O, open-drain output low level, before the SET STOP in sequence 1 and before the READ Data N-2 in séquence 2. Then configure back the SCL I/O as alternate function open-drain after the READ Data N-1. The sequences become:

Sequence 1:

  - a) BTF = 1(Data N-1 in DR and Data N in shift register)
  - b) Configure SCL I/O as GPIO open-drain output low
  - c) Program STOP = 1
  - d) Read Data N-1
  - e) Configure SCL I/O as Alternate Function open drain
  - f) Read Data N

Sequence 2:

- a) BTF = 1 (Data N-2 in DR and Data N-1 in shift register)
  - b) Program ACK = 0
  - c) Configure SCL I/O as GPIO open-drain output low
  - d) Read Data N-2 in DR.
  - e) Program STOP = 1,
  - f) Read Data N-1.
  - g) Configure SCL I/O as Alternate Function open drain
- Workaround 2  
Mask all active interrupts between the SET STOP and the READ data N-1 for sequence 1; and between the READ data N-2, the SET STOP and the READ data N-1 for Sequence 2.
  - Workaround 3  
Manage I2C RxNE events with DMA or interrupts with the highest priority level, so that the condition BTF = 1 never occurs.

### 2.12.3 SMBus standard not fully supported

#### Description

The I<sup>2</sup>C peripheral is not fully compliant with the SMBus v2.0 standard since It does not support the capability to NACK an invalid byte/command.

#### Workarounds

A higher-level mechanism should be used to verify that a write operation is being performed correctly at the target device, such as:

1. Using the SMBAL pin if supported by the host
2. the alert response address (ARA) protocol
3. the Host notify protocol

### 2.12.4 Wrong behavior of I2C peripheral in master mode after a misplaced Stop

#### Description

If a misplaced Stop is generated on the bus, the peripheral cannot enter master mode properly:

- If a void message is received (START condition immediately followed by a STOP): the BERR (bus error) flag is not set, and the I2C peripheral is not able to send a start condition on the bus after the write to the START bit in the I2C\_CR2 register.
- In the other cases of a misplaced STOP, the BERR flag is set. If the START bit is already set in I2C\_CR2, the START condition is not correctly generated on the bus and can create bus errors.

### Workaround

In the I<sup>2</sup>C standard, it is allowed to send a Stop only at the end of the full byte (8 bits + acknowledge), so this scenario is not allowed. Other derived protocols like CBUS allow it, but they are not supported by the I<sup>2</sup>C peripheral.

In case of a noisy environment in which unwanted bus errors can occur, it is recommended to implement a timeout to ensure that after the START control bit is set, the SB (start bit) flag is set. In case the timeout has elapsed, the peripheral must be reset by setting the SWRST bit in the I2C\_CR2 control register. It should also be reset in the same way if a BERR is detected while the START bit is set in I2C\_CR2.

## 2.12.5 Mismatch on the “Setup time for a repeated Start condition” timing parameter

### Description

In case of a repeated Start, the “Setup time for a repeated Start condition” (named  $T_{su;sta}$  in the I<sup>2</sup>C specification) can be slightly violated when the I<sup>2</sup>C operates in Master Standard mode at a frequency between 88 kHz and 100 kHz.

The issue can occur only in the following configuration:

- in Master mode
- in Standard mode at a frequency between 88 kHz and 100 kHz (no issue in Fast-mode)
- SCL rise time:
  - If the slave does not stretch the clock and the SCL rise time is more than 300 ns (if the SCL rise time is less than 300 ns the issue cannot occur)
  - If the slave stretches the clock

The setup time can be violated independently of the APB peripheral frequency.

### Workaround

Reduce the frequency down to 88 kHz or use the I<sup>2</sup>C Fast-mode if supported by the slave.

## 2.12.6 Data valid time ( $t_{VD;DAT}$ ) violated without the OVR flag being set

### Description

The data valid time ( $t_{VD;DAT}$ ,  $t_{VD;ACK}$ ) described by the I<sup>2</sup>C standard can be violated (as well as the maximum data hold time of the current data ( $t_{HD;DAT}$ )) under the conditions described below. Moreover, if the data register is written too late and close to the SCL rising edge, an error can be generated on the bus (SDA toggles while SCL is high). These violations cannot be detected because the OVR flag is not set (no transmit buffer underrun is detected).

This issue can occur only under the following conditions:

- In Slave transmit mode
- With clock stretching disabled (NOSTRETCH=1)
- If the software is late in writing the DR data register, but not late enough to set the OVR flag (the data register is written before the SCL rising edge).

### Workaround

If the master device allows it, use the clock stretching mechanism by programming the bit NOSTRETCH=0 in the I2C\_CR1 register.

If the master device does not allow it, ensure that the software writes to the data register fast enough after TXE or ADDR events. For instance, use an interrupt on the TXE or ADDR flag and boost its priority to the higher level, or use DMA. Use this "NOSTRETCH" mode with a slow I2C bus speed.

*Note: The first data byte to transmit must be written in the data register after the ADDR flag is cleared, and before the next SCL rising edge, so that the time window for writing the first data byte in the data register is less than  $t_{LOW}$ .*

*If this is not possible, a workaround can be used:*

*Clear the ADDR flag*

*Wait for the OVR flag to be set*

*Clear OVR and write the first data byte.*

*Then the time window for writing the next data byte will be the time to transfer one byte. In this case, the master must discard the first received data byte.*

## 2.12.7 I2C analog filter may provide wrong value, locking BUSY flag and preventing master mode entry

### Description

The I2C analog filters embedded in the I2C I/Os may be tied to low level, whereas SCL and SDA lines are kept at high level. This can occur after an MCU power-on reset, or during ESD stress. Consequently, the I2C BUSY flag is set, and the I2C cannot enter master mode (START condition cannot be sent). The I2C BUSY flag cannot be cleared by the SWRST control bit, nor by a peripheral or a system reset. BUSY bit is cleared under reset, but it is set high again as soon as the reset is released, because the analog filter output is still at low level. This issue occurs randomly.

*Note: Under the same conditions, the I2C analog filters may also provide a high level, whereas SCL and SDA lines are kept to low level. This should not create issues as the filters output will be correct after next SCL and SDA transition.*

### Workaround

The SCL and SDA analog filter output is updated after a transition occurs on the SCL and SDA line respectively. The SCL and SDA transition can be forced by software configuring the I2C I/Os in output mode. Then, once the analog filters are unlocked and output the SCL and SDA lines level, the BUSY flag can be reset with a software reset, and the I2C can enter master mode. Therefore, the following sequence must be applied:

1. Disable the I2C peripheral by clearing the PE bit in I2Cx\_CR1 register.
2. Configure the SCL and SDA I/Os as General Purpose Output Open-Drain, High level (Write 1 to GPIOx\_ODR).
3. Check SCL and SDA High level in GPIOx\_IDR.
4. Configure the SDA I/O as General Purpose Output Open-Drain, Low level (Write 0 to GPIOx\_ODR).
5. Check SDA Low level in GPIOx\_IDR.
6. Configure the SCL I/O as General Purpose Output Open-Drain, Low level (Write 0 to GPIOx\_ODR).
7. Check SCL Low level in GPIOx\_IDR.
8. Configure the SCL I/O as General Purpose Output Open-Drain, High level (Write 1 to GPIOx\_ODR).
9. Check SCL High level in GPIOx\_IDR.
10. Configure the SDA I/O as General Purpose Output Open-Drain , High level (Write 1 to GPIOx\_ODR).
11. Check SDA High level in GPIOx\_IDR.
12. Configure the SCL and SDA I/Os as Alternate function Open-Drain.
13. Set SWRST bit in I2Cx\_CR1 register.
14. Clear SWRST bit in I2Cx\_CR1 register.
15. Enable the I2C peripheral by setting the PE bit in I2Cx\_CR1 register.

## 2.13 SPI peripheral

### 2.13.1 CRC still sensitive to communication clock when SPI is in slave mode even with NSS high

#### Description

When the SPI is configured in slave mode with the CRC feature enabled, the CRC is calculated even if the NSS pin deselects the SPI (high level applied on the NSS pin).

#### Workaround

The CRC has to be cleared on both Master and Slave sides between the slave deselection (high level on NSS) and the slave selection (low level on NSS), in order to resynchronize the Master and Slave for their respective CRC calculation.

To procedure to clear the CRC is the following:

1. disable the SPI (SPE = 0)
2. clear the CRCEN bit
3. set the CRCEN bit
4. enable the SPI (SPE = 1)

### 2.13.2 SPI CRC may be corrupted when a peripheral connected to the same DMA channel of the SPI is under DMA transaction close to the end of transfer or end of transfer -1

#### Description

In the following conditions, the CRC may be frozen before the CRCNEXT bit is written, resulting in a CRC error:

- SPI is slave or master.
- Full duplex or simplex mode is used.
- CRC feature is enabled.
- SPI is configured to manage data transfers by software (interrupt or polling).
- A peripheral, mapped on the same DMA channel as the SPI, is executing DMA transfers.

#### Workaround

If the application allows it, you can use the DMA for SPI transfers.



## 2.14 USART peripheral

### 2.14.1 Parity Error flag (PE) is set again after having been cleared by software

#### Description

The parity error flag (PE) is set at the end of the last data bit. It should be cleared by software by making a read access to the status register followed by reading the data in the data register.

Once the PE flag is set by hardware, if it is cleared by software before the middle of the stop bit, it will be set again. Consequently, the software may jump several times to the same interrupt routine for the same parity error.

#### Workaround

Before clearing the Parity Error flag, the software must wait for the RXNE flag to be set.

### 2.14.2 Idle frame is not detected if receiver clock speed is deviated

#### Description

If the USART receives an idle frame followed by a character, and the clock of the transmitter device is faster than the USART receiver clock, the USART receive signal falls too early when receiving the character start bit, with the result that the idle frame is not detected (IDLE flag is not set).

#### Workaround

None.

### 2.14.3 In full duplex mode, the Parity Error (PE) flag can be cleared by writing the data register

#### Description

In full duplex mode, when the Parity Error flag is set by the receiver at the end of a reception, it may be cleared while transmitting by reading the USART\_SR register to check the TXE or TC flags and writing data in the data register.

Consequently, the software receiver can read the PE flag as '0' even if a parity error occurred.

#### Workaround

The Parity Error flag should be checked after the end of reception and before transmission.

#### 2.14.4 Parity Error (PE) flag is not set when receiving in Mute mode using address mark detection

##### Description

The USART receiver is in Mute mode and is configured to exit the Mute mode using the address mark detection. When the USART receiver recognizes a valid address with a parity error, it exits the Mute mode without setting the Parity Error flag.

##### Workaround

None.

#### 2.14.5 Break frame is transmitted regardless of nCTS input line status

##### Description

When CTS hardware flow control is enabled (CTSE = 1) and the Send Break bit (SBK) is set, the transmitter sends a break frame at the end of current transmission regardless of nCTS input line status.

Consequently, if an external receiver device is not ready to accept a frame, the transmitted break frame is lost.

##### Workaround

None.

#### 2.14.6 nRTS signal abnormally driven low after a protocol violation

##### Description

When RTS hardware flow control is enabled, the nRTS signal goes high when a data is received. If this data was not read and a new data is sent to the USART (protocol violation), the nRTS signal goes back to low level at the end of this new data.

Consequently, the sender gets the wrong information that the USART is ready to receive further data.

On USART side, an overrun is detected which indicates that some data has been lost.

##### Workaround

The lost data should be resent to the USART.

## 2.15 Timers

These limitations apply only to TIM1, TIM2 and TIM3.

### 2.15.1 Missing capture flag

#### Description

In capture mode, when a capture occurs while the CCRx register is being read, the capture flag (CCxIF) may be cleared without the overcapture flag (CCxOF) being set. The new data are actually captured in the capture register.

#### Workaround

An external interrupt can be enabled on the capture I/O just before reading the capture register (in the capture interrupt), and disabled just after reading the captured data. Possibly, a missed capture will be detected by the EXTI peripheral.

### 2.15.2 Overcapture detected too early

#### Description

In capture mode, the overcapture flag (CCxOF) can be set even though no data have been lost.

#### Conditions

If a capture occurs while the capture register is being read, an overcapture is detected even though the previously captured data are correctly read and the new data are correctly stored into the capture register.

The system is at the limit of an overcapture but no data are lost.

#### Workaround

None.

### 2.15.3 General-purpose timer: regulation for 100% PWM

#### Description

When the OCREF\_CLR functionality is activated, the OCxREF signal becomes de-asserted (and consequently OCx is deasserted / OCxN is asserted) when a high level is applied on the OCREF\_CLR signal. The PWM then restarts (output re-enabled) at the next counter overflow.

But if the PWM is configured at 100% ( $CCxR > ARR$ ), then it does not restart and OCxREF remains de-asserted.

#### Workaround

None.

## 2.16 LSI clock stabilization time

### Description

When the LSIRDY flag is set, the clock may still be out of the specified frequency range ( $f_{LSI}$  parameter, see LSI oscillator characteristics in the product datasheet).

### Workaround

To have a fully stabilized clock in the specified range, a software temporization of 100  $\mu$ s should be added.

## 2.17 USB packet buffer memory: over/underrun or COUNTn\_RX[9:0] field reporting incorrect number if APB1 frequency is below 13 MHz

### Description

The USB peripheral's packet buffer memory is expected to operate at a minimum APB1 frequency of 8 MHz.

It may however happen that, when OUT transactions are sent by the Host with a data payload size exactly equal to the maximum packet size already programmed in the COUNTn\_RX packet buffer memory (via the BLSIZE and NUM\_BLOCK[4:0] fields), the packet and all bytes from the Host are correctly received and stored into the packet buffer memory, but, the COUNTn\_RX[9:0] field indicates an incorrect number (one byte less).

### Workaround

This limitation concerns applications that check the exact number of bytes received in the packet buffer memory. In order to avoid that these applications interpret a Host error and so, stall the OUT endpoint even if no data reception error actually occurred, it is recommended to:

1. increase the APB1 frequency to a minimum of 13 MHz, or
2. increase the APB1 frequency to a minimum of 10 MHz. Then program USB\_COUNTn\_RX (via the BLSIZE and NUM\_BLOCK[4:0] fields) to have more than the number of bytes in the maximum packet size allocated for reception in the packet buffer memory

## Appendix A Revision code on device marking

Figure 2, Figure 3 and Figure 4 show the marking compositions for the LQFP64, LQFP48 and VFQFPN36 packages, respectively. The only fields shown are the Additional field containing the revision code and the Year and Week fields making up the date code.

Figure 2. LQFP64 top package view

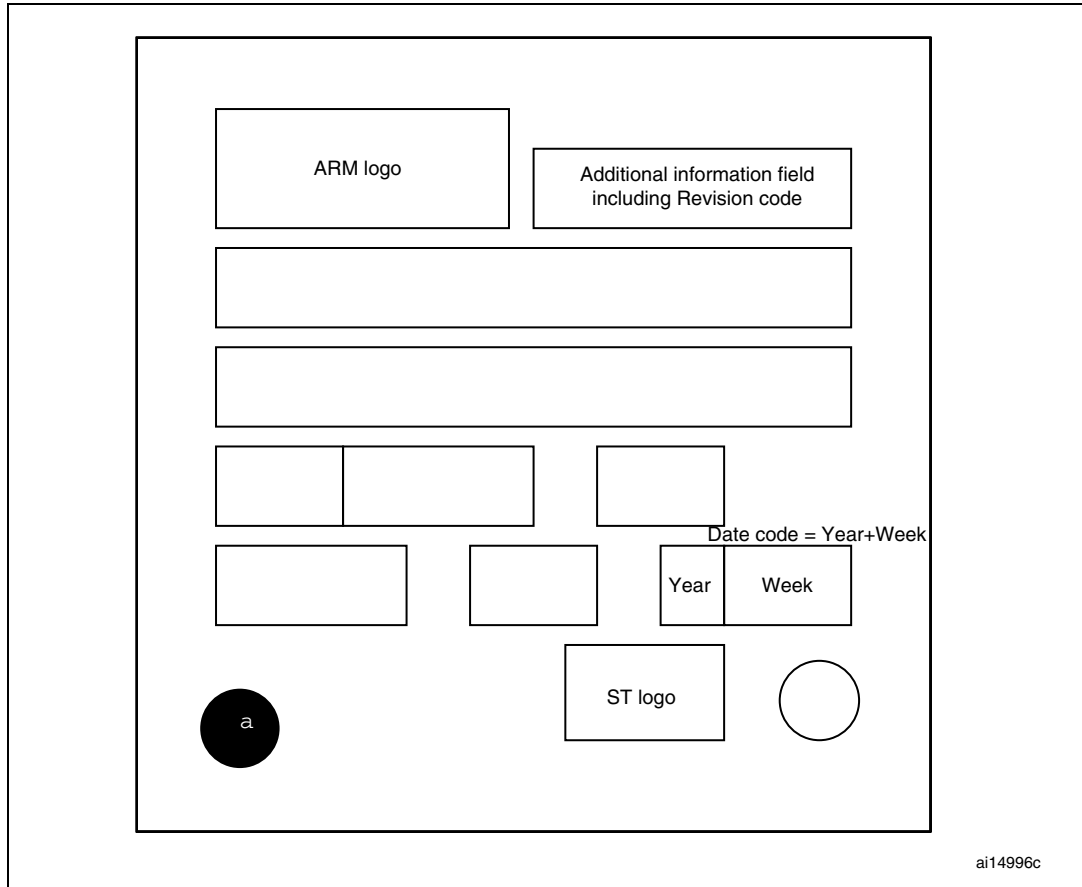


Figure 3. LQFP48 top package view

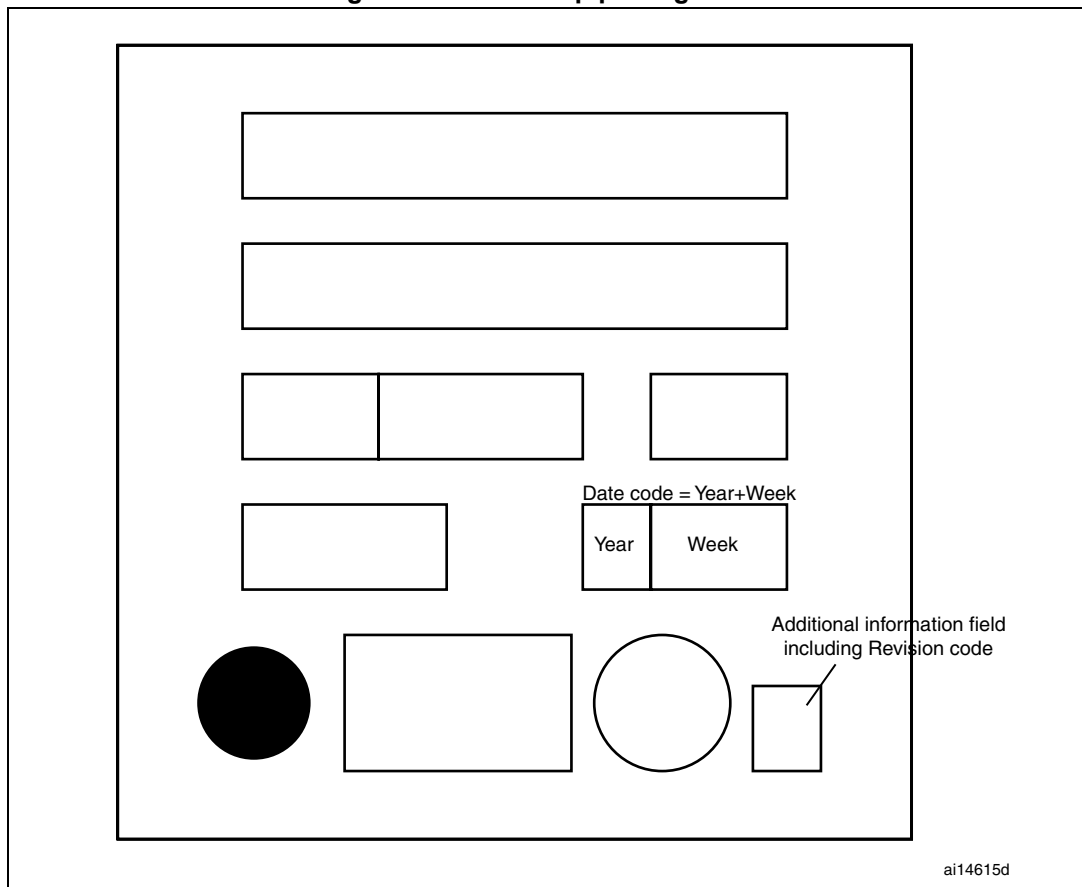
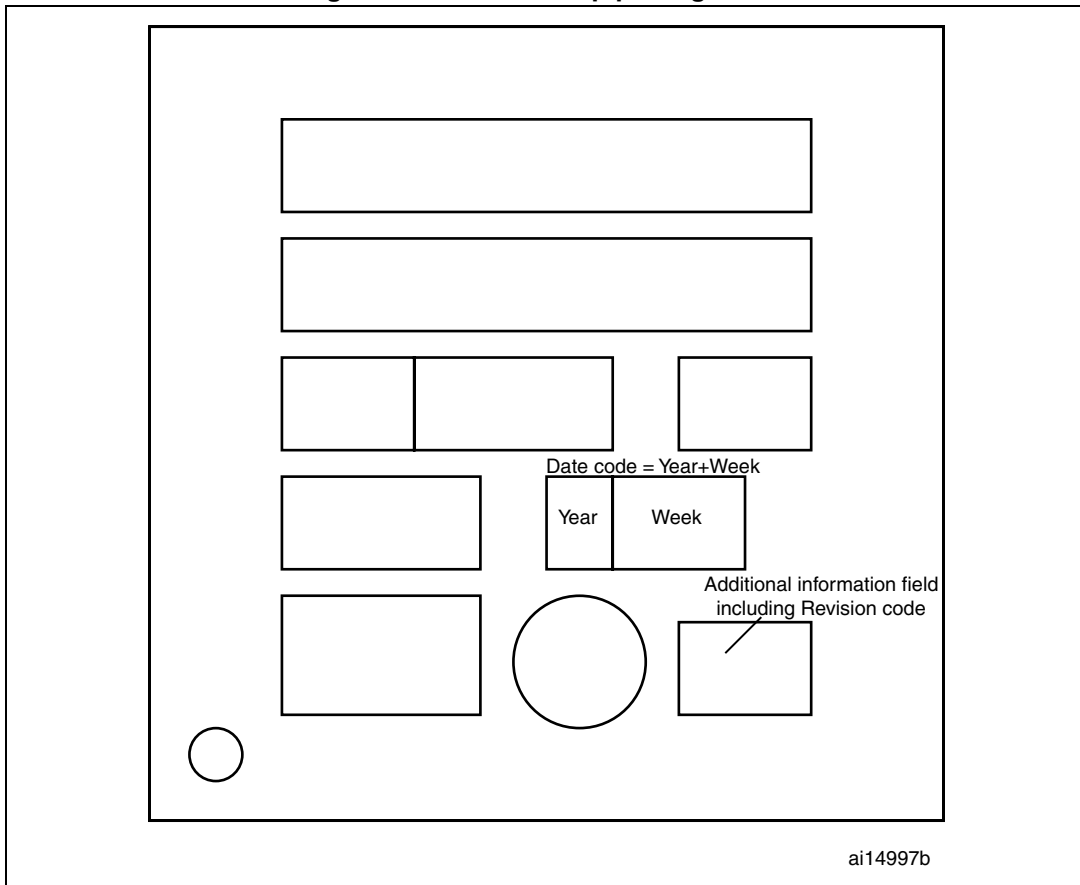


Figure 4. VFQFPN36 top package view



## Revision history

**Table 5. Document revision history**

Date	Revision	Changes
30-Sep-2008	1	Initial release.
11-Feb-2009	2	<p><i>Section 1: ARM® 32-bit Cortex®-M3 limitations</i> specified (<i>Table 3: Cortex-M3 core limitations and impact on microcontroller behavior</i> added limitations described).</p> <p>New limitation added: <i>General-purpose timer: regulation for 100% PWM on page 27.</i></p> <p>Added limitations:</p> <ul style="list-style-type: none"> <li>– <i>Boundary scan TAP: wrong pattern sent out after the “capture IR” state</i></li> <li>– <i>Flash memory BSY bit delay versus STRT bit setting</i></li> <li>– <i>I2C peripheral</i></li> <li>– <i>USART peripheral</i></li> <li>– <i>LSI clock stabilization time</i></li> </ul> <p><i>Table 4: Summary of silicon limitations on page 10</i> added.</p>
11-Jan-2010	3	<p>Added limitations:</p> <ul style="list-style-type: none"> <li>– <i>Section 2.8.6: USARTx_TX pin usage</i></li> <li>– <i>Section 2.12.4: Wrong behavior of I2C peripheral in master mode after a misplaced Stop</i></li> <li>– <i>Section 2.12.5: Mismatch on the “Setup time for a repeated Start condition” timing parameter</i></li> <li>– <i>Section 2.12.6: Data valid time (tVD;DAT) violated without the OVR flag being set</i></li> <li>– <i>Section 2.13.1: CRC still sensitive to communication clock when SPI is in slave mode even with NSS high</i></li> <li>– <i>Section 2.17: USB packet buffer memory: over/underrun or COUNTn_RX[9:0] field reporting incorrect number if APB1 frequency is below 13 MHz</i></li> </ul> <p>Date code added to <i>Figure 2</i> to <i>Figure 4</i>.</p>
21-Jun-2010	4	<p>Added <i>Section 2.4: Debugging Stop mode and system tick timer</i></p> <p>Added <i>Section 2.5: Debugging Stop mode with WFE entry</i></p> <p>Added <i>Section 2.12.2: Wrong data read into data register</i></p> <p>Updated <i>Section 2.12.4: Wrong behavior of I2C peripheral in master mode after a misplaced Stop</i></p> <p>Added <i>Section 2.14: USART peripheral</i></p> <p>Updated <i>Section 2.12.6: Data valid time (tVD;DAT) violated without the OVR flag being set</i></p>
22-Feb-2011	5	<p>Updated workarounds in <i>Section 2.12.1: Some software events must be managed before the current byte is being transferred</i> and <i>Section 2.12.2: Wrong data read into data register</i></p> <p>Added section <i>Section 2.14.6: nRTS signal abnormally driven low after a protocol violation</i></p>



Table 5. Document revision history (continued)

Date	Revision	Changes
20-Jun-2011	6	Added reference to revision code 1 in <a href="#">Table 1</a> Added <a href="#">Section 1.1.5: Interrupted loads to SP can cause erroneous behavior</a> <a href="#">Section 1.1.6: SVC and BusFault/MemManage may occur out of order</a>
07-Oct-2013	7	Added: – <a href="#">Section 2.6: Wakeup sequence from Standby mode when using more than one wakeup source</a> – <a href="#">Section 2.7: LSE start-up in harsh environments</a> – <a href="#">Section 2.12.7: I2C analog filter may provide wrong value, locking BUSY flag and preventing master mode entry</a> – <a href="#">Section 2.13.2: SPI CRC may be corrupted when a peripheral connected to the same DMA channel of the SPI is under DMA transaction close to the end of transfer or end of transfer -1</a> Updated <a href="#">Table 4: Summary of silicon limitations</a> .
26-Nov-2015	8	Updated: – <a href="#">Silicon identification</a> – <a href="#">Device Identification</a> .

**IMPORTANT NOTICE – PLEASE READ CAREFULLY**

STMicroelectronics NV and its subsidiaries ("ST") reserve the right to make changes, corrections, enhancements, modifications, and improvements to ST products and/or to this document at any time without notice. Purchasers should obtain the latest relevant information on ST products before placing orders. ST products are sold pursuant to ST's terms and conditions of sale in place at the time of order acknowledgement.

Purchasers are solely responsible for the choice, selection, and use of ST products and ST assumes no liability for application assistance or the design of Purchasers' products.

No license, express or implied, to any intellectual property right is granted by ST herein.

Resale of ST products with provisions different from the information set forth herein shall void any warranty granted by ST for such product.

ST and the ST logo are trademarks of ST. All other product or service names are the property of their respective owners.

Information in this document supersedes and replaces information previously supplied in any prior versions of this document.

© 2015 STMicroelectronics – All rights reserved