
M24128X-FCU read operations on chip enable register update

Silicon identification

This errata sheet applies to M24128X-FCU, a 128-Kbit serial I²C bus EEPROM, with configurable device address and software write protection, delivered in 4-ball CSP.

[Table 1](#) gives the list of the available part numbers impacted by this change.

Table 1. Device summary

Reference	Part number
M24128X-FCU	M24128X-FCU6T/TF

1 Description of the change

This errata sheet refers to the section and figure detailing the read operations on chip enable register of the datasheet M24128X-FCU Rev 1 (DS12680).

The section must be modified from:

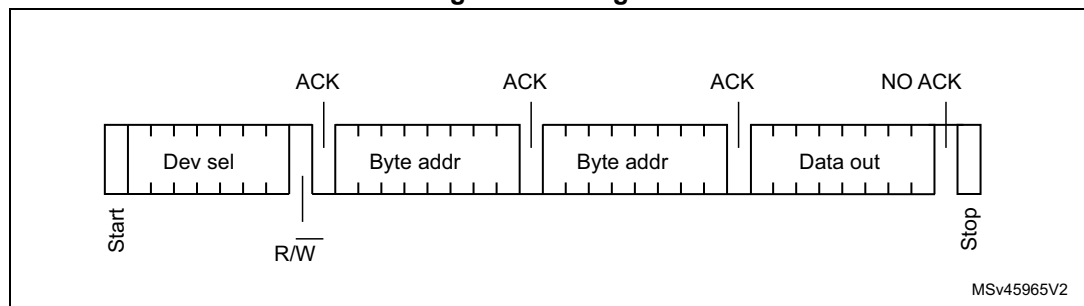
“Following a Start condition the bus master sends a device select code with the R/W bit (R/W) set to 1. The device acknowledges this and waits for the address bytes where the register is located. The device responds to each address byte with an acknowledge bit and then the master sends additional clock pulse so that the device outputs the byte of data.”

to:

“Following a start condition the bus master sends a device select code with the R/W bit (R/W) set to 0. The device acknowledges this and waits for the address bytes where the register is located. The device responds to each address byte with an acknowledge. Then, the bus master sends another start condition, and repeats the device select code with the RW bit set to 1. The device acknowledges this, and outputs the contents of the chip enable register.”

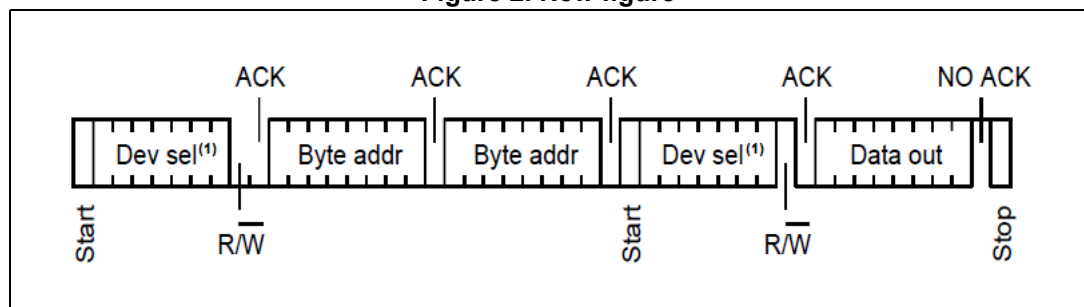
The figure must be modified as a standard random address read from:

Figure 1. Old figure



to:

Figure 2. New figure



1. The seven most significant bits of the device select code of a random read (in the first and fourth bytes) must be identical.

2 Revision history

Table 2. Document revision history

Date	Revision	Changes
11-Jul-2019	1	Initial release.

IMPORTANT NOTICE – PLEASE READ CAREFULLY

STMicroelectronics NV and its subsidiaries (“ST”) reserve the right to make changes, corrections, enhancements, modifications, and improvements to ST products and/or to this document at any time without notice. Purchasers should obtain the latest relevant information on ST products before placing orders. ST products are sold pursuant to ST’s terms and conditions of sale in place at the time of order acknowledgement.

Purchasers are solely responsible for the choice, selection, and use of ST products and ST assumes no liability for application assistance or the design of Purchasers’ products.

No license, express or implied, to any intellectual property right is granted by ST herein.

Resale of ST products with provisions different from the information set forth herein shall void any warranty granted by ST for such product.

ST and the ST logo are trademarks of ST. For additional information about ST trademarks, please refer to www.st.com/trademarks. All other product or service names are the property of their respective owners.

Information in this document supersedes and replaces information previously supplied in any prior versions of this document.

© 2019 STMicroelectronics – All rights reserved