

Multiple application platform based on STR750FV2

Introduction

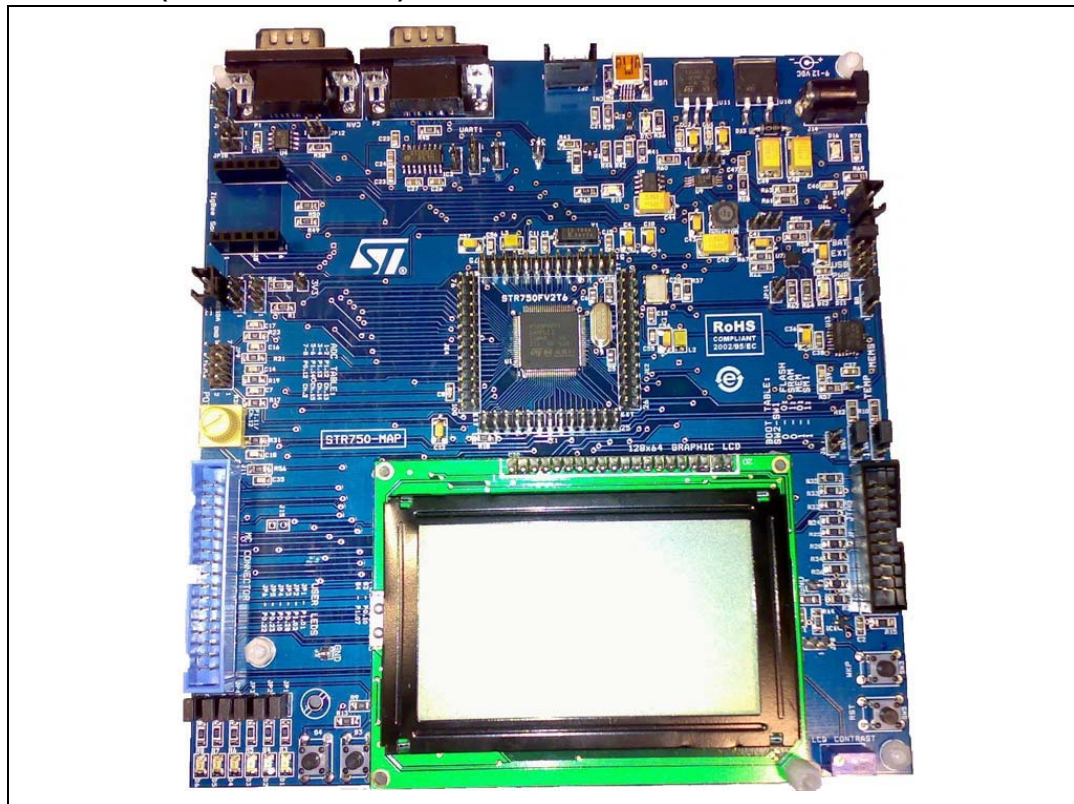
The system described in this user manual, Multiple application platform based on STR750FV2 - ARM7TDMI-S™ 32-Bit MCU, is a development board implementing a very high number of powerful features.

Figure 1 below shows the main characteristics of the system which can be connected to other systems through the BSPI (Buffered SPI) connector and the I²C connector. Advanced networking is also allowed by the new ZigBee® connector for radio link communication at 2.4 GHz. Standard serial connectivity can be established using the CAN connector (both 250 Kbps and 1 Mbps as maximum bus speed are supported), the UART connector (linked to the peripheral UART1 of the STR750FV2) and the mini-USB connector useful for data communication with a PC as well as supplying the system.

Another important feature is the 34-pin standard motor control connector and the possibility to switch between four different power sources.

Two on-board sensors are also available (inertial sensor and analog temperature sensor) in order to start with a wide application range.

Figure 1. Multiple application platform board based on STR750FV2 (STEVAL-IFS008V2)



Contents

| | | |
|----------|---|-----------|
| 1 | Definitions | 4 |
| 2 | Board architecture | 4 |
| 3 | List of features | 5 |
| 4 | Hardware configuration and functionality | 5 |
| 4.1 | Power source selector | 5 |
| 4.2 | Battery pack power source | 6 |
| 4.2.1 | How to charge the battery pack | 7 |
| 4.3 | External 5 V power sourcer | 7 |
| 4.4 | Mini-USB connector power source | 8 |
| 4.5 | Standard power supply connector | 8 |
| 4.6 | Memory boot | 8 |
| 4.7 | STR750FV2 pin-out | 9 |
| 4.8 | The motor control connector | 10 |
| 4.9 | Mini-USB connector | 12 |
| 4.10 | JTAG connector | 13 |
| 4.11 | On-board sensors | 13 |
| 4.12 | The ZigBee [®] , connector | 14 |
| 4.13 | Graphic LCD strip-line connector | 15 |
| 4.14 | CAN connector | 16 |
| 4.15 | UART connector | 17 |
| 4.16 | I ² C and BSPI connectors | 18 |
| 4.17 | ADC connector and potentiometer | 19 |
| 4.18 | User LEDs and push buttons | 20 |
| 5 | Board schematics | 22 |
| 6 | List of jumpers and selectors | 28 |
| 7 | Revision history | 32 |

List of figures

| | | |
|------------|--|----|
| Figure 1. | Multiple application platform board based on STR750FV2 (STEVAL-IFS008V2) | 1 |
| Figure 2. | System layout and architecture | 4 |
| Figure 3. | Power source selector and jumper legend | 6 |
| Figure 4. | The selector S7 allows the STR750-MAP to be supplied from the battery pack | 6 |
| Figure 5. | Selectors configuration to recharge the battery pack | 7 |
| Figure 6. | STR750FV2 pin-out and EXT power source locations | 8 |
| Figure 7. | Memory boot selectors and example of configuration | 9 |
| Figure 8. | Pin numbering in each connector composing the pin-out of the STR750FV2 | 10 |
| Figure 9. | 34-pin motor control connector | 12 |
| Figure 10. | Standard Mini-USB connector | 12 |
| Figure 11. | The JTAG connector | 13 |
| Figure 12. | The LIS3LV02DQ (on the left) and the STLM20 (on the right) packages | 14 |
| Figure 13. | A female strip-line is used as LCD socket | 16 |
| Figure 14. | DB9 male connector | 17 |
| Figure 15. | S6 selector, this configuration allows RTS functionality | 18 |
| Figure 16. | Position of jumpers in order to choose the LIS3LV02DQ accelerometer | 19 |
| Figure 17. | The I ² C bus schematic | 19 |
| Figure 18. | The ADC connector schematic | 20 |
| Figure 19. | The ADC potentiometer schematic | 20 |
| Figure 20. | User LEDs schematic | 20 |
| Figure 21. | General purpose push buttons schematic | 21 |
| Figure 22. | Main board schematic | 22 |
| Figure 23. | Communication interfaces schematic | 23 |
| Figure 24. | LCD schematic | 24 |
| Figure 25. | Motor control connector schematic | 25 |
| Figure 26. | MEMS accelerometer and temperature sensor schematics | 26 |
| Figure 27. | Battery charger unit, standard Power supply and power source selector schematics | 27 |

1 Definitions

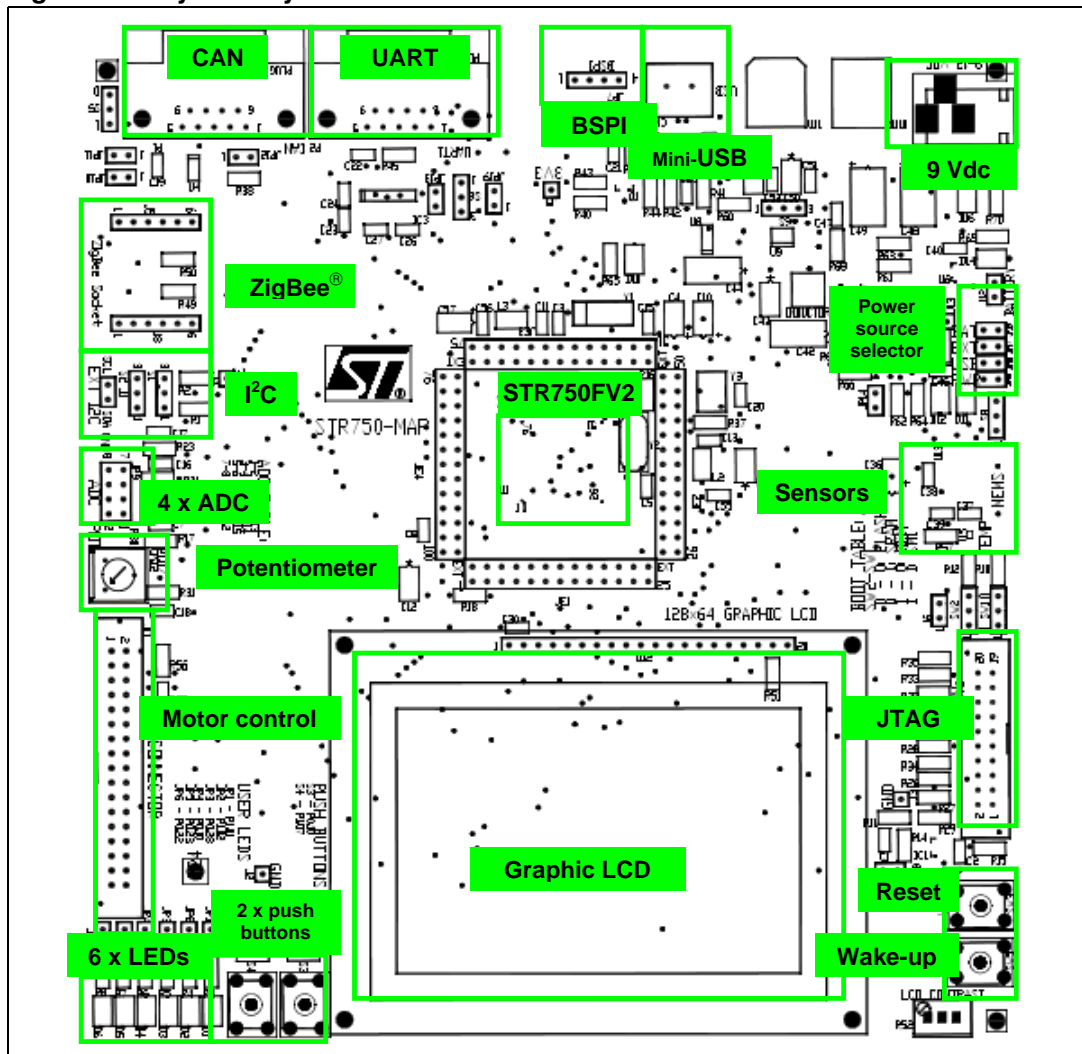
The list of definitions used in this user manual are as follows:

- STR750-MAP: Multiple Application Platform based on STR750FV2.
- ARM7TDMI-S™: 32-Bit RISC CPU with 16/32 bit instructions
- MEMS: Micro Electro Mechanical System
- MC: Motor Control

2 Board architecture

Figure 2 shows the board layout and architecture overview. The layout underlines the most important components and parts of the system.

Figure 2. System layout and architecture



3 List of features

The STR750-MAP is a system designed for a wide spectrum of high-end applications. Appreciable and innovative features are the new 12-pin socket for ZigBee® modules and the possibility to choose among four different power sources.

The board mounts the STR750FV2 microcontroller in LQFP100, 14x14 mm package. The pin-out of the STR750FV2 microcontroller is available to the users and placed around the microcontroller itself.

The list of features of the STR750-MAP board is as follows:

- STR750FV2 ARM7TDMI-S™ 32-Bit MCU
- ZigBee® socket for module based on SN260
- 34-pin Motor Control connector
- Mini-USB connector both for data and for board supply
- Battery pack connector for rechargeable battery
- 9÷12 Vdc standard power supply connector
- External 5 V power source to plug in the STR750FV2 pin-out
- 3-axis MEMS accelerometer LIS3LV02DQ
- Analog temperature sensor STLM20
- Graphic LCD strip line connector
- DB9 standard male CAN connector
- DB9 standard male RS232 connector
- JTAG connector for programming and debugging capabilities
- Reset and Wake-up push buttons
- 2 switches for memory boot capabilities
- I²C connector
- BSPi connector
- 6 user LEDs
- Potentiometer on ADC channel
- 2 general purpose push buttons

Each of this features or functionalities is fully explained in this user manual.

4 Hardware configuration and functionality

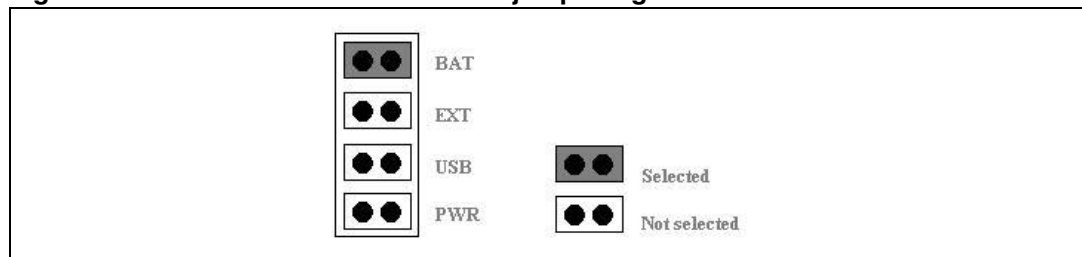
4.1 Power source selector

The STR750-MAP evaluation board is provided with a power source selector that allows the user to choose between four different ways to power the board including the possibility to recharge the external battery pack while the board is powered through the standard power 9 Vdc power supply or the mini-USB connector.

The configuration of the power source selector as appears in the silkscreen (consider the following abbreviations as a legend for the picture below) is as follows:

- BAT: the battery pack is selected as power source. To do this, close the related jumper and connect the battery pack by plugging in its connector as appropriate (see [Section 4.2: Battery pack power source](#)).
- EXT: the external 5 V power source is selected as power source.
- USB: plug in this jumper once the board is connected to a computer through the mini-USB connector in the upper side of the board.
- PWR: the standard 9 Vdc power connector is chosen and a voltage regulator (L7805AB) provides the 5 V supply to all the components in the board.

Figure 3. Power source selector and jumper legend



It is strongly recommended to not select more than one power source at a time. This is to prevent possible power source failures, with the consequence to propagate these failures to the board components.

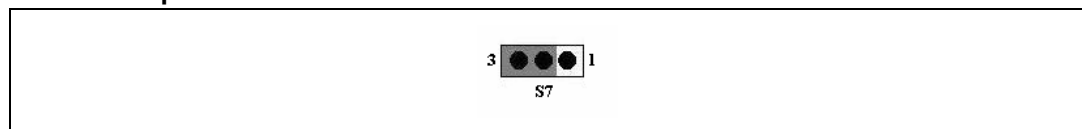
4.2 Battery pack power source

The battery pack is selected by closing the appropriate jumper as shown in the previous section.

In order to supply the STR750-MAP the following two steps are required:

- Plug the battery pack connector onto the STR750-MAP, using the 2-pin connector named BATTERY in the board silkscreen.
- Configure the 3-pin strip-line selector S7 as follows: close the middle point of the S7 selector with the point 3 (left side of the S7). In this way, the battery pack is linked to the L6920D step-up converter in order to furnish the right voltage to all the components (see [Figure 4](#)).

Figure 4. The selector S7 allows the STR750-MAP to be supplied from the battery pack



As an alert feature, an LED is placed to give a warning if a low battery level occurs (LED D10).

The two types of batteries that can be connected to the board to allow all features are the graphite anode single cell Li-Ion or Li-Polymer. The low threshold voltage detector is fixed at 2.7 V (considering the use of a battery pack at typically 3.7 V/1360 mAh).

When another power source (USB, 9 Vdc) is selected, it is possible to recharge the battery pack. The L6924D battery charger system performs this task.

4.2.1 How to charge the battery pack

It is possible to charge a battery pack connected to the STR750-MAP while the board is powered through the power supply or the USB connector. Although the first method is outlined, the procedure to implement the charge phase is the same for both ways.

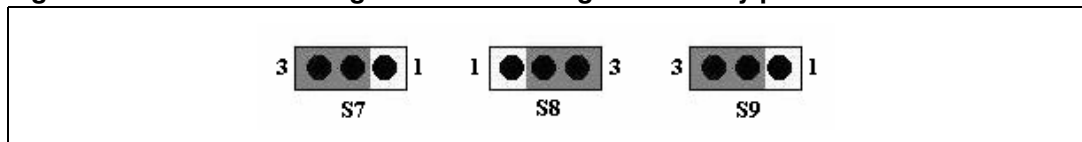
First of all, the STR750-MAP needs to be supplied. For example, plug in the 9÷12 Vdc power supply connector (closing the appropriate jumper).

As a second step, connect the battery pack to the connector, without closing the correspondent jumper in the power source selector.

To set up the recharging process, follow these steps:

1. Close the selector S7 in the position 1-2: this is to connect the battery to the recharging circuit.
2. Close the selector S8 in the position 2-3: this is in order to select 5 V standard power source.
3. Close the selector S9 in the position 1-2: by doing this, the L6920 and its circuitry is switched off in order to save power.

Figure 5. Selectors configuration to recharge the battery pack



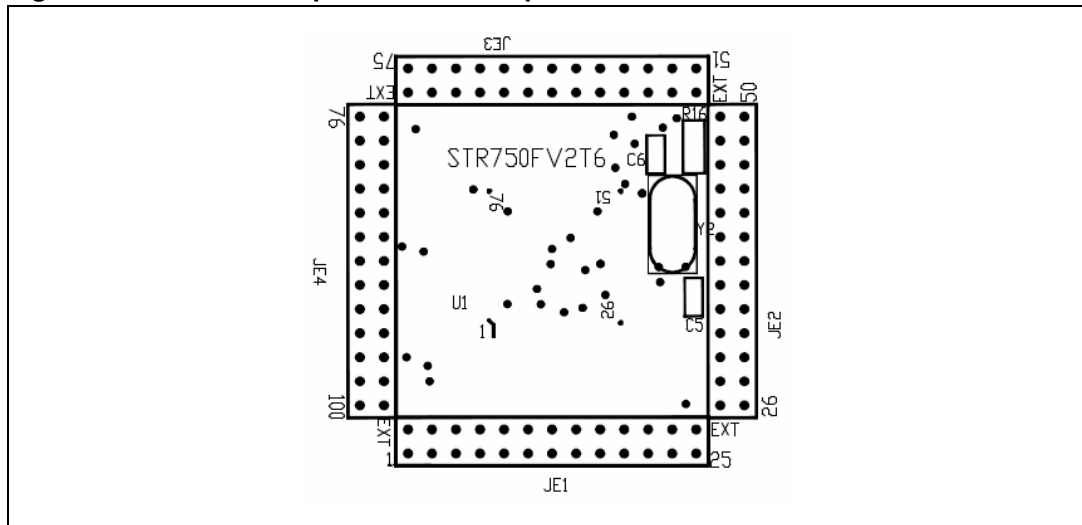
4.3 External 5 V power sourcer

It is possible to plug in an external 5 V power source by closing the jumper EXT in the power source selector.

This feature makes the STR750-MAP highly versatile. Since this power source has no specific connectors, the only way to furnish 5 V to the STR750-MAP, comes directly from the STR750FV2 pin-out placed around the microcontroller itself.

In this way, the user can make his own interface board or connect it directly to the microcontroller's pins.

Take care to follow these simple steps: the external 5 V can operate only if the EXT (see [Figure 3](#)) jumper is closed. After this, the 26th pin of the connectors J1, J2, J3 and J4 placed around the microcontroller (see the following [Figure 6](#)), is available to receive the external supply. Pay attention when connecting boards outputting 600 mA as maximum current in order to preserve the STR750-MAP functionalities from damage.

Figure 6. STR750FV2 pin-out and EXT power source locations

4.4 Mini-USB connector power source

In order to use the mini-USB connector as power source, close the related jumper as described in [Section 4.1: Power source selector on page 5](#) (be sure that the other jumpers are open) and then plug the mini-USB cable onto the connector.

This feature can have an impact on the battery charge capabilities of the STR750-MAP as described in [Section 4.2](#).

The USB unit integrates a 48 MHz clock for data management and a USBLC6-2P6 application specific device for very low capacitance ESD protection circuit (see the schematics in [Figure 23](#)).

4.5 Standard power supply connector

The standard power supply connector is named as PWR in the board silkscreen and, once closed, the STR750-MAP is powered using both laboratory equipment and a common 9÷12 Vdc power supply source.

This power source also impacts the battery charge capabilities of the board.

4.6 Memory boot

The STR750-MAP evaluation board allows the user to run the STR750FV2 choosing between 4 memory modes in order to perform the boot phase.

To make the appropriate choice for your application, refer to the boot table printed onto the board silkscreen. This table is given here with the associated selectors (see [Table 1](#)).

SW1 corresponds to Boot1/CS2 in the schematics, on the right side (boundary part of the board). SW2 corresponds to Boot0 pin in the microcontroller and in the schematics (refer to the related schematics in [Figure 22](#)).

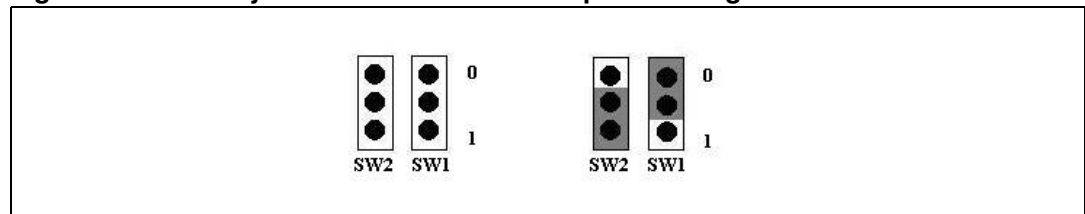
Following the STR750FV2 datasheet, the boot table given in [Table 1](#) and [Figure 7](#) could be useful to clarify the layout.

Table 1. Boot table

| Memory model | SW2 - SW1 |
|--------------|-----------|
| FLASH | 0-0 |
| SRAM | 0-1 |
| MEM | 1-0 |
| SMI | 1-1 |

In [Table 1](#) above, the "0-0" configuration corresponds to the boot from the embedded FLASH memory sector "B0F0" mapped at 0h. The configuration "0-1" corresponds to the embedded SRAM mapped at 0h. The configuration "1-0" corresponds to the boot from the system memory mapped at 0h. Finally the configuration "1-1" corresponds to the boot from external SMI bank 0 mapped at 0h.

Figure 7. Memory boot selectors and example of configuration



The configuration chosen here corresponds to the MEM memory model.

4.7 STR750FV2 pin-out

To enhance debugging features as well as the possibility to easily connect a secondary board, the whole pin-out of the microcontroller is available to the users and located around the microcontroller.

The pin-out is arranged around the microcontroller with 4 connectors placed one per side.

Since the LQFP100 package is used, each connector is composed of 26 pins with the last pin as a spare for the STR750FV2 pin-out.

The 26th of each connector is used as 5 V external power source when the jumper EXT in the power source selector is closed (see [Section 4.3](#) for details).

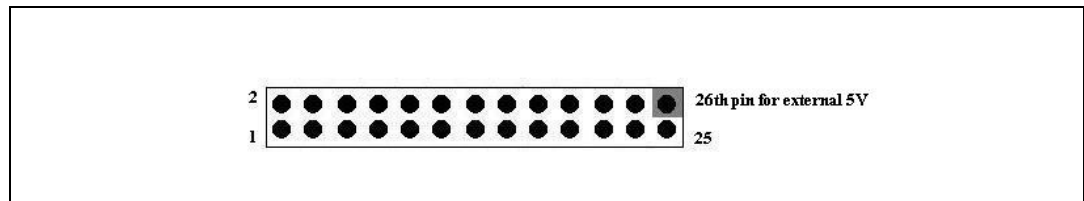
To facilitate the use of this pin-out, the pin correspondence is printed close to each connector.

[Table 2](#) and [Figure 8](#) show the numbering for the connector related to pin 1 to 25 (connector JE1 in the layout). The same numbering is used for the other connectors, where the last pin is connected for the external 5 V supply. [Table 2](#) describes the connector/pin-out association.

Table 2. Connector to MCU pins correspondence table

| Connector name | STR750FV2 pin correspondence |
|----------------|---|
| JE1 | 1÷25 (26 th pin used for external 5 V) |
| JE2 | 26÷50 (26 th pin used for external 5 V) |
| JE3 | 51÷75 (26 th pin used for external 5 V) |
| JE4 | 76÷100 (26 th pin used for external 5 V) |

Figure 8. Pin numbering in each connector composing the pin-out of the STR750FV2



4.8 The motor control connector

The STR750FV2 is an MCU suited for Motor Control applications since it embeds timers which can be used for dead time generation and edge/center aligned waveform emergency stop. This feature makes it ideal for induction and brushless DC motor control.

The STR750-MAP is provided with a 34-pin fully featured connector (J11 in the board layout) dedicated to these kinds of applications.

Table 3 below lists the association between each connector pin and the related functionality and microcontroller pin correspondence.

Table 3. Motor control connector and STR750FV2 pins correspondence

| Connector pin | Name | Function | STR750FV2 pin |
|---------------|----------|---------------------------|---------------|
| 1 | MC_EMGCY | Emergency stop | 80 |
| 2 | None | Ground | - |
| 3 | PWM_UH | High side PWM for U phase | 109 |
| 4 | None | Ground | - |
| 5 | PWM_UL | Low side PWM for U phase | 209 |
| 6 | None | Ground | - |
| 7 | PWM_VH | High side PWM for V phase | 208 |
| 8 | None | Ground | - |
| 9 | PWM_VL | Low side PWM for V phase | 207 |
| 10 | None | Ground | - |
| 11 | PWM_WH | High side PWM for W phase | 206 |
| 12 | None | Ground | - |
| 13 | PWM_WL | Low side PWM for W phase | 205 |

Table 3. Motor control connector and STR750FV2 pins correspondence

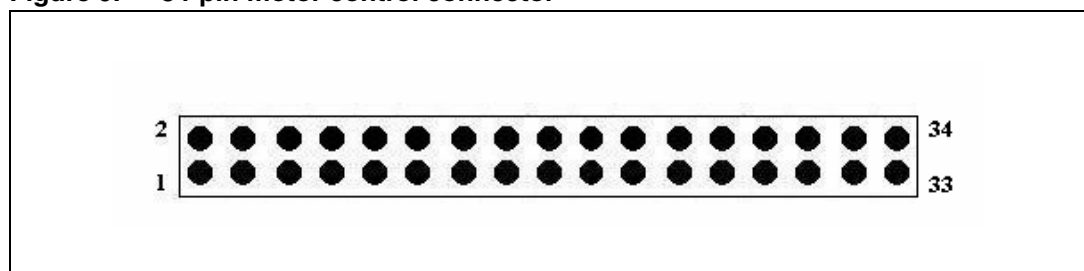
| Connector pin | Name | Function | STR750FV2 pin |
|---------------|---------|--|---------------|
| 14 | | Bus voltage | 27 |
| 15 | | Current phase A | 108 |
| 16 | None | Ground | - |
| 17 | | Current phase B | 106 |
| 18 | None | Ground | - |
| 19 | | Current phase C | 104 |
| 20 | None | Ground | - |
| 21 | | NTC bypass relay | 204 |
| 22 | None | Ground | - |
| 23 | | Dissipation brake PWM | 100 |
| 24 | None | Ground | - |
| 25 | VCC 5 V | 5 V | - |
| 26 | | Heat sink temperature | 29 |
| 27 | | PFC (Power Factor Corrector) synchronization | 31 |
| 28 | +3V3 | 3.3 V | - |
| 29 | | PFC PWM | 30 |
| 30 | None | Ground | - |
| 31 | | Encoder A | 3 |
| 32 | None | Ground | - |
| 33 | | Encoder B | 33 |
| 34 | | Encoder index | 1 |

In applications where the 5 V supply comes from the motor control connector, all the jumpers of the power selector must be open.

Of course, if the 5 V is furnished from the STR750-MAP to the MC, choose the appropriate supply from the power supply selector by closing the corresponding source.

Pay particular attention also when using jumper J15. It allows the user to provide 3.3 V to the MC connector, when it is closed (jumper J15 is open by default). In any case, 3.3 V cannot be supplied by the motor control connector.

Figure 9. 34-pin motor control connector



4.9 Mini-USB connector

The mini-USB connector provides both data management features as well as board supply operations (board supply and battery pack recharge), see [Figure 10](#) and [Table 4](#).

Figure 10. Standard Mini-USB connector

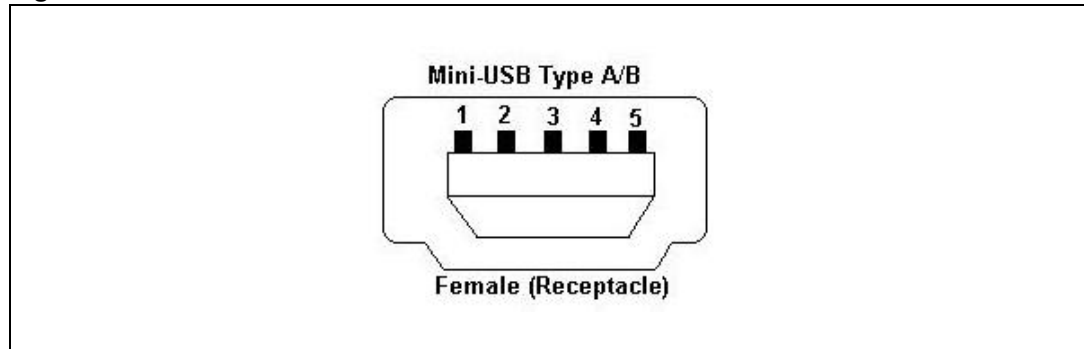


Table 4. Pins and signals correspondence for the Mini-USB connector

| Pin number | Name | Colour | Notes |
|------------|------|--------|--------------------------|
| 1 | VBus | Red | Power |
| 2 | D- | White | Data - |
| 3 | D+ | Green | Data + |
| 4 | ID | - | Type A – GND/Type B - NC |
| 5 | GND | Black | Ground |

This standard connector is defined as part of the USB-OTG (USB On The Go) enhancement. It features a single connector type (A or B) and peer-to-peer operations.

The configuration present on the STR750-MAP is Type B, as pin 4 is not connected (NC in the table).

The USB-OTG is a supplement to the USB 2.0 (or USB 1.0) specifications that allow USB devices to have more flexibility in managing USB connections.

As known, the standard USB (USB 1.1/2.0) uses Master/Slave architecture. A USB host acts as a Master and a USB peripheral (aka USB Device) acts as a Slave. Only the USB host can schedule the configuration and data transfers over the link, while the USB peripherals cannot initiate data transfers. They only respond to instructions given by a Host.

The USB-OTG compatible devices are able to initiate the session, control the connection and exchange Host/Peripheral roles between each other.

With this new architecture, two new protocols are introduced: SRP (Session Request Protocol) and HNP (Host Negotiation Protocol).

Two new classes of devices are defined: OTG A-device and OTG B-device. This terminology defines which side supplies power (VBUS) to the link. The OTG A-device is a supplier and an OTG B-device (our case) is a consumer. The default link configuration is that A-device is Host and B-device is a Peripheral (this may be reversed later by using HNP).

These devices are fully backward compliant with USB 1.1/2.0 and behave as standard USB Hosts or Peripherals when connected to standard (no OTG) USB devices.

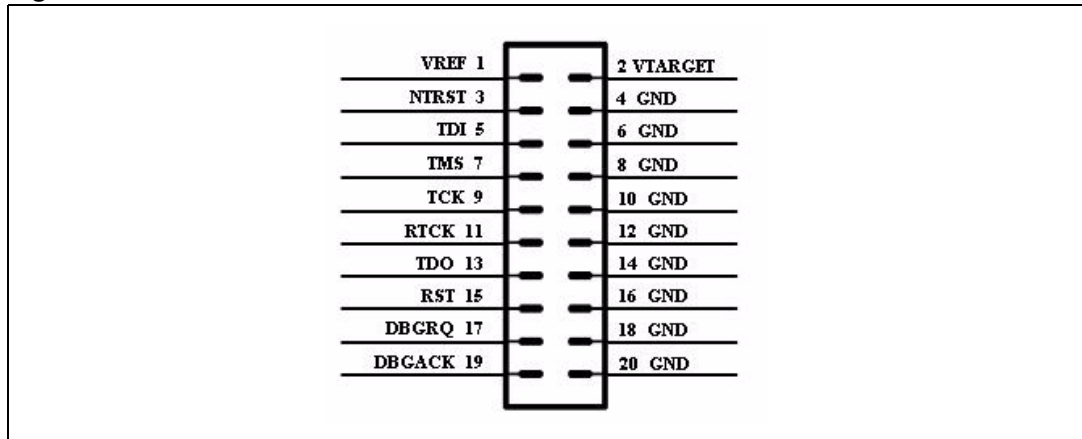
The USB-OTG standard defines only one-to-one connection. Contrary to the standard USB there are no USB Hubs defined by the USB-OTG. Connecting the USB hub between two OTG devices leads to losing all USB-OTG capabilities.

4.10 JTAG connector

To allow enabling of debug features as well as programming capabilities, the STR750-MAP is equipped with a standard JTAG connector.

Figure 11 below shows how the pins and the corresponding signals are placed in the JTAG connector.

Figure 11. The JTAG connector



4.11 On-board sensors

As described in the features list of the board, the STR750-MAP is provided with one 3-axis digital MEMS accelerometer (the LIS3LV02DQ) and one analog temperature sensor (the STLM20).

Both sensors are mounted with their package size (QFN28 and UDFN4 package respectively).

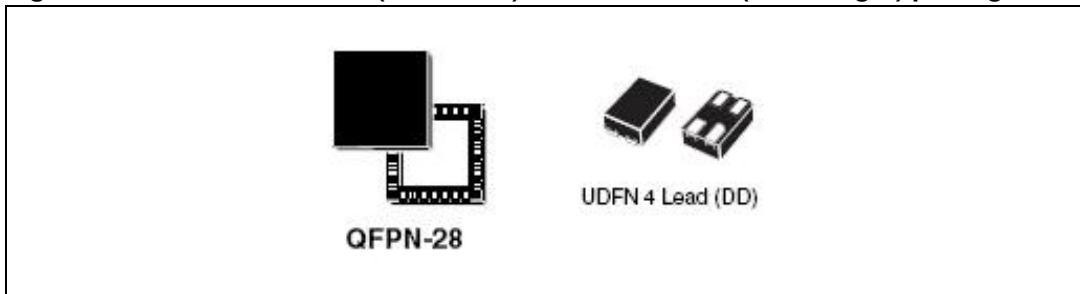
While the temperature sensor provides only the analog output (connected to the ADC channel 0, pin number 2 in the microcontroller pin-out), the accelerometer could output both I²C and SPI digital serial output. As a design choice, the STR750-MAP allows the on-board accelerometer to communicate with the STR750FV2 using only the I²C serial bus (the CS pin is fixed at 3.3 V).

The board offers the possibility to disconnect this I²C bus from the accelerometer, allowing the microcontroller to communicate with external peripherals using this bus at 3.3 V as V_{CC} with both standard and fast protocol variants.

To manage these settings, refer to [Section 4.16: I2C and BSPI connectors on page 18](#).

The packages are described in [Figure 12](#), where on the left side is the QFN28 package of the accelerometer, and on the right side is the UDFN4 package of the temperature sensor. Refer to the device datasheet in the [Reference](#) section for further details.

Figure 12. The LIS3LV02DQ (on the left) and the STLM20 (on the right) packages



For the electrical connections refer to the schematics (see [Figure 26 on page 26](#)).

4.12 The ZigBee® connector

The ZigBee® connector is designed as two adjacent female connectors, each composed of six pins. It is made to host the ZigBee® module based on SN260 and adapter in the STR750-MAP.

This socket allows the access to the EZSP (Ember Zeternet Serial Protocol).

To localize the connector position inside the board, see the board architecture in [Section 3: List of features on page 5](#).

The socket description is defined as follows: [Table 5](#) and [Table 6](#) show the pin-out of the connector (ZigBee® module interface connectors J8 and J9), while [Table 7](#) illustrates pin functionality.

By means of the ZigBee® connector, the EZSP may be accessed through the SPI protocol. [Table 5](#) and [Table 6](#) show the connectors J8 and J9.

Table 5. Connector J8 of the ZigBee® socket

| Signal name | Pin no |
|-------------|--------|
| VBRD | 1 |
| MOSI | 2 |
| MISO | 3 |
| SCLK | 4 |
| nSSEL | 5 |
| GND | 6 |

Table 6. Connector J9 of the ZigBee® socket

| Signal name | Pin no |
|-------------|--------|
| VBRD | 1 |
| HOST_INT | 2 |
| WAKE | 3 |
| RSTB | 4 |

Table 6. Connector J9 of the ZigBee® socket (continued)

| Signal name | Pin no |
|-------------|--------|
| GND | 5 |
| GND | 6 |

Table 7. Signal description of the ZigBee® socket

| Pin no | Signal name | Direction ⁽¹⁾ | Description |
|--------|------------------|--------------------------|---|
| J8.1 | VBRD | Power | 3.3 V power supply for ZigBee® module |
| J8.2 | MOSI (P0.18) | Input | SPI data, Master Out/Slave In (from STR750FV2 to SN260) |
| J8.3 | MISO (P0.17) | Output | SPI data, Master In/Slave Out (from SN260 to STR750FV2) |
| J8.4 | SCLK (P0.16) | Input | SPI clock (STR750FV2 to SN260) |
| J8.5 | nSSEL (P0.25) | Input | Active low SPI slave select (STR750FV2 to SN260) |
| J8.6 | GND | Power | Ground connection |
| J9.1 | VBRD | Power | 3.3 V power supply for ZigBee® module |
| J9.2 | HOST_INT (P1.05) | Output | Host interrupt (from SN260 to STR750FV2) |
| J9.3 | WAKE (P0.24) | Input | Wake interrupt (from STR750FV2 to SN260) |
| J9.4 | RSTB (P2.03) | Input | Active low chip reset (internal pull-up) |
| J9.5 | GND | Power | Ground connection |
| J9.6 | GND | Power | Ground connection |

1. With respect to the ZigBee® module based on SN260 with adapter

The HOST_INT signal is at 3.3 V pull-up through a 4.7 kΩ resistor (R49) in series with a 0 Ω resistor (R50). In this way the HOST_INT does not bounce in an unknown state if the SN260 is in reset.

In each case the pull-up can be excluded by unsoldering the R50 resistor.

4.13 Graphic LCD strip-line connector

A standard 20-pin strip-line is dedicated to the control of a graphic 128x64 LCD.

The board is designed to host the LCD in the applications where it is needed, with the possibility to remove it when unnecessary, in order to save power.

[Table 8](#) gives pin correspondence and [Figure 13](#) shows pin arrangement and organization.

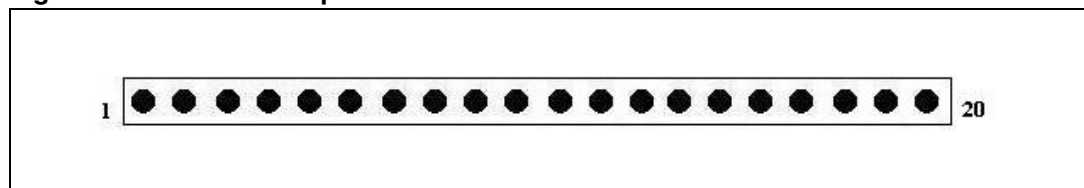
Table 8. LCD socket pin description

| Pin no | Name | STR750FV2 pin |
|--------|---------|---------------|
| 1 | GND | - |
| 2 | Vcc 5 V | - |
| 3 | V0 | - |
| 4 | D/I | 219 |

Table 8. LCD socket pin description (continued)

| Pin no | Name | STR750FV2 pin |
|--------|--------|---------------|
| 5 | RnotW | 200 |
| 6 | E | 218 |
| 7 | DB0 | 210 |
| 8 | DB1 | 211 |
| 9 | DB2 | 212 |
| 10 | DB3 | 213 |
| 11 | DB4 | 214 |
| 12 | DB5 | 215 |
| 13 | DB6 | 216 |
| 14 | DB7 | 217 |
| 15 | CS1 | 201 |
| 16 | CS2 | 202 |
| 17 | notRST | 59 |
| 18 | Vout | - |
| 19 | A | - |
| 20 | K | - |

Figure 13. A female strip-line is used as LCD socket



4.14 CAN connector

The board is equipped with a standard DB9 male connector to enhance networking capabilities, especially in industrial and factory automation environments.

The physical layer of the CAN protocol is implemented through the L9616 transceiver. It allows the peripheral to reach standard communication speeds (up to 250 Kbps and up to 1 Mbps) which can be done by setting the selector S5 (located close to the CAN connector, see [Figure 2](#)) as appropriate. Taking the middle point of this selector as a reference, and closing this one with pin number 3 (0 in the board silkscreen), the device runs at 1 Mbps as maximum speed. Closing the middle point of S5 with pin number 1 in the layout (1 in the board silkscreen), the communication speed is limited to 250 Kbps.

Independently of the speed you select, you must close jumper JP12 to connect the termination resistor, in order to close the communication line on the STR750FV2 side.

Jumpers JP10 and JP11 also must be closed to allow communication. They connect the Tx and Rx pins of the transceiver with pins 64 and 63 of the microcontroller respectively, linking the peripheral to the physical layer of the communication protocol.

Refer to [Figure 14](#) and [Table 9](#) for further details of the connector.

Figure 14. DB9 male connector

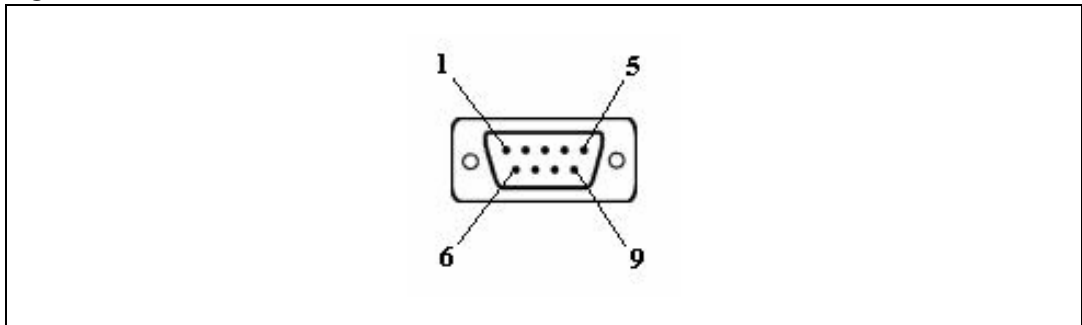


Table 9. Pin numbering for the CAN connector

| Pin number | Function |
|------------|----------|
| 1 | NC |
| 2 | NC |
| 3 | GND |
| 4 | CAN_L |
| 5 | NC |
| 6 | NC |
| 7 | NC |
| 8 | CAN_H |
| 9 | GND |

4.15 UART connector

Other networking capabilities are offered by the UART connector on the board. It is linked to the UART1 peripheral of the microcontroller through a ST202EC transceiver, using pins 11, 16 and 17 of the microcontroller itself, respectively for RTS, Tx and Rx capabilities.

The jumper JP19 near the transceiver, once closed, enables the CTS functionality. If open the corresponding shared pin of the microcontroller (pin 15) can be used by the EXT connector.

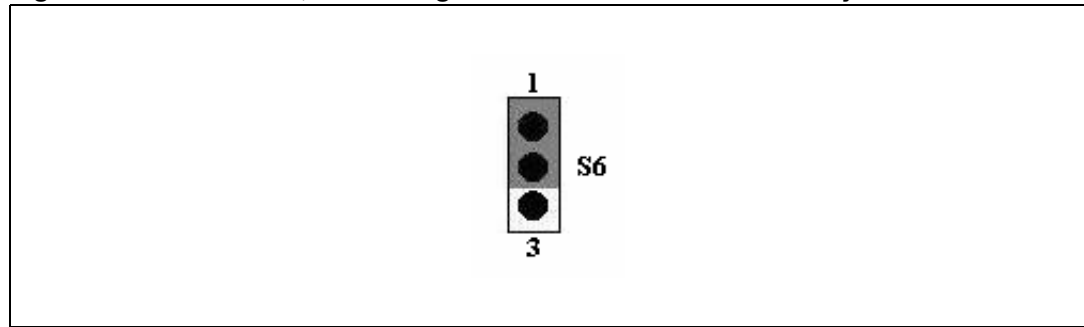
Before having a look at the pin correspondence [Table 10](#) (the connector is a DB9 male as the one used for CAN), a brief description of the S6 selector is needed.

If you close between the middle point and point 1 (upper side, near the connector), you enable the RTS functionality, at the same time the jumper JP13 must be closed. Elsewhere, if you close the middle pin with pin 3 you enable the NULL Modem mode (at the same time jumper JP13 must be opened).

Table 10. Pin numbering for the UART connector

| Pin number | Function |
|------------|----------|
| 1 | - |
| 2 | Rx1 |
| 3 | Tx1 |
| 4 | - |
| 5 | GND |
| 6 | - |
| 7 | Tx2 |
| 8 | Rx2 |
| 9 | NC |

Figure 15. S6 selector, this configuration allows RTS functionality



4.16 I²C and BSPI connectors

Both the I²C and BSPI connectors are shared with other devices placed on the board, but they are useful in order to allow on-system communication capabilities for the STR750-MAP.

The I²C peripheral bus of the microcontroller shares the pin between the 3-axis accelerometer and the connector for external devices.

Starting from the microcontroller pin out, pins 29 and 30, SDA and SCL respectively, are connected to the middle points of two 3-pin strip-line selectors, S2 and S1 respectively. If both these selectors are closed between the middle point and the point 3, we connect the microcontroller to the I²C bus of the accelerometer sensor. If we close between their middle point and point 1, the microcontroller is connected to the external I²C connector, allowing communication with an external device respecting the I²C standard protocol specifications.

The left diagram in [Figure 16](#) shows the configuration to select the accelerometer on the I²C bus. The diagram on the right is extracted from the schematic.

Figure 16. Position of jumpers in order to choose the LIS3LV02DQ accelerometer

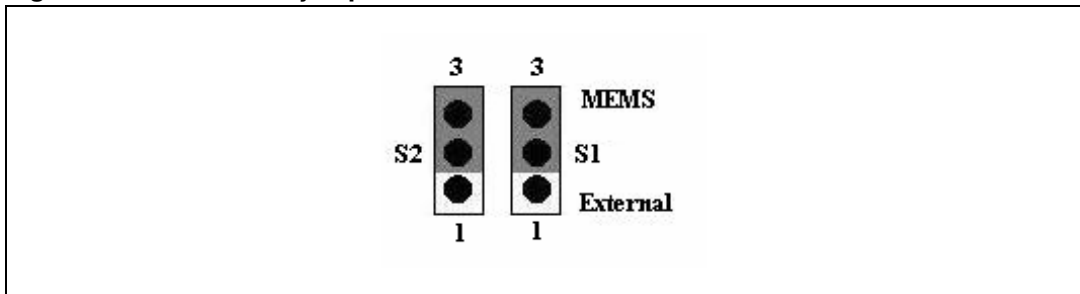
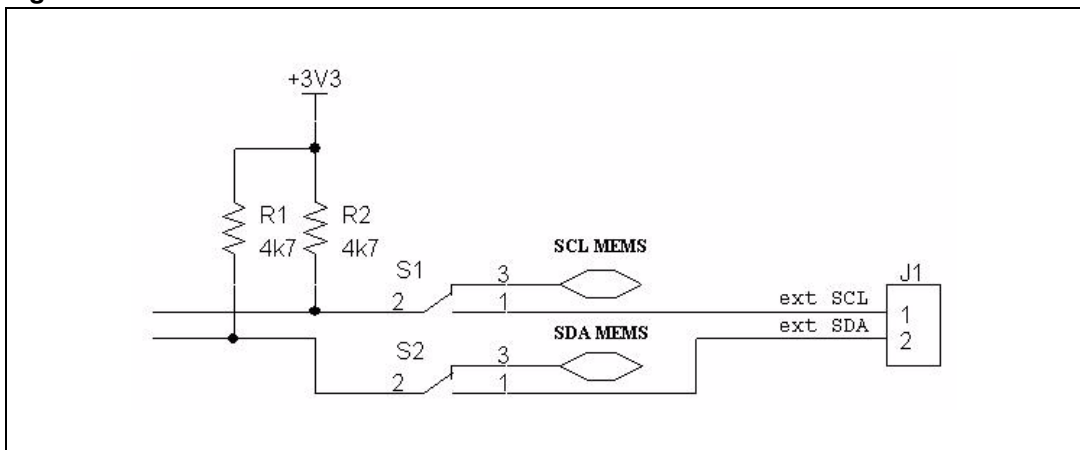


Figure 17. The I²C bus schematic



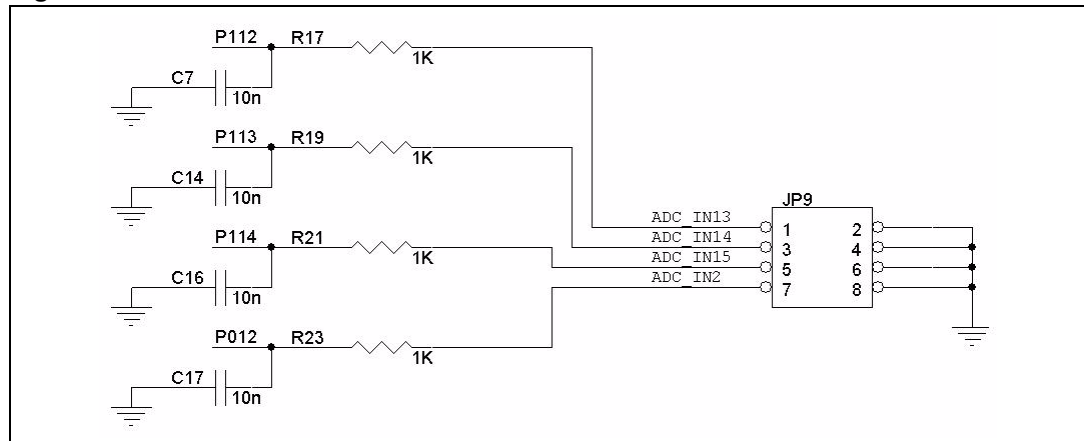
In order to allow capabilities such as system interconnectivity, the BSPI (Buffered SPI) connector is available to the users. It is located adjacent to the mini-USB connector (see [Figure 2](#) for the component placement) and the pin correspondance is described in the related schematics (see [Figure 22](#)).

4.17 ADC connector and potentiometer

The STR750-MAP offers the possibility to connect analog devices and/or signal generators, directly to the ADC peripheral by using a 4-input ADC connector.

These input channels are provided with a RC filter with parameters calculated using the lowest conversion time allowed by the STR750FV2: 3.75 μ s. [Figure 18](#) shows the schematic of the connector and the corresponding pin-out.

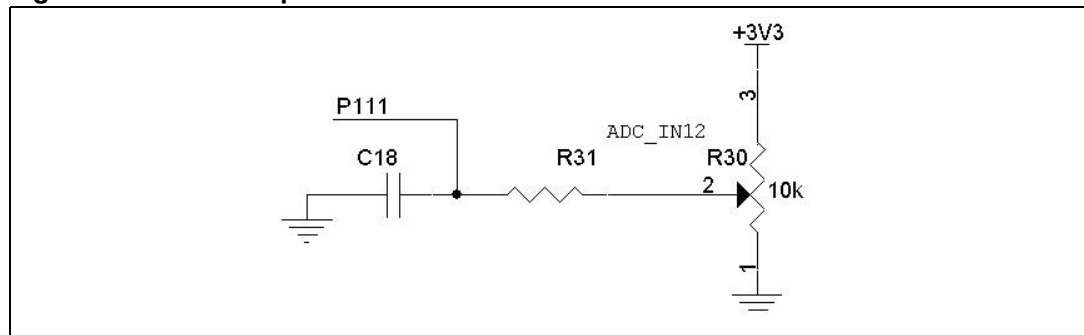
Figure 18. The ADC connector schematic



The ADC peripheral channels used for this connector are: 2, 13, 14 and 15, connected to pins P0.12, P1.12, P1.13 and P1.14 respectively.

The dedicated potentiometer (useful to test the peripheral features) is also present in the STR750-MAP layout adjacent to the connector. It is attached to the ADC channel 12 (pin P1.11): see [Figure 19](#) below.

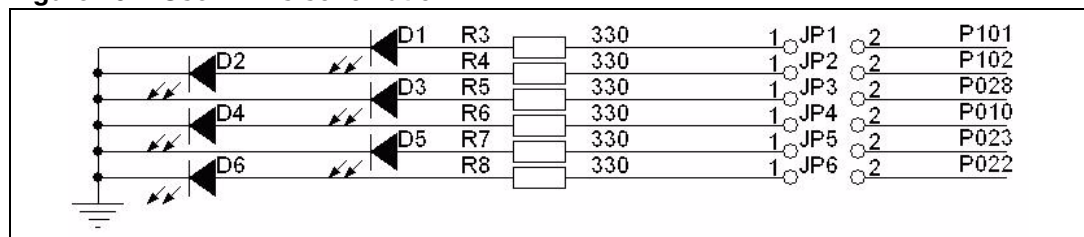
Figure 19. The ADC potentiometer schematic



4.18 User LEDs and push buttons

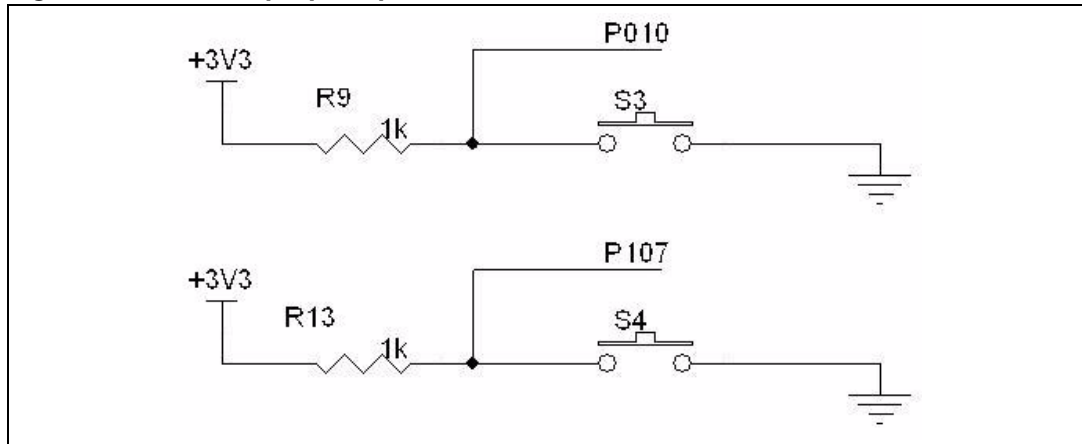
As well as the ADC connector and potentiometer, debugging and testing capabilities of the user specific applications are also supported by 6 on-board user LEDs and 2 push buttons. Each LED is accessible by connecting the correspondent jumper which is to minimize the load effects on the other peripherals that use the same pin-out (i.e. the user LEDs attached to pins P0.22 and P0.23 share this port with the UART connector circuit). These jumpers are given in [Figure 20](#) and are also illustrated in the board silkscreen.

Figure 20. User LEDs schematic



The two push buttons are attached to pins P0.10 and P1.07 (external interrupt 4 and 8 respectively), see [Figure 21](#).

Figure 21. General purpose push buttons schematic



5 Board schematics

Figure 22. Main board schematic

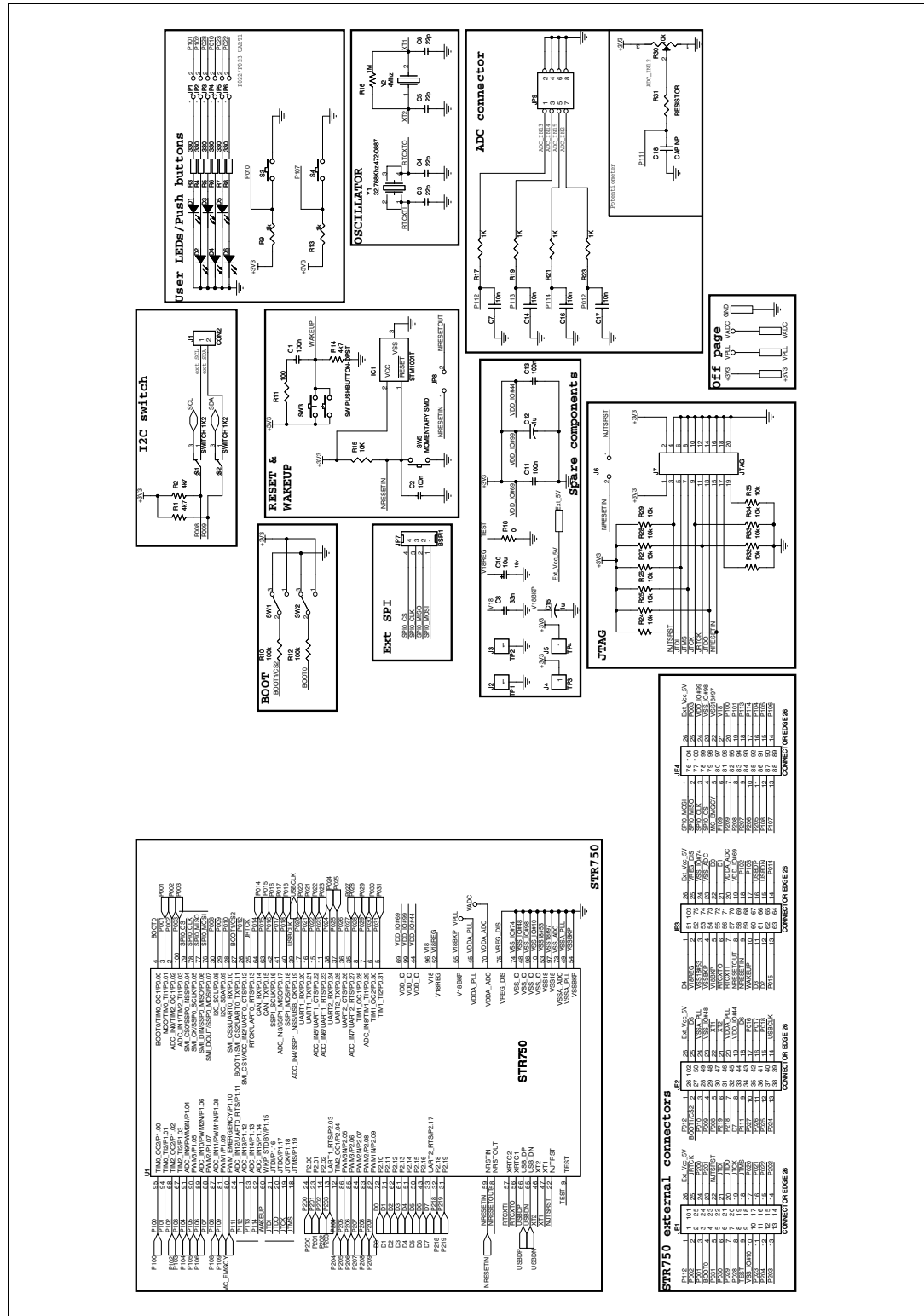


Figure 23. Communication interfaces schematic

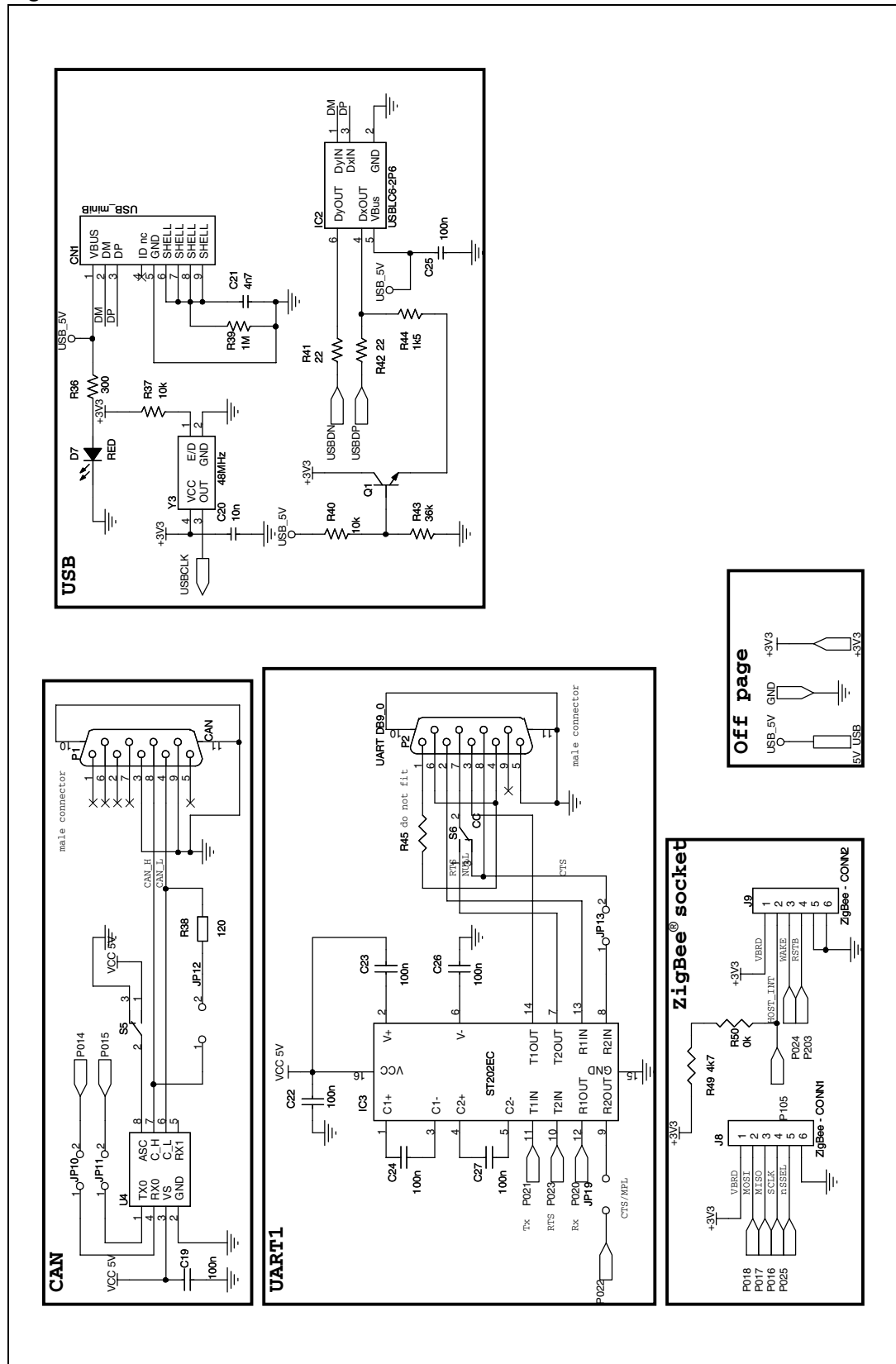


Figure 24. LCD schematic

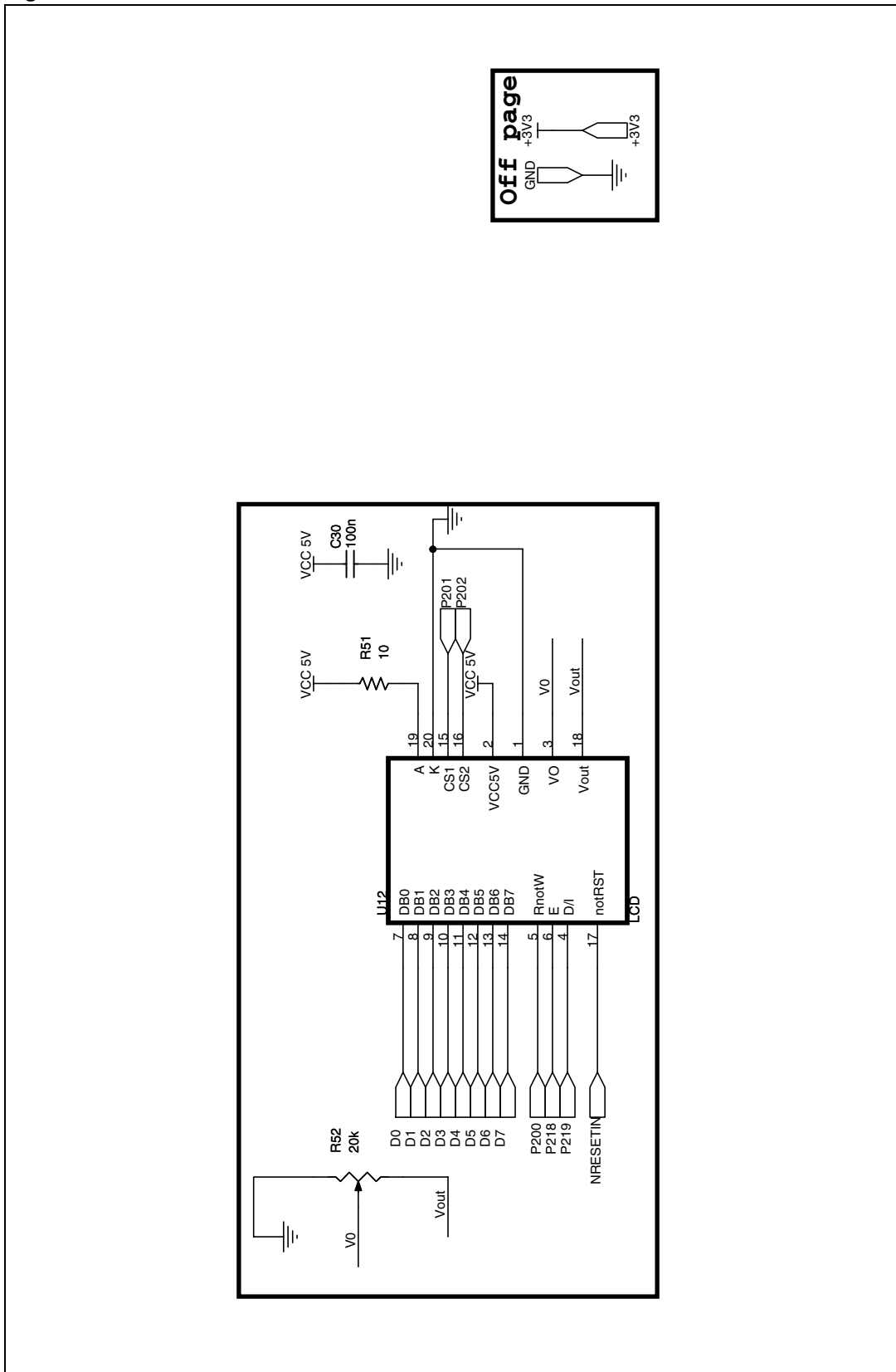


Figure 25. Motor control connector schematic

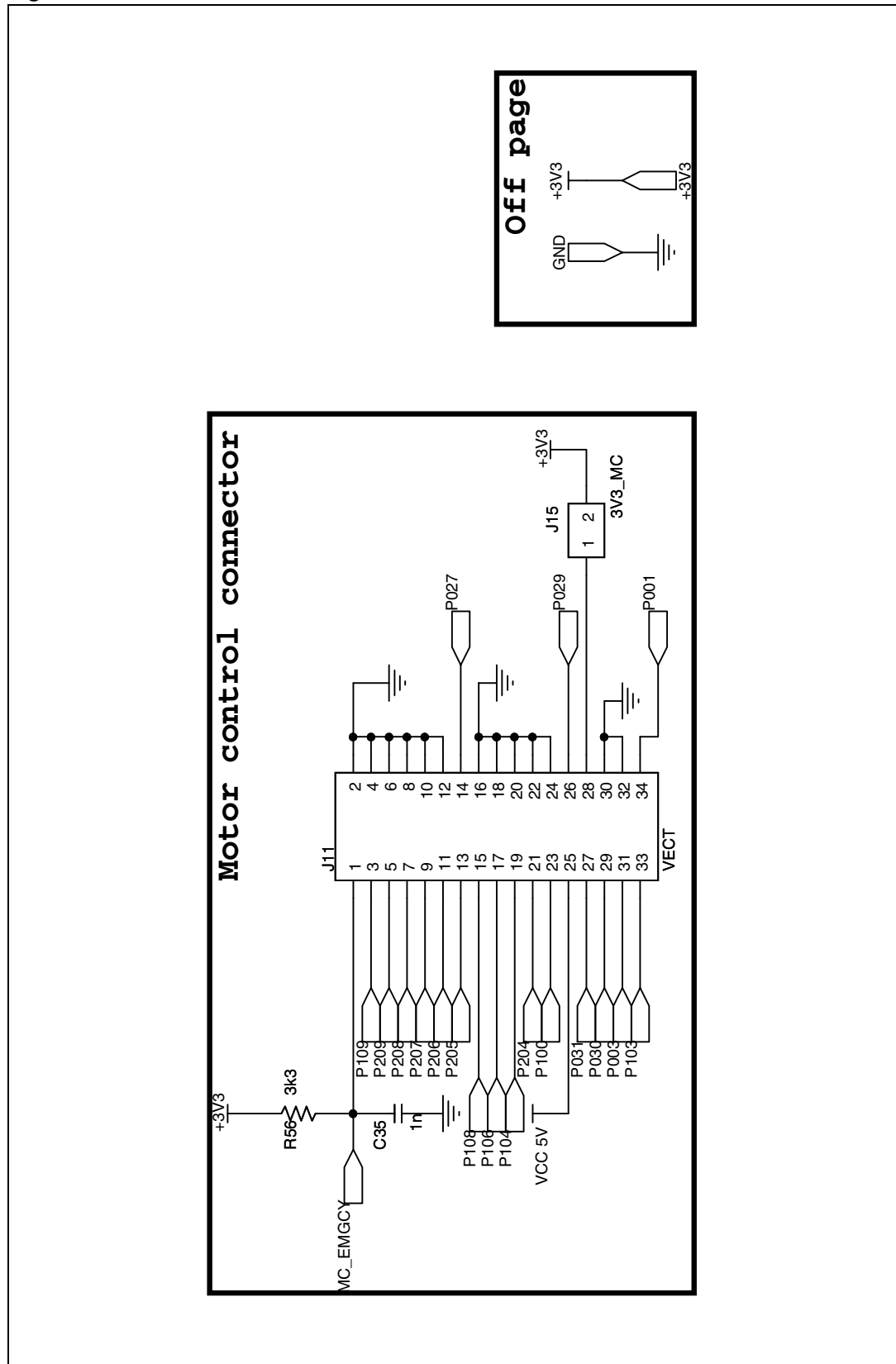


Figure 26. MEMS accelerometer and temperature sensor schematics

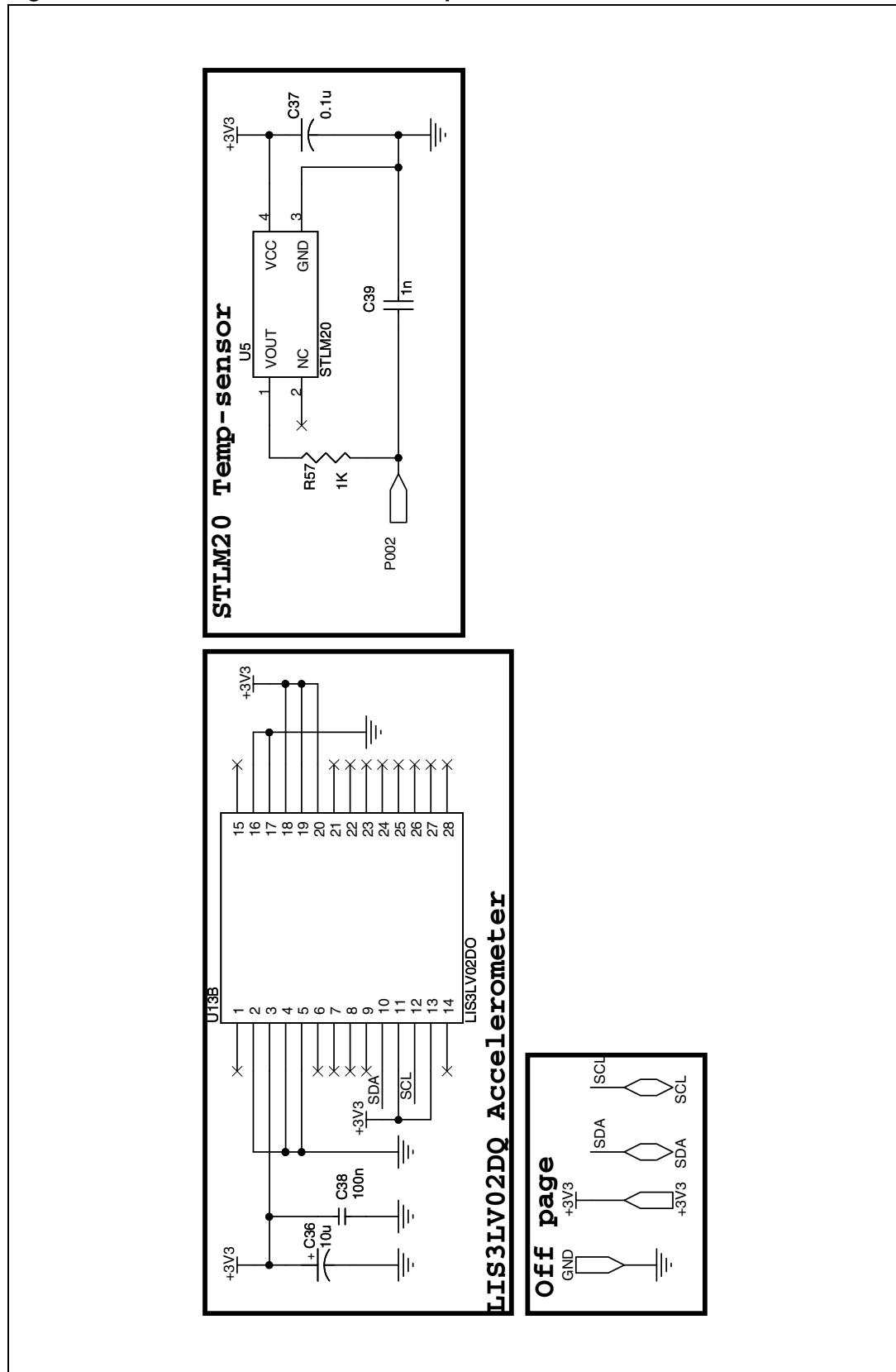
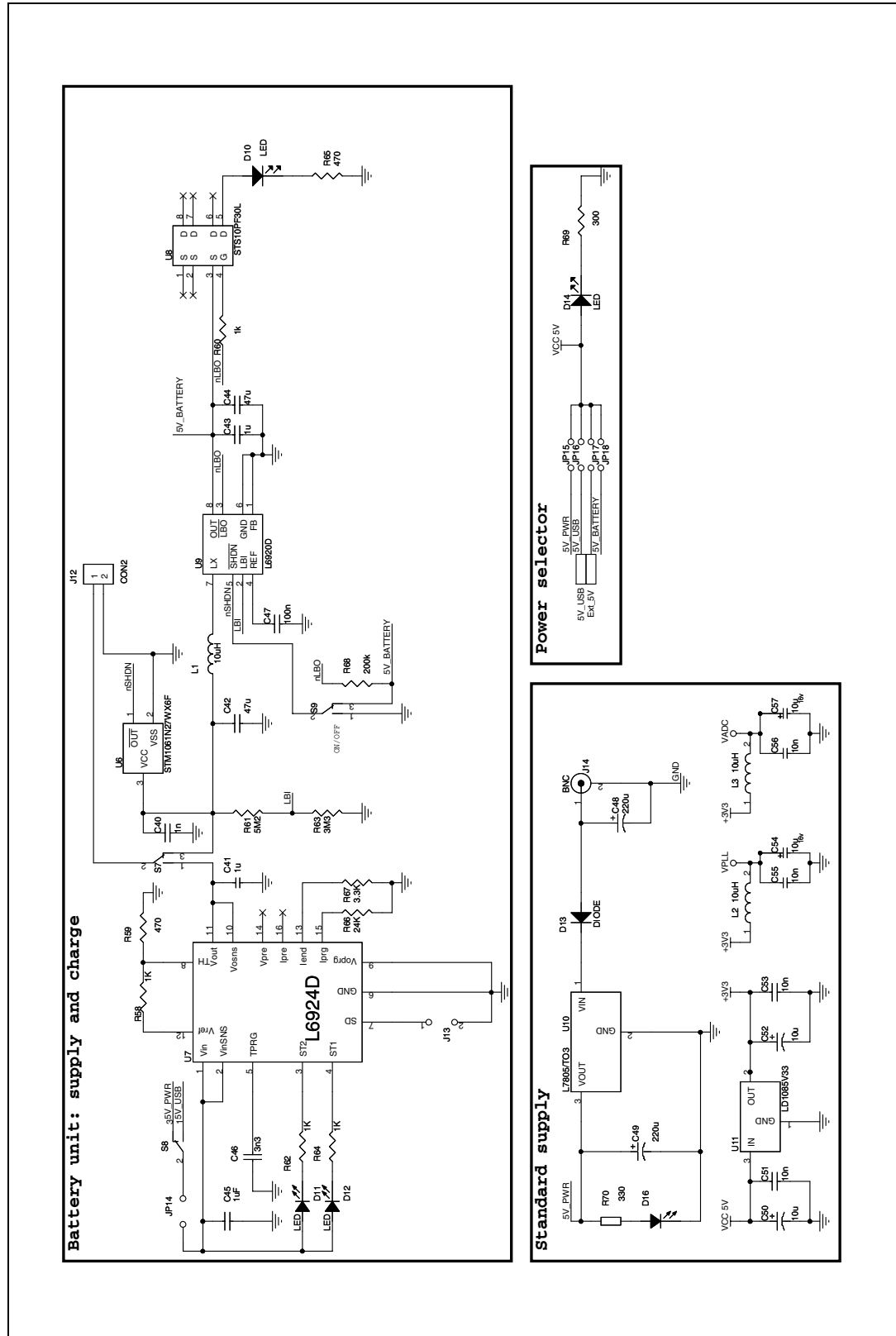


Figure 27. Battery charger unit, standard Power supply and power source selector schematics



6 List of jumpers and selectors

Table 11. List of jumpers and selectors

| Type | Name | Function | Description | STR750FV2 pins |
|-------------------|------|-------------------------|-----------------------------|----------------|
| 3-pin strip-line | SW1 | STR750FV2 boot | GND/3.3 V selector | 27 |
| 3-pin strip-line | SW2 | STR750FV2 boot | GND/3.3 V selector | 4 |
| 3-pin strip-line | S1 | I ² C switch | MEMS/ext. SCL switch | 30 |
| 3-pin strip-line | S2 | I ² C switch | MEMS/ext. SDA switch | 29 |
| 4-pin slide | SW4 | BSPI switch | EXT/ext. BSPI switch | 76,77,78,79 |
| Push button | SW5 | STR750FV2 reset | Device reset from user | 59 |
| Push button | SW3 | STR750FV2 wakeup | Wake up from user | 60 |
| Jumper | JP1 | User LED | Connect user LED D1 | 94 |
| Jumper | JP2 | User LED | Connect user LED D2 | 68 |
| Jumper | JP3 | User LED | Connect user LED D3 | 8 |
| Jumper | JP4 | User LED | Connect user LED D4 | 28 |
| Jumper | JP5 | User LED | Connect user LED D5 | 11 |
| Jumper | JP6 | User LED | Connect user LED D6 | 15 |
| Push button | S3 | Push button | User push button | 28 |
| Push button | S4 | Push button | User push button | 88 |
| Jumper | J6 | JTAG | JTAG reset signal | 59 |
| 10-pin strip-line | JP9 | External ADC | Enable the selected channel | 1,93,92,26 |
| Potentiometer | R30 | Potentiometer | Pot. on ADC channel 12 | 34 |
| 1pin connector | TP1 | Test point | Ground point | - |
| 1pin connector | TP2 | Test point | Ground point | - |
| 1pin connector | TP3 | Test point | 3.3 V point | - |
| 1pin connector | TP4 | Test point | 3.3 V point | - |
| Jumper | JP10 | CAN | Connect L9616 Rx line | 64 |
| Jumper | JP11 | CAN | Connect L9616 Tx line | 63 |
| Jumper | JP12 | Termination | R38 to close the line | - |
| 3-pin strip-line | S5 | ASC pin select | Choose 250 kbps/1 Mbps | - |
| Jumper | JP13 | UART1 | NULL Modem/RTS | - |
| 3-pin strip-line | S6 | UART1 | NULL Modem/RTS | - |
| Jumper | JP19 | UART1 | CTS/EXT pin sharing | 15 |
| Jumper | JP15 | Power | Connect standard supply | - |
| Jumper | JP16 | USB | Connect USB as supply | - |
| Jumper | JP17 | EXT | Connect EXT as supply | - |

Table 11. List of jumpers and selectors (continued)

| Type | Name | Function | Description | STR750FV2 pins |
|------------------|------|--------------------|--------------------------------------|----------------|
| Jumper | JP18 | Battery | Li/Ion Battery pack | - |
| Male connector | J14 | Power supply | 9÷12 Vdc power supply | - |
| Jumper | J12 | Battery pack | Connect battery to board | - |
| 3-pin strip-line | S7 | Battery | Recharge/supply switch | - |
| Jumper | JP14 | Battery | Connect L6924 to source | - |
| 3-pin strip-line | S8 | Battery | Source switch USB/Power | - |
| 3-pin strip-line | S9 | Battery | On/Off Battery pack | - |
| Jumper | J13 | Battery | Closed enable L6924 | - |
| Jumper | J15 | Motor control | To supply 3.3V to MC conn. | - |
| Jumper | JP8 | Asynchronous reset | Reset AHB System each APB peripheral | 58 - 59 |

Table 12. BOM (Bill Of Material)

| ID | Qty | Part reference | Value | Device type | Manufacturer | Order code |
|----|-----|---|-----------|-------------------------------------|--------------|------------------|
| 1 | 1 | CN1 | USB_miniB | Mini-USB connector | Molex | 54819-0578 |
| 2 | 14 | C1,C2,C11,C13, C19,C22, C23,C24, C25,C26,C27,C30, C38,C47 | 100 nF | | any | |
| 3 | 4 | C3,C4,C5,C6 | 22 pF | | any | |
| 4 | 10 | C7,C14,C16,C17, C20,C51, C53,C55,C56,C18 | 10 nF | | any | |
| 5 | 1 | C8 | 33 nF | | any | |
| 6 | 6 | C10,C36,C50,C52, C54,C57 | 10 µF | 16 V - SMD Tantalum Capacitor | AVX | TPSB106K016R0800 |
| 7 | 5 | C12,C15,C41,C43, C45 | 1 µF | 35 V - SMD Tantalum Capacitor | AVX | THJB105K035 |
| 8 | 1 | C21 | 4.7 nF | | any | |
| 9 | 3 | C35,C39,C40 | 1 nF | | any | |
| 10 | 1 | C37 | 0.1 µF | | any | |
| 11 | 2 | C42,C44 | 47 µF | 25 V - SMD Tantalum Capacitor | AVX | TPSD476K025R0250 |
| 12 | 1 | C46 | 3.3 nF | | any | |

Table 12. BOM (Bill Of Material) (continued)

| ID | Qty | Part reference | Value | Device type | Manufacturer | Order code |
|----|-----|---|----------------|-------------------------------------|--------------|------------------|
| 13 | 2 | C48, C49 | 220 μ F | 16 V - SMD Tantalum Capacitor | AVX | TPSV227K016R0075 |
| 14 | 3 | D1,D2,D3 | LED | SMD - blue | Avago | HSMN-C150 |
| 15 | 3 | D4,D5,D6 | LED | SMD - green | Avago | HSMG-C150 |
| 16 | 4 | D10, D11,D12, D7 | LED | SMD - red | Avago | HSMH-C150 |
| 17 | 2 | D14,D16 | LED | SMD - yellow | Avago | HSMY-C150 |
| 18 | 1 | D13 | diode | | Philips | 436-7341 |
| 19 | 4 | R1,R2,R14,R49 | 4.7 k Ω | | any | |
| 20 | 7 | R3,R4,R5,R6,R7, R8,R70 | 330 Ω | | any | |
| 21 | 12 | R9,R13,R17,R19, R21,R23,R31,R57, R58,R60,R62,R64 | 1 k Ω | | any | |
| 22 | 2 | R10,R12 | 100 k Ω | | any | |
| 23 | 1 | R11 | 100 Ω | | any | |
| 24 | 1 | R30 | 10 k Ω | Trimmer- 2.54 mm | Bourns | 3386F1103T LF |
| 25 | 13 | R15,R24,R25,R26, R27,R28,R29,R32, R33,R34,R35,R37, R40 | 10 k Ω | | any | |
| 26 | 2 | R16, R39 | 1 M Ω | | any | |
| 27 | 3 | R18,R50,R45 | 0 Ω | | any | |
| 28 | 2 | R36, R69 | 300 Ω | | any | |
| 29 | 1 | R38 | 120 Ω | | any | |
| 30 | 2 | R41, R42 | 22 Ω | | any | |
| 31 | 1 | R43 | 36 k Ω | | any | |
| 32 | 1 | R44 | 1.5 k Ω | | any | |
| 33 | 1 | R51 | 10 Ω | | any | |
| 34 | 1 | R52 | 20 k Ω | Trimmer- 2.54 mm | Bourns | 3296W 20k |
| 35 | 2 | R56, R67 | 3.3 k Ω | | any | |
| 36 | 2 | R59, R65 | 470 Ω | | any | |
| 37 | 1 | R61 | 5.2 M Ω | | any | |
| 38 | 1 | R63 | 3.3 M Ω | | any | |
| 39 | 1 | R66 | 24 k Ω | | any | |
| 40 | 1 | R68 | 200 k Ω | | any | |

Table 12. BOM (Bill Of Material) (continued)

| ID | Qty | Part reference | Value | Device type | Manufacturer | Order code |
|----|-----|---|-----------------------|--------------------------------------|--------------------|-------------------|
| 41 | 1 | J7 | 20-pin male connector | JTAG connector | Tyco | 609-2027 |
| 42 | 1 | J11 | 34-pin male connector | MC connector | Tyco | 609-3427 |
| 43 | 2 | P1, P2 | DB9 male connector | CAN, UART | any | |
| 44 | 2 | L2, L3 | 10 μ H | 180 mA inductor | Epcos | RS code: 191-0122 |
| 45 | 1 | L1 | 10 μ H | 1.4 A inductor | Würth | 7445510 |
| 46 | 4 | JE1, JE2, JE3, JE4 | header | 26-pin (2x13), standard male 2.54 mm | any | |
| 47 | 19 | JP1,JP2,JP3,JP4, JP5,JP6,JP8,JP10, JP1,JP1, JP13,JP14,JP15, JP16,JP17,JP18, JP19,J6,J13 | header | 2-pin standard male 2.54 mm | any | |
| 48 | 2 | J1, J12 | header | 2-pin male connector | Tyco (AMP) | 280370-1 |
| 49 | 1 | JP7 | header | 4-pin male connector | Tyco (AMP) | 280371-1 |
| 50 | 1 | JP9 | header | 8-pin (2x4), standard male 2.54 mm | any | |
| 51 | 4 | J2,J3,J4,J5 | header | 1-pin standard male | any | |
| 52 | 2 | J8, J9 | header | 2-pin standard female 2.54 mm | any | |
| 53 | 1 | J14 | connector | Standard power supply connector | | RS code: 286-8779 |
| 54 | 1 | Y1 | oscillator | 32.768 KHz oscillator | | RS code: 547-6856 |
| 55 | 1 | Y2 | oscillator | 4 MHz oscillator | Fox Electronics | FOXSD/040 |
| 56 | 1 | Y3 | oscillator | 48 MHz | Epson | SG8002CAPCB48MHZ |
| 57 | 9 | SW1,SW2,S1,S2, S5,S6,S7,S8,S9 | header | 3-pin standard male 2.54 mm | any | |
| 58 | 4 | SW3,SW5,S3,S4 | | Push button | APEM Components | DTS61K |
| 59 | 1 | U1 | STR750FV2T6 | LQFP100 (14x14 mm) | STMicroelectronics | STR750FV2T6 |
| 60 | 1 | U4 | L9616D | SO-8 | STMicroelectronics | L9616D |

Table 12. BOM (Bill Of Material) (continued)

| ID | Qty | Part reference | Value | Device type | Manufacturer | Order code |
|----|-----|----------------|-----------------------|---|--------------------|----------------|
| 61 | 1 | U5 | STLM20DD9F | UDFN 4 | STMicroelectronics | STLM20DD9F |
| 62 | 1 | U6 | STM1061N27WX6F | SOT23-3 | STMicroelectronics | STM1061N27WX6F |
| 63 | 1 | U7 | L6924D | VFQFPN16 | STMicroelectronics | L6924D |
| 64 | 1 | IC1 | STM1001TWX6F | SOT23-3 | STMicroelectronics | STM1001TWX6F |
| 65 | 1 | IC2 | USBLC6-2P6 | SOT-666 | STMicroelectronics | USBLC6-2P6 |
| 66 | 1 | IC3 | ST202ECD | SOP-16 | STMicroelectronics | ST202ECD |
| 67 | 1 | U9 | L6920D | TSSOP8 | STMicroelectronics | L6920D |
| 68 | 1 | U8 | STS10PF30L | SO-8 | STMicroelectronics | STS10PF30L |
| 69 | 1 | U10 | L7805ABD2T-TR | D ² PAK | STMicroelectronics | L7805ABD2T-TR |
| 70 | 1 | U11 | LD1085D2M33R | D ² PAK/A | STMicroelectronics | LD1085D2M33R |
| 71 | 1 | U13 | LIS3LV02DQ | QFPN-28 | STMicroelectronics | LIS3LV02DQ |
| 72 | 1 | Q1 | BC846AL (MMBT2222) | | any | |
| 73 | 1 | U12 | header | 20-pin standard female 2.54 mm | | |

7 Revision history

Table 13. Revision history

| Date | Revision | Changes |
|-------------|----------|-------------|
| 30-Aug-2007 | 1 | First issue |

Please Read Carefully:

Information in this document is provided solely in connection with ST products. STMicroelectronics NV and its subsidiaries ("ST") reserve the right to make changes, corrections, modifications or improvements, to this document, and the products and services described herein at any time, without notice.

All ST products are sold pursuant to ST's terms and conditions of sale.

Purchasers are solely responsible for the choice, selection and use of the ST products and services described herein, and ST assumes no liability whatsoever relating to the choice, selection or use of the ST products and services described herein.

No license, express or implied, by estoppel or otherwise, to any intellectual property rights is granted under this document. If any part of this document refers to any third party products or services it shall not be deemed a license grant by ST for the use of such third party products or services, or any intellectual property contained therein or considered as a warranty covering the use in any manner whatsoever of such third party products or services or any intellectual property contained therein.

UNLESS OTHERWISE SET FORTH IN ST'S TERMS AND CONDITIONS OF SALE ST DISCLAIMS ANY EXPRESS OR IMPLIED WARRANTY WITH RESPECT TO THE USE AND/OR SALE OF ST PRODUCTS INCLUDING WITHOUT LIMITATION IMPLIED WARRANTIES OF MERCHANTABILITY, FITNESS FOR A PARTICULAR PURPOSE (AND THEIR EQUIVALENTS UNDER THE LAWS OF ANY JURISDICTION), OR INFRINGEMENT OF ANY PATENT, COPYRIGHT OR OTHER INTELLECTUAL PROPERTY RIGHT.

UNLESS EXPRESSLY APPROVED IN WRITING BY AN AUTHORIZED ST REPRESENTATIVE, ST PRODUCTS ARE NOT RECOMMENDED, AUTHORIZED OR WARRANTED FOR USE IN MILITARY, AIR CRAFT, SPACE, LIFE SAVING, OR LIFE SUSTAINING APPLICATIONS, NOR IN PRODUCTS OR SYSTEMS WHERE FAILURE OR MALFUNCTION MAY RESULT IN PERSONAL INJURY, DEATH, OR SEVERE PROPERTY OR ENVIRONMENTAL DAMAGE. ST PRODUCTS WHICH ARE NOT SPECIFIED AS "AUTOMOTIVE GRADE" MAY ONLY BE USED IN AUTOMOTIVE APPLICATIONS AT USER'S OWN RISK.

Resale of ST products with provisions different from the statements and/or technical features set forth in this document shall immediately void any warranty granted by ST for the ST product or service described herein and shall not create or extend in any manner whatsoever, any liability of ST.

ST and the ST logo are trademarks or registered trademarks of ST in various countries.

Information in this document supersedes and replaces all information previously supplied.

The ST logo is a registered trademark of STMicroelectronics. All other names are the property of their respective owners.

© 2007 STMicroelectronics - All rights reserved

STMicroelectronics group of companies

Australia - Belgium - Brazil - Canada - China - Czech Republic - Finland - France - Germany - Hong Kong - India - Israel - Italy - Japan - Malaysia - Malta - Morocco - Singapore - Spain - Sweden - Switzerland - United Kingdom - United States of America

www.st.com