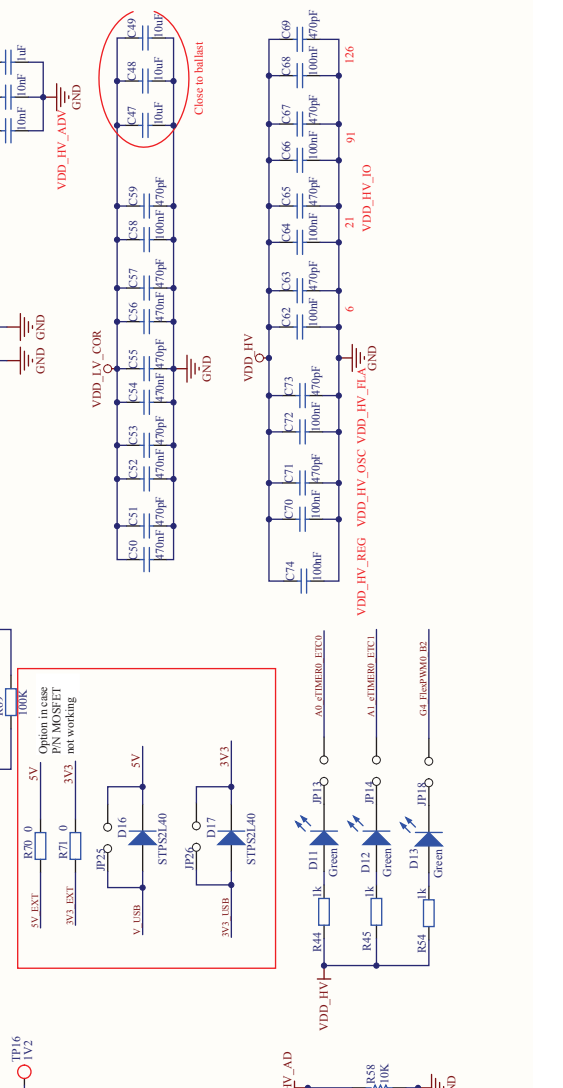
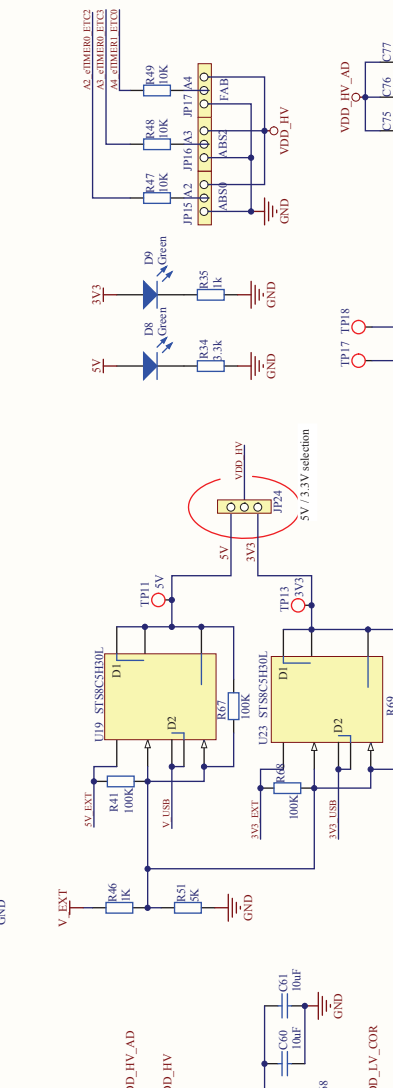
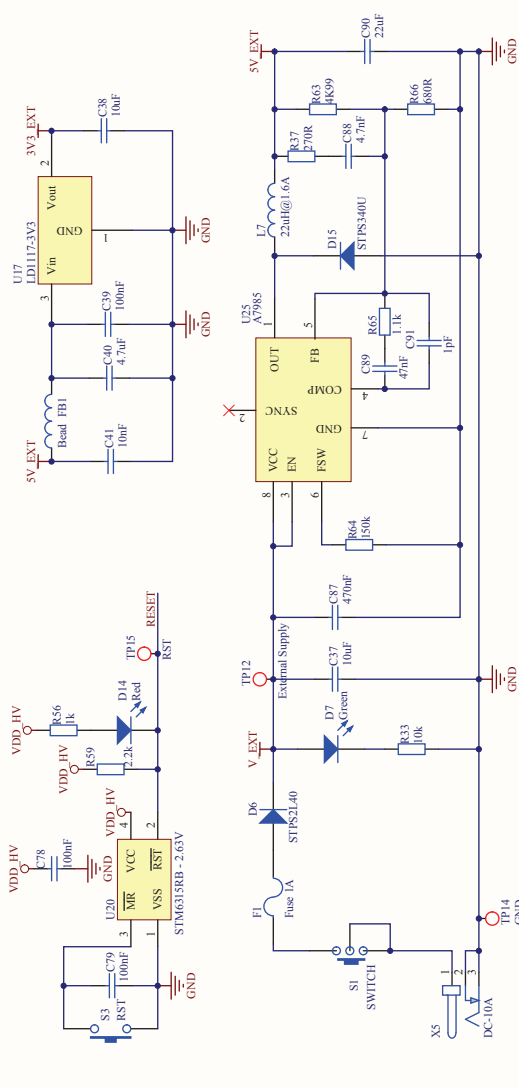
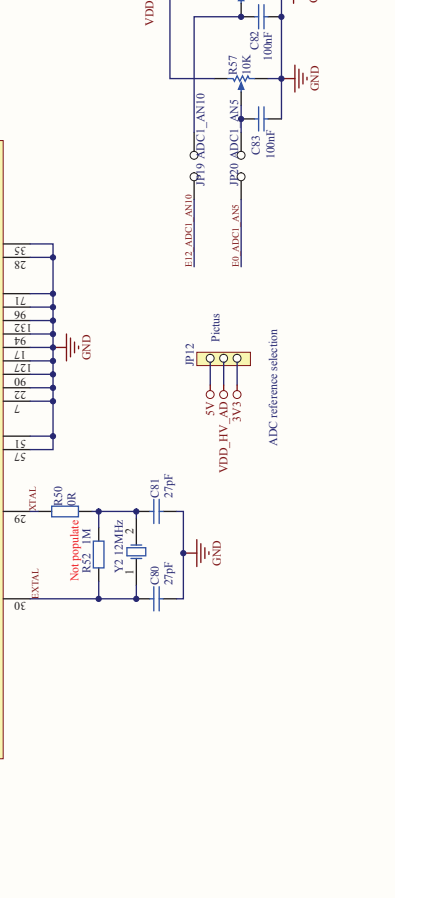


71	A0	AD_CONVERTER_ETC0		71	U0	AD_CONVERTER	
72	A1	AD_CONVERTER_ETC1		72	U1	AD_CONVERTER	
73	A2	AD_CONVERTER_ETC2		73	U2	AD_CONVERTER	
74	A3	AD_CONVERTER_ETC3		74	U3	AD_CONVERTER	
75	A4	AD_CONVERTER_ETC4		75	U4	AD_CONVERTER	
76	A5	AD_CONVERTER_ETC5		76	U5	AD_CONVERTER	
77	A6	AD_CONVERTER_ETC6		77	U6	AD_CONVERTER	
78	A7	AD_CONVERTER_ETC7		78	U7	AD_CONVERTER	
79	A8	AD_CONVERTER_ETC8		79	U8	AD_CONVERTER	
80	A9	AD_CONVERTER_ETC9		80	U9	AD_CONVERTER	
81	A10	AD_CONVERTER_ETC10		81	U10	AD_CONVERTER	
82	A11	AD_CONVERTER_ETC11		82	U11	AD_CONVERTER	
83	A12	AD_CONVERTER_ETC12		83	U12	AD_CONVERTER	
84	A13	AD_CONVERTER_ETC13		84	U13	AD_CONVERTER	
85	A14	AD_CONVERTER_ETC14		85	U14	AD_CONVERTER	
86	A15	AD_CONVERTER_ETC15		86	U15	AD_CONVERTER	
87	A16	AD_CONVERTER_ETC16		87	U16	AD_CONVERTER	
88	A17	AD_CONVERTER_ETC17		88	U17	AD_CONVERTER	
89	A18	AD_CONVERTER_ETC18		89	U18	AD_CONVERTER	
90	A19	AD_CONVERTER_ETC19		90	U19	AD_CONVERTER	
91	A20	AD_CONVERTER_ETC20		91	U20	AD_CONVERTER	
92	A21	AD_CONVERTER_ETC21		92	U21	AD_CONVERTER	
93	A22	AD_CONVERTER_ETC22		93	U22	AD_CONVERTER	
94	A23	AD_CONVERTER_ETC23		94	U23	AD_CONVERTER	
95	A24	AD_CONVERTER_ETC24		95	U24	AD_CONVERTER	
96	A25	AD_CONVERTER_ETC25		96	U25	AD_CONVERTER	
97	A26	AD_CONVERTER_ETC26		97	U26	AD_CONVERTER	
98	A27	AD_CONVERTER_ETC27		98	U27	AD_CONVERTER	
99	A28	AD_CONVERTER_ETC28		99	U28	AD_CONVERTER	
100	A29	AD_CONVERTER_ETC29		100	U29	AD_CONVERTER	
101	A30	AD_CONVERTER_ETC30		101	U30	AD_CONVERTER	
102	A31	AD_CONVERTER_ETC31		102	U31	AD_CONVERTER	
103	A32	AD_CONVERTER_ETC32		103	U32	AD_CONVERTER	
104	A33	AD_CONVERTER_ETC33		104	U33	AD_CONVERTER	
105	A34	AD_CONVERTER_ETC34		105	U34	AD_CONVERTER	
106	A35	AD_CONVERTER_ETC35		106	U35	AD_CONVERTER	
107	A36	AD_CONVERTER_ETC36		107	U36	AD_CONVERTER	
108	A37	AD_CONVERTER_ETC37		108	U37	AD_CONVERTER	
109	A38	AD_CONVERTER_ETC38		109	U38	AD_CONVERTER	
110	A39	AD_CONVERTER_ETC39		110	U39	AD_CONVERTER	
111	A40	AD_CONVERTER_ETC40		111	U40	AD_CONVERTER	
112	A41	AD_CONVERTER_ETC41		112	U41	AD_CONVERTER	
113	A42	AD_CONVERTER_ETC42		113	U42	AD_CONVERTER	
114	A43	AD_CONVERTER_ETC43		114	U43	AD_CONVERTER	
115	A44	AD_CONVERTER_ETC44		115	U44	AD_CONVERTER	
116	A45	AD_CONVERTER_ETC45		116	U45	AD_CONVERTER	
117	A46	AD_CONVERTER_ETC46		117	U46	AD_CONVERTER	
118	A47	AD_CONVERTER_ETC47		118	U47	AD_CONVERTER	
119	A48	AD_CONVERTER_ETC48		119	U48	AD_CONVERTER	
120	A49	AD_CONVERTER_ETC49		120	U49	AD_CONVERTER	
121	A50	AD_CONVERTER_ETC50		121	U50	AD_CONVERTER	
122	A51	AD_CONVERTER_ETC51		122	U51	AD_CONVERTER	
123	A52	AD_CONVERTER_ETC52		123	U52	AD_CONVERTER	
124	A53	AD_CONVERTER_ETC53		124	U53	AD_CONVERTER	
125	A54	AD_CONVERTER_ETC54		125	U54	AD_CONVERTER	
126	A55	AD_CONVERTER_ETC55		126	U55	AD_CONVERTER	
127	A56	AD_CONVERTER_ETC56		127	U56	AD_CONVERTER	
128	A57	AD_CONVERTER_ETC57		128	U57	AD_CONVERTER	
129	A58	AD_CONVERTER_ETC58		129	U58	AD_CONVERTER	
130	A59	AD_CONVERTER_ETC59		130	U59	AD_CONVERTER	
131	A60	AD_CONVERTER_ETC60		131	U60	AD_CONVERTER	
132	A61	AD_CONVERTER_ETC61		132	U61	AD_CONVERTER	
133	A62	AD_CONVERTER_ETC62		133	U62	AD_CONVERTER	
134	A63	AD_CONVERTER_ETC63		134	U63	AD_CONVERTER	
135	A64	AD_CONVERTER_ETC64		135	U64	AD_CONVERTER	
136	A65	AD_CONVERTER_ETC65		136	U65	AD_CONVERTER	
137	A66	AD_CONVERTER_ETC66		137	U66	AD_CONVERTER	
138	A67	AD_CONVERTER_ETC67		138	U67	AD_CONVERTER	
139	A68	AD_CONVERTER_ETC68		139	U68	AD_CONVERTER	
140	A69	AD_CONVERTER_ETC69		140	U69	AD_CONVERTER	
141	A70	AD_CONVERTER_ETC70		141	U70	AD_CONVERTER	
142	A71	AD_CONVERTER_ETC71		142	U71	AD_CONVERTER	
143	A72	AD_CONVERTER_ETC72		143	U72	AD_CONVERTER	
144	A73	AD_CONVERTER_ETC73		144	U73	AD_CONVERTER	
145	A74	AD_CONVERTER_ETC74		145	U74	AD_CONVERTER	
146	A75	AD_CONVERTER_ETC75		146	U75	AD_CONVERTER	
147	A76	AD_CONVERTER_ETC76		147	U76	AD_CONVERTER	
148	A77	AD_CONVERTER_ETC77		148	U77	AD_CONVERTER	
149	A78	AD_CONVERTER_ETC78		149	U78	AD_CONVERTER	
150	A79	AD_CONVERTER_ETC79		150	U79	AD_CONVERTER	
151	A80	AD_CONVERTER_ETC80		151	U80	AD_CONVERTER	
152	A81	AD_CONVERTER_ETC81		152	U81	AD_CONVERTER	
153	A82	AD_CONVERTER_ETC82		153	U82	AD_CONVERTER	
154	A83	AD_CONVERTER_ETC83		154	U83	AD_CONVERTER	
155	A84	AD_CONVERTER_ETC84		155	U84	AD_CONVERTER	
156	A85	AD_CONVERTER_ETC85		156	U85	AD_CONVERTER	
157	A86	AD_CONVERTER_ETC86		157	U86	AD_CONVERTER	
158	A87	AD_CONVERTER_ETC87		158	U87	AD_CONVERTER	
159	A88	AD_CONVERTER_ETC88		159	U88	AD_CONVERTER	
160	A89	AD_CONVERTER_ETC89		160	U89	AD_CONVERTER	
161	A90	AD_CONVERTER_ETC90		161	U90	AD_CONVERTER	
162	A91	AD_CONVERTER_ETC91		162	U91	AD_CONVERTER	
163	A92	AD_CONVERTER_ETC92		163	U92	AD_CONVERTER	
164	A93	AD_CONVERTER_ETC93		164	U93	AD_CONVERTER	
165	A94	AD_CONVERTER_ETC94		165	U94	AD_CONVERTER	
166	A95	AD_CONVERTER_ETC95		166	U95	AD_CONVERTER	
167	A96	AD_CONVERTER_ETC96		167	U96	AD_CONVERTER	
168	A97	AD_CONVERTER_ETC97		168	U97	AD_CONVERTER	
169	A98	AD_CONVERTER_ETC98		169	U98	AD_CONVERTER	
170	A99	AD_CONVERTER_ETC99		170	U99	AD_CONVERTER	
171	A100	AD_CONVERTER_ETC100		171	U100	AD_CONVERTER	



U13

A0 eTIMER0_ETC0	51	A0 eTIMER0_ETC0[0] DSPE_SCK_FCU0_F10 GPIO[0]	
A1 eTIMER0_ETC1	52	A1 eTIMER0_ETC1[1] DSPE_SOUT_FCU0_F11 GPIO[1]	
A2 eTIMER0_ETC2	53	A2 eTIMER0_ETC2[2] DSPE_SIN_FlexPW0_A3 GPIO[2]	
A3 eTIMER0_ETC3	54	A3 eTIMER0_ETC3[3] DSPE_CS0_FlexPW0_B3 GPIO[3]	
A4 eTIMER0_ETC4	55	A4 eTIMER0_ETC4[4] DSPE_CS1 eTIMER0_ETC4[4] GPIO[4]	
A5 eTIMER0_ETC5	56	A5 eTIMER0_ETC5[5] DSPH_CS7 GPIO[5]	
A6 DSPH_SCK	2	A6 DSPH_SCK GPIO[6]	
A7 DSPH_SOUT	4	A7 DSPH_SOUT GPIO[7]	
A8 DSPH_SIN	8	A8 DSPH_SIN GPIO[8]	
A9 DSPH_CS1	81	A9 DSPH_CS1_FlexPW0_FAULT0_FlexPW0_B3 GPIO[9]	
A10 DSPH_CS0	82	A10 DSPH_CS0_FlexPW0_B0_FlexPW0_X21 GPIO[10]	
A11 DSPH_SCK	83	A11 DSPH_SCK_FlexPW0_A2_FlexPW0_B2 GPIO[11]	
A12 DSPH_SOUT	84	A12 DSPH_SOUT_FlexPW0_A2_FlexPW0_B2 GPIO[12]	
A13 DSPH_SIN	85	A13 DSPH_SIN_FlexPW0_B2_FlexPW0_FAULT1[0] GPIO[13]	
A14 Silegyhard_TXD	99	A14 Silegyhard_TXD eTIMER1_ETC4[4] GPIO[14]	
A15 Silegyhard_RXD	100	A15 Silegyhard_RXD eTIMER1_ETC5[5] GPIO[15]	
B0 CAN0_TXD	76	B0 CAN0_TXD eTIMER1_ETC3[3] SSCM_DEBUG[0] GPIO[16]	
B1 CAN0_RXD	77	B1 CAN0_RXD eTIMER1_ETC3[3] SSCM_DEBUG[1] GPIO[17]	
B2 LIN0_TXD	79	B2 LIN0_TXD SSCM_DEBUG[2] GPIO[18]	
B3 LIN0_RXD	80	B3 LIN0_RXD SSCM_DEBUG[3] GPIO[19]	
JTAG_TDO	58	B4 JTAG_TDO GPIO[20]	
JTAG_TDI	59	B5 JTAG_TDI GPIO[21]	
B6 CLKOUT	29	B6 CLKOUT_DSPH_CS7 GPIO[22]	
B7 AD00_AIN0	31	B7 AD00_AIN0_SSCM_CS0 GPIO[23]	
B8 AD00_AIN1	32	B8 AD00_AIN1 eTIMER0_ETC5[5] GPIO[24]	
B9 AD00_AIN2	33	B9 AD00_AIN2[1] GPIO[25]	
B10 AD00_AIN3	34	B10 AD00_AIN2[2] GPIO[26]	
B11 AD00_AIN4	35	B11 AD00_AIN3[1] GPIO[27]	
B12 AD00_AIN5	36	B12 AD00_AIN3[2] GPIO[28]	
B13 AD00_AIN6	37	B13 AD00_AIN4[1] GPIO[29]	
B14 AD00_AIN7	38	B14 AD00_AIN4[2] GPIO[30]	
B15 AD00_AIN8	39	B15 AD00_AIN5[1] eTIMER0_ETC4[4] GPIO[31]	
C0 ADC1_AN1	45	C0 ADC1_AN3 GPIO[32]	
C1 ADC0_AN2	28	C1 ADC0_AN2 GPIO[33]	
C2 ADC0_AN3	30	C2 ADC0_AN3 GPIO[34]	
C3 DSPH_CS1	10	C3 DSPH_CS1 eTIMER1_ETC4[4] LIN1_TXD GPIO[35]	
C4 DSPH_CS0	5	C4 DSPH_CS0_FlexPW0_X11 SSCM_DEBUG[4] GPIO[36]	
C5 DSPH_SCK	7	C5 DSPH_SCK_FlexPW0_FAULT3[3] SSCM_DEBUG[5] GPIO[37]	
C6 DSPH_SOUT	108	C6 DSPH_SOUT_FlexPW0_B11 SSCM_DEBUG[6] GPIO[38]	
C7 DSPH_SIN	9	C7 DSPH_SIN_FlexPW0_A11 SSCM_DEBUG[7] GPIO[39]	
C8 DSPH_CS1	91	C8 DSPH_CS1_FlexPW0_FAULT2[2] FlexPW0_X13 GPIO[40]	
C9 DSPH_CS2	84	C9 DSPH_CS2_FlexPW0_FAULT1[1] FlexPW0_A13 GPIO[41]	
C10 DSPH_CS3	84	C10 DSPH_CS3_FlexPW0_FAULT1[1] FlexPW0_A13 GPIO[42]	
C11 eTIMER0_ETC4	78	C11 eTIMER0_ETC4[4] DSPH_CS2 DSPH_CS0 GPIO[43]	
C12 eTIMER0_ETC5	55	C12 eTIMER0_ETC5[5] DSPH_CS3 DSPH_CS1 GPIO[44]	
C13 eTIMER1_ETC1	71	C13 eTIMER1_ETC1[1] CTU0_EXT_IN_FlexPW0_EXT_SYNC GPIO[45]	
C14 eTIMER1_ETC2	72	C14 eTIMER1_ETC2[2] CTU0_EXT_TGR GPIO[46]	
C15 FlexRay0_CA_IR_LIN_85	85	C15 FlexRay0_CA_IR_EN eTIMER1_ETC0[0] FlexPW0_A11 GPIO[47]	
D0 FlexRay0_CA_TX	86	D0 FlexRay0_CA_TX eTIMER1_ETC1[1] FlexPW0_B11 GPIO[48]	
D1 FlexRay0_CA_RX	97	D1 FlexRay0_CA_RX eTIMER1_ETC2[2] CTU0_EXT_TRG GPIO[49]	
D2 FlexRay0_CB_RX	89	D2 FlexRay0_CB_RX eTIMER1_ETC3[3] FlexPW0_X13 GPIO[50]	
D3 FlexRay0_CB_TX	90	D3 FlexRay0_CB_TX eTIMER1_ETC4[4] FlexPW0_A13 GPIO[51]	
D4 FlexRay0_GB_IR_LIN	22	D4 FlexRay0_GB_IR_LIN CTU0_EXT_TGR GPIO[52]	
D5 DSPH_CS3	22	D5 DSPH_CS3_FCU0_F10 DSPH_SOUT GPIO[53]	
D6 DSPH_CS2	23	D6 DSPH_CS2_DSPE_SCK_FlexPW0_FAULT1[1] GPIO[54]	
D7 DSPH_CS1	24	D7 DSPH_CS1_FCU0_F11 DSPH_SIN GPIO[55]	
D8 FlexPW0_X0	15	D8 DSPH_CS2_FlexPW0_FAULT3[3] DSPH_CS5 GPIO[56]	
D9 FlexPW0_X10	53	D9 FlexPW0_X10_LIN1_TXD GPIO[57]	
D10 FlexPW0_A0	54	D10 FlexPW0_A0_LIN1_TXD GPIO[58]	
D11 FlexPW0_B0	54	D11 FlexPW0_B0_DSPH_CS1 DSPH_SCK GPIO[59]	
D12 FlexPW0_X1	70	D12 FlexPW0_X1_LIN1_RXD GPIO[60]	
D13 FlexPW0_A1	67	D13 FlexPW0_A1[1] DSPH_CS2 DSPH_SOUT GPIO[61]	
D14 FlexPW0_B1	67	D14 FlexPW0_B1[1] DSPH_CS3 DSPH_SIN GPIO[62]	
D15 ADC1_AN4	41	D15 ADC1_AN4[4] GPIO[63]	
JTAG_TMS	59	JTAG_TMS	
TCK	60	TCK	
NMI	1	NMI	
VPP TEST	74	VPP TEST	
RESET_B	20	RESET_B	

46 E0\_ADC1\_AN5  
27 E1\_ADC0\_AN4  
32 E2\_ADC0\_AN3

SPC560PaL3

