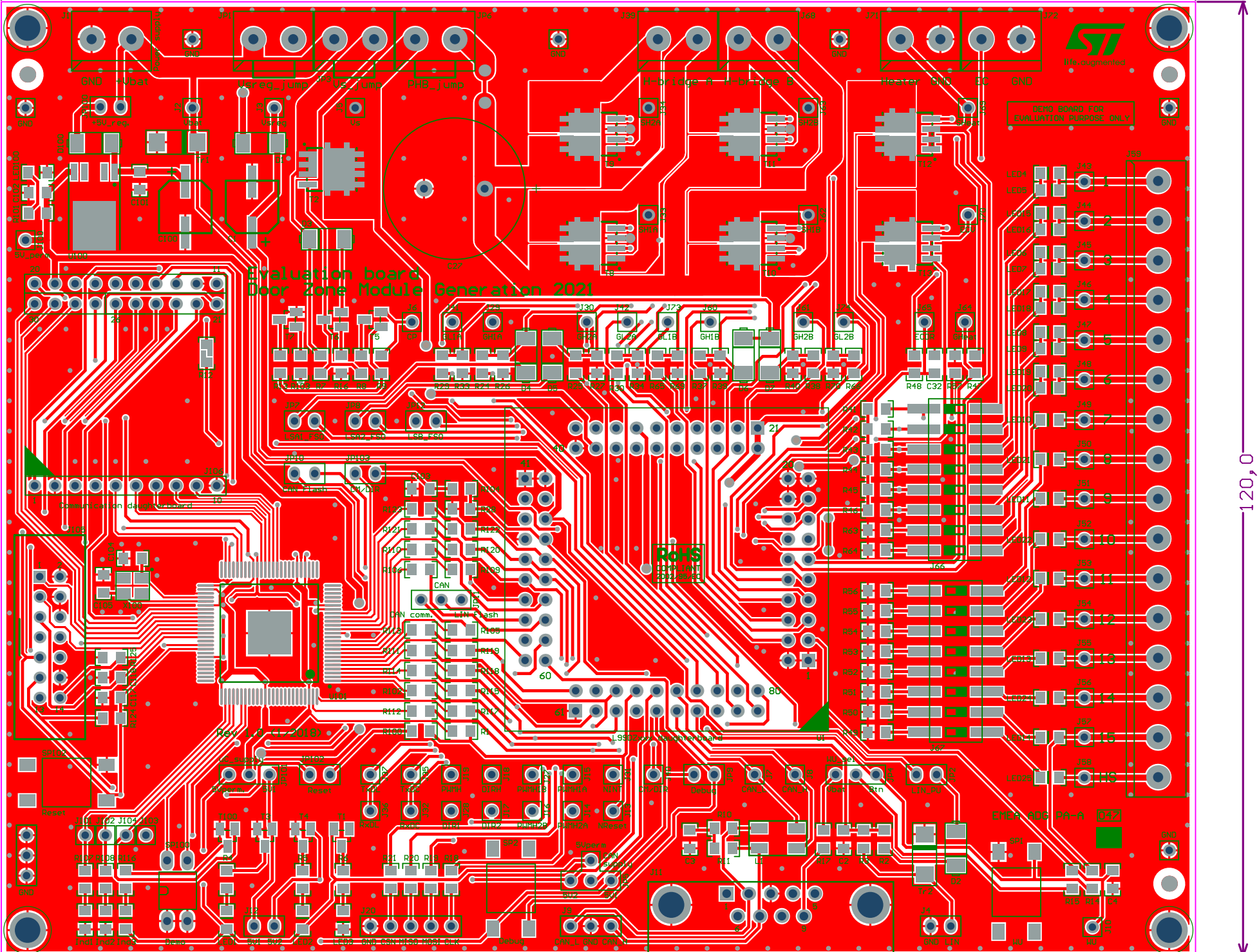


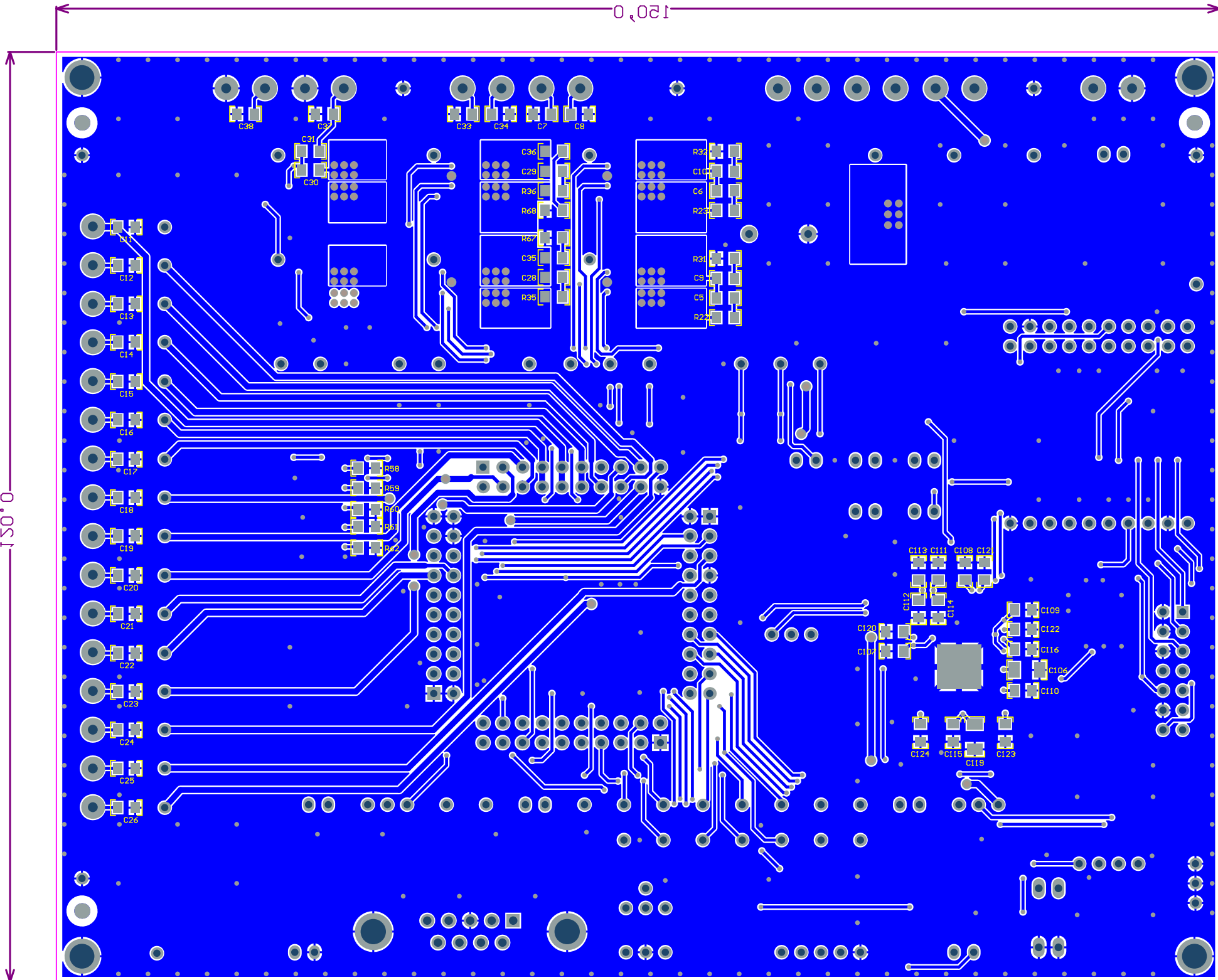
150,0

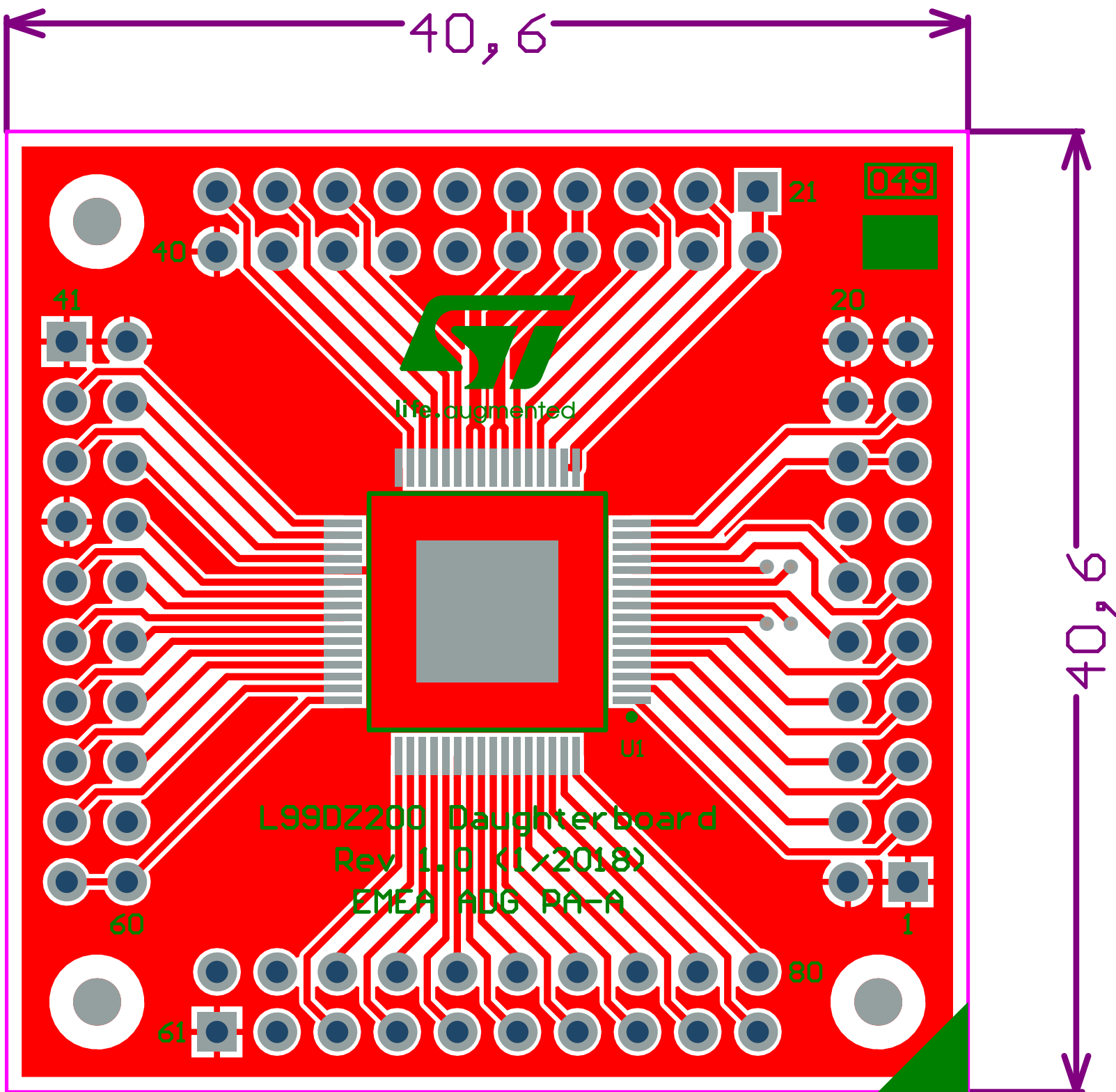
120,0

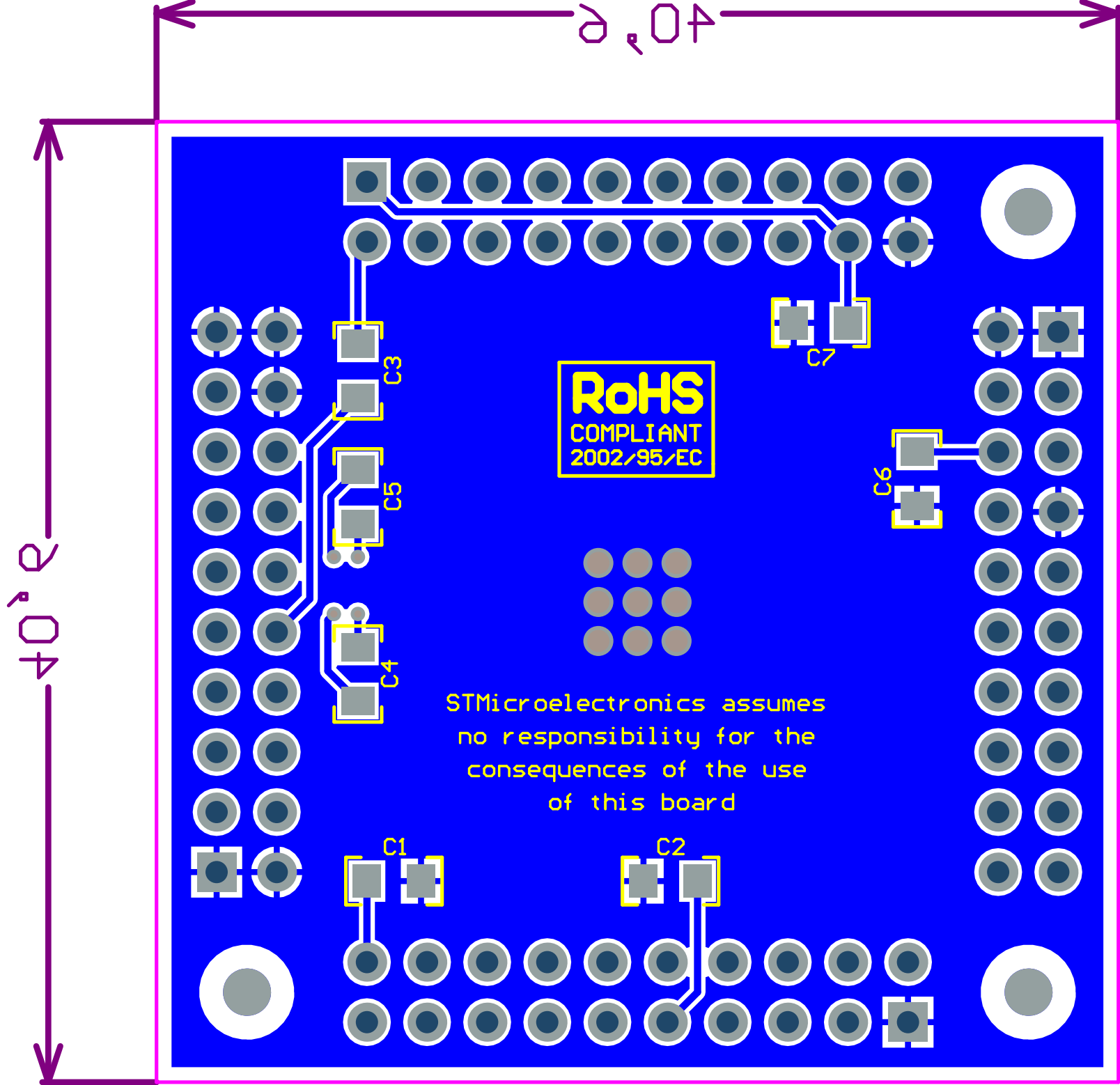


150,0

120,0







RoHS
COMPLIANT
2002/95/EC

STMicroelectronics assumes
no responsibility for the
consequences of the use
of this board

40,4

40,4

