

STEVAL-IDS001V4M

Schematic diagrams

Figure 1: STEVAL-IDS001V4M part 1

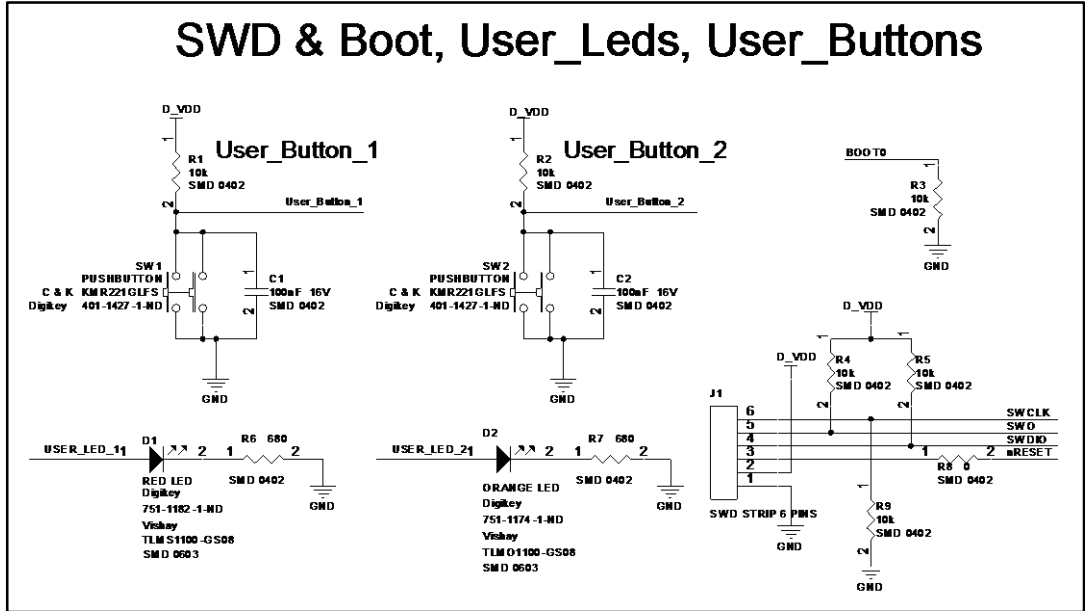


Figure 2: STEVAL-IDS001V4M part 2

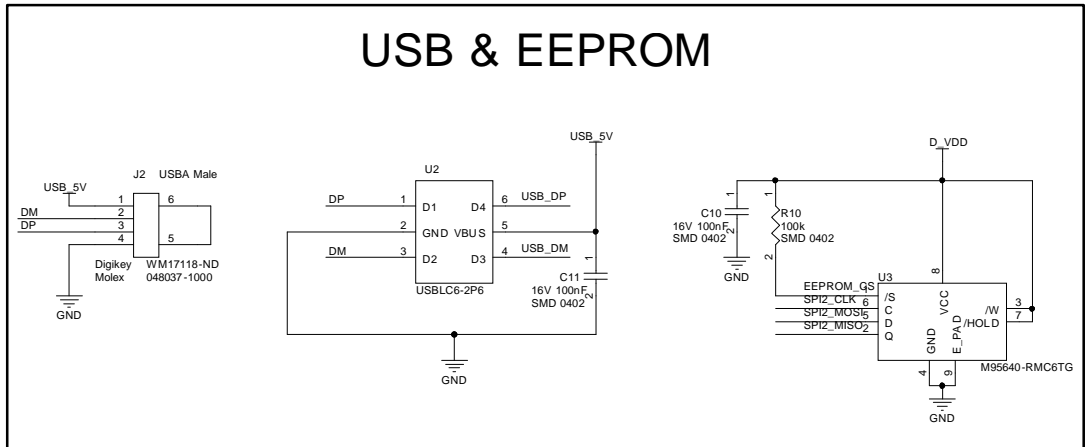
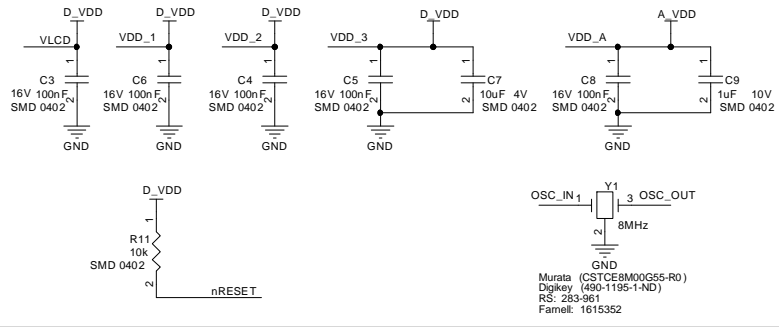
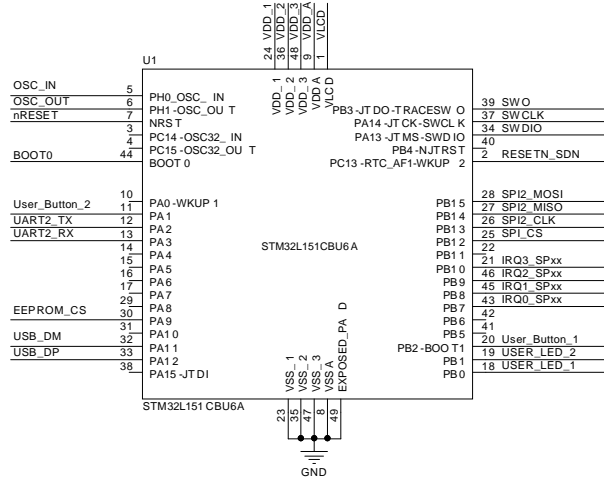


Figure 3: STEVAL-IDS001V4M part 3

MCU - Oscillator - MCU Voltage



Murata (CSTCE8M00G55-R0)
 Digkey (490-1195-1-ND)
 RS: 283-961
 Farnell: 1615352

Figure 4: STEVAL-IDS001V4M part 4

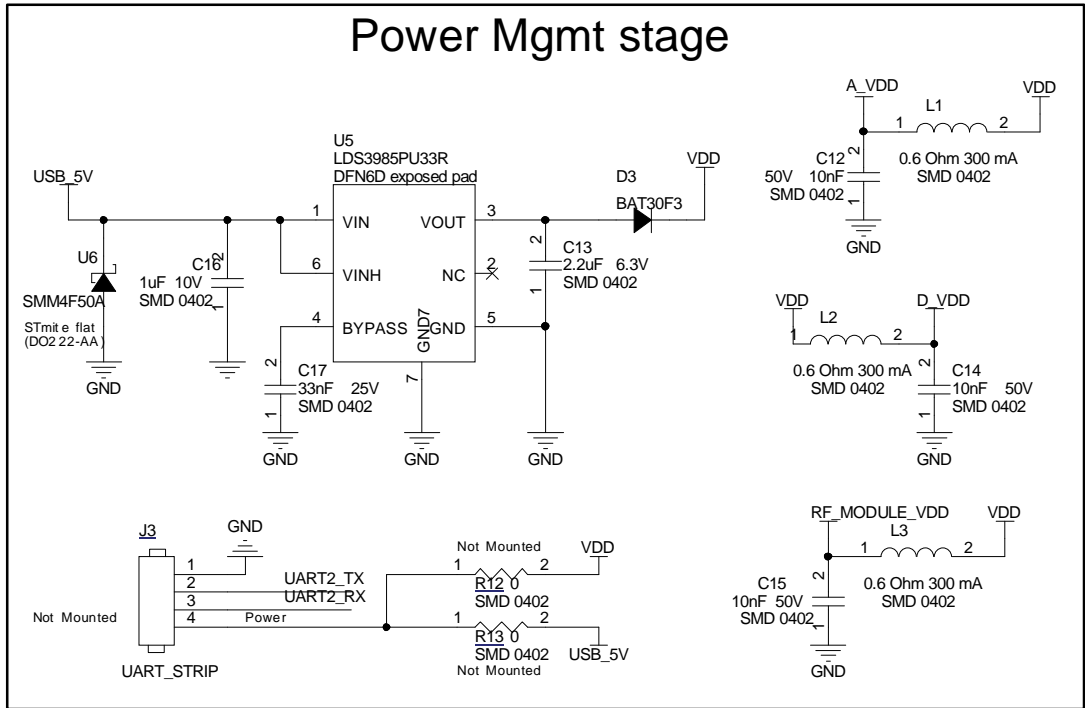


Figure 5: STEVAL-IDS001V4M part 5

