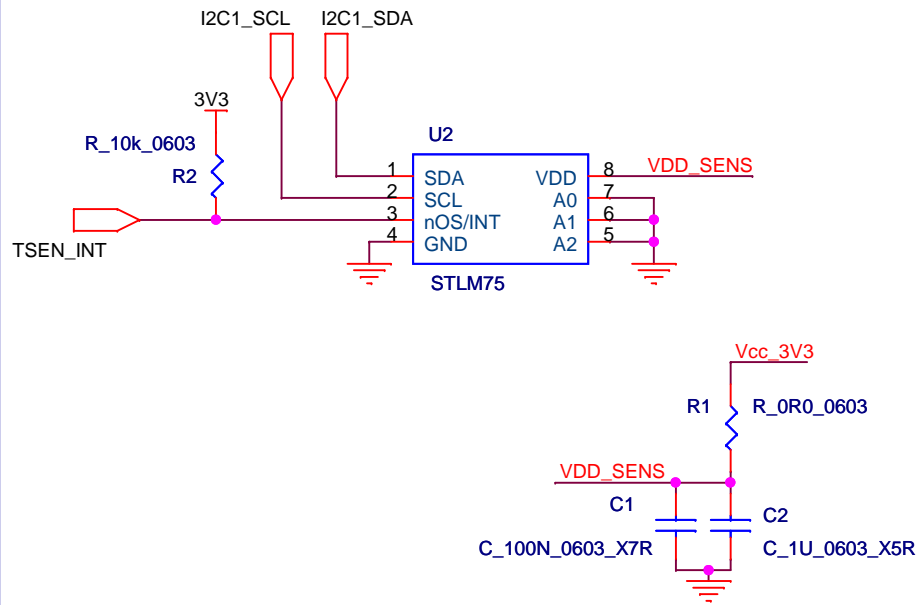
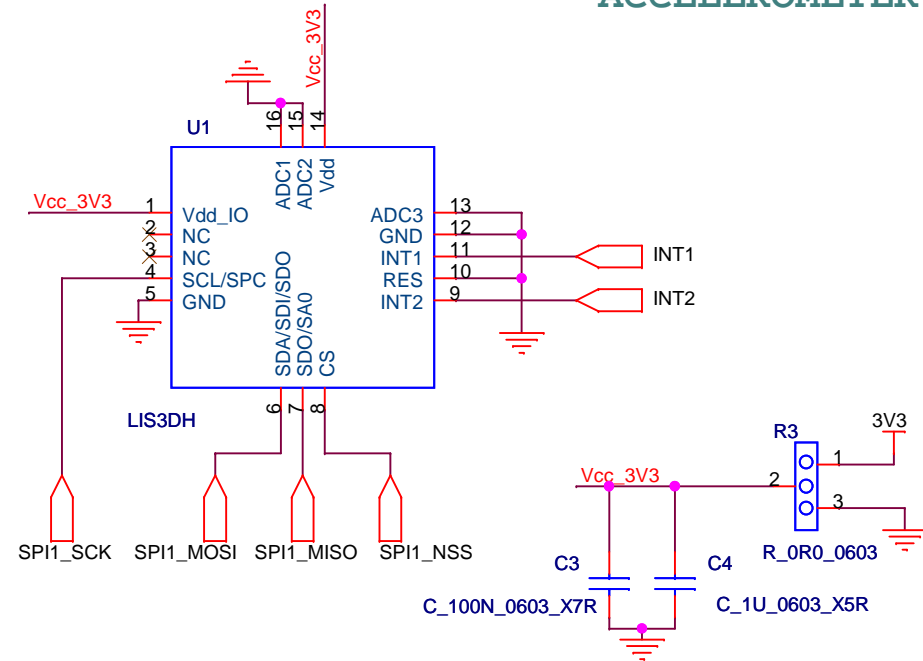


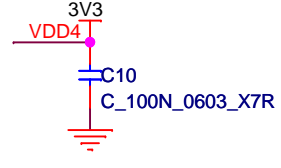
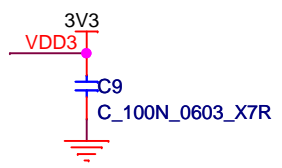
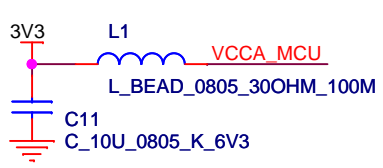
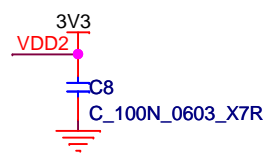
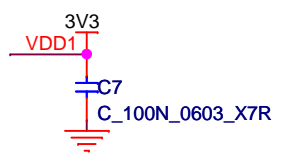
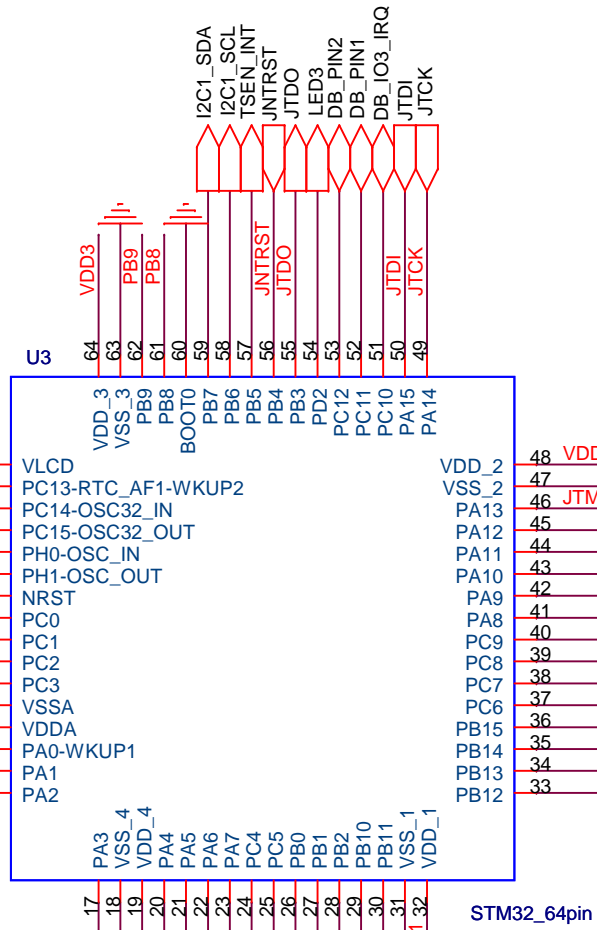
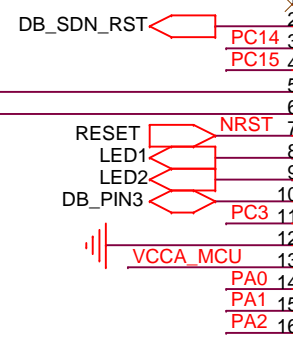
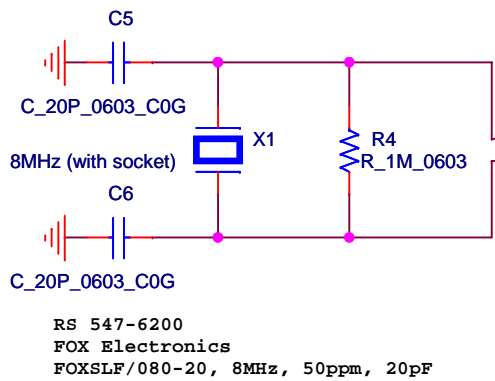
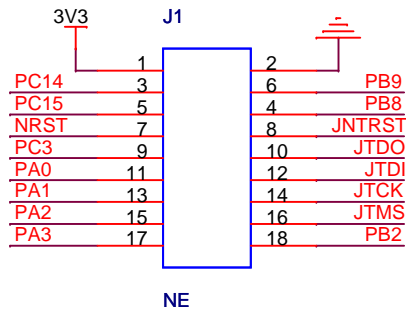
TEMPERATURE SENSOR



ACCELEROMETER



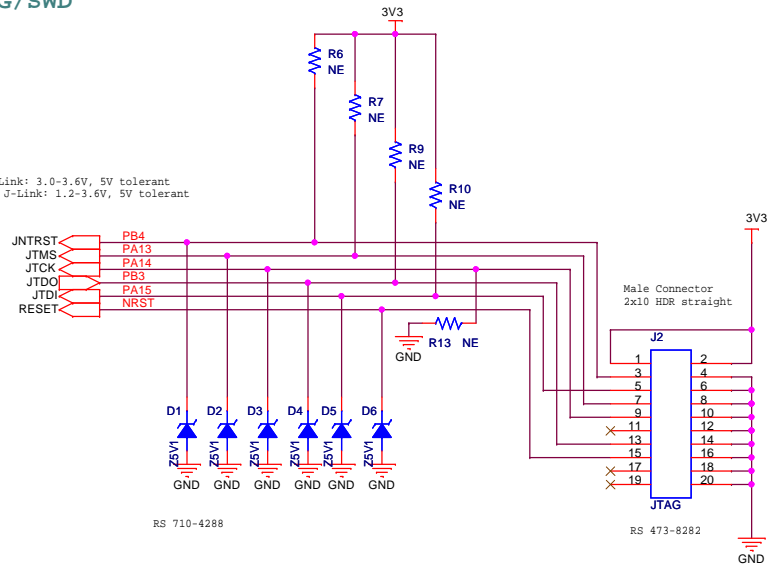
| | | |
|--------------------------------------|--------------------------|--------------|
| Title | | |
| ACCELEROMETER AND TEMPERATURE SENSOR | | |
| Size | Document Number | Rev |
| A | 1 | A |
| Date: | Thursday, April 11, 2013 | Sheet 1 of 4 |



| | | |
|-------|--------------------------|--------------|
| Title | | |
| MCU | | |
| Size | Document Number | Rev |
| A | 1 | A |
| Date: | Thursday, April 11, 2013 | Sheet 2 of 4 |

JTAG / SWD

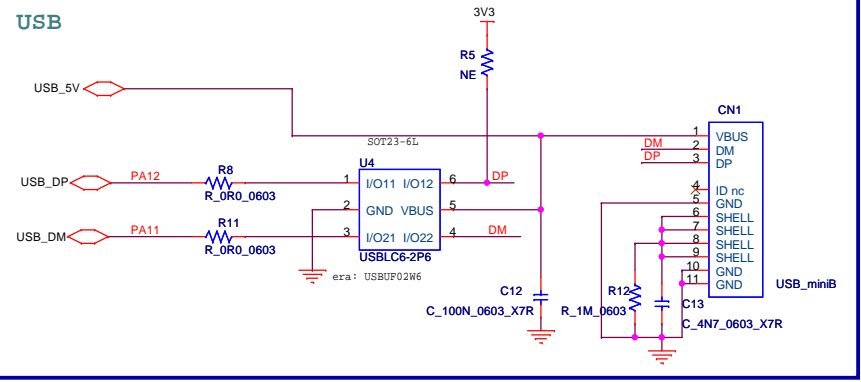
ST Link: 3.0-3.6V, 5V tolerant
IAR v-Link: 1.2-3.6V, 5V tolerant



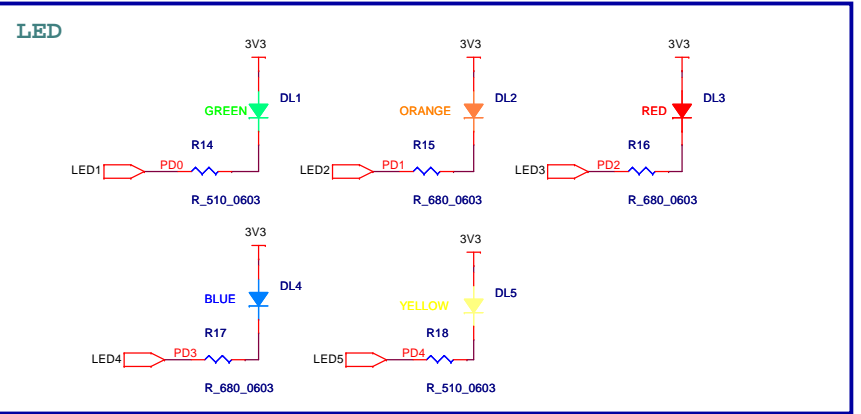
RS 710-4288

RS 473-8282

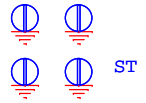
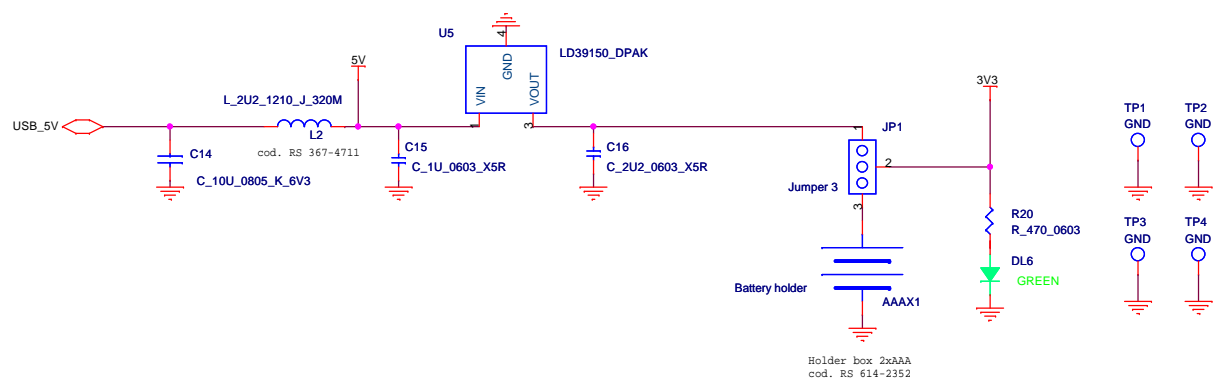
USB



LED



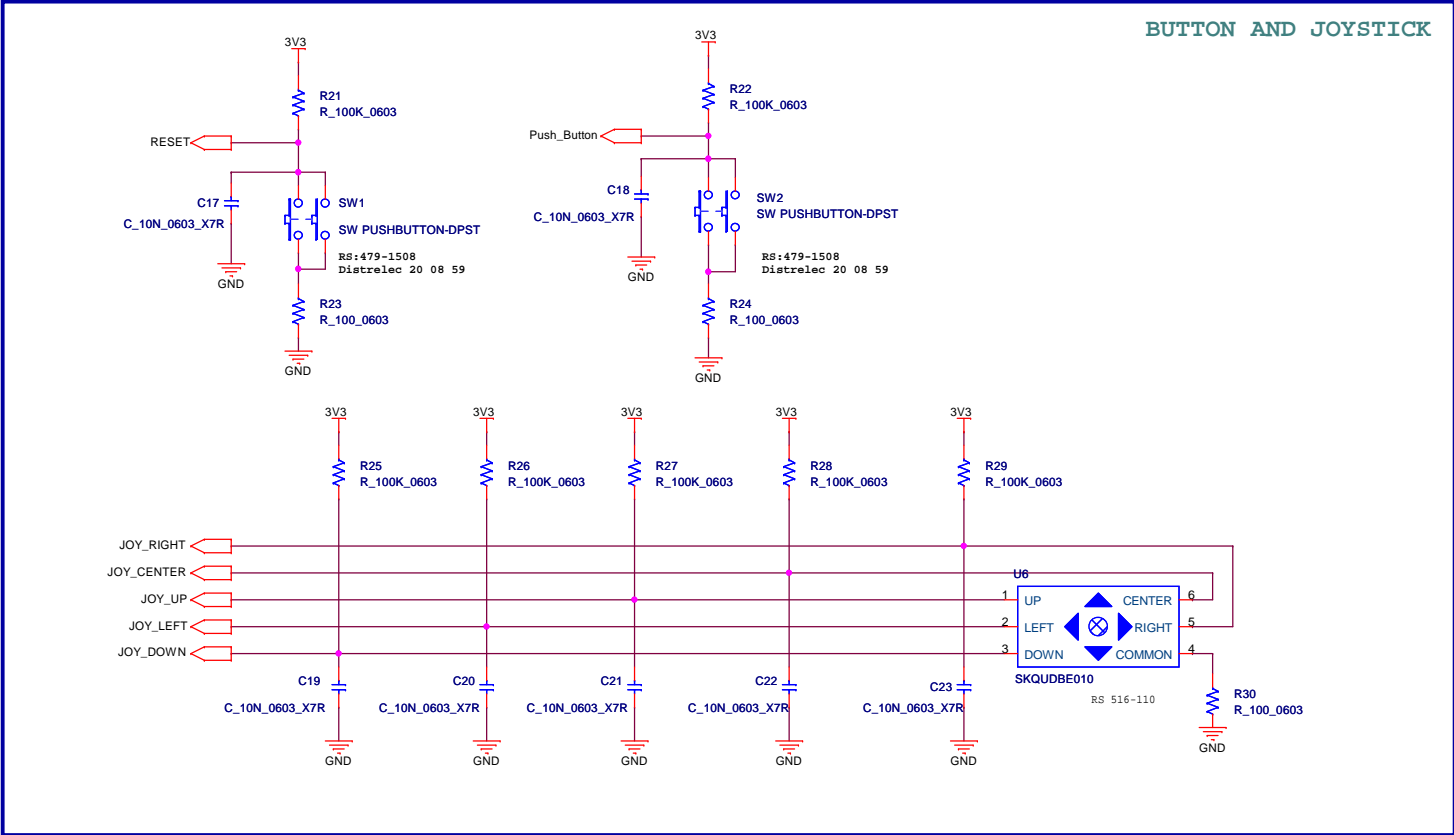
POWER SUPPLY



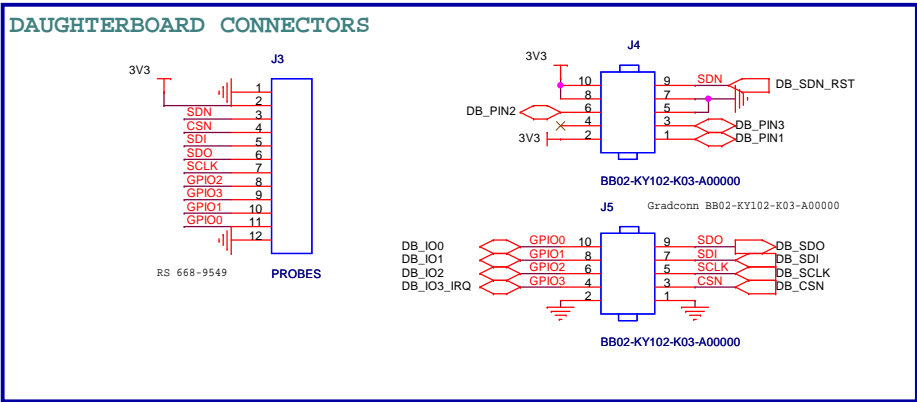
ST

| | | |
|---------------------------|--------------------------|--------------|
| Title | | |
| POWER SUPPLY_LED_JTAG_USB | | |
| Size | Document Number | Rev |
| A3 | 1 | A |
| Date: | Thursday, April 11, 2013 | Sheet 3 of 4 |

BUTTON AND JOYSTICK

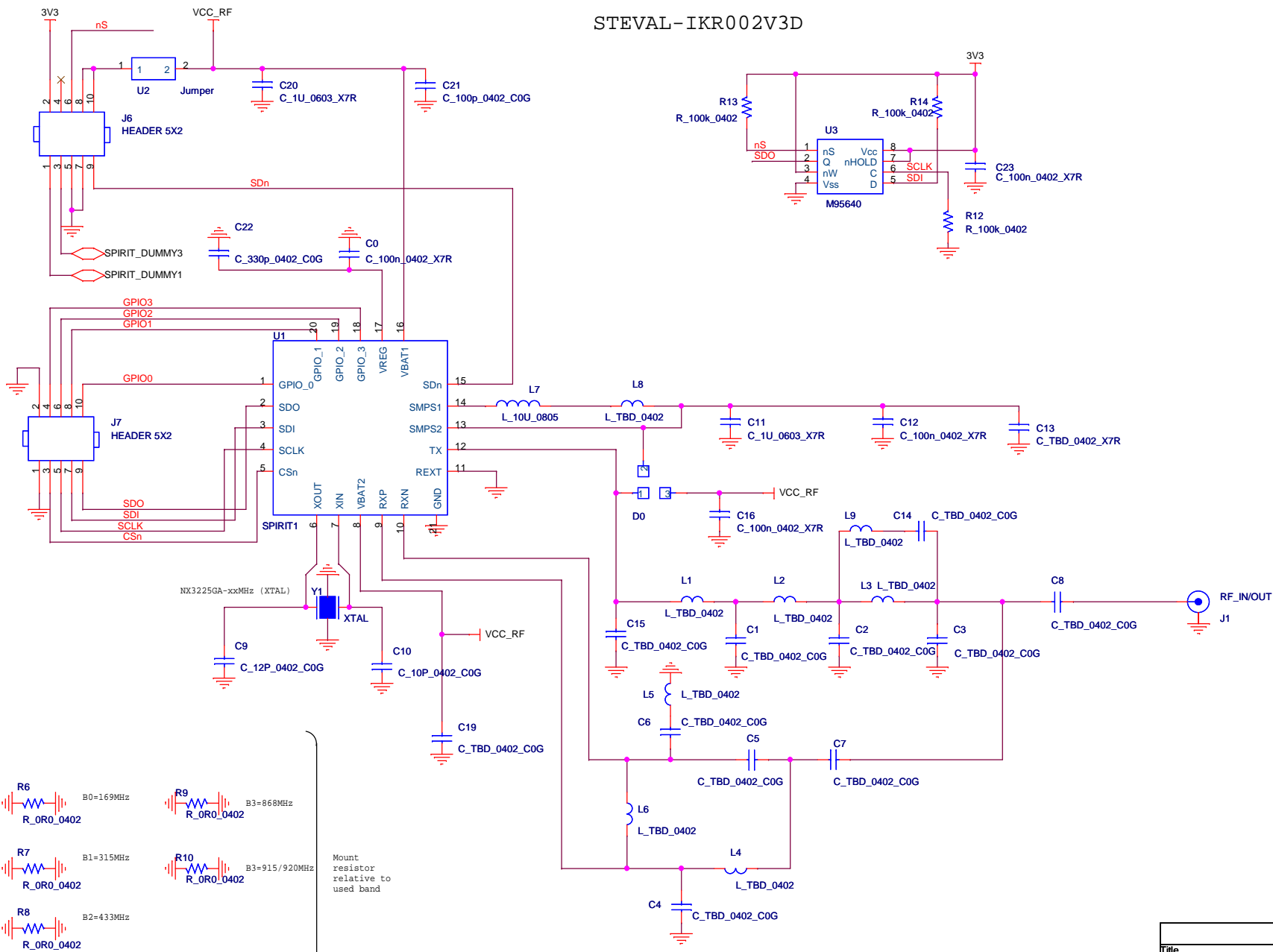


DAUGHTERBOARD CONNECTORS



| | | |
|--------------------------------|--------------------------|--------------|
| Title | | |
| CONNECTORS BUTTON AND JOYSTICK | | |
| Size | Document Number | Rev |
| A3 | 1 | A |
| Date: | Thursday, April 11, 2013 | Sheet 4 of 4 |

STEVAL-IKR002V3D



- R6 B0=169MHz
R_0R0_0402
- R7 B1=315MHz
R_0R0_0402
- R8 B2=433MHz
R_0R0_0402
- R9 B3=868MHz
R_0R0_0402
- R10 B3=915/920MHz
R_0R0_0402

Mount resistor relative to used band

| | | |
|-----------------------|--------------------------|--------------|
| Title | | |
| SPIRIT1 RF PCB vers 4 | | |
| Size | Document Number | Rev |
| B | 1.0 | 1.0 |
| Date: | Thursday, April 18, 2013 | Sheet 1 of 1 |