



Figure 2: STEVAL-IHT008V1 control circuit schematic (1 of 3)

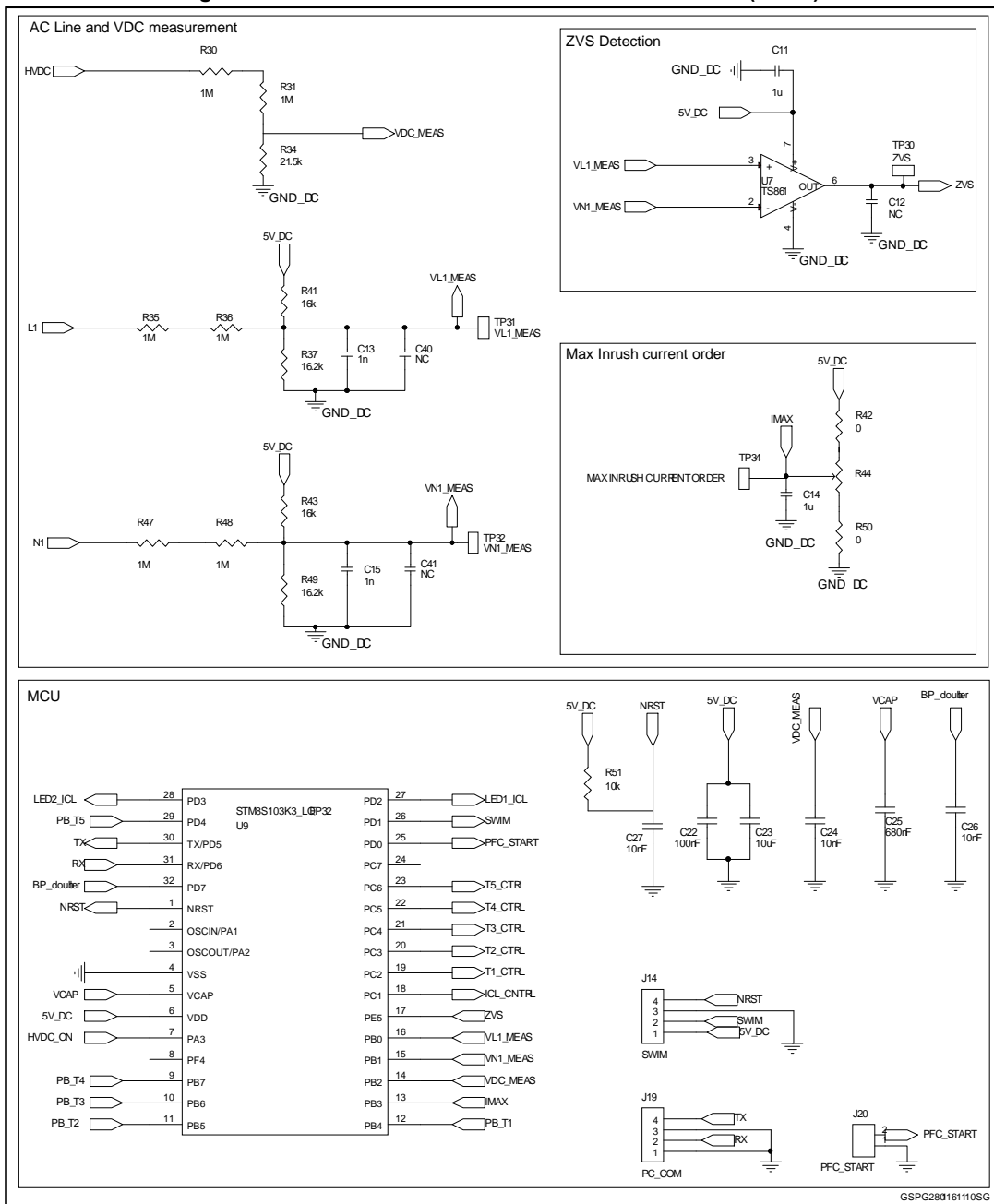


Figure 3: STEVAL-IHT008V1 control circuit schematic (2 of 3)

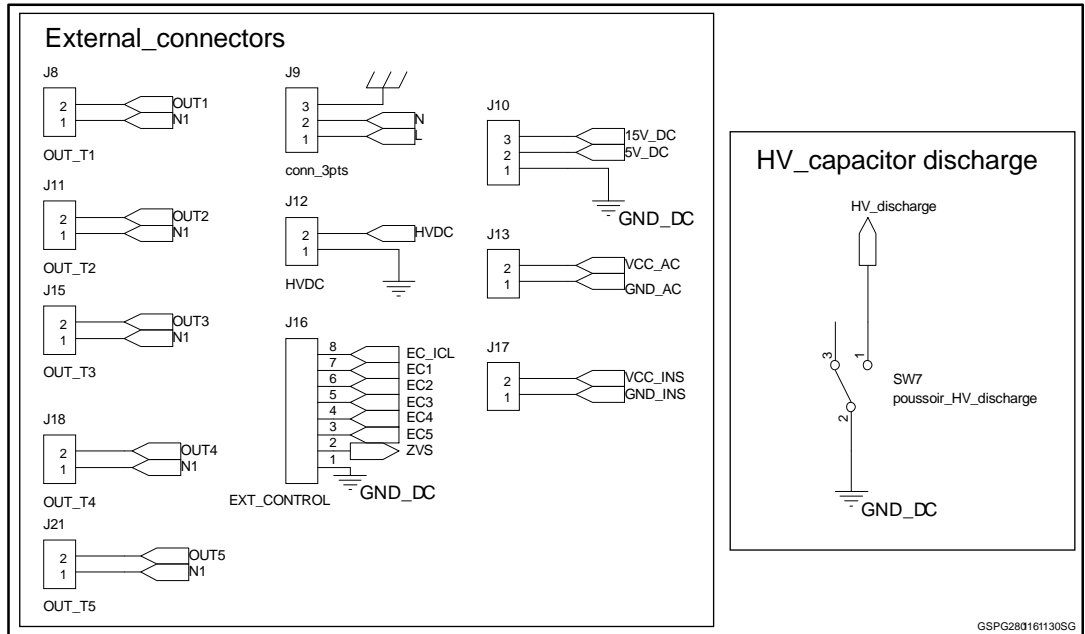


Figure 4: STEVAL-IHT008V1 control circuit schematic (3 of 3)

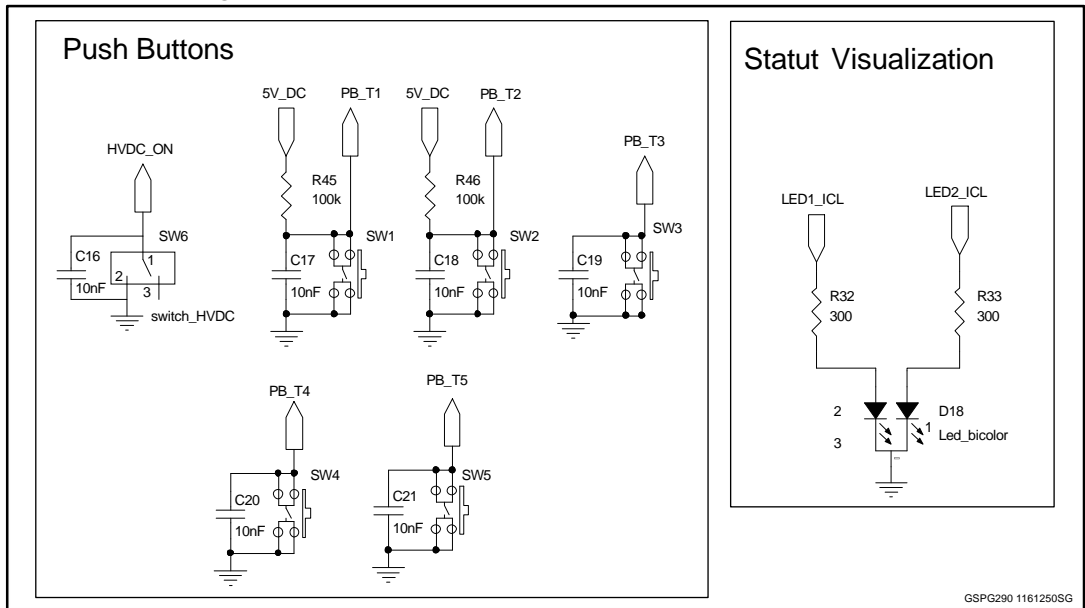


Figure 5: STEVAL-IHT008V1 Flyback SMPS schematic

