

STEVAL-IHM035V2 schematic diagrams

Figure 1. Inverter schematic

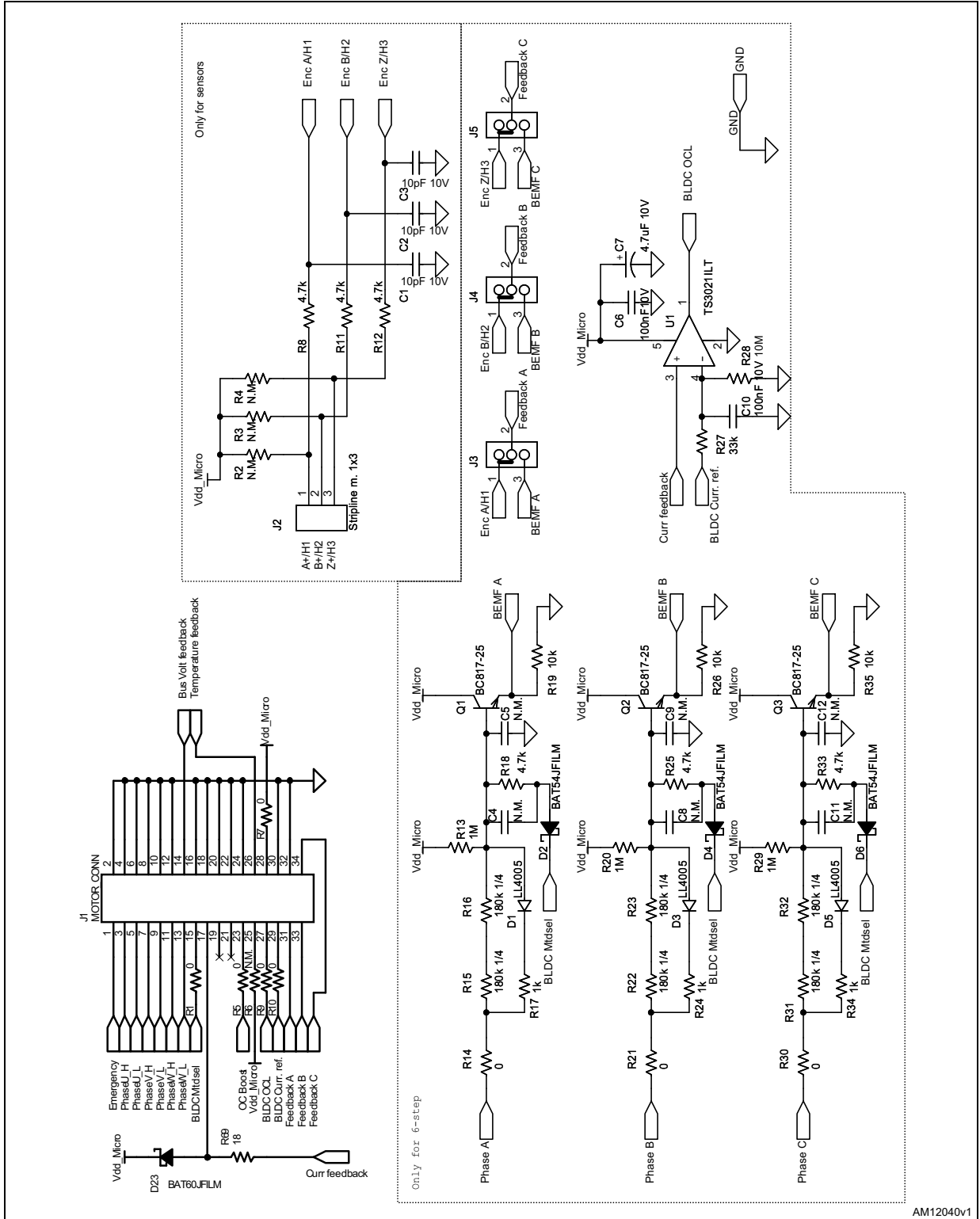


Figure 2. Power supply schematic

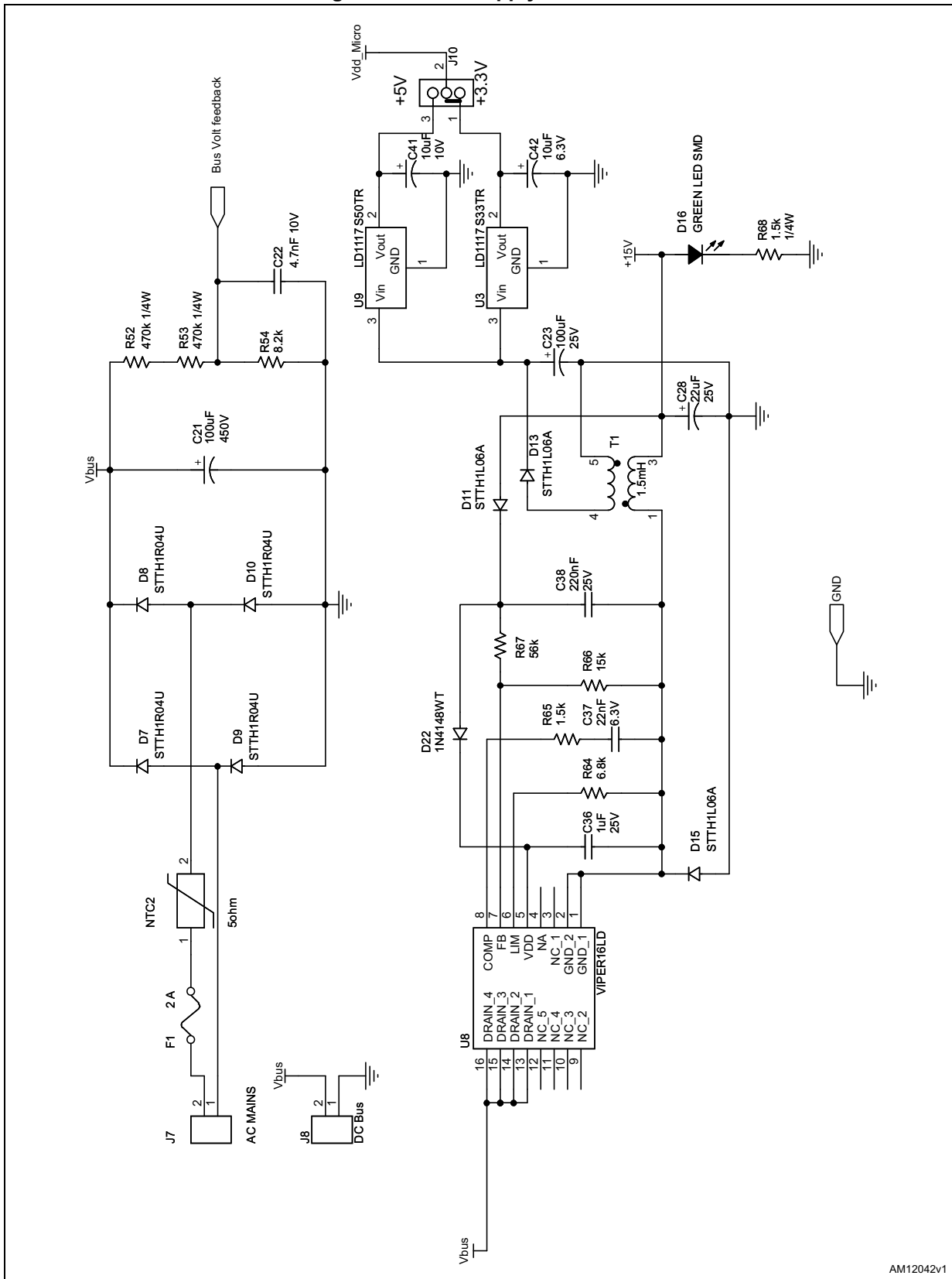


Figure 3. Sensor inputs, BEMF detecting network, motor control connector

