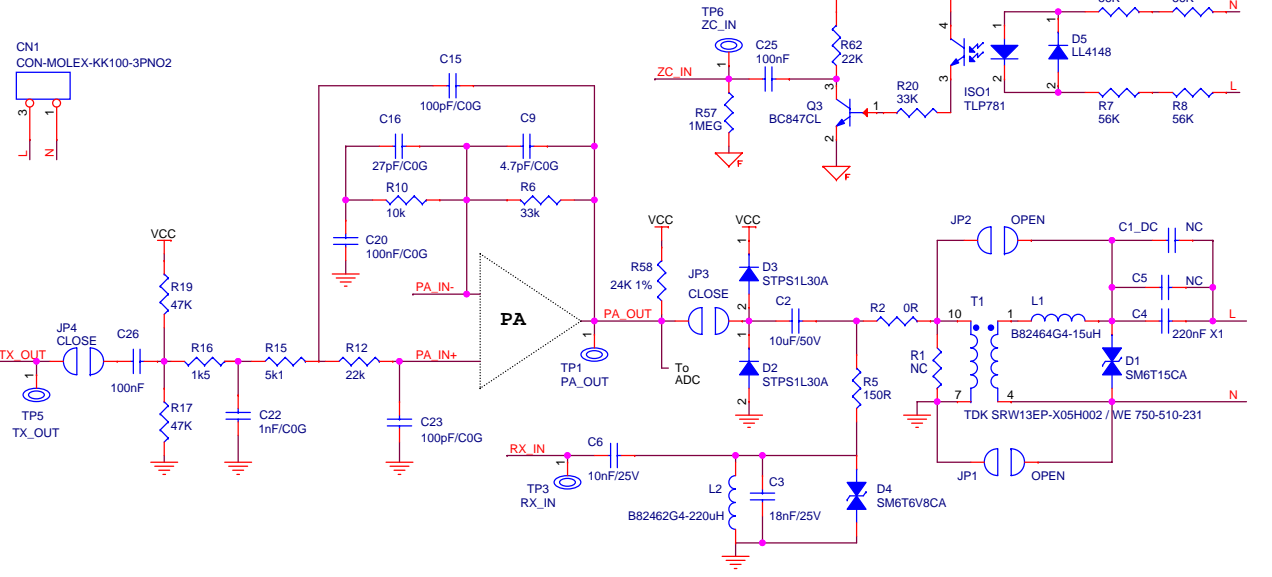
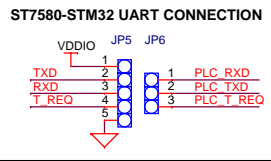
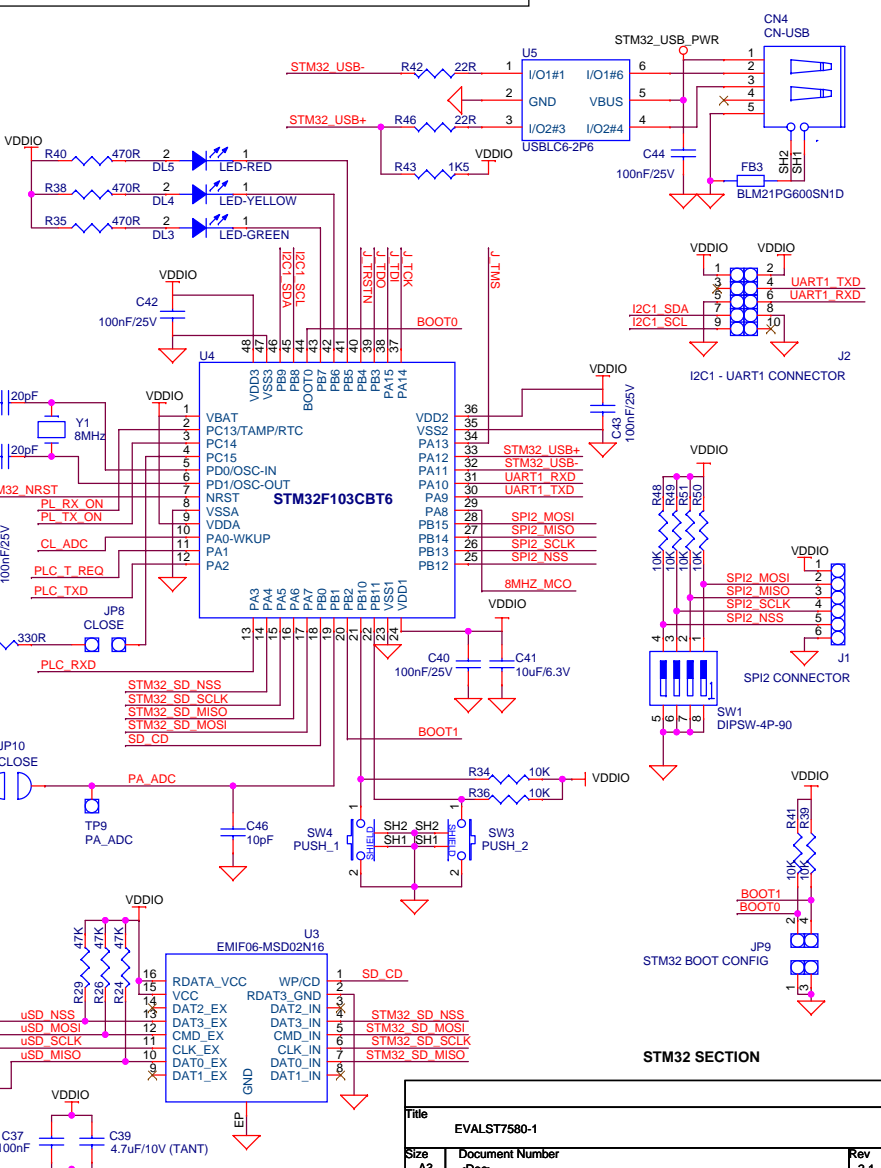
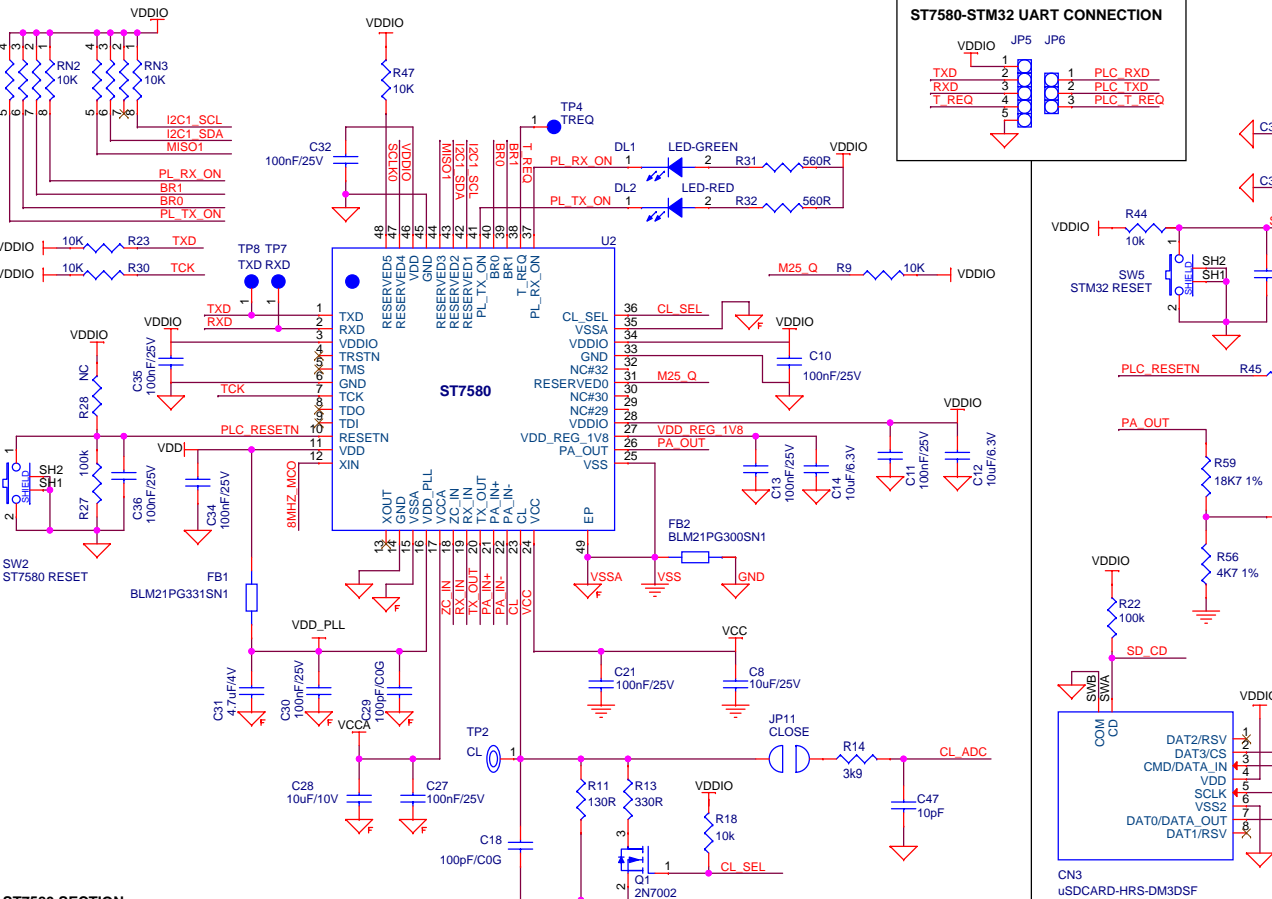
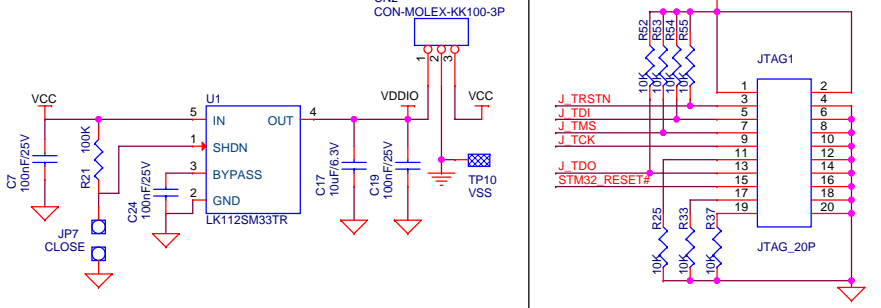


POWER LINE COUPLING SECTION



SUPPLY SECTION



Title	EVALST7580-1		
Size	A3	Document Number	<Doc>
Date:	Monday, March 05, 2012	Sheet	1 of 1
Rev	2.1		