

STEVAL-IHP002V2

Circuits schematic

Figure 1. Top-level schematic

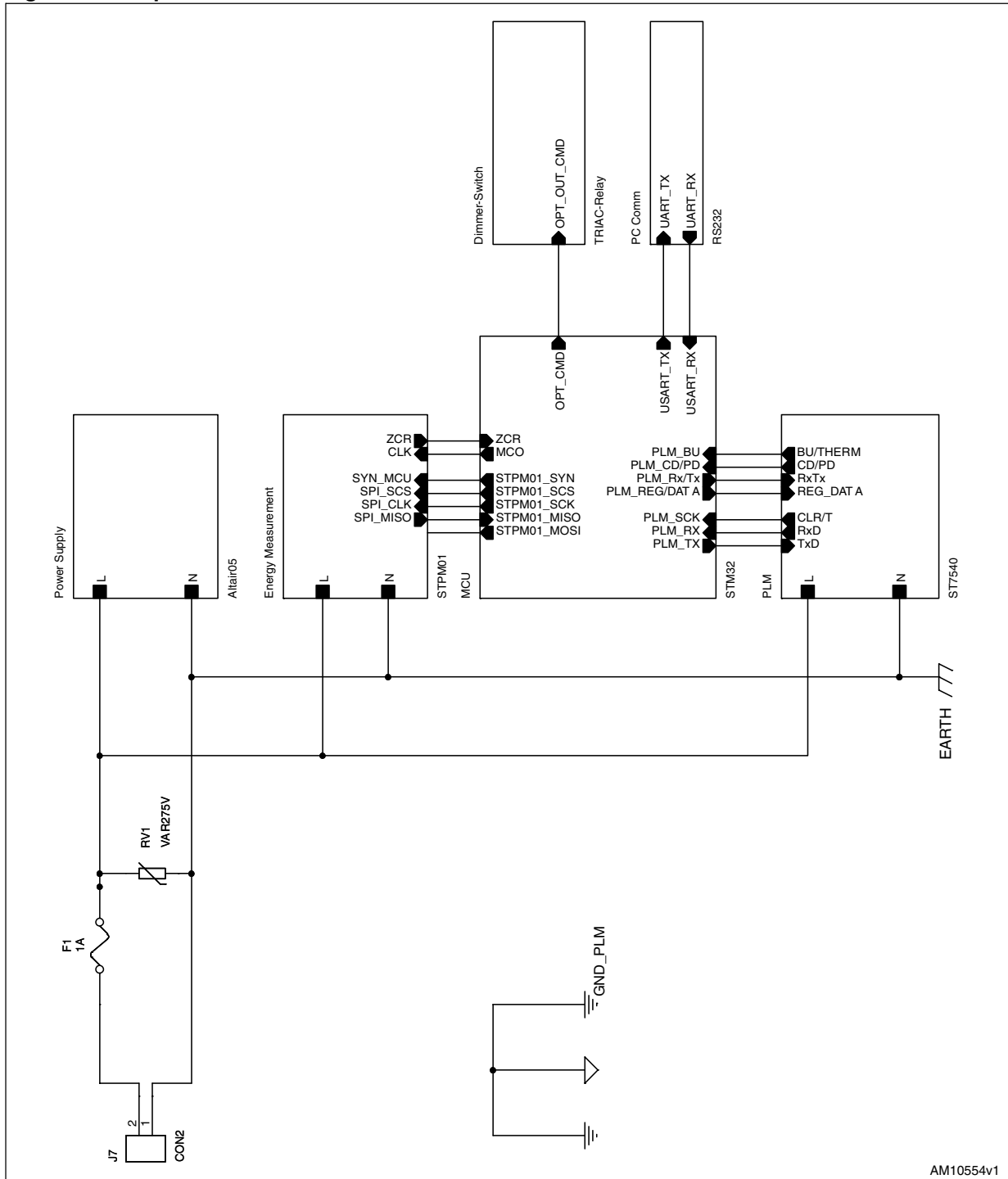


Figure 2. Power supply section

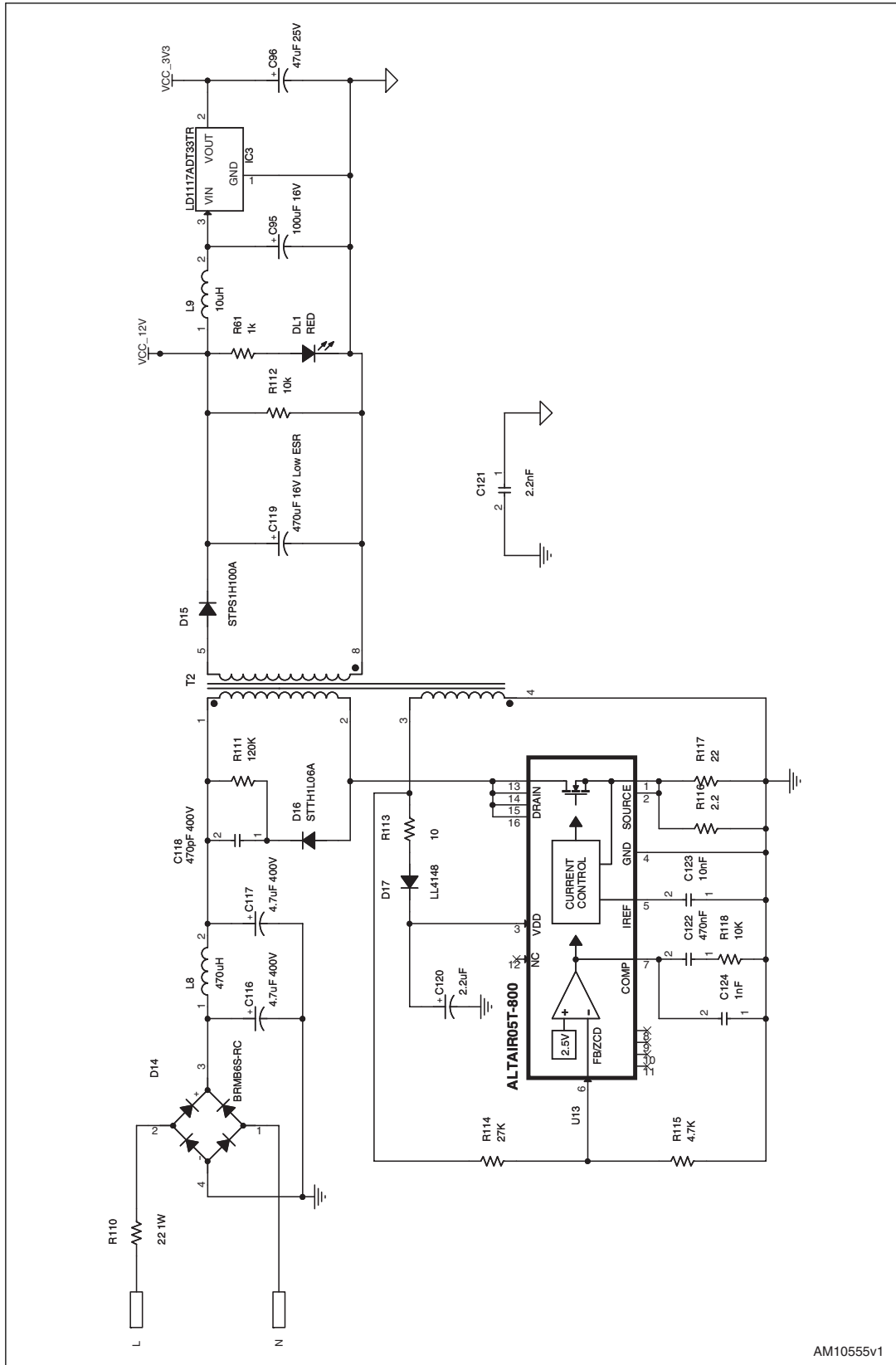


Figure 3. USART expansion connector section

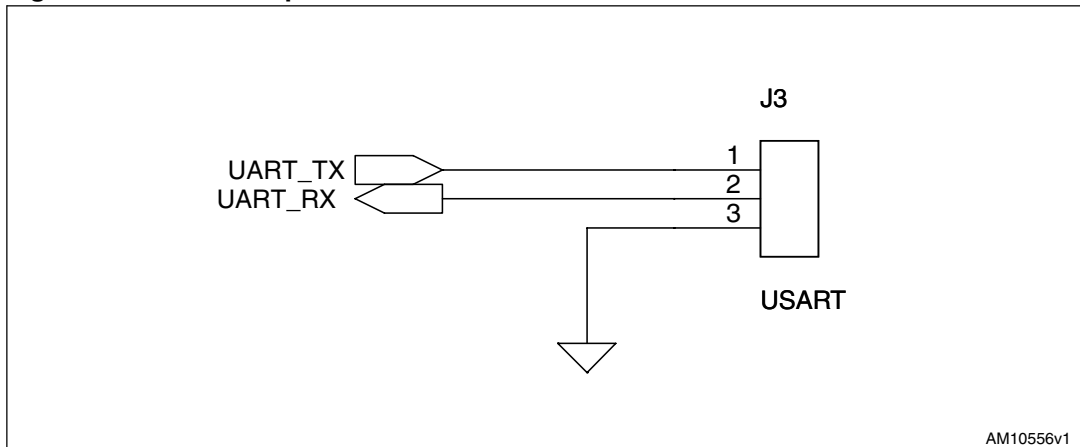


Figure 6. STPM01

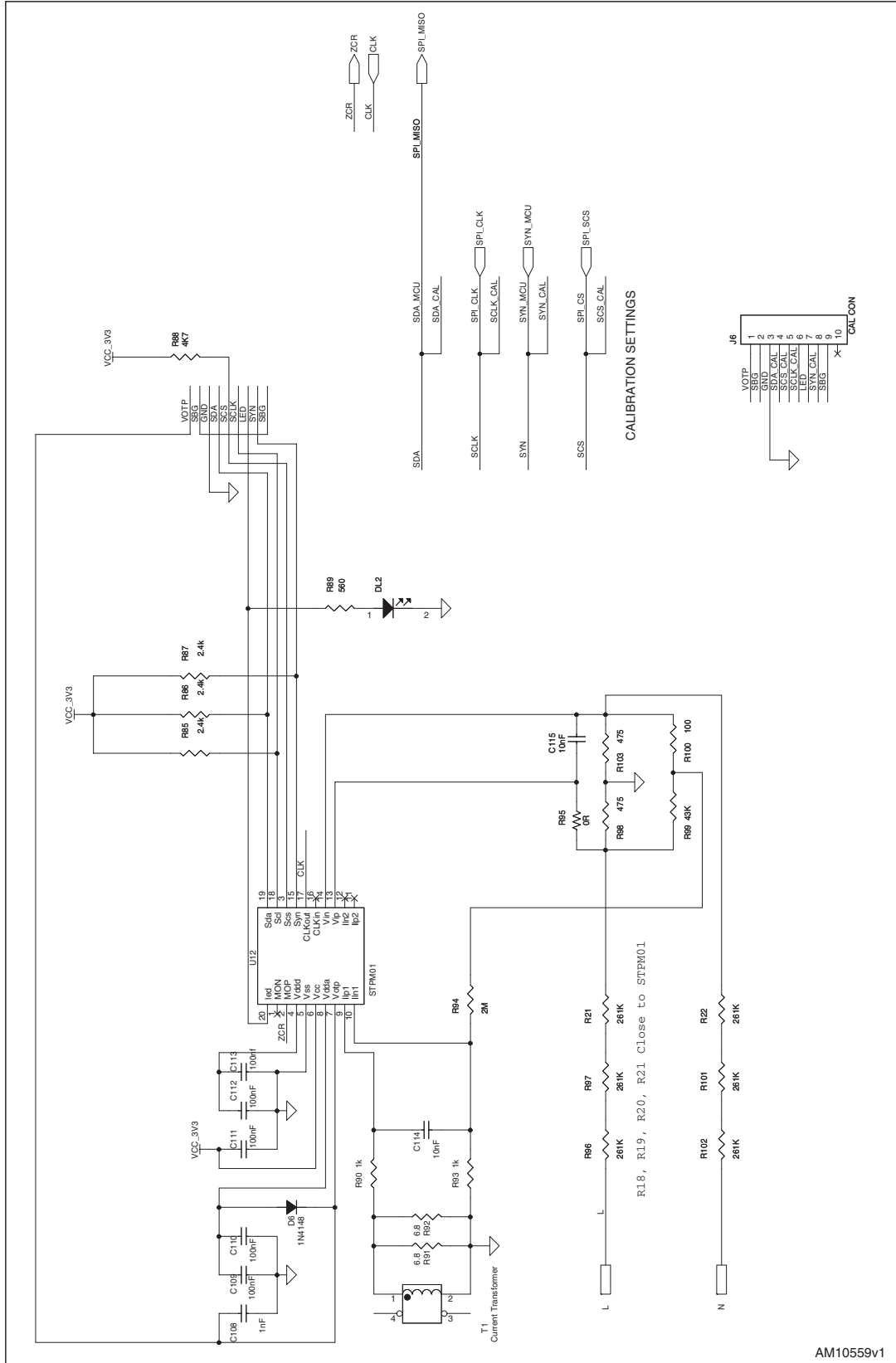


Figure 7. Output drivers

