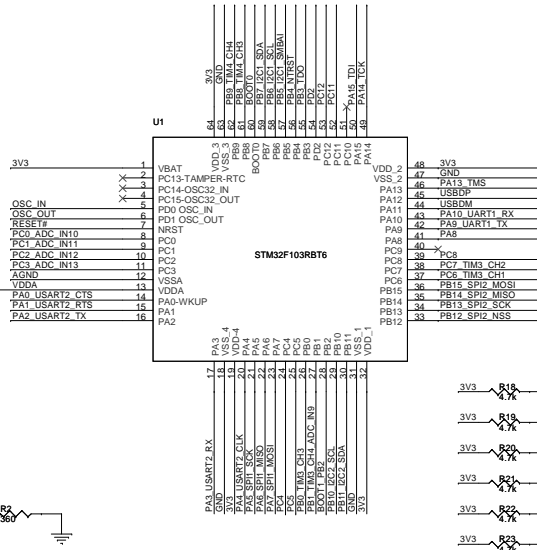
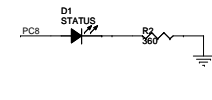
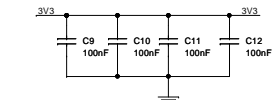
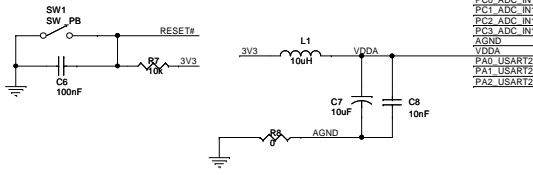
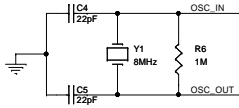
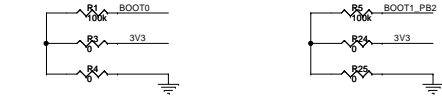
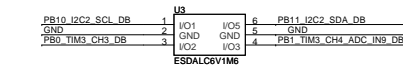
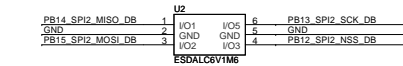
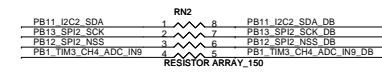
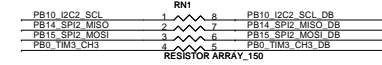
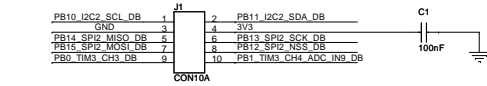


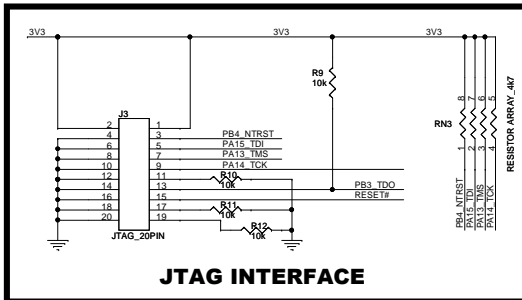
NOTE:-R3 & R4 MOUNT ONE AT A TIME      NOTE:-R24 & R25 MOUNT ONE AT A TIME



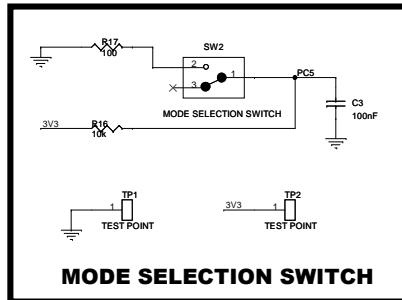
**MICROCONTROLLER SECTION**



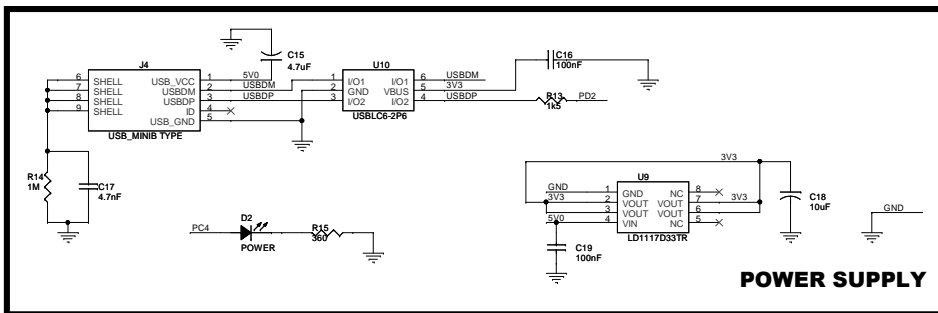
**10 PIN COM INTERFACE**



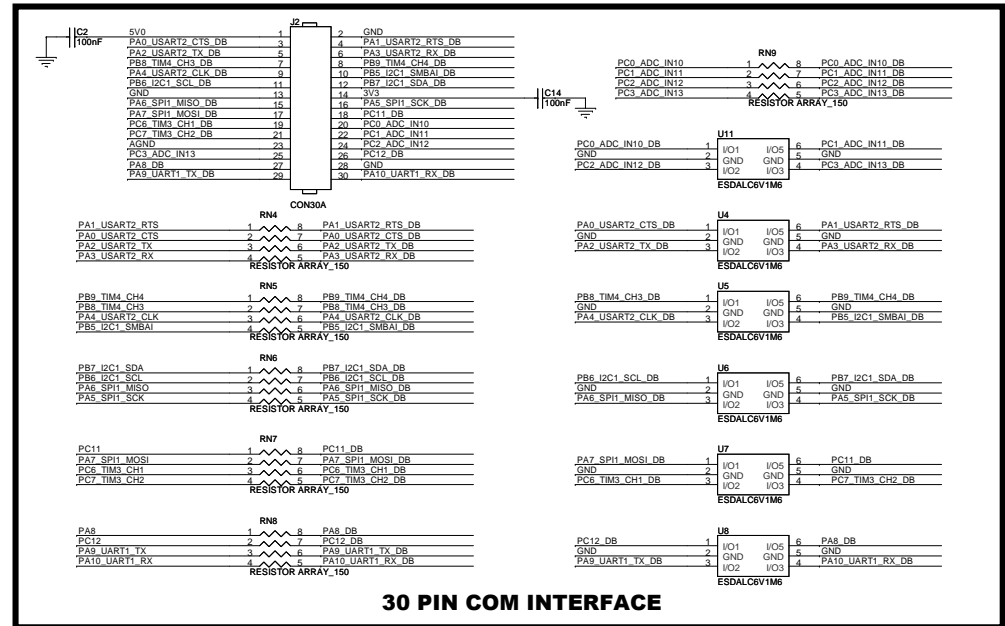
**JTAG INTERFACE**



**MODE SELECTION SWITCH**



**POWER SUPPLY**



**30 PIN COM INTERFACE**

STMicroelectronics and/or its licensors do not warrant the accuracy or completeness of this specification or any information contained therein. STMicroelectronics and/or its licensors do not warrant that this design will meet the specifications, will be suitable for your application or fit for any particular purpose, or will operate in an implementation. STMicroelectronics and/or its licensors do not warrant that the design is production worthy. You should completely validate and test your design implementation to confirm the system functionality for your application.

<b>WWW.ST.COM</b>			
Rev	<b>STM32 BASED I2C-U1</b>		
Size	Document Number	New 1	
	<b>TSEVAL-PC009V2</b>		
Date:	Tuesday, May 11, 2010	Sheet	1 of 1