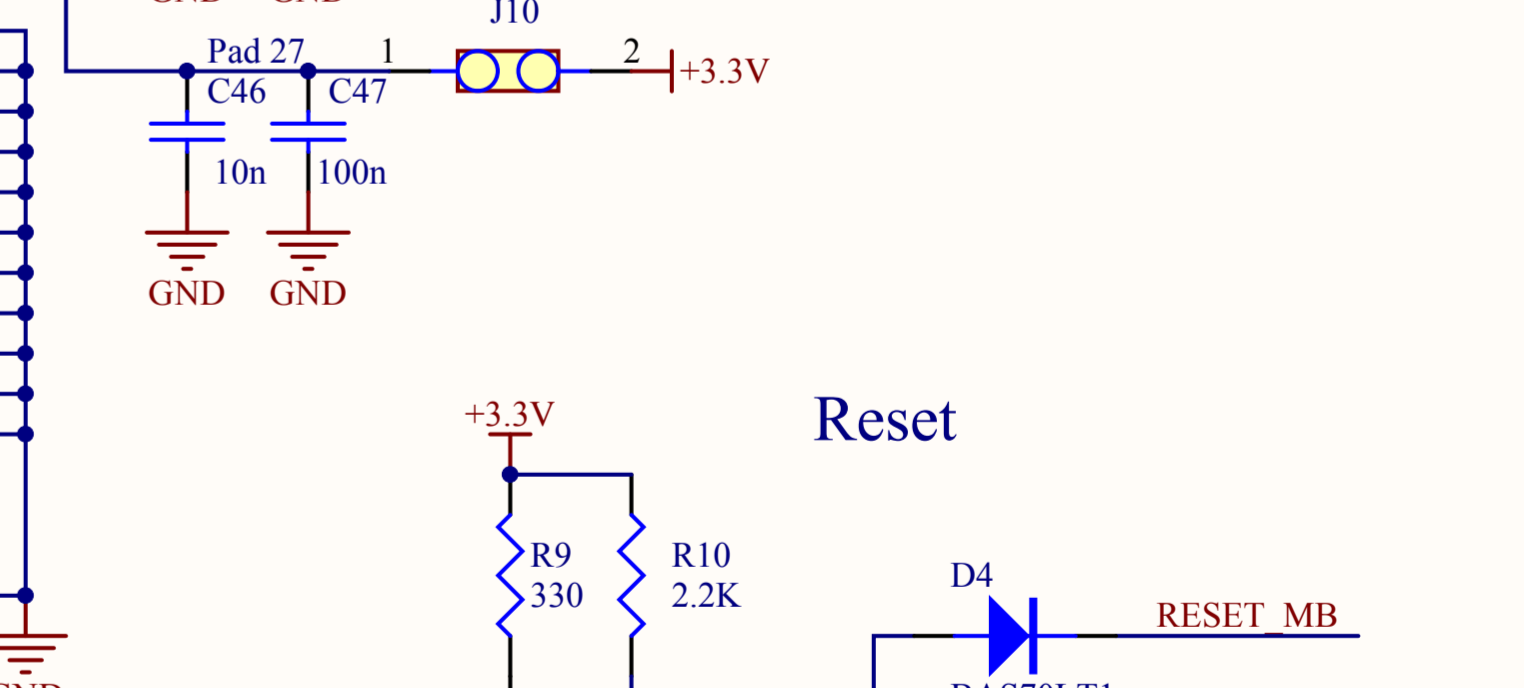
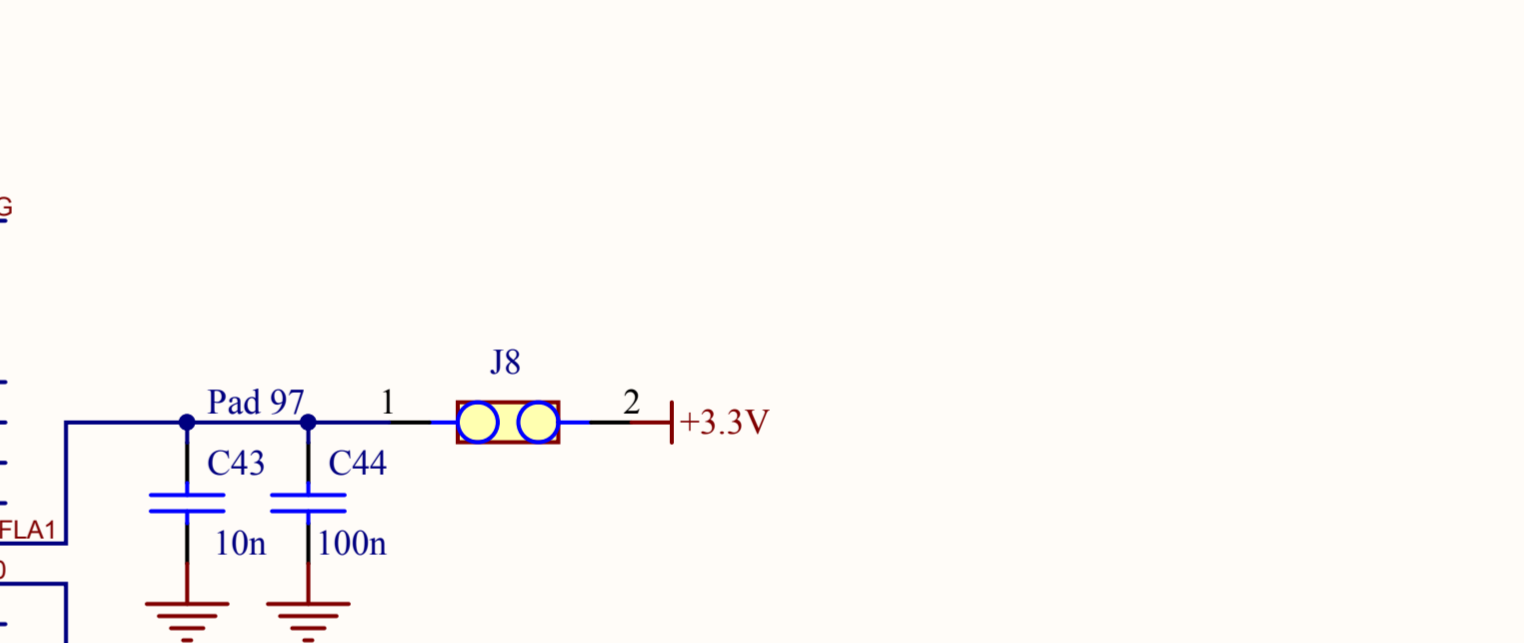
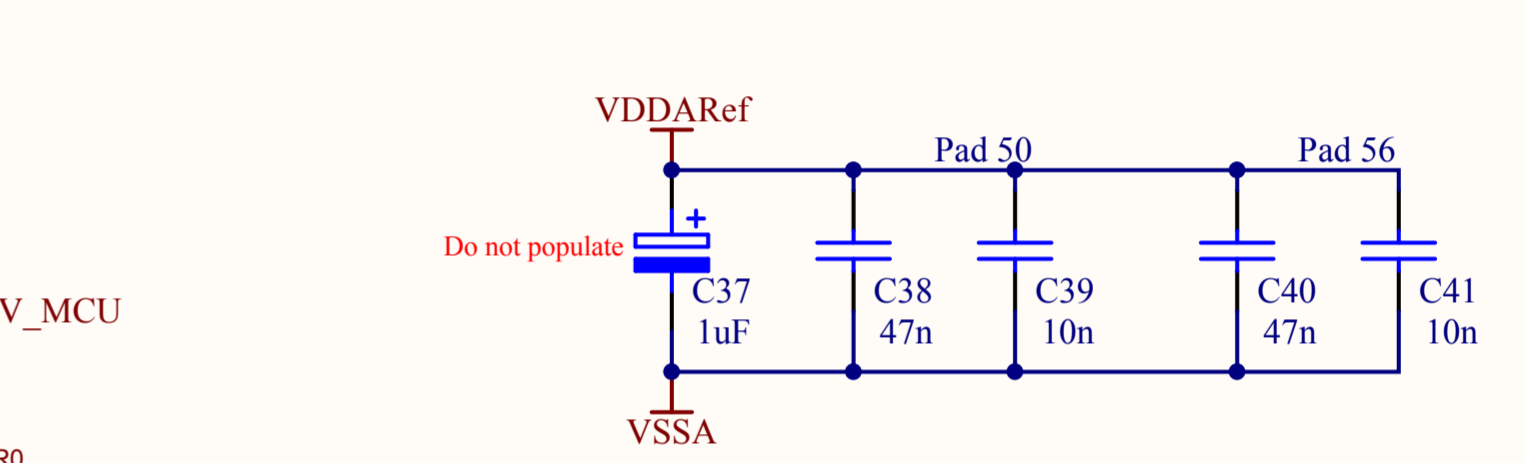
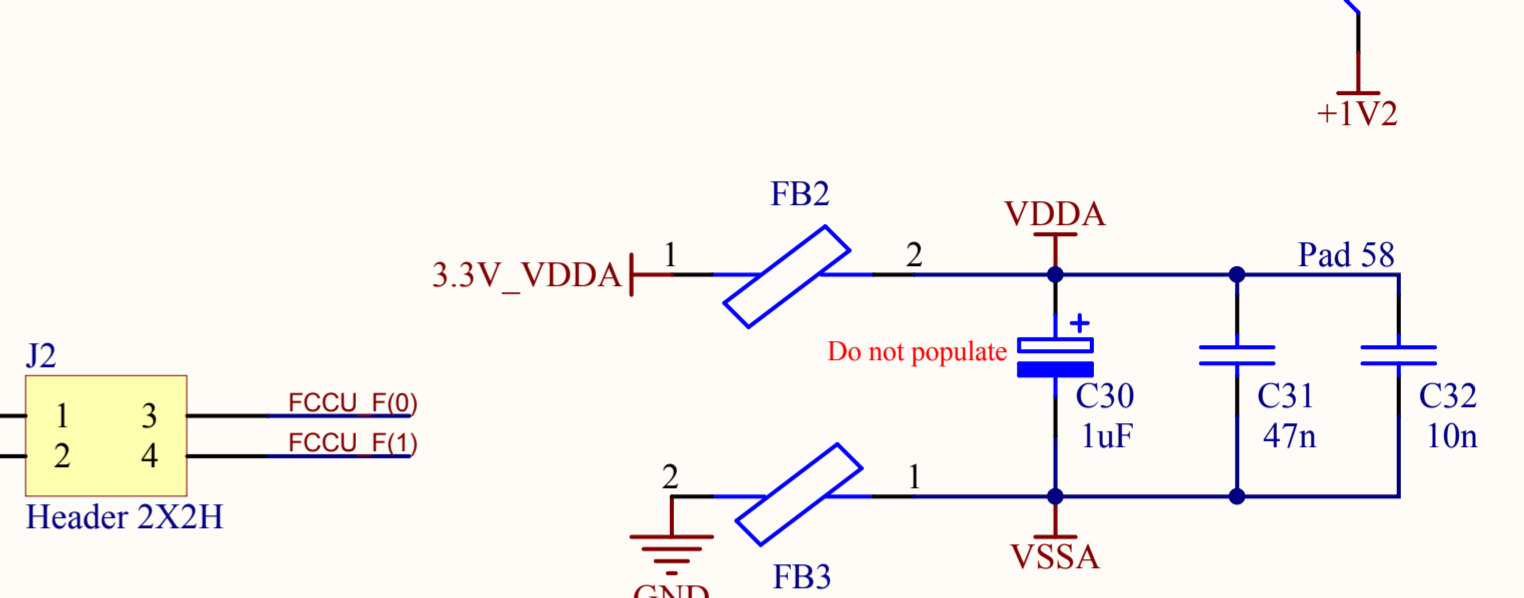
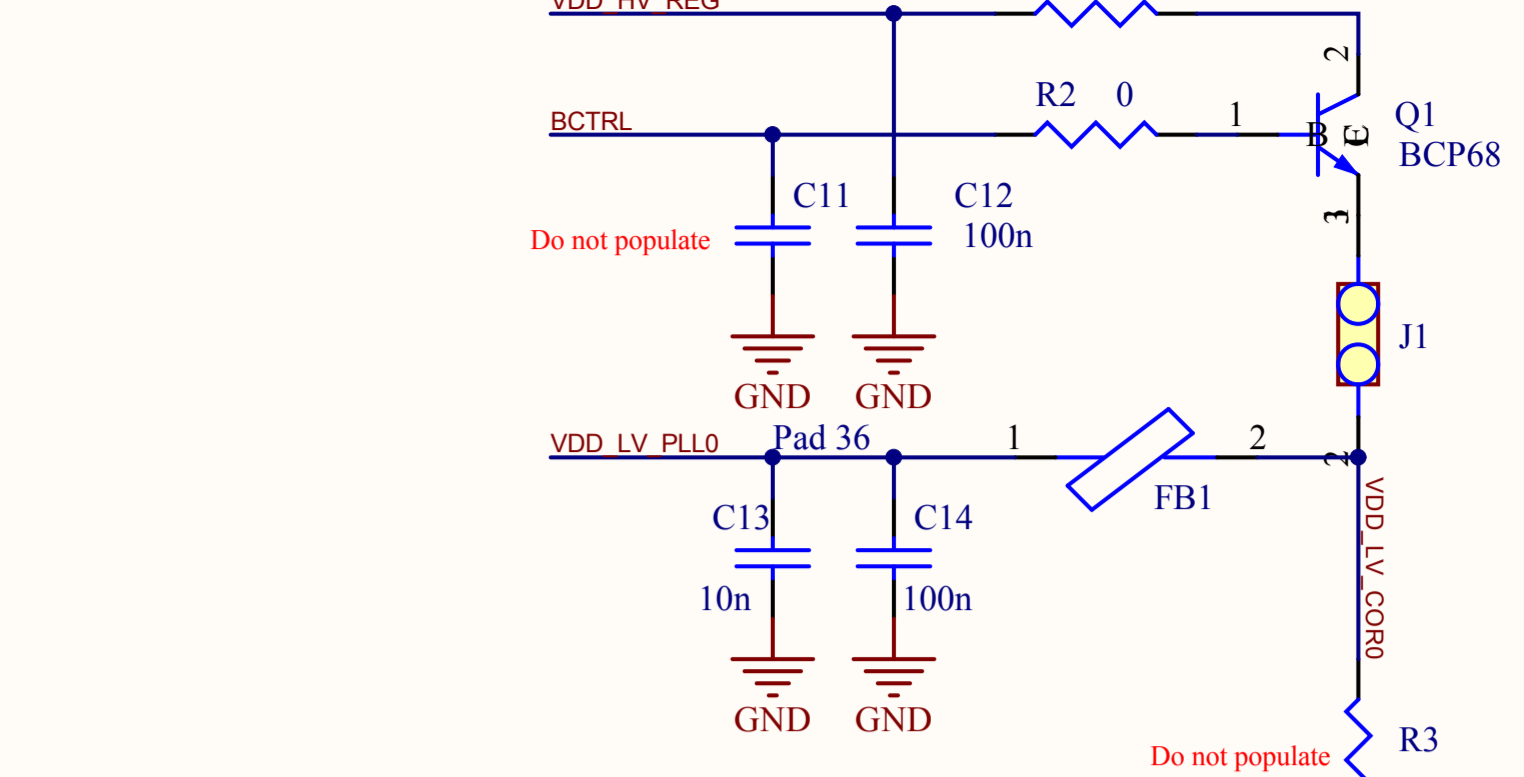
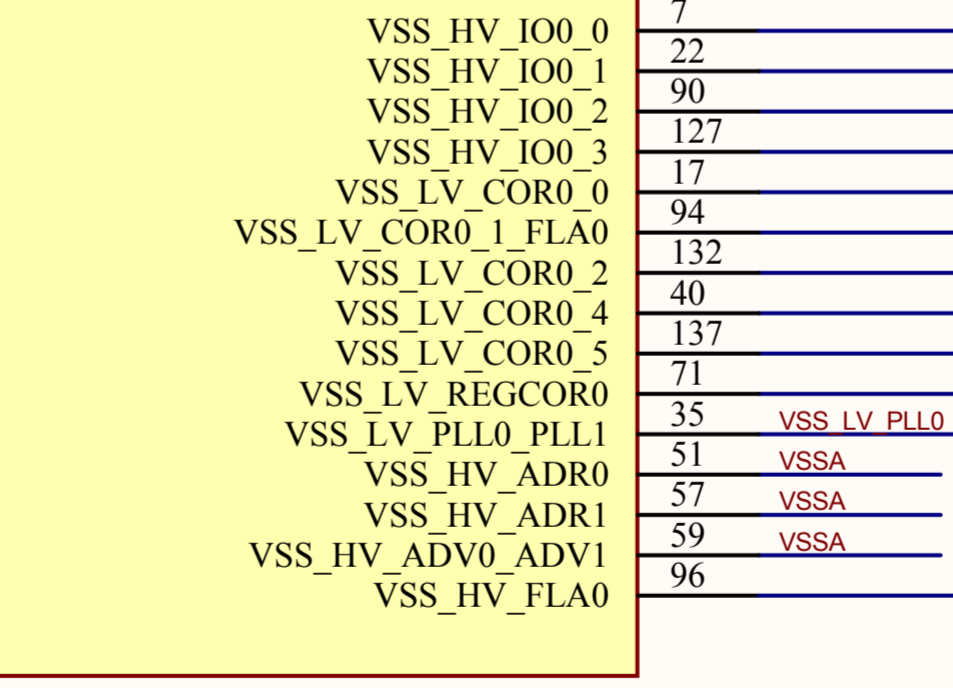
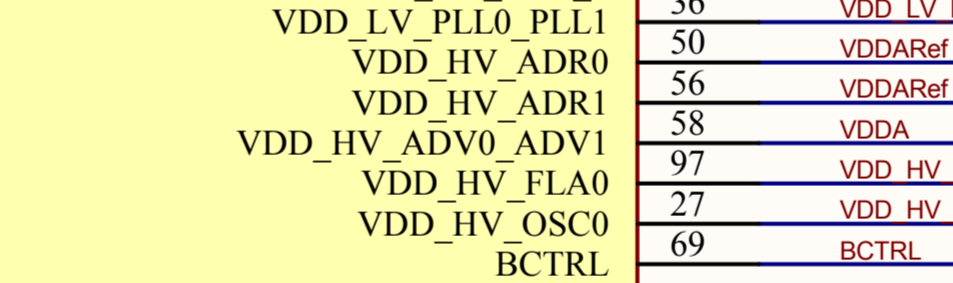
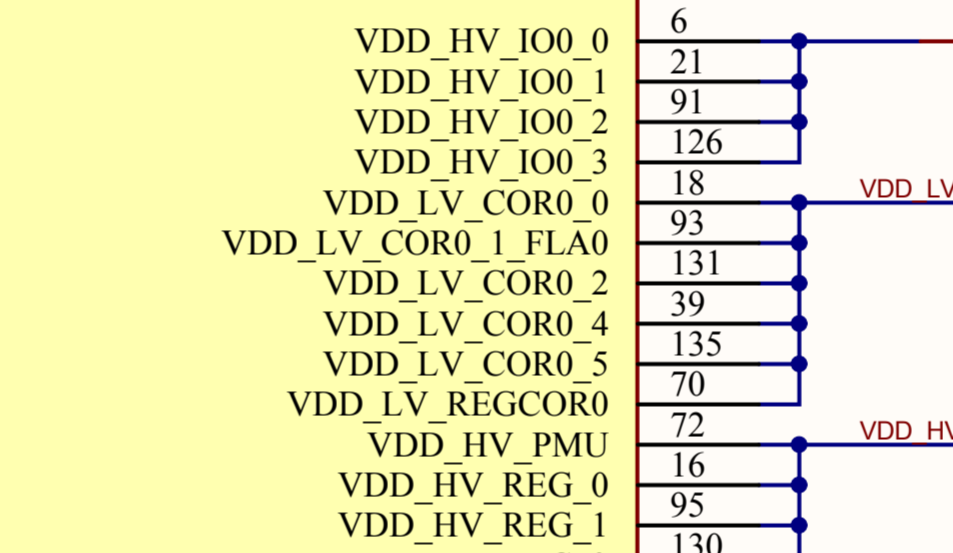
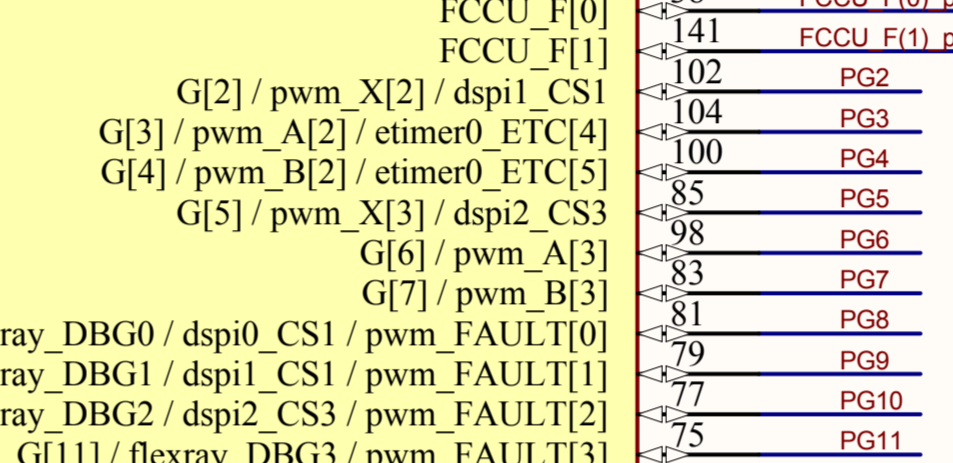
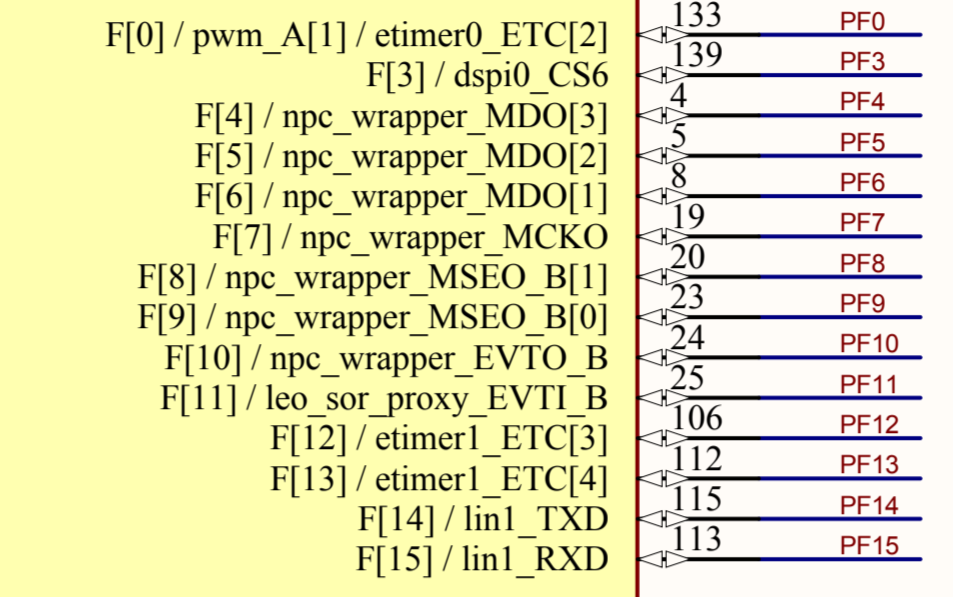
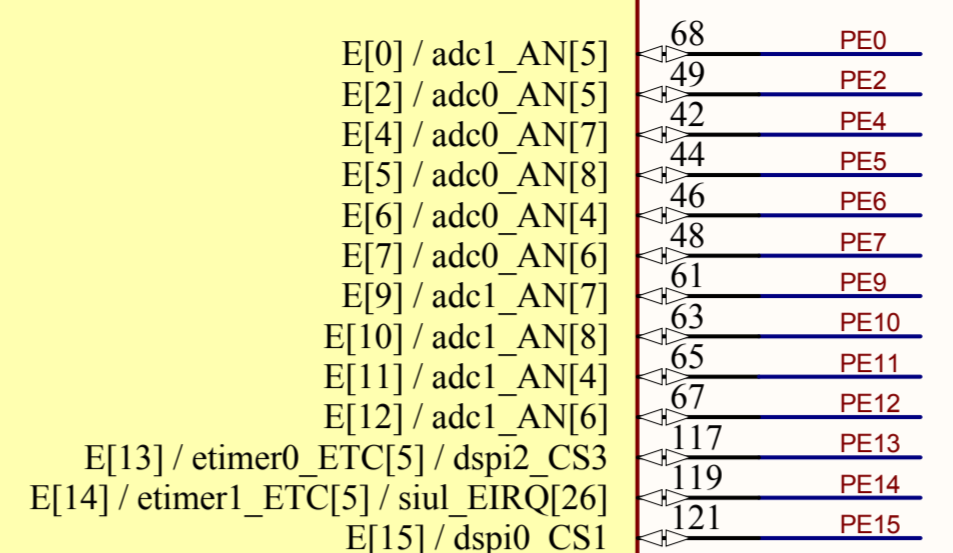
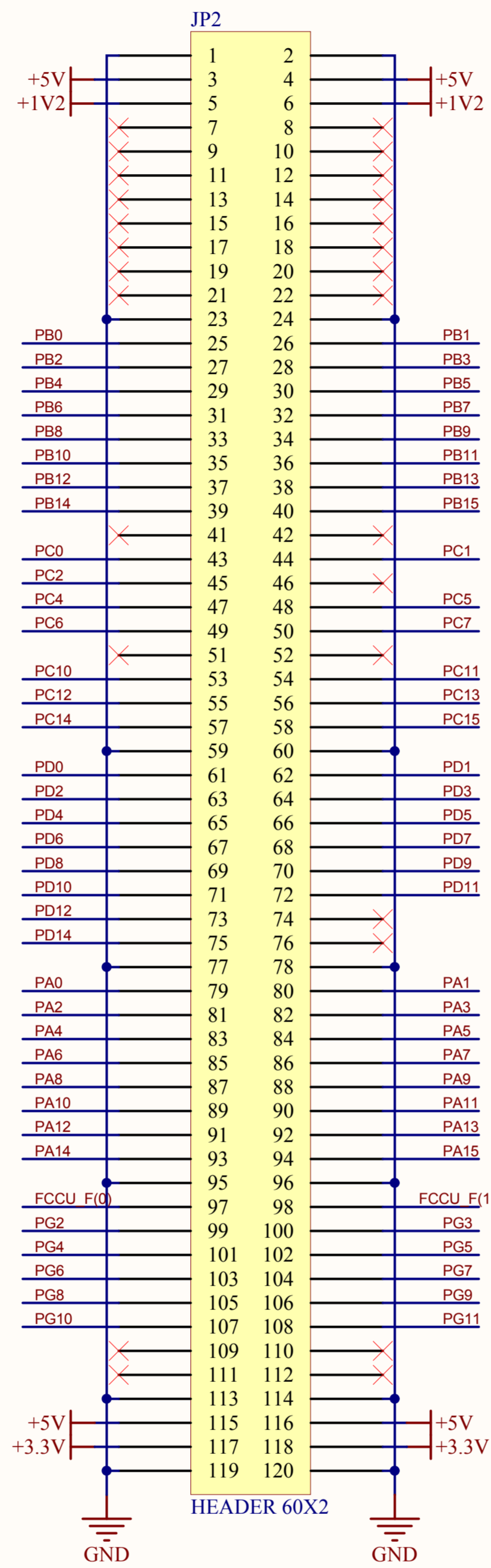
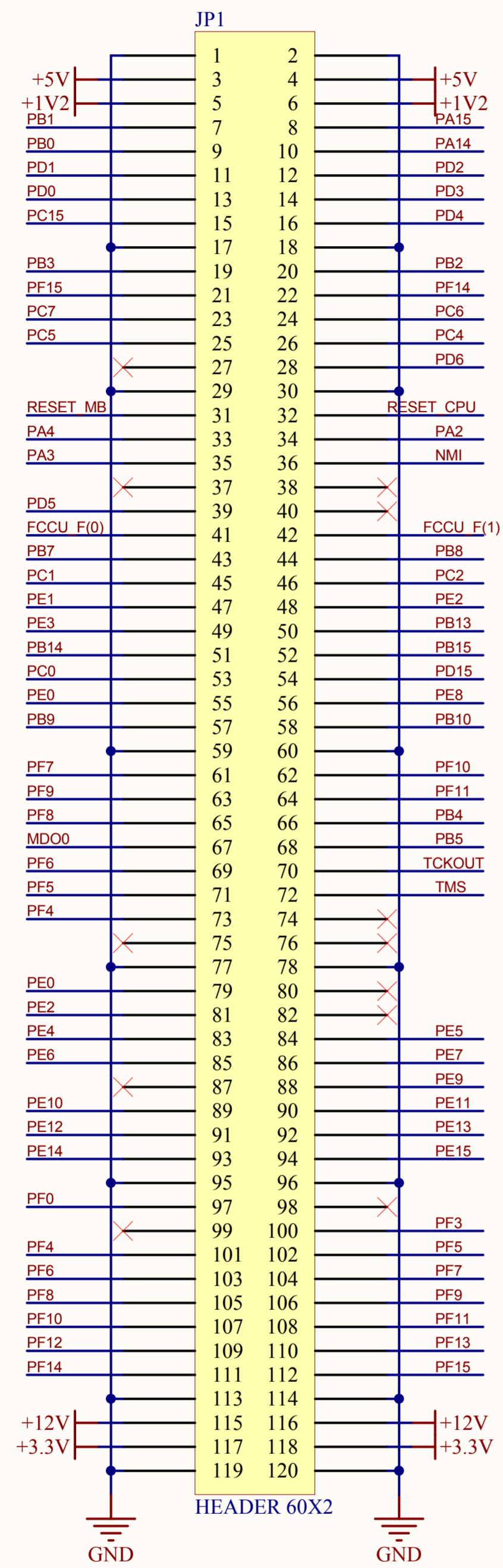


U1 SPC56EL (LQFP144)

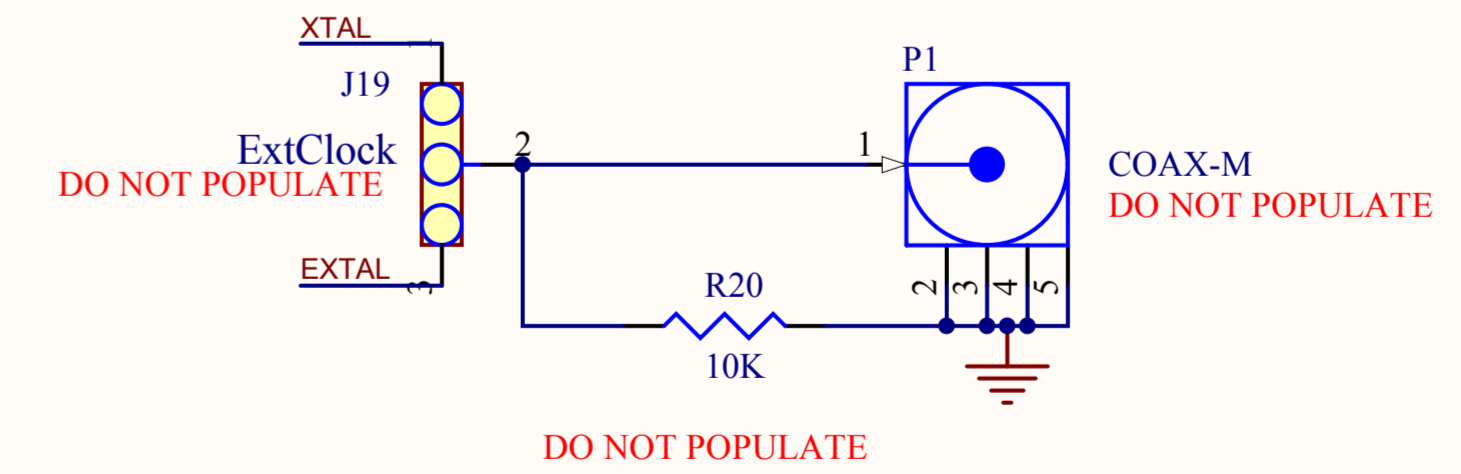
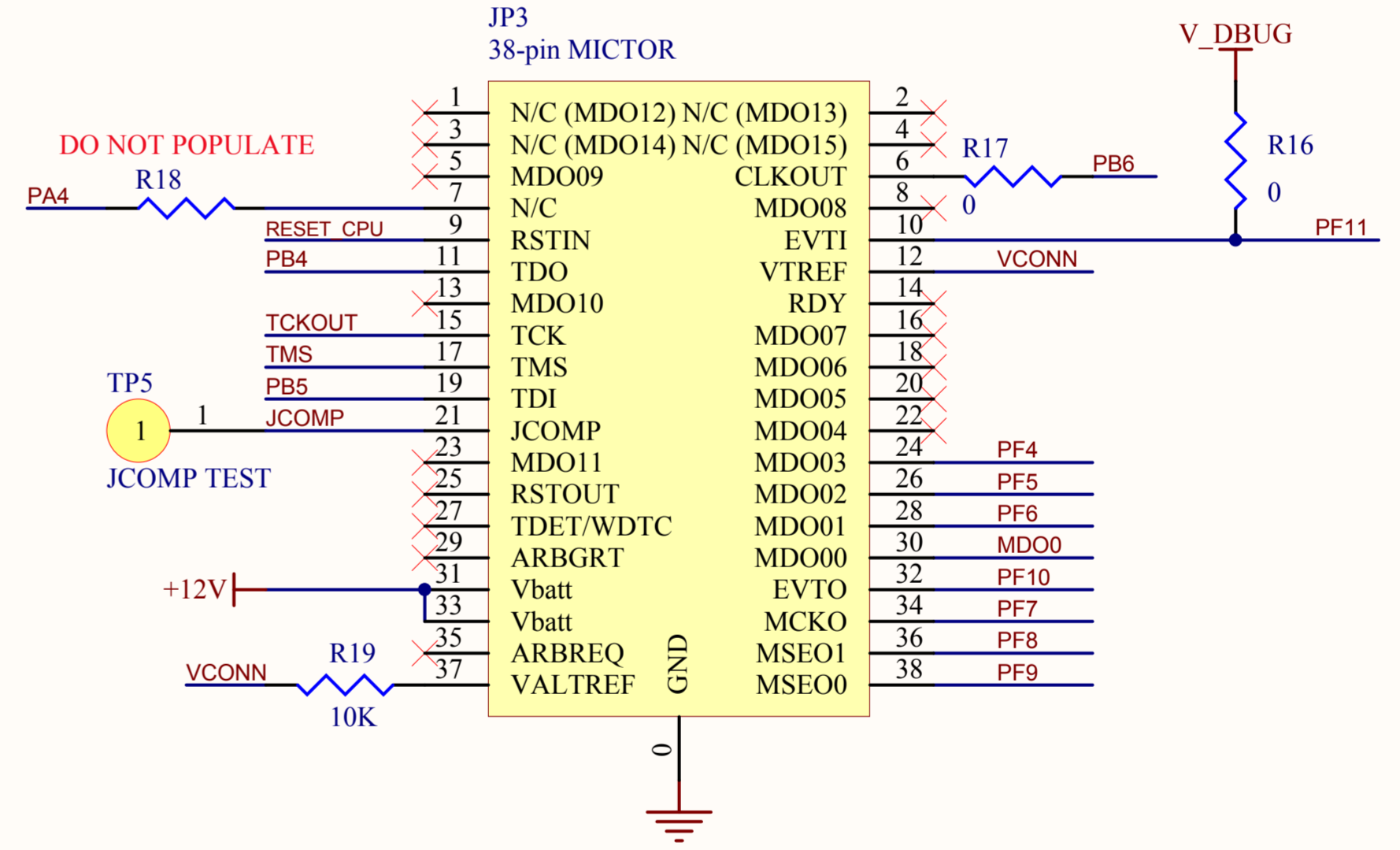
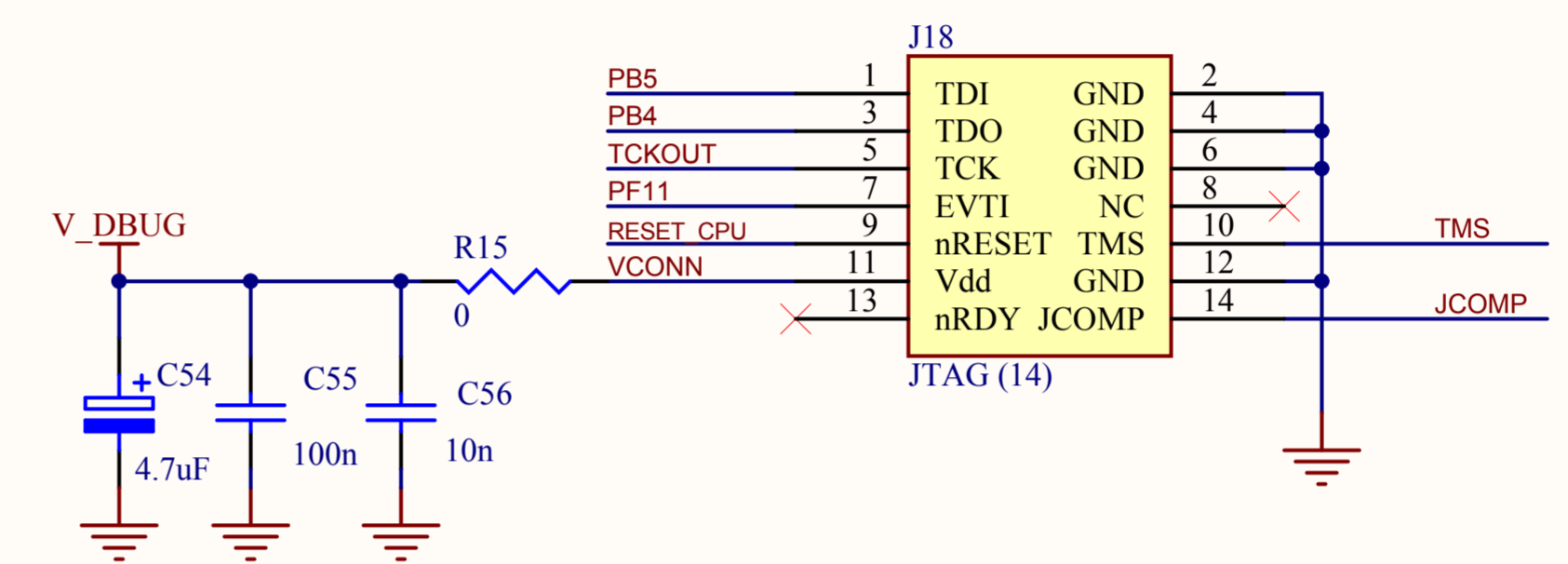
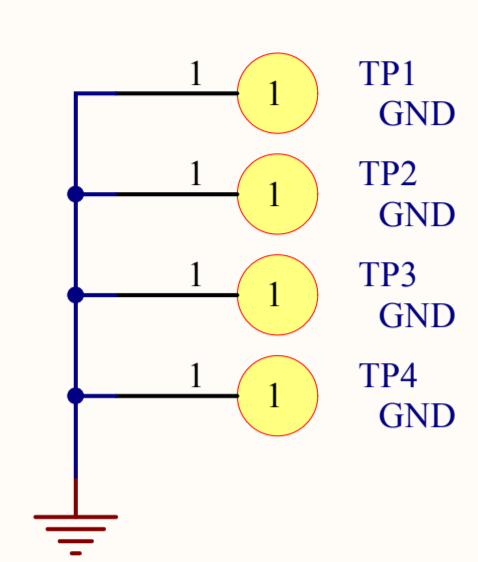
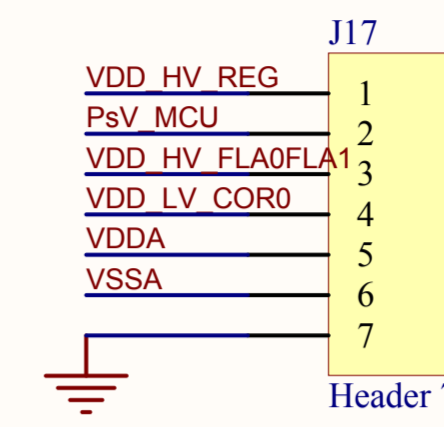
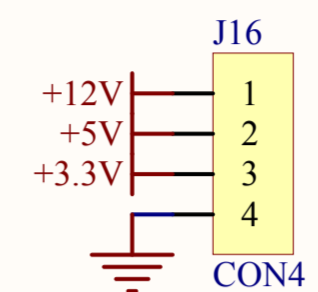


Title			SPC56ELADPT144S - CPU			
Size	A3	Number	ASD433A		Revision	1.00
Date:	3/1/2011		Sheet 1 of 2		File: C:\Documents and Settings\...\Sheet1.SchDoc	
Drawn By:						





TEST POINTS



	Title: SPC56ELADPT144S - Connectors		
	Size: A3	Number: ASD433A	Revision: 1.00
	Date: 3/1/2011	Sheet 2 of 2	
	File: C:\Documents and Settings\...\Sheet2.SchDo	Drawn By:	

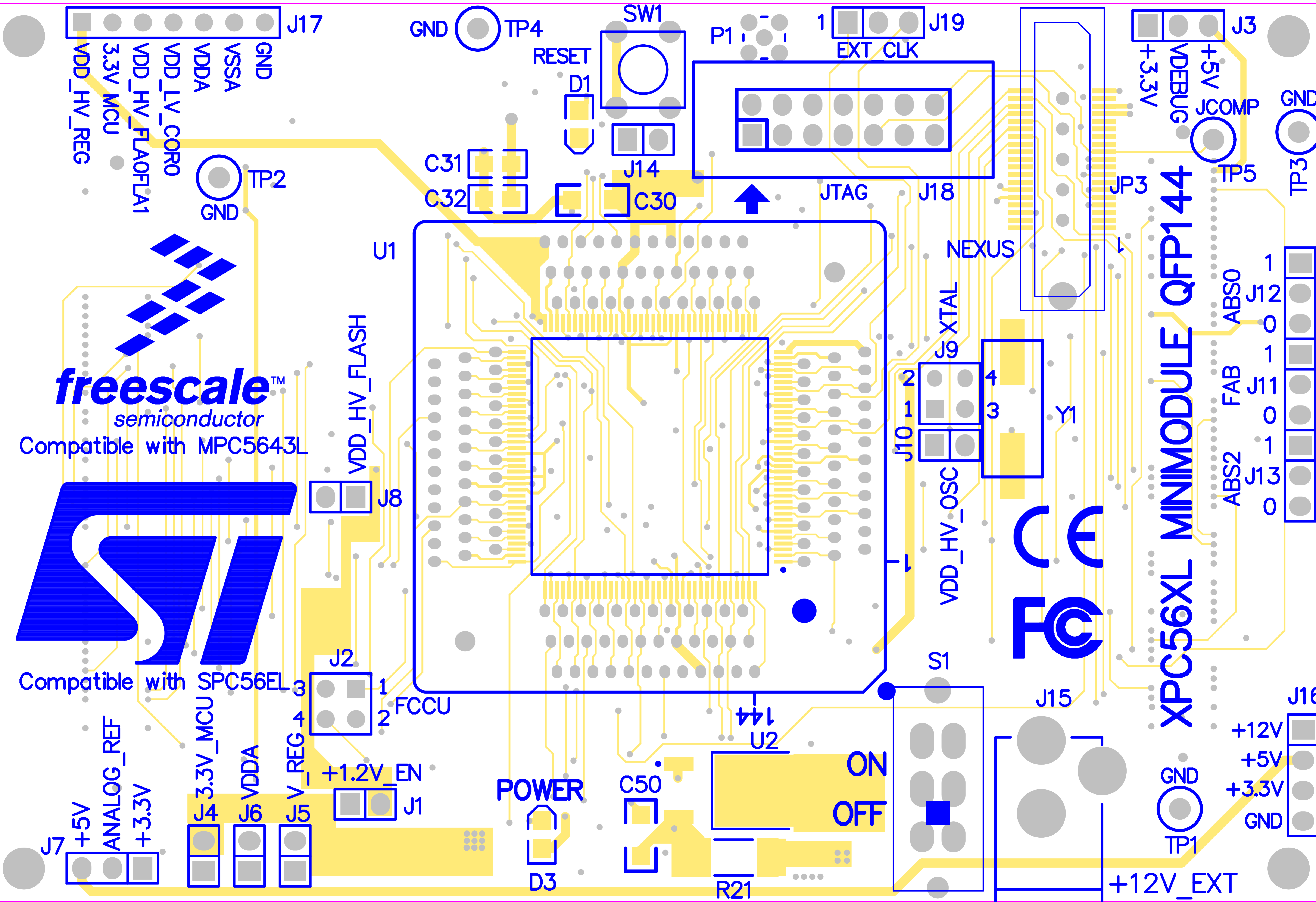
**freescale™**  
semiconductor

Compatible with MPC5643L



Compatible with SPC56EL

**XPC56XL MINIMODULE QFP144**



J17  
GND  
VSSA  
VDDA  
VDD\_LV\_CORO  
VDD\_HV\_FLAOFLA1  
3.3V MCU  
VDD\_HV\_REG

GND TP4  
RESET D1  
SW1  
P1  
EXT CLK  
J19

J3  
+5V  
+3.3V  
VDEBUG  
COMP  
TP5  
GND  
TP3

J7  
+5V  
ANALOG\_REF  
+3.3V  
3.3V MCU  
VDDA  
V\_V\_REG  
+1.2V EN  
J1

POWER  
D3  
C50  
R21

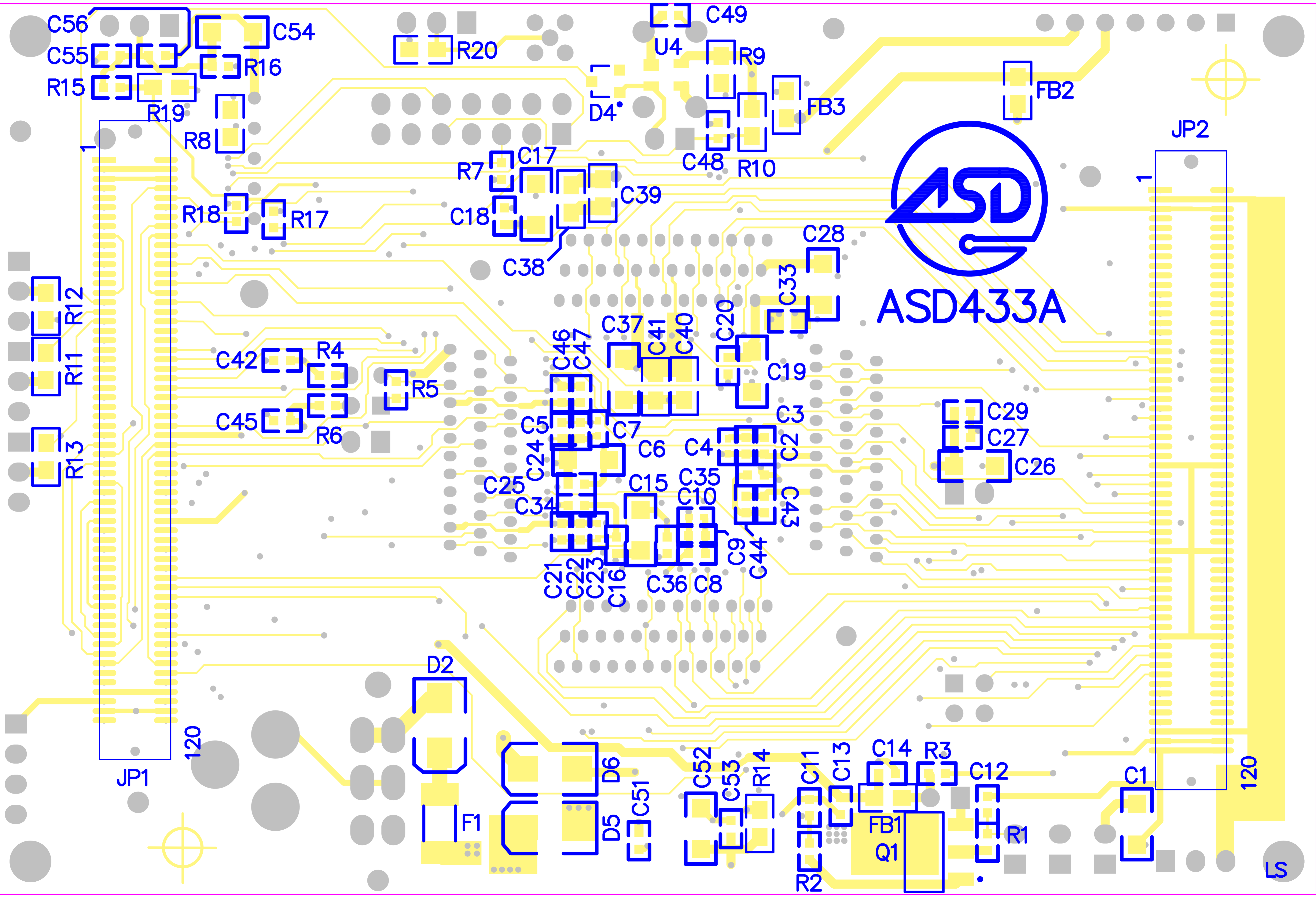
ON  
OFF

J15  
+12V\_EXT  
GND TP1  
+12V  
+5V  
+3.3V  
GND  
J16





ASD433A



C56  
C55  
R15

C54  
R16

R20

C49  
U4  
R9

FB2

JP2

R19  
R8

R7  
C17  
C18  
C39

C48  
R10  
FB3

R18  
R17

C38  
C37  
C41  
C40

C28  
C33

R11  
R12  
R13

C42  
R4  
C45  
R6

R5

C25  
C24  
C5  
C34  
C21  
C22  
C23  
C16  
C7  
C6  
C4  
C35  
C10  
C8  
C9  
C44  
C20  
C19  
C3  
C2  
C33  
C28

C29  
C27  
C26

JP1  
120

D2  
F1

D5  
D6  
C51

C52  
C53  
R14

R2  
C11  
C13  
FB1  
Q1  
C14  
R3  
C12  
R1

C1

120

LS