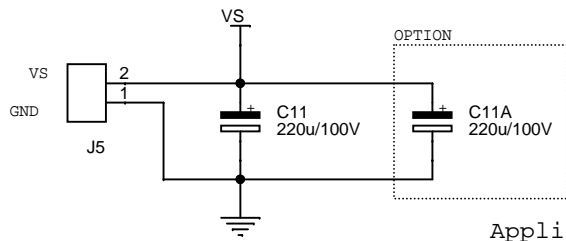
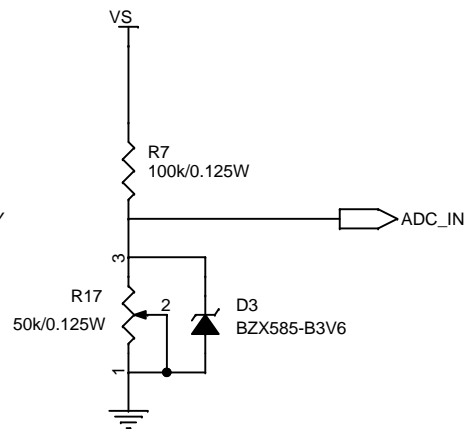
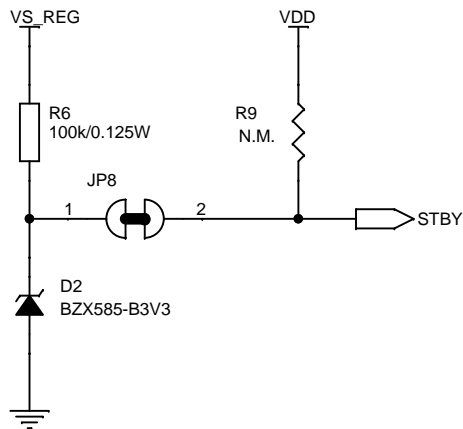
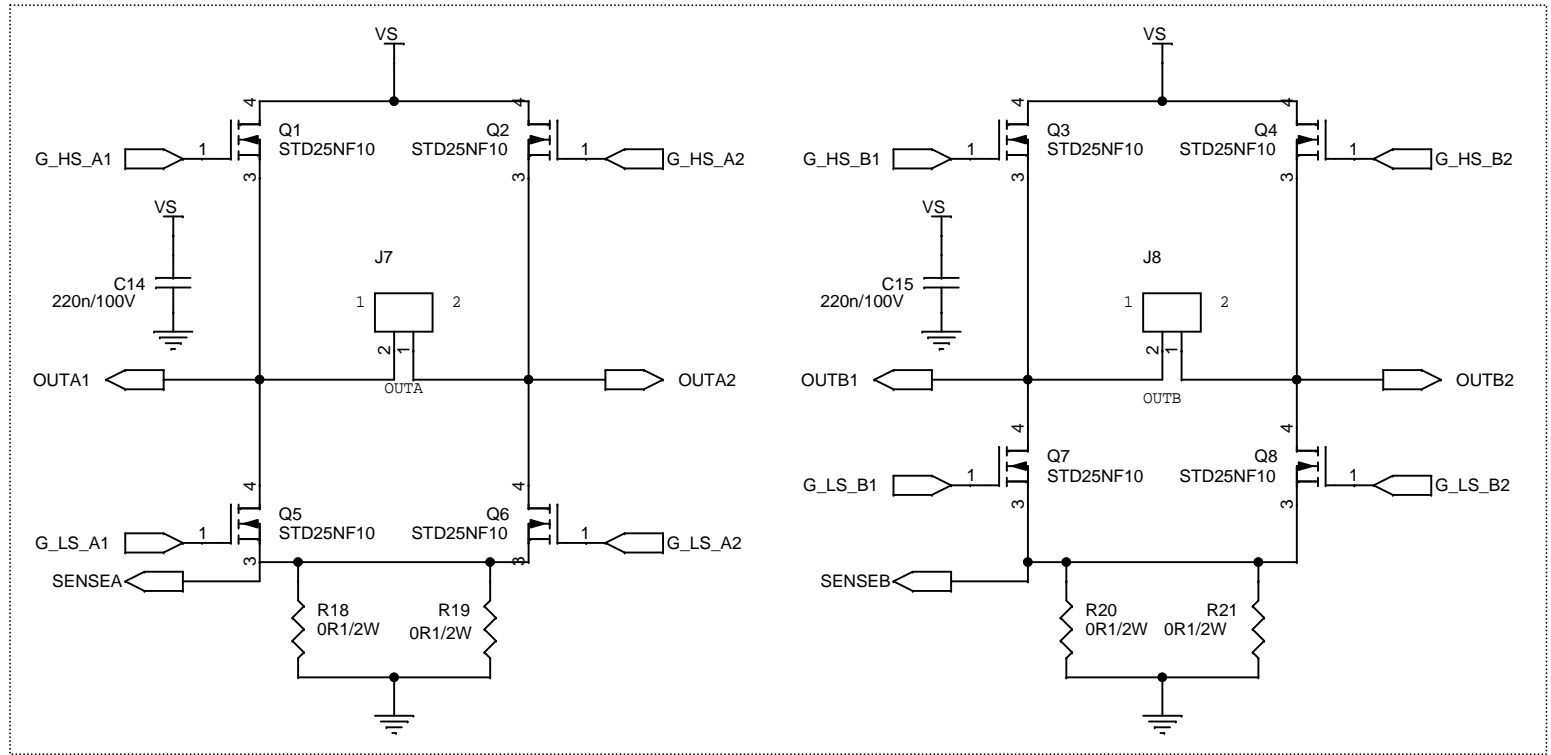
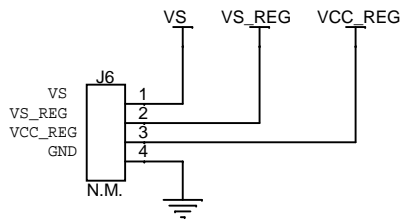


| | | |
|-------------------------------|-----------------------|--------------|
| Title | | |
| EVAL6482H Demonstration board | | |
| Size | Document Number | Rev |
| A4 | | 1.0 |
| Date: | Monday, July 30, 2012 | Sheet 1 of 2 |



Application reference



| | | |
|-------------------------------|----------------------------|--------------|
| Title | | |
| EVAL6482H Demonstration board | | |
| Size | Document Number | Rev |
| A4 | | 1.0 |
| Date: | Wednesday, August 08, 2012 | Sheet 2 of 2 |