

# STEVAL-IPE023V1

# Schematic diagram

Figure 1. TOP

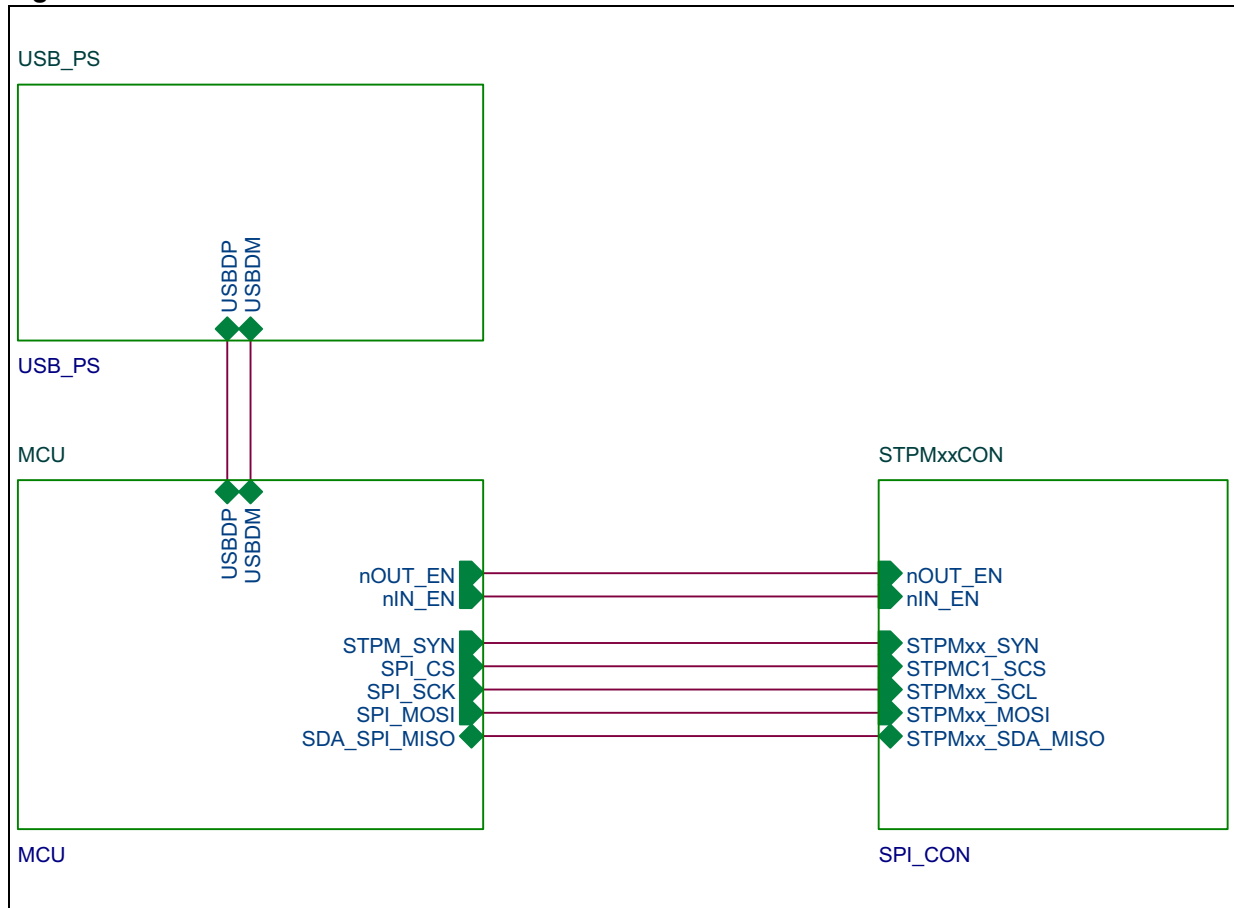
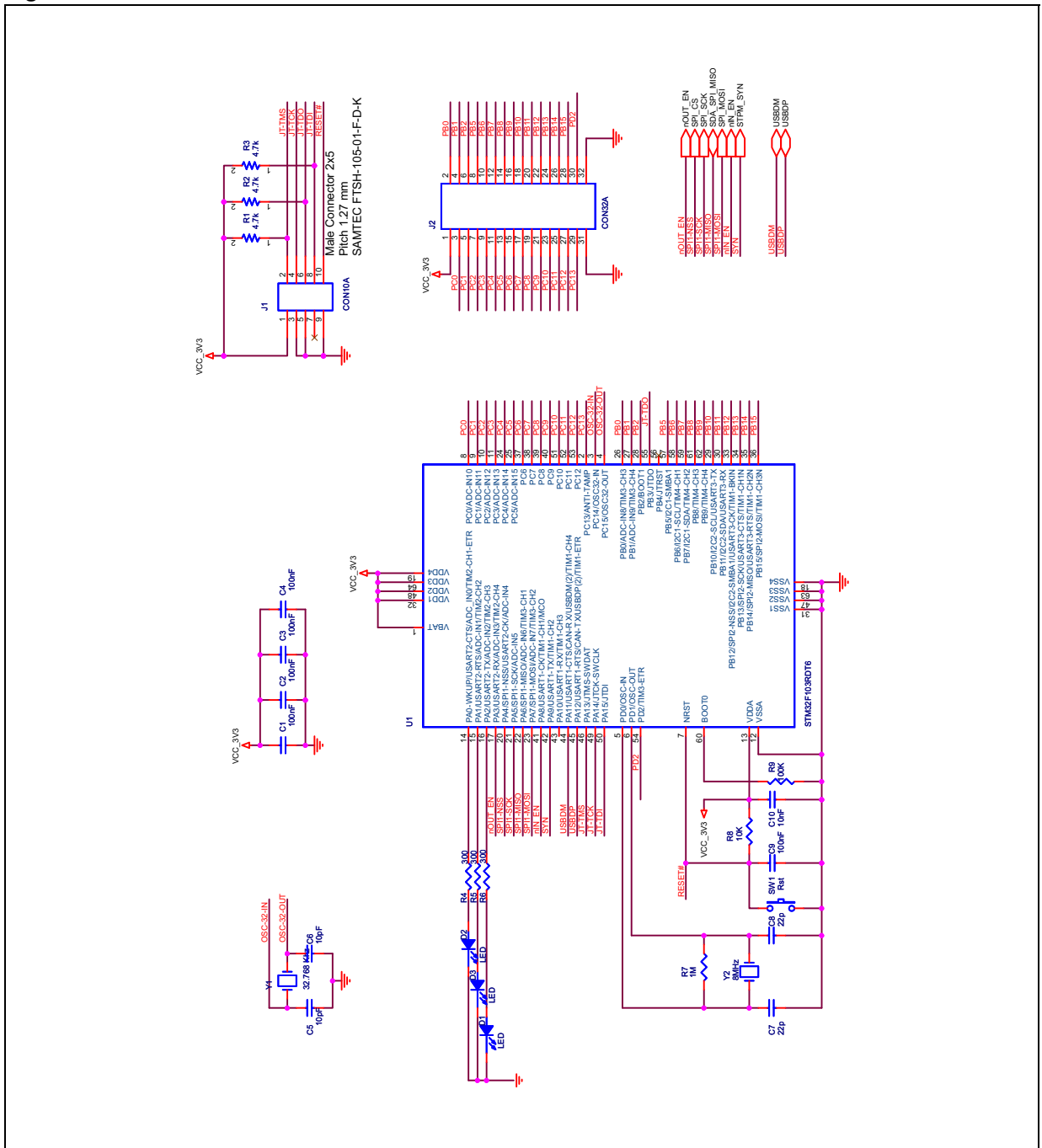


Figure 2. STM32F103



**Figure 3. STPMxxx connection**

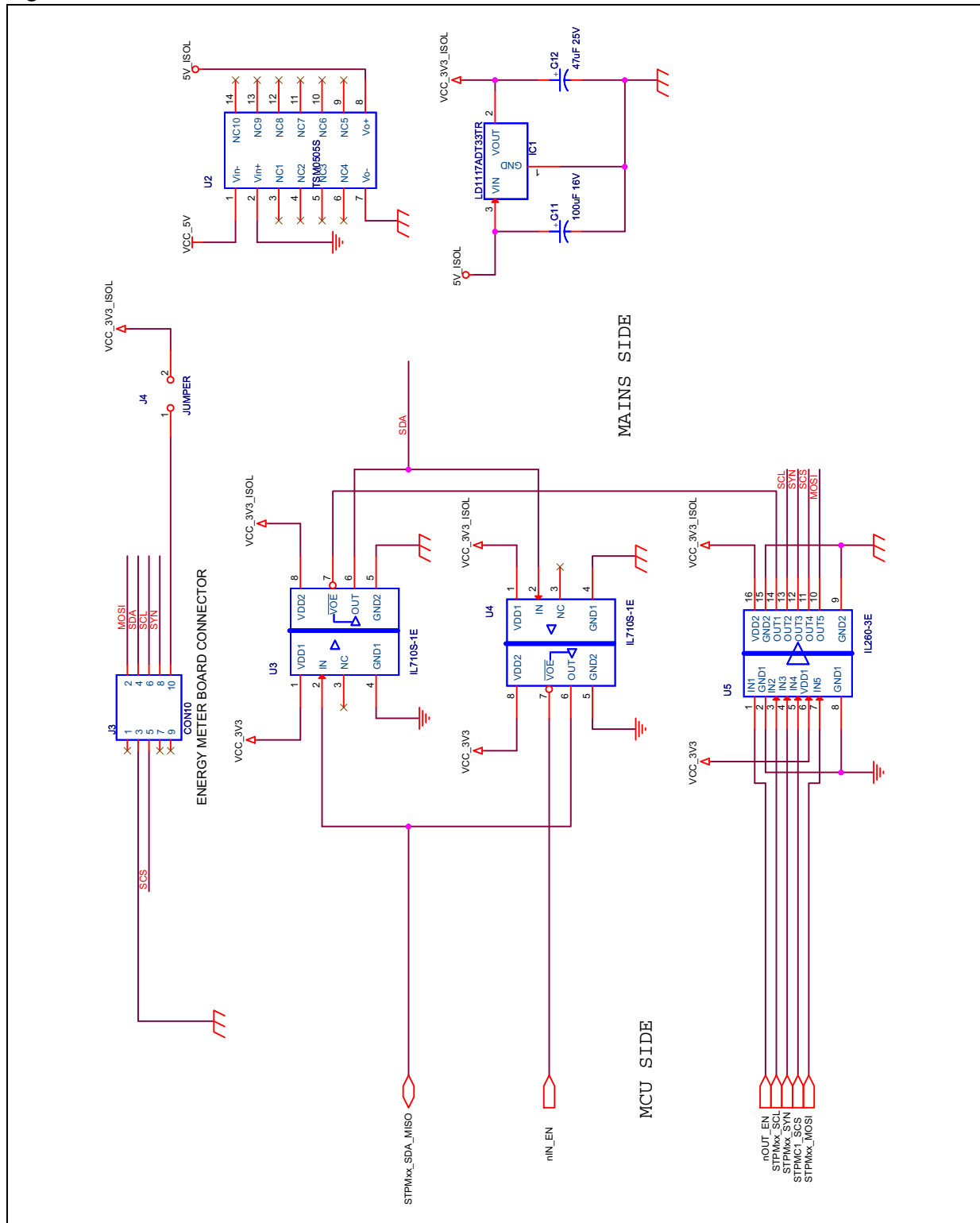


Figure 4. USB and power supply

