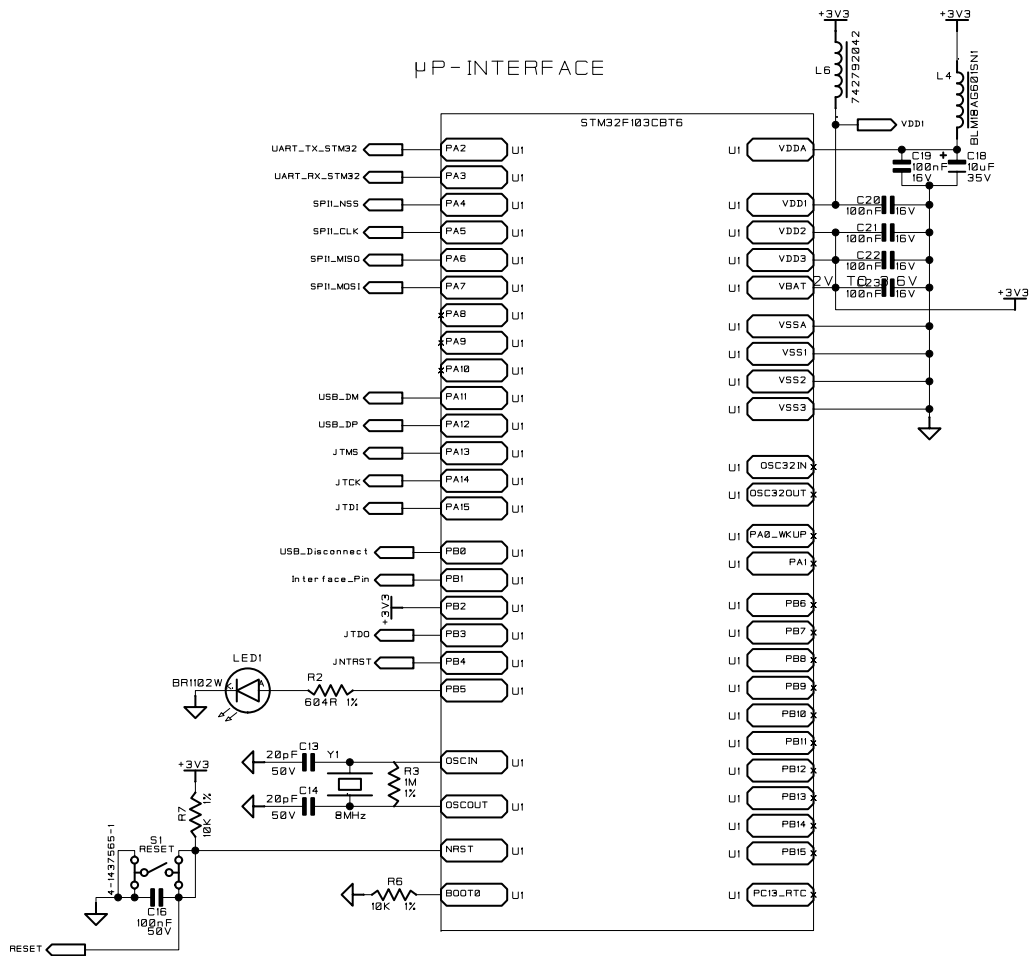
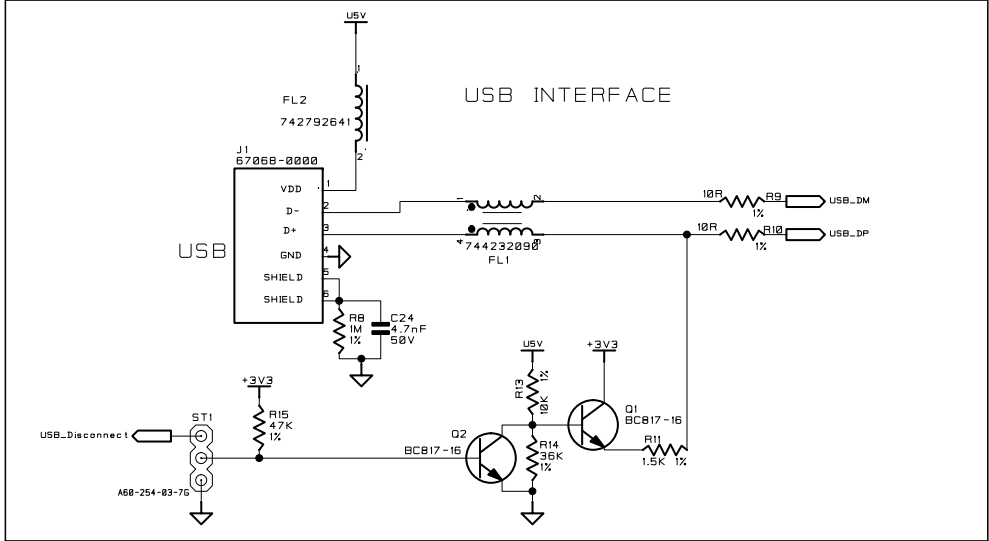


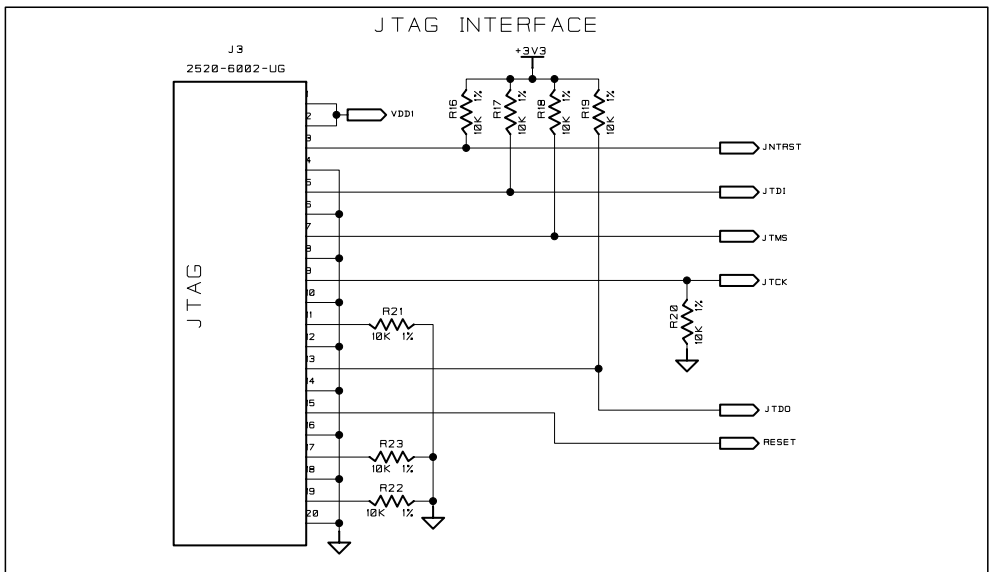
µP- INTERFACE



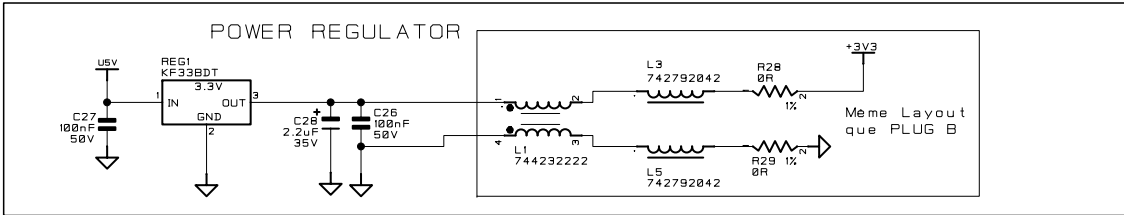
USB INTERFACE



JTAG INTERFACE



POWER REGULATOR



STMicroelectronics

| | | | | | |
|------|---------|------|----------|-------|------|
| REV0 | ORG-EDT | HDU | 25/05/12 | | |
| REV | MODIF | DESS | DATE | CONTR | DATE |

DESIGNER : HDU
DATE : 05/2012

SCALE

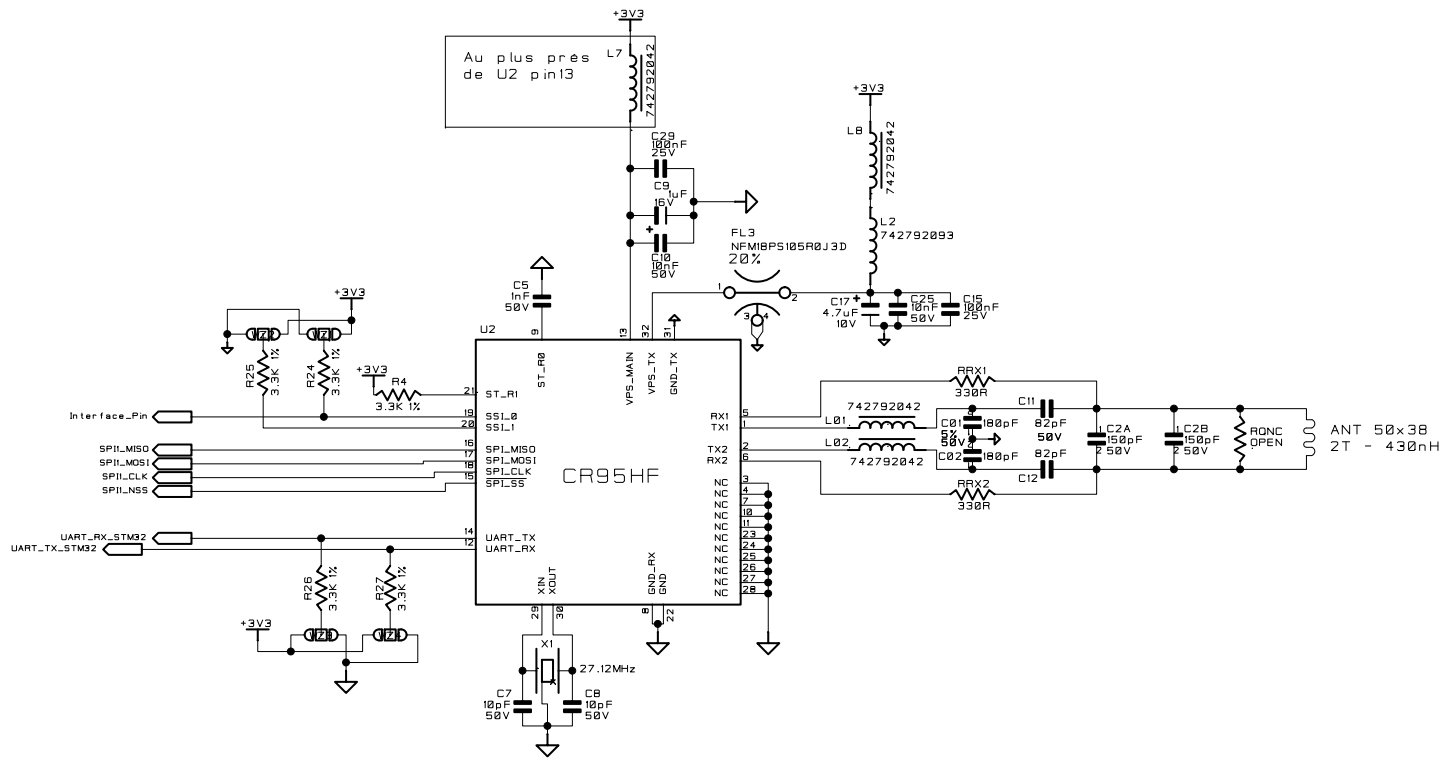
CONTROLLER :
DATE :


GEN. TOL. : ± 0.2

CARTE ANTENNE
CR95HF

SCHÉMATIQUE DRAWING

IND PAGE
1 / 2




® STMicroelectronics

| | | | | | |
|------|---------|------|----------|-------|------|
| REV0 | ORG-EDT | HDU | 25/05/12 | | |
| REV | MODIF | DESS | DATE | CONTR | DATE |

CARTE ANTENNE

CR95HF

DESIGNER : HDU
DATE : 05/2012

CONTROLLER :
DATE :

SCALE

GEN. TOL.
± 0.2

SCHEMATIC DRAWING

ASY 0019199

IND PAGE
2/2