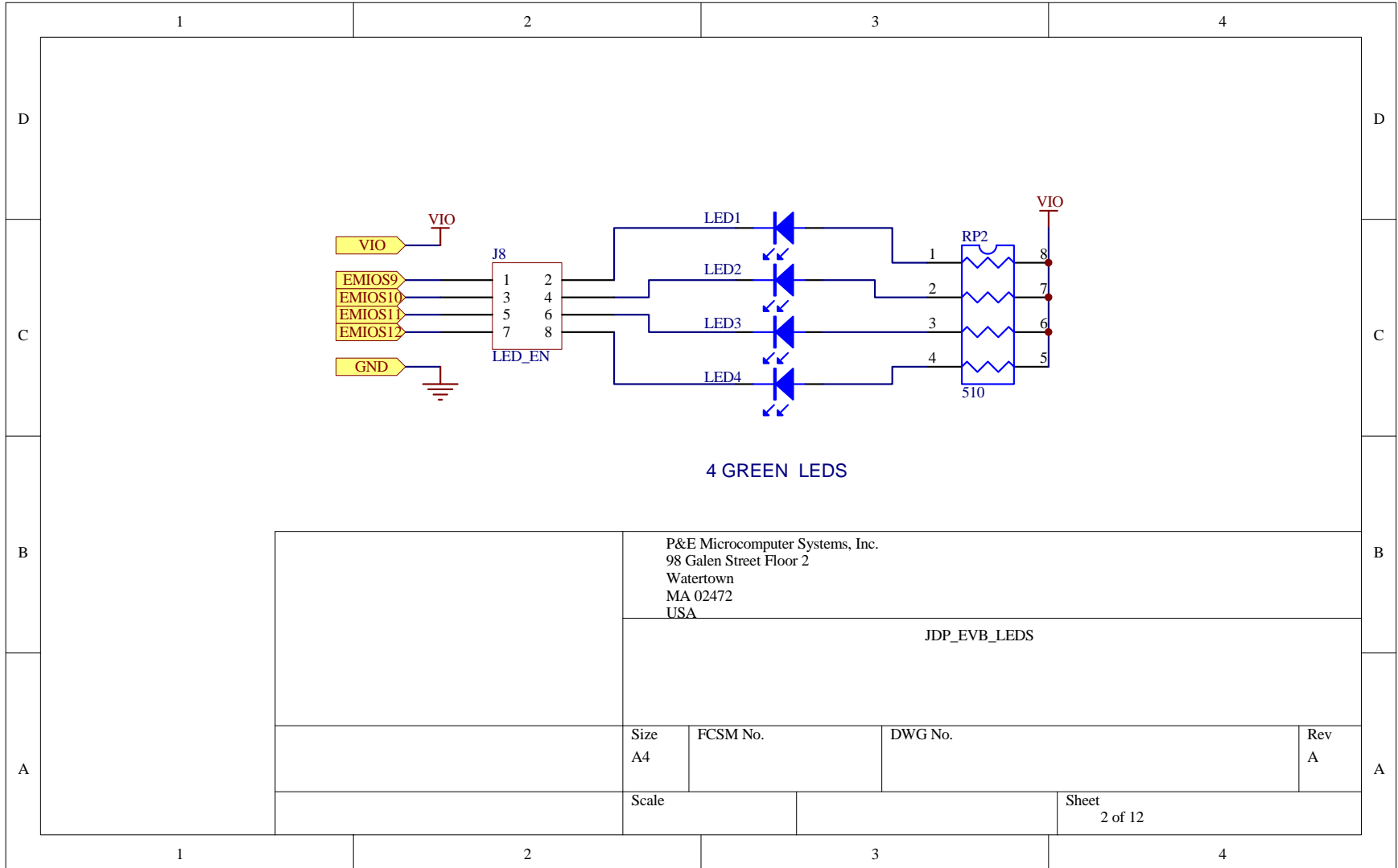


PAGE	NAME	SHEET
2	JDP_EVB	Sheet 1 of 12
3	JDP_EVB_LEDS	Sheet 2 of 12
4	JDP_EVB_BUTTONS	Sheet 3 of 12
5	JDP_EVB_POWER	Sheet 4 of 12
6	JDP_EVB_SCI	Sheet 5 of 12
7	JDP_EVB_LIN	Sheet 6 of 12
8	JDP_EVB_FlexRay	Sheet 7 of 12
9	JDP_EVB_EXPANSION	Sheet 8 of 12
10	JDP_EVB_MINI-MODULE	Sheet 9 of 12
11	JDP_EVB_CAN	Sheet 10 of 12
12	JDP_EVB_PIN_ARRAY	Sheet 11 of 12
13	JDP_EVB_TRIMMER	Sheet 12 of 12
14	JDP_EVB_TOP	
15	JDP_EVB_BOTTOM	

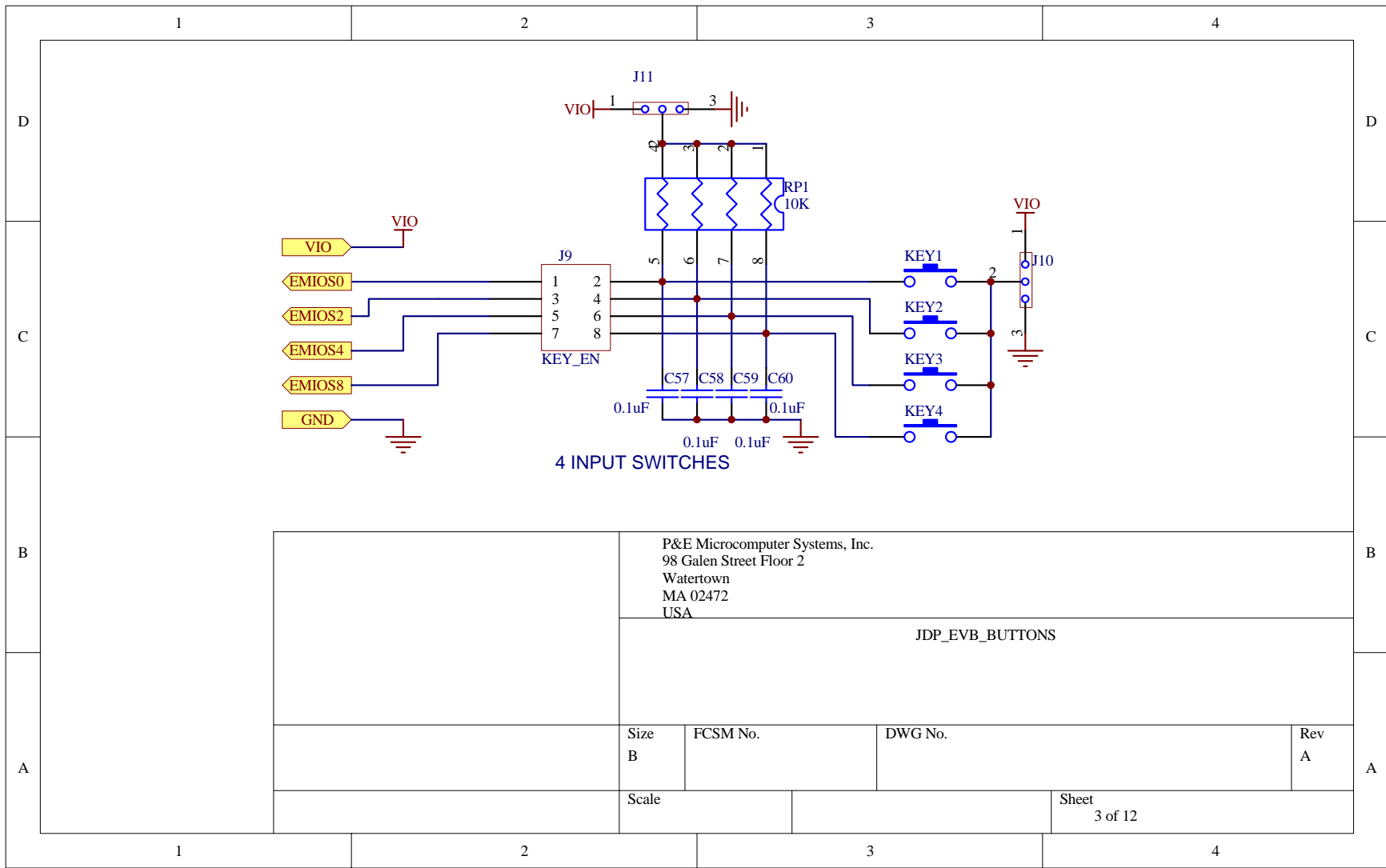


P&E Microcomputer Systems, Inc.
 98 Galen Street Floor 2
 Watertown
 MA 02472
 USA

JDP_EVB_LEDS

Size A4	FCSM No.	DWG No.	Rev A
------------	----------	---------	----------

Scale Sheet
2 of 12

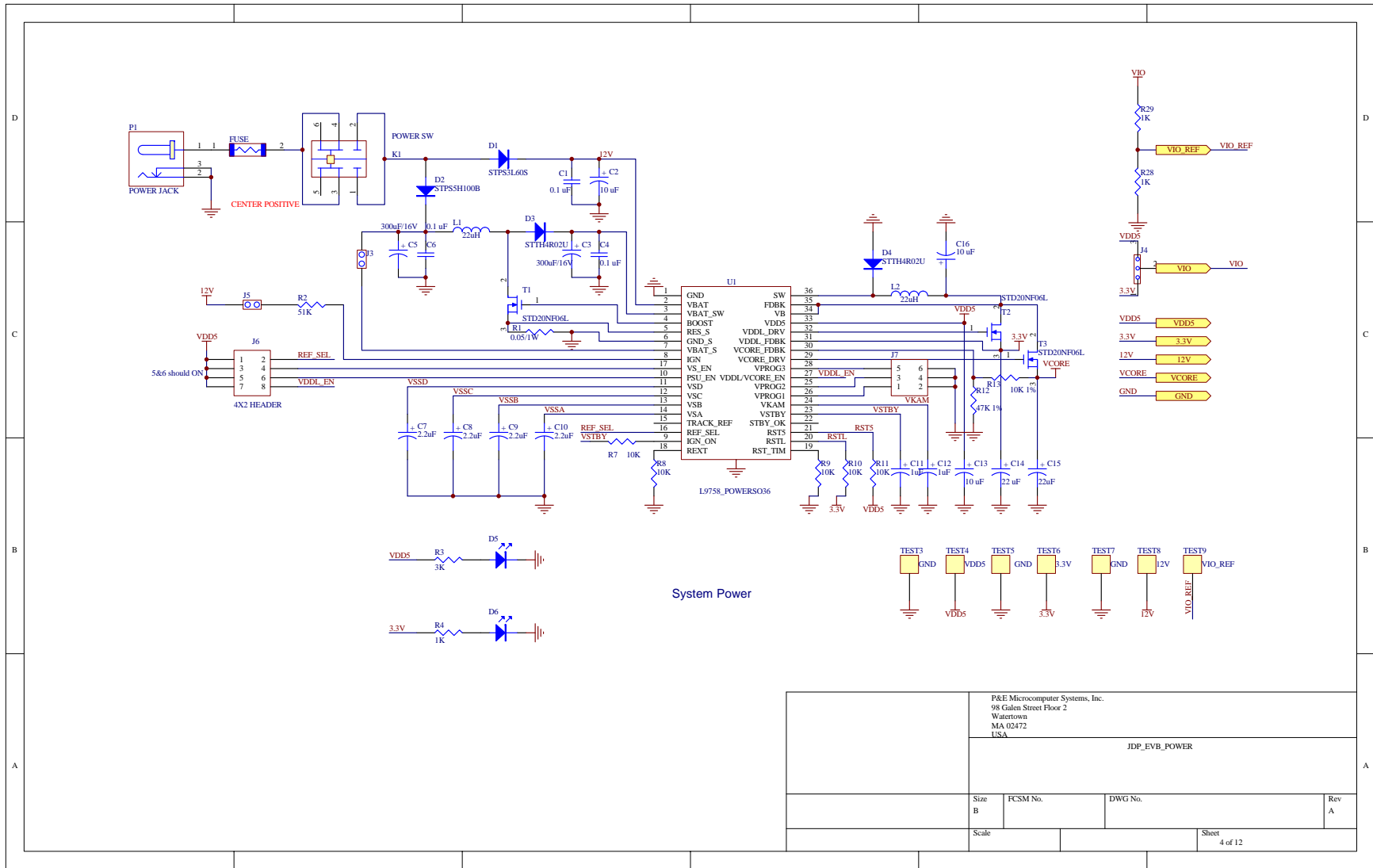


P&E Microcomputer Systems, Inc.
 98 Galen Street Floor 2
 Watertown
 MA 02472
 USA

JDP_EVB_BUTTONS

Size B	FCSM No.	DWG No.	Rev A
-----------	----------	---------	----------

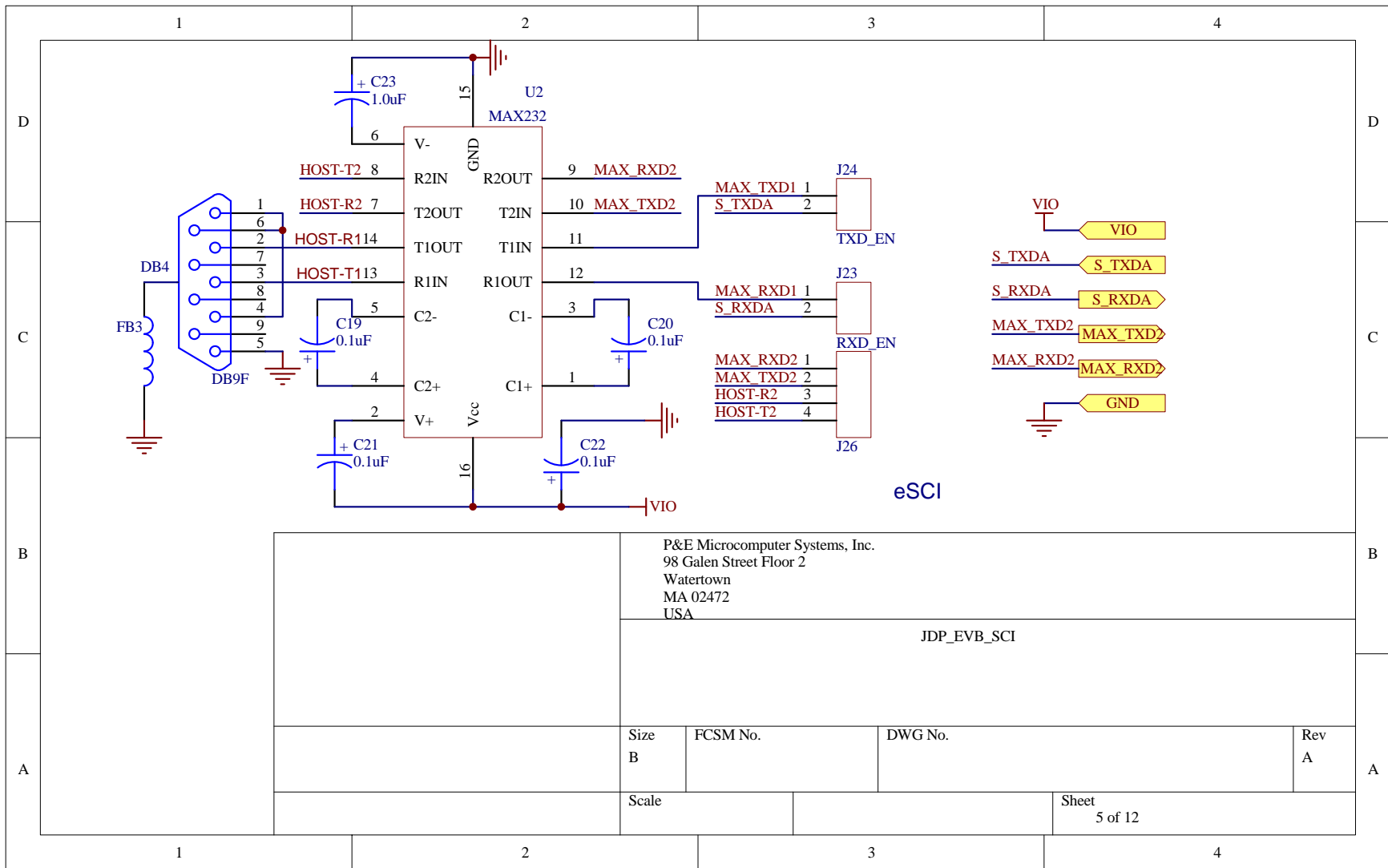
Scale Sheet
3 of 12



P&E Microcomputer Systems, Inc.
 98 Galen Street Floor 2
 Watertown,
 MA 02472
 USA

JDP_EVB_POWER

Size B	FCSM No.	DWG No.	Rev A
Scale		Sheet 4 of 12	

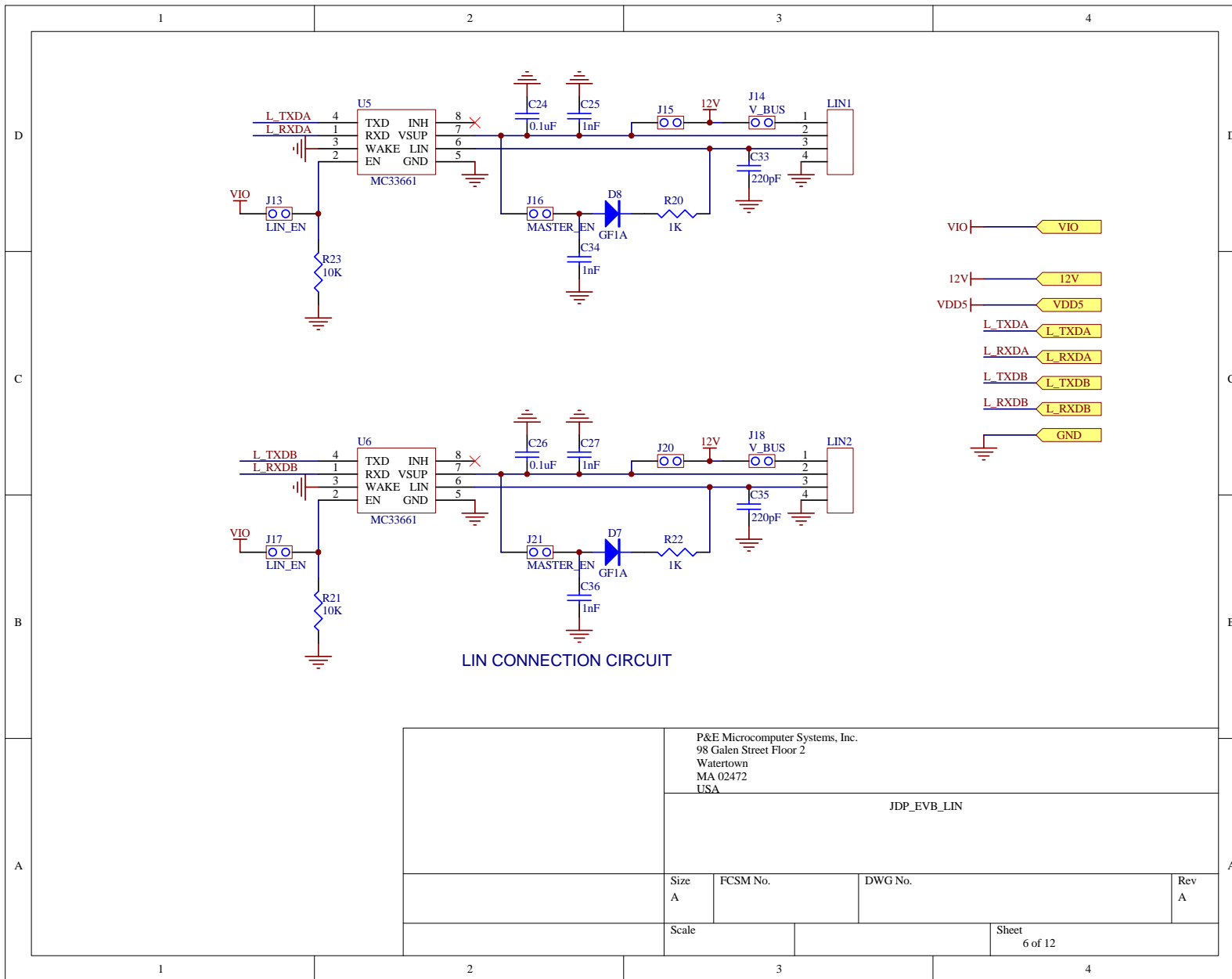


P&E Microcomputer Systems, Inc.
 98 Galen Street Floor 2
 Watertown
 MA 02472
 USA

JDP_EVB_SCI

Size B	FCSM No.	DWG No.	Rev A
-----------	----------	---------	----------

Scale	Sheet 5 of 12
-------	------------------

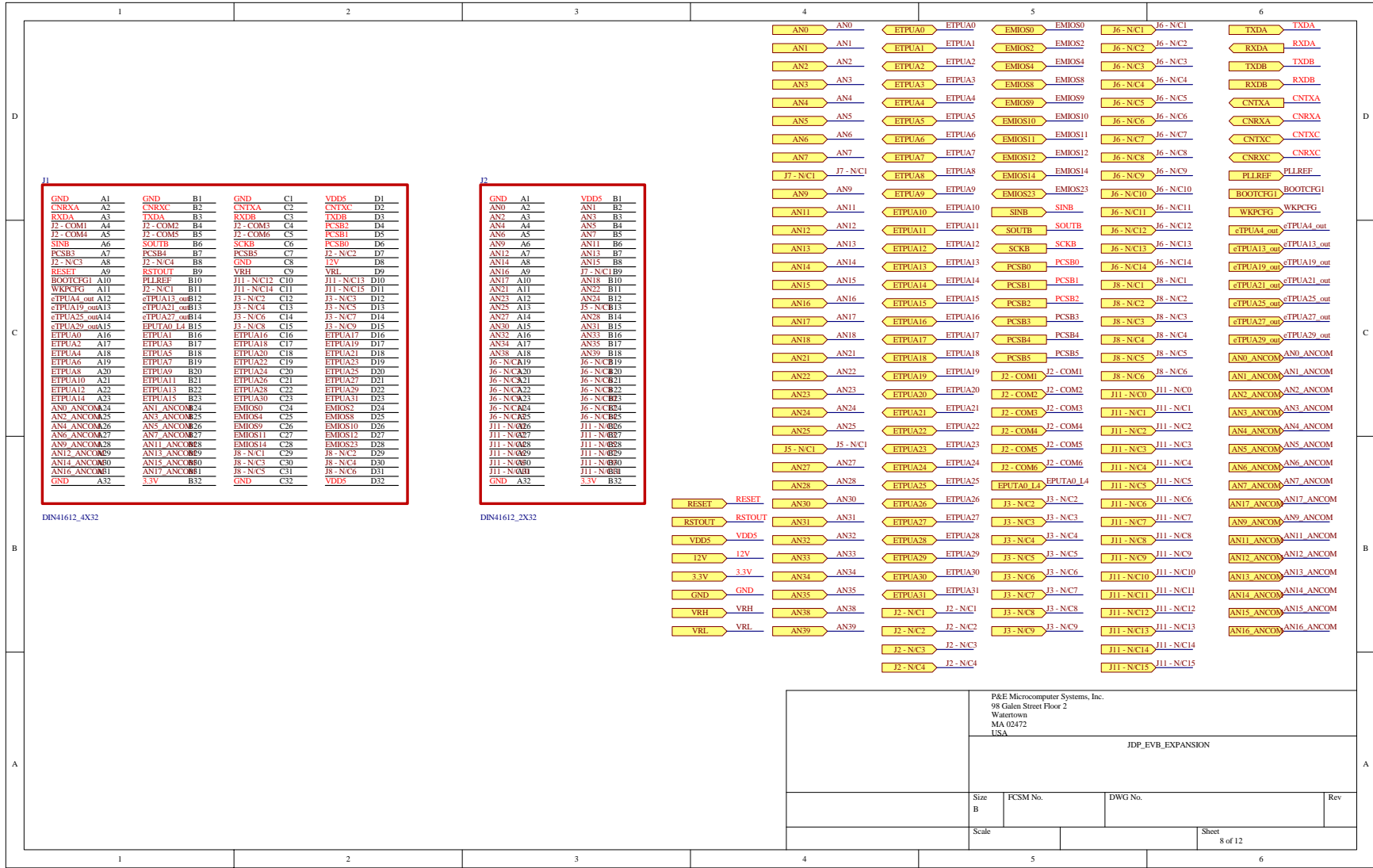


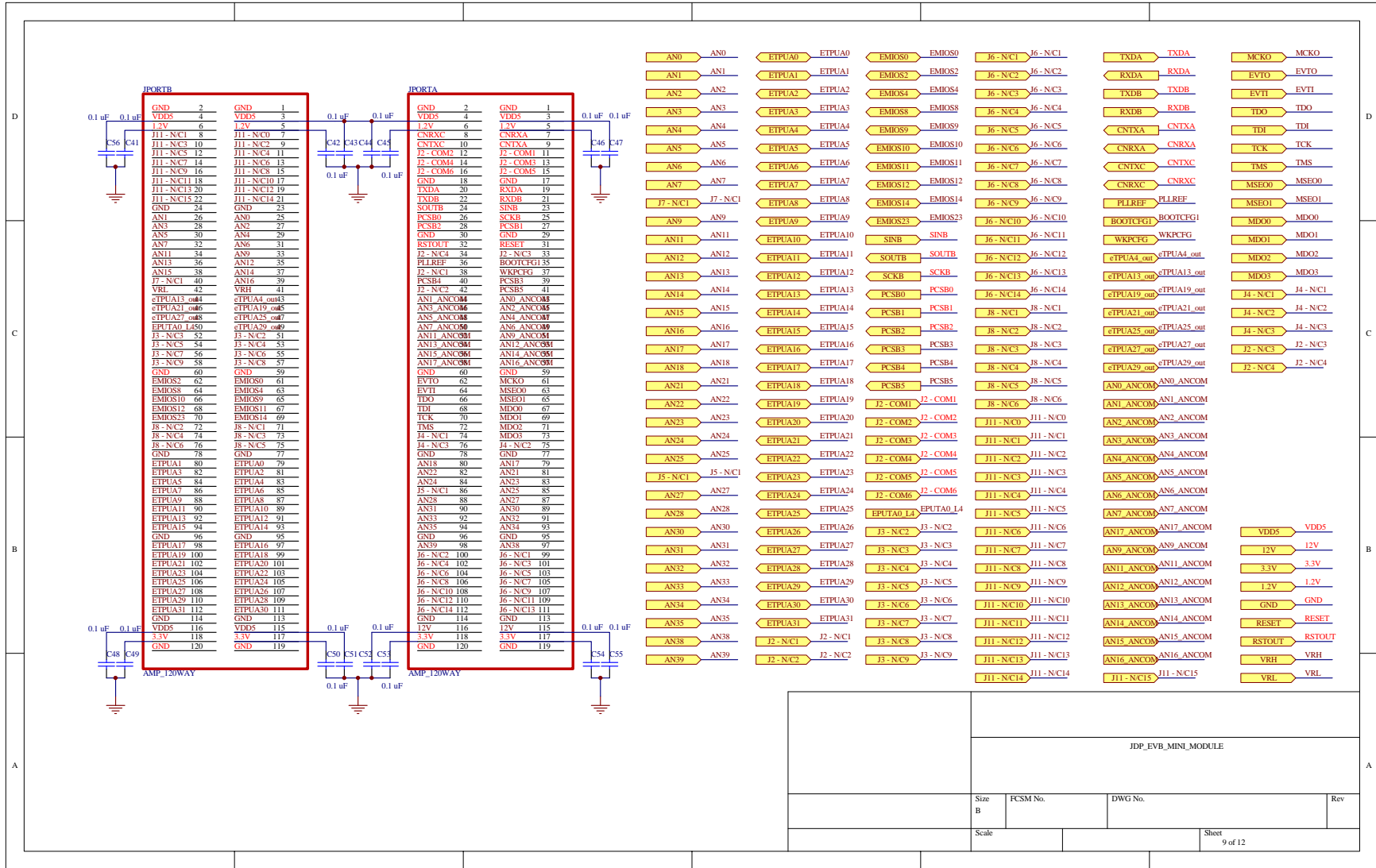
P&E Microcomputer Systems, Inc.
 98 Galen Street Floor 2
 Watertown
 MA 02472
 USA

JDP_EVB_LIN

Size A	FCSM No.	DWG No.	Rev A
-----------	----------	---------	----------

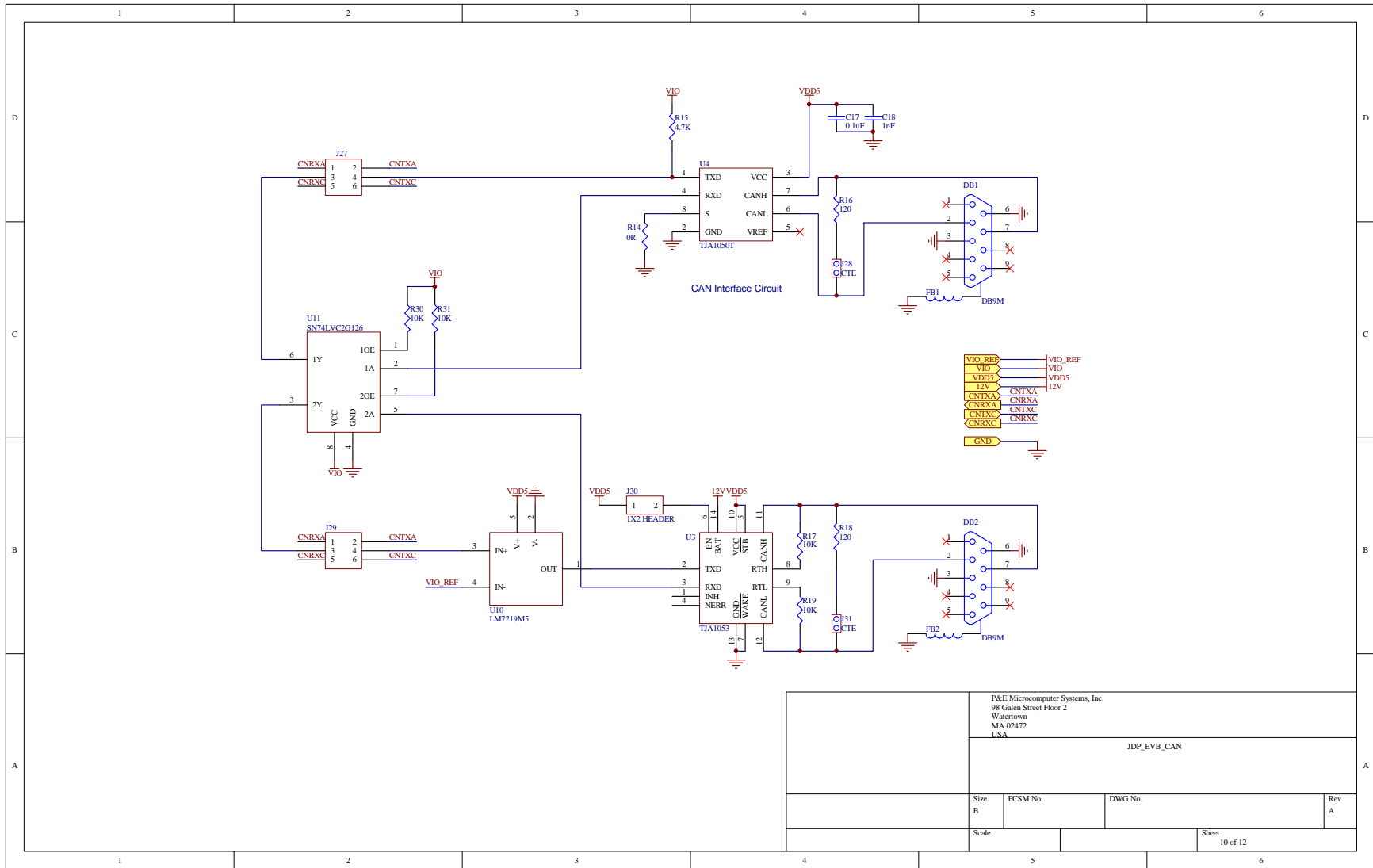
Scale	Sheet 6 of 12
-------	------------------





JDP-EVB_MINI_MODULE

Size B	FCSM No.	DWG No.	Rev
Scale			Sheet 9 of 12



P&E Microcomputer Systems, Inc.
 98 Galen Street Floor 2
 Watertown,
 MA 02472
 USA

JDP_EVB_CAN

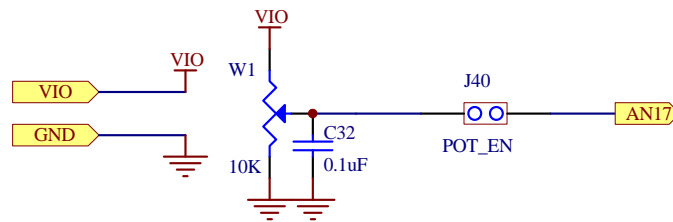
Size B	FCSM No.	DWG No.	Rev A
Scale		Sheet 10 of 12	



P&E Microcomputer Systems, Inc.
 98 Galen Street Floor 2
 Watertown
 MA 02472
 USA

JDP_EVB_PIN_ARRAY

Size B	FCSM No.	DWG No.	Rev
Scale			Sheet 11 of 12



ANALOG INPUT

P&E Microcomputer Systems, Inc.
 98 Galen Street Floor 2
 Watertown
 MA 02472
 USA

JDP_EVB_TRIMMER

Size
B

FCSM No.

DWG No.

Rev

Scale

Sheet
12 of 12

XPC56XX EVB MOTHERBOARD Rev. B

