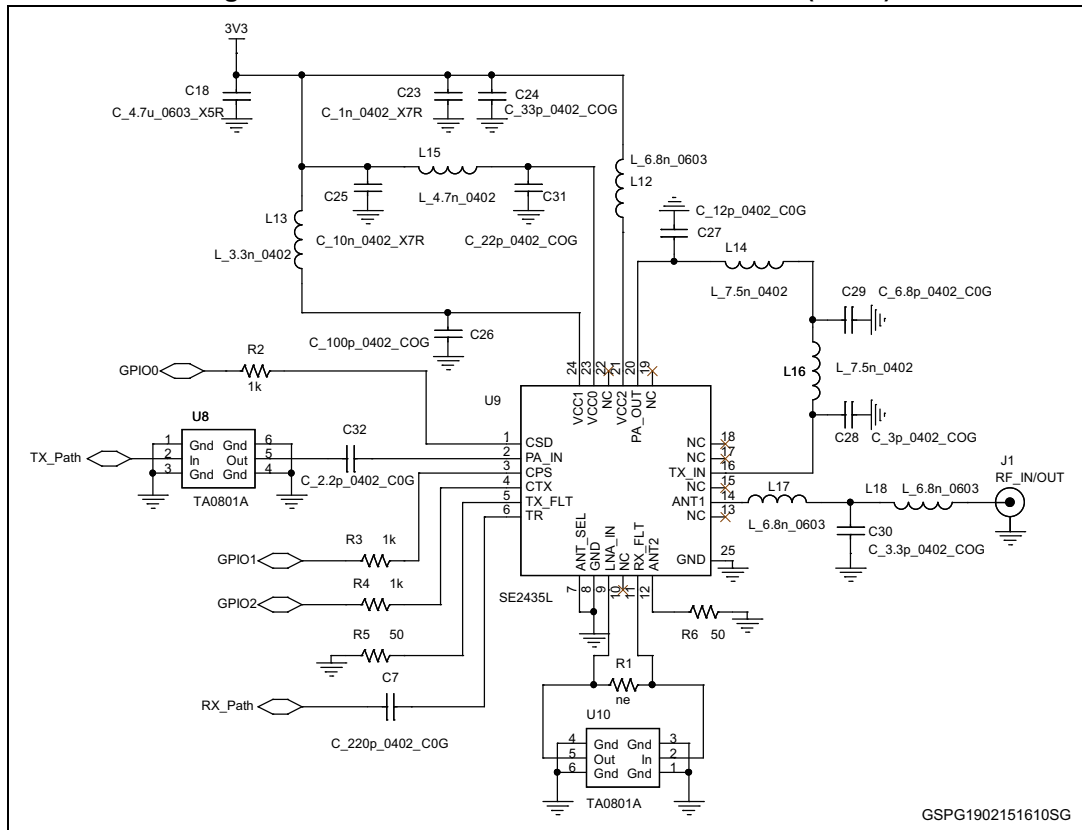




Figure 2. STEVAL-IKR001V8D circuit schematic (2 of 2)



GSPG1902151610SG