

STEVAL-IEG001V2

Schematic diagrams

Figure 1. μ SD connections

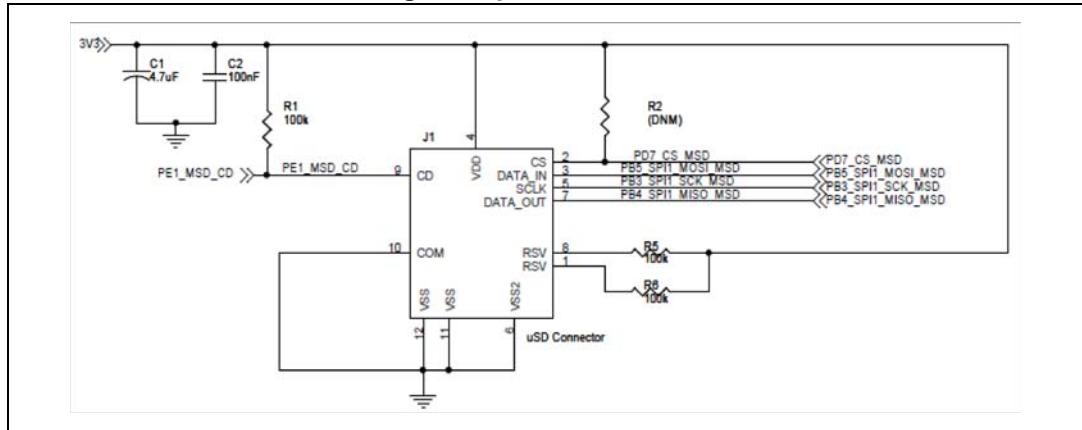


Figure 2. IrDA transceiver

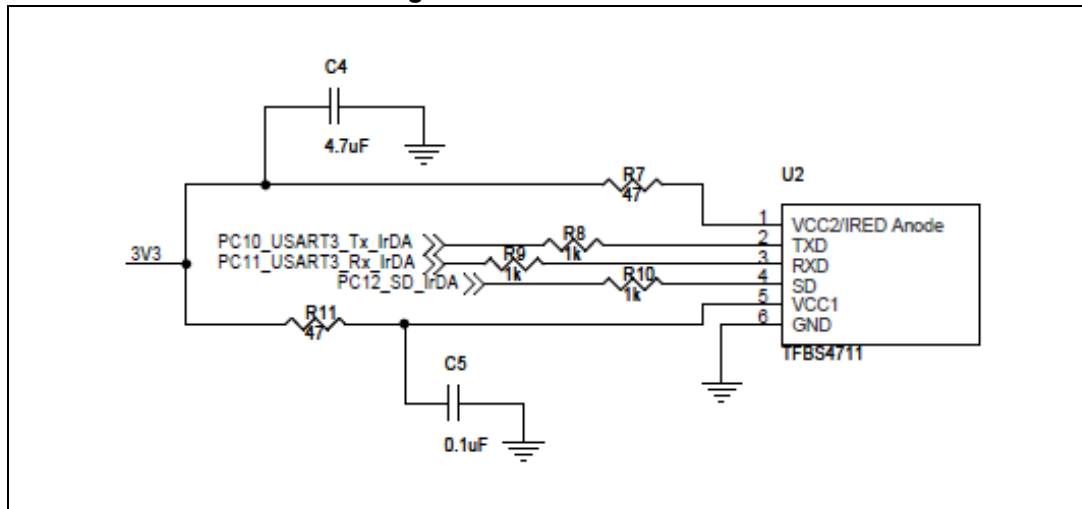


Figure 3. EEPROM section

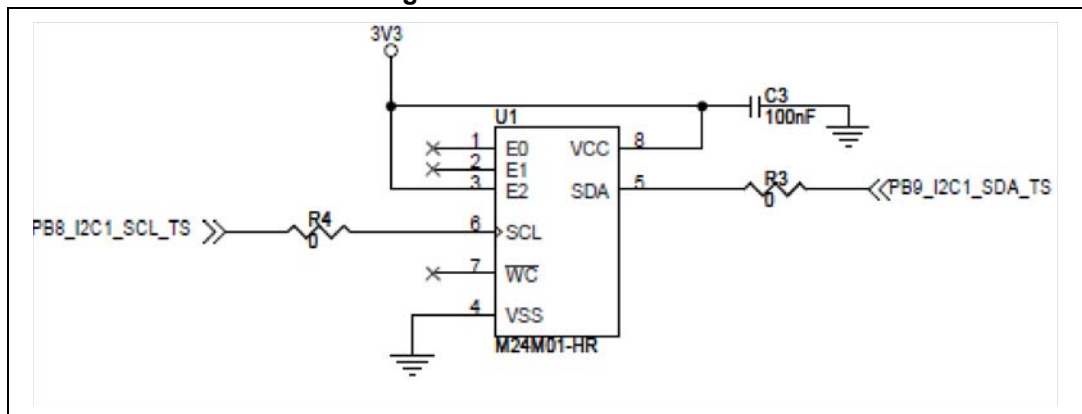


Figure 4. LCD connector on VTS motherboard

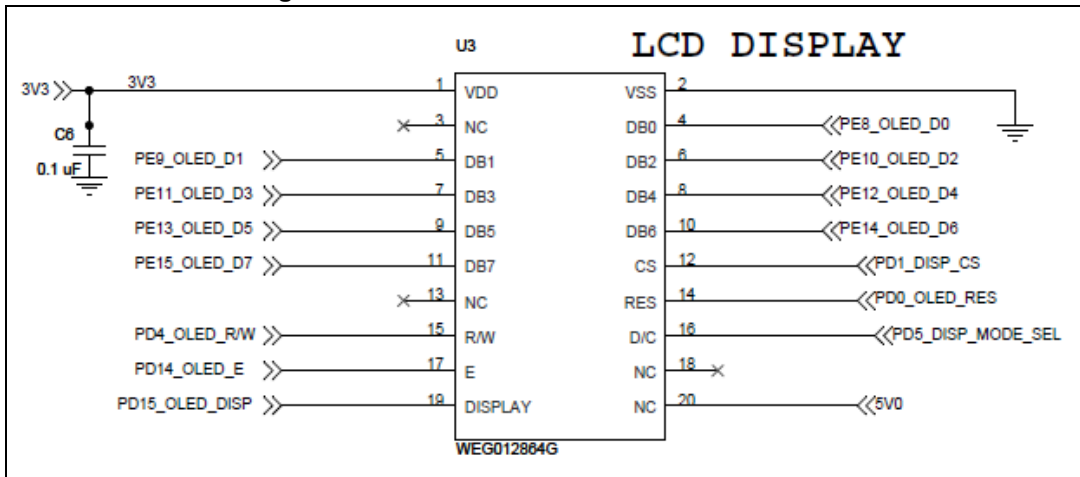


Figure 5. Graphical LCD daughter card

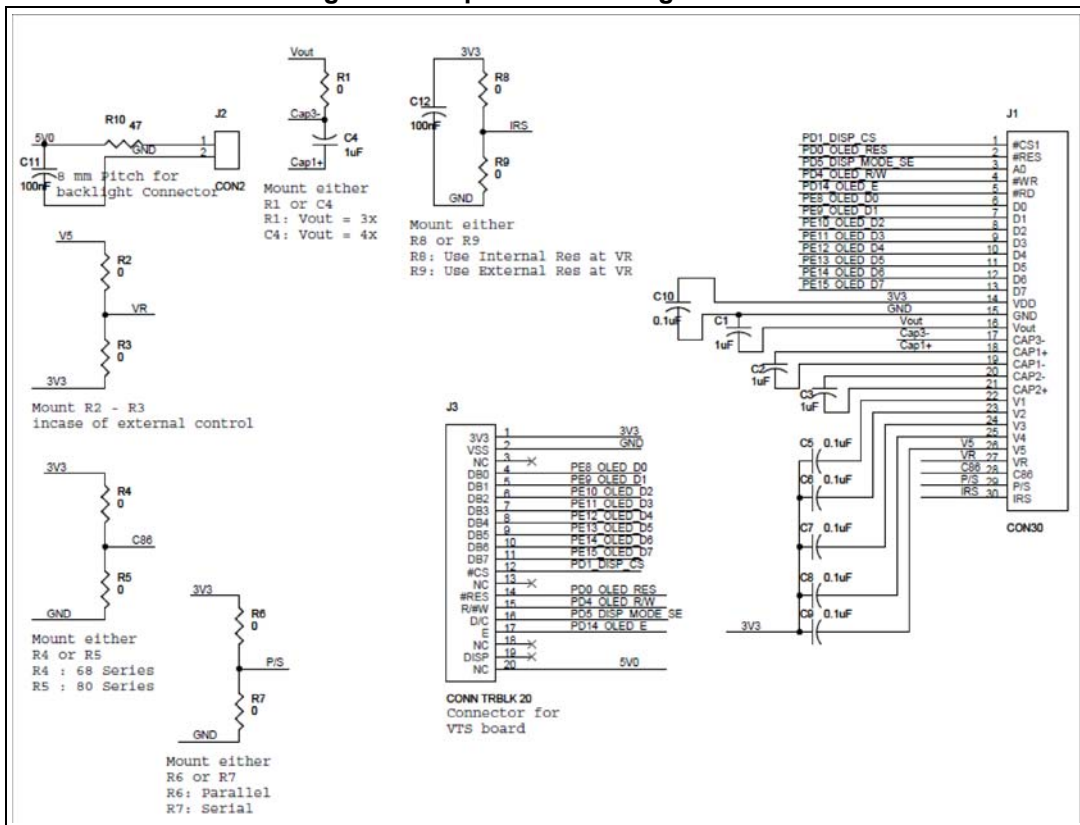


Figure 6. GPS module interface

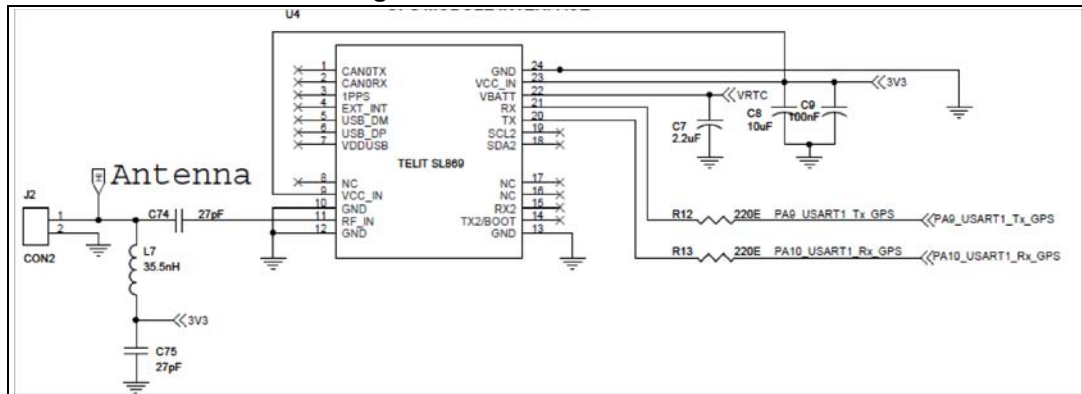


Figure 7. GSM

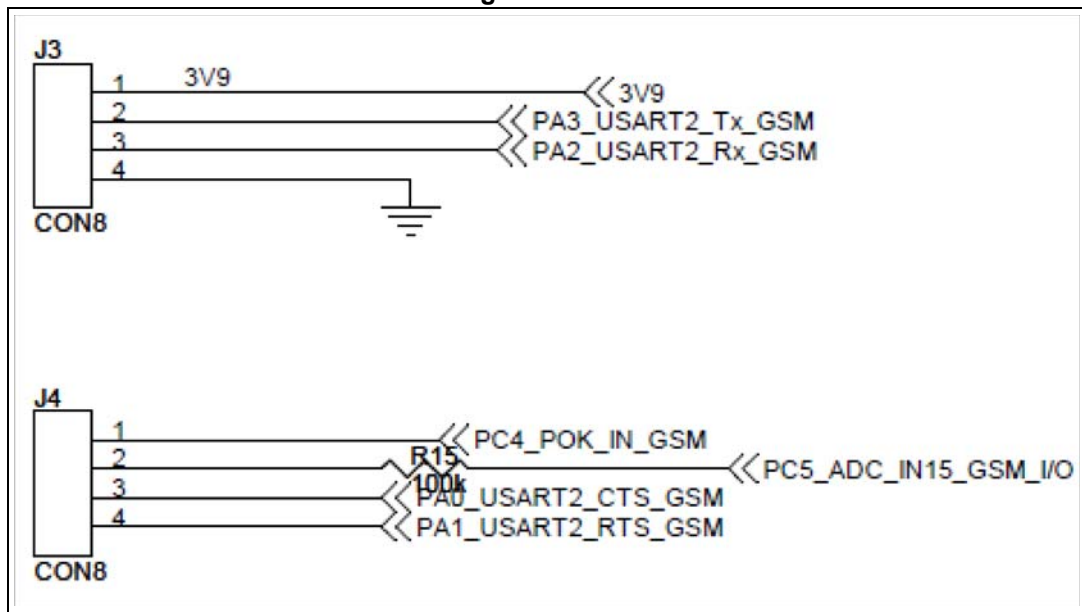


Figure 8. GSM module interface

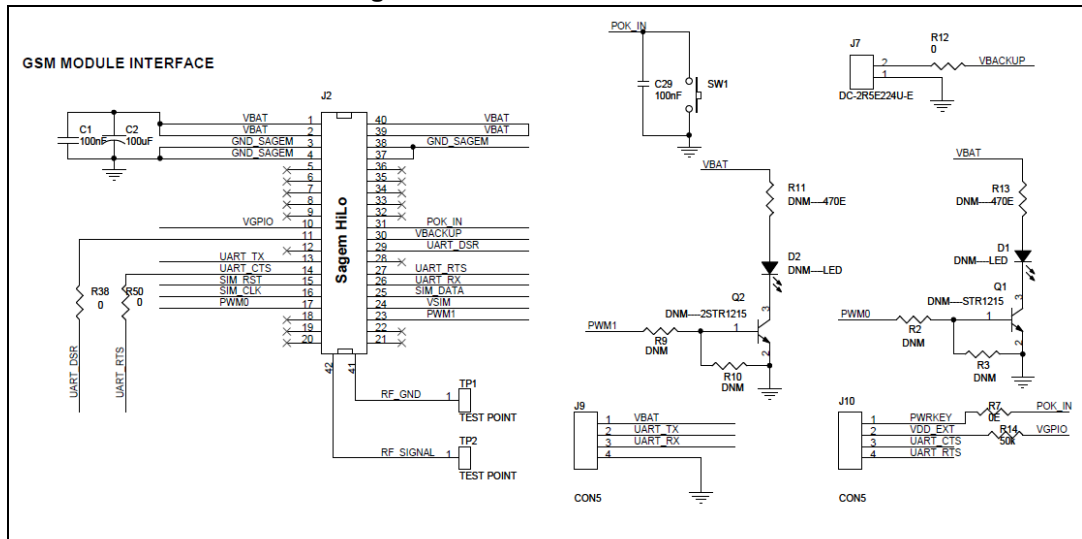


Figure 9. SIM card section

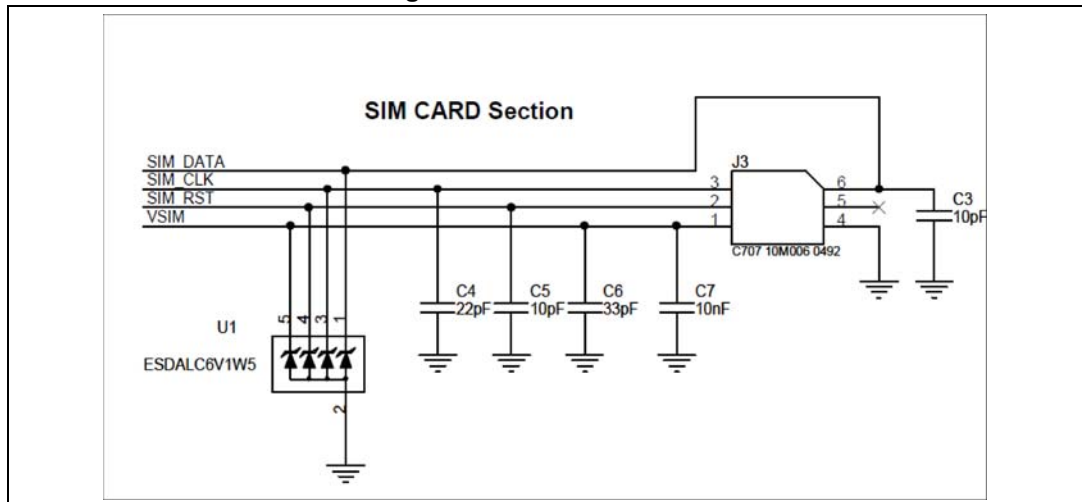


Figure 10. Compatibility between STM32F10x and STM32F20x

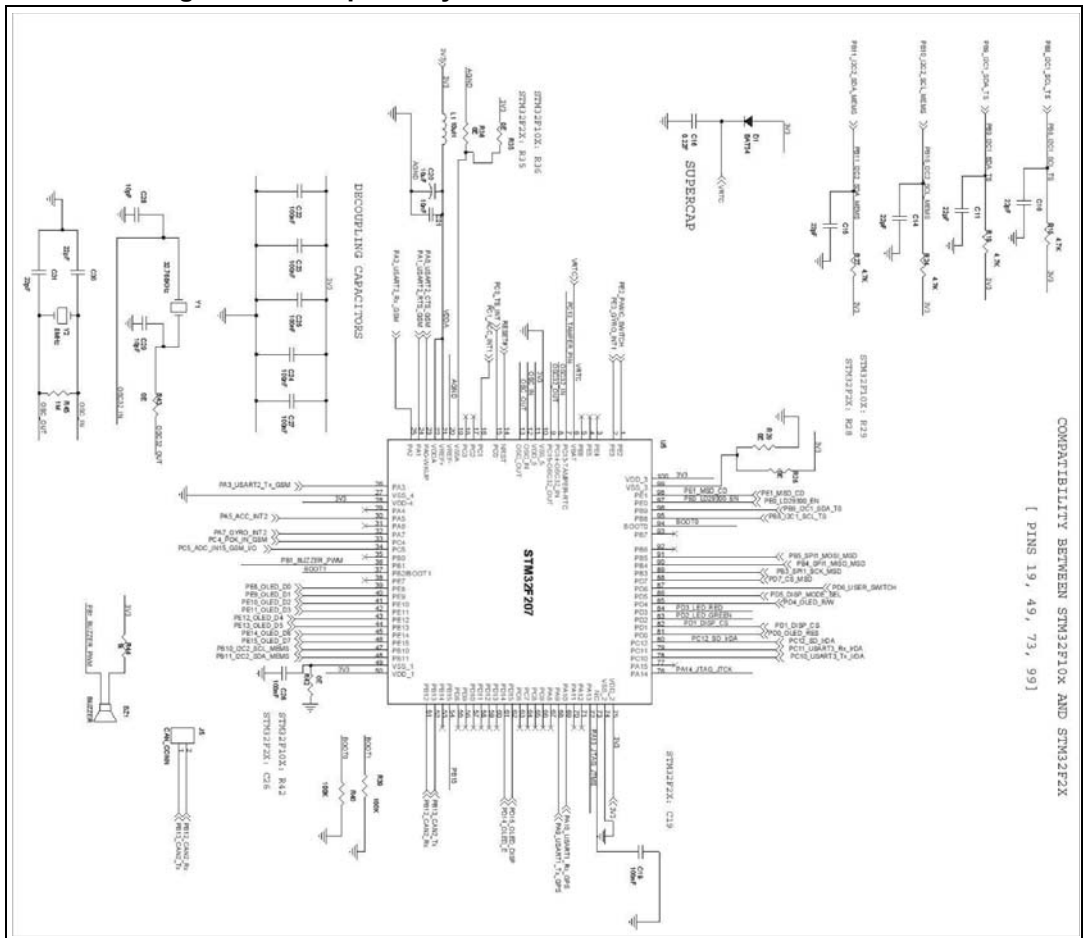


Figure 11. Switch section

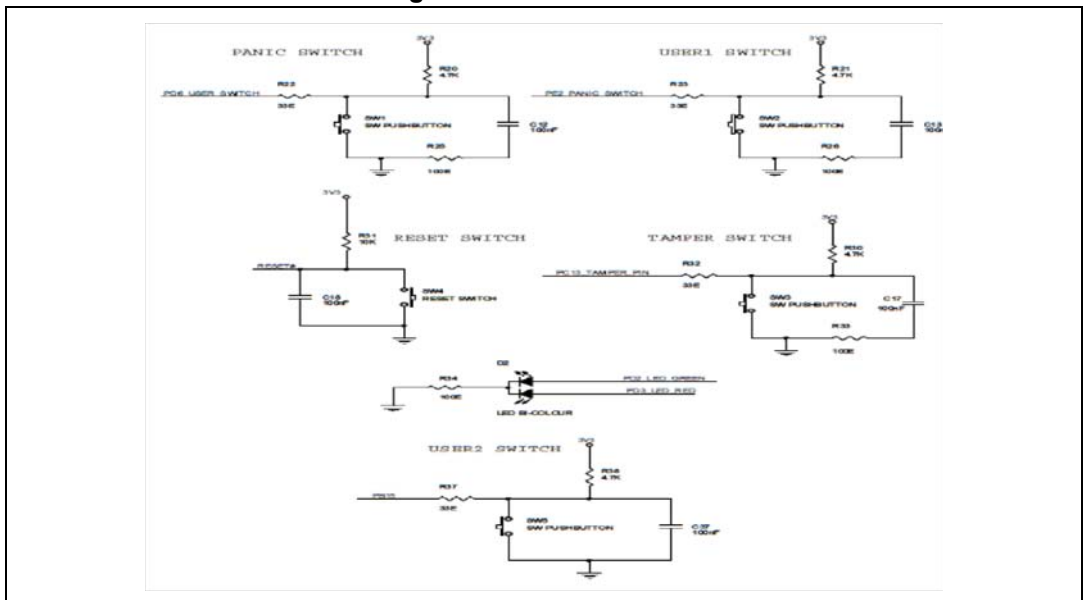


Figure 12. SWD section

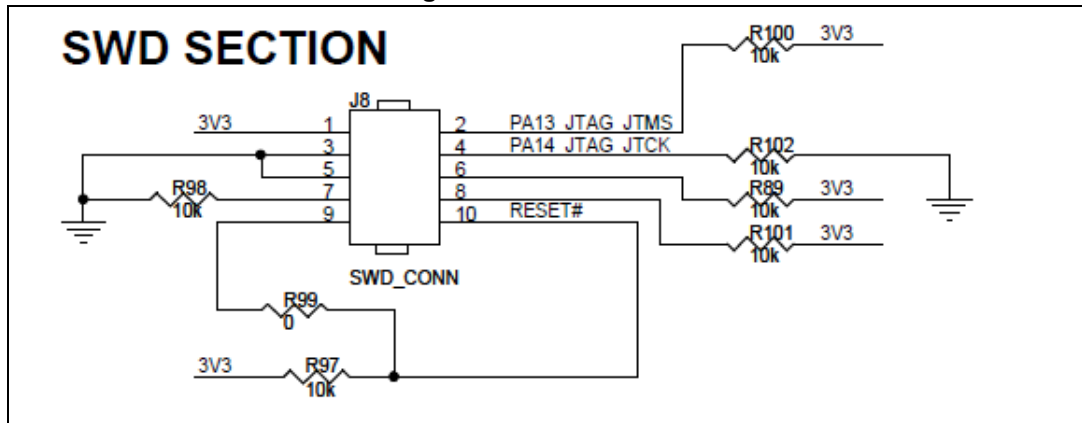


Figure 13. 5 V regulator

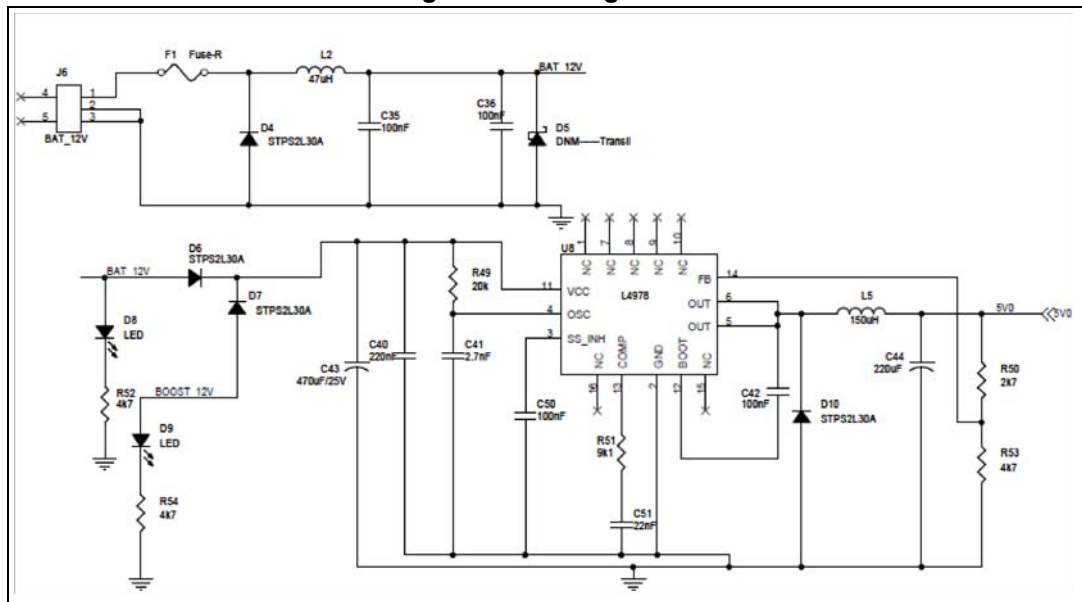


Figure 14. L6924D battery charger

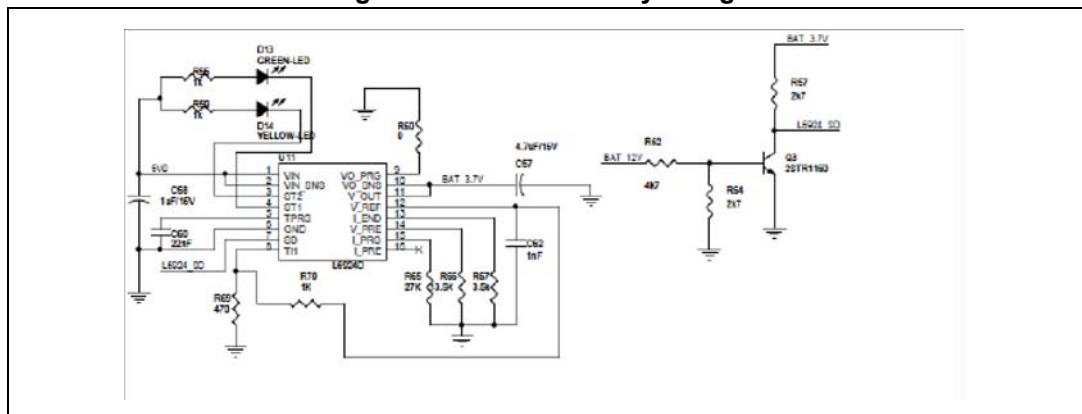


Figure 15. Voltage regulators

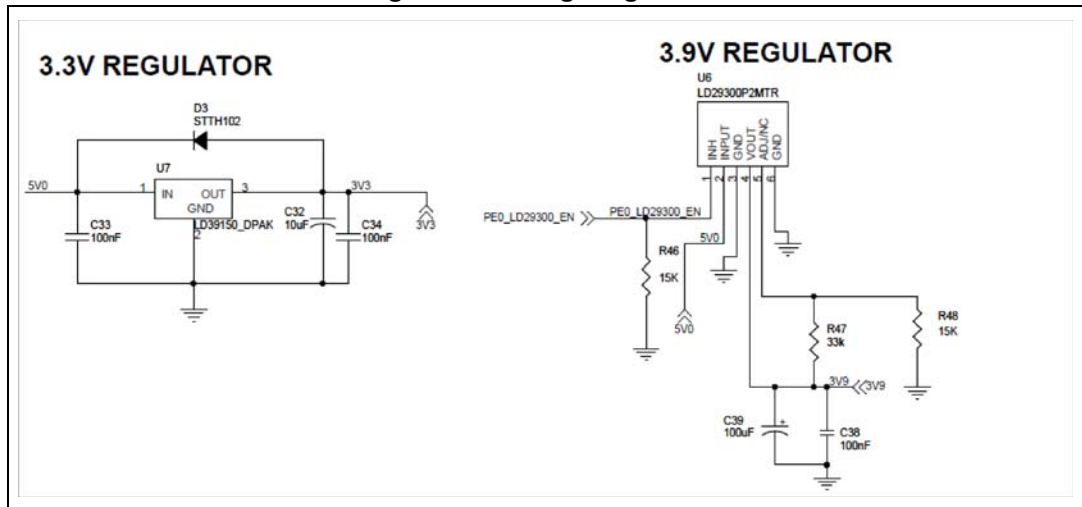


Figure 16. Gyroscope section

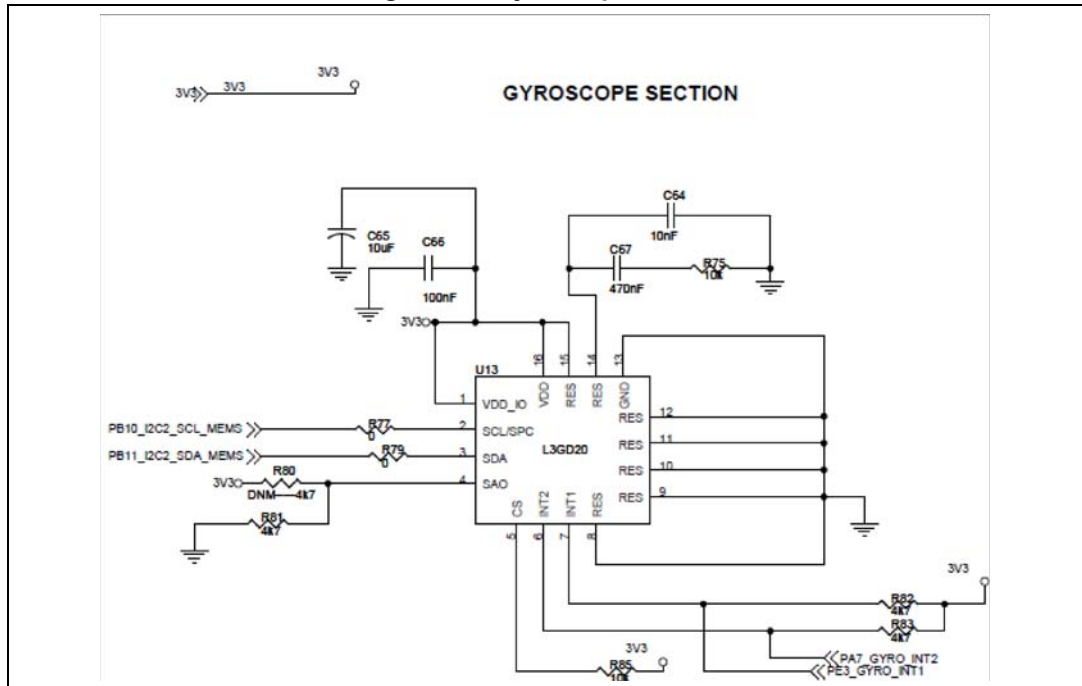


Figure 17. Temperature sensor

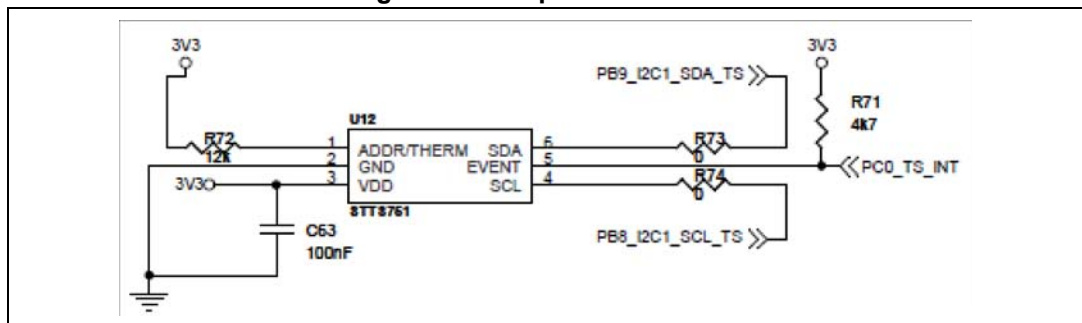


Figure 18. Accelerometer section

