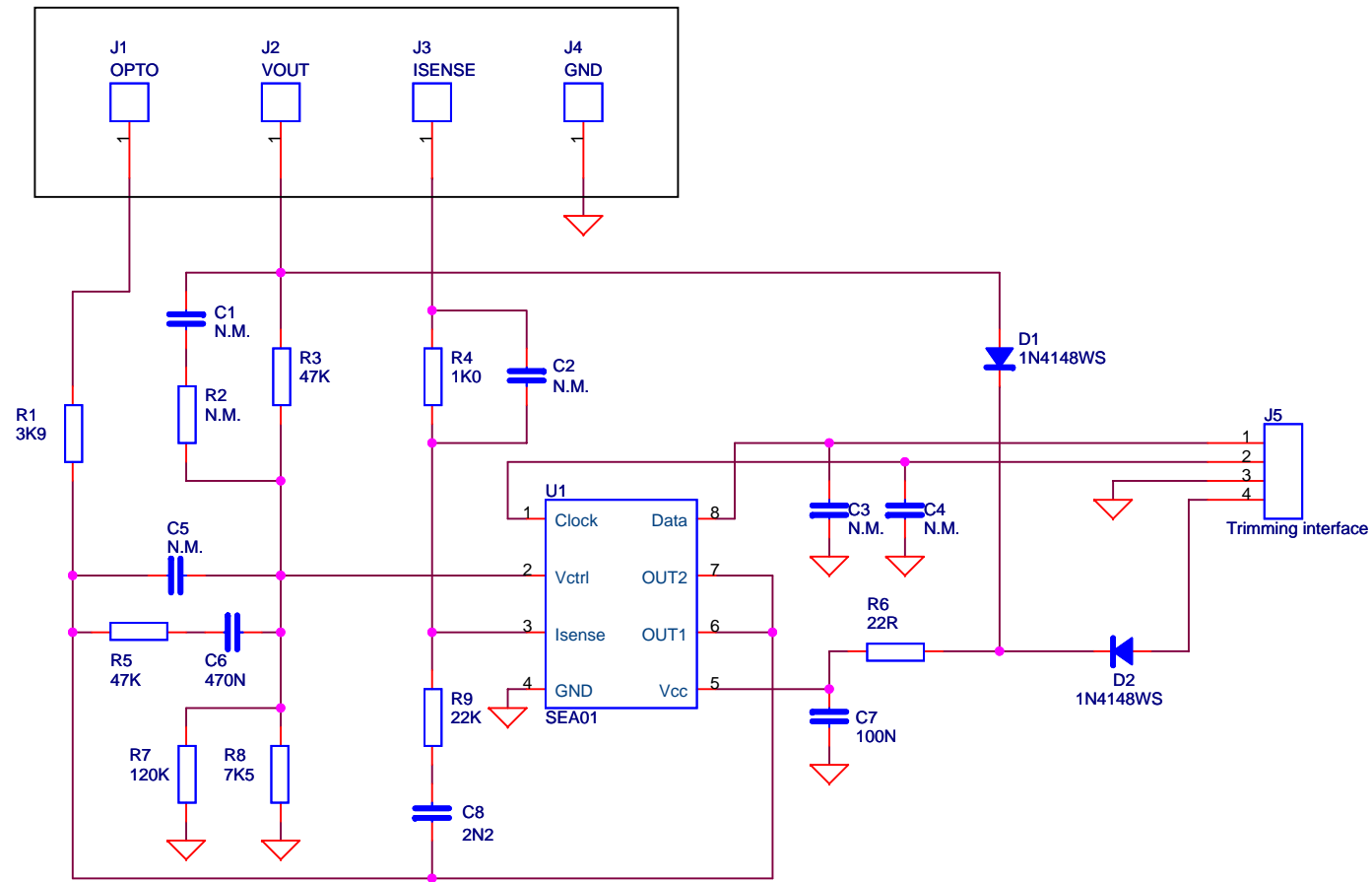


90-264Vac

19V@3.42A

Title	<Title> STEVAL-ISA161V1	
Size	Document Number	Rev
A3	<Doc>	<Rev Code>
Date:	Tuesday, July 19, 2011	Sheet 1 of 1

Motherboard interface



Title		
<Title> STEVAL-ISA161V1		
Size	Document Number	Rev
A4	<Doc>	0.0
Date:	Tuesday, July 19, 2011	Sheet 1 of 1