

6

5

4

3

2

1

D

D

C

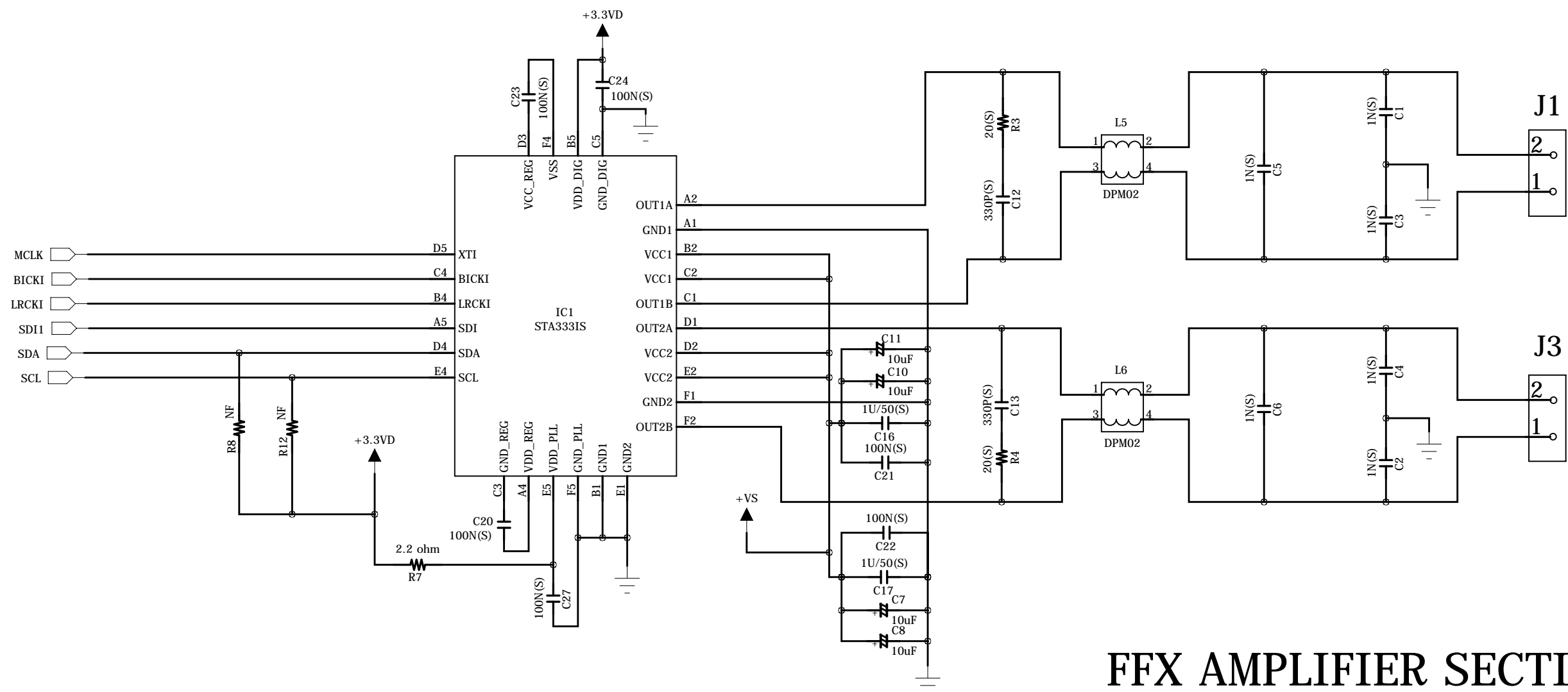
C

B

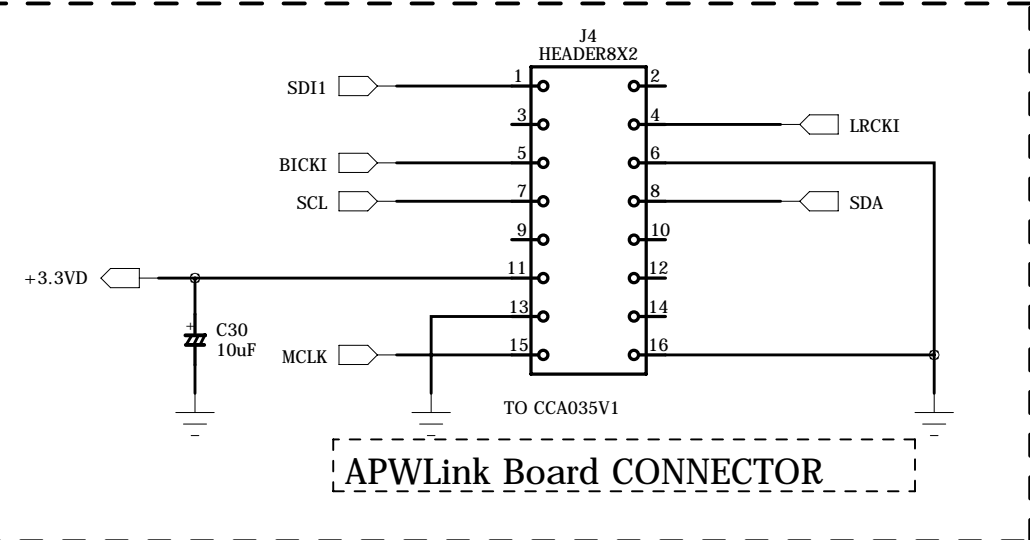
B

A

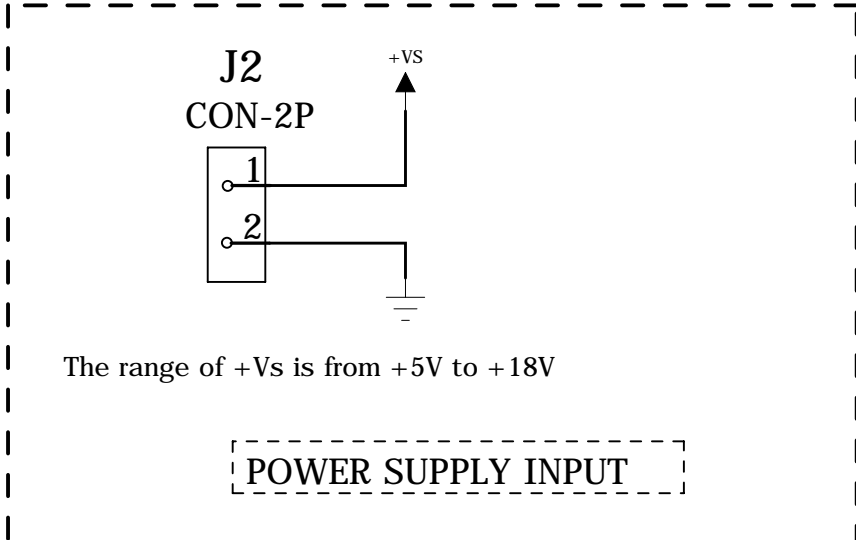
A



### FFX AMPLIFIER SECTION



### APWLink Board CONNECTOR



### POWER SUPPLY INPUT

COMPANY: ST <SZ> R&D AUDIO LAB

NO	DATE	REVISE	NO	DATE	REVISE	NO	DATE	REVISE	NO	DATE	REVISE	NO	DATE	REVISE	NO	DATE	REVISE	CHECKED	DRAWN

TITLE: STEVAL-CCA053V1	
DWG NO:	FILE NAME:
MODEL:	SCALE:
SHEET: 08 1	SIZE: