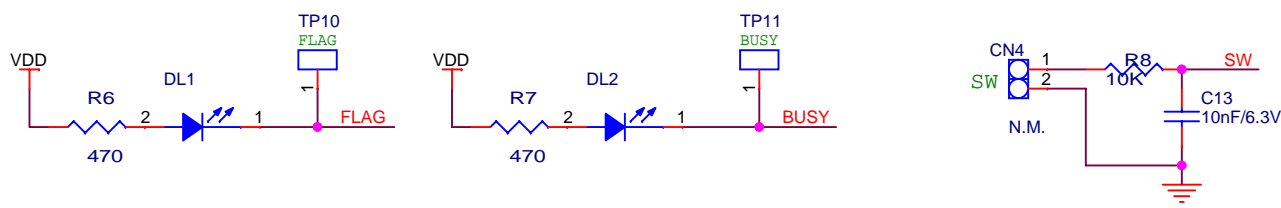
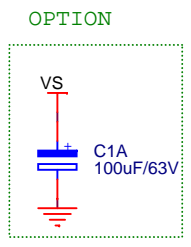
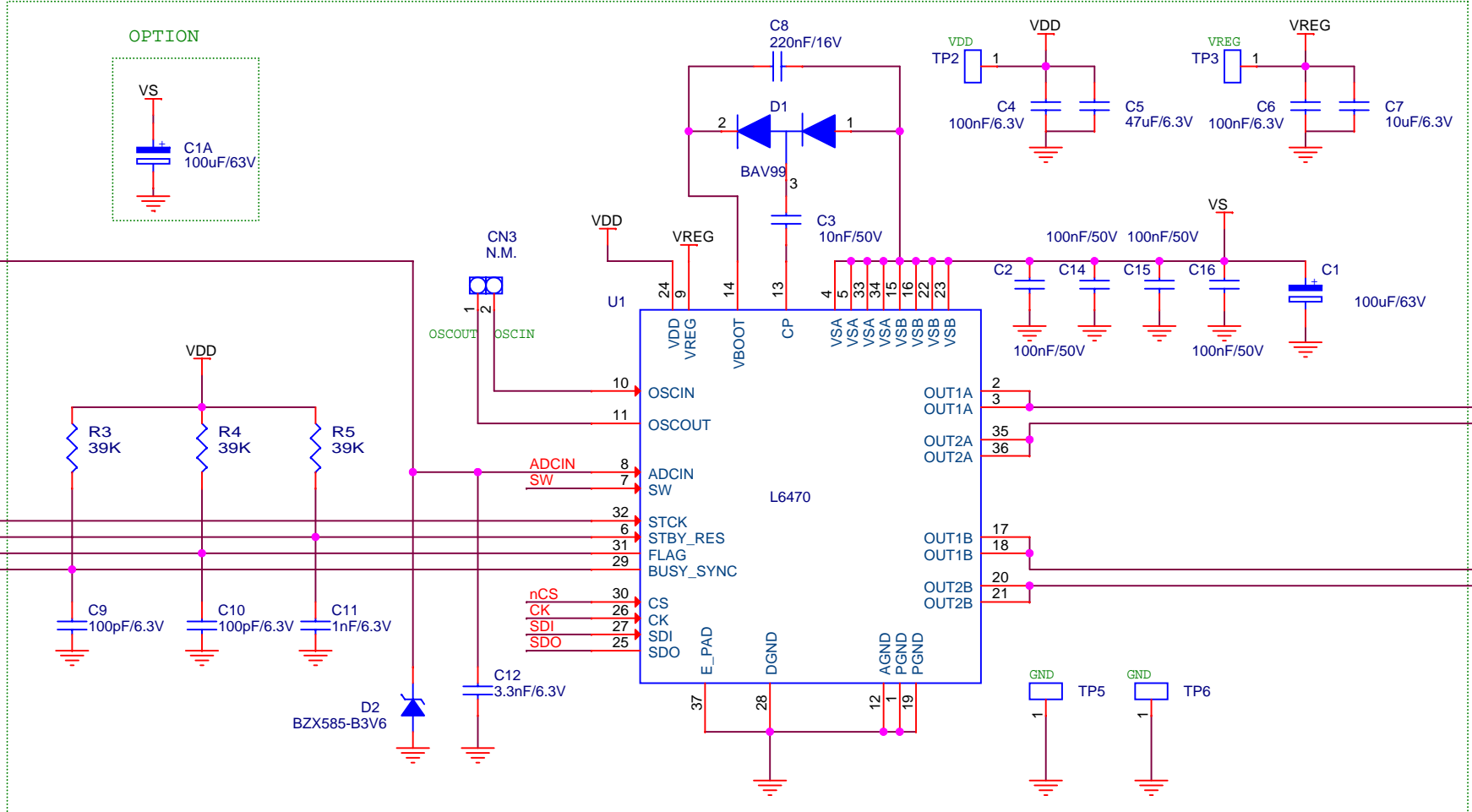


Application reference



Title		
L6470PD dSPIN Demonstration board.		
Size	Document Number	Rev
A4	EVAL6470PD	1.1
Date:	Wednesday, February 22, 2012	Sheet 1 of 1