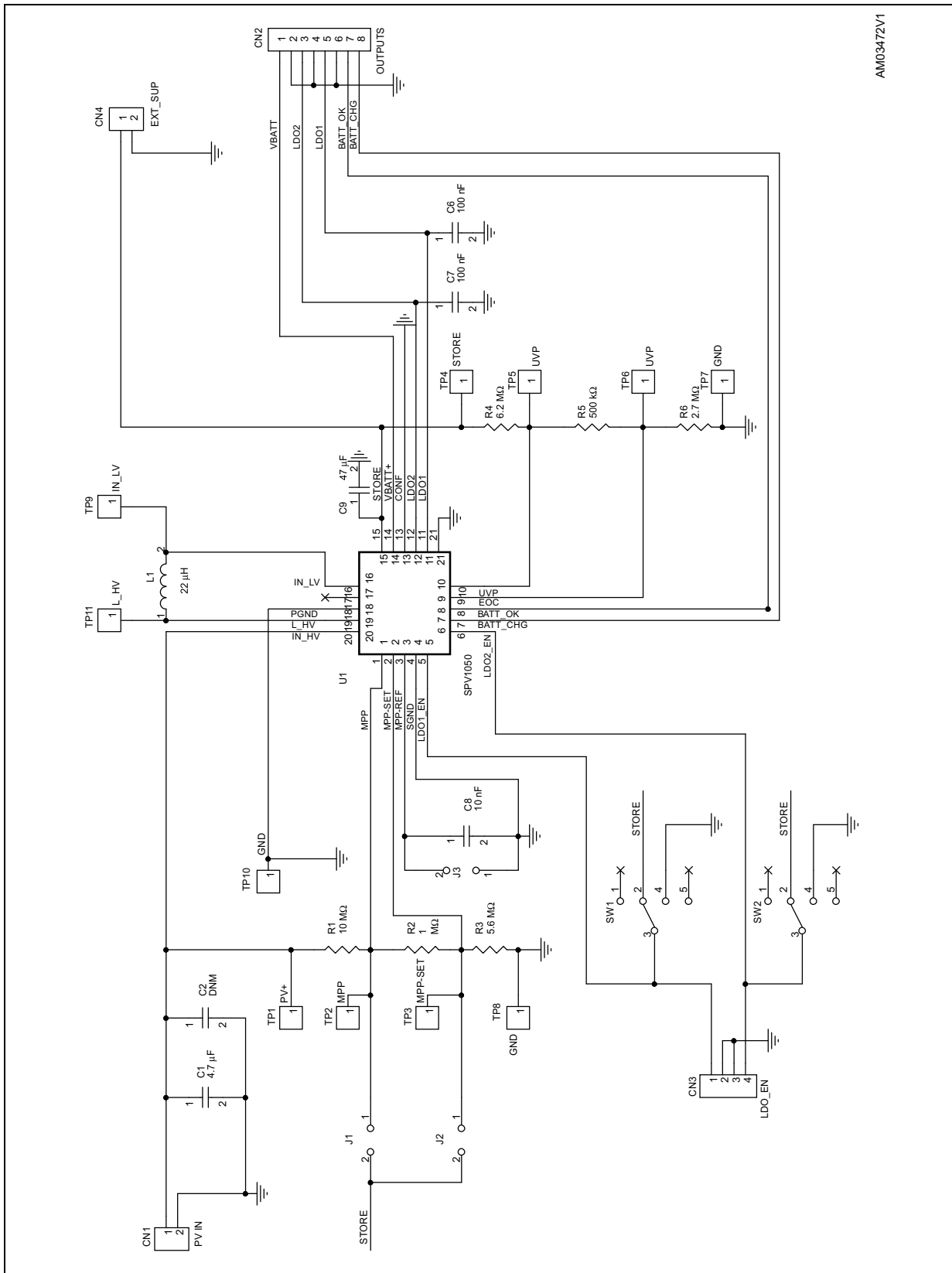


STEVAL-ISV020V1 schematic



AM03472V1