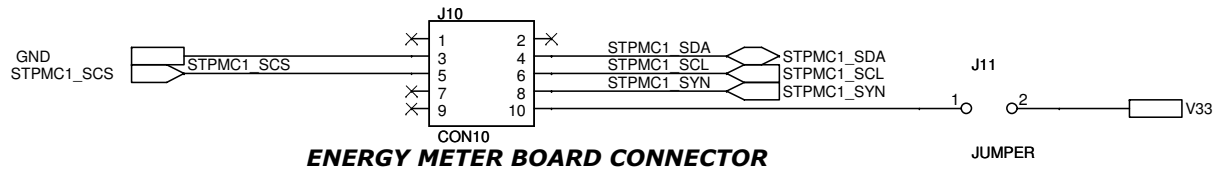
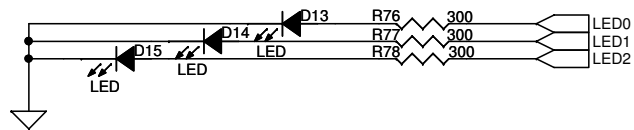
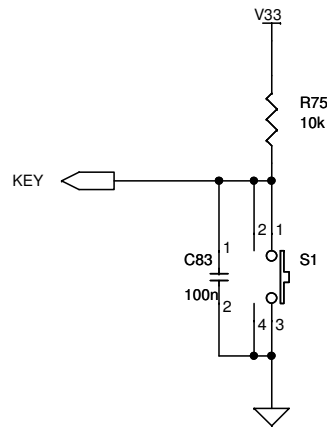
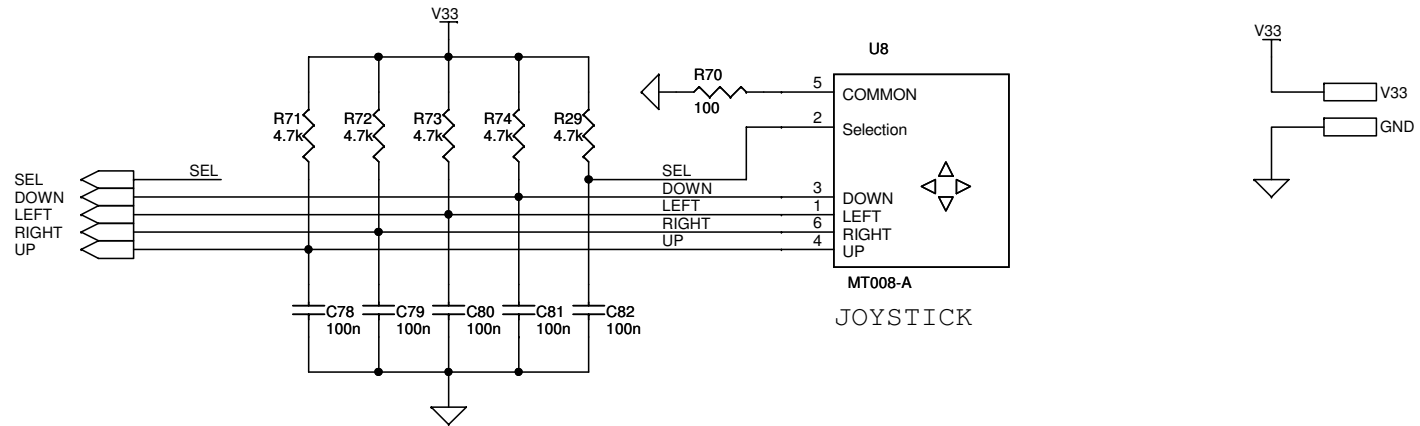


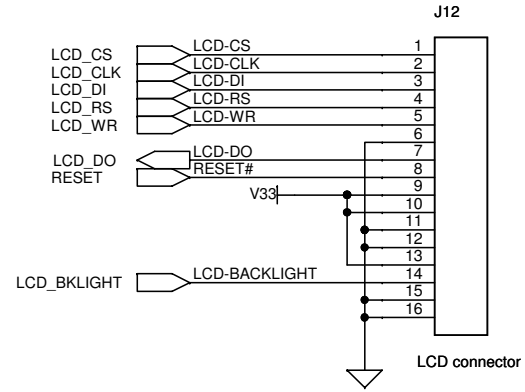
STEVAL-IPP002V1	
Title E-Meter Evaluation Board with PLM - Top	
Size A4	Document Number 1
Date: Thursday, January 13, 2011	Sheet 1 of 13
	Rev 1.1



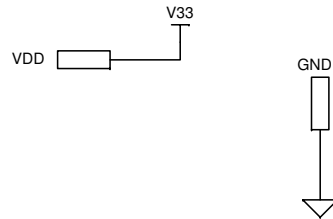
STEVAL - IPP002V1		
Title		
E-Meter Evaluation Board with PLM - ENERGY METER BOARD CONNECTOR		
Size	Document Number	Rev
A4	1	1.1
Date:	Thursday, January 13, 2011	Sheet 2 of 13



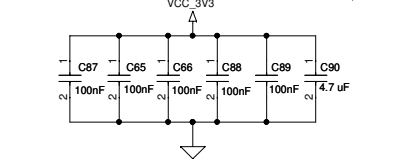
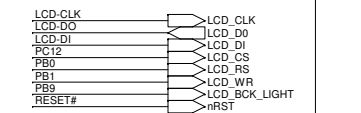
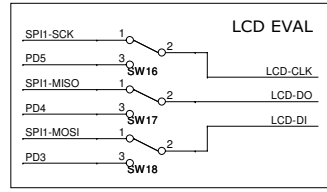
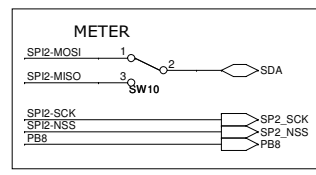
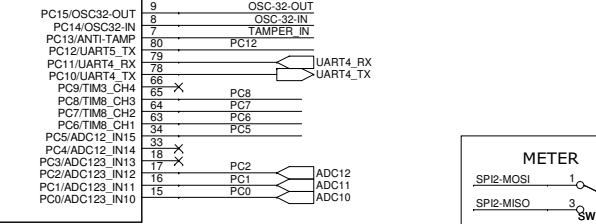
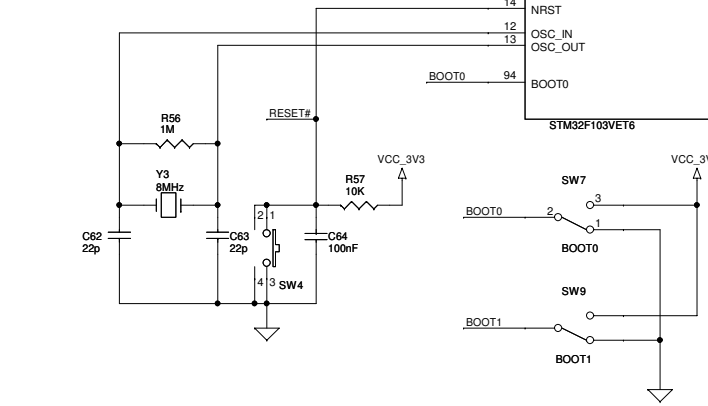
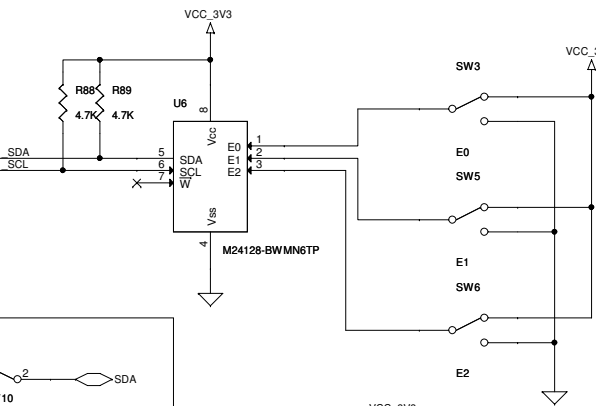
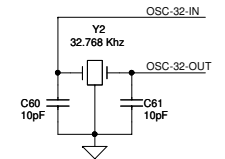
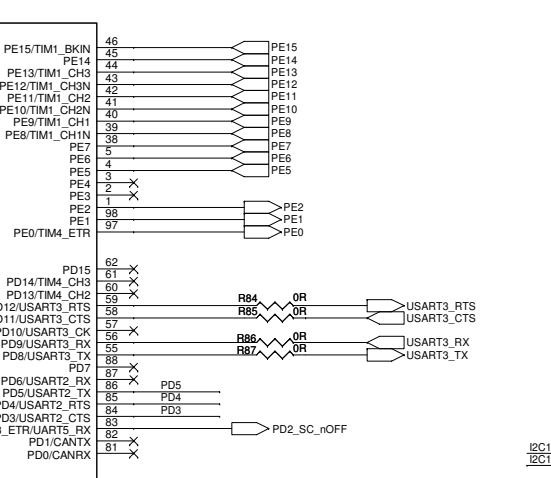
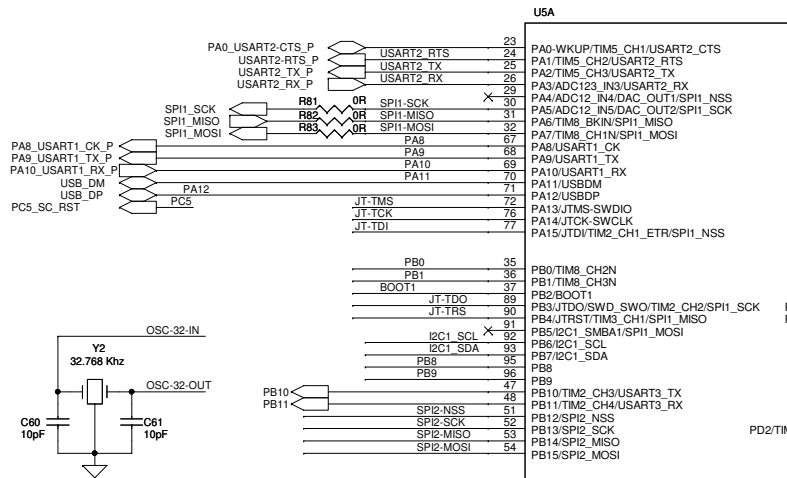
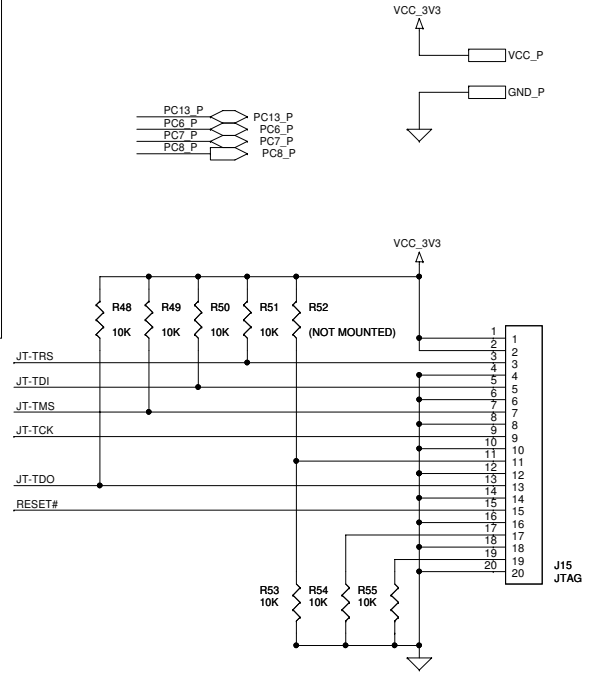
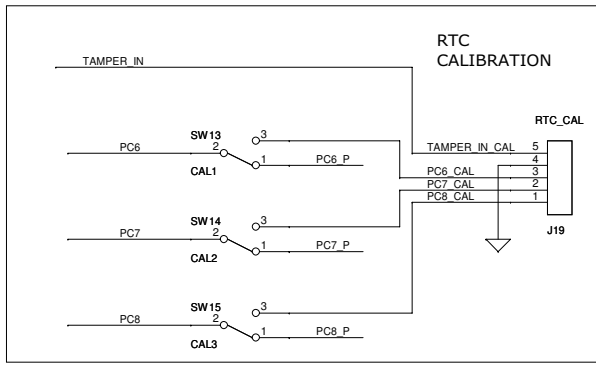
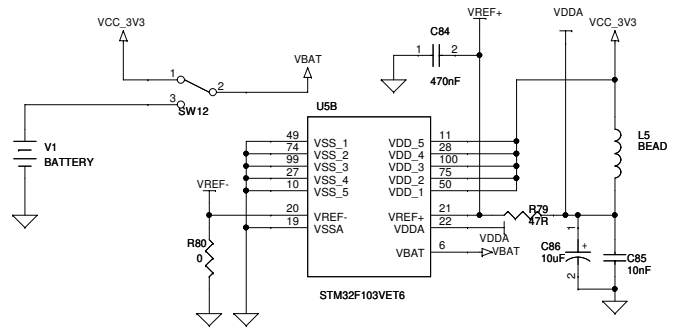
STEVAL-IPP002V1		
Title E-Meter Evaluation Board with PLM - JOYSTICK/LEDs		
Size A4	Document Number 1	Rev 1.1
Date:	Thursday, January 13, 2011	Sheet 3 of 13



LCD COLOR DISPLAY CONNECTORS



STEVAL-IPP002V1			
Title E-Meter Evaluation Board with PLM - LCD			
Size A4	Document Number 1		Rev 1.1
Date:	Thursday, January 13, 2011	Sheet	4 of 13



STEVAL-IPPO02V1		
Title E-Meter Evaluation Board with PLM - MCU		
Size A3	Document Number 1	Rev 1.1
Date: Thursday, January 13, 2011	Sheet 5	of 13

5

4

3

2

1

D

D

C

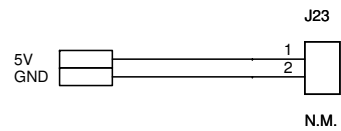
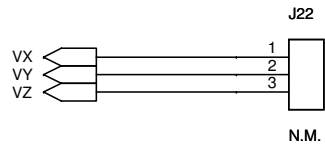
C

B

B

A

A



STEVAL-IPP002V1	
Title E-Meter Evaluation Board with PLM - MEMS	
Size A4	Document Number 1
Date: Thursday, January 13, 2011	Rev 1.1
Sheet 6	of 13

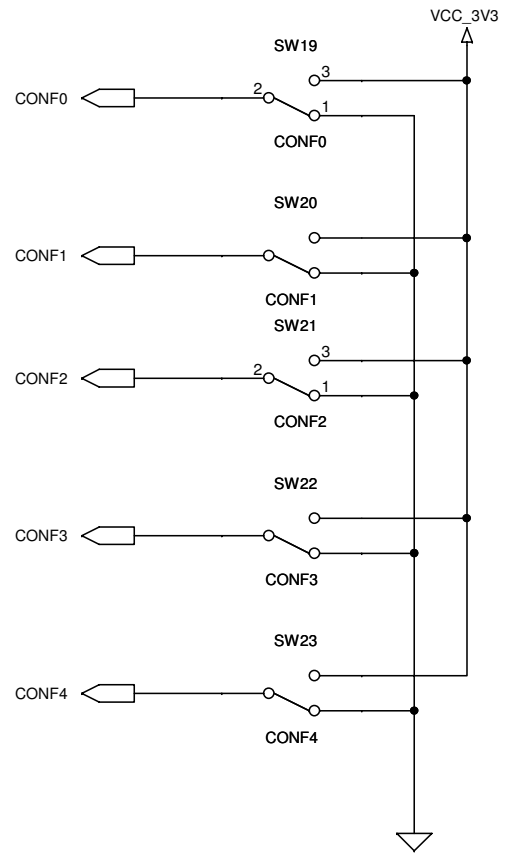
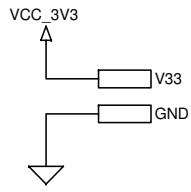
5

4

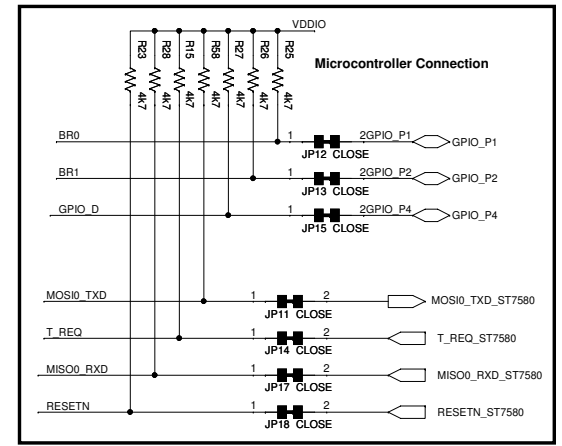
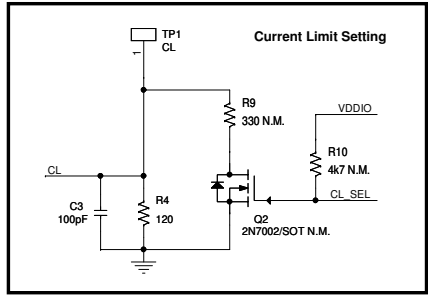
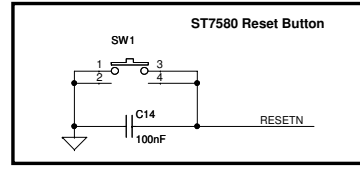
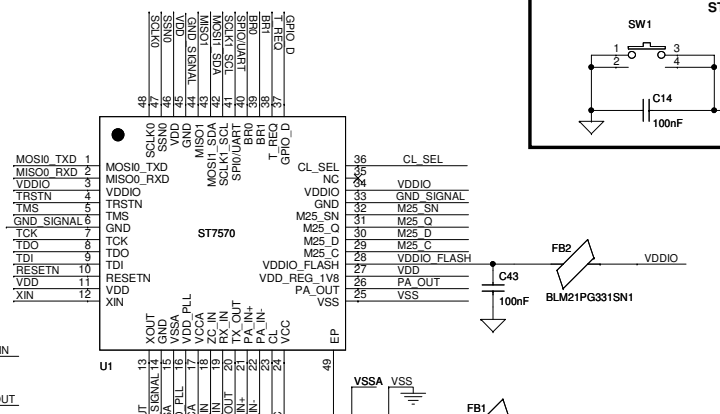
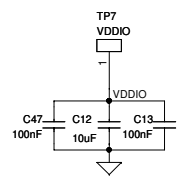
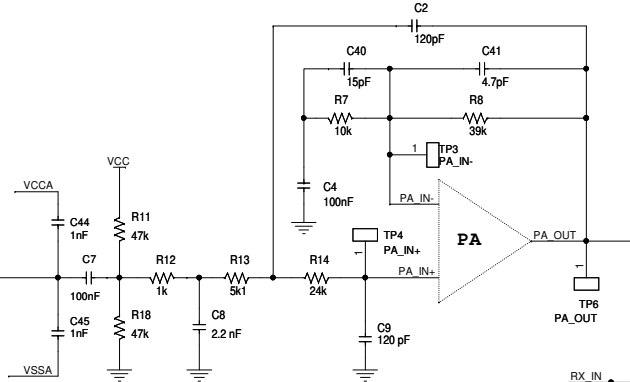
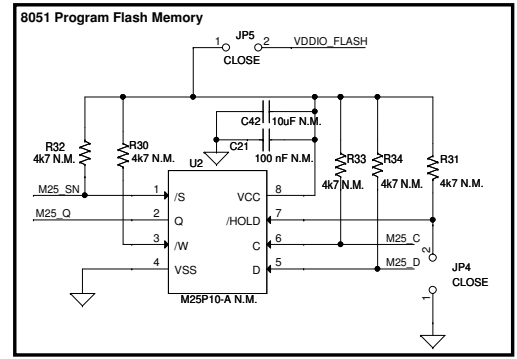
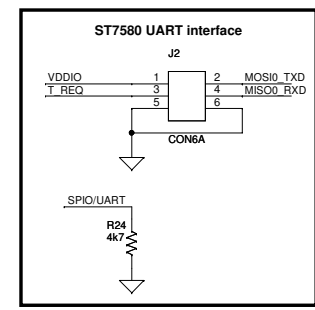
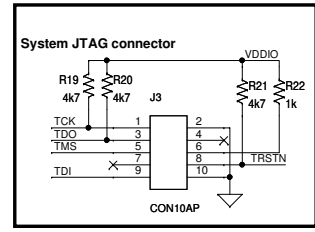
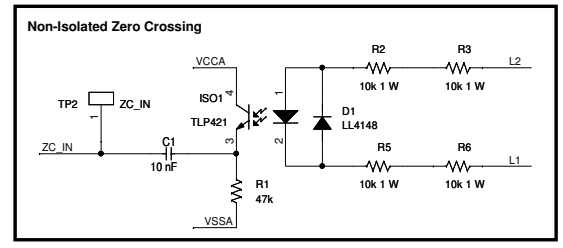
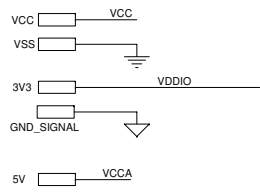
3

2

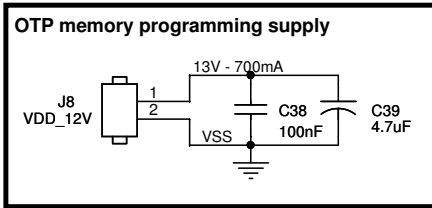
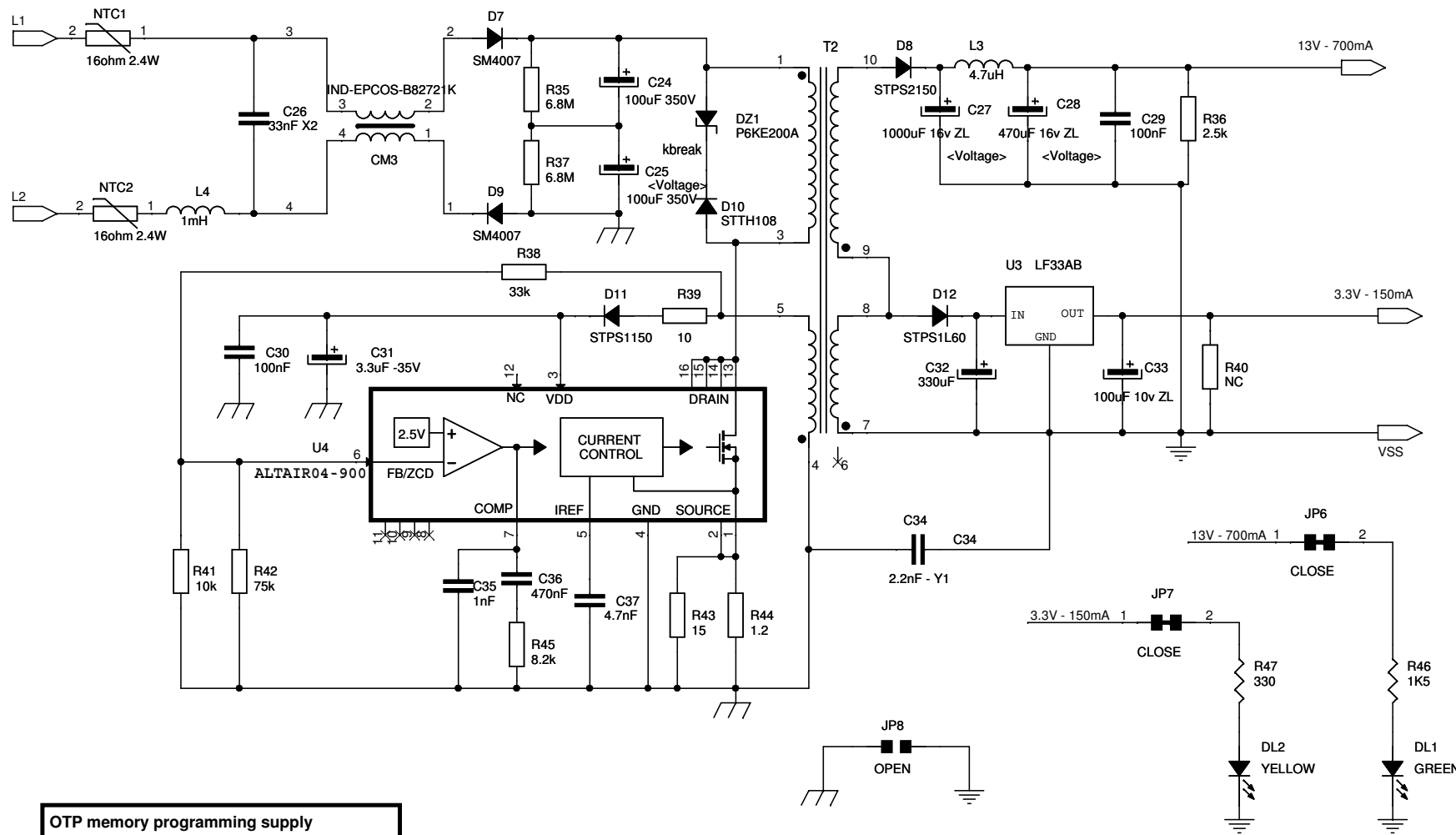
1



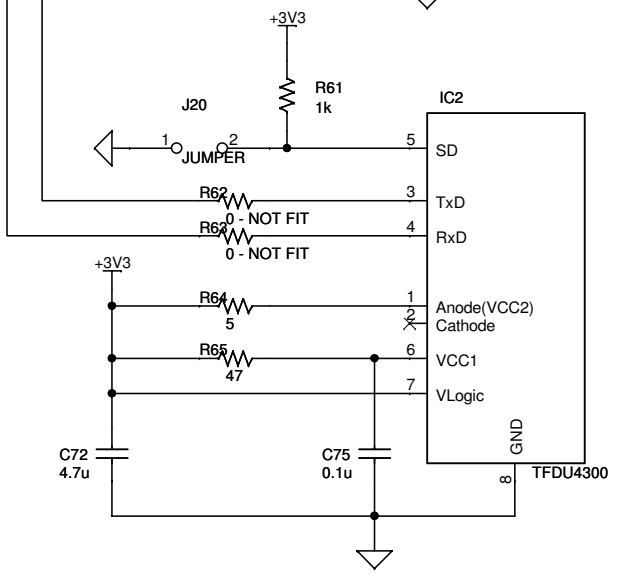
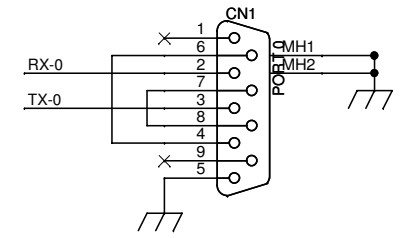
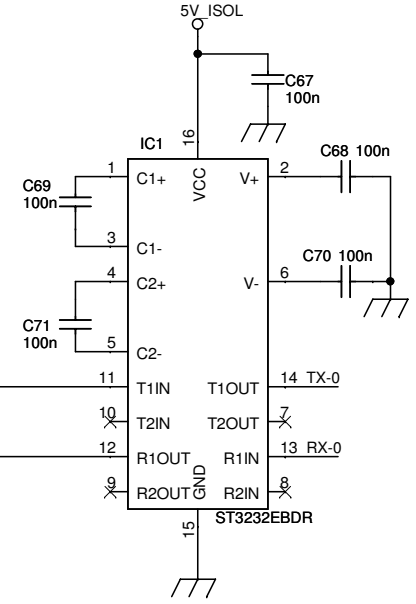
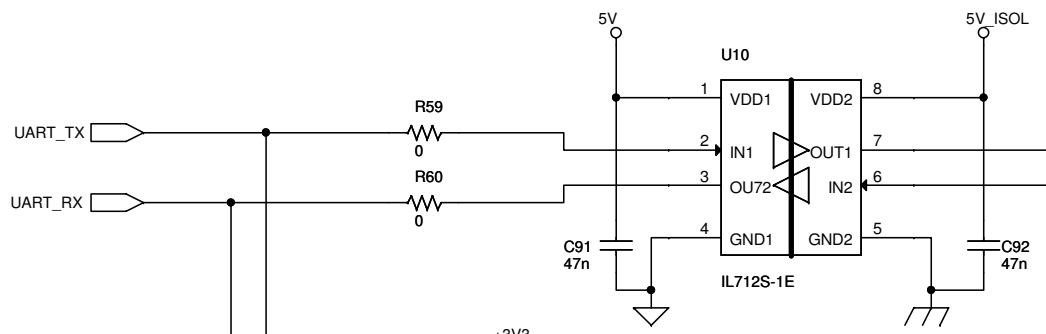
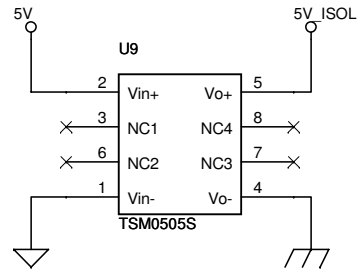
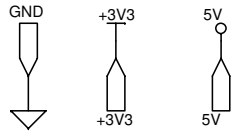
STEVAL - IPP002V1		
Title		
E-Meter Evaluation Board with PLM - Mode Configuration		
Size	Document Number	Rev
A4	1	1.1
Date:	Thursday, January 13, 2011	Sheet 7 of 13



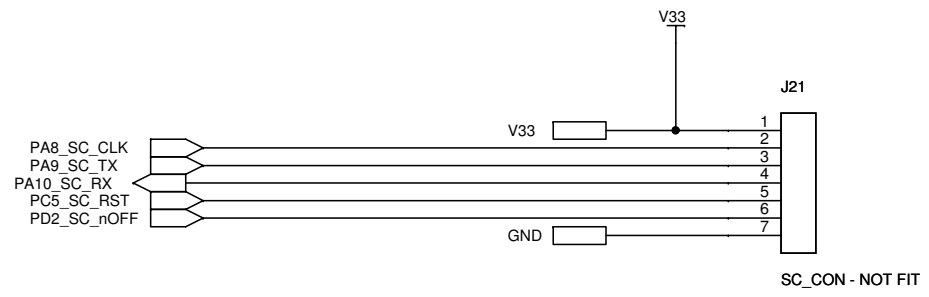
STEVAL-IPPO02V1		
Title E-Meter Evaluation Board with PLM - PLM		
Size A3	Document Number 1	Rev 1.1
Date Monday, February 21, 2011	Sheet 8	of 13



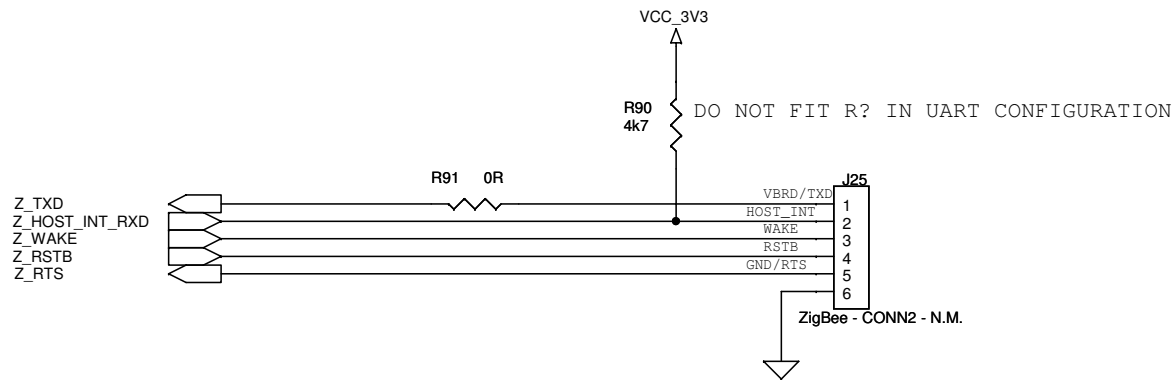
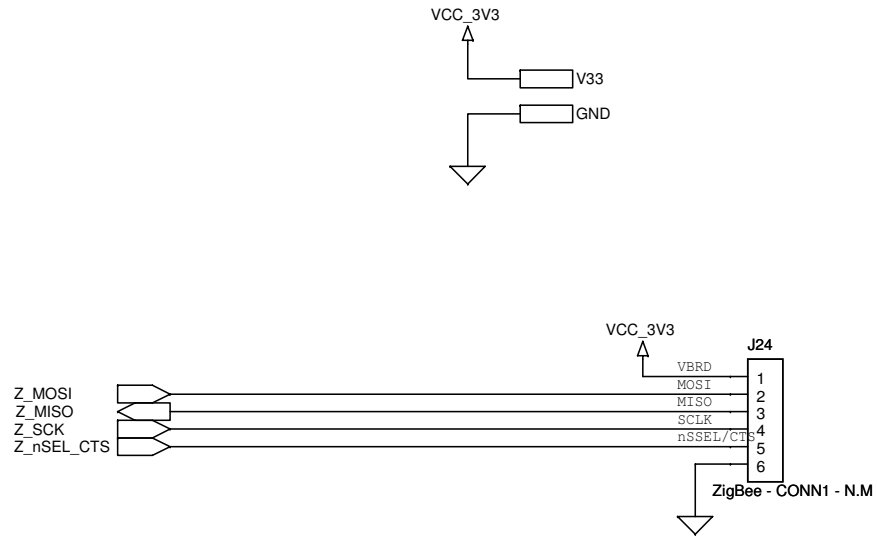
STEVAL-IPP002V1		
Title E-Meter Evaluation Board with PLM - Power Supply		
Size A4	Document Number 1	Rev 1.1
Date: Thursday, January 13, 2011	Sheet 9	of 13



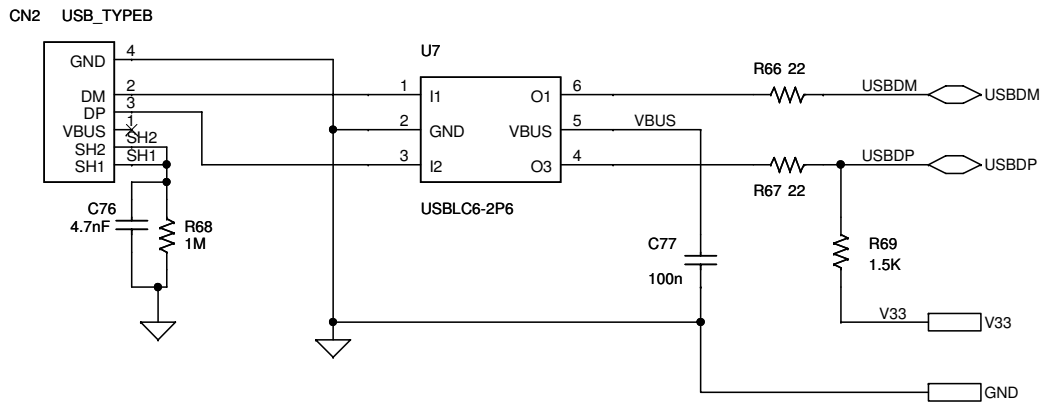
STEVAL-IPP002V1		
Title E-Meter Evaluation Board with PLM - RS232/IRDA		
Size A4	Document Number 1	Rev 1.1
Date: Thursday, January 13, 2011	Sheet 10	of 13



STEVAL-IPP002V1		
Title		
E-Meter Evaluation Board with PLM - SC INTERFACE/USER INPUTS		
Size	Document Number	Rev
A4	1	1.1
Date:	Thursday, January 13, 2011	Sheet 11 of 13



STEVAL - IPP002V1		
Title		
E-Meter Evaluation Board with PLM - ZigBee Module		
Size	Document Number	Rev
A4	1	1.1
Date:	Thursday, January 13, 2011	Sheet 12 of 13



STEVAL-IPP002V1	
Title E-Meter Evaluation Board with PLM - USB	
Size A4	Document Number 1
Date: Thursday, January 13, 2011	Rev 1.1
Sheet 13 of 13	