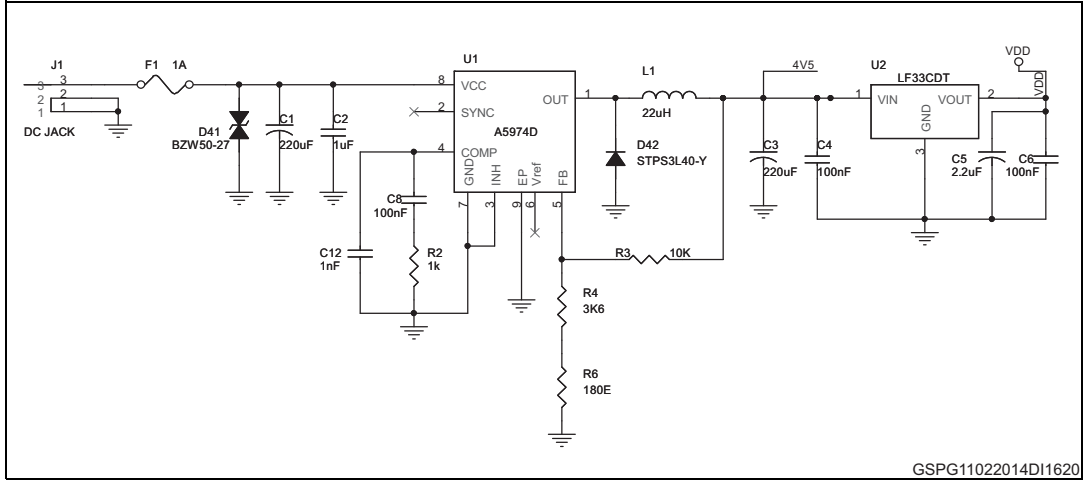


STEVAL-ILL059V1

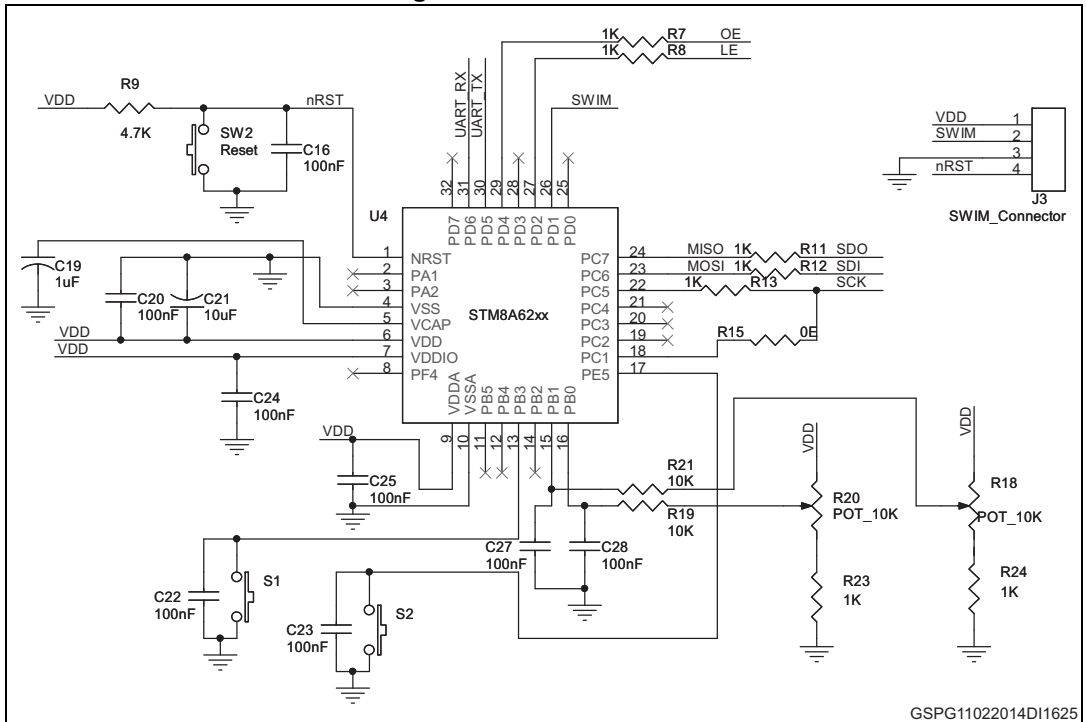
Schematic diagrams

Figure 1. Power section



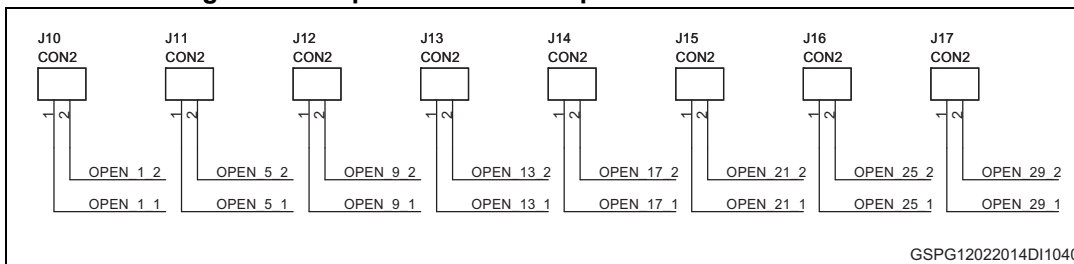
GSPG11022014DI1620

Figure 2. Microcontroller



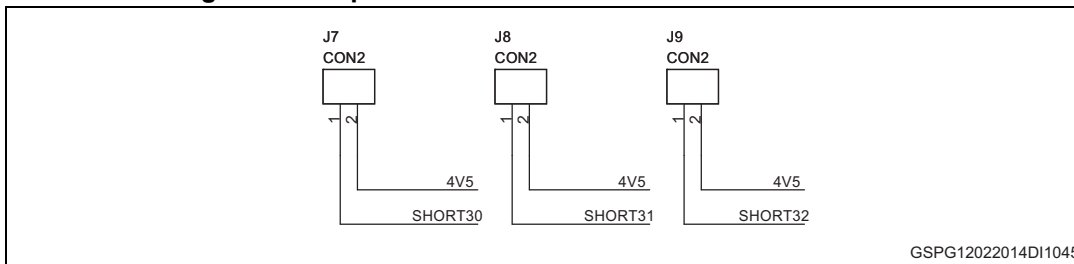
GSPG11022014DI1625

Figure 3. Jumpers to simulate open circuit error detection



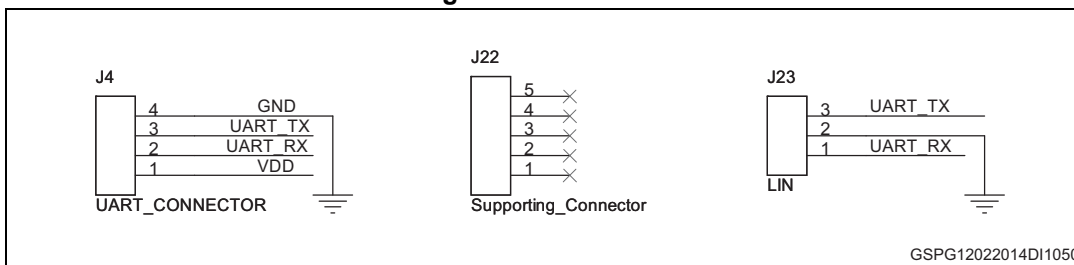
GSPG12022014DI1040

Figure 4. Jumpers to simulate short circuit error detection



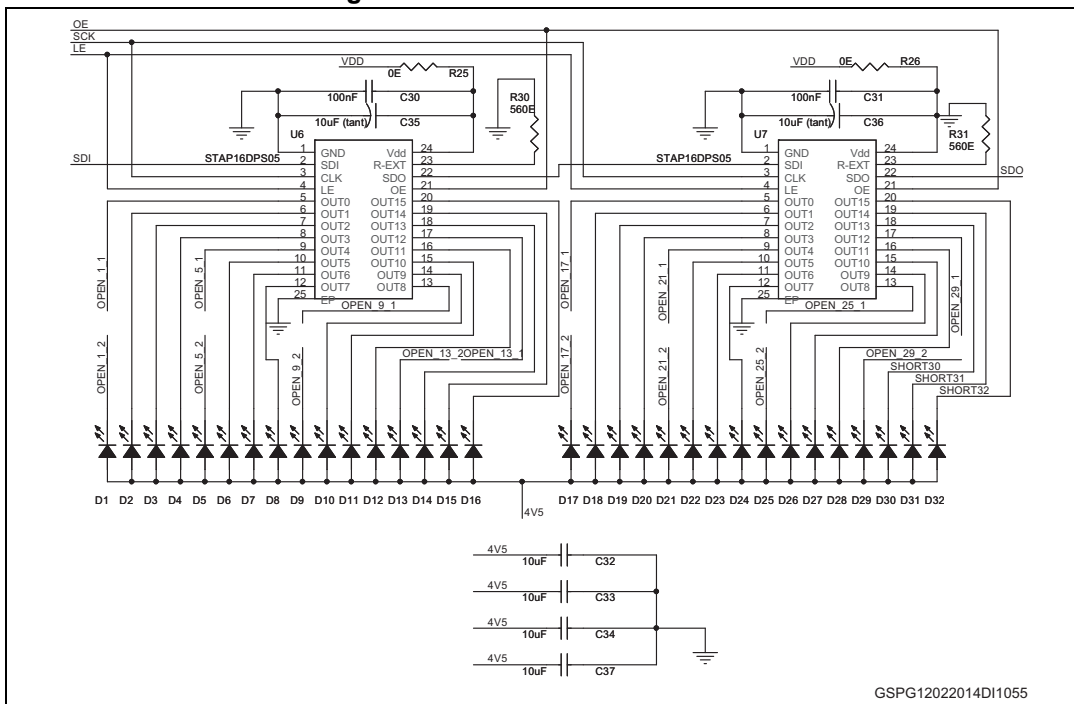
GSPG12022014DI1045

Figure 5. Connector



GSPG12022014DI1050

Figure 6. LED driver STAP16DPS05



GSPG12022014DI1055

Figure 7. USB section

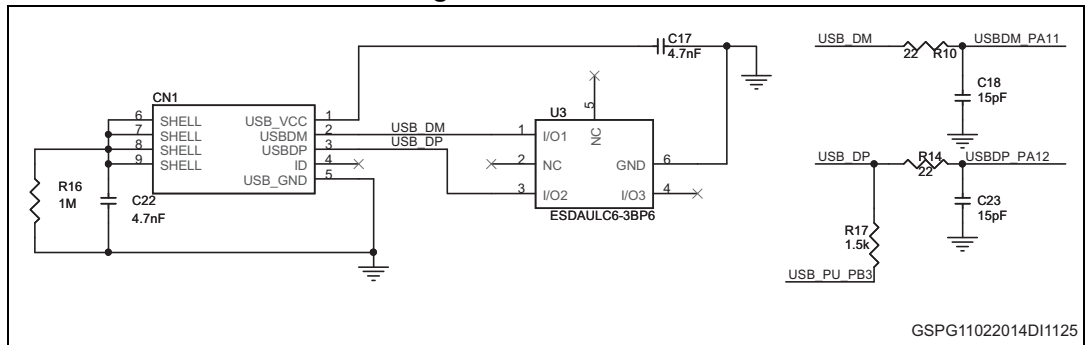


Figure 8. STM32 section

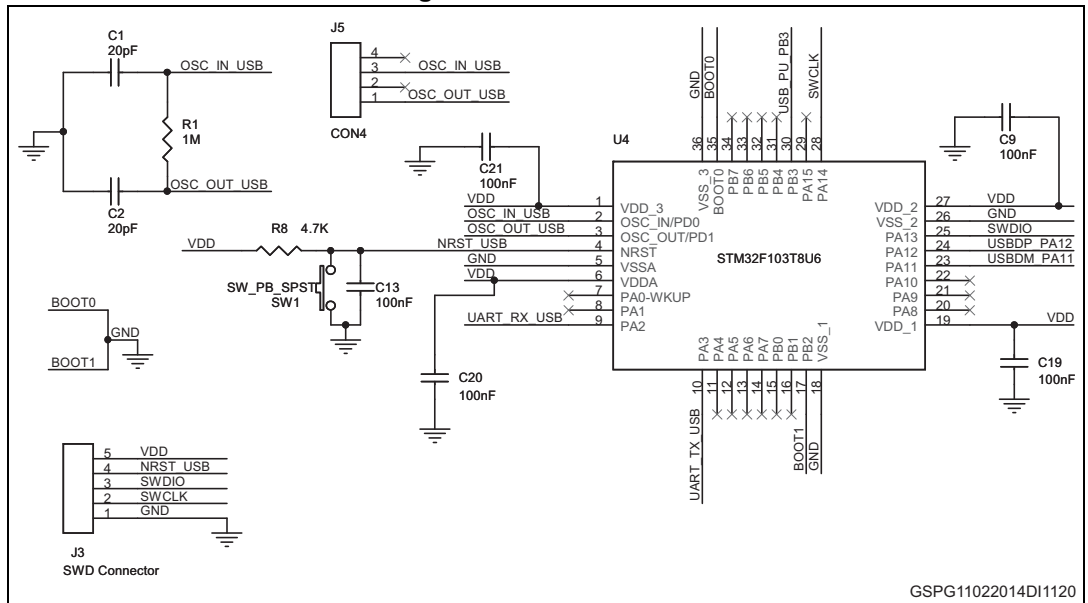


Figure 9. USB_UART connector

