

STEVAL-IDI003V2

Schematic diagrams

Figure 1: STEVAL-IDI003V2 circuit schematic (1 of 5)

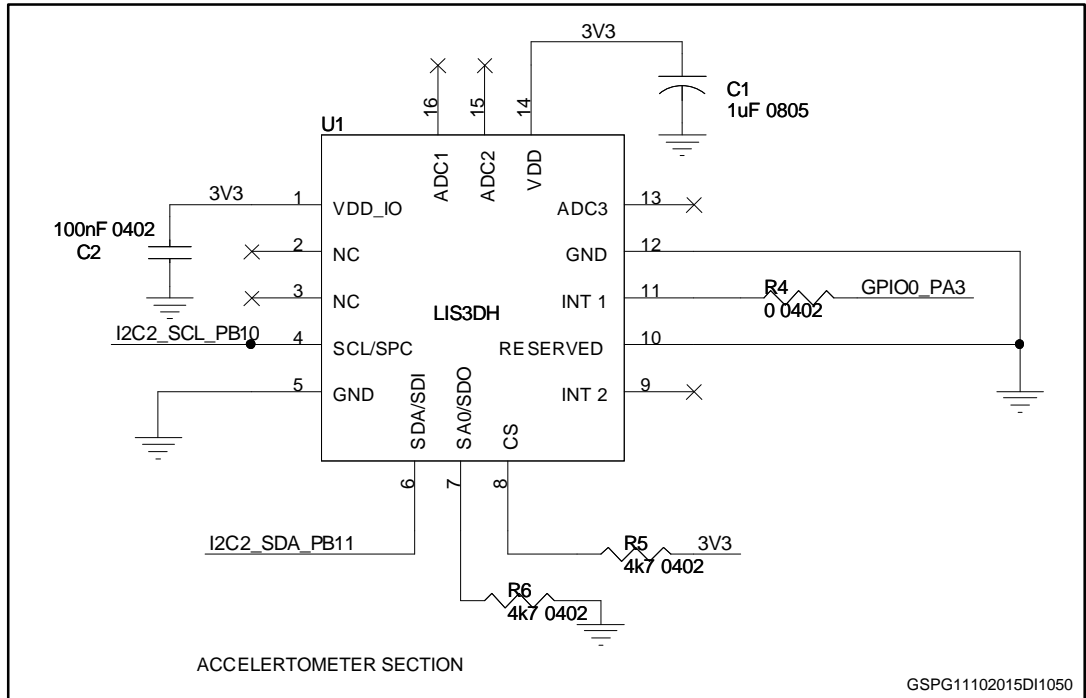


Figure 2: STEVAL-IDI003V2 circuit schematic (2 of 5)

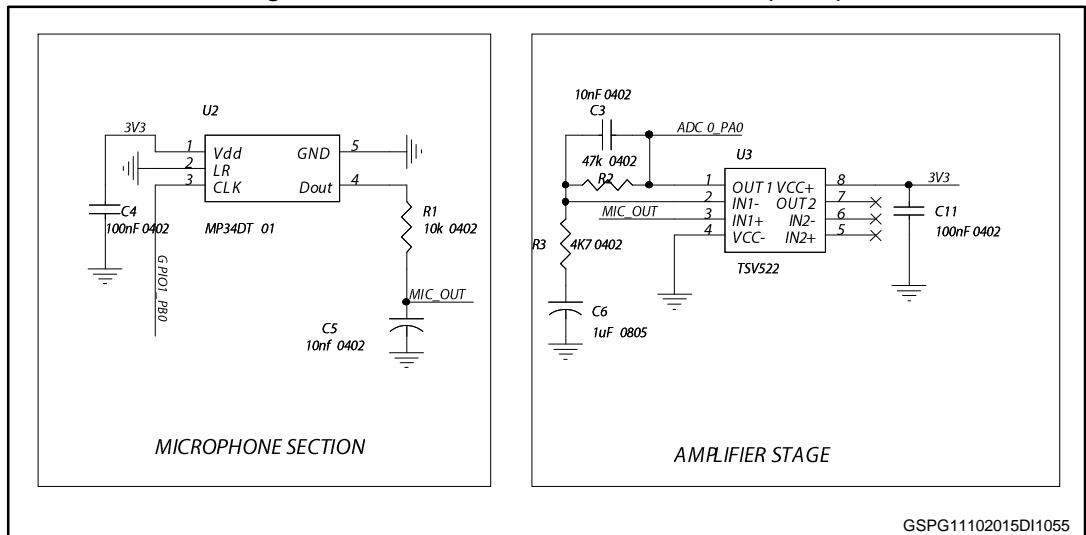


Figure 3: STEVAL-IDI003V2 circuit schematic (3 of 5)

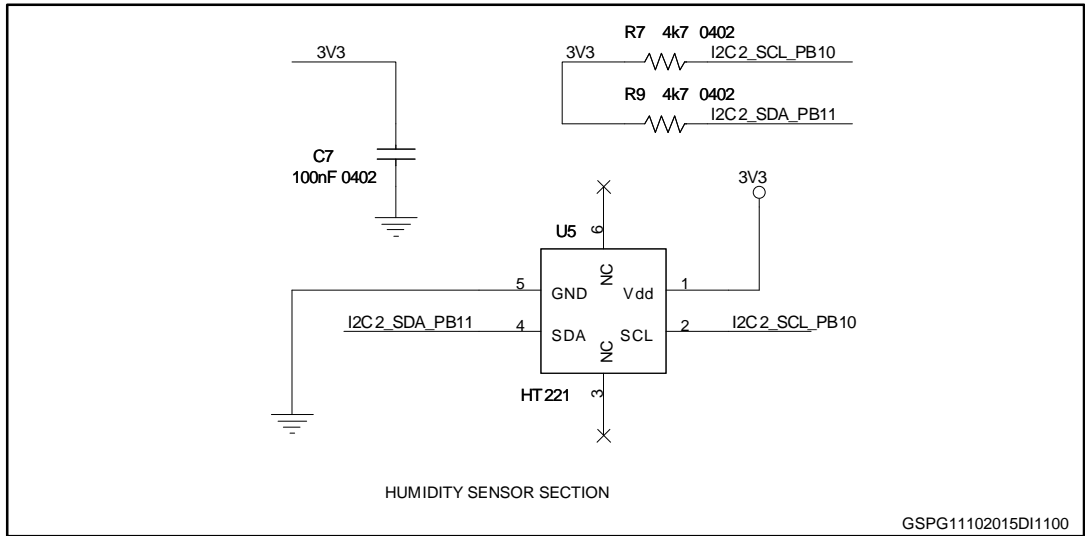


Figure 4: STEVAL-IDI003V2 circuit schematic (4 of 5)

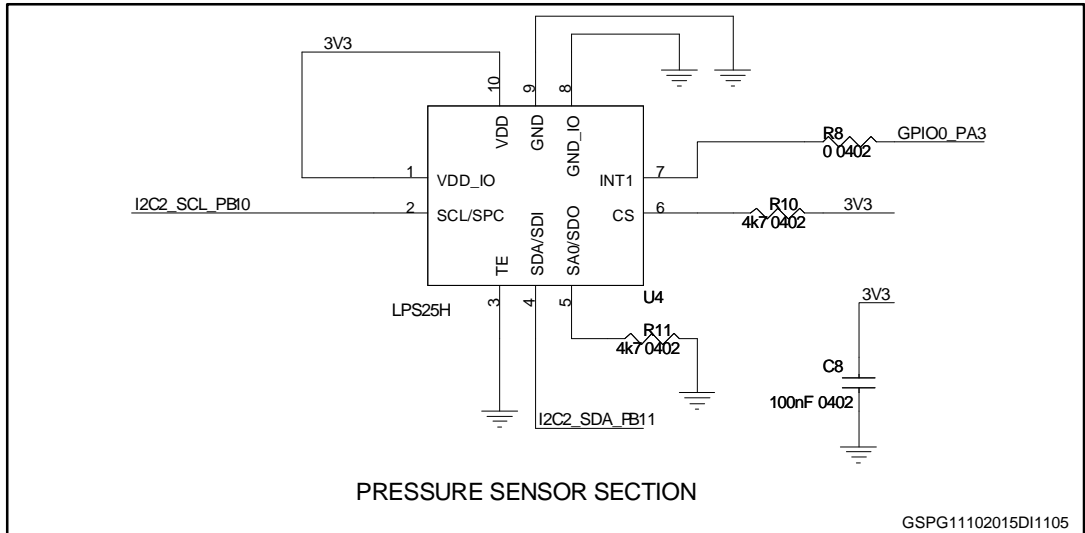
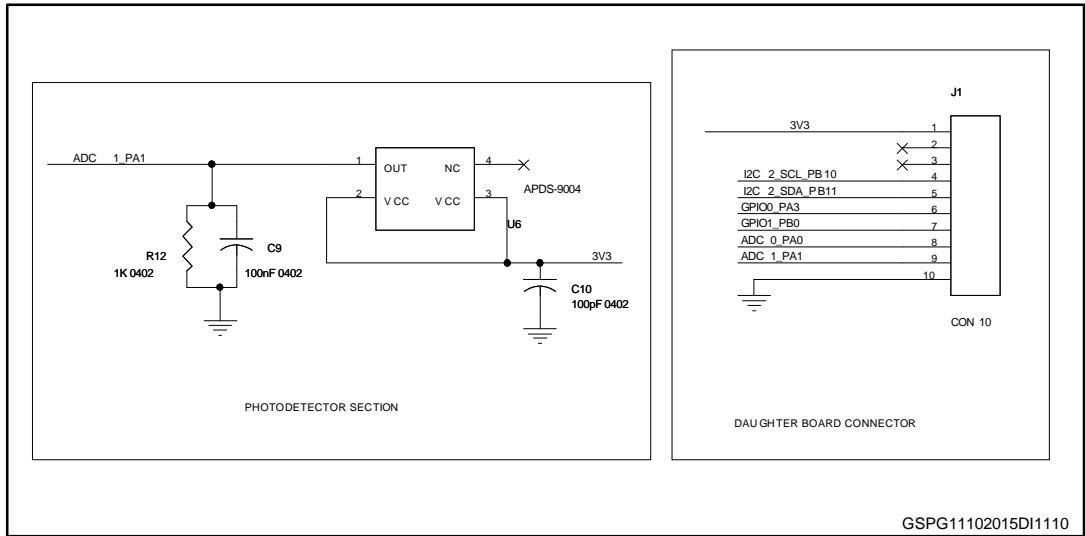


Figure 5: STEVAL-IDI003V2 circuit schematic (5 of 5)



GSPG11102015DI1110