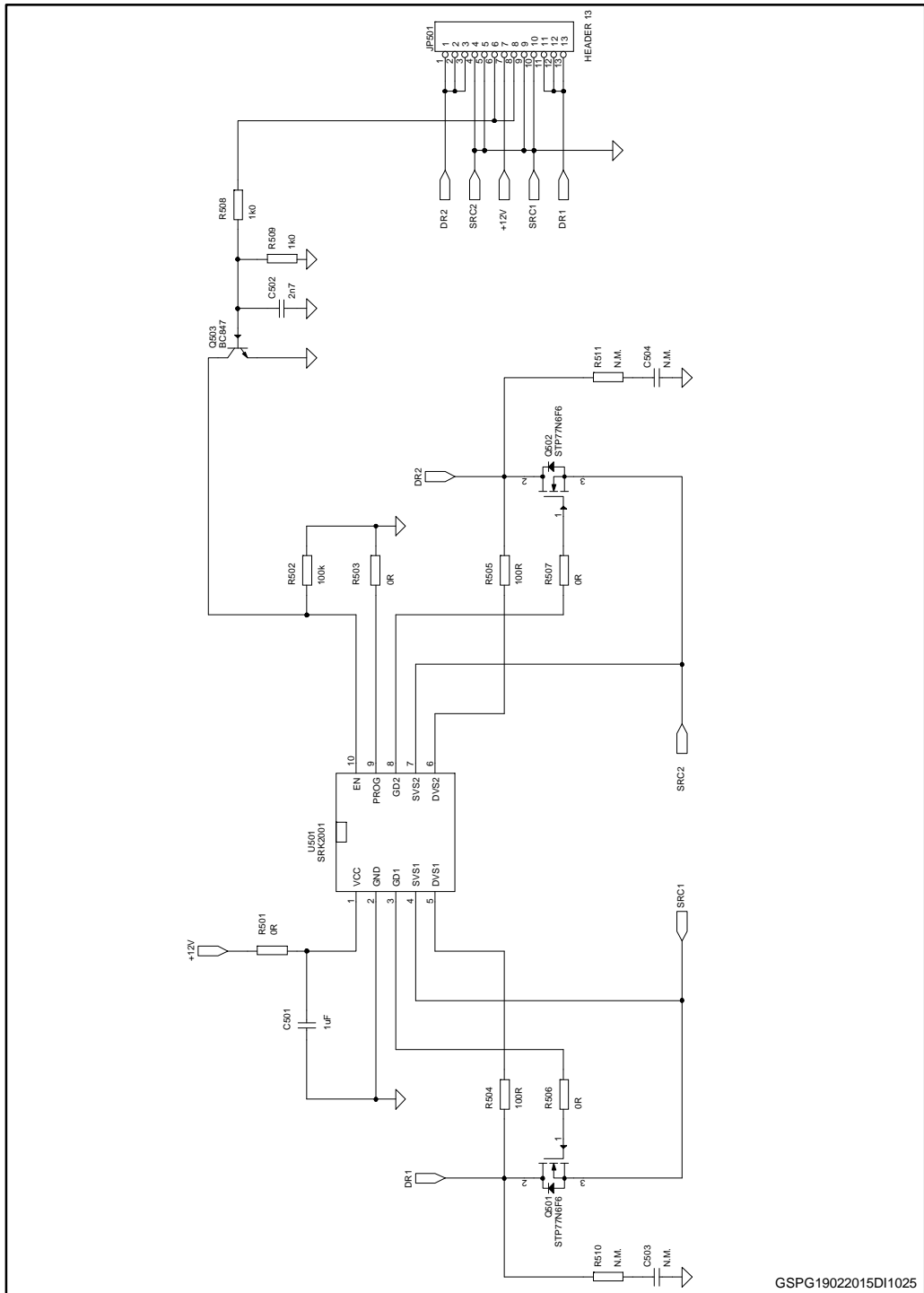


# STEVAL-ISA166V1

# Schematic diagram



GSPG19022015DI1025