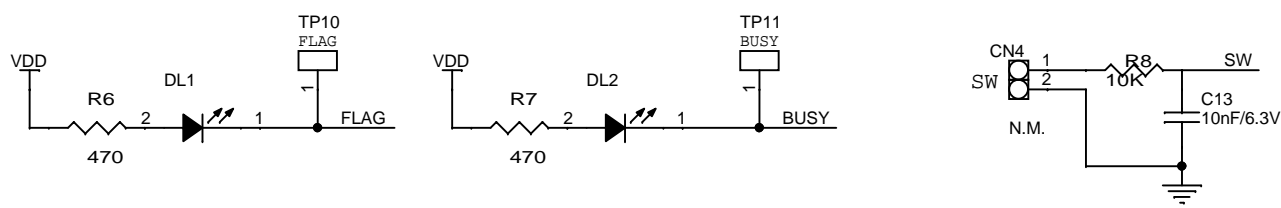
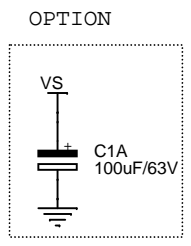
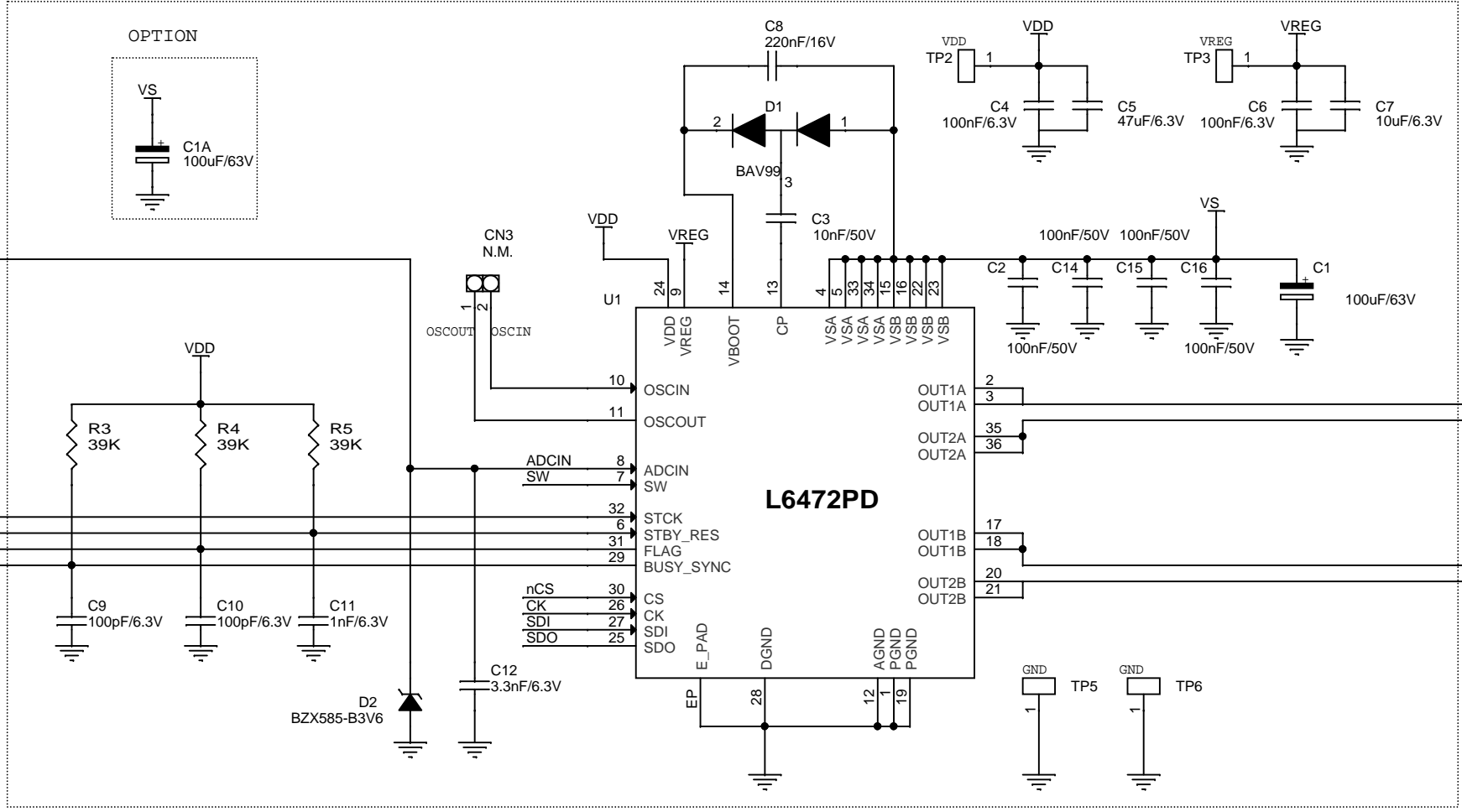


Application reference



Title		
L6472PD dSPIN Demonstration board.		
Size	Document Number	Rev
A4	EVAL6472PD	1
Date:	Tuesday, April 03, 2012	Sheet 1 of 1